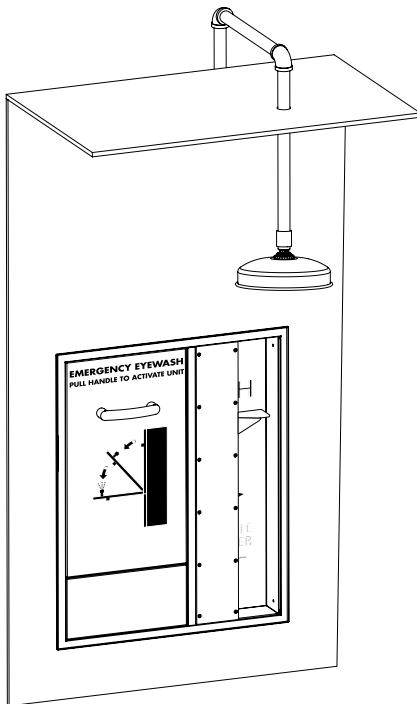


# Installation

**S19345HXB, S19345HXBT,  
S19345HXD, S19345HFB,  
S19345HFBT, S19345HFD  
S19345JXB, S19345JXBT,  
S19345JXD, S19345JFB,  
S19345JFBT, S19345JFD**

**Barrier Free Recess-Mounted Drench  
Shower with Barrier Free Cabinet-  
Concealed Swing-Down Eyewash or  
Eye/Face Wash**

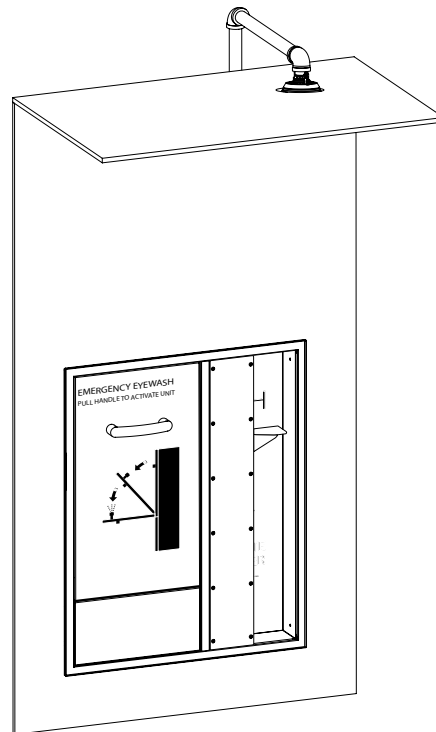


**S19345HXB / S19345JXB  
S19345HXBT / S19345JXBT  
S19345HXD / S19345JXD**

**S19345HFB / S19345JFB  
S19345HFBT / S19345JFBT  
S19345HFD / S19345JFD**



**Read the instructions in this manual before  
beginning installation. Save these instructions  
and refer to them for inspection, maintenance  
and troubleshooting information.**



## Table of Contents

Safety Information . . . . .	3
Dimensions (Eyewash) . . . . .	4
Dimensions (Eye/Face Wash) . . . . .	5
Rough-In Specifications . . . . .	6
Installation . . . . .	7–8
Components and Parts List—Drench Shower . . . . .	9
Components—Eyewash . . . . .	10–11
Parts List—Eyewash . . . . .	11
Components—Eye/Face Wash . . . . .	12–13
Parts List—Eye/Face Wash . . . . .	13
Renseignements de sécurité . . . . .	14
Dimensions (douche oculaire) . . . . .	15
Dimensions (douche oculaire/ faciale) . . . . .	16
Spécifications de mise en place des tuyauteries . . . . .	17
Instructions d’installation . . . . .	18–19
Assemblage des composantes et liste des pièces—douche d’urgence . . . . .	20
Assemblage des composantes—douche oculaire . . . . .	21–22
Liste des pièces—douche oculaire . . . . .	22
Assemblage des composantes—douche oculaire/ faciale . . . . .	23–24
Liste des pièces—douche oculaire/ faciale . . . . .	24
Información de seguridad . . . . .	25
Dimensiones (lavador de ojos) . . . . .	26
Dimensiones (lavador de ojos/ rostro) . . . . .	27
Especificaciones para la colocación de las tuberías empotradas . . . . .	28
Instrucciones de instalación . . . . .	29–30
Montaje de los componentes y lista de piezas—ducha de alto flujo . . . . .	31
Montaje de los componentes—lavador de ojos . . . . .	32–33
Lista de piezas—lavador de ojos . . . . .	33
Montaje de los componentes—lavador de ojos/ rostro . . . . .	34–35
Lista de piezas—lavador de ojos/ rostro . . . . .	35

For questions regarding the operation, installation or maintenance of this product, visit [bradleycorp.com](http://bradleycorp.com) or call 800.BRADLEY (800.272.3539).

Product warranties and parts information may also be found under “Products” on our website at [bradleycorp.com](http://bradleycorp.com).

Pour toute question concernant le fonctionnement ou l’installation de ce produit, consulter le site [www.bradleycorp.com](http://www.bradleycorp.com) ou appeler le 1-800-BRADLEY.

Les garanties de produits figurent sous la rubrique « Informations techniques » sur notre site Internet à [www.bradleycorp.com](http://www.bradleycorp.com).

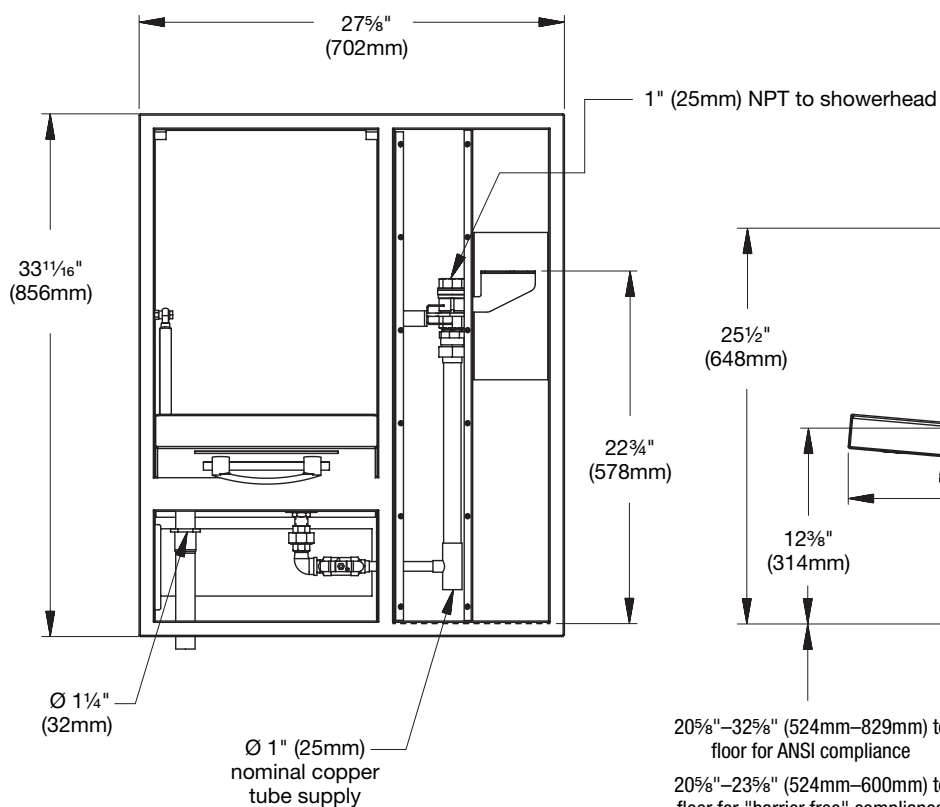
Para consultas sobre la operación o instalación de este producto, visite [www.bradleycorp.com](http://www.bradleycorp.com) o llame al 1-800-BRADLEY.

Las garantías del producto se pueden encontrar en “Información del producto” o en nuestro sitio Web, [www.bradleycorp.com](http://www.bradleycorp.com).

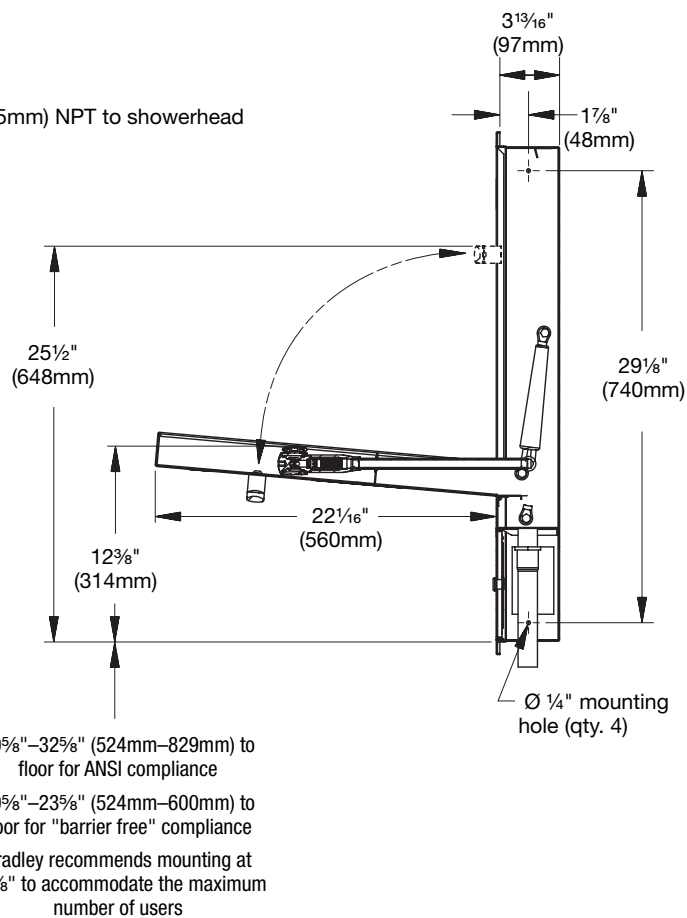


# Dimensions — Eyewash

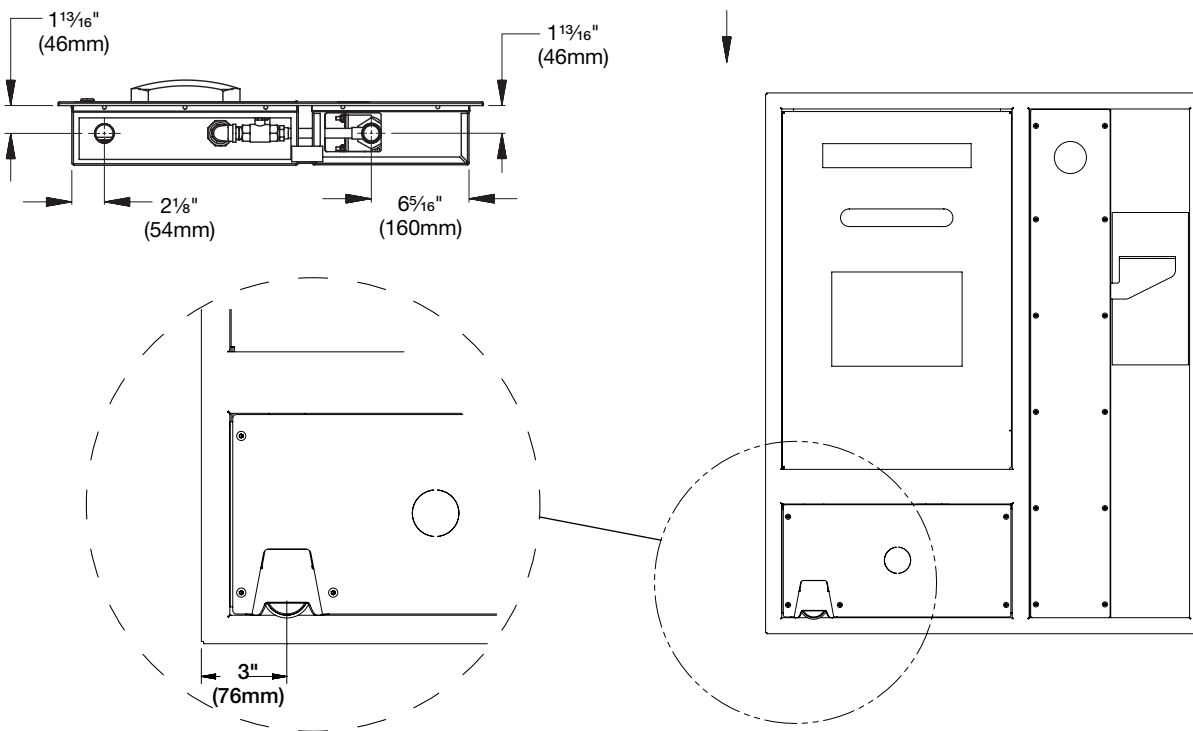
**Front View**



**Side View**



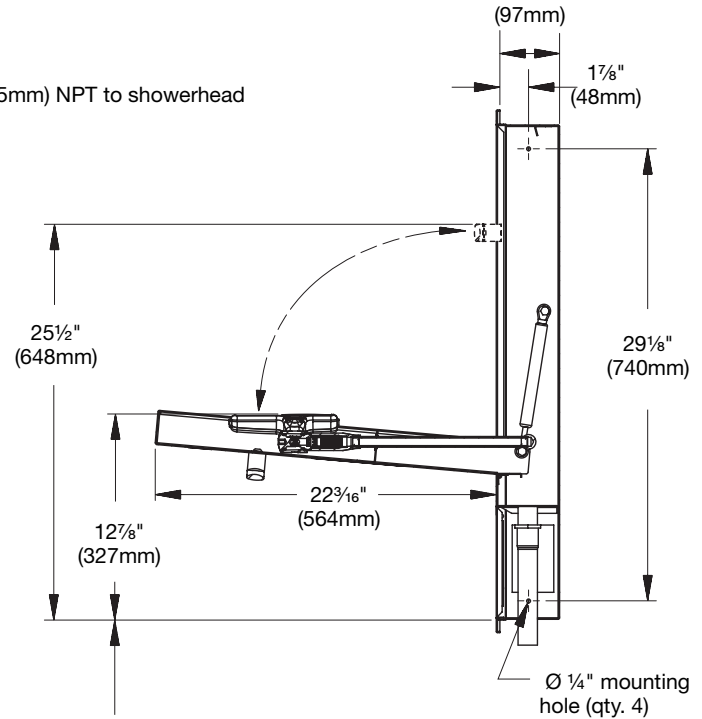
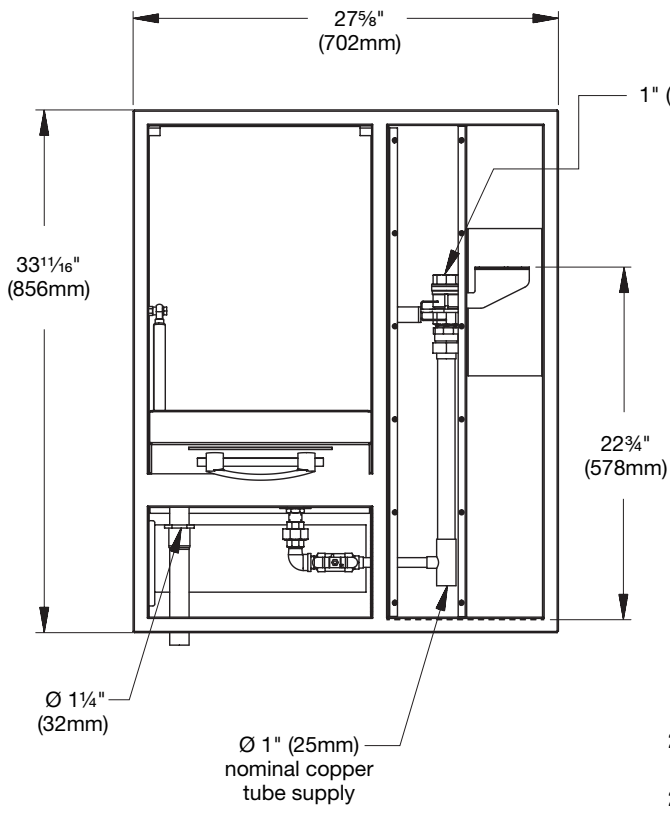
**Bottom View**



# Dimensions — Eye/Face Wash

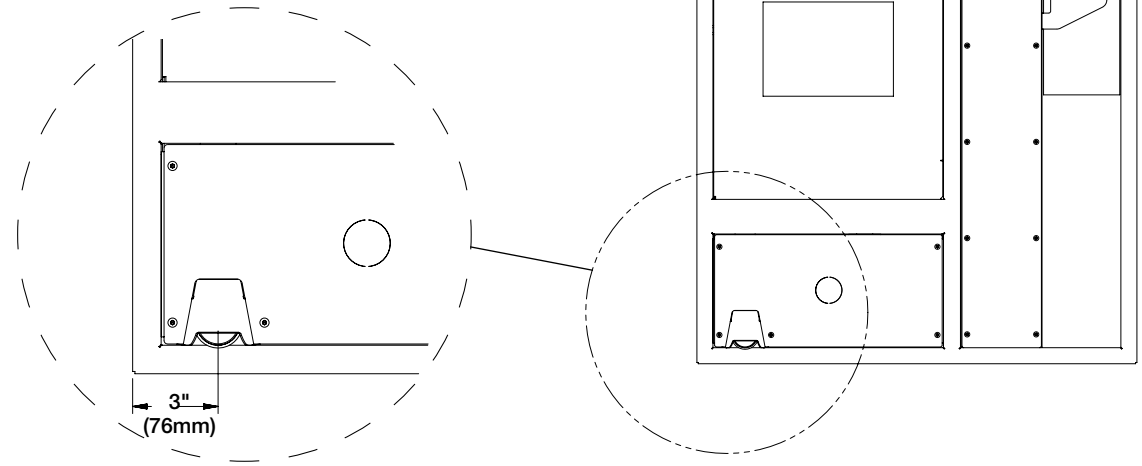
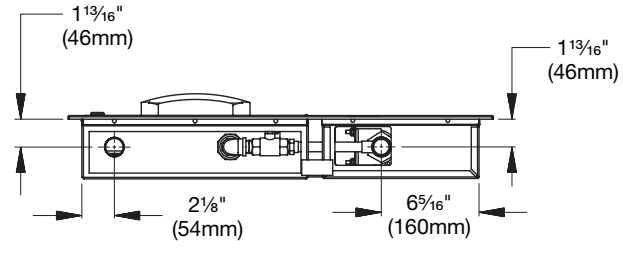
**Front View**

**Side View**

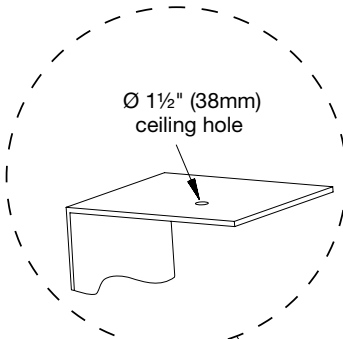


20 1/8"–32 1/8" (511mm–816mm) to floor for ANSI compliance  
 20 1/8"–23 1/8" (511mm–587mm) to floor for "barrier free" compliance  
 Bradley recommends mounting at 20 1/8" (511mm) to accommodate the maximum number of users

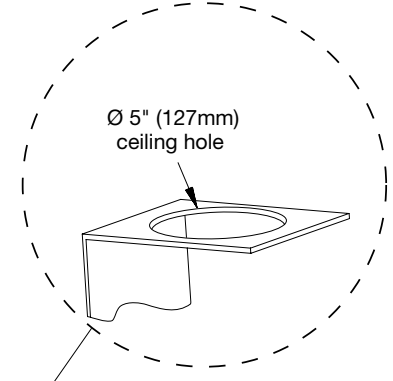
**Bottom View**



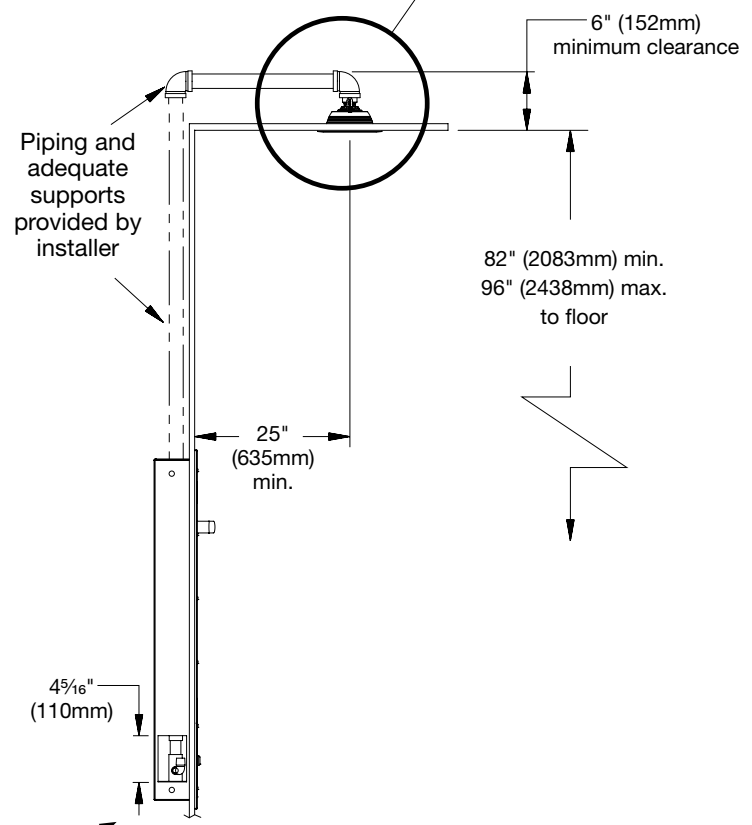
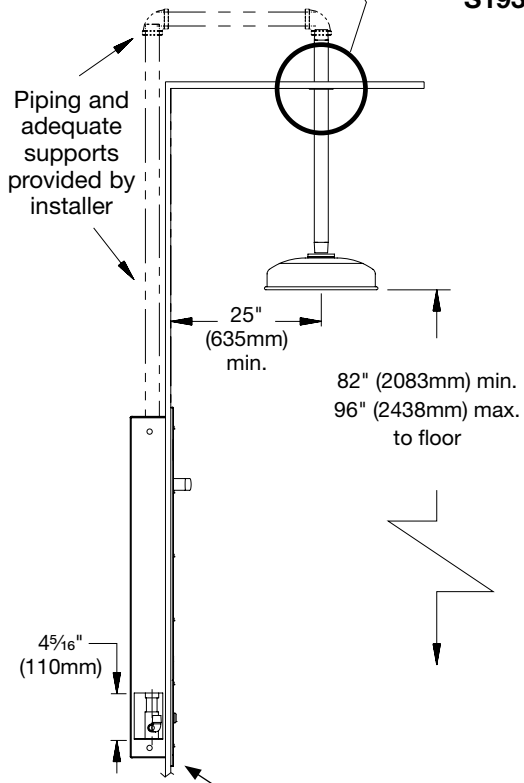
# Rough-in Specifications



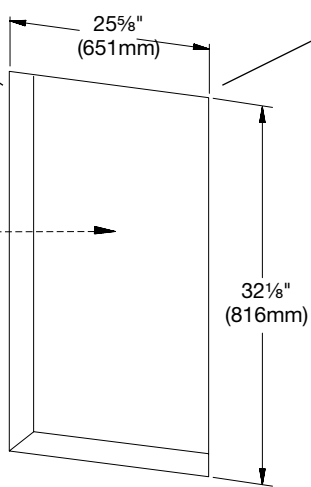
**S19345HXB,  
S19345HXBT,  
S19345HXD,  
S19345JXB,  
S19345JXBT,  
S19345JXBD**



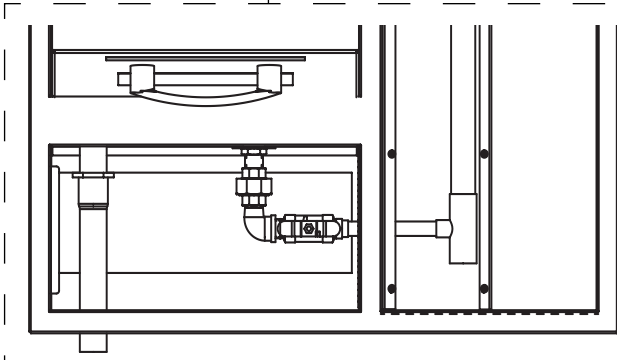
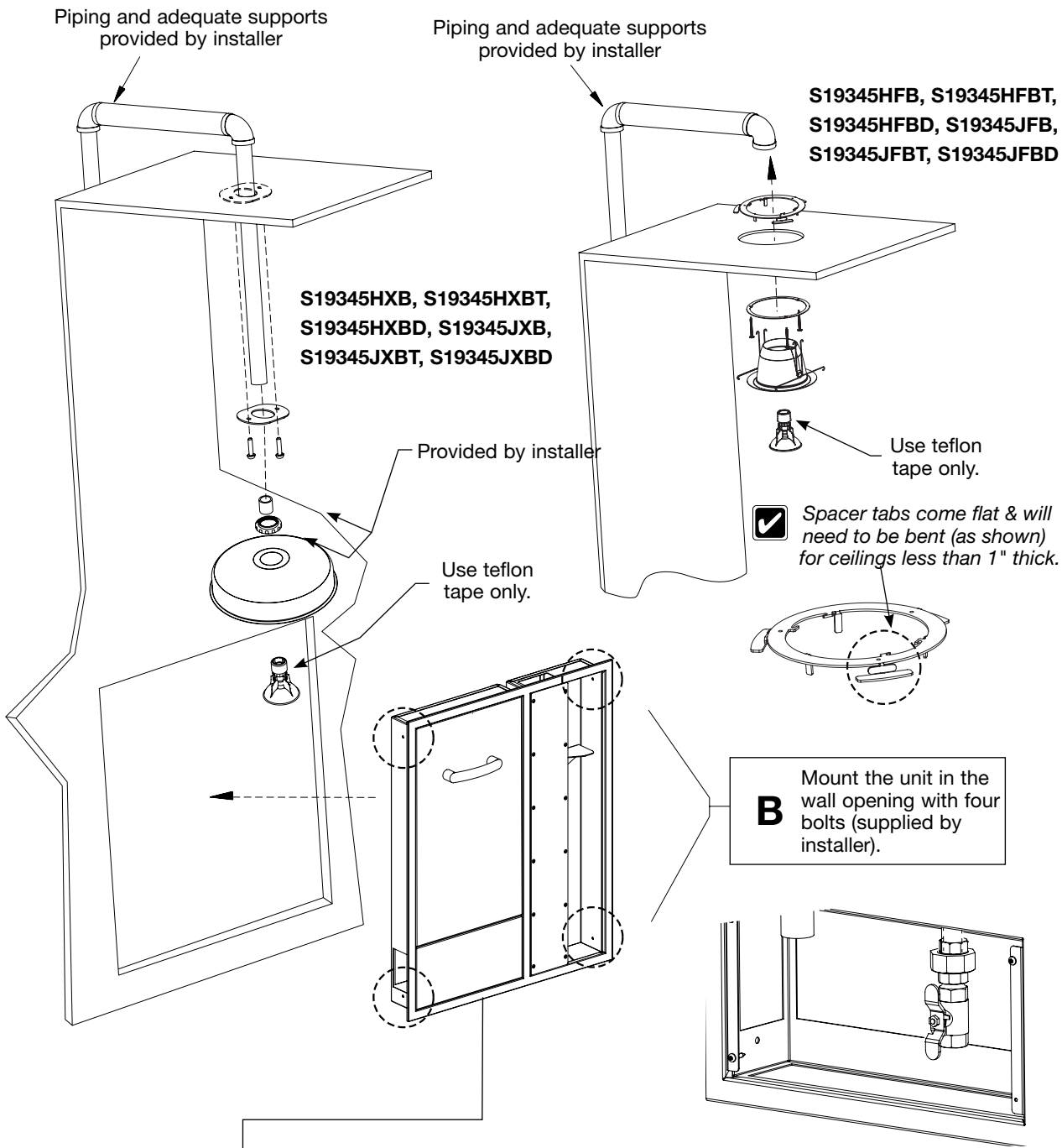
**S19345HFB,  
S19345HFBT,  
S19345HFD,  
S19345JFB,  
S19345JFBT,  
S19345JFBD**



**A** Rough in the wall opening and the Ø 1\" (25mm) nominal copper tubing for water supply.



# Installation



**C** With the access panel open, connect the water supply.

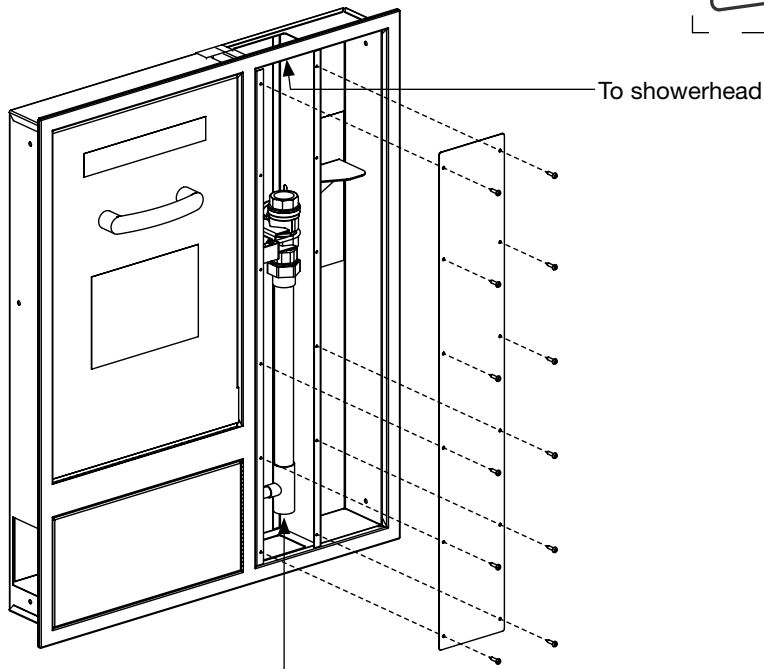
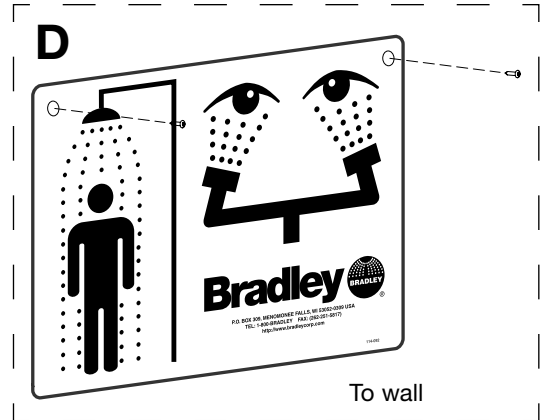
**Tailpiece:** Connect the non-flanged end of the tailpiece to the drain pipe.

**P-trap:** Connect the top of the P-trap to the drain pipe. Adjust for side or rear drain according to your application.

**Daylight drain:** Connect the non-flanged end of the tailpiece to the drain pipe. Connect the top of the Elbow to the tailpiece, align elbow with the drain hood on the cabinet door.

Connect the 1/4" waste line (supplied by installer) to the bottom of the tailpiece or P-trap.

# Connect Water Supply



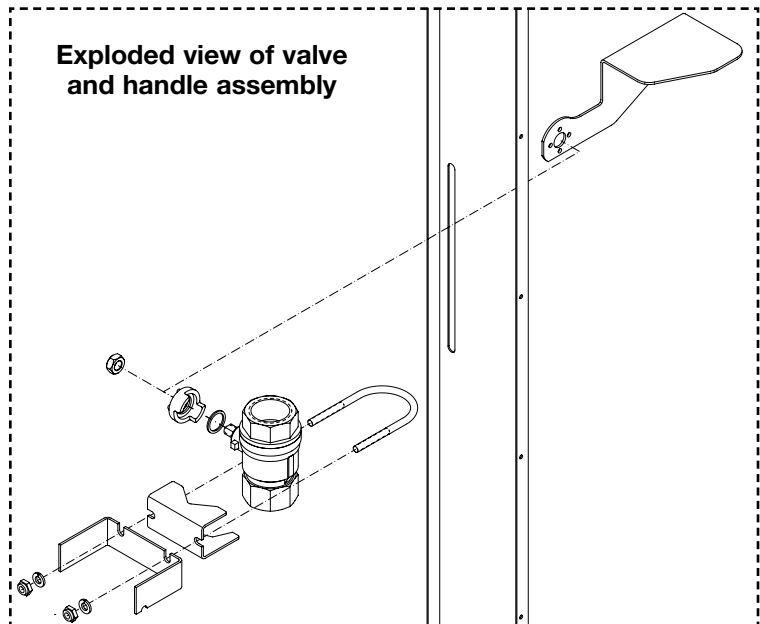
Connect 1" NPT supply piping

S45-2236  
Valve Mounting Hardware Prepack (includes valve mounting bracket, nuts, washers and U bolt)

**E** Slowly open the water supply lines to relieve air and pressurize the valve. Test the unit for leaks and adequate flow.

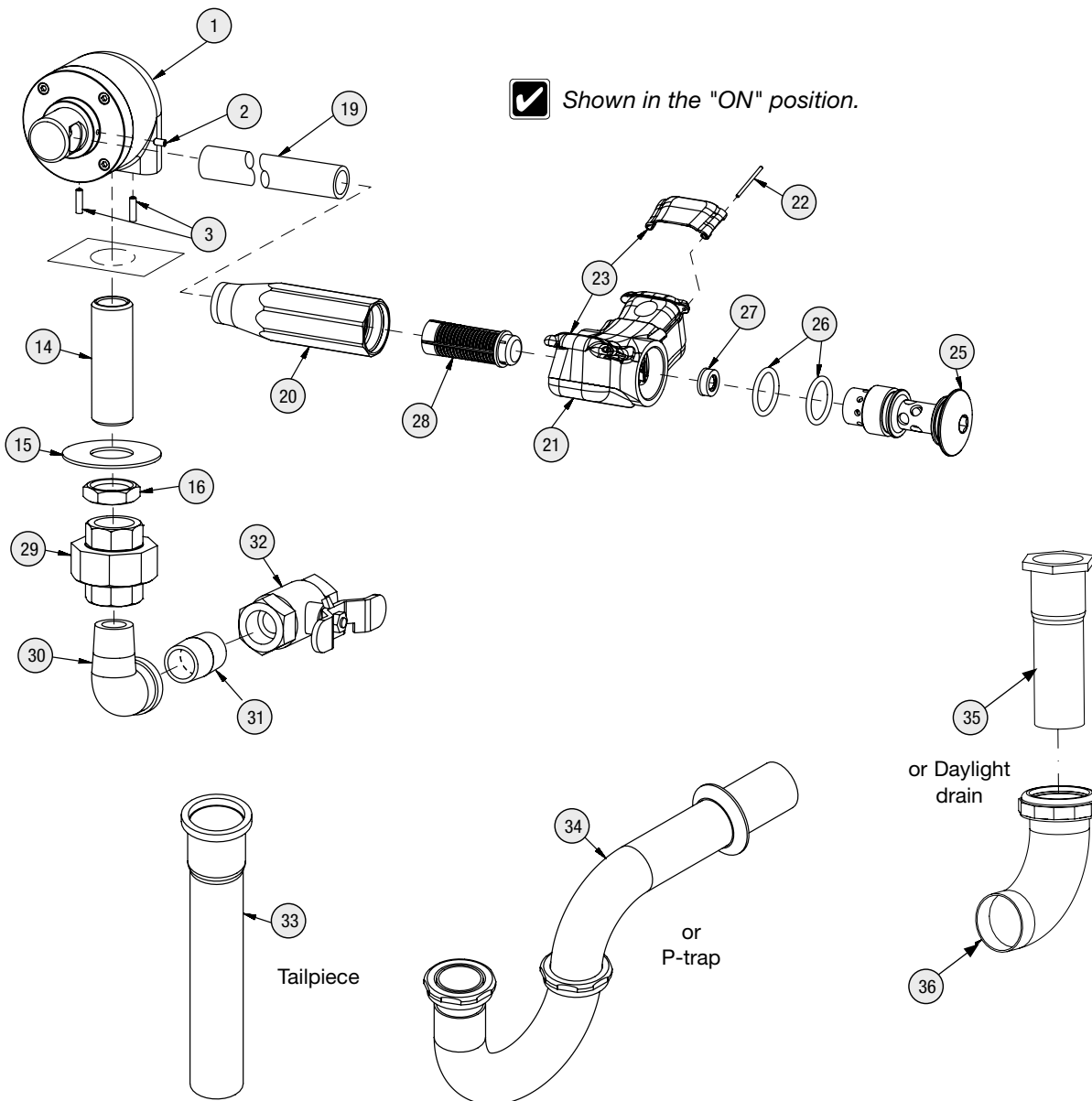
**F** Reattach service door with 4 screws supplied with unit.

S45-2981  
Valve/Handle Prepack (includes Handle and Valve Assembly)

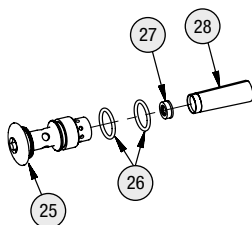




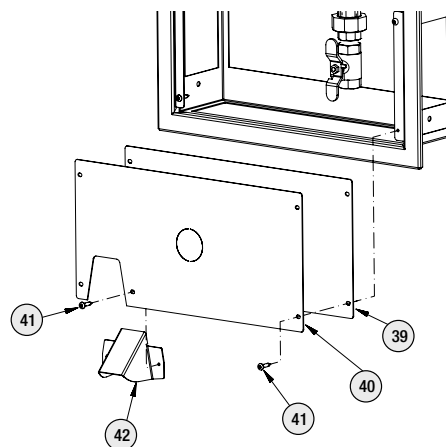
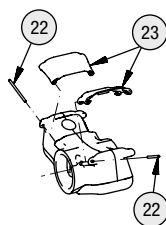
## Assembly of Components — S19345HXB, S19345HXBT, S19345HFB, S19345HFBT



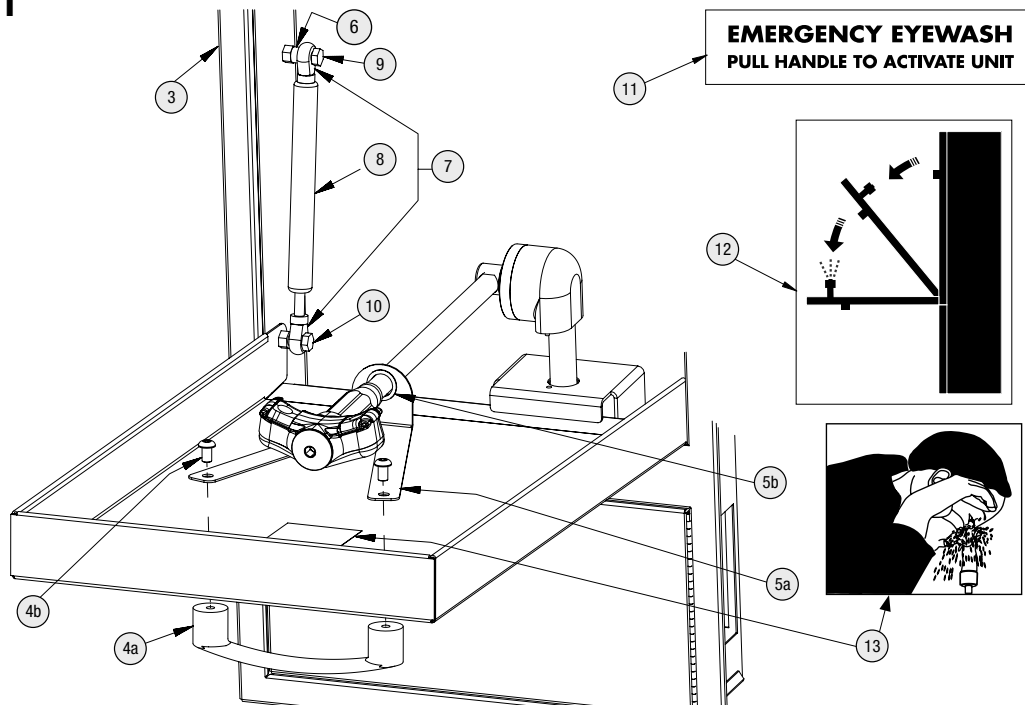
Prepack S65-339 includes items 26, 27, 28  
 Prepack S88-068 includes items 25, 26, 27, 28



Eyewash Cover Prepack S45-2675 includes items 22 and 23



### Assembly of Components – S19345HXB, S19345HXBT, S19345HFB, S19345HFBT

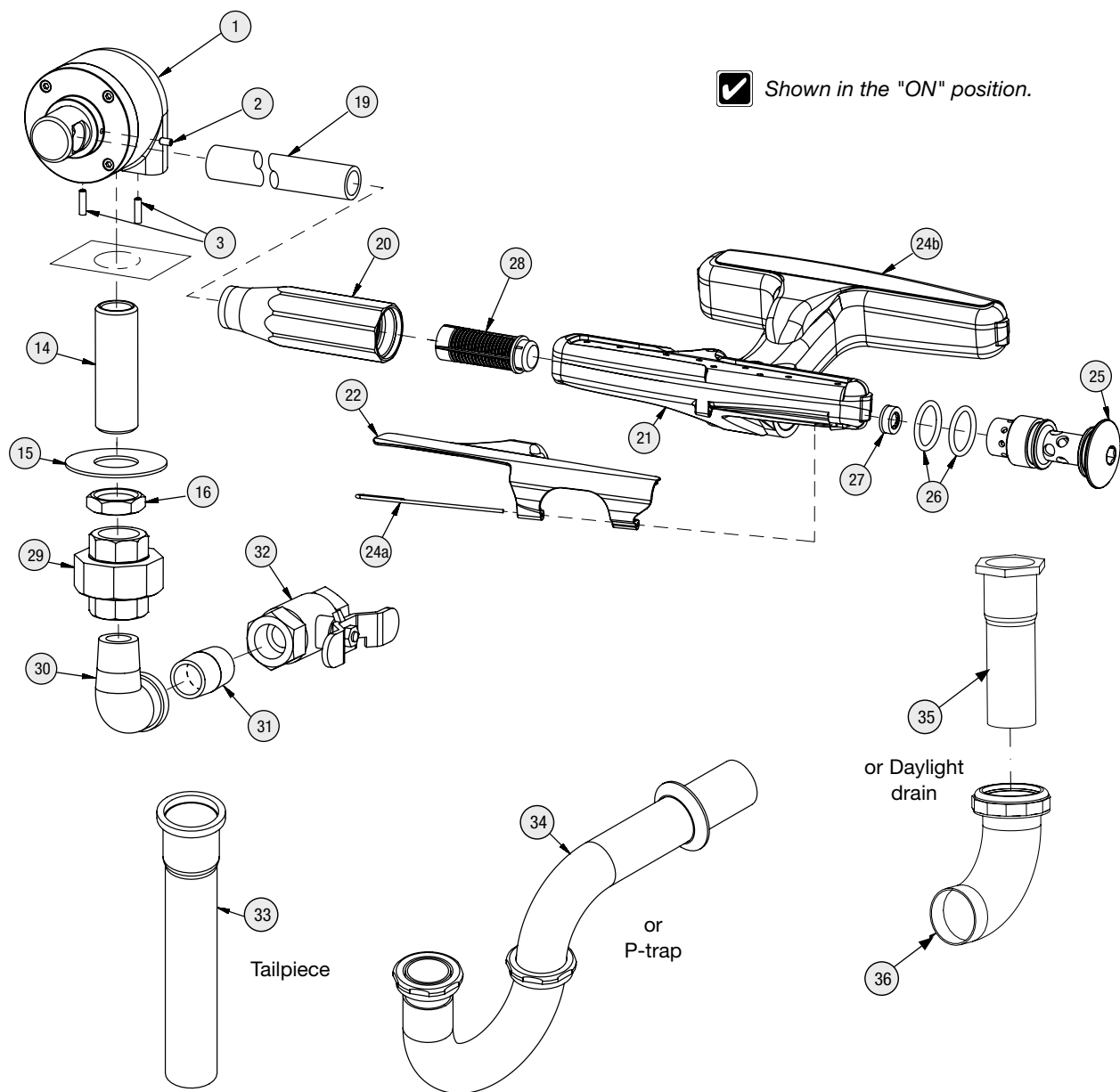


### Parts List – S19345HXB, S19345HXBT, S19345HFB, S19345HFBT

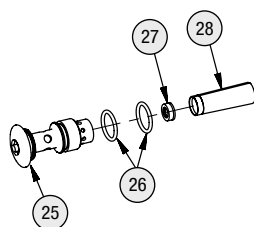
Item	Part No.	Qty	Description	Item	Part No.	Qty	Description
1*	N/A	1	Valve not available for service; must replace with S39-805BF.	20	171-006	1	Body, Mount 3/8" NPT Female
2	160-473	1	Screw, Set 6-32 x 1/4	21	S05-190	1	Sprayhead Ass'y Eyewash (includes)
3	160-474	2	Screw, Set 6-32 x 1/2	22	in service kit	2	Pivot Pin
4a	128-171	1	Handle	23	in service kit	2	Flip Cover, Eyewash
4b	160-061	1	Screw	25	115-158	1	Cap
5a	140-1082	1	V-bracket	26	125-157	2	O-Ring
5b	269-2097	1	Bearing	27	125-175	1	Flow Control
6	182-118	1	Spacer	28	S65-340	1	Screen (incl. 3 per pack)
7	269-1836	2	Rod End (eyelet)	29	169-348	1	Union
8	269-1835	1	Gas Spring	30	169-639	1	90° Street Elbow
9	160-264	1	Bolt, 5/16-18 x 1"	31	113-006DH	1	Nipple, Close
10	160-458	1	Bolt, 5/16-18 x 3/4"	32	S27-342	1	Stop Valve
11	204-602	1	Decal, Pull Down	33	269-1830	1	Tailpiece (S19-294HB)
12	204-603	1	Decal, Concealed Eyewash	34	269-142	1	P-trap, 1/4" (S19-294HBT)
13	204-665	1	Decal	35	111-147	1	Tailpiece (S19-294HBD)
14	113-1237	1	Shank, 1/2" x 2 1/2"	36	111-146	1	Elbow (S19-294HBD)
15	142-002CB	1	Washer, Flat 7/8" x 2"	39	186-2301	1	Door
16	110-115	1	Nut, Brass 1/2"-14 NPSM	40	186-2302	1	Door Daylight Drain
19	113-1230	1	Pipe, 3/8" x 1 1/4" Chrome Red Brass	41	160-457	4	Screw
				42	140-1310	1	Daylight Drain Cover

\* S39-805BF includes Items 1, 2, 13, 14, 16, 19, 20, 21 (less flip covers and pivot pins), 25, 26, 27, 28. The sprayhead assembly in this kit does not include flip covers. Therefore, Service Kit S45-2675 must be ordered separately.

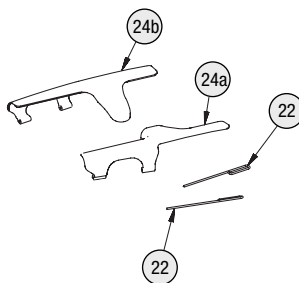
## Assembly of Components – S19345JXB, S19345JXBT, S19345JFB, S19345JFBT



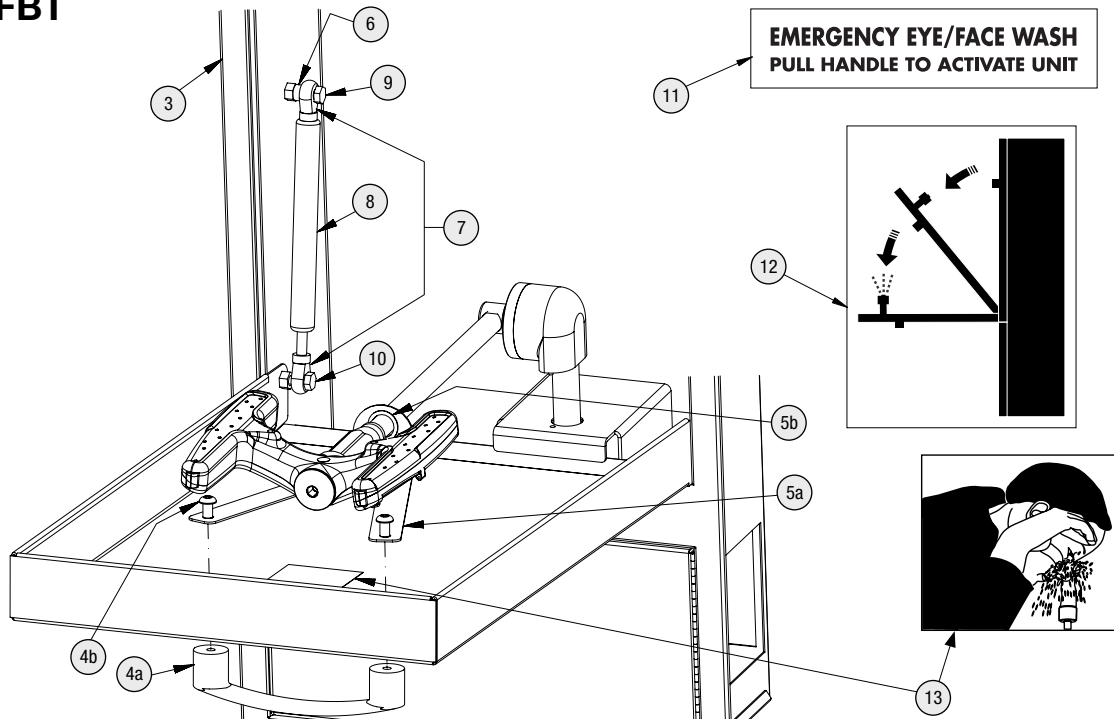
Prepack S65-339 includes items 26, 27, 28  
 Prepack S88-068 includes items 25, 26, 27, 28



Eye/Face Wash Cover  
 Prepack S45-2676 includes items 22, 24a and 24b



### Assembly of Components – S19345JXB, S19345JXB, S19345JFB, S19345JFBT



### Parts List – S19345JXB, S19345JXB, S19345JFB, S19345JFBT

Item	Part No.	Qty	Description	Item	Part No.	Qty	Description
1*	N/A	1	Valve not available for service; must replace with S39-806BF.	21	S05-192	1	Sprayhead Ass'y Eye/Face Wash (incl.)
2	160-473	1	Screw, Set 6-32 x ¼"	22	in service kit	2	Pivot Pin
3	160-474	2	Screw, Set 6-32 x ½"	24a	in service kit	1	Flip Cover, Right
4a	128-171	1	Handle	24b	in service kit	1	Flip Cover, Left
4b	160-061	1	Screw	25	115-158	1	Cap
5a	140-1082	1	V-bracket	26	125-157	2	O-Ring
5b	269-2097	1	Bearing	27	125-175	1	Flow Control
6	182-118	1	Spacer	28	S65-340	1	Screen (incl. 3 per pack)
7	269-1836	2	Rod End (eyelet)	29	169-348	1	Union
8	269-1835	1	Gas Spring	30	169-639	1	90° Street Elbow
9	160-264	1	Bolt, 5/16-18 x 1"	31	113-006DH	1	Nipple, Close
10	160-458	1	Bolt, 5/16-18 x ¾"	32	S27-342	1	Stop Valve
11	204-602	1	Decal, Pull Down	33	269-1830	1	Tailpiece (S19-294HB)
12	204-603	1	Decal, Concealed Eyewash	34	269-142	1	Tubular Trap, 1¼" (S19-294HBT)
13	204-665	1	Decal	35	111-147	1	Tailpiece
14	113-1237	1	Shank, ½" x 2½"	36	111-146	1	Elbow
15	142-002CB	1	Washer, Flat 7/8" x 2"	39	186-2301	1	Door
16	110-115	1	Nut, Brass ½"-14 NPSM	40	186-2302	1	Door Daylight Drain
19	113-1230	1	Pipe, 3/8" x 11¼" Chrome Red Brass	41	160-457	4	Screw
20	171-006	1	Body, Mount ¾" NPT Female	42	140-1310	1	Daylight Drain Cover

\* S39-806BF includes Items 1, 2, 13, 14, 16, 19, 20, 21 (less flip covers and pivot pins), 25, 26, 27, 28. The sprayhead assembly in this kit does not include flip covers. Therefore, Service Kit S45-2676 must be ordered separately.