



- Completely Preassembled Unit
- Quick, Easy Installation

Specifications

Materials

Ablution panel is type 304 stainless steel. All other exposed parts are stainless steel or chrome-plated brass. Valve bodies are brass casting. Supply inlets are flexible stainless steel hoses.

Standard Equipment

Valve Type as Selected

For more information on each valve type, please enter the model number in the search box at www.bradleycorp.com.

Wash Spout

Stainless steel Ablution spout or chrome-plated severe service head options with anti-splash 0.5GPM (1.9LPM), 1.0GPM (3.8LPM) or 1.5GPM (5.68LPM) flow.

Supply Inlets

Supply inlets are 3/8" O.D. Comp (without supply stop) or 5/8" O.D. Comp (with optional supply stop) flexible hoses. Inlets are accessible through the back of the panel or through knockouts in the top and bottom covers.

ABL Spout Quick Connect

Plastic tubing to connect valving to spout.

Optional Equipment

Grab Bar

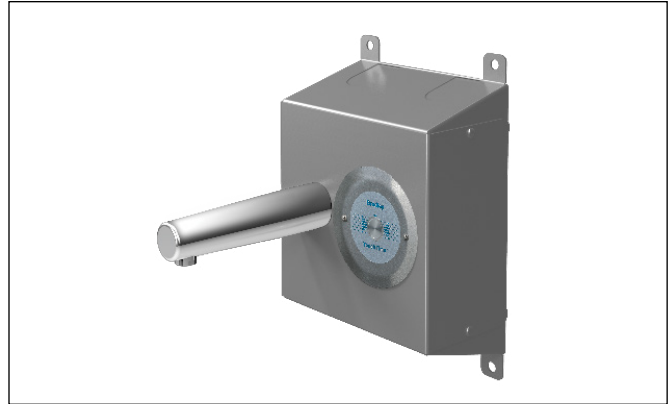
For added safety and support for users.

DC International Wall Plug

Low-voltage UL/CSA listed 120V/12VDC plug-in adapter required with TouchTime pushbutton and TouchTime piezo switch.



DC International Wall Plug
261-147A



Required Selections

Valve Type (select one):

- AST** Air Pushbutton
- SV** Single Compression Valve (Default)
- TTPA** TouchTime® Pushbutton*
- TTPB** TouchTime® Piezo Switch*

Supply Stop Type (select one):

- ST** Supply Stops
- NONE** No Supply Stops

Spout Type (select one):

- PSG05** Ablution Spout Satin Finish (Flow Rate=0.5 GPM/1.9 LPM)
- PSG10** Ablution Spout Satin Finish (Flow Rate=1.0 GPM/3.8 LPM)
- HPSG05** Ablution Spout High Polish Finish (Flow Rate=0.5 GPM/1.9 LPM)
- HPSG10** Ablution Spout High Polish Finish (Flow Rate=1.0 GPM/3.8 LPM)
- SXABL** Ablution Severe Service Spout (Flow Rate=1.5 GPM/5.68LPM)

Quick Connect Kit (select one):

- ABLQC** ABL Spout Quick Connect Kit

Grab Bar Type (select one):

- G18ABL** 18" Security Grab Bar
- G24ABL** 24" Security Grab Bar
- NONE** No Grab Bar

Wall Plug Type (select one):

- DCP** DC International Wall Plug*
- NONE** No Wall Plug

*TTPA and TTPB valves require a low-voltage UL/CSA listed 120VAC/12VDC plug-in adapter.



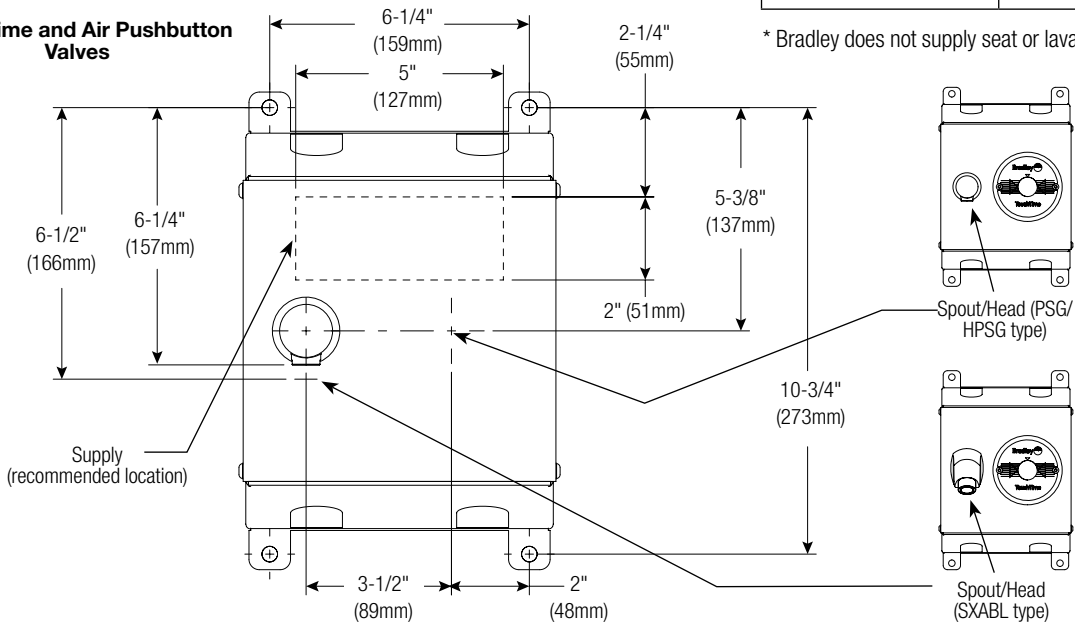
A WATTS Brand

ABP-1WCA In-Wall Mounted Hand/Foot Washing System

Recommended Ablution System Heights	
Ablution Types	Floor to Spout/Head Centerline Height
Ablution w/ seat *	29" (740mm)
Ablution w/ lavatory *	59" (1499mm)
Ablution no seat	37" (940mm)

* Bradley does not supply seat or lavatory.

TouchTime and Air Pushbutton Valves



SV Valve

