

Keyboard Tray

GSA SIN #: 33721
EFFECTIVE
FEBRUARY 23, 2026

Lift, tuck and type.

Free up your workspace with our collection of convenient keyboard platforms and platform connectors.

Mini Trackless With Lift and Lock Mechanism



Features

LIFT AND LOCK

- Lift and lock provides 7 inches of height adjustment
- Includes knob for manual tilt adjustment
- 21.75" track

PREMIUM LIFT AND LOCK

- Lift and lock height adjustment with automatic tilt adjustment
- Patented height and tilt indicator
- 21.75" track

MINI TRACKLESS

- Designed to attach and function without a track
- Easily attaches below top to avoid crossbar interference

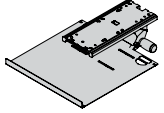
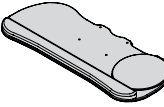
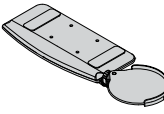
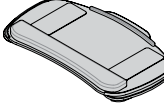
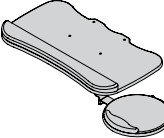
SIT-TO-STAND

- Lift and lock height adjustment with height range from 8" above the track to 6" below
- Control for tilt adjustment
- 23" track

1. Keyboard Tray

Product Type	Code	Price	
Keyboard Tray	3151	\$0	Priced by Style

2. Platform

Platform Style	Code	Price	
None	KBP00	\$0	
Laptop Tray	KBP01	\$174	
Longboard	KBP02	\$301	
Mini Platform	KBP03	\$362	
Crescent Board	KBP04	\$350	
Tilt, Swivel Board	KBP05	\$336	

3. Mechanism

Mechanism Style	Code	Price	
None	KBM00	\$0	
HAT	KBM01	+ \$171	
Lift and Lock	KBM02	+ \$283	
Mini Trackless	KBM04	+ \$365	
Premium Lift and Lock	KBM05	+ \$386	
Sit-to-Stand	KBM06	+ \$496	

4. Miscellaneous

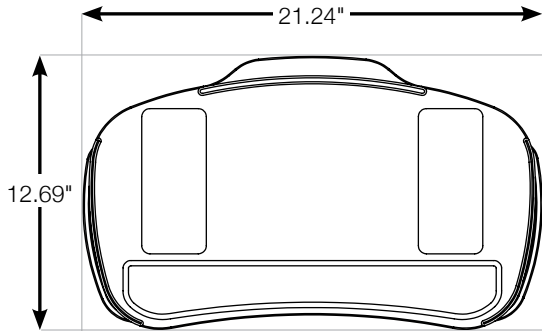
Options	Code	Price	
None	KBO00	+ \$0	
U-Brackets for Crossrails	KBTA	+ \$126	
Corner Sleeve	KBCS	+ \$224	

KEYBOARD TRAY

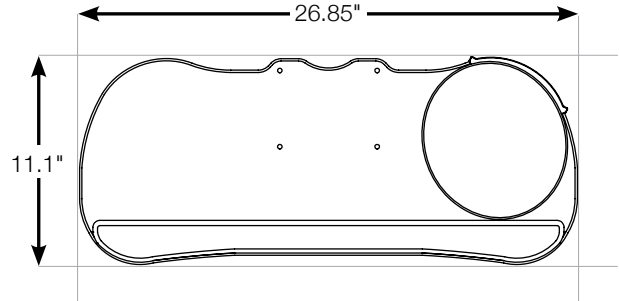
EFFECTIVE FEBRUARY 23, 2026 | GSA SIN #: 33721

Specifications

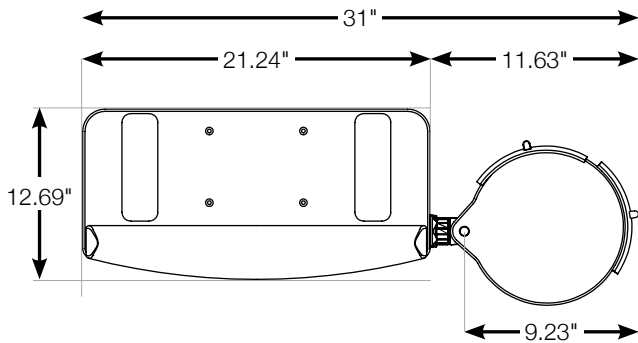
CRESCENT BOARD



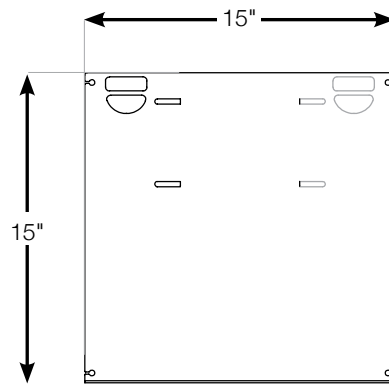
LONGBOARD



MINI PLATFORM



LAPTOP TRAY



SWIVEL TILT

