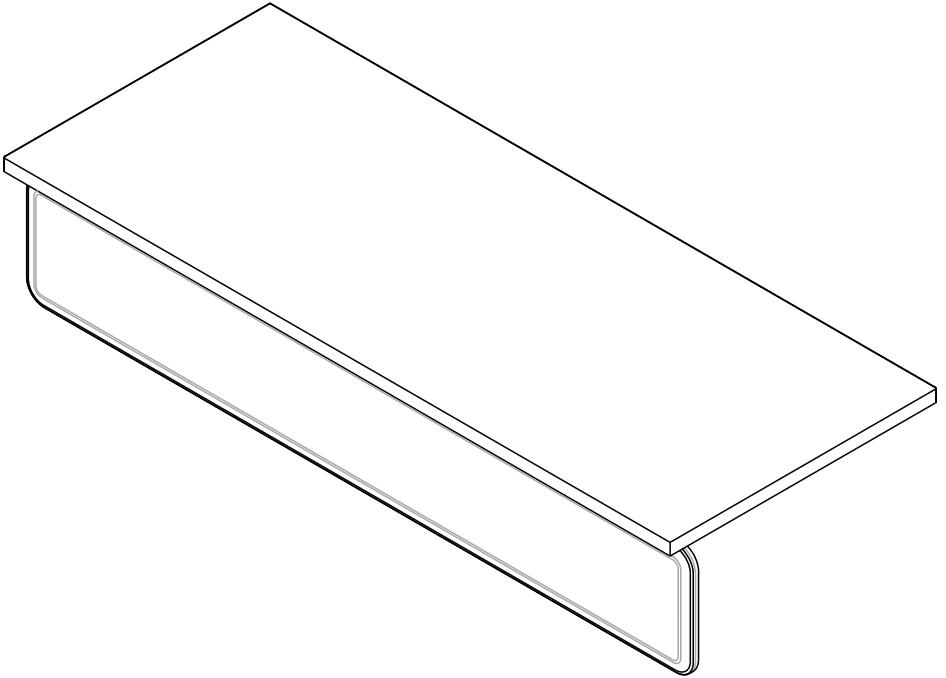


# Motif

## MODESTY SCREEN INSTALLATION INSTRUCTIONS

We all need our own space. Increase office and employee privacy with our selection of modesty screens that attach right onto our tables and desks. In addition, shield cords, wires and more from sight for a clean and organized workspace.

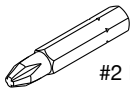


Read the entire instruction manual before you start installation and assembly. If you have any questions regarding any of the instructions or warnings, please contact your local distributor for assistance.

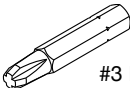
To report any issues with this product, contact our customer experience team at: (888) 274-8664 or [sitonit@exemplis.com](mailto:sitonit@exemplis.com).

## Recommended Tools

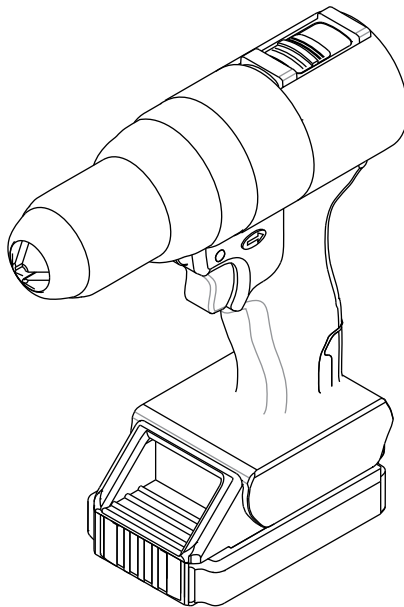
- Cordless Drill/Driver
- #2 Phillips Bit
- #3 Phillips Bit



#2 Phillips Bit



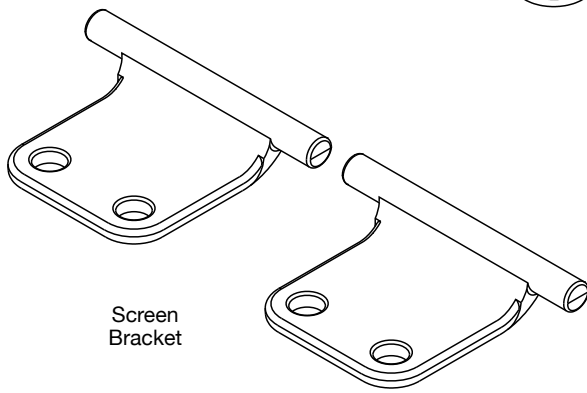
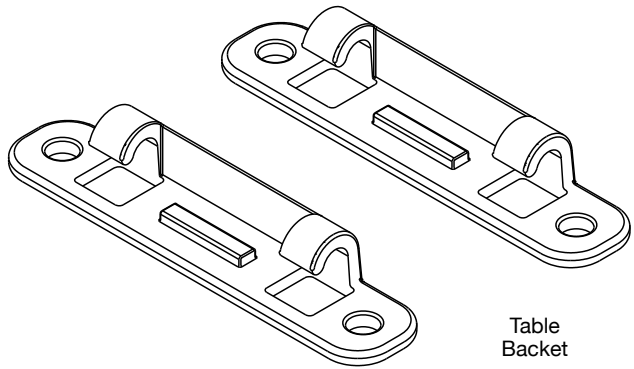
#3 Phillips Bit



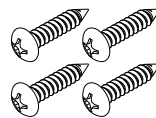
Cordless Drill/Driver

## Parts

- Table Bracket (2)
- Screen Bracket (2)
- #12 x 1" Screw (8)

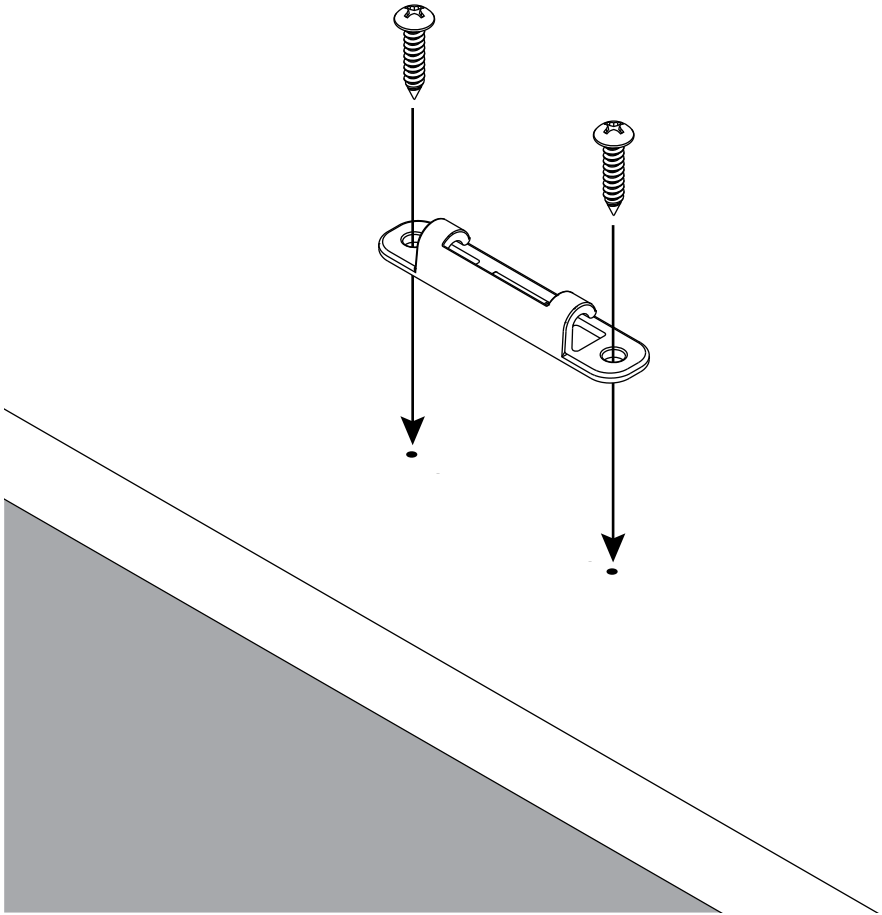


### HARDWARE

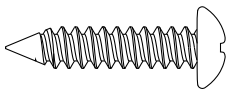


**Step 1:** Attach the table brackets to the tabletop.

---

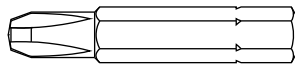


**1:1 HARDWARE**



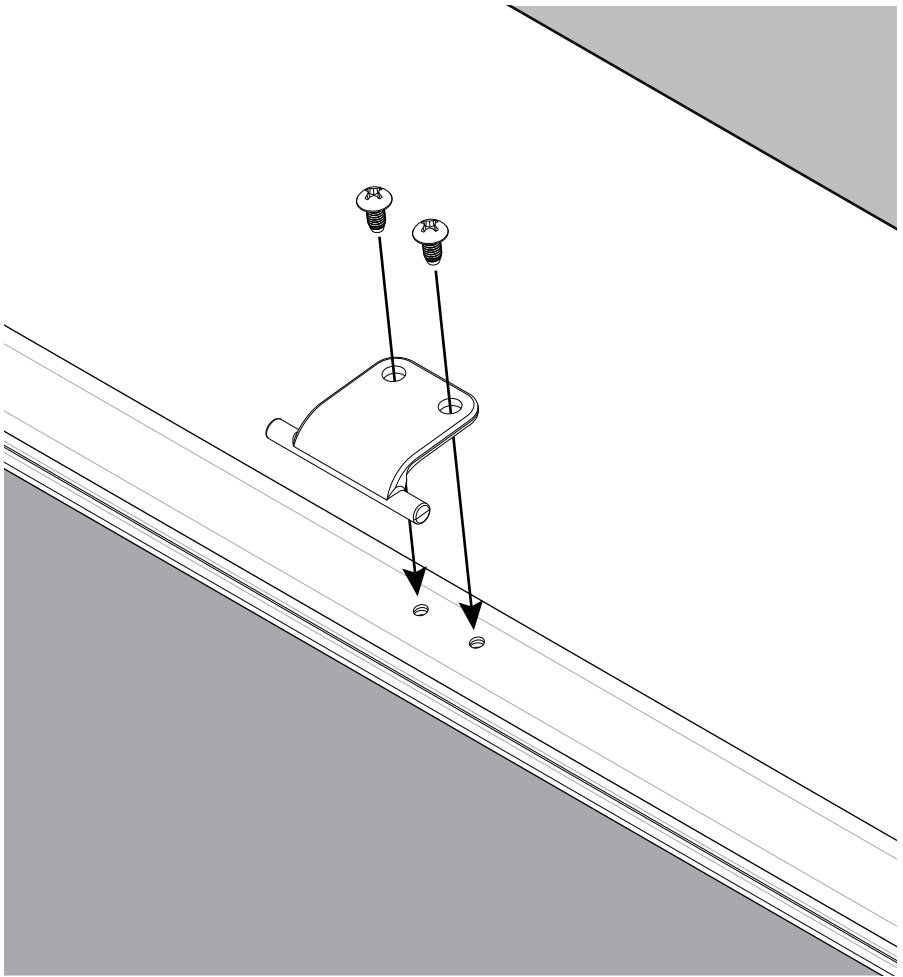
#12 x 1" Screw

**TOOLS**

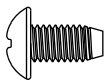


#3 Phillips Bit

**Step 2:** Attach the screen brackets to the screen.

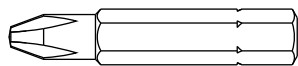


**1:1 HARDWARE**



#10 x 1" Screw

**TOOLS**



#2 Phillips Bit

**Step 3:** Hang the screen onto the table brackets.

