



CALIDATM
LOUNGE FURNITURE

PRICE LIST

EFFECTIVE MARCH 31, 2026
800.424.2432



Fabric Yardage Pricing	3
<hr/>	
Ordering Customer's Own Material (C.O.M.) Upholstery	
Information	4
<hr/>	
Calida™	
General Information	6
Product Color Options	10
Lounge Seating	11
Occasional Table	16



Yardage	Grade	List Price Per Yard
1	C	\$ 49
1	D	\$ 64
1	E	\$ 78
1	F	\$ 100
1	G	\$ 122
1	H	\$ 144
1	I	\$ 178
1	J	\$ 222
1	K	\$ 289
1	L	\$ 333
1	M	\$ 422



Customer's Own Material ■

Specifications Form

January 2023

How to Specify

As a standard procedure, KI applies seating upholstery as swatched by the textile distributor. Reference distributor's website. Upholstery that is required to be applied differently than is swatched, will need a Product Modification Request written specifying the direction the upholstery is to be applied.

Seating upholstery requiring specific positioning of intricate patterns or patterns repeats on seats and backrests, will need a Product Modification Request written including a sketch noting the specific requirements, as in Diagram A.

C.O.M. must be supplied in continuous yardage.

Yardage requirements listed in price list are based on plain goods 54" wide. Fabrics less than 54" wide, or those requiring matching (stripes, plaids, prints, large patterns) will require additional yardage based on the fabric used and the item ordered. Consult matrix below for additional yardage needed.

C.O.M. INCREASE MATRIX (yardage matrix is also applicable to any reservations of KI Ingrade, Pallas, or K.O.M. upholsteries).

This table is a general guide.

FABRIC WIDTH	PLAIN FABRIC	UNDER 7"	8"-13"	14"-21"	22"-27"	28"-33"	34"-40"	41"-48"
54"	0	20%	25%	30%	45%	55%	70%	80%
51"-53"	15%	25%	30%	35%	50%	60%	80%	90%
48"-50"	20%	30%	35%	40%	55%	65%	85%	95%
45"-47"	30%	45%	50%	55%	60%	80%	90%	100%
36"-44"	50%	65%	70%	75%	80%	100%	110%	120%

Fabric with double repeat: If using a fabric with a double repeat, please follow this formula: take the total amount of the larger and half of the smaller repeat; add together to find the correct overall repeat. Example: 10" vertical with 14" horizontal would be $14 + 5 = 19$.

If fabric comes in on multiple rolls, one additional yard per roll needs to be added to the yardage requirement.

Leather hides must be a minimum of 50 square feet of usable material. The outer edges cannot be calculated as square feet or yardage. To determine square footage, multiply unit yardage by 18 square feet to obtain the total square footage required per unit.

For exact production yardage requirements, call 1-800-424-2432, ext. 2707.

Production

Customer's upholstery must be approved prior to acceptance for production.

After approval, a memo swatch of the C.O.M. from the textile distributor must accompany the order. KI assumes no responsibility for wear, defects, or performance of C.O.M. or K.O.M. upholstery.

C.O.M. not received into the appropriate facility 3 weeks prior to acknowledged delivery date may go on hold. See KI C.O.M.

Shipping Location listing for the correct facility address by product.

All C.O.M. must be labeled as follows:

1. Name and address
2. Your purchase order number
3. Our style number to which fabric is to be applied
4. Supplier name and fabric name, number, and color

ALL C.O.M. Shipments must be prepaid. Collect shipments will be refused.

Testing

When KI requires testing, actual yardage to upholster one chair may be required. The C.O.M. Specialist will confirm model and fabric testing requirements when applicable.

Approved test samples will be applied to the order or will be held for 6 months. After 6 months, the sample will no longer be applied to your order. For all product testing, send fabric samples to the manufacturing facility. See KI C.O.M. Shipping Location listing for the correct facility address by product.

ALL C.O.M. Shipments must be prepaid. Collect shipments will be refused.

Treated Materials

If C.O.M. requires processing such as a stain resistance treatment or acrylic backing, it may shrink. To prevent delays in delivery or back ordering due to shrinkage, please have your processor verify measurement after processing and assure adequate yardage shipped.

Split Orders

If a portion of the shipment which does not require C.O.M. application is to be processed and shipped early, KI will enter the order immediately at your request. These split shipments are subject to minimum order changes.

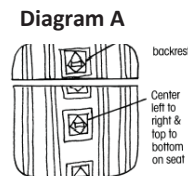
Excess Upholstery Material

KI will dispose of excess upholstery material at the time of shipment unless expressly requested to return it with the product shipment.

Cancelled or Changed Orders

KI assumes no responsibility for extra C.O.M. due to a change of upholstery or cancellation of an order. If it the customer's responsibility to arrange for return of the material.

Contact the C.O.M. Specialist at 1-800-424-2432, ext. 2707, with questions or to request a split order





C.O.M. SHIPPING LOCATION



Architectural Walls	Panel Systems	Impress Ultra OM
Evoke..... MN	All Terrain..... KP	Intellect Wave GB
Genius..... MN	Balance MN	Jessa HN
Casegoods	Universal MN	Jubilee VQ
Aristotle..... MN	Wireworks MN	Katera GB
Likha..... MN	Unite..... MN	Kurv Benches HN
Classroom Furniture	Residence Hall Furniture	Learn2 GB
Cogni GB	RoomScape MN	LimeLite GB
Intellect Wave GB	Screens	Lyra HN
Learn2..... GB	All Terrain..... KP	Medical & Laboratory Stools OM
Ruckus..... GB	Connection Zone..... BW	MyPlace HN
Desking	Tributaire..... BW	MyWay HN
700 Series KP	True/Volition KP	Oath GB
Balance MN	Genesis..... KP	Opt4 GB
Genesis MN	Tattoo..... MN	Pilot OM
True KP	Universal..... BW	Promenade BW
Universal MN	Seating	Ruckus GB
WorkZone MN	600 Series..... BW	Sela HN
Files & Storage	Affina HN	Sift GB
700 Series..... GB	Altus GB	Signia OM
Connection..... BW	Apply GB	Soltice Metal HN
U-Series GB	Calida HN	Soltice HN
Tattoo..... BW	Cascha VT	Sonrisa HN
Fixed Seating	Civara VT	Strive GB
Concerto..... BW	Clamber HN	Sway BW
Single Pedestal GB	Cogni GB	Tattoo HN
Jury Base GB	Diem OM	Torsion-on-the-Go! GB
Lancaster..... BW	Doni GB	Torsion Air GB
Sequence GB	Gladly VQ	Zeker HN
University GB	Grazie GB	Zentori VT
	Hub HN	Zoetry HN
	Impress OM	

KI C.O.M. Manufacturing Site Addresses:

BW
KI Bonduel
Attn: COM Storage
204 West South St.
Bonduel, WI 54107

HN
KI High Point
Attn: COM Storage
217 Feld Avenue
High Point, NC 27263

MN
KI Manitowoc
Attn: COM Storage
1400 S. 41st St.
Manitowoc, WI 54220

VQ
KI
Attn: COM Fabrics
6892 Marlin Circle
La Palma, CA 90623

GB
KI Green Bay
Attn: COM Storage
1687 Westminster Drive - Gate 3
Green Bay, WI 54302

KP
KI Pembroke
Attn: COM Storage
1000 Olympic Dr.
Pembroke, Ontario K8A6X7

OM
KI
Attn: COM Storage
1110 S. Mildred Ave.
Ontario, CA 91761

VT
KI
Attn: COM Storage
2803 South Taylor Drive
Sheboygan, WI 53081



Wood Leg Chair



High Back Wood Leg Chair



Sled Base Chair

General Dimensions			
Seat Width	19-1/2"	19-1/2"	19-1/2"
Seath Depth	17-1/4"	17-1/4"	17-1/4"
Seat Height	18-1/4"	18-1/4"	18-3/4"
Arms to Floor	25-1/2"	25-1/2"	26"
Overall Dimensions			
Seat Width	24-1/2"	24-1/2"	24-1/2"
Seat Depth	24-1/2"	24-1/2"	24-1/2"
Seat Height	31-1/2"	37-3/4"	32"



Swivel Chair



High Back Swivel Chair



Caster Base Chair

General Dimensions			
Seat Width	19-1/2"	19-1/2"	19-1/2"
Seath Depth	17-1/4"	17-1/4"	17-1/4"
Seat Height	18-1/4"	18-1/4"	19-1/2"
Arms to Floor	25-1/2"	25-1/2"	26-3/4"
Overall Dimensions			
Seat Width	26-1/2"	26-1/2"	27"
Seat Depth	26-1/2"	26-1/2"	27"
Seat Height	31-1/2"	37-3/4"	32-3/4"
Seat Base	26-1/2"	26-1/2"	27"

INFORMATION

Warranty
Refer to KI Terms & Conditions document or visit
ki.com



Four-Leg Stool, 24"



Four-Leg Stool, 30"



Occasional Table

General Dimensions

Seat Width	19-1/4"	19-1/4"
Seat Depth	19-1/4"	19-1/4"
Seat Height	24"	30"

Overall Dimensions

Seat Width	24"	24"	22"
Seat Depth	24"	24"	22"
Seat Height	32"	38"	13-1/2"

INFORMATION**Warranty**

Refer to KI Terms & Conditions document or visit
ki.com

TECHNICAL SPECIFICATIONS

Upholstered Seat & Backrest

Upholstered Seat & Back - Lounge Chair & High Back Lounge Chair

Backrest foam is 1³/₁₆" thick, is glued to a continuous curved Birch plywood structure, then upholstered using glue. Seat foam is 2¹/₂" thick, is glued to the seat structure, then upholstered using heat activated glue.

Upholstered Seat & Backrest - Stool

Foam is 2" thick single piece of polyurethane injection molded over a curved metal structure, then upholstered using heat activated glue.

Frames

Swivel Frame (with glides or casters)

Swivel frame bases are made of cast aluminum. A formed steel plate attaches to the underside of the seat using four fasteners. A metal support column connects the seat plate and the aluminum base, allowing for free rotation, utilizing a plastic bushing at the support column and base. Swivel frame with casters includes an additional black, plastic cap covering the support column. Swivel frames with glides and swivel frames with casters are geometrically different and not interchangeable without additional parts. Casters cannot be interchanged with felt glides or nylon glides and glides cannot be interchanged with casters on swivel frames.

Swivel Frame Finishes

Cast aluminum frames are either polished or finished with baked-on powder-coat paint in select KI standard finishes.

Wood Leg Frame

Plywood frame legs are made of 1³/₁₆" Birch plywood and are finished with a poly-based clear coated or stained in select KI colors to customer specification then clear coated. See Product Color Options in the Calida Lounge Furniture Pricelist. A steel plate connects to the chair and is welded to curved metal wire, which is then inserted, glued and fastened to the plywood legs. Wood Frame legs include black high-density polyethylene glides.

Sled Base Frame

Frame is formed from a 5/₈" square steel tubing and welded. Frames are finished with baked-on electrostatically-applied 30-degree gloss epoxy powder-coat paint in select KI colors to customer specification. See Product Color Options in the Calida Lounge Furniture Pricelist. Sled bases come equipped with nylon glides. Sled base chairs do not stack.

4-Leg Stool Frame

4-Leg Stool frames are available in 24" and 30" seat heights. Frames are made from 25 mm thick tubular steel with a reinforcing footring made of 12 mm steel wire welded to the tubular frame. Frames are finished with baked-on electrostatically-applied 30-degree gloss epoxy powder-coat paint in select KI colors to customer specification. See Product Color Options in the Calida Lounge Furniture Pricelist. Stool frames come equipped with either nylon or felt glides. Stools do not stack.

Glides

Swivel frame option is available with white felt glides or black nylon glides. Wood frame option includes black nylon glides. Stool is available with either black nylon or black felt glides. Sled base frame option includes black nylon glides.

Casters

Swivel frame option is available with 50 mm hooded casters. Casters are always soft-wheeled (for hard floors), are field-replaceable and only available in Black.

Table Frame

Plywood frame legs are made of 1³/₁₆" Birch plywood and are finished with a poly-based clear coated, or stained in select KI colors to customer specification then clear coated. See Product Color Options in the Calida Lounge Furniture Pricelist. A steel plate connects to the table underside and is welded to curved metal wire, which is then inserted, glued and fastened to the plywood legs. Legs include black high-density polyethylene glides.

Table Surface

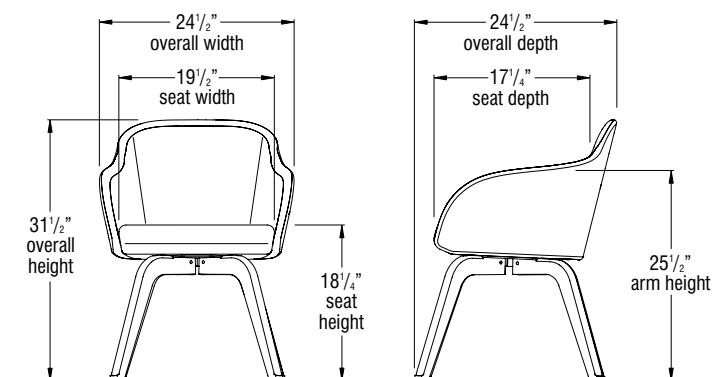
Tables are offered in 3/₄" thick high-density particleboard core with high-pressure laminate top and phenolic backing sheet. Total thickness of top is 7/₈". Tops are available with a 2 mm (73P) edge.

Compliance

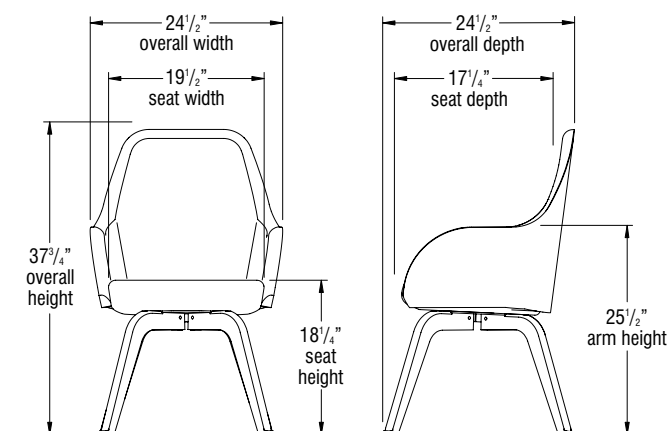
Seating passes BIFMA X5.4-2012 and KI's internal standard testing for 300-pound capacity.

DIMENSIONS

Calida Wood Leg Chair

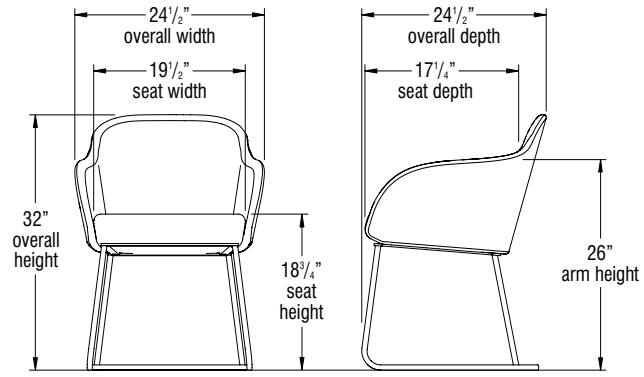


Calida High Back Wood Leg Chair

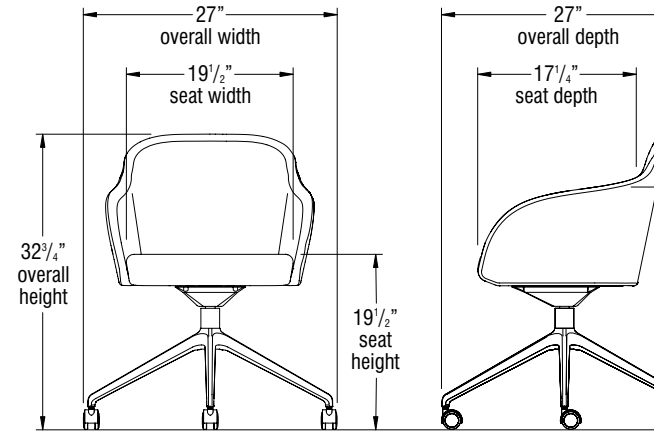




Calida Sled Base Chair

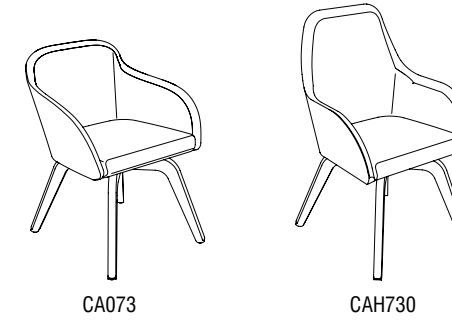


Calida Swivel Chair with Casters

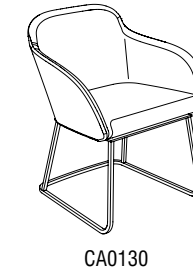


STATEMENT OF LINE

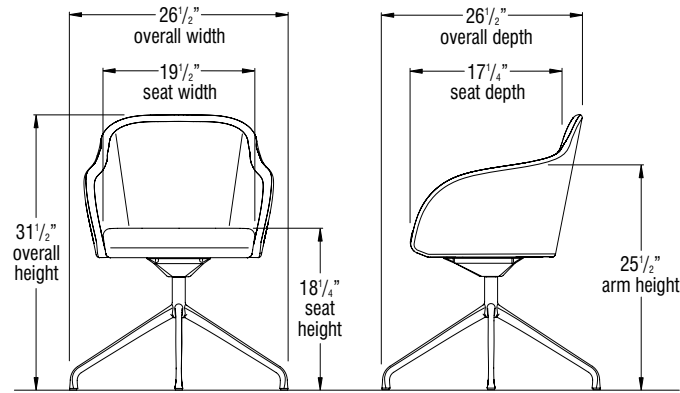
Calida Wood Leg Chair



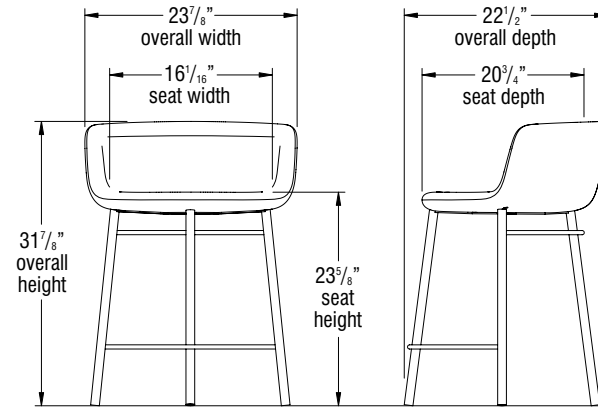
Calida Sled Base Chair



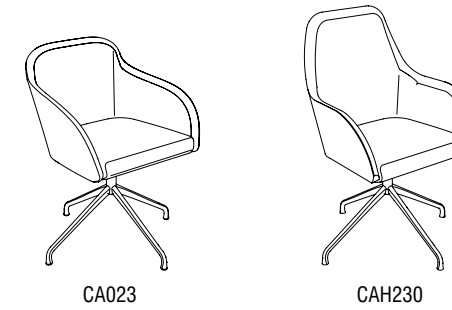
Calida Swivel Chair with Glides



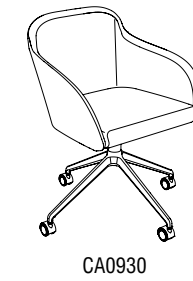
24" Calida 4-Leg Stool



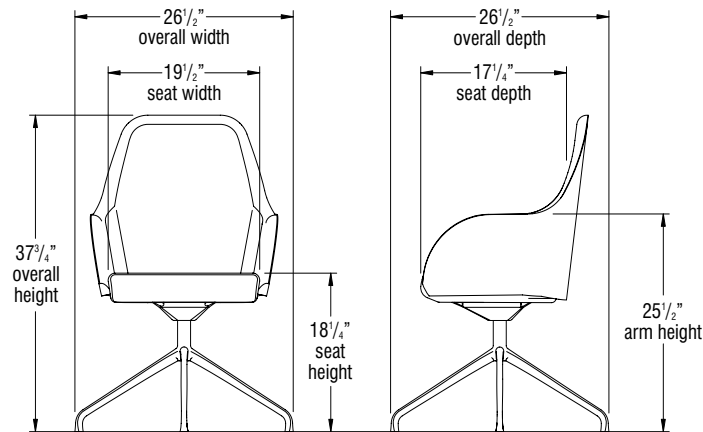
Calida Swivel Chair with Glides



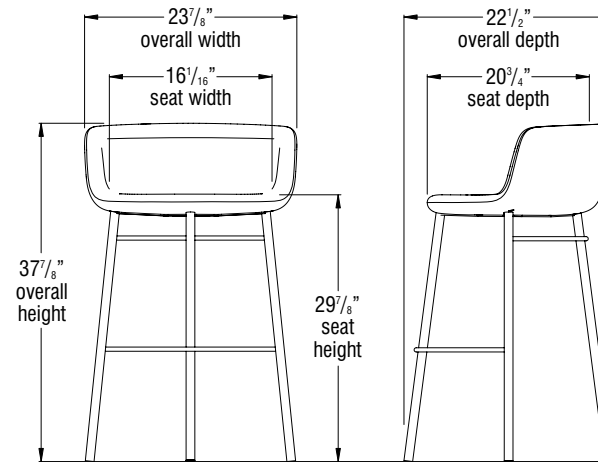
Calida Swivel Chair with Casters



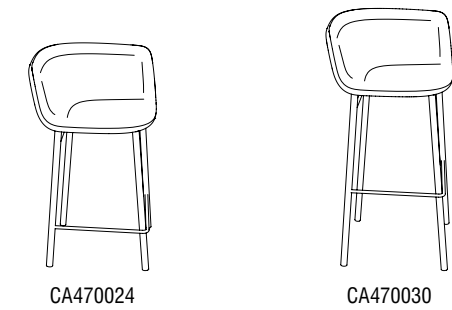
Calida High Back Swivel Chair with Glides



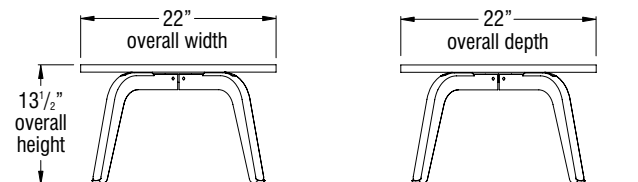
30" Calida 4-Leg Stool



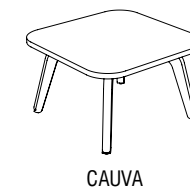
Calida 4-Leg Stool



Calida Occasional Table



Calida Occasional Table



**Wood Leg Color**

Cherry Storm on Plywood	YCX
Cinnamon on Plywood	YCN
Cocoa on Plywood	YCA
Eclipse Black on Plywood	YEB
Florence Walnut on Plywood	YFC
Monticello Maple on Plywood	YMT
Natural on Plywood	YNA
River Cherry on Plywood	YRY

Frame Color - Swivel or Caster Base Chair

Black	BL
Cottonwood	CO
Polished Aluminum	PA

Frame Color - Sled Base and Stool

Black	BL
Blue Grey	GR
Bronze Metallic	ZM
Cayenne	CY
Champagne Metallic	CM
Cool Grey	CG
Cottonwood	CO
Earthen Clay	EY
Espresso Metallic	EX
Everglade Shade	EV
Flannel	FN
Glitz Metallic	GZ
Hazy Jade	HJ
Honey Bee	HY
Light Tone	LG
Mardi Gras	MG
Misty Brown	MY
Nemo	NE
Nordic	ND
Poppy Red	PR
Purple Haze	PH
Rainforest	RQ
Raw Jasper	RJ
Rubber Ducky	RK
Sand	SA
Sky Blue	SK
Starlight Silver Metallic	SX
Surf's Up	SP
Tarragon	TQ
Twilight Shadow	TI
Ultra Blue	UB
Warm Grey	WG
Zesty Lime	ZL
Black Textured (Matte)	BLT
Cool Grey Textured (Matte)	CGT
Cottonwood Textured (Matte)	COT
Flannel Textured (Matte)	FNT
Warm Grey Textured (Matte)	WGT

Edge Color for 73P Edge

Akira	EAK
Beigewood	EBZ

Belair	EBQ
Biltmore Cherry	EBT
Black	EBL
Black Hills Oak	EBH
Blue Grey	EGR
Brighton Walnut	EBW
Castle Oak	ECO
Cayenne	ECY
Cherry Storm	ECX
Cocobala	ECC
Cool Grey	ECG
Cumberland Walnut	ECJ
Dering Forest	EDF
Designer White	EDR
Everglade Shade	EEV
Fawn Cypress	EFQ
Flannel	EFN
Florence Walnut	EFC
Friston Ash	EFH
Frosty White	EFW
Hartley Walnut	EHW
Hazy Jade	EHJ
Italian Silver Ash	EIT
Kensington Maple	EKM
Light Tone	ELG
Mardi Gras	EMG
Misty Brown	EMY
Monticello Maple	EMT
Multiplex	EMB
Nemo	ENE
Nordic	END
Pinnacle Walnut	EPW
Poppy Red	EPR
Rainforest	ERQ
Raleigh Walnut	ERW
River Cherry	ERY
Rubber Ducky	ERK
Sand	ESA
Sky Blue	ESK
Solano Walnut	ESG
Sterling Ash	EAZ
Surf's Up	ESP
Tarragon	ETQ
Twilight Shadow	ETI
Ultra Blue	EUB
Valley Forge Elm	EVF
Warm Grey	EWG
White River Forest	EWR
Windsor Mahogany	EWY
Zesty Lime	EZL

Surface Finish--Grade 1 Standard Laminate

Beigewood	LBZ
Belair	LBQ
Biltmore Cherry	LBT
Black	LBK
Brighton Walnut	LBW
Castle Oak	LCO

Cherry Storm	LCX
Classic Linen	LCI
Cocobala	LCC
Crisp Linen	LRI
Designer White	LDR
Dove Grey	LDG
Florence Walnut	LFC
Friston Ash	LFH
Frosty White	LFW
Graphite Nebula	LGN
Grey	LGE
High Rise	LHE
Hollyberry	LHY
Island	LID
Italian Silver Ash	LIT
Kensington Maple	LKM
Lapis Blue	LLB
Monticello Maple	LMT
North Sea	LNA
Ocean	LON
Pinnacle Walnut	LPW
River Cherry	LRV
Shadow Zephyr	LSR
Sterling Ash	LAZ
Titanium Evolv	LTV
White Nebula	LWL
White Sand	LWN
Windsor Mahogany	LWY

Surface Finish--Grade 2 Standard Laminate

Akira	LAK
Black Alicante	LBV
Black Hills Oak	LBH
Calcutta Marble	LCQ
Dering Forest	LDF
Fawn Cypress	LFQ
Ice Mist	LIM
Markerboard White	LMK
Valley Forge Elm	LVF
White River Forest	LWR

Surface Finish--Grade 3 Standard Laminate

Black Velvet	LBV
Cumberland Walnut	LCJ
Designer White Velvet	LDE
Hartley Walnut	LHW
Nile Velvet	LNL
Raleigh Walnut	LRW
Solano Walnut	LSG
Spruce Velvet	LSC



Finish Cards

View color swatches for items listed within this document.

Paints**Plastics/Poly****Wood/Veneer****Laminates****Molded Edges****Edge Styles****Hard Plastics****Glass**

Certain options referenced may not be available on GSA Schedule.



	MODEL	Features	MODEL NUMBER				Approx. Packaged Weight	Delivered Pricing
			Basic Model	Wood Leg Color	Glide Option	Upholstery Color		
 CA07	Calida Wood Leg Chair • Fully upholstered • Birch wood legs • C.O.M = 2.25 yd • Overall Dimensions: W=24.5" D=24.5" H=31.5" • Seat Dimensions: W=19.5" D=17.25" H=18.25"	Non-contrast	CA0730	<input type="checkbox"/> <input type="checkbox"/>	GPL	<input type="checkbox"/> <input type="checkbox"/> <input type="checkbox"/> <input type="checkbox"/>	36.00#	\$ 2061
 CAH7	Calida High Back Wood Leg • Fully upholstered • Birch wood legs • C.O.M = 2.75 yd • Overall Dimensions: W=24.5" D=24.5" H=37.75" • Seat Dimensions: W=19.5" D=17.25" H=18.25"	Non-contrast	CAH730	<input type="checkbox"/> <input type="checkbox"/>	GPL	<input type="checkbox"/> <input type="checkbox"/> <input type="checkbox"/> <input type="checkbox"/>	39.00#	\$ 2550
				A	B	C	D	

HOW TO ORDER

- Indicate the following information on order form:
- Quantity of each item.
 - Model number, including options. See "How To Build a Model Number".
 - Any special service required.

Note:

- The indicates that a choice is required.
- The absence of the indicates that no choice is required.
- Alpha-numeric characters in place of indicate that no other alternatives are available.

HOW TO BUILD A MODEL NUMBER

- A** Select basic model.
- B** Select wood leg color.
Refer to the **Product Color Options** page in this price list.
- C** Select glide option.
GPL - Plastic glides
- D** Select upholstery grade/color.
Refer to ki.com/fabrics.
• For yardage pricing, see Fabric Yardage Pricing page

SPECIAL SERVICES



Special Carton Marking

With specially marked information N/C

Shipping

Ships **assembled, FOB High Point, NC 27263, freight prepaid**. Freight class 125.

Specifications and prices are subject to change without prior notice.

	MODEL	Features	MODEL NUMBER				Approx. Packaged Weight	Delivered Pricing
			Basic Model	Swivel Frame Color	Glide Option	Upholstery Color		
 CA02	Calida Swivel Chair • Fully upholstered • C.O.M = 2.25 yd • Fixed height • Aluminum base construction • Overall Dimensions: W=26.5" D=26.5" H=31.5" • Seat Dimensions: W=19.5" D=17.25" H=18.25"	Non-contrast	CA0230	<input type="checkbox"/> <input type="checkbox"/>	<input type="checkbox"/> <input type="checkbox"/>	<input type="checkbox"/> <input type="checkbox"/> <input type="checkbox"/> <input type="checkbox"/>	35.00#	\$ 1970
 CAH2	Calida High Back Swivel Chair • Fully upholstered • C.O.M = 2.75 yd • Fixed height • Aluminum base construction • Overall Dimensions: W=26.5" D=26.5" H=37.75" • Seat Dimensions: W=19.5" D=17.25" H=18.25"	Non-contrast	CAH230	<input type="checkbox"/> <input type="checkbox"/>	<input type="checkbox"/> <input type="checkbox"/>	<input type="checkbox"/> <input type="checkbox"/> <input type="checkbox"/> <input type="checkbox"/>	37.00#	\$ 2514
			A	B	C	D		

HOW TO ORDER

Indicate the following information on order form:

- Quantity of each item.
- Model number, including options. See "How To Build a Model Number".
- Any special service required.

Note: • The indicates that a choice is required.

- The absence of the indicates that no choice is required.
- Alpha-numeric characters in place of indicate that no other alternatives are available.

HOW TO BUILD A MODEL NUMBER

- A** Select basic model.
- B** Select swivel frame color.
Refer to the **Product Color Options** page in this price list.
- C** Select glide option.
GFT - Felt glides
GPL - Plastic glides
- D** Select upholstery grade/color.
Refer to **ki.com/fabrics**.
• For yardage pricing, see Fabric Yardage Pricing page


SPECIAL SERVICES**Special Carton Marking**

With specially marked information N/C

ShippingShips **assembled, FOB High Point, NC 27263, freight prepaid**. Freight class 125.

Specifications and prices are subject to change without prior notice.



MODEL	Features	MODEL NUMBER				Approx. Packaged Weight	Delivered Pricing
		Basic Model	Swivel Frame Color	Casters	Upholstery Color		
 CA09 Calida Caster Base Chair • Fully upholstered • C.O.M = 2.25 yd • Fixed height • Aluminum base construction • Overall Dimensions: W=27" D=27" H=32.75" • Seat Dimensions: W=19.25" D=17.25" H=19.5"	Non-contrast	CA0930	<input type="checkbox"/> <input type="checkbox"/>	CST	<input type="checkbox"/> <input type="checkbox"/> <input type="checkbox"/> <input type="checkbox"/>	37.00#	\$ 2121
		A	B	C	D		

HOW TO ORDER

- Indicate the following information on order form:
- Quantity of each item.
 - Model number, including options. See "How To Build a Model Number".
 - Any special service required.

Note:

- The indicates that a choice is required.
- The absence of the indicates that no choice is required.
- Alpha-numeric characters in place of indicate that no other alternatives are available.

HOW TO BUILD A MODEL NUMBER

- A** Select basic model.
- B** Select swivel frame color.
Refer to the **Product Color Options** page in this price list.
- C** Select caster option.
CST - Casters
- D** Select upholstery grade/color.
Refer to **ki.com/fabrics**.
• For yardage pricing, see Fabric Yardage Pricing page

SPECIAL SERVICES

Special Carton Marking


With specially marked information N/C

Shipping

Ships **assembled, FOB High Point, NC 27263, freight prepaid**. Freight class 125.

Specifications and prices are subject to change without prior notice.



MODEL	Features	MODEL NUMBER				Approx. Packaged Weight	Delivered Pricing
		Basic Model	Frame Color	Glide Option	Upholstery Color		
 <p>CA01</p> <p>Calida Sled Base Chair</p> <ul style="list-style-type: none"> Fully upholstered C.O.M = 2.25 yd Inviting design Steel base construction Overall Dimensions: W=24.5" D=24.5" H=32" Seat Dimensions: W=19.25" D=17.25" H=18.75" 	Non-contrast	CA0130	<input type="checkbox"/> <input type="checkbox"/>	GPL	<input type="checkbox"/> <input type="checkbox"/> <input type="checkbox"/> <input type="checkbox"/>	36.00#	\$ 1996

A **B** **C** **D**

HOW TO ORDER

- Indicate the following information on order form:
- Quantity of each item.
 - Model number, including options. See "How To Build a Model Number".
 - Any special service required.

Note:

- The indicates that a choice is required.
- The absence of the indicates that no choice is required.
- Alpha-numeric characters in place of indicate that no other alternatives are available.

HOW TO BUILD A MODEL NUMBER

- A** Select basic model.
- B** Select frame color.
Refer to the **Product Color Options** page in this price list.
- C** Select glide option.
GPL - Plastic glides
- D** Select upholstery grade/color.
Refer to **ki.com/fabrics**.
• For yardage pricing, see Fabric Yardage Pricing page

SPECIAL SERVICES



Special Carton Marking

With specially marked information N/C

Shipping

Ships **assembled, FOB High Point, NC 27263, freight prepaid**. Freight class 125.

Specifications and prices are subject to change without prior notice.

	MODEL	Features	MODEL NUMBER				Approx. Packaged Weight	Delivered Pricing
			Basic Model	Frame Color	Glide Option	Upholstery Color		
 CA47	Calida Four-Leg Stools, 24" • Fully upholstered seat • C.O.M = 1.33 yd • Steel base construction • Stool models are non-stacking • Overall Dimensions: W=24" D=24" H=32" • Seat Dimensions: W=19.25" D=19.25" H=24"	Non-contrast	CA470024	<input type="checkbox"/>	<input type="checkbox"/>	<input type="checkbox"/>	26.00#	\$ 1219
 CA47	Calida Four-Leg Stools, 30" • Fully upholstered seat • C.O.M = 1.33 yd • Steel base construction • Stool models are non-stacking • Overall Dimensions: W=24" D=24" H=38" • Seat Dimensions: W=19.25" D=19.25" H=30"	Non-contrast	CA470030	<input type="checkbox"/>	<input type="checkbox"/>	<input type="checkbox"/>	28.00#	\$ 1234

A**B****C****D****HOW TO ORDER**

Indicate the following information on order form:

- Quantity of each item.
- Model number, including options. See "How To Build a Model Number".
- Any special service required.

Note: • The indicates that a choice is required.

- The absence of the indicates that no choice is required.
- Alpha-numeric characters in place of indicate that no other alternatives are available.

HOW TO BUILD A MODEL NUMBER


- A** Select basic model.
- B** Select frame color.
Refer to the **Product Color Options** page in this price list.
- C** Select glide option.
GPL - Plastic glides
- D** Select upholstery grade/color.
Refer to ki.com/fabrics.
• For yardage pricing, see Fabric Yardage Pricing page

SPECIAL SERVICES**Special Carton Marking**

With specially marked information N/C

ShippingShips **assembled, FOB High Point, NC 27263, freight prepaid**. Freight class 125.

Specifications and prices are subject to change without prior notice.

MODEL	W x D x H	MODEL NUMBER						Approx. Packaged Weight	Delivered Pricing	Laminate Grade 2 add to list price	Laminate Grade 3 add to list price
		Basic Model	Top Style	Glide Option	Edge Color	Surface Finish	Wood Leg Color				
 CAUVA Calida Occasional Table • Birch wood legs • 7/8" thick top	22 x 22 x 13.5	CAUVA2020	73P	GPL	<input type="checkbox"/> <input type="checkbox"/>	<input type="checkbox"/> <input type="checkbox"/>	<input type="checkbox"/> <input type="checkbox"/>	0.00#	\$ 1086	\$ 19	\$ 120
		A	B	C	D	E	F				

HOW TO ORDER

Indicate the following information on order form:

- Quantity of each item.
- Model number, including options. See "How To Build a Model Number".
- Any special service required.

Note: • The indicates that a choice is required.

- The absence of the indicates that no choice is required.
- Alpha-numeric characters in place of indicate that no other alternatives are available.

HOW TO BUILD A MODEL NUMBER

- A** Select basic model.
- B** Select top style.
73P - 73P edge
- C** Select glide option.
GPL - Plastic glides
- D** Select edge color.
Refer to the **Product Color Options** page in this price list.
- E** Select surface finish.
Refer to the **Product Color Options** page in this price list.
Refer to the **Product Color Options** page in this price list.
- F** Select wood leg color.
Refer to the **Product Color Options** page in this price list.

FINISH INFORMATION

ADDITIONAL LAMINATE OFFERING

KI offers laminates beyond those offered in the standard offering. Laminates that are currently available in the program can be viewed in KI product specification tools. Requests to add laminates to the program can be submitted via the product modification request process. Please note, requests to add laminates to the program must include the laminate manufacturers name, color/pattern number, and finish code. Edge options are limited to standard edge colors. If a matching edge is required, this will need to be requested thru the product modification request process and may be subject to additional costs. Due to varying manufacturing processes and quality issues with some laminates, some requests may be denied. Extended lead times and minimum order quantities may apply on orders containing special laminates. Contact the product modification team for questions or additional information regarding special laminates and pricing.

SPECIAL SERVICES**Special Carton Marking**

With specially marked information N/C

Shipping

Ships **assembled, FOB High Point, NC 27263, freight prepaid.** Freight class 125.

Specifications and prices are subject to change without prior notice.



1330 BELLEVUE STREET
GREEN BAY, WI 54302
800.424.2432 / KI.COM

KI is a trusted expert for furniture and wall systems around the globe.
USA | CANADA | MEXICO | UK | EUROPE | ASIA | MIDDLE EAST
© 2026 Krueger International, Inc. All Rights Reserved.