



**CIVARA<sup>TM</sup>**  
**TASK SEATING**

---

PRICE LIST

EFFECTIVE FEBRUARY 18, 2026  
800.424.2432



---

<b>Ordering Customer's Own Material (C.O.M.) Upholstery</b>	
Information	3

---

<b>Civara™ Task Chairs and Stools</b>	
Technical Specifications	4
Product Color Options	8
Upholstered Back Task Chair	8
Upholstered Back Task Stool	10
Mesh Back Task Chair	12
Mesh Back Task Stool	14



## TECHNICAL SPECIFICATIONS

### Synchro Tilt Mechanism

Mechanism is constructed of stamped steel. The backrest tension knob has four distinct adjustment positions; from upright to full recline. A seat slide lever provides for 2<sup>3</sup>/<sub>4</sub>" of seat front to-backrest travel, from 15<sup>1</sup>/<sub>2</sub>" to 18<sup>1</sup>/<sub>4</sub>". Synchro tilt mechanism is not available on task stools.

### Cylinder

Heavy duty adjustable-height cylinders are offered in three heights and will always be black.

#### Low-Height Cylinder

The low-height cylinder has 3<sup>1</sup>/<sub>2</sub>" of travel, adjusting from 16" to 19<sup>1</sup>/<sub>2</sub>" seat height. Low-height cylinders are only available on task chairs.

#### Standard-Height Cylinder

The standard-height cylinder has 4<sup>3</sup>/<sub>4</sub>" of travel, adjusting from 17<sup>1</sup>/<sub>2</sub>" to 22<sup>1</sup>/<sub>4</sub>" seat height.

#### Stool Cylinder

Stool cylinders adjust 7<sup>1</sup>/<sub>4</sub>" of travel, from 22<sup>1</sup>/<sub>2</sub>" to 29<sup>3</sup>/<sub>4</sub>" seat height.

### Seat

Upholstered seat construction is polypropylene seat board with 2<sup>1</sup>/<sub>2</sub>" of high resiliency (HR) foam featuring a simple waterfall front edge. Foam passes CA TB-117-2013 standard. Seat width is 19". The seat shroud color matches the frame color choice.

### Backrest

Reinforced plastic frame available in black, white or warm gray with mesh insert available in five colors. An upholstered option is available for added comfort and aesthetic choices, which uses a 3.7 lb high-density molded foam that passes CA TB-117-2013 standard. The rear of the upholstered backrest is a plastic shroud which is color matched to the frame. The backrest offers 3<sup>1</sup>/<sub>4</sub>" of height adjustment, with twenty distinct audible click positions.

### Bases

The chair and stool offer two options; a 5-Star nylon base or a 5-Star aluminum base.

### Casters

Casters are 60 mm O.D., double-wheel high-impact nylon, and are designed for use on both commercial carpet and hard floor applications. Each standard caster is black only while the designer caster is black with a white diameter stripe.

### Arms

Task chairs and stools are available armless or specified with arms. 4D arms are adjustable, by width, height, and each with a sliding and pivoting arm pad. Arm height is adjusted by a lever underneath the arm pad from 6" to 10<sup>1</sup>/<sub>2</sub>" above the seat. Arm pads each move side-to-side by 2<sup>1</sup>/<sub>2</sub>". The arm pad slides 2" forward and backward, and pivots at an available desired angle, 15 degrees inside and 15 degrees outside. Total movement 30 degrees. Arm pads are black only.

### Headrest

The optional headrest has adjustment of 2<sup>1</sup>/<sub>2</sub>". When the chair back is mesh, the headrest is also mesh. In the instance of an upholstered back, the headrest is upholstered. In both cases, the headrest surface material will match what is applied to the backrest.

### Lumbar

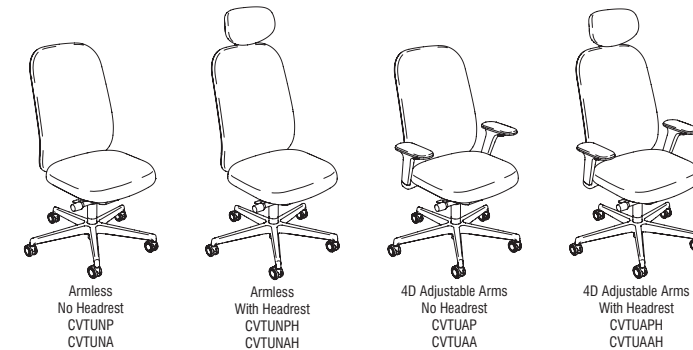
Adjustable-height lumbar mechanism is included as standard. On mesh back chairs, the mechanism is pressed inward to apply pressure to the users back. On upholstered chairs, lift the lumbar support up or down to the proper height.

### Foot Ring

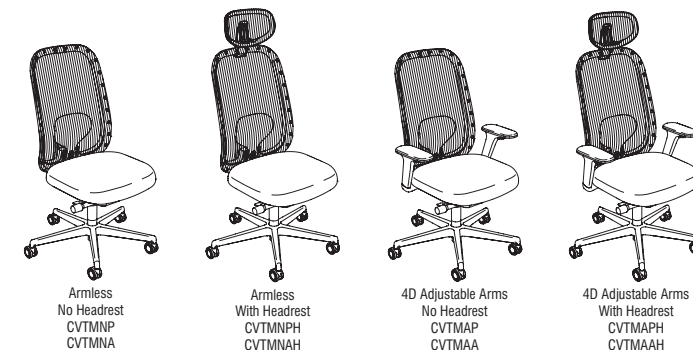
Stools are equipped with an adjustable-height foot ring which features a twist-to-lock in place adjustment. Foot ring is 20" diameter tubular steel with four spokes. The color is always black.

## STATEMENT OF LINE

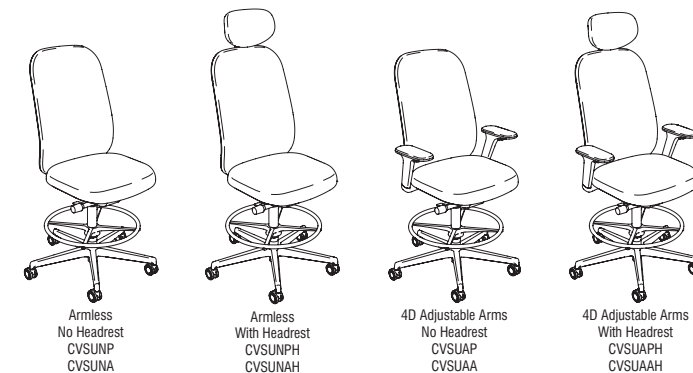
### Civara Upholstered Back Task Chairs



### Civara Mesh Back Task Chairs

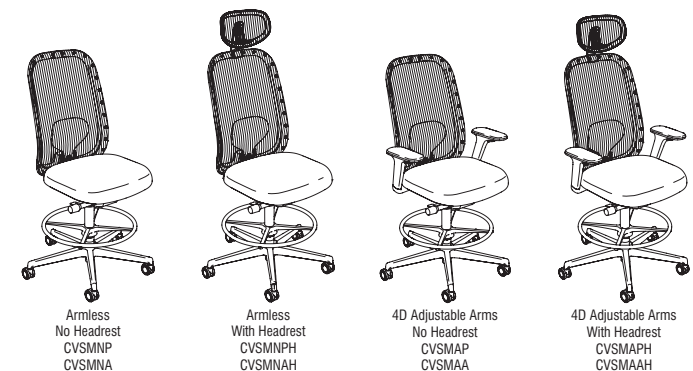


### Civara Upholstered Back Task Stools



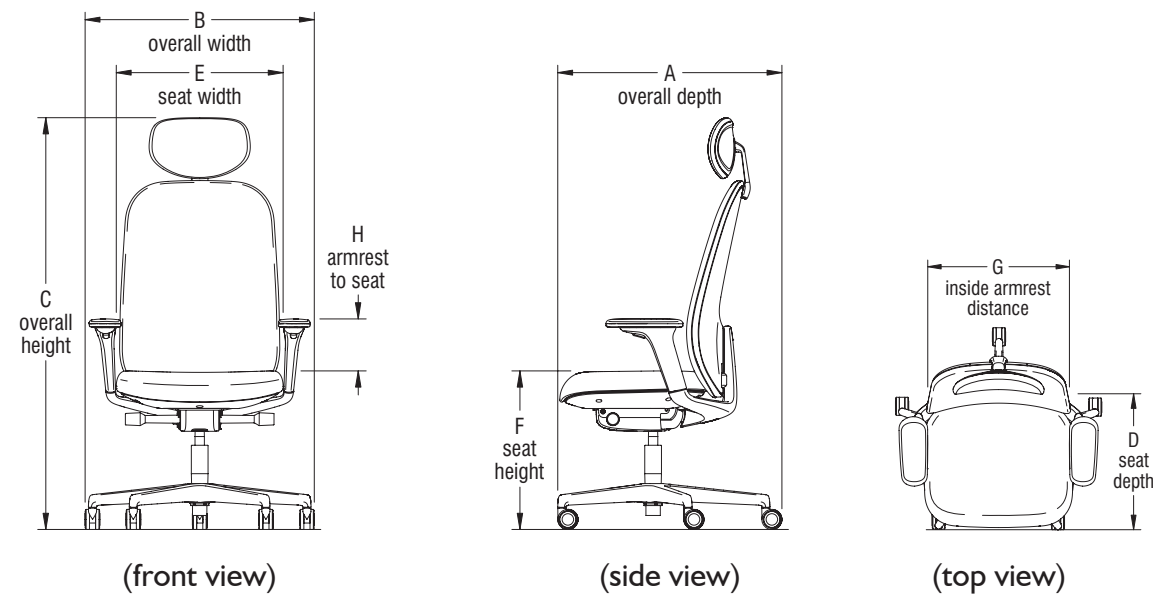
6

### Civara Mesh Back Task Stools

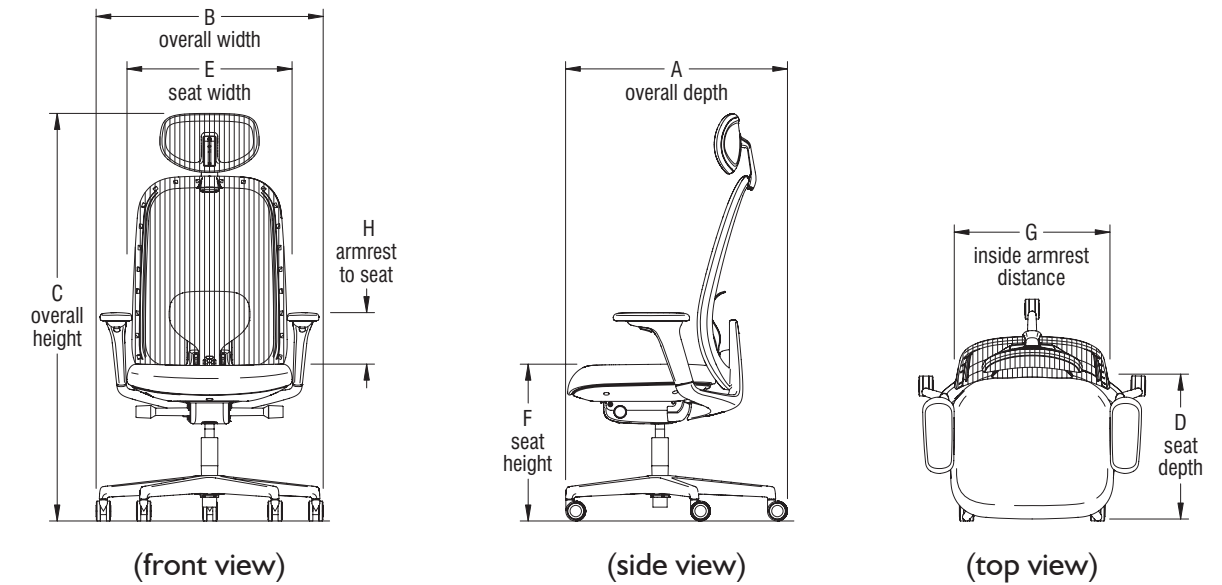



**DIMENSIONS**
**Civara Upholstered Back Task Chairs**

Model Number	A Overall Depth	B Overall Width	C Overall Height (Standard)	C Overall Height (Low-Height)	D Seat Depth	E Seat Width	F Seat Height (Standard)	F Seat Height (Low-Height)	G Inside Armrest Distance	H Armrest to Seat	Backrest Height Range	Headrest Travel Range
CVTUNP	29 1/2"	28"	41" - 48 1/2"	39 1/2" - 46"	15 1/2" - 18 1/4"	19 11/16"	17 1/2" - 22 1/4"	16" - 19 1/2"	N/A	N/A	3"	N/A
CVTUNA	29 1/2"	28"	41" - 48 1/2"	39 1/2" - 46"	15 1/2" - 18 1/4"	19 11/16"	17 1/2" - 22 1/4"	16" - 19 1/2"	N/A	N/A	3"	N/A
CVTUNPH	29 1/2"	28"	48" - 57 3/4"	46 3/4" - 55"	15 1/2" - 18 1/4"	19 11/16"	17 1/2" - 22 1/4"	16" - 19 1/2"	N/A	N/A	3"	2 1/2"
CVTUNAH	29 1/2"	28"	48" - 57 3/4"	46 3/4" - 55"	15 1/2" - 18 1/4"	19 11/16"	17 1/2" - 22 1/4"	16" - 19 1/2"	N/A	N/A	3"	2 1/2"
CVTUAP	29 1/2"	28"	41" - 48 1/2"	39 1/2" - 46"	15 1/2" - 18 1/4"	19 11/16"	17 1/2" - 22 1/4"	16" - 19 1/2"	17 1/2" - 20"	6" - 10 1/2"	3"	N/A
CVTUAA	29 1/2"	28"	41" - 48 1/2"	39 1/2" - 46"	15 1/2" - 18 1/4"	19 11/16"	17 1/2" - 22 1/4"	16" - 19 1/2"	17 1/2" - 20"	6" - 10 1/2"	3"	N/A
CVTUAPH	29 1/2"	28"	48" - 57 3/4"	46 3/4" - 55"	15 1/2" - 18 1/4"	19 11/16"	17 1/2" - 22 1/4"	16" - 19 1/2"	17 1/2" - 20"	6" - 10 1/2"	3"	2 1/2"
CVTUAH	29 1/2"	28"	48" - 57 3/4"	46 3/4" - 55"	15 1/2" - 18 1/4"	19 11/16"	17 1/2" - 22 1/4"	16" - 19 1/2"	17 1/2" - 20"	6" - 10 1/2"	3"	2 1/2"

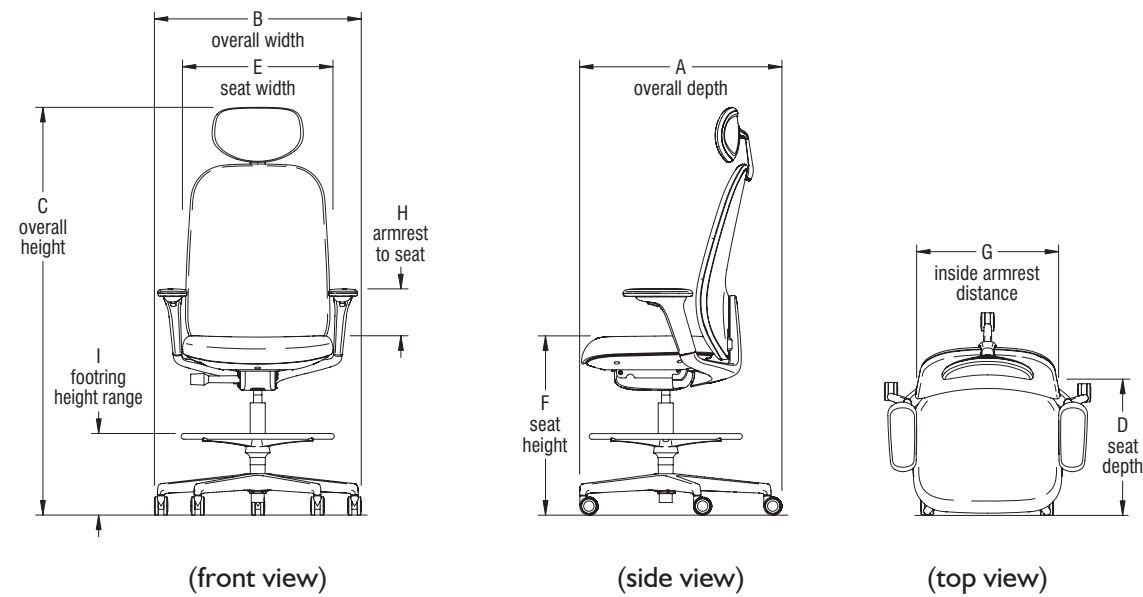

**DIMENSIONS**
**Civara Mesh Back Task Chairs**

Model Number	A Overall Depth	B Overall Width	C Overall Height (Standard)	C Overall Height (Low-Height)	D Seat Depth	E Seat Width	F Seat Height (Standard)	F Seat Height (Low-Height)	G Inside Armrest Distance	H Armrest to Seat	Backrest Height Range	Headrest Travel Range
CVTMNP	29 1/2"	28"	41" - 48 1/2"	39 1/2" - 46"	15 1/2" - 18 1/4"	19 11/16"	17 1/2" - 22 1/4"	16" - 19 1/2"	N/A	N/A	3"	N/A
CVTMNA	29 1/2"	28"	41" - 48 1/2"	39 1/2" - 46"	15 1/2" - 18 1/4"	19 11/16"	17 1/2" - 22 1/4"	16" - 19 1/2"	N/A	N/A	3"	N/A
CVTMNPH	29 1/2"	28"	48" - 57 3/4"	46 3/4" - 55"	15 1/2" - 18 1/4"	19 11/16"	17 1/2" - 22 1/4"	16" - 19 1/2"	N/A	N/A	3"	2 1/2"
CVTMNAH	29 1/2"	28"	48" - 57 3/4"	46 3/4" - 55"	15 1/2" - 18 1/4"	19 11/16"	17 1/2" - 22 1/4"	16" - 19 1/2"	N/A	N/A	3"	2 1/2"
CVTMAP	29 1/2"	28"	41" - 48 1/2"	39 1/2" - 46"	15 1/2" - 18 1/4"	19 11/16"	17 1/2" - 22 1/4"	16" - 19 1/2"	17 1/2" - 20"	6" - 10 1/2"	3"	N/A
CVTMAA	29 1/2"	28"	41" - 48 1/2"	39 1/2" - 46"	15 1/2" - 18 1/4"	19 11/16"	17 1/2" - 22 1/4"	16" - 19 1/2"	17 1/2" - 20"	6" - 10 1/2"	3"	N/A
CVTMAPH	29 1/2"	28"	48" - 57 3/4"	46 3/4" - 55"	15 1/2" - 18 1/4"	19 11/16"	17 1/2" - 22 1/4"	16" - 19 1/2"	17 1/2" - 20"	6" - 10 1/2"	3"	2 1/2"
CVTMAAH	29 1/2"	28"	48" - 57 3/4"	46 3/4" - 55"	15 1/2" - 18 1/4"	19 11/16"	17 1/2" - 22 1/4"	16" - 19 1/2"	17 1/2" - 20"	6" - 10 1/2"	3"	2 1/2"

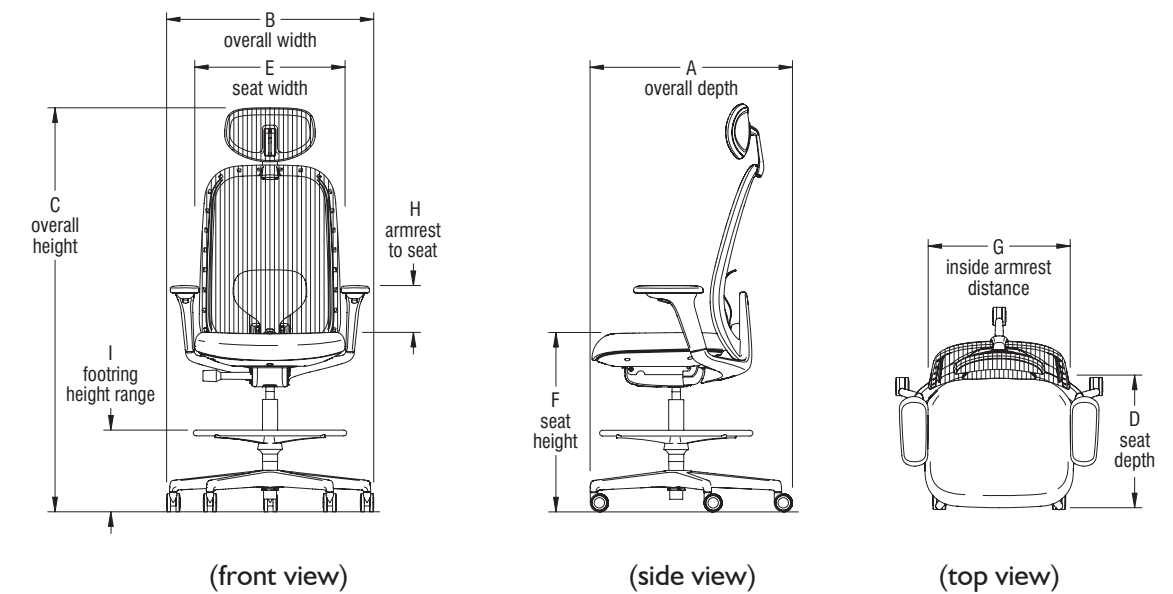
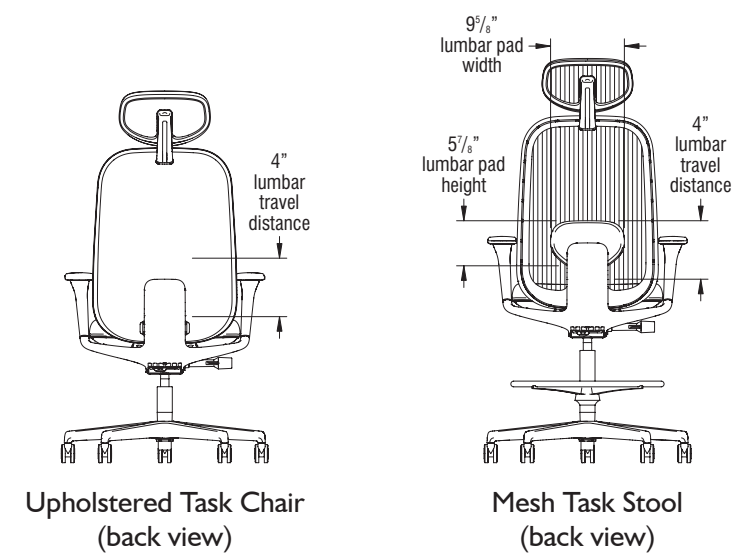



**DIMENSIONS**
**Civara Upholstered Back Task Stools**

Model Number	A Overall Depth	B Overall Width	C Overall Height	D Seat Depth	E Seat Width	F Seat Height	G Inside Armrest Distance	H Armrest to Seat	I Foot Ring Height Range	Backrest Height Range	Headrest Travel Range
CVSUNP	29 1/2"	28"	44 1/4" - 54 3/4"	16 1/2"	19 11/16"	22 1/2" - 29 3/4"	N/A	N/A	8 1/2" - 14 1/2"	3"	N/A
CVSUNA	29 1/2"	28"	44 1/4" - 54 3/4"	16 1/2"	19 11/16"	22 1/2" - 29 3/4"	N/A	N/A	8 1/2" - 14 1/2"	3"	N/A
CVSUNPH	29 1/2"	28"	51 1/2" - 64 1/2"	16 1/2"	19 11/16"	22 1/2" - 29 3/4"	N/A	N/A	8 1/2" - 14 1/2"	3"	2 1/2"
CVSUNAH	29 1/2"	28"	51 1/2" - 64 1/2"	16 1/2"	19 11/16"	22 1/2" - 29 3/4"	N/A	N/A	8 1/2" - 14 1/2"	3"	2 1/2"
CVSUAP	29 1/2"	28"	44 1/4" - 54 3/4"	16 1/2"	19 11/16"	22 1/2" - 29 3/4"	17 1/2" - 20"	6" - 10 1/2"	8 1/2" - 14 1/2"	3"	N/A
CVSUAA	29 1/2"	28"	44 1/4" - 54 3/4"	16 1/2"	19 11/16"	22 1/2" - 29 3/4"	17 1/2" - 20"	6" - 10 1/2"	8 1/2" - 14 1/2"	3"	N/A
CVSUAPH	29 1/2"	28"	51 1/2" - 64 1/2"	16 1/2"	19 11/16"	22 1/2" - 29 3/4"	17 1/2" - 20"	6" - 10 1/2"	8 1/2" - 14 1/2"	3"	2 1/2"
CVSUAAH	29 1/2"	28"	51 1/2" - 64 1/2"	16 1/2"	19 11/16"	22 1/2" - 29 3/4"	17 1/2" - 20"	6" - 10 1/2"	8 1/2" - 14 1/2"	3"	2 1/2"


**DIMENSIONS**
**Civara Mesh Back Task Stools**

Model Number	A Overall Depth	B Overall Width	C Overall Height	D Seat Depth	E Seat Width	F Seat Height	G Inside Armrest Distance	H Armrest to Seat	I Foot Ring Height Range	Backrest Height Range	Headrest Travel Range
CVSMNP	29 1/2"	28"	44 1/4" - 54 3/4"	16 1/2"	19 11/16"	22 1/2" - 29 3/4"	N/A	N/A	8 1/2" - 14 1/2"	3"	N/A
CVSMNA	29 1/2"	28"	44 1/4" - 54 3/4"	16 1/2"	19 11/16"	22 1/2" - 29 3/4"	N/A	N/A	8 1/2" - 14 1/2"	3"	N/A
CVSMNPH	29 1/2"	28"	51 1/2" - 64 1/2"	16 1/2"	19 11/16"	22 1/2" - 29 3/4"	N/A	N/A	8 1/2" - 14 1/2"	3"	2 1/2"
CVSMNAH	29 1/2"	28"	51 1/2" - 64 1/2"	16 1/2"	19 11/16"	22 1/2" - 29 3/4"	N/A	N/A	8 1/2" - 14 1/2"	3"	2 1/2"
CVSMAP	29 1/2"	28"	44 1/4" - 54 3/4"	16 1/2"	19 11/16"	22 1/2" - 29 3/4"	17 1/2" - 20"	6" - 10 1/2"	8 1/2" - 14 1/2"	3"	N/A
CVSMAA	29 1/2"	28"	44 1/4" - 54 3/4"	16 1/2"	19 11/16"	22 1/2" - 29 3/4"	17 1/2" - 20"	6" - 10 1/2"	8 1/2" - 14 1/2"	3"	N/A
CVSMAPH	29 1/2"	28"	51 1/2" - 64 1/2"	16 1/2"	19 11/16"	22 1/2" - 29 3/4"	17 1/2" - 20"	6" - 10 1/2"	8 1/2" - 14 1/2"	3"	2 1/2"
CVSMAAH	29 1/2"	28"	51 1/2" - 64 1/2"	16 1/2"	19 11/16"	22 1/2" - 29 3/4"	17 1/2" - 20"	6" - 10 1/2"	8 1/2" - 14 1/2"	3"	2 1/2"


**Civara Lumbar Support Dimensions**






**Mesh Color**

Black Mesh	MBL
Charcoal Mesh	MCH
Fog Mesh	MFO
Nickel Mesh	MNL
Ocean Mesh	MON

**Frame Color**

Black	BL
White	WH
Warm Grey	WG



MODEL	Features	MODEL NUMBER					Approx. Packaged Weight	Delivered Pricing Fabric Grade 1 & C.O.M.	Delivered Pricing Fabric Grade 2	Delivered Pricing Fabric Grade 3	Delivered Pricing Vinyl Group 2V	Delivered Pricing Pallas Fabric Group P0	Delivered Pricing Pallas Fabric Group P1	Delivered Pricing Pallas Fabric Group P2	Delivered Pricing Pallas Fabric Group P3	
		Basic Model	Frame Color	Caster Type	Cylinder Option	Upholstery Color										
 CVTUA	<b>Upholstered Back Task Chair, 5-Star Plastic Base, 4D Arm</b> • Synchron tilt mechanism • Optional headrest • Vertically adjustable backrest • Height-adjustable lumbar mechanism • 4D arm • Seat height adjustment • Seat depth adjustment • Back lock • Back tension adjustment • Standard or low-height cylinder • Backrest, Armrest and 5-Star base available in Black, White or Warm Grey • Standard caster (black) or Designer Caster in Black/Cottonwood • 300 pound weight rating	No Headrest	CVTUAP	<input type="checkbox"/>	<input type="checkbox"/>	<input type="checkbox"/>	<input type="checkbox"/>	52.00#	\$ 1116	\$ 1250	\$ 1273	\$ 1250	\$ 1310	\$ 1344	\$ 1379	\$ 1414
	With Headrest	CVTUAPH	<input type="checkbox"/>	<input type="checkbox"/>	<input type="checkbox"/>	<input type="checkbox"/>	53.00#	1275	1353	1376	1353	1413	1447	1482	1517	
 CVTUN	<b>Upholstered Back Task Chair, 5-Star Plastic Base, Armless</b> • Synchron tilt mechanism • Optional headrest • Vertically adjustable backrest • Height-adjustable lumbar mechanism • Armless • Seat height adjustment • Seat depth adjustment • Back lock • Back tension adjustment • Standard or low-height cylinder • Backrest, Armrest and 5-Star base available in Black, White or Warm Grey • Standard caster (black) or Designer Caster in Black/Cottonwood • 300 pound weight rating	No Headrest	CVTUNP	<input type="checkbox"/>	<input type="checkbox"/>	<input type="checkbox"/>	<input type="checkbox"/>	47.00#	\$ 1031	\$ 1107	\$ 1131	\$ 1107	\$ 1167	\$ 1202	\$ 1236	\$ 1271
	With Headrest	CVTUNPH	<input type="checkbox"/>	<input type="checkbox"/>	<input type="checkbox"/>	<input type="checkbox"/>	48.00#	1079	1152	1175	1152	1209	1242	1275	1308	

**A** **B** **C** **D** **E**

### HOW TO ORDER

- Indicate the following information on order form:
- Quantity of each item.
  - Model number, including options. See "How To Build a Model Number".
  - Any special service required.

Note:

- The  indicates that a choice is required.
- The absence of the  indicates that no choice is required.
- Alpha-numeric characters in place of  indicate that no other alternatives are available.

### HOW TO BUILD A MODEL NUMBER

- A** Select basic model.
- B** Select frame color.
 

<b>BL</b>	- Black
<b>WG</b>	- Warm Grey; add \$84
<b>WH</b>	- White

 Refer to the **Product Color Options** page in this price list.
- C** Select caster option.
 

<b>C</b>	- Dual surface casters, black (standard)
<b>BC</b>	- Dual surface casters, black/white; add \$19
- D** Select cylinder option.
 

<b>L</b>	- Low height cylinder (15.75" - 19.25")
<b>S</b>	- Standard height cylinder (17" - 22")
- E** Select upholstery grade/color. Refer to [ki.com/fabrics](http://ki.com/fabrics)

### UPHOLSTERY INFORMATION

**COM. Upholstery**  
 COM. requirement for 10 chairs or less with upholstered back is 1.5 yard per chair of 54" wide nondirectional fabric. For orders of 11 or more and for complete information on ordering C.O.M. see "Ordering Customer's Own Material (C.O.M) Upholstery." section.



### SPECIAL SERVICES

**Special Carton Marking**  
 With specially marked information N/C

**Shipping**  
**Ships knocked down, FOB Sheboygan, WI 53081, freight prepaid.**

Specifications and prices are subject to change without prior notice.



	MODEL	Features	MODEL NUMBER					Approx. Packaged Weight	Delivered Pricing Fabric Grade 1 & C.O.M.	Delivered Pricing Fabric Grade 2	Delivered Pricing Fabric Grade 3	Delivered Pricing Vinyl Group 2V	Delivered Pricing Pallas Fabric Group P0	Delivered Pricing Pallas Fabric Group P1	Delivered Pricing Pallas Fabric Group P2	Delivered Pricing Pallas Fabric Group P3
			Basic Model	Frame Color	Caster Type	Cylinder Option	Upholstery Color									
 CVTUA	<b>Upholstered Back Task Chair, 5-Star Aluminum Base, 4D Arm</b>	No Headrest	CVTUA	<input type="checkbox"/>	<input type="checkbox"/>	<input type="checkbox"/>	<input type="checkbox"/>	54.00#	\$ 1249	\$ 1326	\$ 1350	\$ 1326	\$ 1385	\$ 1420	\$ 1455	\$ 1489
	<ul style="list-style-type: none"> <li>• Synchron tilt mechanism</li> <li>• Optional headrest</li> <li>• Vertically adjustable backrest</li> <li>• Height-adjustable lumbar mechanism</li> <li>• 4D arm</li> <li>• Seat height adjustment</li> <li>• Seat depth adjustment</li> <li>• Back lock</li> <li>• Back tension adjustment</li> <li>• Standard or low-height cylinder</li> <li>• Backrest and armrest available in Black, White or Warm Grey</li> <li>• 5-Star base in polished aluminum</li> <li>• Standard caster (black) or Designer Caster in Black/Cottonwood</li> <li>• 300 pound weight rating</li> </ul>	With Headrest	CVTUAH	<input type="checkbox"/>	<input type="checkbox"/>	<input type="checkbox"/>	<input type="checkbox"/>	55.00#	1352	1428	1453	1428	1488	1523	1558	1592
 CVTUN	<b>Upholstered Back Task Chair, 5-Star Aluminum Base, Armless</b>	No Headrest	CVTUNA	<input type="checkbox"/>	<input type="checkbox"/>	<input type="checkbox"/>	<input type="checkbox"/>	49.00#	\$ 1106	\$ 1184	\$ 1207	\$ 1184	\$ 1244	\$ 1278	\$ 1313	\$ 1348
	<ul style="list-style-type: none"> <li>• Synchron tilt mechanism</li> <li>• Optional headrest</li> <li>• Vertically adjustable backrest</li> <li>• Height-adjustable lumbar mechanism</li> <li>• Armless</li> <li>• Seat height adjustment</li> <li>• Seat depth adjustment</li> <li>• Back lock</li> <li>• Back tension adjustment</li> <li>• Standard or low-height cylinder</li> <li>• Backrest and armrest available in Black, White or Warm Grey</li> <li>• 5-Star base in polished aluminum</li> <li>• Standard caster (black) or Designer Caster in Black/Cottonwood</li> <li>• 300 pound weight rating</li> </ul>	With Headrest	CVTUNAH	<input type="checkbox"/>	<input type="checkbox"/>	<input type="checkbox"/>	<input type="checkbox"/>	50.00#	1209	1287	1310	1287	1347	1381	1416	1451
			<b>A</b>	<b>B</b>	<b>C</b>	<b>D</b>	<b>E</b>									

### HOW TO ORDER

- Indicate the following information on order form:
1. Quantity of each item.
  2. Model number, including options. See "How To Build a Model Number".
  3. Any special service required.

Note:

- The  indicates that a choice is required.
- The absence of the  indicates that no choice is required.
- Alpha-numeric characters in place of  indicate that no other alternatives are available.

### HOW TO BUILD A MODEL NUMBER

- A** Select basic model.
- B** Select frame color.
 

<b>BL</b>	- Black
<b>WG</b>	- Warm Grey; add \$84
<b>WH</b>	- White

 Refer to the **Product Color Options** page in this price list.
- C** Select caster option.
 

<b>C</b>	- Dual surface casters, black (standard)
<b>BC</b>	- Dual surface casters, black/white; add \$19
- D** Select cylinder option.
 

<b>L</b>	- Low height cylinder (15.75" - 19.25")
<b>S</b>	- Standard height cylinder (17" - 22")
- E** Select upholstery grade/color. Refer to [ki.com/fabrics](http://ki.com/fabrics)

### UPHOLSTERY INFORMATION

**COM. Upholstery**  
 COM. requirement for 10 chairs or less with upholstered back is 1.5 yard per chair of 54" wide nondirectional fabric. For orders of 11 or more and for complete information on ordering C.O.M. see "Ordering Customer's Own Material (C.O.M) Upholstery." section.

### SPECIAL SERVICES



#### Special Carton Marking

With specially marked information N/C

**Shipping**  
**Ships knocked down, FOB Sheboygan, WI 53081, freight prepaid.**

Specifications and prices are subject to change without prior notice.



MODEL	Features	MODEL NUMBER				Approx. Packaged Weight	Delivered Pricing Fabric Grade 1 & C.O.M.	Delivered Pricing Fabric Grade 2	Delivered Pricing Fabric Grade 3	Delivered Pricing Vinyl Group 2V	Delivered Pricing Pallas Fabric Group P0	Delivered Pricing Pallas Fabric Group P1	Delivered Pricing Pallas Fabric Group P2	Delivered Pricing Pallas Fabric Group P3
		Basic Model	Frame Color	Caster Type	Upholstery Color									
 CVSUA <b>Upholstered Back Task Stool, 5-Star Plastic Base, 4D Arm</b> • Synchron tilt mechanism • Optional headrest • Vertically adjustable backrest • Height-adjustable lumbar mechanism • 4D arm • Seat height adjustment • Seat depth adjustment • Back lock • 20" twist-to-lock foot ring • Backrest, Armrest and 5-Star base available in Black, White or Warm Grey • Standard caster (black) or Designer Caster in Black/Cottonwood • 300 pound weight rating	No Headrest	CVSUAP	<input type="checkbox"/>	<input type="checkbox"/>	<input type="checkbox"/>	59.00#	\$ 1306	\$ 1383	\$ 1406	\$ 1383	\$ 1443	\$ 1478	\$ 1512	\$ 1547
	With Headrest	CVSUAPH	<input type="checkbox"/>	<input type="checkbox"/>	<input type="checkbox"/>	60.00#	1409	1486	1509	1486	1546	1581	1615	1650
 CVSUN <b>Upholstered Back Task Stool, 5-Star Plastic Base, Armless</b> • Synchron tilt mechanism • Optional headrest • Vertically adjustable backrest • Height-adjustable lumbar mechanism • Armless • Seat height adjustment • Seat depth adjustment • Back lock • 20" twist-to-lock foot ring • Backrest, Armrest and 5-Star base available in Black, White or Warm Grey • Standard caster (black) or Designer Caster in Black/Cottonwood • 300 pound weight rating	No Headrest	CVSUNP	<input type="checkbox"/>	<input type="checkbox"/>	<input type="checkbox"/>	54.00#	\$ 1164	\$ 1241	\$ 1265	\$ 1241	\$ 1300	\$ 1335	\$ 1370	\$ 1404
	With Headrest	CVSUNPH	<input type="checkbox"/>	<input type="checkbox"/>	<input type="checkbox"/>	55.00#	1266	1343	1367	1343	1403	1438	1473	1507

**A**   **B**   **C**   **D**

### HOW TO ORDER

- Indicate the following information on order form:
- Quantity of each item.
  - Model number, including options. See "How To Build a Model Number".
  - Any special service required.

Note: • The  indicates that a choice is required.  
 • The absence of the  indicates that no choice is required.  
 • Alpha-numeric characters in place of  indicate that no other alternatives are available.

### HOW TO BUILD A MODEL NUMBER

- A** Select basic model.
- B** Select frame color.  
**BL** - Black  
**WG** - Warm Grey; add \$84  
**WH** - White  
 Refer to the **Product Color Options** page in this price list.
- C** Select caster option.  
**C** - Dual surface casters, black (standard)  
**BC** - Dual surface casters, black/white; add \$19
- D** Select upholstery grade/color.  
 Refer to [ki.com/fabrics](http://ki.com/fabrics)

### UPHOLSTERY INFORMATION

**COM. Upholstery**  
 COM. requirement for 10 chairs or less with upholstered back is 1.5 yard per chair of 54" wide nondirectional fabric. For orders of 11 or more and for complete information on ordering C.O.M. see "Ordering Customer's Own Material (C.O.M) Upholstery." section.



### SPECIAL SERVICES

**Special Carton Marking**  
 With specially marked information    N/C

**Shipping**  
**Ships knocked down, FOB Sheboygan, WI 53081, freight prepaid.**

Specifications and prices are subject to change without prior notice.



MODEL	Features	MODEL NUMBER				Approx. Packaged Weight	Delivered Pricing Fabric Grade 1 & C.O.M.	Delivered Pricing Fabric Grade 2	Delivered Pricing Fabric Grade 3	Delivered Pricing Vinyl Group 2V	Delivered Pricing Pallas Fabric Group P0	Delivered Pricing Pallas Fabric Group P1	Delivered Pricing Pallas Fabric Group P2	Delivered Pricing Pallas Fabric Group P3	
		Basic Model	Frame Color	Caster Type	Upholstery Color										
 CVSUA	<b>Upholstered Back Task Stool, 5-Star Aluminum Base, 4D Arm</b> • Synchron tilt mechanism • Optional headrest • Vertically adjustable backrest • Height-adjustable lumbar mechanism • 4D arm • Seat height adjustment • Seat depth adjustment • Back lock • 20" twist-to-lock foot ring • Backrest and armrest available in Black, White or Warm Grey • 5-Star base in polished aluminum • Standard caster (black) or Designer Caster in Black/Cottonwood • 300 pound weight rating	No Headrest	CVSUAA	<input type="checkbox"/>	<input type="checkbox"/>	<input type="checkbox"/>	61.00#	\$ 1382	\$ 1459	\$ 1483	\$ 1459	\$ 1519	\$ 1553	\$ 1588	\$ 1623
	With Headrest	CVSUAAH	<input type="checkbox"/>	<input type="checkbox"/>	<input type="checkbox"/>	62.00#	1485	1562	1586	1562	1622	1656	1691	1726	
 CVSUN	<b>Upholstered Back Task Stool, 5-Star Aluminum Base, Armless</b> • Synchron tilt mechanism • Optional headrest • Vertically adjustable backrest • Height-adjustable lumbar mechanism • Armless • Seat height adjustment • Seat depth adjustment • Back lock • 20" twist-to-lock foot ring • Backrest and armrest available in Black, White or Warm Grey • 5-Star base in polished aluminum • Standard caster (black) or Designer Caster in Black/Cottonwood • 300 pound weight rating	No Headrest	CVSUNA	<input type="checkbox"/>	<input type="checkbox"/>	<input type="checkbox"/>	56.00#	\$ 1239	\$ 1317	\$ 1340	\$ 1317	\$ 1377	\$ 1412	\$ 1446	\$ 1481
	With Headrest	CVSUNAH	<input type="checkbox"/>	<input type="checkbox"/>	<input type="checkbox"/>	57.00#	1342	1419	1443	1419	1479	1514	1548	1583	

**A** **B** **C** **D**

### HOW TO ORDER

- Indicate the following information on order form:
- Quantity of each item.
  - Model number, including options. See "How To Build a Model Number".
  - Any special service required.

Note: • The  indicates that a choice is required.  
 • The absence of the  indicates that no choice is required.  
 • Alpha-numeric characters in place of  indicate that no other alternatives are available.

### HOW TO BUILD A MODEL NUMBER

- A** Select basic model.
- B** Select frame color.  
**BL** - Black  
**WG** - Warm Grey; add \$84  
**WH** - White  
 Refer to the **Product Color Options** page in this price list.
- C** Select caster option.  
**C** - Dual surface casters, black (standard)  
**BC** - Dual surface casters, black/white; add \$19
- D** Select upholstery grade/color.  
 Refer to [ki.com/fabrics](http://ki.com/fabrics)

### UPHOLSTERY INFORMATION

**COM. Upholstery**  
 COM. requirement for 10 chairs or less with upholstered back is 1.5 yard per chair of 54" wide nondirectional fabric. For orders of 11 or more and for complete information on ordering C.O.M. see "Ordering Customer's Own Material (C.O.M) Upholstery." section.



### SPECIAL SERVICES

**Special Carton Marking**  
 With specially marked information N/C

**Shipping**  
**Ships knocked down, FOB Sheboygan, WI 53081, freight prepaid.**

Specifications and prices are subject to change without prior notice.



MODEL	Features	MODEL NUMBER						Approx. Packaged Weight	Delivered Pricing Fabric Grade 1 & C.O.M.	Delivered Pricing Fabric Grade 2	Delivered Pricing Fabric Grade 3	Delivered Pricing Vinyl Group 2V	Delivered Pricing Pallas Fabric Group P0	Delivered Pricing Pallas Fabric Group P1	Delivered Pricing Pallas Fabric Group P2	Delivered Pricing Pallas Fabric Group P3
		Basic Model	Frame Color	Caster Type	Cylinder Option	Mesh Color	Upholstery Color									
 CVTMA <b>Mesh Back Task Chair, 5-Star Plastic Base, 4D Arm</b> • Synchron tilt mechanism • Optional headrest • Vertically adjustable backrest • Depth-adjustable lumbar mechanism • 4D arm • Seat height adjustment • Seat depth adjustment • Back lock • Back tension adjustment • Standard or low-height cylinder • Mesh back in Black, Charcoal, Fog, Nickel or Ocean • Backrest, Armrest and 5-Star base available in Black, White or Warm Grey • Standard caster (black) or Designer Caster in Black/Cottonwood • 300 pound weight rating	No Headrest	CVTMAP	<input type="checkbox"/>	<input type="checkbox"/>	<input type="checkbox"/>	<input type="checkbox"/>	<input type="checkbox"/>	51.00#	\$ 1087	\$ 1164	\$ 1188	\$ 1164	\$ 1224	\$ 1258	\$ 1293	\$ 1328
	With Headrest	CVTMAPH	<input type="checkbox"/>	<input type="checkbox"/>	<input type="checkbox"/>	<input type="checkbox"/>	<input type="checkbox"/>	52.00#	1293	1370	1394	1370	1430	1464	1499	1533
 CVTMN <b>Mesh Back Task Chair, 5-Star Plastic Base, Armless</b> • Synchron tilt mechanism • Optional headrest • Vertically adjustable backrest • Depth-adjustable lumbar mechanism • Armless • Seat height adjustment • Seat depth adjustment • Back lock • Back tension adjustment • Standard or low-height cylinder • Mesh back in Black, Charcoal, Fog, Nickel or Ocean • Backrest, Armrest and 5-Star base available in Black, White or Warm Grey • Standard caster (black) or Designer Caster in Black/Cottonwood • 300 pound weight rating	No Headrest	CVTMNP	<input type="checkbox"/>	<input type="checkbox"/>	<input type="checkbox"/>	<input type="checkbox"/>	<input type="checkbox"/>	46.00#	\$ 944	\$ 1022	\$ 1045	\$ 1022	\$ 1082	\$ 1117	\$ 1151	\$ 1186
	With Headrest	CVTMNPH	<input type="checkbox"/>	<input type="checkbox"/>	<input type="checkbox"/>	<input type="checkbox"/>	<input type="checkbox"/>	47.00#	1017	1095	1118	1095	1154	1189	1224	1258
			<b>A</b>	<b>B</b>	<b>C</b>	<b>D</b>	<b>E</b>	<b>F</b>								

**HOW TO ORDER**

- Indicate the following information on order form:
- Quantity of each item.
  - Model number, including options. See "How To Build a Model Number".
  - Any special service required.

Note: • The  indicates that a choice is required.  
 • The absence of the  indicates that no choice is required.  
 • Alpha-numeric characters in place of  indicate that no other alternatives are available.

**HOW TO BUILD A MODEL NUMBER**

- A** Select basic model.
- B** Select frame color.
 

<b>BL</b>	- Black
<b>WG</b>	- Warm Grey; add \$84
<b>WH</b>	- White

 Refer to the **Product Color Options** page in this price list.
- C** Select caster option.
 

<b>C</b>	- Dual surface casters, black (standard)
<b>BC</b>	- Dual surface casters, black/white; add \$19
- D** Select cylinder option.
 

<b>L</b>	- Low height cylinder (15.75" - 19.25")
<b>S</b>	- Standard height cylinder (17" - 22")
- E** Select mesh color.  
 Refer to the **Product Color Options** page in this price list.
- F** Select upholstery grade/color.  
 Refer to [ki.com/fabrics](http://ki.com/fabrics)

**UPHOLSTERY INFORMATION**

**COM. Upholstery**  
 COM. requirement for 10 chairs or less with mesh back is .75 yards per chair of 54" wide nondirectional fabric. For orders of 11 or more and for complete information on ordering C.O.M. see "Ordering Customer's Own Material (C.O.M) Upholstery." section.



**SPECIAL SERVICES**

**Special Carton Marking**  
 With specially marked information N/C

**Shipping**  
**Ships knocked down, FOB Sheboygan, WI 53081, freight prepaid.**

Specifications and prices are subject to change without prior notice.



MODEL	Features	MODEL NUMBER						Approx. Packaged Weight	Delivered Pricing Fabric Grade 1 & C.O.M.	Delivered Pricing Fabric Grade 2	Delivered Pricing Fabric Grade 3	Delivered Pricing Vinyl Group 2V	Delivered Pricing Pallas Fabric Group P0	Delivered Pricing Pallas Fabric Group P1	Delivered Pricing Pallas Fabric Group P2	Delivered Pricing Pallas Fabric Group P3											
		Basic Model	Frame Color	Caster Type	Cylinder Option	Mesh Color	Upholstery Color																				
 CVTMA	<b>Mesh Back Task Chair, 5-Star Aluminum Base, 4D Arm</b> • Synchron tilt mechanism • Optional headrest • Vertically adjustable backrest • Depth-adjustable lumbar mechanism • 4D arm • Seat height adjustment • Seat depth adjustment • Back lock • Back tension adjustment • Standard or low-height cylinder • Mesh back in Black, Charcoal, Fog, Nickel or Ocean • Backrest and armrest available in Black, White or Warm Grey • 5-Star base in polished aluminum • Standard caster (black) or Designer Caster in Black/Cottonwood • 300 pound weight rating	No Headrest	CVTMAA	<input type="checkbox"/>	<input type="checkbox"/>	<input type="checkbox"/>	<input type="checkbox"/>	<input type="checkbox"/>	<input type="checkbox"/>	<input type="checkbox"/>	<input type="checkbox"/>	<input type="checkbox"/>	<input type="checkbox"/>	<input type="checkbox"/>	<input type="checkbox"/>	<input type="checkbox"/>	53.00#	\$ 1162	\$ 1240	\$ 1263	\$ 1240	\$ 1300	\$ 1335	\$ 1369	\$ 1404		
	With Headrest	CVTMAAH	<input type="checkbox"/>	<input type="checkbox"/>	<input type="checkbox"/>	<input type="checkbox"/>	<input type="checkbox"/>	<input type="checkbox"/>	<input type="checkbox"/>	<input type="checkbox"/>	<input type="checkbox"/>	<input type="checkbox"/>	<input type="checkbox"/>	<input type="checkbox"/>	<input type="checkbox"/>	<input type="checkbox"/>	<input type="checkbox"/>	54.00#	1235	1313	1336	1313	1372	1407	1442	1476	
 CVTMN	<b>Mesh Back Task Chair, 5-Star Aluminum Base, Armless</b> • Synchron tilt mechanism • Optional headrest • Vertically adjustable backrest • Depth-adjustable lumbar mechanism • Armless • Seat height adjustment • Seat depth adjustment • Back lock • Back tension adjustment • Standard or low-height cylinder • Mesh back in Black, Charcoal, Fog, Nickel or Ocean • Backrest and armrest available in Black, White or Warm Grey • 5-Star base in polished aluminum • Standard caster (black) or Designer Caster in Black/Cottonwood • 300 pound weight rating	No Headrest	CVTMNA	<input type="checkbox"/>	<input type="checkbox"/>	<input type="checkbox"/>	<input type="checkbox"/>	<input type="checkbox"/>	<input type="checkbox"/>	<input type="checkbox"/>	<input type="checkbox"/>	<input type="checkbox"/>	<input type="checkbox"/>	<input type="checkbox"/>	<input type="checkbox"/>	<input type="checkbox"/>	48.00#	\$ 1021	\$ 1098	\$ 1122	\$ 1098	\$ 1158	\$ 1192	\$ 1227	\$ 1262		
	With Headrest	CVTMNAH	<input type="checkbox"/>	<input type="checkbox"/>	<input type="checkbox"/>	<input type="checkbox"/>	<input type="checkbox"/>	<input type="checkbox"/>	<input type="checkbox"/>	<input type="checkbox"/>	<input type="checkbox"/>	<input type="checkbox"/>	<input type="checkbox"/>	<input type="checkbox"/>	<input type="checkbox"/>	<input type="checkbox"/>	<input type="checkbox"/>	49.00#	1094	1170	1194	1170	1230	1265	1299	1334	
				<b>A</b>	<b>B</b>	<b>C</b>	<b>D</b>	<b>E</b>	<b>F</b>																		

### HOW TO ORDER

- Indicate the following information on order form:
- Quantity of each item.
  - Model number, including options. See "How To Build a Model Number".
  - Any special service required.

Note: • The  indicates that a choice is required.  
 • The absence of the  indicates that no choice is required.  
 • Alpha-numeric characters in place of  indicate that no other alternatives are available.

### HOW TO BUILD A MODEL NUMBER

- A** Select basic model.
- B** Select frame color.
 

<b>BL</b>	- Black
<b>WG</b>	- Warm Grey; add \$84
<b>WH</b>	- White

 Refer to the **Product Color Options** page in this price list.
- C** Select caster option.
 

<b>C</b>	- Dual surface casters, black (standard)
<b>BC</b>	- Dual surface casters, black/white; add \$19
- D** Select cylinder option.
 

<b>L</b>	- Low height cylinder (15.75" - 19.25")
<b>S</b>	- Standard height cylinder (17" - 22")
- E** Select mesh color.  
Refer to the **Product Color Options** page in this price list.
- F** Select upholstery grade/color.  
Refer to [ki.com/fabrics](http://ki.com/fabrics)

### UPHOLSTERY INFORMATION

**COM. Upholstery**  
 COM. requirement for 10 chairs or less with mesh back is .75 yards per chair of 54" wide nondirectional fabric. For orders of 11 or more and for complete information on ordering C.O.M. see "Ordering Customer's Own Material (C.O.M) Upholstery." section.



### SPECIAL SERVICES

**Special Carton Marking**  
 With specially marked information N/C

**Shipping**  
**Ships knocked down, FOB Sheboygan, WI 53081, freight prepaid.**

Specifications and prices are subject to change without prior notice.



	MODEL	Features	MODEL NUMBER					Approx. Packaged Weight	Delivered Pricing Fabric Grade 1 & C.O.M.	Delivered Pricing Fabric Grade 2	Delivered Pricing Fabric Grade 3	Delivered Pricing Vinyl Group 2V	Delivered Pricing Pallas Fabric Group P0	Delivered Pricing Pallas Fabric Group P1	Delivered Pricing Pallas Fabric Group P2	Delivered Pricing Pallas Fabric Group P3
			Basic Model	Frame Color	Caster Type	Mesh Color	Upholstery Color									
 CVSMA	<b>Mesh Back Task Stool, 5-Star Plastic Base, 4D Arm</b>	No Headrest	CVSMAP	<input type="checkbox"/>	<input type="checkbox"/>	<input type="checkbox"/>	<input type="checkbox"/>	58.00 kg	\$ 1221	\$ 1297	\$ 1321	\$ 1297	\$ 1357	\$ 1392	\$ 1426	\$ 1461
		With Headrest	CVSMAPH	<input type="checkbox"/>	<input type="checkbox"/>	<input type="checkbox"/>	<input type="checkbox"/>	59.00 kg	1231	1231	1327	1304	1361	1394	1427	1460
		<ul style="list-style-type: none"> <li>Synchrotilt mechanism</li> <li>Optional headrest</li> <li>Vertically adjustable backrest</li> <li>Depth-adjustable lumbar mechanism</li> <li>4D arm</li> <li>Seat height adjustment</li> <li>Seat depth adjustment</li> <li>Back lock</li> <li>20" twist-to-lock foot ring</li> <li>Mesh back in Black, Charcoal, Fog, Nickel or Ocean</li> <li>Backrest, Armrest and 5-Star base available in Black, White or Warm Grey</li> <li>Standard caster (black) or Designer Caster in Black/Cottonwood</li> <li>300 pound weight rating</li> </ul>														
 CVSMN	<b>Mesh Back Task Stool, 5-Star Plastic Base, Armless</b>	No Headrest	CVSMNP	<input type="checkbox"/>	<input type="checkbox"/>	<input type="checkbox"/>	<input type="checkbox"/>	53.00 kg	\$ 1078	\$ 1155	\$ 1179	\$ 1155	\$ 1215	\$ 1250	\$ 1285	\$ 1319
		With Headrest	CVSMNPH	<input type="checkbox"/>	<input type="checkbox"/>	<input type="checkbox"/>	<input type="checkbox"/>	54.00 kg	1150	1227	1251	1227	1287	1321	1356	1391
		<ul style="list-style-type: none"> <li>Synchrotilt mechanism</li> <li>Optional headrest</li> <li>Vertically adjustable backrest</li> <li>Depth-adjustable lumbar mechanism</li> <li>Armless</li> <li>Seat height adjustment</li> <li>Seat depth adjustment</li> <li>Back lock</li> <li>20" twist-to-lock foot ring</li> <li>Mesh back in Black, Charcoal, Fog, Nickel or Ocean</li> <li>Backrest, Armrest and 5-Star base available in Black, White or Warm Grey</li> <li>Standard caster (black) or Designer Caster in Black/Cottonwood</li> <li>300 pound weight rating</li> </ul>														
			<b>A</b>	<b>B</b>	<b>C</b>	<b>D</b>	<b>E</b>									

**HOW TO ORDER**

- Indicate the following information on order form:
- Quantity of each item.
  - Model number, including options. See "How To Build a Model Number".
  - Any special service required.

Note:

- The  indicates that a choice is required.
- The absence of the  indicates that no choice is required.
- Alpha-numeric characters in place of  indicate that no other alternatives are available.

**HOW TO BUILD A MODEL NUMBER**

- A** Select basic model.
- B** Select frame color.
 

<b>BL</b>	- Black
<b>WG</b>	- Warm Grey; add \$84
<b>WH</b>	- White

 Refer to the **Product Color Options** page in this price list.
- C** Select caster option.
 

<b>C</b>	- Dual surface casters, black (standard)
<b>BC</b>	- Dual surface casters, black/white; add \$19
- D** Select mesh color. Refer to the **Product Color Options** page in this price list.
- E** Select upholstery grade/color. Refer to [ki.com/fabrics](http://ki.com/fabrics)

**UPHOLSTERY INFORMATION**

**COM. Upholstery**  
 COM. requirement for 10 chairs or less with mesh back is .75 yards per chair of 54" wide nondirectional fabric. For orders of 11 or more and for complete information on ordering C.O.M. see "Ordering Customer's Own Material (C.O.M) Upholstery." section.

**SPECIAL SERVICES**



**Special Carton Marking**

With specially marked information N/C

**Shipping**  
**Ships knocked down, FOB Sheboygan, WI 53081, freight prepaid.**

Specifications and prices are subject to change without prior notice.



	MODEL	Features	MODEL NUMBER					Approx. Packaged Weight	Delivered Pricing Fabric Grade 1 & C.O.M.	Delivered Pricing Fabric Grade 2	Delivered Pricing Fabric Grade 3	Delivered Pricing Vinyl Group 2V	Delivered Pricing Pallas Fabric Group P0	Delivered Pricing Pallas Fabric Group P1	Delivered Pricing Pallas Fabric Group P2	Delivered Pricing Pallas Fabric Group P3
			Basic Model	Frame Color	Caster Type	Mesh Color	Upholstery Color									
 CVSMA	<b>Mesh Back Task Stool, 5-Star Aluminum Base, 4D Arm</b>	No Headrest	CVSMAA	<input type="checkbox"/>	<input type="checkbox"/>	<input type="checkbox"/>	<input type="checkbox"/>	60.00 kg	\$ 1296	\$ 1374	\$ 1397	\$ 1374	\$ 1434	\$ 1468	\$ 1503	\$ 1538
		With Headrest	CVSMAAH	<input type="checkbox"/>	<input type="checkbox"/>	<input type="checkbox"/>	<input type="checkbox"/>	61.00 kg	1369	1446	1469	1446	1506	1541	1575	1610
 CVSMN	<b>Mesh Back Task Stool, 5-Star Aluminum Base, Armless</b>	No Headrest	CVSMNA	<input type="checkbox"/>	<input type="checkbox"/>	<input type="checkbox"/>	<input type="checkbox"/>	55.00 kg	\$ 1154	\$ 1231	\$ 1255	\$ 1231	\$ 1291	\$ 1326	\$ 1360	\$ 1395
		With Headrest	CVSMNAH	<input type="checkbox"/>	<input type="checkbox"/>	<input type="checkbox"/>	<input type="checkbox"/>	56.00 kg	1226	1304	1327	1304	1363	1398	1433	1467
				<b>A</b>	<b>B</b>	<b>C</b>	<b>D</b>	<b>E</b>								

**HOW TO ORDER**

- Indicate the following information on order form:
- Quantity of each item.
  - Model number, including options. See "How To Build a Model Number".
  - Any special service required.

Note:

- The  indicates that a choice is required.
- The absence of the  indicates that no choice is required.
- Alpha-numeric characters in place of  indicate that no other alternatives are available.

**HOW TO BUILD A MODEL NUMBER**

- A** Select basic model.
- B** Select frame color.
 

<b>BL</b>	- Black
<b>WH</b>	- White
<b>WG</b>	- Warm Grey; add \$84

 Refer to the **Product Color Options** page in this price list.
- C** Select caster option.
 

<b>C</b>	- Dual surface casters, black (standard)
<b>BC</b>	- Dual surface casters, black/white; add \$19
- D** Select mesh color. Refer to the **Product Color Options** page in this price list.
- E** Select upholstery grade/color. Refer to [ki.com/fabrics](http://ki.com/fabrics)

**UPHOLSTERY INFORMATION**

**COM. Upholstery**  
 COM. requirement for 10 chairs or less with mesh back is .75 yards per chair of 54" wide nondirectional fabric. For orders of 11 or more and for complete information on ordering C.O.M. see "Ordering Customer's Own Material (C.O.M) Upholstery." section.

**SPECIAL SERVICES**

**Special Carton Marking**

With specially marked information N/C

**Shipping**  
 Ships knocked down, FOB Sheboygan, WI 53081, freight prepaid.

Specifications and prices are subject to change without prior notice.



1330 BELLEVUE STREET  
GREEN BAY, WI 54302  
800.424.2432 / KI.COM

KI is a trusted expert for furniture and wall systems around the globe.  
USA | CANADA | MEXICO | UK | EUROPE | ASIA | MIDDLE EAST  
© 2024 Krueger International, Inc. All Rights Reserved.