



# COGNI<sup>TM</sup> COLLECTION

---

PRICE LIST

EFFECTIVE FEBRUARY 25, 2026  
800.424.2432



---

<b>Ordering Customer's Own Material (C.O.M.) Upholstery</b>	
Information	3

---

<b>Cogni™</b>	
Technical Specifications	4
Product Color Options	11

---

<b>Cogni™ Seating (Freight Excluded)</b>	
Cantilever Chair	12
4-Leg Chair	14
4-Leg Stool	16
Armless Task Chairs & Stools	18
Upholstered Seat Armless Task Chairs & Stools	19
Dollies	20

---

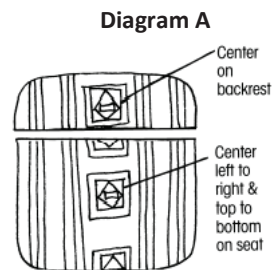
<b>Cogni™ Seating (Delivered)</b>	
Cantilever Chair	21
4-Leg Chair	23
4-Leg Stool	25
Armless Task Chairs & Stools	27
Upholstered Seat Armless Task Chairs & Stools	28
Dollies	29



### How to Specify

As a standard procedure, KI applies seating upholstery as swatched by the textile distributor. Reference distributor's website. Upholstery that is required to be applied differently than is swatched, will need a Product Modification Request written specifying the direction the upholstery is to be applied.

Seating upholstery requiring specific positioning of intricate patterns or patterns repeats on seats and backrests, will need a Product Modification Request written including a sketch noting the specific requirements, as in Diagram A.



When directional or patterned fabrics are used, they often require more yardage than solid colors.

C.O.M. must be supplied in continuous yardage.

C.O.M. yardage requirements accompanying products in the pricing section are for 10 chairs/seats or less, 54" wide nondirectional material. On larger orders, less material is required.

Leather hides must be a minimum of 50 square feet of usable material. The outer edges cannot be calculated as square feet or yardage. To determine square footage, multiply unit yardage by 18 square feet to obtain the total square footage required per unit.

For exact production yardage requirements, call 1-800-424-2432, ext. 2707.

### Production

Customer's upholstery must be approved prior to acceptance for production.

C.O.M. not received into the appropriate facility 3 weeks prior to acknowledged delivery date may go on hold. See KI C.O.M. Shipping Location listing for the correct facility address by product.

### Testing

When KI requires testing, actual yardage to upholster one chair may be required. The C.O.M. Specialist will confirm model and fabric testing requirements when applicable.

Approved test samples will be applied to the order or will be held for 6 months. After 6 months, the sample will no longer be applied to your order. For all product testing, send fabric samples to the manufacturing facility. See KI C.O.M. Shipping Location listing for the correct facility address by product.

All C.O.M. must be labeled with the KI product order number and customer purchase order number.

### Treated Materials

If C.O.M. requires processing such as a stain resistance treatment or acrylic backing, it may shrink. To prevent delays in delivery or back ordering due to shrinkage, please have your processor verify measurement after processing and assure adequate yardage shipped.

### Split Orders

If a portion of the shipment which does not require C.O.M. application is to be processed and shipped early, KI will enter the order immediately at your request. These split shipments are subject to minimum order changes.

### Excess Upholstery Material

KI will dispose of excess upholstery material at the time of shipment unless expressly requested to return it with the product shipment.

### Cancelled or Changed Orders

KI assumes no responsibility for extra C.O.M. due to a change of upholstery or cancellation of an order. If it the customer's responsibility to arrange for return of the material.

Contact the C.O.M. Specialist at 1-800-424-2432, ext. 2707, with questions or to request a split order.

### C.O.M. SHIPPING LOCATION

<b>Architectural Walls</b> Evoke..... MN Genius..... MN  <b>Casegoods</b> Aristotle..... MN Likha..... MN  <b>Classroom Furniture</b> Cogni ..... GB Intellect Wave ..... GB Learn2..... GB Ruckus..... GB  <b>Desking</b> 700 Series ..... KP Balance ..... MN Genesis ..... MN True ..... KP Universal ..... MN WorkZone ..... MN  <b>Files &amp; Storage</b> 700 Series..... GB Connection ..... BW U-Series ..... GB Tattoo..... BW  <b>Fixed Seating</b> Concerto..... BW Single Pedestal ..... GB Jury Base ..... GB Lancaster..... BW Sequence ..... GB University ..... GB	<b>Panel Systems</b> All Terrain..... KP Balance ..... MN Universal ..... MN Wireworks ..... MN Unite..... MN  <b>Residence Hall Furniture</b> RoomScape ..... MN  <b>Screens</b> All Terrain..... KP Connection Zone..... BW Tributaire..... BW True/Volition ..... KP Genesis..... KP Tattoo..... MN Universal..... BW  <b>Seating</b> 600 Series..... BW Affina ..... HN Altus ..... GB Apply ..... GB Calida ..... HN Cascha ..... VT Civara ..... VT Clamber ..... HN Cogni ..... GB Diem ..... OM Doni ..... GB Gladly ..... VQ Grazie ..... GB Hub ..... HN Impress ..... OM	Impress Ultra ..... OM Intellect Wave ..... GB Jessa ..... HN Jubilee ..... VQ Katera..... GB Kurv Benches..... HN Learn2..... GB LimeLite..... GB Lyra ..... HN Medical & Laboratory Stools..... OM MyPlace ..... HN MyWay ..... HN Oath ..... GB Opt4..... GB Pilot ..... OM Promenade ..... BW Ruckus..... GB Sela ..... HN Sift ..... GB Signia..... OM Soltice Metal ..... HN Soltice..... HN Sonrisa ..... HN Strive ..... GB Sway ..... BW Tattoo..... HN Torsion-on-the-Go! ..... GB Torsion Air ..... GB Zeker ..... HN Zentori ..... VT Zoetry ..... HN
--	---	---



### KI C.O.M. Manufacturing Site Addresses:

<b>BW</b> KI Bonduel Attn: COM Storage 204 West South St. Bonduel, WI 54107	<b>HN</b> KI High Point Attn: COM Storage 217 Feld Avenue High Point, NC 27263	<b>MN</b> KI Manitowoc Attn: COM Storage 1400 S. 41st St. Manitowoc, WI 54220	<b>VQ</b> KI Attn: COM Fabrics 6892 Marlin Circle La Palma, CA 90623
<b>GB</b> KI Green Bay Attn: COM Storage 1687 Westminster Drive - Gate 3 Green Bay, WI 54302	<b>KP</b> KI Pembroke Attn: COM Storage 1000 Olympic Dr. Pembroke, Ontario K8A6X7	<b>OM</b> KI Attn: COM Storage 1110 S. Mildred Ave. Ontario, CA 91761	<b>VT</b> KI Attn: COM Storage 2803 South Taylor Drive Sheboygan, WI 53081

## PRODUCT SPECIFICATIONS ■

### Cogni Collection

February 2026

#### TECHNICAL SPECIFICATIONS

##### Seat Shell

One-piece injection-molded, contoured shells are made of static-free high-impact polypropylene with rolled edges for comfort and strength. The shell is ergonomically contoured and features a passive-flex backrest movement for superior comfort. Lower backrest provides lumbar support and an upright posture, upper backrest provides thoracic support for a casual, reclined posture. Wide, ergonomic handle is molded into the chair top edge for ease of mobility, and for comforting and supporting users arms in rear and side-sitting positions. Shell fastens to a steel frame with seven M6 x 18 mm Phillips pan head screws.

##### Upholstered Seat (optional)

Molded urethane foam is attached to an injection-molded polypropylene seat board, then is upholstered using a draw-string process. The assembled seat pad is attached to the seat by means of hidden fasteners. Seat foam is nominal  $\frac{5}{8}$ " thickness. Upholstered seat is available in contrasting or coordinating color choices. See Product Color Options page in the Cogni Collection Pricelist for color options offered.

##### Cantilever Chairs

###### Under-Seat Shroud

Under-seat shroud is injection-molded, made of static-free high-impact polypropylene. The patent pending shroud is multifunctional. Shroud assists in stacking of chairs together and permits cantilever chairs to nest onto desks and tabletops for floor maintenance efficiencies. The front and side surfaces include sensory dots of varying sizes for aesthetics, and to promote tactile engagement and sensory regulation. Under-seat shroud is available in contrasting or coordinating color choices. See Product Color Options page in the Cogni Collection Pricelist for color options offered.

###### Frames

Cantilever frames consist of 1" O.D. 13-gauge round, high-strength low-alloy steel tubing. Frame may be finished in powder-coat paint or nickel-chrome plated. When occupied, the frame is designed to respond to user movements with a subtle flex, adding comfort and improving circulation.

###### Base Options

KI recommends consulting with the floor manufacturer for specific glide recommendations. Heel wheel housings and heel glide housings are interchangeable should the customer desire to change the mobility of their chairs later.

###### Glide Base

Cantilever chairs with the glide base have a nylon toe housing and a nylon heel housing secured to each leg that accepts pop-in glides. Four glide options are available; felt, nylon, hybrid, and steel. Glides are field-replaceable and interchangeable.

###### Heel Wheel Base

Cantilever chairs with the heel wheel base have a nylon heel housing and a nylon toe housing on each leg, made of high-impact thermoplastic. Each heel housing has two 75 mm diameter wheels, made of high-impact thermoplastic with a softer elastomer over-molded on the wheel surface. Heel wheels are dual-surface, suitable for carpet and hard floors. The patent pending heel wheel base offers controlled mobility, permits dollying up to four stacked Cogni chairs at a time, and serves as an anti-tilt mechanism for student safety. Wheels are available in Black or Warm Grey. Each toe housing accepts pop-in glides. Four glide options are available; felt, nylon, hybrid (thermoplastic polyurethane), and steel. Glides are field-replaceable and interchangeable.



#### TECHNICAL SPECIFICATIONS

##### 4-Leg Chairs & Café Stools

###### Under-Seat Shroud

Under-seat shroud is injection-molded, made of static-free high-impact polypropylene. The patent pending shroud is multifunctional. Shroud assists in stacking of chairs together and permits cantilever chairs to nest onto desks and tabletops for floor maintenance efficiencies. The front and side surfaces include sensory dots of varying sizes for aesthetics, and to promote tactile engagement and sensory regulation. Under-seat shroud is available in contrasting or coordinating color choices. See Product Color Options page in the Cogni Collection Pricelist for color options offered.

###### Frames

4-leg chair and café stool frames consist of  $\frac{7}{8}$ " O.D. 13-gauge round, high-strength low-alloy steel tubing welded together. Frame may be finished in powder-coat paint or nickel-chrome plating after all welding processes are complete.

###### Base Options

KI recommends consulting with the floor manufacturer for specific glide recommendations.

###### Glide Base

Three glide options are available; felt, plastic, and steel. A black nylon swivel glide body is press-fit into the end of the leg tube. Glide caps (felt, plastic, or steel) are snap-fit onto the glide body. These are field-replaceable and interchangeable.

###### Caster Base

4-leg chairs and café stools may be ordered with dual-surface casters, suitable for hard or soft floors. Casters are 50 mm diameter, double-wheel, made of high-impact thermoplastic with a softer elastomer over-molded on the wheel surface. Casters are available in Black or Warm Grey.

##### Task Chairs

###### Under-Seat Structure

The frame consists of a 12-gauge stamped steel under-seat shroud, powder-coat painted, and secured to the chair shell with seven M6 x 18 Phillips pan head screws. Stamped steel under-seat shroud, seat mechanism housing, and height-adjustment lever are available in contrasting or coordinating color choices. See Product Color Options page in the Cogni Collection Pricelist for color options offered. Handle on the height-adjustment lever is available in Black.

###### Pneumatic Height Adjustment

Lever-activated pneumatic cylinder enables seat height adjustment from 17" to 21 $\frac{3}{4}$ ". Pneumatic cylinder is available in Black.

###### Task Base

Base is 26" diameter, injection-molded glass-reinforced nylon 5-blade design, in Black.

###### Base Options

KI recommends consulting with the floor manufacturer for specific glide recommendations.

###### Casters

Task chairs are equipped with dual surface casters, suitable for carpet or hard floors. Casters are 60 mm diameter, double-wheel, made of high-impact thermoplastic with softer elastomer over-molded on the wheel surfaces. Casters are only available in Black.

###### Bell Glides

Bell glides are made of high-impact nylon plastic. Bell glides are only available in Black.



## TECHNICAL SPECIFICATIONS

### Task Stool

#### Under-Seat Structure

Task stool frame consists of a 12-gauge stamped steel under-seat shroud, powder-coat painted, and secured to the chair shell with seven M6 x 18 Phillips pan head screws. Stamped steel under-seat shroud, seat mechanism housing, and height-adjustment lever are available in contrasting or coordinating color choices. See Product Color Options page in the Cogni Collection Pricelist for color options offered. Handle on the height-adjustment lever is available in Black.

#### Pneumatic Height Adjustment

Lever-activated pneumatic cylinder enables seat height adjustment from 17½" to 25" (mid-height range task stool) and 22½" to 33" (task stool). Pneumatic cylinder is available in Black.

#### Task Base

Base is 26" injection-molded glass-reinforced nylon 5-blade design, in Black.

#### Foot Ring

Task stools are equipped with adjustable-height, 20" diameter chrome-plated steel foot ring with black, die-cast aluminum hub and spokes.

#### Base Options

KI recommends consulting with the floor manufacturer for specific glide recommendations.

#### Casters

Task stools are equipped with dual-surface casters, suitable for carpet or hard floors. Casters are 60 mm diameter, double-wheel, made of high-impact thermoplastic with a softer elastomer over-molded on the wheel surfaces. Casters are only available in Black.

#### Bell Glides

Bell glides are made of high-impact nylon plastic. Bell glides are only available in Black.

## TECHNICAL SPECIFICATIONS

### Transport Dolly

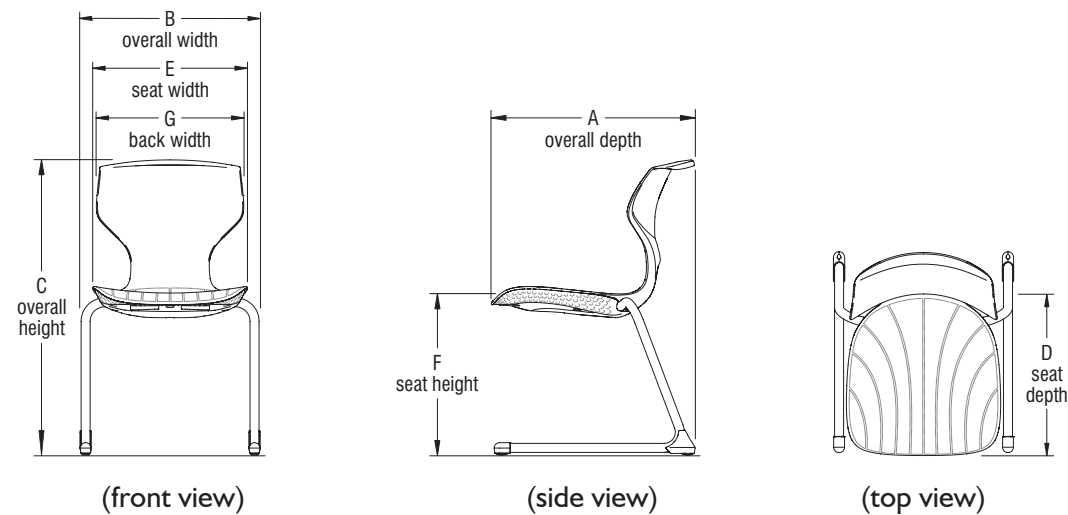
Transport Dolly Frame is welded tubular steel construction with steel brackets to hold the chairs on the frame. Four steel caster wheel housings - two fixed and two swivel - are welded directly to the four corners of the dolly frame. Swivel caster housings have ball bearings for smooth operation. Wheels are 5" diameter by 1⅜" wide hard rubber with Delrin bearings. Wheels are attached to the caster housings with ⅜" diameter bolts (axle). Black powder-coat finish.

Maximum Stacking Height of Chairs and Stools		
	Stacking on Floor (poly & upholstered chairs)	Stacking on Dolly (poly & upholstered chairs)
18" Cantilever, heel wheel	6	6
18" Cantilever, glides	6	6
16" Cantilever, heel wheel	6	
16" Cantilever, glides	6	
14" Cantilever, heel wheel	6	
14" Cantilever, glides	6	
18" 4-Leg, Glides	6	6
18" 4-Leg, Casters	6	6
16" 4-Leg, Glides	6	
16" 4-Leg, Casters	5	
14" 4-Leg, Glides	5	
14" 4-Leg, Casters	4	
12" 4-Leg, Glides	4	
24" Stack Stools, Glides	4	
24" Stack Stools, Casters	4	
30" Stack Stools, Glides	4	
30" Stack Stools, Casters	4	

## DIMENSIONS

## Cogni Cantilever Chairs - (model CGG100H18 shown)

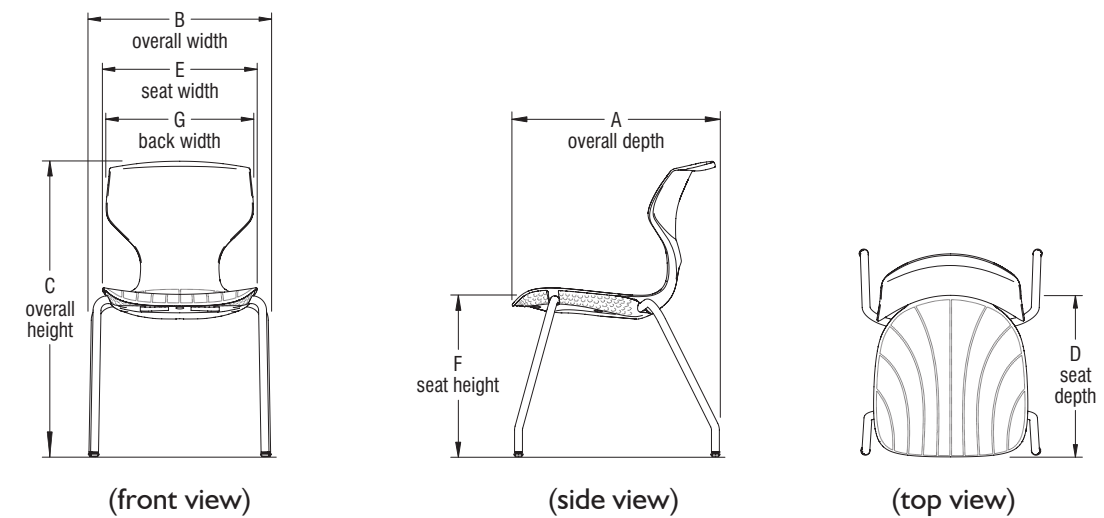
Model Number	A Overall Depth	B Overall Width	C Overall Height	D Seat Depth	E Seat Width	F Seat Height	G Backrest Width
CGG100H14	16 <sup>5</sup> / <sub>8</sub> "	16 <sup>1</sup> / <sub>2</sub> "	24 <sup>3</sup> / <sub>4</sub> "	12 <sup>7</sup> / <sub>8</sub> "	12 <sup>5</sup> / <sub>16</sub> "	14"	11 <sup>13</sup> / <sub>16</sub> "
CGG100H16	19 <sup>1</sup> / <sub>2</sub> "	17 <sup>1</sup> / <sub>2</sub> "	28 <sup>3</sup> / <sub>8</sub> "	15 <sup>3</sup> / <sub>8</sub> "	14 <sup>11</sup> / <sub>16</sub> "	16"	14 <sup>1</sup> / <sub>16</sub> "
CGG100H18	22 <sup>5</sup> / <sub>8</sub> "	20"	32 <sup>13</sup> / <sub>16</sub> "	17 <sup>7</sup> / <sub>8</sub> "	17 <sup>1</sup> / <sub>16</sub> "	18"	16 <sup>3</sup> / <sub>8</sub> "
CGG200H18	22 <sup>5</sup> / <sub>8</sub> "	20"	32 <sup>13</sup> / <sub>16</sub> "	17 <sup>7</sup> / <sub>8</sub> "	17 <sup>1</sup> / <sub>16</sub> "	18 <sup>5</sup> / <sub>8</sub> "	16 <sup>3</sup> / <sub>8</sub> "



## DIMENSIONS

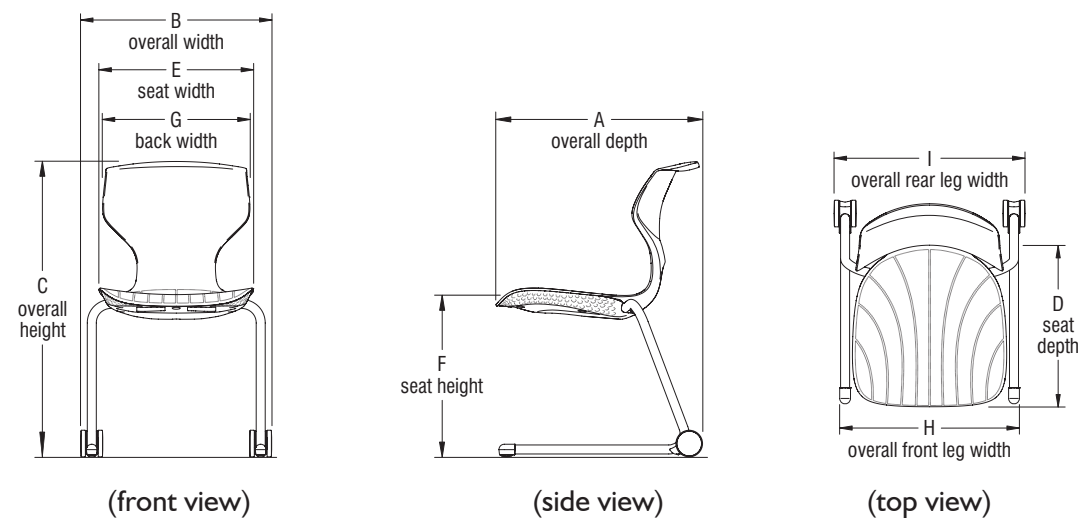
## Cogni 4-Leg Glide Chairs - (model CGI100H18 shown)

Model Number	A Overall Depth	B Overall Width	C Overall Height	D Seat Depth	E Seat Width	F Seat Height	G Backrest Width
CGI100H12	17"	15 <sup>1</sup> / <sub>2</sub> "	22 <sup>3</sup> / <sub>4</sub> "	12 <sup>7</sup> / <sub>8</sub> "	12 <sup>5</sup> / <sub>16</sub> "	12"	11 <sup>13</sup> / <sub>16</sub> "
CGI100H14	16 <sup>3</sup> / <sub>4</sub> "	15 <sup>1</sup> / <sub>2</sub> "	24 <sup>3</sup> / <sub>4</sub> "	12 <sup>7</sup> / <sub>8</sub> "	12 <sup>5</sup> / <sub>16</sub> "	14"	11 <sup>13</sup> / <sub>16</sub> "
CGI100H16	19 <sup>3</sup> / <sub>4</sub> "	17 <sup>3</sup> / <sub>4</sub> "	28 <sup>3</sup> / <sub>4</sub> "	15 <sup>3</sup> / <sub>8</sub> "	14 <sup>11</sup> / <sub>16</sub> "	16"	14 <sup>1</sup> / <sub>16</sub> "
CGI100H18	23 <sup>1</sup> / <sub>8</sub> "	20 <sup>5</sup> / <sub>16</sub> "	32 <sup>13</sup> / <sub>16</sub> "	17 <sup>7</sup> / <sub>8</sub> "	17 <sup>1</sup> / <sub>16</sub> "	18"	16 <sup>3</sup> / <sub>8</sub> "
CGI200H18	23 <sup>1</sup> / <sub>8</sub> "	20 <sup>5</sup> / <sub>16</sub> "	32 <sup>13</sup> / <sub>16</sub> "	17 <sup>7</sup> / <sub>8</sub> "	17 <sup>1</sup> / <sub>16</sub> "	18 <sup>5</sup> / <sub>8</sub> "	16 <sup>3</sup> / <sub>8</sub> "



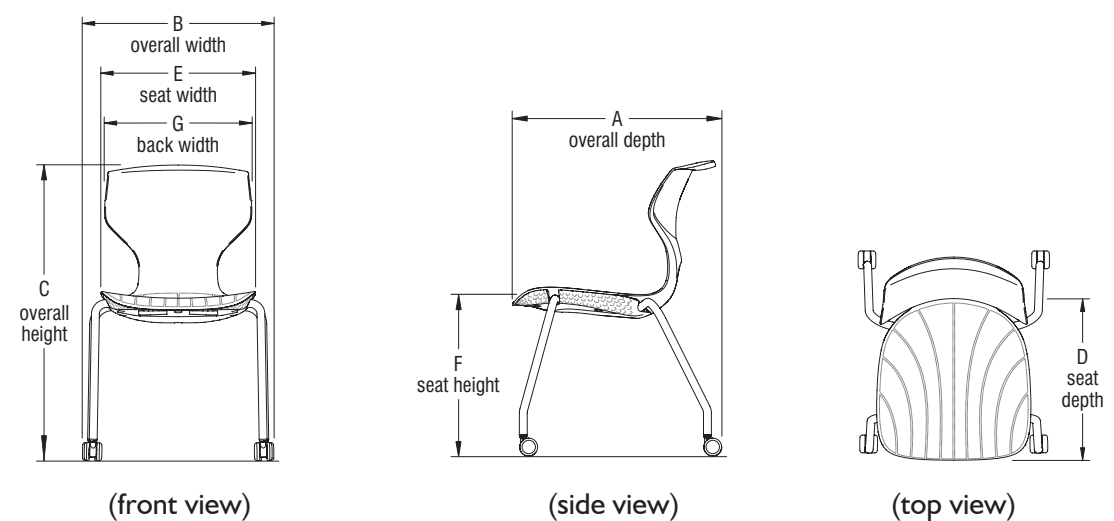
## Cogni Cantilever Chairs with Heel Wheels - (model CGM100H18 shown)

Model Number	A Overall Depth	B Overall Width	C Overall Height	D Seat Depth	E Seat Width	F Seat Height	G Backrest Width	H Overall Front Leg Width	I Overall Rear Leg Width
CGM100H14	16 <sup>15</sup> / <sub>16</sub> "	17 <sup>11</sup> / <sub>16</sub> "	24 <sup>3</sup> / <sub>4</sub> "	12 <sup>7</sup> / <sub>8</sub> "	12 <sup>5</sup> / <sub>16</sub> "	14"	11 <sup>13</sup> / <sub>16</sub> "	16 <sup>1</sup> / <sub>2</sub> "	17 <sup>11</sup> / <sub>16</sub> "
CGM100H16	19 <sup>3</sup> / <sub>4</sub> "	18 <sup>3</sup> / <sub>4</sub> "	28 <sup>3</sup> / <sub>4</sub> "	15 <sup>3</sup> / <sub>4</sub> "	14 <sup>11</sup> / <sub>16</sub> "	16"	14 <sup>1</sup> / <sub>16</sub> "	17 <sup>1</sup> / <sub>2</sub> "	18 <sup>3</sup> / <sub>4</sub> "
CGM100H18	22 <sup>15</sup> / <sub>16</sub> "	21 <sup>1</sup> / <sub>4</sub> "	32 <sup>13</sup> / <sub>16</sub> "	17 <sup>7</sup> / <sub>8</sub> "	17 <sup>1</sup> / <sub>16</sub> "	18"	16 <sup>3</sup> / <sub>8</sub> "	19"	21 <sup>1</sup> / <sub>4</sub> "
CGM200H18	22 <sup>15</sup> / <sub>16</sub> "	21 <sup>1</sup> / <sub>4</sub> "	32 <sup>13</sup> / <sub>16</sub> "	17 <sup>7</sup> / <sub>8</sub> "	17 <sup>1</sup> / <sub>16</sub> "	18 <sup>5</sup> / <sub>8</sub> "	16 <sup>3</sup> / <sub>8</sub> "	19"	21 <sup>1</sup> / <sub>4</sub> "



## Cogni 4-Leg Caster Chairs - (model CG2100H18 shown)

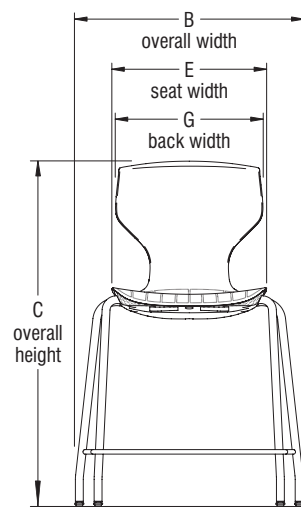
Model Number	A Overall Depth	B Overall Width	C Overall Height	D Seat Depth	E Seat Width	F Seat Height	G Backrest Width
CG2100H14	16 <sup>5</sup> / <sub>16</sub> "	16 <sup>7</sup> / <sub>16</sub> "	24 <sup>3</sup> / <sub>4</sub> "	12 <sup>7</sup> / <sub>8</sub> "	12 <sup>5</sup> / <sub>16</sub> "	14"	11 <sup>13</sup> / <sub>16</sub> "
CG2100H16	18 <sup>13</sup> / <sub>16</sub> "	18 <sup>5</sup> / <sub>8</sub> "	28 <sup>3</sup> / <sub>4</sub> "	15 <sup>3</sup> / <sub>8</sub> "	14 <sup>11</sup> / <sub>16</sub> "	16"	14 <sup>1</sup> / <sub>16</sub> "
CG2100H18	22 <sup>1</sup> / <sub>2</sub> "	21 <sup>1</sup> / <sub>4</sub> "	32 <sup>13</sup> / <sub>16</sub> "	17 <sup>7</sup> / <sub>8</sub> "	17 <sup>1</sup> / <sub>16</sub> "	18"	16 <sup>3</sup> / <sub>8</sub> "
CG2200H18	22 <sup>1</sup> / <sub>2</sub> "	21 <sup>1</sup> / <sub>4</sub> "	32 <sup>13</sup> / <sub>16</sub> "	17 <sup>7</sup> / <sub>8</sub> "	17 <sup>1</sup> / <sub>16</sub> "	18 <sup>5</sup> / <sub>8</sub> "	16 <sup>3</sup> / <sub>8</sub> "



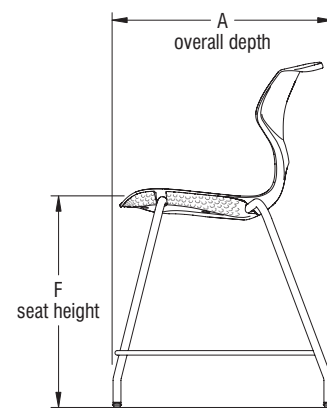
## DIMENSIONS

## Cogni 4-Leg Glide Stools - (model CG4100H24 shown)

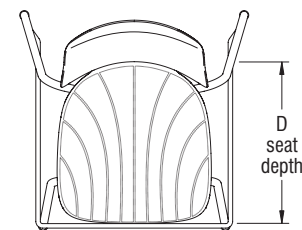
Model Number	A Overall Depth	B Overall Width	C Overall Height	D Seat Depth	E Seat Width	F Seat Height	G Backrest Width
CG4100H24	22 <sup>1</sup> / <sub>2</sub> "	25 <sup>7</sup> / <sub>16</sub> "	38 <sup>1</sup> / <sub>4</sub> "	17 <sup>7</sup> / <sub>8</sub> "	17 <sup>1</sup> / <sub>16</sub> "	23 <sup>1</sup> / <sub>2</sub> "	16 <sup>3</sup> / <sub>8</sub> "
CG4100H30	26"	25 <sup>11</sup> / <sub>16</sub> "	44 <sup>1</sup> / <sub>4</sub> "	17 <sup>7</sup> / <sub>8</sub> "	17 <sup>1</sup> / <sub>16</sub> "	29 <sup>1</sup> / <sub>2</sub> "	16 <sup>3</sup> / <sub>8</sub> "
CG4200H24	22 <sup>1</sup> / <sub>2</sub> "	25 <sup>7</sup> / <sub>16</sub> "	38 <sup>1</sup> / <sub>4</sub> "	17 <sup>7</sup> / <sub>8</sub> "	17 <sup>1</sup> / <sub>16</sub> "	24 <sup>1</sup> / <sub>4</sub> "	16 <sup>3</sup> / <sub>8</sub> "
CG4200H30	26"	25 <sup>11</sup> / <sub>16</sub> "	44 <sup>1</sup> / <sub>4</sub> "	17 <sup>7</sup> / <sub>8</sub> "	17 <sup>1</sup> / <sub>16</sub> "	30 <sup>1</sup> / <sub>4</sub> "	16 <sup>3</sup> / <sub>8</sub> "



(front view)



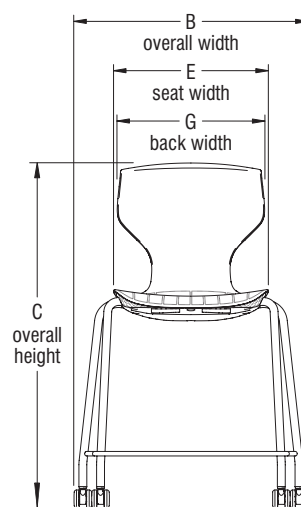
(side view)



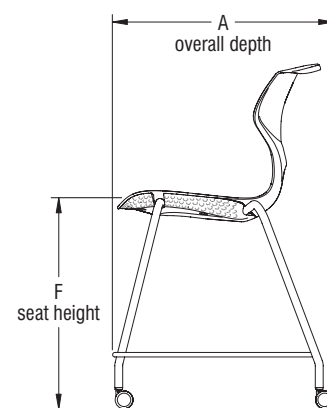
(top view)

## Cogni 4-Leg Caster Stools - (model CGN100H24 shown)

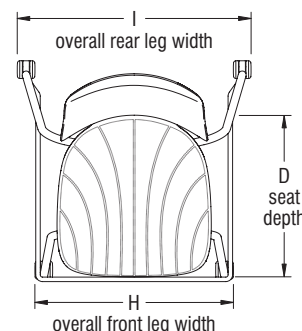
Model Number	A Overall Depth	B Overall Width	C Overall Height	D Seat Depth	E Seat Width	F Seat Height	G Backrest Width	H Overall Front Leg Width	I Overall Rear Leg Width
CGN100H24	24 <sup>5</sup> / <sub>16</sub> "	25 <sup>7</sup> / <sub>8</sub> "	38 <sup>1</sup> / <sub>4</sub> "	17 <sup>7</sup> / <sub>8</sub> "	17 <sup>1</sup> / <sub>16</sub> "	23 <sup>1</sup> / <sub>2</sub> "	16 <sup>3</sup> / <sub>8</sub> "	19 <sup>5</sup> / <sub>16</sub> "	25 <sup>7</sup> / <sub>8</sub> "
CGN100H30	25 <sup>15</sup> / <sub>16</sub> "	26 <sup>3</sup> / <sub>16</sub> "	44 <sup>1</sup> / <sub>4</sub> "	17 <sup>7</sup> / <sub>8</sub> "	17 <sup>1</sup> / <sub>16</sub> "	29 <sup>1</sup> / <sub>2</sub> "	16 <sup>3</sup> / <sub>8</sub> "	22 <sup>9</sup> / <sub>16</sub> "	26 <sup>3</sup> / <sub>16</sub> "
CGN200H24	24 <sup>5</sup> / <sub>16</sub> "	25 <sup>7</sup> / <sub>8</sub> "	38 <sup>1</sup> / <sub>4</sub> "	17 <sup>7</sup> / <sub>8</sub> "	17 <sup>1</sup> / <sub>16</sub> "	24 <sup>1</sup> / <sub>4</sub> "	16 <sup>3</sup> / <sub>8</sub> "	22"	25 <sup>7</sup> / <sub>8</sub> "
CGN200H30	25 <sup>15</sup> / <sub>16</sub> "	26 <sup>3</sup> / <sub>16</sub> "	44 <sup>1</sup> / <sub>4</sub> "	17 <sup>7</sup> / <sub>8</sub> "	17 <sup>1</sup> / <sub>16</sub> "	30 <sup>1</sup> / <sub>4</sub> "	16 <sup>3</sup> / <sub>8</sub> "	22 <sup>9</sup> / <sub>16</sub> "	26 <sup>3</sup> / <sub>16</sub> "



(front view)



(side view)

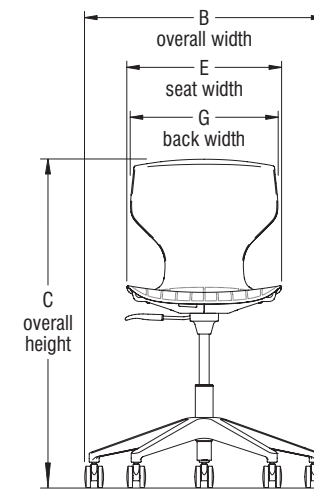


(top view)

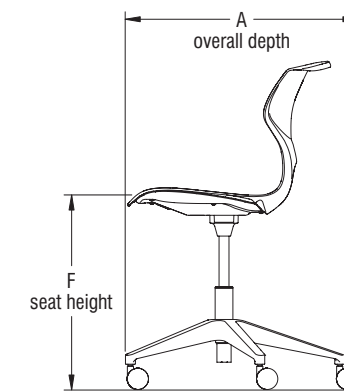
## DIMENSIONS

## Cogni Task Chairs - (model CG5100 shown)

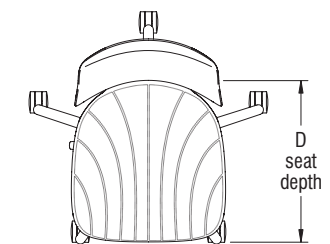
Model Number	A Overall Depth	B Overall Width	C Overall Height	D Seat Depth	E Seat Width	F Seat Height	G Backrest Width
CG5100	25 <sup>13</sup> / <sub>16</sub> "	26 <sup>1</sup> / <sub>2</sub> "	31 <sup>3</sup> / <sub>4</sub> "-36 <sup>1</sup> / <sub>2</sub> "	18 <sup>1</sup> / <sub>16</sub> "	17 <sup>1</sup> / <sub>16</sub> "	17"-21 <sup>3</sup> / <sub>4</sub> "	16 <sup>3</sup> / <sub>8</sub> "
CG5200	25 <sup>13</sup> / <sub>16</sub> "	26 <sup>1</sup> / <sub>2</sub> "	31 <sup>3</sup> / <sub>4</sub> "-36 <sup>1</sup> / <sub>2</sub> "	18 <sup>1</sup> / <sub>16</sub> "	17 <sup>1</sup> / <sub>16</sub> "	17 <sup>1</sup> / <sub>2</sub> "-22 <sup>1</sup> / <sub>4</sub> "	16 <sup>3</sup> / <sub>8</sub> "



(front view)



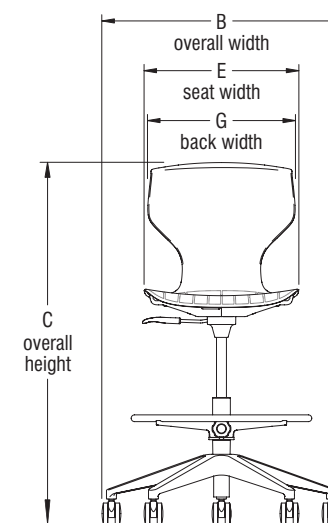
(side view)



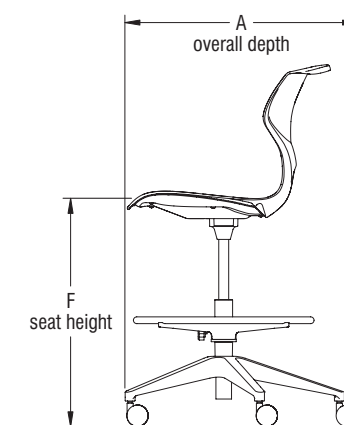
(top view)

## Cogni Armless Task Mid Range Stools - (model CG100M shown)

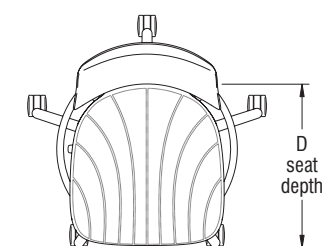
Model Number	A Overall Depth	B Overall Width	C Overall Height	D Seat Depth	E Seat Width	F Seat Height	G Backrest Width
CG6100M	25 <sup>13</sup> / <sub>16</sub> "	26 <sup>1</sup> / <sub>2</sub> "	32 <sup>1</sup> / <sub>2</sub> "-39 <sup>3</sup> / <sub>4</sub> "	18 <sup>1</sup> / <sub>16</sub> "	17 <sup>1</sup> / <sub>16</sub> "	17 <sup>1</sup> / <sub>2</sub> "-25"	16 <sup>3</sup> / <sub>8</sub> "
CG6200M	25 <sup>13</sup> / <sub>16</sub> "	26 <sup>1</sup> / <sub>2</sub> "	32 <sup>1</sup> / <sub>2</sub> "-39 <sup>3</sup> / <sub>4</sub> "	18 <sup>1</sup> / <sub>16</sub> "	17 <sup>1</sup> / <sub>16</sub> "	18"-25 <sup>1</sup> / <sub>2</sub> "	16 <sup>3</sup> / <sub>8</sub> "



(front view)



(side view)

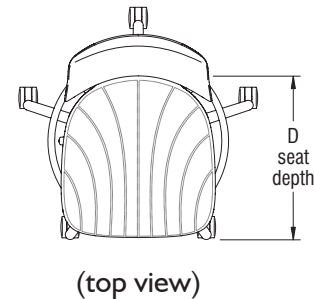
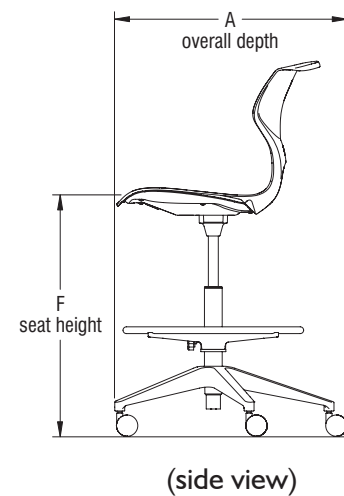
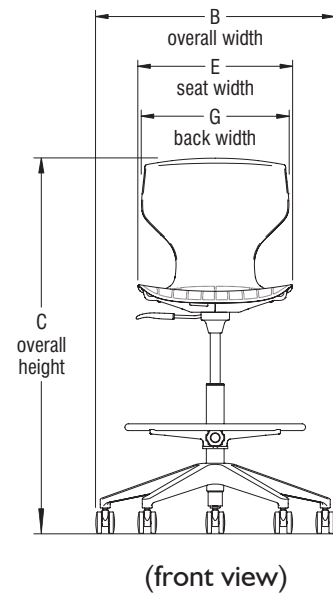


(top view)

## DIMENSIONS

## Cogni Task Stools - (model CG6100 shown)

Model Number	A Overall Depth	B Overall Width	C Overall Height	D Seat Depth	E Seat Width	F Seat Height	G Backrest Width
CG6100	25 <sup>13</sup> / <sub>16</sub> "	26 <sup>1</sup> / <sub>2</sub> "	37 <sup>1</sup> / <sub>4</sub> "-47 <sup>3</sup> / <sub>4</sub> "	18 <sup>1</sup> / <sub>16</sub> "	17 <sup>1</sup> / <sub>16</sub> "	22 <sup>1</sup> / <sub>2</sub> "-33"	16 <sup>3</sup> / <sub>8</sub> "
CG6200	25 <sup>13</sup> / <sub>16</sub> "	26 <sup>1</sup> / <sub>2</sub> "	37 <sup>1</sup> / <sub>4</sub> "-47 <sup>3</sup> / <sub>4</sub> "	18 <sup>1</sup> / <sub>16</sub> "	17 <sup>1</sup> / <sub>16</sub> "	23"-33 <sup>1</sup> / <sub>2</sub> "	16 <sup>3</sup> / <sub>8</sub> "

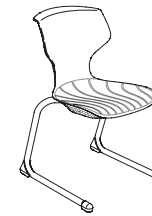


## STATEMENT OF LINE

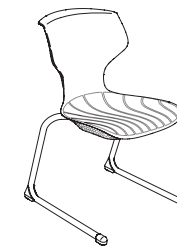
## Cogni Cantilever Chairs



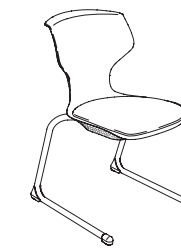
Small Chair  
with Poly Seat  
14" Seat Height  
Glide Base  
CGG100H14



Medium Chair  
with Poly Seat  
16" Seat Height  
Glide Base  
CGG100H16



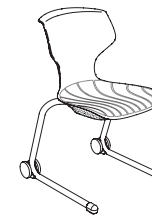
Large Chair  
with Poly Seat  
18" Seat Height  
Glide Base  
CGG100H18



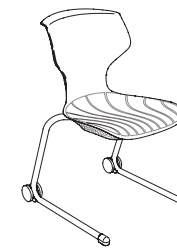
Large Chair  
with Upholstered Seat  
18" Seat Height  
Glide Base  
CGG200H18



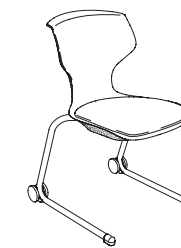
Small Chair  
with Poly Seat  
14" Seat Height  
Heel Wheel Base  
CGM100H14



Medium Chair  
with Poly Seat  
16" Seat Height  
Heel Wheel Base  
CGM100H16



Large Chair  
with Poly Seat  
18" Seat Height  
Heel Wheel Base  
CGM100H18



Large Chair  
with Upholstered Seat  
18" Seat Height  
Heel Wheel Base  
CGM200H18

## Cogni 4-Leg Chairs



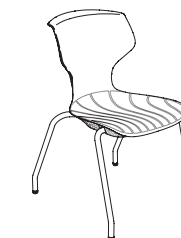
Extra Small Chair  
with Poly Seat  
12" Seat Height  
Glide Base  
CG1100H12



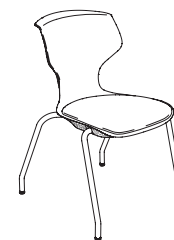
Small Chair  
with Poly Seat  
14" Seat Height  
Glide Base  
CG1100H14



Medium Chair  
with Poly Seat  
16" Seat Height  
Glide Base  
CG1100H16



Large Chair  
with Poly Seat  
18" Seat Height  
Glide Base  
CG1100H18

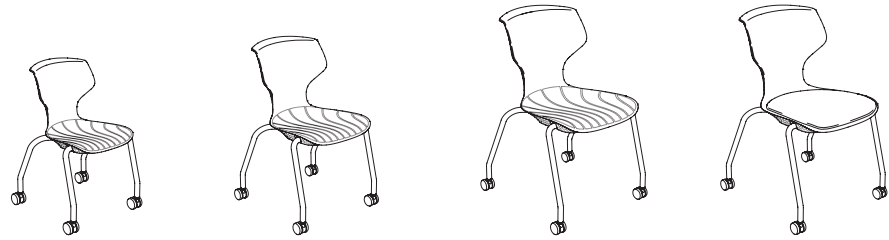


Large Chair  
with Upholstered Seat  
18" Seat Height  
Glide Base  
CG1200H18



## STATEMENT OF LINE

## Cogni 4-Leg Chairs (cont.)



Small Chair  
with Poly Seat  
14" Seat Height  
Caster Base  
CG2100H14

Medium Chair  
with Poly Seat  
16" Seat Height  
Caster Base  
CG2100H16

Large Chair  
with Poly Seat  
18" Seat Height  
Caster Base  
CG2100H18

Large Chair  
with Upholstered Seat  
18" Seat Height  
Caster Base  
CG2200H18

## Cogni 4-Leg Stools



Poly Seat  
24" Seat Height  
Glide Base  
CG4100H24

Poly Seat  
30" Seat Height  
Glide Base  
CG4100H30

Upholstered Seat  
24" Seat Height  
Glide Base  
CG4200H24

Upholstered Seat  
30" Seat Height  
Glide Base  
CG4200H30



Poly Seat  
24" Seat Height  
Caster Base  
CGN100H24

Poly Seat  
30" Seat Height  
Caster Base  
CGN100H30

Upholstered Seat  
24" Seat Height  
Caster Base  
CGN200H24

Upholstered Seat  
30" Seat Height  
Caster Base  
CGN200H30

## STATEMENT OF LINE

## Cogni Task Chairs



Poly Seat  
CG5100

Upholstered Seat  
CG5200

## Cogni Task Stools



Poly Seat  
Mid-Height Range  
CG6100M

Upholstered Seat  
Mid-Height Range  
CG6200M

Poly Seat  
CG6100

Upholstered Seat  
CG6200

## CLASSROOM SEATING & DESK/TABLE HEIGHTS ■

Cogni, Intellect Wave®, Intellect™ Activity Tables & Ruckus®

January 2025

Recommended Chair, Table & Desk Heights								
SEATING measured to top of seat	12"	13"	14"	15"	16"	18"	24"	30"
DESKS/ TABLES without book box	19"-21"	21"-23"	22"-24"	24"-26"	26"-28"	28"-30"	35"-37"	40"-43"
GRADE LEVEL								
Pre-K								
K								
1								
2								
3								
4								
5 and up								

### Cogni

- 4-leg chairs - 12", 14", 16" & 18" seat heights
- cantilever chairs - 14", 16" & 18" seat heights
- 4-leg stools - 24" & 30" seat heights

### Intellect Wave

- 4-leg chairs - 13", 15" & 18" seat heights
- cantilever chairs - 13", 15" & 18" seat heights
- cantilever & 4-leg desks - 29" fixed & cantilever adjustable 24"-30", 4-leg adjustable 22"-34"
- sit-stand desks - adjustable 29"-41"
- trapezoid desks - 29" fixed & adjustable 22"-34"
- tripod desks - adjustable heights 22"-34"
- two-student desks - 29" desk heights

### Intellect Activity Tables

- tables - adjustable heights 22"-32"

### Ruckus

- chairs - 15" & 18" seat heights
- cantilever desks - 29" & adjustable 27<sup>1</sup>/<sub>4</sub>"-41<sup>1</sup>/<sub>2</sub>"
- cantilever ADA desk - 27<sup>1</sup>/<sub>4</sub>"-31<sup>1</sup>/<sub>4</sub>"
- post-leg desks & activity tables (3/4" thick tops) - 28<sup>1</sup>/<sub>2</sub>", adjustable 11<sup>1</sup>/<sub>2</sub>"-18<sup>1</sup>/<sub>2</sub>", adjustable 19<sup>1</sup>/<sub>2</sub>"-32<sup>1</sup>/<sub>2</sub>" & adjustable 28<sup>1</sup>/<sub>2</sub>"-41<sup>1</sup>/<sub>2</sub>"
- post-leg desks & activity tables (1<sup>1</sup>/<sub>4</sub>" thick tops) - 29", adjustable 12"-19", adjustable 20"-33" & adjustable 29"-42"
- worktables - laminate tops 36", phenolic resin tops 35<sup>3</sup>/<sub>4</sub>", and butcher block wood tops 36<sup>1</sup>/<sub>2</sub>"



<b>Frame Color</b>		Sky Blue	PSK	Poppy Red	SPR
Black	BL	Surf's Up	PSP	Purple Haze	SPH
Blue Grey	GR	Tarragon	PTQ	Rainforest	SRQ
Bronze Metallic	ZM	Twilight Shadow	PTI	Raw Jasper	SRJ
Cayenne	CY	Ultra Blue	PUB	Rubber Ducky	SRK
Champagne Metallic	CM	Warm Grey	PWG	Sand	SSA
Chrome	CH	Zesty Lime	PZL	Sky Blue	SSK
Cool Grey	CG			Starlight Silver Metallic	SSX
Cottonwood	CO	<b>Shroud Color (4-leg, Cantilever &amp; Stack Stools)</b>		Surf's Up	SSP
Earthen Clay	EY	Black	SBL	Tarrogon	STQ
Espresso Metallic	EX	Blue Grey	SGR	Twilight Shadow	STI
Everglade Shade	EV	Cayenne	SCY	Ultra Blue	SUB
Flannel	FN	Cool Grey	SCG	Warm Grey	SWG
Glitz Metallic	GZ	Cottonwood	SCO	Zesty Lime	SZL
Hazy Jade	HJ	Earthen Clay	SEY		
Honey Bee	HY	Everglade Shade	SEV	<b>Base Colors</b>	
Light Tone	LG	Flannel	SNF	Black	BBL
Mardi Gras	MG	Hazy Jade	SHJ	Warm Grey	BWG
Misty Brown	MY	Honey Bee	SHY		
Nemo	NE	Light Tone	SLG	<b>Caster Color</b>	
Nordic	ND	Mardi Gras	SMG	Dual surface casters, Black	UCBL
Poppy Red	PR	Misty Brown	SMY	Dual surface casters, Warm Grey	UCWG
Purple Haze	PH	Nemo	SNE	<b>Base/Caster Color</b>	
Rainforest	RQ	Nordic	SND	Bell glide (black only)	GBG
Raw Jasper	RJ	Poppy Red	SPR	Dual surface casters, Black	UCBL
Rubber Ducky	RK	Purple Haze	SPH		
Sand	SA	Rainforest	SRQ		
Sky Blue	SK	Raw Jasper	SRJ		
Starlight Silver Metallic	SX	Rubber Ducky	SRK		
Surf's Up	SP	Sand	SSA		
Tarragon	TQ	Sky Blue	SSK		
Twilight Shadow	TI	Surf's Up	SSP		
Ultra Blue	UB	Tarrogon	STQ		
Warm Grey	WG	Twilight Shadow	STI		
Zesty Lime	ZL	Ultra Blue	SUB		
		Warm Grey	SWG		
		Zesty Lime	SZL		
<b>Shell Colors</b>					
Black	PBL				
Blue Grey	PGR	<b>Shroud Color (Task Chairs &amp; Task Stools)</b>			
Cayenne	PCY	Black	SBL		
Cool Grey	PCG	Blue Grey	SGR		
Cottonwood	PCO	Bronze Metallic	SZM		
Earthen Clay	PEY	Cayenne	SCY		
Everglade Shade	PEV	Champagne Metallic	SCM		
Flannel	PFN	Cool Grey	SCG		
Hazy Jade	PHJ	Cottonwood	SCO		
Honey Bee	PHY	Earthen Clay	SEY		
Light Tone	PLG	Espresso Metallic	SEX		
Mardi Gras	PMG	Everglade Shade	SEV		
Misty Brown	PMY	Flannel	SNF		
Nemo	PNE	Glitz Metallic	SGZ		
Nordic	PND	Hazy Jade	SHJ		
Poppy Red	PPR	Honey Bee	SHY		
Purple Haze	PPH	Light Tone	SLG		
Rainforest	PRQ	Mardi Gras	SMG		
Raw Jasper	PRJ	Misty Brown	SMY		
Rubber Ducky	PRK	Nemo	SNE		
Sand	PSA	Nordic	SND		



Finish Cards

View color swatches for items listed within this document.

- Paints**
- Wood/Veneer**
- Molded Edges**
- Hard Plastics**
- Plastics/Poly**
- Laminates**
- Edge Styles**
- Glass**

Certain options referenced may not be available on GSA Schedule.



MODEL	Features	H	MODEL NUMBER							Approx. Packaged Weight	Freight Excluded Pricing	Chrome Upcharge add to list price		
			Basic Model	Frame Color	Shell Color	Shroud Color	Glide Option	Glide/Wheel Color	Package Code					
 <p><b>Glide Base</b></p> <ul style="list-style-type: none"> <li>Stacking</li> <li>Stacking shroud with tactile surfaces</li> <li>Non-directional seat design</li> <li>11 degrees of back articulation</li> <li>5 degrees of responsive frame flex</li> <li>Comfort ledge on back supports arms</li> </ul>	Small	14"	CGG100H14	<input type="checkbox"/>	<input type="checkbox"/>	<input type="checkbox"/>	<input type="checkbox"/>	<input type="checkbox"/>	<input type="checkbox"/>	CTN	13.00#	\$ 190	\$ 11	
	Medium	16"	CGG100H16	<input type="checkbox"/>	<input type="checkbox"/>	<input type="checkbox"/>	<input type="checkbox"/>	<input type="checkbox"/>	<input type="checkbox"/>	CTN	16.00#	191	11	
	Large	18"	CGG100H18	<input type="checkbox"/>	<input type="checkbox"/>	<input type="checkbox"/>	<input type="checkbox"/>	<input type="checkbox"/>	<input type="checkbox"/>	<input type="checkbox"/>	21.00#	192	11	
CGG1														
 <p><b>Heel Wheel</b></p> <ul style="list-style-type: none"> <li>Stacking</li> <li>Stacking shroud with tactile surfaces</li> <li>Non-directional seat design</li> <li>11 degrees of back articulation</li> <li>5 degrees of responsive frame flex</li> <li>Comfort ledge on back supports arms</li> <li>Anti-tip heel wheel mobilizes 4 chairs</li> <li>Dual surface wheel</li> </ul>	Small	14"	CGM100H14	<input type="checkbox"/>	<input type="checkbox"/>	<input type="checkbox"/>	<input type="checkbox"/>	<input type="checkbox"/>	<input type="checkbox"/>	CTN	13.00#	\$ 213	\$ 11	
	Medium	16"	CGM100H16	<input type="checkbox"/>	<input type="checkbox"/>	<input type="checkbox"/>	<input type="checkbox"/>	<input type="checkbox"/>	<input type="checkbox"/>	CTN	16.00#	214	11	
	Large	18"	CGM100H18	<input type="checkbox"/>	<input type="checkbox"/>	<input type="checkbox"/>	<input type="checkbox"/>	<input type="checkbox"/>	<input type="checkbox"/>	<input type="checkbox"/>	21.00#	215	11	
CGM1														
			<b>A</b>	<b>B</b>	<b>C</b>	<b>D</b>	<b>E</b>	<b>F</b>	<b>G</b>					

**HOW TO ORDER**

- Indicate the following information on order form:
- Quantity of each item.
  - Model number, including options. See "How To Build a Model Number".
  - Any special service required.

Note:

- The  indicates that a choice is required.
- The absence of the  indicates that no choice is required.
- Alpha-numeric characters in place of  indicate that no other alternatives are available.

**HOW TO BUILD A MODEL NUMBER**

- A** Select basic model.
- B** Select frame color. Refer to the **Product Color Options** page in this price list.
- C** Select shell color. Refer to the **Product Color Options** page in this price list.
- D** Select shroud color. Refer to the **Product Color Options** page in this price list.
- E** Select glide option.
  - GSL** - Steel glides
  - GHY** - Hybrid glide
  - GPL** - Nylon plastic glides
  - GFT** - Felt glides
- F** Select glide/wheel color. Refer to the **Product Color Options** page in this price list.

- G** Select packaging code.
  - CTN** - Cartoned
  - RCK** - Racked
 Minimum Quantity to Rack is 15.

**SPECIAL SERVICES**



**Special Carton Marking**

With specially marked information N/C

**Shipping**  
Ships **assembled, FOB Green Bay, WI 54302, freight excluded.** Freight class 250.

Specifications and prices are subject to change without prior notice.



MODEL	Features	H	MODEL NUMBER								Approx. Packaged Weight	Freight Excluded Pricing Fabric C.O.M.	Freight Excluded Pricing Fabric Grade 1	Freight Excluded Pricing Fabric Grade 2	Freight Excluded Pricing Fabric Grade 3 & Group 2V Vinyl	Freight Excluded Pricing Pallas Fabric Group P0	Freight Excluded Pricing Pallas Fabric Group P1	Freight Excluded Pricing Pallas Fabric Group P2	Freight Excluded Pricing Pallas Fabric Group P3	Freight Excluded Pricing Pallas Fabric Group P4	Chrome Upcharge add to list price			
			Basic Model	Frame Color	Shell Color	Shroud Color	Glide Option	Glide/Wheel Color	Package Code	Uph. Color														
 <p><b>CGG2</b></p> <p><b>Upholstered Seat Glide Base</b></p> <ul style="list-style-type: none"> <li>Stacking</li> <li>Stacking shroud with tactile surfaces</li> <li>Non-directional seat design</li> <li>11 degrees of back articulation</li> <li>5 degrees of responsive frame flex</li> <li>Comfort ledge on back supports arms</li> </ul>	Large	18-5/8"	CGG200H18	<input type="checkbox"/>	<input type="checkbox"/>	<input type="checkbox"/>	<input type="checkbox"/>	<input type="checkbox"/>	<input type="checkbox"/>	CTN	<input type="checkbox"/>	23.00#	\$ 310	\$ 310	\$ 330	\$ 336	\$ 330	\$ 345	\$ 354	\$ 363	\$ 372	\$ 11		
 <p><b>CGM2</b></p> <p><b>Upholstered Seat Heel Wheel</b></p> <ul style="list-style-type: none"> <li>Stacking</li> <li>Stacking shroud with tactile surfaces</li> <li>Non-directional seat design</li> <li>11 degrees of back articulation</li> <li>5 degrees of responsive frame flex</li> <li>Comfort ledge on back supports arms</li> <li>Anti-tip heel wheel mobilizes 4 chairs</li> <li>Dual surface wheel</li> </ul>	Large	18-5/8"	CGM200H18	<input type="checkbox"/>	<input type="checkbox"/>	<input type="checkbox"/>	<input type="checkbox"/>	<input type="checkbox"/>	<input type="checkbox"/>	CTN	<input type="checkbox"/>	23.00#	\$ 332	\$ 332	\$ 352	\$ 359	\$ 352	\$ 368	\$ 377	\$ 385	\$ 394	\$ 11		

**A** **B** **C** **D** **E** **F** **G** **H**

**HOW TO ORDER**

- Indicate the following information on order form:
- Quantity of each item.
  - Model number, including options. See "How To Build a Model Number".
  - Any special service required.

Note:

- The  indicates that a choice is required.
- The absence of the  indicates that no choice is required.
- Alpha-numeric characters in place of  indicate that no other alternatives are available.

**HOW TO BUILD A MODEL NUMBER**

- A** Select basic model.
- B** Select frame color. Refer to the **Product Color Options** page in this price list.
- C** Select shell color. Refer to the **Product Color Options** page in this price list.
- D** Select shroud color. Refer to the **Product Color Options** page in this price list.
- E** Select glide option.
  - GSL** - Steel glides
  - GHY** - Hybrid glide
  - GPL** - Nylon plastic glides
  - GFT** - Felt glides
- F** Select glide/wheel color. Refer to the **Product Color Options** page in this price list.
- G** Select packaging code.
  - CTN** - Cartoned
  - RCK** - Racked
 Minimum Quantity to Rack is 15.
- H** Select upholstery option. Refer to [ki.com/fabrics](http://ki.com/fabrics)


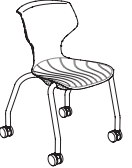
**SPECIAL SERVICES**

**Special Carton Marking**  
With specially marked information N/C

**Shipping**  
Ships assembled, FOB Green Bay, WI 54302, freight excluded. Freight class 250.

Specifications and prices are subject to change without prior notice.



MODEL	Features	H	MODEL NUMBER							Approx. Packaged Weight	Freight Excluded Pricing	Chrome Upcharge add to list price	
			Basic Model	Frame Color	Shell Color	Shroud Color	Glide Option	Caster Color	Package Code				
 <p><b>Glide Base</b></p> <ul style="list-style-type: none"> <li>Stacking</li> <li>Stacking shroud with tactile surfaces</li> <li>Non-directional seat design</li> <li>11 degrees of back articulation</li> <li>Comfort ledge on back supports arms</li> </ul>	Extra Small	12"	CG1100H12	<input type="checkbox"/>	<input type="checkbox"/>	<input type="checkbox"/>	<input type="checkbox"/>		CTN	11.00#	\$ 189	\$ 11	
	Small	14"	CG1100H14	<input type="checkbox"/>	<input type="checkbox"/>	<input type="checkbox"/>	<input type="checkbox"/>		CTN	11.00#	190	11	
	Medium	16"	CG1100H16	<input type="checkbox"/>	<input type="checkbox"/>	<input type="checkbox"/>	<input type="checkbox"/>		CTN	15.00#	191	11	
	Large	18"	CG1100H18	<input type="checkbox"/>	<input type="checkbox"/>	<input type="checkbox"/>	<input type="checkbox"/>		<input type="checkbox"/>	22.00#	192	11	
 <p><b>Caster Base</b></p> <ul style="list-style-type: none"> <li>Stacking</li> <li>Stacking shroud with tactile surfaces</li> <li>Non-directional seat design</li> <li>11 degrees of back articulation</li> <li>Comfort ledge on back supports arms</li> <li>Dual surface caster</li> </ul>	Small	14"	CG2100H14	<input type="checkbox"/>	<input type="checkbox"/>	<input type="checkbox"/>		<input type="checkbox"/>	CTN	11.00#	\$ 240	\$ 11	
	Medium	16"	CG2100H16	<input type="checkbox"/>	<input type="checkbox"/>	<input type="checkbox"/>		<input type="checkbox"/>	CTN	15.00#	241	11	
	Large	18"	CG2100H18	<input type="checkbox"/>	<input type="checkbox"/>	<input type="checkbox"/>		<input type="checkbox"/>	CTN	22.00#	242	11	
				<b>A</b>	<b>B</b>	<b>C</b>	<b>D</b>	<b>E</b>	<b>F</b>	<b>G</b>			

CG11

CG21

**HOW TO ORDER**

- Indicate the following information on order form:
- Quantity of each item.
  - Model number, including options. See "How To Build a Model Number".
  - Any special service required.

Note:

- The  indicates that a choice is required.
- The absence of the  indicates that no choice is required.
- Alpha-numeric characters in place of  indicate that no other alternatives are available.

**HOW TO BUILD A MODEL NUMBER**

- A** Select basic model.
- B** Select frame color. Refer to the **Product Color Options** page in this price list.
- C** Select shell color. Refer to the **Product Color Options** page in this price list.
- D** Select shroud color. Refer to the **Product Color Options** page in this price list.
- E** Select glide option.
  - GFT** - Felt glides
  - GPL** - Nylon plastic glides
  - GSL** - Steel glides
- F** Select caster color.
  - UCWG** - Dual surface casters, Warm Grey
  - UCBL** - Dual surface casters, Black

- G** Select packaging code.
  - CTN** - Cartoned
  - RCK** - Racked
 Minimum Quantity to Rack is 15.

**SPECIAL SERVICES**

**Special Carton Marking**

With specially marked information N/C



**Shipping**

Ships assembled, FOB Green Bay, WI 54302, freight excluded. Freight class 250.

Specifications and prices are subject to change without prior notice.





MODEL	H	MODEL NUMBER							Approx. Packaged Weight	Freight Excluded Pricing	Chrome Upcharge add to list price
		Basic Model	Frame Color	Shell Color	Shroud Color	Glide Option	Caster Color	Package Code			
 <p><b>Glide Base</b></p> <ul style="list-style-type: none"> <li>Stacking</li> <li>Stacking shroud with tactile surfaces</li> <li>Non-directional seat design</li> <li>11 degrees of back articulation</li> <li>Comfort ledge on back supports arms</li> </ul>	23-1/2"	CG4100H24	<input type="checkbox"/>	<input type="checkbox"/>	<input type="checkbox"/>	<input type="checkbox"/>	<input type="checkbox"/>	CTN	29.00#	\$ 299	\$ 15
	29-1/2"	CG4100H30	<input type="checkbox"/>	<input type="checkbox"/>	<input type="checkbox"/>	<input type="checkbox"/>	<input type="checkbox"/>		CTN	30.00#	310
 <p><b>Caster Base</b></p> <ul style="list-style-type: none"> <li>Stacking</li> <li>Stacking shroud with tactile surfaces</li> <li>Non-directional seat design</li> <li>11 degrees of back articulation</li> <li>Comfort ledge on back supports arms</li> <li>Dual surface caster</li> </ul>	23-1/2"	CGN100H24	<input type="checkbox"/>	<input type="checkbox"/>	<input type="checkbox"/>		<input type="checkbox"/>	CTN	29.00#	\$ 354	\$ 15
	29-1/2"	CGN100H30	<input type="checkbox"/>	<input type="checkbox"/>	<input type="checkbox"/>		<input type="checkbox"/>	CTN	30.00#	366	15

**A** **B** **C** **D** **E** **F** **G**

**HOW TO ORDER**

- Indicate the following information on order form:
- Quantity of each item.
  - Model number, including options. See "How To Build a Model Number".
  - Any special service required.

Note:

- The  indicates that a choice is required.
- The absence of the  indicates that no choice is required.
- Alpha-numeric characters in place of  indicate that no other alternatives are available.

**HOW TO BUILD A MODEL NUMBER**

- A** Select basic model.
- B** Select frame color. Refer to the **Product Color Options** page in this price list.
- C** Select shell color. Refer to the **Product Color Options** page in this price list.
- D** Select shroud color. Refer to the **Product Color Options** page in this price list.
- E** Select glide option.
  - GFT** - Felt glides
  - GPL** - Nylon plastic glides
  - GSL** - Steel glides
- F** Select caster color.
  - UCBL** - Dual surface casters, Black
  - UCWG** - Dual surface casters, Warm Grey

**G** Select packaging code.  
**CTN** - Cartoned

**SPECIAL SERVICES**

**Special Carton Marking**



With specially marked information N/C

**Shipping**

Ships assembled, FOB Green Bay, WI 54302, freight excluded. Freight class 300.

Specifications and prices are subject to change without prior notice.



MODEL	H	MODEL NUMBER								Approx. Packaged Weight	Freight Excluded Pricing Fabric C.O.M.	Freight Excluded Pricing Fabric Grade 1	Freight Excluded Pricing Fabric Grade 2	Freight Excluded Pricing Fabric Grade 3 & Group 2V Vinyl	Freight Excluded Pricing Pallas Fabric Group P0	Freight Excluded Pricing Pallas Fabric Group P1	Freight Excluded Pricing Pallas Fabric Group P2	Freight Excluded Pricing Pallas Fabric Group P3	Freight Excluded Pricing Pallas Fabric Group P4	Chrome Upcharge add to list price
		Basic Model	Frame Color	Shell Color	Shroud Color	Glide Option	Caster Color	Package Code	Uph. Color											
 <p><b>Upholstered Seat Glide Base</b></p> <ul style="list-style-type: none"> <li>Stacking</li> <li>Stacking shroud with tactile surfaces</li> <li>Non-directional seat design</li> <li>11 degrees of back articulation</li> <li>Comfort ledge on back supports arms</li> </ul>	24-1/4"	CG4200H24	<input type="checkbox"/>	<input type="checkbox"/>	<input type="checkbox"/>	<input type="checkbox"/>		CTN	<input type="checkbox"/>	31.00#	\$ 417	\$ 417	\$ 437	\$ 443	\$ 437	\$ 452	\$ 462	\$ 470	\$ 479	\$ 15
	30-1/4"	CG4200H30	<input type="checkbox"/>	<input type="checkbox"/>	<input type="checkbox"/>	<input type="checkbox"/>		CTN	<input type="checkbox"/>	32.00#	427	427	447	453	447	463	472	480	489	15
 <p><b>Upholstered Seat Caster Base</b></p> <ul style="list-style-type: none"> <li>Stacking</li> <li>Stacking shroud with tactile surfaces</li> <li>Non-directional seat design</li> <li>11 degrees of back articulation</li> <li>Comfort ledge on back supports arms</li> <li>Dual surface caster</li> </ul>	24-1/4"	CGN200H24	<input type="checkbox"/>	<input type="checkbox"/>	<input type="checkbox"/>		<input type="checkbox"/>	CTN	<input type="checkbox"/>	31.00#	\$ 472	\$ 472	\$ 492	\$ 498	\$ 492	\$ 507	\$ 517	\$ 525	\$ 534	\$ 15
	30-1/4"	CGN200H30	<input type="checkbox"/>	<input type="checkbox"/>	<input type="checkbox"/>		<input type="checkbox"/>	CTN	<input type="checkbox"/>	32.00#	483	483	503	509	503	519	528	536	545	15

**A** **B** **C** **D** **E** **F** **G** **H**

**HOW TO ORDER**

- Indicate the following information on order form:
- Quantity of each item.
  - Model number, including options. See "How To Build a Model Number".
  - Any special service required.

Note:

- The  indicates that a choice is required.
- The absence of the  indicates that no choice is required.
- Alpha-numeric characters in place of  indicate that no other alternatives are available.

**HOW TO BUILD A MODEL NUMBER**

- A** Select basic model.
- B** Select frame color. Refer to the **Product Color Options** page in this price list.
- C** Select shell color. Refer to the **Product Color Options** page in this price list.
- D** Select shroud color. Refer to the **Product Color Options** page in this price list.
- E** Select glide option.
  - GFT** - Felt glides
  - GPL** - Nylon plastic glides
  - GSL** - Steel glides
- F** Select caster color.
  - UCBL** - Dual surface casters, Black
  - UCWG** - Dual surface casters, Warm Grey

**G** Select packaging code.  
**CTN** - Cartoned

**H** Select upholstery option.  
Refer to [ki.com/fabrics](http://ki.com/fabrics)

**SPECIAL SERVICES**

**Special Carton Marking**




With specially marked information N/C

**Shipping**

Ships **assembled, FOB Green Bay, WI 54302, freight excluded.** Freight class 300.

Specifications and prices are subject to change without prior notice.



MODEL	H	MODEL NUMBER				Approx. Packaged Weight	Freight Excluded Pricing
		Basic Model	Shell Color	Shroud Color	Base Option		
 <p><b>Armless Task Chair</b>                      • Non-directional seat design                      • Comfort ledge on back supports arms                      • Dual surface caster</p>	17" to 21-3/4"	CG5100	<input type="checkbox"/> <input type="checkbox"/>	<input type="checkbox"/> <input type="checkbox"/>	<input type="checkbox"/> <input type="checkbox"/>	30.00#	\$ 336
CG51							
 <p><b>Mid Range Armless Task Stool</b>                      • Non-directional seat design                      • Comfort ledge on back supports arms                      • Dual surface caster</p>	17-1/2 to 25"	CG6100M	<input type="checkbox"/> <input type="checkbox"/>	<input type="checkbox"/> <input type="checkbox"/>	<input type="checkbox"/> <input type="checkbox"/>	33.00#	\$ 393
CG61							
 <p><b>Large Armless Task Stool</b>                      • Non-directional seat design                      • Comfort ledge on back supports arms                      • Dual surface caster</p>	22-1/2" to 33"	CG6100	<input type="checkbox"/> <input type="checkbox"/>	<input type="checkbox"/> <input type="checkbox"/>	<input type="checkbox"/> <input type="checkbox"/>	34.00#	\$ 395
CG61							

**A**   **B**   **C**   **D**

**HOW TO ORDER**

- Indicate the following information on order form:
- Quantity of each item.
  - Model number, including options. See "How To Build a Model Number".
  - Any special service required.

Note:

- The  indicates that a choice is required.
- The absence of the  indicates that no choice is required.
- Alpha-numeric characters in place of  indicate that no other alternatives are available.

**HOW TO BUILD A MODEL NUMBER**

- A** Select basic model.
- B** Select shell color.  
Refer to the **Product Color Options** page in this price list.
- C** Select shroud color.  
Refer to the **Product Color Options** page in this price list.
- D** Select base option.  

<b>GBG</b>	- Bell glide (black only)
<b>UCBL</b>	- Dual surface casters, Black

**SPECIAL SERVICES**

**Special Carton Marking**

With specially marked information    N/C

**Shipping**  
Ships **knocked down**, FOB Green Bay, WI 54302, **freight excluded**. Freight class 175.

Specifications and prices are subject to change without prior notice.




# Cogni™ Seating (Freight Excluded)

Upholstered Seat Armless Task Chairs & Stools



# Cogni™ Seating (Freight Excluded)

Upholstered Seat Armless Task Chairs & Stools

MODEL	H	MODEL NUMBER					Approx. Packaged Weight	Freight Excluded Pricing Fabric C.O.M.	Freight Excluded Pricing Fabric Grade 1	Freight Excluded Pricing Fabric Grade 2	Freight Excluded Pricing Fabric Grade 3 & Group 2V Vinyl	Freight Excluded Pricing Pallas Fabric Group P0	Freight Excluded Pricing Pallas Fabric Group P1	Freight Excluded Pricing Pallas Fabric Group P2	Freight Excluded Pricing Pallas Fabric Group P3	Freight Excluded Pricing Pallas Fabric Group P4
		Basic Model	Shell Color	Shroud Color	Base Option	Uph. Color										
 <p><b>Upholstered Seat Armless Task Chair</b>                      • Non-directional seat design                      • Comfort ledge on back supports arms                      • Dual surface caster</p>	17-1/2" to 22-1/4"	CG5200	<input type="checkbox"/>	<input type="checkbox"/>	<input type="checkbox"/>	<input type="checkbox"/>	32.00#	\$ 462	\$ 462	\$ 482	\$ 488	\$ 482	\$ 497	\$ 506	\$ 515	\$ 524
	CG52															
 <p><b>Upholstered Seat Mid Range Armless Task Stool</b>                      • Non-directional seat design                      • Comfort ledge on back supports arms                      • Dual surface caster</p>	18" to 25-1/2"	CG6200M	<input type="checkbox"/>	<input type="checkbox"/>	<input type="checkbox"/>	<input type="checkbox"/>	35.00#	\$ 520	\$ 520	\$ 540	\$ 546	\$ 540	\$ 555	\$ 565	\$ 573	\$ 582
	CG62															
 <p><b>Upholstered Seat Armless Task Stool</b>                      • Non-directional seat design                      • Comfort ledge on back supports arms                      • Dual surface caster</p>	23" to 33-1/2"	CG6200	<input type="checkbox"/>	<input type="checkbox"/>	<input type="checkbox"/>	<input type="checkbox"/>	36.00#	\$ 520	\$ 520	\$ 540	\$ 546	\$ 540	\$ 555	\$ 565	\$ 573	\$ 582
	CG62															

**A**   **B**   **C**   **D**   **E**

## HOW TO ORDER

- Indicate the following information on order form:
- Quantity of each item.
  - Model number, including options. See "How To Build a Model Number".
  - Any special service required.

Note:

- The  indicates that a choice is required.
- The absence of the  indicates that no choice is required.
- Alpha-numeric characters in place of  indicate that no other alternatives are available.

## HOW TO BUILD A MODEL NUMBER

- A** Select basic model.
- B** Select shell color.  
Refer to the **Product Color Options** page in this price list.
- C** Select shroud color.  
Refer to the **Product Color Options** page in this price list.
- D** Select base option.  

<b>GBG</b>	- Bell glide (black only)
<b>UCBL</b>	- Dual surface casters, Black
- E** Select upholstery option.  
Refer to [ki.com/fabrics](http://ki.com/fabrics)

## SPECIAL SERVICES

### Special Carton Marking

With specially marked information    N/C

### Shipping

Ships **knocked down**, **FOB Green Bay, WI 54302**, **freight excluded**. Freight class 175.

Specifications and prices are subject to change without prior notice.



MODEL	MODEL NUMBER	Approx. Packaged Weight	Freight Excluded Pricing
	Basic Model		
CGAD	<b>18”H Cantilever Chair Dolly, Black</b>	32.00#	\$ 459
	<ul style="list-style-type: none"> <li>Dolly is black only</li> <li>Not compatible with smaller Cogni chair sizes</li> <li>Stack quantity is (6) chairs</li> <li>Integral handle is included</li> </ul>		
	CGADCD		
CGAD	<b>18”H 4-Leg Chair Dolly</b>	32.00#	\$ 459
	<ul style="list-style-type: none"> <li>Dolly is black only</li> <li>Not compatible with smaller Cogni chair sizes</li> <li>Stack quantity is (6) chairs</li> <li>Integral handle is included</li> </ul>		
	CGADLD		

**A**

**HOW TO ORDER**

- Indicate the following information on order form:
- Quantity of each item.
  - Model number, including options. See “How To Build a Model Number”.
  - Any special service required.

- Note:
- The  indicates that a choice is required.
  - The absence of the  indicates that no choice is required.
  - Alpha-numeric characters in place of  indicate that no other alternatives are available.

**HOW TO BUILD A MODEL NUMBER**

- A** Select basic model.

**SPECIAL SERVICES**

**Special Carton Marking**

With specially marked information N/C

**Shipping**

Ships **assembled, FOB Green Bay, WI 54302, freight excluded.** Freight class 175.

Specifications and prices are subject to change without prior notice.



# Seating (Delivered)

Cantilever Chair



# Seating (Delivered)

Cantilever Chair

MODEL	Features	H	MODEL NUMBER							Approx. Packaged Weight	Delivered Pricing	Chrome Upcharge add to list price		
			Basic Model	Frame Color	Shell Color	Shroud Color	Glide Option	Glide/Wheel Color	Package Code					
 <p><b>Glide Base</b></p> <ul style="list-style-type: none"> <li>Stacking</li> <li>Stacking shroud with tactile surfaces</li> <li>Non-directional seat design</li> <li>11 degrees of back articulation</li> <li>5 degrees of responsive frame flex</li> <li>Comfort ledge on back supports arms</li> </ul>	Small	14"	CGG100H14	<input type="checkbox"/>	<input type="checkbox"/>	<input type="checkbox"/>	<input type="checkbox"/>	<input type="checkbox"/>	<input type="checkbox"/>	CTN	13.00#	\$ 204	\$ 11	
	Medium	16"	CGG100H16	<input type="checkbox"/>	<input type="checkbox"/>	<input type="checkbox"/>	<input type="checkbox"/>	<input type="checkbox"/>	<input type="checkbox"/>	CTN	16.00#	207	11	
	Large	18"	CGG100H18	<input type="checkbox"/>	<input type="checkbox"/>	<input type="checkbox"/>	<input type="checkbox"/>	<input type="checkbox"/>	<input type="checkbox"/>	<input type="checkbox"/>		21.00#	210	11
CGG1														
 <p><b>Heel Wheel</b></p> <ul style="list-style-type: none"> <li>Stacking</li> <li>Stacking shroud with tactile surfaces</li> <li>Non-directional seat design</li> <li>11 degrees of back articulation</li> <li>5 degrees of responsive frame flex</li> <li>Comfort ledge on back supports arms</li> <li>Anti-tip heel wheel mobilizes 4 chairs</li> <li>Dual surface wheel</li> </ul>	Small	14"	CGM100H14	<input type="checkbox"/>	<input type="checkbox"/>	<input type="checkbox"/>	<input type="checkbox"/>	<input type="checkbox"/>	<input type="checkbox"/>	CTN	13.00#	\$ 226	\$ 11	
	Medium	16"	CGM100H16	<input type="checkbox"/>	<input type="checkbox"/>	<input type="checkbox"/>	<input type="checkbox"/>	<input type="checkbox"/>	<input type="checkbox"/>	CTN	16.00#	228	11	
	Large	18"	CGM100H18	<input type="checkbox"/>	<input type="checkbox"/>	<input type="checkbox"/>	<input type="checkbox"/>	<input type="checkbox"/>	<input type="checkbox"/>	<input type="checkbox"/>		21.00#	230	11
CGM1														
			<b>A</b>	<b>B</b>	<b>C</b>	<b>D</b>	<b>E</b>	<b>F</b>	<b>G</b>					

## HOW TO ORDER

- Indicate the following information on order form:
- Quantity of each item.
  - Model number, including options. See "How To Build a Model Number".
  - Any special service required.

Note:

- The  indicates that a choice is required.
- The absence of the  indicates that no choice is required.
- Alpha-numeric characters in place of  indicate that no other alternatives are available.

## HOW TO BUILD A MODEL NUMBER

- A** Select basic model.
- B** Select frame color. Refer to the **Product Color Options** page in this price list.
- C** Select shell color. Refer to the **Product Color Options** page in this price list.
- D** Select shroud color. Refer to the **Product Color Options** page in this price list.
- E** Select glide option.
  - GSL** - Steel glides
  - GHY** - Hybrid glide
  - GPL** - Nylon plastic glides
  - GFT** - Felt glides
- F** Select glide/wheel color. Refer to the **Product Color Options** page in this price list.

- G** Select packaging code.
  - CTN** - Cartoned
  - RCK** - Racked
 Minimum Quantity to Rack is 15.

## SPECIAL SERVICES

### Special Carton Marking



With specially marked information N/C

### Shipping

Ships assembled, FOB Green Bay, WI 54302, freight prepaid. Freight class 250.

Specifications and prices are subject to change without prior notice.



MODEL	Features	H	MODEL NUMBER								Approx. Packaged Weight	Delivered Pricing C.O.M.	Delivered Pricing Fabric Grade 1	Delivered Pricing Fabric Grade 2	Delivered Pricing Fabric Grade 3 & Group 2V Vinyl	Delivered Pricing Pallas Fabric Group P0	Delivered Pricing Pallas Fabric Group P1	Delivered Pricing Pallas Fabric Group P2	Delivered Pricing Pallas Fabric Group P3	Delivered Pricing Pallas Fabric Group P4	Chrome Upcharge add to list price	
			Basic Model	Frame Color	Shell Color	Shroud Color	Glide Option	Glide/Wheel Color	Package Code	Uph. Color												
 <p><b>Upholstered Seat Glide Base</b></p> <ul style="list-style-type: none"> <li>Stacking</li> <li>Stacking shroud with tactile surfaces</li> <li>Non-directional seat design</li> <li>11 degrees of back articulation</li> <li>5 degrees of responsive frame flex</li> <li>Comfort ledge on back supports arms</li> </ul>	Large	18-5/8"	CGG200H18	<input type="checkbox"/>	<input type="checkbox"/>	<input type="checkbox"/>	<input type="checkbox"/>	<input type="checkbox"/>	<input type="checkbox"/>	CTN	<input type="checkbox"/>	23.00#	\$ 347	\$ 347	\$ 368	\$ 374	\$ 368	\$ 383	\$ 392	\$ 400	\$ 410	\$ 11
CGG2																						
 <p><b>Upholstered Seat Heel Wheel</b></p> <ul style="list-style-type: none"> <li>Stacking</li> <li>Stacking shroud with tactile surfaces</li> <li>Non-directional seat design</li> <li>11 degrees of back articulation</li> <li>5 degrees of responsive frame flex</li> <li>Comfort ledge on back supports arms</li> <li>Anti-tip heel wheel mobilizes 4 chairs</li> <li>Dual surface wheel</li> </ul>	Large	18-5/8"	CGM200H18	<input type="checkbox"/>	<input type="checkbox"/>	<input type="checkbox"/>	<input type="checkbox"/>	<input type="checkbox"/>	<input type="checkbox"/>	CTN	<input type="checkbox"/>	23.00#	\$ 369	\$ 369	\$ 389	\$ 395	\$ 389	\$ 404	\$ 414	\$ 422	\$ 431	\$ 11
CGM2																						
				<b>A</b>	<b>B</b>	<b>C</b>	<b>D</b>	<b>E</b>	<b>F</b>	<b>G</b>	<b>H</b>											

**HOW TO ORDER**

- Indicate the following information on order form:
- Quantity of each item.
  - Model number, including options. See "How To Build a Model Number".
  - Any special service required.

Note:

- The  indicates that a choice is required.
- The absence of the  indicates that no choice is required.
- Alpha-numeric characters in place of  indicate that no other alternatives are available.

**HOW TO BUILD A MODEL NUMBER**

- A** Select basic model.
- B** Select frame color. Refer to the **Product Color Options** page in this price list.
- C** Select shell color. Refer to the **Product Color Options** page in this price list.
- D** Select shroud color. Refer to the **Product Color Options** page in this price list.
- E** Select glide option.
  - GSL** - Steel glides
  - GHY** - Hybrid glide
  - GPL** - Nylon plastic glides
  - GFT** - Felt glides
- F** Select glide/wheel color. Refer to the **Product Color Options** page in this price list.

- G** Select packaging code.
  - CTN** - Cartoned
  - RCK** - Racked
 Minimum Quantity to Rack is 15.
- H** Select upholstery option. Refer to [ki.com/fabrics](http://ki.com/fabrics)

**SPECIAL SERVICES**

**Special Carton Marking**



With specially marked information N/C

**Shipping**

Ships **assembled, FOB Green Bay, WI 54302, freight prepaid.** Freight class 250.

Specifications and prices are subject to change without prior notice.



MODEL	Features	H	MODEL NUMBER							Approx. Packaged Weight	Delivered Pricing	Chrome Upcharge add to list price	
			Basic Model	Frame Color	Shell Color	Shroud Color	Glide Option	Caster Color	Package Code				
 <p><b>Glide Base</b></p> <ul style="list-style-type: none"> <li>Stacking</li> <li>Stacking shroud with tactile surfaces</li> <li>Non-directional seat design</li> <li>11 degrees of back articulation</li> <li>Comfort ledge on back supports arms</li> </ul>	Extra Small	12"	CG1100H12	<input type="checkbox"/>	<input type="checkbox"/>	<input type="checkbox"/>	<input type="checkbox"/>	<input type="checkbox"/>		CTN	11.00#	\$ 202	\$ 11
	Small	14"	CG1100H14	<input type="checkbox"/>	<input type="checkbox"/>	<input type="checkbox"/>	<input type="checkbox"/>	<input type="checkbox"/>		CTN	11.00#	204	11
	Medium	16"	CG1100H16	<input type="checkbox"/>	<input type="checkbox"/>	<input type="checkbox"/>	<input type="checkbox"/>	<input type="checkbox"/>		CTN	15.00#	207	11
	Large	18"	CG1100H18	<input type="checkbox"/>	<input type="checkbox"/>	<input type="checkbox"/>	<input type="checkbox"/>	<input type="checkbox"/>	<input type="checkbox"/>	<input type="checkbox"/>	22.00#	210	11
CG11	 <p><b>Caster Base</b></p> <ul style="list-style-type: none"> <li>Stacking</li> <li>Stacking shroud with tactile surfaces</li> <li>Non-directional seat design</li> <li>11 degrees of back articulation</li> <li>Comfort ledge on back supports arms</li> <li>Dual surface caster</li> </ul>	Small	14"	CG2100H14	<input type="checkbox"/>	<input type="checkbox"/>	<input type="checkbox"/>		<input type="checkbox"/>	CTN	11.00#	\$ 263	\$ 11
Medium		16"	CG2100H16	<input type="checkbox"/>	<input type="checkbox"/>	<input type="checkbox"/>		<input type="checkbox"/>	CTN	15.00#	266	11	
Large		18"	CG2100H18	<input type="checkbox"/>	<input type="checkbox"/>	<input type="checkbox"/>		<input type="checkbox"/>	CTN	22.00#	268	11	
CG21													

**A** **B** **C** **D** **E** **F** **G**

**HOW TO ORDER**

- Indicate the following information on order form:
- Quantity of each item.
  - Model number, including options. See "How To Build a Model Number".
  - Any special service required.

Note:

- The  indicates that a choice is required.
- The absence of the  indicates that no choice is required.
- Alpha-numeric characters in place of  indicate that no other alternatives are available.

**HOW TO BUILD A MODEL NUMBER**

- A** Select basic model.
- B** Select frame color. Refer to the **Product Color Options** page in this price list.
- C** Select shell color. Refer to the **Product Color Options** page in this price list.
- D** Select shroud color. Refer to the **Product Color Options** page in this price list.
- E** Select glide option.
  - GFT** - Felt glides
  - GPL** - Nylon plastic glides
  - GSL** - Steel glides
- F** Select caster color.
  - UCWG** - Dual surface casters, Warm Grey
  - UCBL** - Dual surface casters, Black

- G** Select packaging code.
  - CTN** - Cartoned
  - RCK** - Racked
 Minimum Quantity to Rack is 15.

**SPECIAL SERVICES**

**Special Carton Marking**



With specially marked information N/C

**Shipping**  
Ships **assembled, FOB Green Bay, WI 54302, freight prepaid.** Freight class 250.

Specifications and prices are subject to change without prior notice.





MODEL	H	MODEL NUMBER							Approx. Packaged Weight	Delivered Pricing	Chrome Upcharge add to list price	
		Basic Model	Frame Color	Shell Color	Shroud Color	Glide Option	Caster Color	Package Code				
 <p><b>Glide Base</b></p> <ul style="list-style-type: none"> <li>Stacking</li> <li>Stacking shroud with tactile surfaces</li> <li>Non-directional seat design</li> <li>11 degrees of back articulation</li> <li>Comfort ledge on back supports arms</li> </ul>	23-1/2"	CG4100H24	<input type="checkbox"/>	<input type="checkbox"/>	<input type="checkbox"/>	<input type="checkbox"/>	<input type="checkbox"/>	<input type="checkbox"/>	CTN	29.00#	\$ 329	\$ 15
	29-1/2"	CG4100H30	<input type="checkbox"/>	<input type="checkbox"/>	<input type="checkbox"/>	<input type="checkbox"/>	<input type="checkbox"/>	<input type="checkbox"/>	<input type="checkbox"/>	CTN	30.00#	340
 <p><b>Caster Base</b></p> <ul style="list-style-type: none"> <li>Stacking</li> <li>Stacking shroud with tactile surfaces</li> <li>Non-directional seat design</li> <li>11 degrees of back articulation</li> <li>Comfort ledge on back supports arms</li> <li>Dual surface caster</li> </ul>	23-1/2"	CGN100H24	<input type="checkbox"/>	<input type="checkbox"/>	<input type="checkbox"/>	<input type="checkbox"/>	<input type="checkbox"/>	<input type="checkbox"/>	CTN	29.00#	\$ 390	\$ 15
	29-1/2"	CGN100H30	<input type="checkbox"/>	<input type="checkbox"/>	<input type="checkbox"/>	<input type="checkbox"/>	<input type="checkbox"/>	<input type="checkbox"/>	<input type="checkbox"/>	CTN	30.00#	401

**A** **B** **C** **D** **E** **F** **G**

**HOW TO ORDER**

- Indicate the following information on order form:
- Quantity of each item.
  - Model number, including options. See "How To Build a Model Number".
  - Any special service required.

Note:

- The  indicates that a choice is required.
- The absence of the  indicates that no choice is required.
- Alpha-numeric characters in place of  indicate that no other alternatives are available.

**HOW TO BUILD A MODEL NUMBER**

- A** Select basic model.
- B** Select frame color. Refer to the **Product Color Options** page in this price list.
- C** Select shell color. Refer to the **Product Color Options** page in this price list.
- D** Select shroud color. Refer to the **Product Color Options** page in this price list.
- E** Select glide option.
  - GFT** - Felt glides
  - GPL** - Nylon plastic glides
  - GSL** - Steel glides
- F** Select caster color.
  - UCBL** - Dual surface casters, Black
  - UCWG** - Dual surface casters, Warm Grey

- G** Select packaging code.
  - CTN** - Cartoned

**SPECIAL SERVICES**

**Special Carton Marking**



With specially marked information N/C

**Shipping**

Ships assembled, FOB Green Bay, WI 54302, freight prepaid. Freight class 300.

Specifications and prices are subject to change without prior notice.



MODEL	H	MODEL NUMBER								Approx. Packaged Weight	Delivered Pricing C.O.M.	Delivered Pricing Fabric Grade 1	Delivered Pricing Fabric Grade 2	Delivered Pricing Fabric Grade 3 & Group 2V Vinyl	Delivered Pricing Pallas Fabric Group P0	Delivered Pricing Pallas Fabric Group P1	Delivered Pricing Pallas Fabric Group P2	Delivered Pricing Pallas Fabric Group P3	Delivered Pricing Pallas Fabric Group P4	Chrome Upcharge add to list price
		Basic Model	Frame Color	Shell Color	Shroud Color	Glide Option	Caster Color	Package Code	Uph. Color											
 <p><b>Upholstered Seat Glide Base</b></p> <ul style="list-style-type: none"> <li>Stacking</li> <li>Stacking shroud with tactile surfaces</li> <li>Non-directional seat design</li> <li>11 degrees of back articulation</li> <li>Comfort ledge on back supports arms</li> </ul>	24-1/4"	CG4200H24	<input type="checkbox"/>	<input type="checkbox"/>	<input type="checkbox"/>	<input type="checkbox"/>		CTN	<input type="checkbox"/>	31.00#	\$ 457	\$ 457	\$ 478	\$ 484	\$ 478	\$ 493	\$ 502	\$ 510	\$ 520	\$ 15
	30-1/4"	CG4200H30	<input type="checkbox"/>	<input type="checkbox"/>	<input type="checkbox"/>	<input type="checkbox"/>		CTN	<input type="checkbox"/>	32.00#	470	470	490	496	490	505	515	523	532	15
 <p><b>Upholstered Seat Caster Base</b></p> <ul style="list-style-type: none"> <li>Stacking</li> <li>Stacking shroud with tactile surfaces</li> <li>Non-directional seat design</li> <li>11 degrees of back articulation</li> <li>Comfort ledge on back supports arms</li> <li>Dual surface caster</li> </ul>	24-1/4"	CGN200H24	<input type="checkbox"/>	<input type="checkbox"/>	<input type="checkbox"/>		<input type="checkbox"/>	CTN	<input type="checkbox"/>	31.00#	\$ 519	\$ 519	\$ 539	\$ 546	\$ 539	\$ 554	\$ 564	\$ 572	\$ 581	\$ 15
	30-1/4"	CGN200H30	<input type="checkbox"/>	<input type="checkbox"/>	<input type="checkbox"/>		<input type="checkbox"/>	CTN	<input type="checkbox"/>	32.00#	531	531	551	557	551	567	576	584	593	15

**A** **B** **C** **D** **E** **F** **G** **H**

**HOW TO ORDER**

- Indicate the following information on order form:
- Quantity of each item.
  - Model number, including options. See "How To Build a Model Number".
  - Any special service required.

Note:

- The  indicates that a choice is required.
- The absence of the  indicates that no choice is required.
- Alpha-numeric characters in place of  indicate that no other alternatives are available.

**HOW TO BUILD A MODEL NUMBER**

- A** Select basic model.
- B** Select frame color. Refer to the **Product Color Options** page in this price list.
- C** Select shell color. Refer to the **Product Color Options** page in this price list.
- D** Select shroud color. Refer to the **Product Color Options** page in this price list.
- E** Select glide option.
  - GFT** - Felt glides
  - GPL** - Nylon plastic glides
  - GSL** - Steel glides
- F** Select caster color.
  - UCBL** - Dual surface casters, Black
  - UCWG** - Dual surface casters, Warm Grey

**G** Select packaging code.  
**CTN** - Cartoned

**H** Select upholstery option.  
Refer to [ki.com/fabrics](http://ki.com/fabrics)

**SPECIAL SERVICES**

**Special Carton Marking**




With specially marked information N/C

**Shipping**

Ships **assembled, FOB Green Bay, WI 54302, freight prepaid.** Freight class 300.

Specifications and prices are subject to change without prior notice.



MODEL	H	MODEL NUMBER				Approx. Packaged Weight	Delivered Pricing
		Basic Model	Shell Color	Shroud Color	Base Option		
 <b>Armless Task Chair</b> • Non-directional seat design • Comfort ledge on back supports arms • Dual surface caster	17" to 21-3/4"	CG5100	<input type="checkbox"/> <input type="checkbox"/>	<input type="checkbox"/> <input type="checkbox"/>	<input type="checkbox"/> <input type="checkbox"/>	30.00#	\$ 360
	CG51						
 <b>Mid Range Armless Task Stool</b> • Non-directional seat design • Comfort ledge on back supports arms • Dual surface caster	17-1/2 to 25"	CG6100M	<input type="checkbox"/> <input type="checkbox"/>	<input type="checkbox"/> <input type="checkbox"/>	<input type="checkbox"/> <input type="checkbox"/>	33.00#	\$ 420
	CG61						
 <b>Large Armless Task Stool</b> • Non-directional seat design • Comfort ledge on back supports arms • Dual surface caster	22-1/2" to 33"	CG6100	<input type="checkbox"/> <input type="checkbox"/>	<input type="checkbox"/> <input type="checkbox"/>	<input type="checkbox"/> <input type="checkbox"/>	34.00#	\$ 423
	CG61						

**A**   **B**   **C**   **D**

**HOW TO ORDER**

Indicate the following information on order form:

- Quantity of each item.
- Model number, including options. See "How To Build a Model Number".
- Any special service required.

Note:

- The  indicates that a choice is required.
- The absence of the  indicates that no choice is required.
- Alpha-numeric characters in place of  indicate that no other alternatives are available.

**HOW TO BUILD A MODEL NUMBER**

**A** Select basic model.

**B** Select shell color. Refer to the **Product Color Options** page in this price list.

**C** Select shroud color. Refer to the **Product Color Options** page in this price list.

**D** Select base option.

**GBG** - Bell glide (black only)

**UCBL** - Dual surface casters, Black

**SPECIAL SERVICES**

**Special Carton Marking**




With specially marked information    N/C

**Shipping**

Ships **knocked down**, **FOB Green Bay, WI 54302**, **freight prepaid**. Freight class 175

Specifications and prices are subject to change without prior notice.



MODEL	H	MODEL NUMBER					Approx. Packaged Weight	Delivered Pricing C.O.M.	Delivered Pricing Fabric Grade 1	Delivered Pricing Fabric Grade 2	Delivered Pricing Fabric Grade 3 & Group 2V Vinyl	Delivered Pricing Pallas Fabric Group P0	Delivered Pricing Pallas Fabric Group P1	Delivered Pricing Pallas Fabric Group P2	Delivered Pricing Pallas Fabric Group P3	Delivered Pricing Pallas Fabric Group P4
		Basic Model	Shell Color	Shroud Color	Base Option	Uph. Color										
 <b>Upholstered Seat Armless Task Chair</b> • Non-directional seat design • Comfort ledge on back supports arms • Dual surface caster	17-1/2" to 22-1/4"	CG5200	<input type="checkbox"/>	<input type="checkbox"/>	<input type="checkbox"/>	<input type="checkbox"/>	32.00#	\$ 486	\$ 486	\$ 506	\$ 513	\$ 506	\$ 522	\$ 531	\$ 539	\$ 548
	CG52															
 <b>Upholstered Seat Mid Range Armless Task Stool</b> • Non-directional seat design • Comfort ledge on back supports arms • Dual surface caster	18" to 25-1/2"	CG6200M	<input type="checkbox"/>	<input type="checkbox"/>	<input type="checkbox"/>	<input type="checkbox"/>	35.00#	\$ 547	\$ 547	\$ 568	\$ 574	\$ 568	\$ 583	\$ 592	\$ 600	\$ 609
	CG62															
 <b>Upholstered Seat Armless Task Stool</b> • Non-directional seat design • Comfort ledge on back supports arms • Dual surface caster	23" to 33-1/2"	CG6200	<input type="checkbox"/>	<input type="checkbox"/>	<input type="checkbox"/>	<input type="checkbox"/>	36.00#	\$ 549	\$ 549	\$ 570	\$ 576	\$ 570	\$ 585	\$ 594	\$ 602	\$ 611
	CG62															

**A**   **B**   **C**   **D**   **E**

**HOW TO ORDER**

Indicate the following information on order form:

- Quantity of each item.
- Model number, including options. See "How To Build a Model Number".
- Any special service required.

Note:

- The  indicates that a choice is required.
- The absence of the  indicates that no choice is required.
- Alpha-numeric characters in place of  indicate that no other alternatives are available.

**HOW TO BUILD A MODEL NUMBER**

**A** Select basic model.

**B** Select shell color.  
Refer to the **Product Color Options** page in this price list.

**C** Select shroud color.  
Refer to the **Product Color Options** page in this price list.

**D** Select base option.  
**GBG** - Bell glide (black only)  
**UCBL** - Dual surface casters, Black

**E** Select upholstery option.  
Refer to [ki.com/fabrics](http://ki.com/fabrics)

**SPECIAL SERVICES**

**Special Carton Marking**  
With specially marked information    N/C

**Shipping**  
Ships **knocked down, FOB Green Bay, WI 54302, freight prepaid.** Freight class 175

Specifications and prices are subject to change without prior notice.



MODEL	MODEL NUMBER	Approx. Packaged Weight	Delivered Pricing
	Basic Model		
CGAD	<b>18”H Cantilever Chair Dolly, Black</b>	32.00#	\$ 510
	<ul style="list-style-type: none"> <li>Dolly is black only</li> <li>Not compatible with smaller Cogni chair sizes</li> <li>Stack quantity is (6) chairs</li> <li>Integral handle is included</li> </ul>		
	CGADCD		
CGAD	<b>18”H 4-Leg Chair Dolly</b>	32.00#	\$ 510
	<ul style="list-style-type: none"> <li>Dolly is black only</li> <li>Not compatible with smaller Cogni chair sizes</li> <li>Stack quantity is (6) chairs</li> <li>Integral handle is included</li> </ul>		
	CGADLD		

**A**

**HOW TO ORDER**

- Indicate the following information on order form:
- Quantity of each item.
  - Model number, including options. See “How To Build a Model Number”.
  - Any special service required.

- Note:
- The  indicates that a choice is required.
  - The absence of the  indicates that no choice is required.
  - Alpha-numeric characters in place of  indicate that no other alternatives are available.

**HOW TO BUILD A MODEL NUMBER**

- A** Select basic model.

**SPECIAL SERVICES**

**Special Carton Marking**

With specially marked information N/C

**Shipping**

Ships **assembled, FOB Green Bay, WI 54302, freight prepaid.** Freight class 175.

Specifications and prices are subject to change without prior notice.



1330 BELLEVUE STREET  
GREEN BAY, WI 54302  
800.424.2432 / KI.COM

KI is a trusted expert for furniture and wall systems around the globe.  
USA | CANADA | MEXICO | UK | EUROPE | ASIA | MIDDLE EAST  
© 2026 Krueger International, Inc. All Rights Reserved.