



# DONI<sup>®</sup> SEATING

---

## PRICE LIST

EFFECTIVE APRIL 2, 2026  
800.424.2432




---

<b>Ordering Customer's Own Material (C.O.M.) Upholstery</b>	
Information	3

---

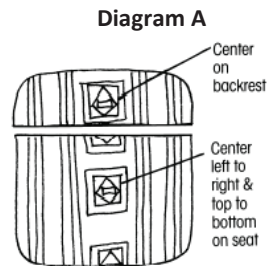
<b>Doni®</b>	
Guest Chair General Information	4
Guest Chair Technical Specifications	5
Guest Chair Color Options	6
Guest Chairs	7
Stack Chair General Information	11
Stack Chair Technical Specifications	?
Stack Chair Color Options	16
Stack Chairs	17
Cafe Stools	30
Task Chair General Information	33
Task Chair Technical Specifications	?
Task Chair Color Options	36
Task Chairs	37
Task Stools	39
Tandem Seating General Information	42
Tandem Seating Color Options	43
Tandem Seating	44



### How to Specify

As a standard procedure, KI applies seating upholstery as swatched by the textile distributor. Reference distributor's website. Upholstery that is required to be applied differently than is swatched, will need a Product Modification Request written specifying the direction the upholstery is to be applied.

Seating upholstery requiring specific positioning of intricate patterns or patterns repeats on seats and backrests, will need a Product Modification Request written including a sketch noting the specific requirements, as in Diagram A.



When directional or patterned fabrics are used, they often require more yardage than solid colors.

C.O.M. must be supplied in continuous yardage.

C.O.M. yardage requirements accompanying products in the pricing section are for 10 chairs/seats or less, 54" wide nondirectional material. On larger orders, less material is required.

Leather hides must be a minimum of 50 square feet of usable material. The outer edges cannot be calculated as square feet or yardage. To determine square footage, multiply unit yardage by 18 square feet to obtain the total square footage required per unit.

For exact production yardage requirements, call 1-800-424-2432, ext. 2707.

### Production

Customer's upholstery must be approved prior to acceptance for production.

C.O.M. not received into the appropriate facility 3 weeks prior to acknowledged delivery date may go on hold. See KI C.O.M. Shipping Location listing for the correct facility address by product.

### Testing

When KI requires testing, actual yardage to upholster one chair may be required. The C.O.M. Specialist will confirm model and fabric testing requirements when applicable.

Approved test samples will be applied to the order or will be held for 6 months. After 6 months, the sample will no longer be applied to your order. For all product testing, send fabric samples to the manufacturing facility. See KI C.O.M. Shipping Location listing for the correct facility address by product.

All C.O.M. must be labeled with the KI product order number and customer purchase order number.

### Treated Materials

If C.O.M. requires processing such as a stain resistance treatment or acrylic backing, it may shrink. To prevent delays in delivery or back ordering due to shrinkage, please have your processor verify measurement after processing and assure adequate yardage shipped.

### Split Orders

If a portion of the shipment which does not require C.O.M. application is to be processed and shipped early, KI will enter the order immediately at your request. These split shipments are subject to minimum order changes.

### Excess Upholstery Material

KI will dispose of excess upholstery material at the time of shipment unless expressly requested to return it with the product shipment.

### Cancelled or Changed Orders

KI assumes no responsibility for extra C.O.M. due to a change of upholstery or cancellation of an order. If it the customer's responsibility to arrange for return of the material.

Contact the C.O.M. Specialist at 1-800-424-2432, ext. 2707, with questions or to request a split order.

### C.O.M. SHIPPING LOCATION

<b>Architectural Walls</b> Evoke..... MN Genius..... MN  <b>Casegoods</b> Aristotle.....MN Likha.....MN  <b>Classroom Furniture</b> Cogni ..... GB Intellect Wave .....GB Learn2.....GB Ruckus..... GB  <b>Desking</b> 700 Series .....KP Balance ..... MN Genesis ..... MN True .....KP Universal ..... MN WorkZone ..... MN  <b>Files &amp; Storage</b> 700 Series..... GB Connection.....BW U-Series..... GB Tattoo.....BW  <b>Fixed Seating</b> Concerto.....BW Single Pedestal ..... GB Jury Base ..... GB Lancaster.....BW Sequence ..... GB University ..... GB	<b>Panel Systems</b> All Terrain..... KP Balance ..... MN Universal ..... MN Wireworks ..... MN Unite..... MN  <b>Residence Hall Furniture</b> RoomScape..... MN  <b>Screens</b> All Terrain..... KP Connection Zone.....BW Tributaire.....BW True/Volition ..... KP Genesis.....KP Tattoo..... MN Universal.....BW  <b>Seating</b> 600 Series.....BW Affina ..... HN Altus ..... GB Apply ..... GB Calida ..... HN Cascha ..... VT Civara ..... VT Clamber ..... HN Cogni ..... GB Diem ..... OM Doni ..... GB Gladly .....VQ Grazie ..... GB Hub ..... HN Impress ..... OM	Impress Ultra ..... OM Intellect Wave ..... GB Jessa ..... HN Jubilee .....VQ Katera..... GB Kurv Benches..... HN Learn2..... GB LimeLite..... GB Lyra ..... HN Medical & Laboratory Stools..... OM MyPlace ..... HN MyWay ..... HN Oath ..... GB Opt4 ..... GB Pilot ..... OM Promenade .....BW Ruckus..... GB Sela ..... HN Sift ..... GB Signia..... OM Soltice Metal ..... HN Soltice..... HN Sonrisa ..... HN Strive..... GB Sway ..... BW Tattoo..... HN Torsion-on-the-Go! ..... GB Torsion Air ..... GB Zeker ..... HN Zentori ..... VT Zoetry ..... HN
--	--	---

### KI C.O.M. Manufacturing Site Addresses:

<b>BW</b> KI Bonduel Attn: COM Storage 204 West South St. Bonduel, WI 54107	<b>HN</b> KI High Point Attn: COM Storage 217 Feld Avenue High Point, NC 27263	<b>MN</b> KI Manitowoc Attn: COM Storage 1400 S. 41st St. Manitowoc, WI 54220	<b>VQ</b> KI Attn: COM Fabrics 6892 Marlin Circle La Palma, CA 90623
<b>GB</b> KI Green Bay Attn: COM Storage 1687 Westminster Drive - Gate 3 Green Bay, WI 54302	<b>KP</b> KI Pembroke Attn: COM Storage 1000 Olympic Dr. Pembroke, Ontario K8A6X7	<b>OM</b> KI Attn: COM Storage 1110 S. Mildred Ave. Ontario, CA 91761	<b>VT</b> KI Attn: COM Storage 2803 South Taylor Drive Sheboygan, WI 53081



Armless Fourstar Swivel Base Chair



Armless Tapered Steel Leg Chair



Armless Tapered Wood Leg Chair



Armless Wire Tower Base Chair

Features				
Poly, upholstered seat, or upholstered seat/back	•	•	•	•
General Dimensions				
Seat width	19-1/4"	19-1/4"	19-1/4"	19-1/4"
Seat depth	18-3/4"	18-3/4"	18-3/4"	18-3/4"
Seat height (upholstered add 1")	18"	18"	18"	18"
Overall Dimensions				
Width	27-1/2"	19-3/8"	19-3/8"	19-3/8"
Depth	21"	21"	21"	21"
Height	33-3/4"	33-3/4"	33-3/4"	33-3/4"

## INFORMATION

### C.O.M. Testing and Production Requirements

Not all materials are suitable for upholstering this product. A 1 yd. x 54" sample must be submitted and approved prior to acceptance of an order. If the fabric is directional in pattern or weave, the direction must be indicated on the submitted sample, and additional yardage may be requested.

Test samples must be sent to:

KI  
Attn: C.O.M. Specialist  
1687 Westminster Drive - Gate 3  
Green Bay, WI 54302

### Design

Designed by Giancarlo Piretti and manufactured in the USA by Krueger International, Inc. under license from Pro-Cord S.p.A

### KI Color Match Program

KI offers the additional option of color matching paint, polypropylene, or wood stain through Product Modification Requests. Contact Customer Service for details.

Whatever you imagine, whatever you require, KI's Color Match program lets you pick your color!

### Color Match Process - Poly Seating Information can be found here.

### Stacking Vinyl, Polyurethane, and Imitation Leather Upholstered Chairs

If stacking frequently and for long periods of time, it is recommended that upholstery other than vinyl, polyurethane or imitation leather be used to avoid impressions in the seat cushion. KI does not warrant the effects of stacking on stock or COM vinyl, polyurethane or imitation leather upholstery.

## INFORMATION

### Warranty

Refer to KI Terms & Conditions document or visit [ki.com](http://ki.com)

### Seat Shell and Backrest Articulation Mechanism

The backrest and seat are injection-molded polypropylene. The seat and backrest are joined by a pair of hidden articulation mechanisms, each consisting of a 14-gauge steel housing, twin 7-gauge levers and steel coil springs. While maintaining a one-piece shell appearance, this mechanism allows the backrest to recline up to 17 degrees of motion.

### Optional Upholstered Seat and Back

Urethane foam is attached to an injection-molded polypropylene liner board, then upholstered using a draw-string process. Seat foam is molded nominal 1" thickness, and back foam is nominal 1/2" thickness. The flush-head fasteners that attach the back pad are color-matched to the polypropylene.

### Wire Tower Base

A seat ring is made of 1/2" diameter steel wire and attached to the seat with 14-gauge steel brackets. Legs are 7/16" diameter steel wire, fully gusseted with 5/16" diameter wire. All joints are welded and frames are finished in bright nickel-chrome plating.

### Wood Leg Base

The seat plate is die-cast aluminum, finished with baked-on electrostatically-applied epoxy powder-coat paint. Legs are turned from Beech, stained, and clear-coat finished. A steel insert with tapped end is inserted and pinned in each leg, then each leg assembly is attached to the seat plate with one 1/4-20 screw. X-brace is made of two zinc plated steel cable assemblies that attach to the legs with #10-24 screws.

### Tapered Steel Leg Base

A seat ring is made of 1/2" diameter steel wire and attached to the seat with 14-gauge steel brackets. Inner leg wires are made of 1/2" diameter steel wire and are plug welded to tapered tubular legs. All joints are welded and the frames are finished in either baked-on electrostatically-applied epoxy powder-coat paint or bright nickel-chrome plating.

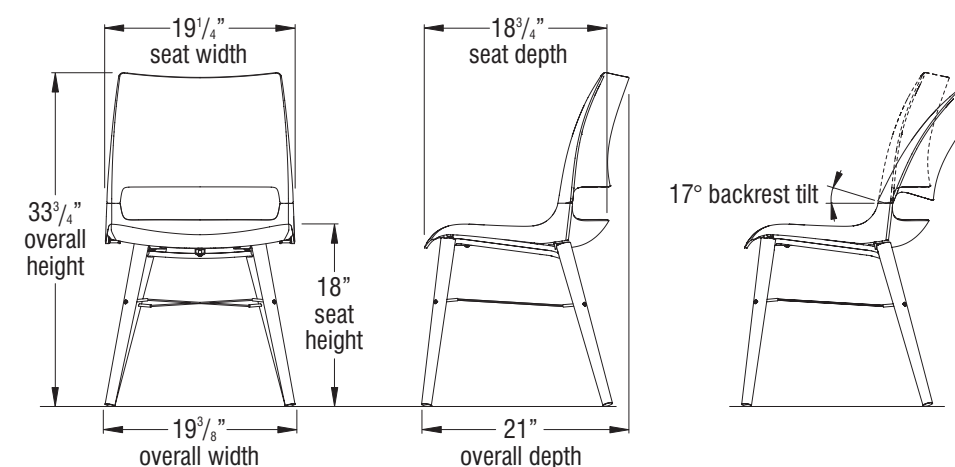
### Fourstar Swivel Base

The under-seat support structure is a die-drawn 12-gauge steel plate. A 3/4" diameter steel pin is welded to the seat plate, allowing the seat to swivel on a nylon bushing housed in the base. Seat structure is finished with baked-on electrostatically-applied epoxy powder-coat paint. The fixed-height base is constructed of a polished die-cast aluminum fourstar base and a chrome-plated steel tube column.

### Glides

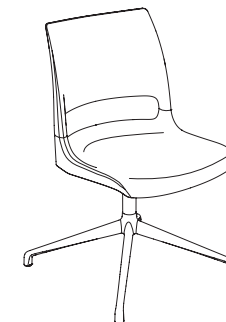
The tapered steel legs and wood legs are equipped with swivel glides in a bright steel finish. The floor contact surface on the tapered steel leg is steel, and on the wood legs is natural nylon. The wire tower base can be equipped with black nylon or felt glides. Fourstar swivel base is equipped with black nylon glides only.

### DIMENSIONS

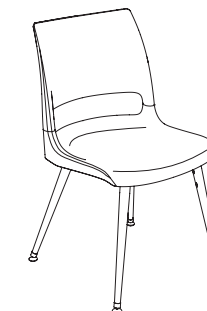


### STATEMENT OF LINE

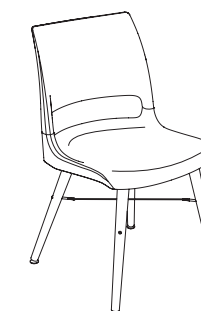
All models are available in polypropylene seat/backrest, upholstered seat/ polypropylene backrest, or upholstered seat/backrest.



DNX100



DNY100



DNW100



DNZ100

### Tapered Steel Leg Color

Black	BL	Flannel	PFN	Outside Surfs Up/Inside Cottonwood	OSP/ICO
Blue Grey	GR	Hazy Jade	PHJ	Outside Surfs Up/Inside Light Tone	OSP/ILG
Bronze Metallic	ZM	Honey Bee	PHY	Outside Surfs Up/Inside Warm Grey	OSP/IWG
Cayenne	CY	Light Tone	PLG	Outside Tarragon/Inside Cool Grey	OTQ/ICG
Champagne Metallic	CM	Misty Brown	PMY	Outside Tarragon/Inside Cottonwood	OTQ/ICO
Chrome	CH	Nemo	PNE	Outside Tarragon/Inside Light Tone	OTQ/ILG
Cool Grey	CG	Nordic	PND	Outside Tarragon/Inside Warm Grey	OTQ/IWG
Cottonwood	CO	Purple Haze	PPH	Outside Twilight Shadow/Inside Cool Grey	OTI/ICG
Earthen Clay	EY	Rainforest	PRQ	Outside Twilight Shadow/Inside Cottonwood	OTI/ICO
Espresso Metallic	EX	Raw Jasper	PRJ	Outside Twilight Shadow/Inside Light Tone	OTI/ILG
Everglade Shade	EV	Surf's Up	PSP	Outside Twilight Shadow/Inside Warm Grey	OTI/IWG
Flannel	FN	Tarragon	PTQ	Outside Ultra Blue/inside Cottonwood	OUB/ICO
Glitz Metallic	GZ	Twilight Shadow	PTI	Outside Ultra Blue/Inside Warm Grey	OUB/IWG
Hazy Jade	HJ	Ultra Blue	PUB	Outside Warm Grey/Inside Cottonwood	OWG/ICO
Honey Bee	HY	Warm Grey	PWG	Outside Zesty Lime/inside Cottonwood	OZL/ICO
Light Tone	LG	Zesty Lime	PZL		

### TWO-TONE COLOR Seat and Back - Polypropylene

#### Outside/Inside

Nemo	NE	Outside Black/Inside Cool Grey	OBL/ICG
Nordic	ND	Outside Black/inside Cottonwood	OBL/ICO
Poppy Red	PR	Outside Black/Inside Light Tone	OBL/ILG
Purple Haze	PH	Outside Black/Inside Warm Grey	OBL/IWG
Rainforest	RQ	Outside Blue Grey/inside Cool Grey	OGR/ICG
Raw Jasper	RJ	Outside Blue Grey/inside Cottonwood	OGR/ICO
Rubber Ducky	RK	Outside Cayenne/Inside Cool Grey	OCY/ICG
Sky Blue	SK	Outside Cayenne/Inside Cottonwood	OCY/ICO
Starlight Silver Metallic	SX	Outside Cayenne/Inside Light Tone	OCY/ILG
Surf's Up	SP	Outside Cayenne/Inside Warm Grey	OCY/IWG
Tarragon	TQ	Outside Cool Grey/inside Cottonwood	OCG/ICO
Twilight Shadow	TI	Outside Everglade Shade/Inside Cool Grey	OEV/ICG
Ultra Blue	UB	Outside Everglade Shade/Inside Cottonwood	OEV/ICO
Warm Grey	WG	Outside Everglade Shade/Inside Light Tone	OEV/ILG
Zesty Lime	ZL	Outside Everglade Shade/Inside Warm Grey	OEV/IWG
		Outside Flannel/Inside Cool Grey	OFN/ICG
		Outside Flannel/Inside Cottonwood	OFN/ICO
		Outside Flannel/Inside Light Tone	OFN/ILG
		Outside Flannel/inside Warm Grey	OFN/IWG
		Outside Misty Brown/inside Cottonwood	OMY/ICO
		Outside Misty Brown/Inside Light Tone	OMY/ILG
		Outside Nordic/inside Cool Grey	OND/ICG
		Outside Nordic/Inside Cottonwood	OND/ICO
		Outside Nordic/Inside Light Tone	OND/ILG
		Outside Nordic/Inside Warm Grey	OND/IWG
		Outside Purple Haze/Inside Cool Grey	OPH/ICG
		Outside Purple Haze/Inside Cottonwood	OPH/ICO
		Outside Purple Haze/Inside Light Tone	OPH/ILG
		Outside Purple Haze/Inside Warm Grey	OPH/IWG
		Outside Rainforest/Inside Cool Grey	ORQ/ICG
		Outside Rainforest/Inside Cottonwood	ORQ/ICO
		Outside Rainforest/Inside Light Tone	ORQ/ILG
		Outside Rainforest/Inside Warm Grey	ORQ/IWG
		Outside Raw Jasper/Inside Cool Grey	ORJ/ICG
		Outside Raw Jasper/Inside Cottonwood	ORJ/ICO
		Outside Raw Jasper/Inside Light Tone	ORJ/ILG
		Outside Raw Jasper/Inside Warm Grey	ORJ/IWG
		Outside Surf's Up/inside Cool Grey	OSP/ICG

### Wood Leg Model Finish

Cherry Storm on Beech	BCX
Cinnamon on Beech	BCN
Cocoa on Beech	BCA
Eclipse Black on Beech	BEB
Florence Walnut on Beech	BFC
Monticello Maple on Beech	BMT
Natural on Beech	BNA
River Cherry on Beech	BRY

### Fourstar Swivel Base Color

Polished Aluminum	PA
-------------------	----

### Wire Tower Base Color

Chrome	CH
--------	----

### SOLID COLOR Seat and Back Polypropylene

Black	PBL
Blue Grey	PGR
Cayenne	PCY
Cool Grey	PCG
Cottonwood	PCO
Earthen Clay	PEY
Everglade Shade	PEV

## Finish Cards

View color swatches for items listed within this document.

#### Paints

#### Plastics/Poly

#### Wood/Veneer

#### Laminates

#### Molded Edges


#### Edge Styles

#### Hard Plastics

#### Glass

Certain options referenced may not be available on GSA Schedule.



MODEL	Features	MODEL NUMBER					Approx. Packaged Weight	Delivered Pricing Unupholstered	Delivered Pricing Fabric Grade 1 & C.O.M.	Delivered Pricing Fabric Grade 2	Delivered Pricing Fabric Grade 3	Delivered Pricing Vinyl Group 2V	Delivered Pricing Pallas Fabric Group P0	Delivered Pricing Pallas Fabric Group P1	Delivered Pricing Pallas Fabric Group P2	Delivered Pricing Pallas Fabric Group P3	Delivered Pricing Pallas Fabric Group P4
		Basic Model	Poly Solid Color	Poly Outside/Inside Color	Glide Option	Upholstery Color											
 <p><b>Fourstar Swivel Base Armless Chair</b></p> <ul style="list-style-type: none"> <li>• Solid or two-tone colored shell</li> <li>• Base available in polished aluminum only</li> <li>• Unlimited color match</li> <li>• 17 degrees of hip articulation</li> <li>• Task and stack chair models available</li> <li>• 400 pound approved</li> </ul>	Solid Color, Polypropylene	DNX100	<input type="checkbox"/> <input type="checkbox"/> <input type="checkbox"/>		GPL	22.00#	\$ 675										
	Solid Color, Upholstered Seat	DNX200	<input type="checkbox"/> <input type="checkbox"/> <input type="checkbox"/>		GPL	24.50#	N/A	824	835	855	855	868	916	937	963	997	
	Solid Color, Upholstered Seat/Back	DNX300	<input type="checkbox"/> <input type="checkbox"/> <input type="checkbox"/>		GPL	26.00#	N/A	857	870	889	889	901	953	971	996	1034	
	Two-Tone, Polypropylene	DNXA00		<input type="checkbox"/> <input type="checkbox"/> <input type="checkbox"/> <input type="checkbox"/> <input type="checkbox"/> <input type="checkbox"/>	GPL	22.00#	745										
	Two-Tone, Upholstered Seat	DNXB00		<input type="checkbox"/> <input type="checkbox"/> <input type="checkbox"/> <input type="checkbox"/> <input type="checkbox"/> <input type="checkbox"/>	GPL	24.50#	N/A	893	907	925	925	937	988	1008	1032	1069	

- DNX1
- DNX2
- DNX3
- DNXA
- DNXB

**HOW TO ORDER**

Indicate the following information on order form:  
 1. Quantity of each item.  
 2. Model number, including options. See "How To Build a Model Number".  
 3. Any special service required.

Note:

- The  indicates that a choice is required.
- The absence of the  indicates that no choice is required.
- Alpha-numeric characters in place of  indicate that no other alternatives are available.

**HOW TO BUILD A MODEL NUMBER**

- A** Select basic model.
- B** Select solid poly color. Refer to the **Product Color Options** page in this price list.
- C** Select outside/inside poly color. Refer to the **Product Color Options** page in this price list.
- D** Select glide option.  
**GPL** - Plastic glides
- E** Select upholstery grade/color. Refer to [ki.com/fabrics](http://ki.com/fabrics)

**UPHOLSTERY INFORMATION**

**COM. Upholstery**  
 COM. requirement for 10 chairs or less with upholstered seat or upholstered seat and back is 3/4 yard per chair of 54" wide nondirectional fabric. For orders of 11 or more with upholstered seat and back and for complete information on ordering C.O.M. see "Ordering Customer's Own Material (C.O.M) Upholstery." section.


**SPECIAL SERVICES**

**Special Carton Marking**  
 With specially marked information N/C

**Shipping**  
 Ships **assembled, FOB Green Bay, WI 54302, freight prepaid.** Freight class 125.

Specifications and prices are subject to change without prior notice.



MODEL	Features	MODEL NUMBER						Approx. Packaged Weight	Delivered Pricing Unupholstered	Delivered Pricing Fabric Grade 1 & C.O.M.	Delivered Pricing Fabric Grade 2	Delivered Pricing Fabric Grade 3	Delivered Pricing Vinyl Group 2V	Delivered Pricing Pallas Fabric Group P0	Delivered Pricing Pallas Fabric Group P1	Delivered Pricing Pallas Fabric Group P2	Delivered Pricing Pallas Fabric Group P3	Delivered Pricing Pallas Fabric Group P4
		Basic Model	Poly Solid Color	Poly Outside/Inside Color	Frame Color	Glide Option	Upholstery Color											
 <p><b>Tapered Steel Leg Armless Chair</b></p> <ul style="list-style-type: none"> <li>• Solid or two-tone colored shell</li> <li>• Unlimited color match</li> <li>• 17 degrees of hip articulation</li> <li>• Task and stack chair models available</li> <li>• 400 pound approved</li> </ul>	Solid Color, Polypropylene	DNY100	<input type="checkbox"/> <input type="checkbox"/> <input type="checkbox"/>		<input type="checkbox"/> <input type="checkbox"/>	<input type="checkbox"/> <input type="checkbox"/> <input type="checkbox"/>	22.50#	\$ 507										
	Solid Color, Upholstered Seat	DNY200	<input type="checkbox"/> <input type="checkbox"/> <input type="checkbox"/>		<input type="checkbox"/> <input type="checkbox"/>	<input type="checkbox"/> <input type="checkbox"/> <input type="checkbox"/> <input type="checkbox"/> <input type="checkbox"/>	25.00#	N/A	654	667	686	686	699	750	769	793	830	
	Solid Color, Upholstered Seat/Back	DNY300	<input type="checkbox"/> <input type="checkbox"/> <input type="checkbox"/>		<input type="checkbox"/> <input type="checkbox"/>	<input type="checkbox"/> <input type="checkbox"/> <input type="checkbox"/> <input type="checkbox"/> <input type="checkbox"/>	26.50#	N/A	688	701	722	722	733	784	803	829	867	
	Two-Tone, Polypropylene	DNYA00		<input type="checkbox"/> <input type="checkbox"/> <input type="checkbox"/> <input type="checkbox"/> <input type="checkbox"/> <input type="checkbox"/>	<input type="checkbox"/> <input type="checkbox"/>	<input type="checkbox"/> <input type="checkbox"/> <input type="checkbox"/> <input type="checkbox"/> <input type="checkbox"/>	22.50#	575										
	Two-Tone, Upholstered Seat	DNYB00		<input type="checkbox"/> <input type="checkbox"/> <input type="checkbox"/> <input type="checkbox"/> <input type="checkbox"/> <input type="checkbox"/>	<input type="checkbox"/> <input type="checkbox"/>	<input type="checkbox"/> <input type="checkbox"/> <input type="checkbox"/> <input type="checkbox"/> <input type="checkbox"/>	25.00#	N/A	724	736	757	757	769	817	839	865	900	

DNY1  
DNY2  
DNY3  
DNYA  
DNYB

**HOW TO ORDER**

- Indicate the following information on order form:
1. Quantity of each item.
  2. Model number, including options. See "How To Build a Model Number".
  3. Any special service required.

Note:

- The  indicates that a choice is required.
- The absence of the  indicates that no choice is required.
- Alpha-numeric characters in place of  indicate that no other alternatives are available.

**HOW TO BUILD A MODEL NUMBER**

- A** Select basic model.
- B** Select solid poly color.  
Refer to the **Product Color Options** page in this price list.
- C** Select outside/inside poly color.  
Refer to the **Product Color Options** page in this price list.
- D** Select frame color.  
Refer to the **Product Color Options** page in this price list.
- E** Select glide option.
 

<b>GFT</b>	- Felt glides
<b>GNL</b>	- Plastic/nylon glides
<b>GSL</b>	- Steel glides
- F** Select upholstery grade/color.  
Refer to [ki.com/fabrics](http://ki.com/fabrics)

**UPHOLSTERY INFORMATION**

**COM. Upholstery**  
COM. requirement for 10 chairs or less with upholstered seat or upholstered seat and back is 3/4 yard per chair of 54" wide nondirectional fabric. For orders of 11 or more with upholstered seat and back and for complete information on ordering C.O.M. see "Ordering Customer's Own Material (C.O.M) Upholstery." section.


**SPECIAL SERVICES**

**Special Carton Marking**  
With specially marked information N/C

**Shipping**  
Ships **assembled, FOB Green Bay, WI 54302, freight prepaid.** Freight class 125.

Specifications and prices are subject to change without prior notice.



MODEL	Features	MODEL NUMBER						Approx. Packaged Weight	Delivered Pricing Unupholstered	Delivered Pricing Fabric Grade 1 & C.O.M.	Delivered Pricing Fabric Grade 2	Delivered Pricing Fabric Grade 3	Delivered Pricing Vinyl Group 2V	Delivered Pricing Pallas Fabric Group P0	Delivered Pricing Pallas Fabric Group P1	Delivered Pricing Pallas Fabric Group P2	Delivered Pricing Pallas Fabric Group P3	Delivered Pricing Pallas Fabric Group P4
		Basic Model	Poly Solid Color	Poly Outside/Inside Color	Wood Leg Finish	Glide Option	Upholstery Color											
	<b>Tapered Wood Leg Armless Chair</b> • Solid or two-tone colored shell • Wood legs available in 8 finishes • Unlimited color match • 17 degrees of hip articulation • Task and stack chair models available • 300 pound approved	Solid Color, Polypropylene	DNW100	<input type="checkbox"/> <input type="checkbox"/> <input type="checkbox"/>		<input type="checkbox"/> <input type="checkbox"/> <input type="checkbox"/>	GPL											
	Solid Color, Upholstered Seat	DNW200	<input type="checkbox"/> <input type="checkbox"/> <input type="checkbox"/>		<input type="checkbox"/> <input type="checkbox"/> <input type="checkbox"/>	GPL	<input type="checkbox"/> <input type="checkbox"/> <input type="checkbox"/> <input type="checkbox"/>	20.50#	N/A	970	982	1003	1003	1013	1065	1085	1110	1146
	Solid Color, Upholstered Seat/Back	DNW300	<input type="checkbox"/> <input type="checkbox"/> <input type="checkbox"/>		<input type="checkbox"/> <input type="checkbox"/> <input type="checkbox"/>	GPL	<input type="checkbox"/> <input type="checkbox"/> <input type="checkbox"/> <input type="checkbox"/>	22.00#	N/A	1007	1016	1039	1039	1049	1099	1120	1145	1181
	Two-Tone, Polypropylene	DNWA00		<input type="checkbox"/> <input type="checkbox"/> <input type="checkbox"/> <input type="checkbox"/> <input type="checkbox"/> <input type="checkbox"/>	<input type="checkbox"/> <input type="checkbox"/> <input type="checkbox"/>	GPL		18.00#	892									
	Two-Tone, Upholstered Seat	DNWB00		<input type="checkbox"/> <input type="checkbox"/> <input type="checkbox"/> <input type="checkbox"/> <input type="checkbox"/> <input type="checkbox"/>	<input type="checkbox"/> <input type="checkbox"/> <input type="checkbox"/>	GPL	<input type="checkbox"/> <input type="checkbox"/> <input type="checkbox"/> <input type="checkbox"/>	20.50#	N/A	1041	1051	1073	1073	1085	1134	1155	1179	1216

DNW1  
DNW2  
DNW3  
DNWA  
DNWB

**HOW TO ORDER**

- Indicate the following information on order form:
- Quantity of each item.
  - Model number, including options. See "How To Build a Model Number".
  - Any special service required.

Note:

- The  indicates that a choice is required.
- The absence of the  indicates that no choice is required.
- Alpha-numeric characters in place of  indicate that no other alternatives are available.

**HOW TO BUILD A MODEL NUMBER**

- A** Select basic model.
- B** Select solid poly color.  
Refer to the **Product Color Options** page in this price list.
- C** Select outside/inside poly color.  
Refer to the **Product Color Options** page in this price list.
- D** Select wood leg finish color.  
Refer to the **Product Color Options** page in this price list.
- E** Select glide option.  
**GPL** - Plastic glides
- F** Select upholstery grade/color.  
Refer to [ki.com/fabrics](http://ki.com/fabrics)

**UPHOLSTERY INFORMATION**

**COM. Upholstery**  
COM. requirement for 10 chairs or less with upholstered seat or upholstered seat and back is 3/4 yard per chair of 54" wide nondirectional fabric. For orders of 11 or more with upholstered seat and back and for complete information on ordering C.O.M. see "Ordering Customer's Own Material (C.O.M) Upholstery." section.


**SPECIAL SERVICES**

**Special Carton Marking**  
With specially marked information N/C

**Shipping**  
Ships **assembled, FOB Green Bay, WI 54302, freight prepaid.** Freight class 125.

Specifications and prices are subject to change without prior notice.



MODEL	Features	MODEL NUMBER					Approx. Packaged Weight	Delivered Pricing Unupholstered	Delivered Pricing Fabric Grade 1 & C.O.M.	Delivered Pricing Fabric Grade 2	Delivered Pricing Fabric Grade 3	Delivered Pricing Vinyl Group 2V	Delivered Pricing Pallas Fabric Group P0	Delivered Pricing Pallas Fabric Group P1	Delivered Pricing Pallas Fabric Group P2	Delivered Pricing Pallas Fabric Group P3	Delivered Pricing Pallas Fabric Group P4
		Basic Model	Poly Solid Color	Poly Outside/Inside Color	Glide Option	Upholstery Color											
 <p><b>Wire Tower Base Armless Chair</b></p> <ul style="list-style-type: none"> <li>• Solid or two-tone colored shell</li> <li>• Chrome base</li> <li>• Unlimited color match</li> <li>• 17 degrees of hip articulation</li> <li>• Frames finished in bright nickel-chrome plating</li> <li>• Task and stack chair models available</li> <li>• 400 pound approved</li> </ul>	Solid Color, Polypropylene	DNZ100	<input type="checkbox"/> <input type="checkbox"/> <input type="checkbox"/>		<input type="checkbox"/> <input type="checkbox"/> <input type="checkbox"/>	17.50#	\$ 437										
	Solid Color, Upholstered Seat	DNZ200	<input type="checkbox"/> <input type="checkbox"/> <input type="checkbox"/>		<input type="checkbox"/> <input type="checkbox"/> <input type="checkbox"/> <input type="checkbox"/> <input type="checkbox"/>	20.00#	N/A	584	597	617	617	629	679	699	723	759	
	Solid Color, Upholstered Seat/ Back	DNZ300	<input type="checkbox"/> <input type="checkbox"/> <input type="checkbox"/>		<input type="checkbox"/> <input type="checkbox"/> <input type="checkbox"/> <input type="checkbox"/> <input type="checkbox"/>	21.50#	N/A	619	631	651	651	664	714	733	758	795	
	Two-Tone, Polypropylene	DNZA00		<input type="checkbox"/> <input type="checkbox"/> <input type="checkbox"/> <input type="checkbox"/> <input type="checkbox"/> <input type="checkbox"/>	<input type="checkbox"/> <input type="checkbox"/> <input type="checkbox"/>	17.50#	507										
	Two-Tone, Upholstered Seat	DNZB00		<input type="checkbox"/> <input type="checkbox"/> <input type="checkbox"/> <input type="checkbox"/> <input type="checkbox"/> <input type="checkbox"/>	<input type="checkbox"/> <input type="checkbox"/> <input type="checkbox"/> <input type="checkbox"/> <input type="checkbox"/>	20.00#	N/A	654	667	686	686	699	750	769	793	830	

DNZ1  
DNZ2  
DNZ3  
DNZA  
DNZB

**A** **B** **C** **D** **E**

**HOW TO ORDER**

- Indicate the following information on order form:
1. Quantity of each item.
  2. Model number, including options. See "How To Build a Model Number".
  3. Any special service required.

Note:

- The  indicates that a choice is required.
- The absence of the  indicates that no choice is required.
- Alpha-numeric characters in place of  indicate that no other alternatives are available.

**HOW TO BUILD A MODEL NUMBER**

- A** Select basic model.
- B** Select solid poly color. Refer to the **Product Color Options** page in this price list.
- C** Select outside/inside poly color. Refer to the **Product Color Options** page in this price list.
- D** Select glide option.
  - GFT** - Felt glides
  - GPL** - Plastic glides
- E** Select upholstery grade/color. Refer to [ki.com/fabrics](http://ki.com/fabrics)

**UPHOLSTERY INFORMATION**

**COM. Upholstery**  
COM. requirement for 10 chairs or less with upholstered seat or upholstered seat and back is 3/4 yard per chair of 54" wide nondirectional fabric. For orders of 11 or more with upholstered seat and back and for complete information on ordering C.O.M. see "Ordering Customer's Own Material (C.O.M) Upholstery." section.

**SPECIAL SERVICES**

**Special Carton Marking**

With specially marked information N/C

**Shipping**  
Ships **assembled, FOB Green Bay, WI 54302, freight prepaid.** Freight class 125.

Specifications and prices are subject to change without prior notice.



Four-Leg Armless Chair



Four-Leg Arm Chair



Four-Leg Armless Chair  
with Casters



Four-Leg Arm Chair  
with Casters

Features				
Stackable	•	•	•	•
Poly, upholstered seat, or upholstered seat/back	•	•	•	•
General Dimensions				
Seat width	19-1/4"	19-1/4"	19-1/4"	19-1/4"
Seat depth	18-3/4"	18-3/4"	18-3/4"	18-3/4"
Seat height (upholstered add 1")	18"	18"	18"	18"
Overall Dimensions				
Width	22-1/4"	25-3/8"	23-1/4"	25-3/8"
Depth	21-1/2"	21-1/2"	22-1/8"	22-1/8"
Height	33-3/4"	33-3/4"	33-3/4"	33-3/4"
Arms to floor		26-1/2"		26-1/2"
Stacking on Dolly				
Overall width	25"	25-3/8"	25"	25-3/8"
Overall depth	42"	42"	42"	42"
Quantity/height - poly	12 Chairs / 69" High	12 Chairs / 69" High	12 Chairs / 69" High	12 Chairs / 69" High
Quantity/height - upholstered	6 Chairs / 50" High	6 Chairs / 50" High	6 Chairs / 50" High	6 Chairs / 50" High
Stacking on Floor				
Width	22-1/4"	25-3/8"	23-1/4"	25-3/8"
Depth	34"	34"	34"	34"
Quantity/height	6 Chairs / 49" High	6 Chairs / 49" High	6 Chairs / 49" High	6 Chairs / 49" High



Sled Base Armless Chair



Sled Base Arm Chair



24" Cafe Stool



30" Cafe Stool



Transport Dolly

Features					
Stackable	•	•			
Poly, upholstered seat, or upholstered seat/back	•	•	•	•	
General Dimensions					
Seat width	19-1/4"	19-1/4"	19-1/4"	19-1/4"	
Seat depth	18-3/4"	18-3/4"	18-3/4"	18-3/4"	
Seat height (upholstered add 1")	18"	18"	24"	30"	
Overall Dimensions					
Width	22-1/4"	25-3/8"	21"	22-1/2"	23-3/4"
Depth	22-1/8"	22-1/8"	21"	21-1/2"	35-1/2"
Height	33-3/4"	33-3/4"	39-3/4"	45-3/4"	62-1/4"
Arms to floor		26-1/2"			
Stacking on Dolly					
Overall width	25"	25-3/8"			
Overall depth	42"	42"			
Quantity/height - poly	12 Chairs / 69" High	12 Chairs / 69" High			
Quantity/height - upholstered	6 Chairs / 50" High	6 Chairs / 50" High			
Stacking on Floor					
Width	22"	25-3/8"			
Depth	34"	34"			
Quantity/height	6 Chairs / 49" High	6 Chairs / 49" High			

#### COM Testing and Production Requirements

Not all materials are suitable for upholstering this product. A 1 yd. x 54" sample must be submitted and approved prior to acceptance of an order. If the fabric is directional in pattern or weave, the direction must be indicated on the submitted sample, and additional yardage may be requested.

Test samples must be sent to:

KI  
Attn: COM. Specialist  
1687 Westminster Drive - Gate 3  
Green Bay, WI 54302

#### Design

Designed by Giancarlo Piretti and manufactured in the USA by Krueger International, Inc. under license from Pro-Cord S.p.A

#### KI Color Match Program

KI offers the additional option of color matching paint, polypropylene, or wood stain through Product Modification Requests. Contact Customer Service for details.

Whatever you imagine, whatever you require, KI's Color Match program lets you pick your color!

[Color Match Process - Poly Seating Information can be found here.](#)

#### Stacking Vinyl, Polyurethane, and Imitation Leather Upholstered Chairs

If stacking frequently and for long periods of time, it is recommended that upholstery other than vinyl, polyurethane or imitation leather be used to avoid impressions in the seat cushion. KI does not warrant the effects of stacking on stock or COM vinyl, polyurethane or imitation leather upholstery.

#### INFORMATION

##### Warranty

Refer to KI Terms & Conditions document or visit [ki.com](http://ki.com)



Four Leg ChangeUp Tablet Arm Chair  
with Glides



Four Leg ChangeUp Tablet Arm Chair  
with Casters



Sled Base ChangeUp Tablet Arm Chair

Features			
Stackable			
Poly, upholstered seat, or upholstered seat/back	•	•	•
General Dimensions			
Seat width	19-1/4"	19-1/4"	19-1/4"
Seat depth	18-3/4"	18-3/4"	18-3/4"
Seat height (upholstered add 1")	18"	18"	18"
Tablet to chair back clearance	16-1/4"	16-1/4"	16-1/4"
Overall Dimensions			
Width	25-3/4"	25-3/4"	25"
Depth	28" - 32-1/4"	28" - 32-1/4"	28-1/2" - 33"
Height	33-3/4"	33-3/4"	33-3/4"
Arms to floor	27-1/4"	27-1/4"	27-1/4"



## TECHNICAL SPECIFICATIONS

### Seat Shell and Backrest Articulation Mechanism

The backrest, seat, and shroud are injection-molded polypropylene. The seat and backrest are joined by a pair of hidden articulation mechanisms, each consisting of a 14-gauge steel housing, twin 7-gauge levers and steel coil springs. While maintaining a one-piece shell appearance, this mechanism allows the backrest to recline up to 17-degrees of motion.

### Optional Upholstered Seat and Back

Urethane foam is attached to an injection-molded polypropylene liner board, then upholstered using a draw-string process. Seat foam is molded nominal 1" thickness, and back foam is nominal 1/2" thickness. The flush-head fasteners that attach the back pad are color-matched to the polypropylene.

### 4-leg and Caster Frames

Legs are made from 7/8" O.D. by 13-gauge tubular steel. A single ring of 1/2" diameter steel wire forms the crossmember. All joints are welded. An optional wallsaver configuration is available. The wallsaver configuration maintains 1/2" gap between backrest and wall by locking the backrest mechanisms in the upright position.

### Sled Frames

Sled side frames are made from 3/4" O.D. by 13-gauge tubular steel. A single ring of 1/2" diameter steel wire forms the crossmember. All joints are welded.

### Frame Finishes

Frames are finished in either baked-on electrostatically-applied 30-degree gloss epoxy powder-coat paint, or bright nickel-chrome plating.

### Arms

Optional armrests are available. When equipped with arms, the support structure is a continuation of the rear leg, finished to match the frame color. The armrests are injection-molded glass-reinforced polypropylene. Arm color matches the frame finish, (except Chrome, hammertone, and metallic finishes; which match the outer shell poly color). The steel frame tube is inserted into a socket molded into the armrest, and secured with a screw.

#### C.O.M. Testing and Production Requirements

Not all materials are suitable for upholstering this product. A 1 yd. x 54" sample must be submitted and approved prior to acceptance of an order. If the fabric is directional in pattern or weave, the direction must be indicated on the submitted sample, and additional yardage may be requested.

Test samples must be sent to:

KI  
Attn: C.O.M. Specialist  
1687 Westminster Drive - Gate 3  
Green Bay, WI 54302

#### Design

Designed by Giancarlo Piretti and manufactured in the USA by Krueger International, Inc. under license from Pro-Cord S.p.A

#### KI Color Match Program

KI offers the additional option of color matching paint, polypropylene, or wood stain through Product Modification Requests. Contact Customer Service for details.

Whatever you imagine, whatever you require, KI's Color Match program lets you pick your color!

[Color Match Process - Poly Seating Information can be found here.](#)

#### Stacking Vinyl, Polyurethane, and Imitation Leather Upholstered Chairs

If stacking frequently and for long periods of time, it is recommended that upholstery other than vinyl, polyurethane or imitation leather be used to avoid impressions in the seat cushion. KI does not warrant the effects of stacking on stock or COM vinyl, polyurethane or imitation leather upholstery.

#### INFORMATION

##### Warranty

Refer to KI Terms & Conditions document or visit [ki.com](http://ki.com)

## Glides

### 4-Leg Chairs

The bottom ends of the tubes are formed to be vertical where they meet the floor and the glides are pressed into them. Three glide options are available; felt, plastic, and steel. Felt and plastic glides have a swivel base and have easy-on/easy-off replaceable caps, which makes field replacement simple and efficient (plastic & felt caps are interchangeable). Steel glides have a non-swivel base and do not have interchangeable caps. No color options are available for glides.

### Sled Base Chairs

Four glide options are available; non-skid, plastic, steel, and felt. Glides are attached to the chair frame with one screw each. All glides have easy-on/easy-off replaceable caps, which makes field replacement simple and efficient. All caps are interchangeable. No color options are available for the glides. Sled base chairs may also be ordered without glides.

## Casters

4-leg chairs may be ordered with casters instead of glides. Casters are 50 mm O.D., double-wheel high-impact thermoplastic, available with hard or soft wheel surface, in black only.

## Gangers

Optional gangers are available on armless 4-leg and sled base chairs only. Gangers are made of chrome-plated  $\frac{3}{16}$ " diameter steel wire, mounted to the chair with an injection-molded nylon hub.

## Transport Dolly

Frame construction is welded tubular steel with black powder-coated finish and 5" wheels (two swivel and two fixed). The dolly fits 4-leg or sled base chairs and has a capacity of twelve poly chairs or six upholstered.

## ChangeUp™ Tablet Arm

ChangeUp tablet support is integral to the chair frame and consists of a  $\frac{7}{8}$ " diameter solid steel rod welded to the front and rear support tubes. A three-piece molded plastic armrest is included and attached to the chair frame using a #10 x 2 $\frac{1}{2}$ " Phillips pan head tapping screw.

The tablet mechanism consists a die-cast aluminum housing, upper and lower plastic bearings, and 11-gauge steel clamp and tablet board support plates. The tablet mechanism is clamped onto the chair frame over two plastic bushing halves and a  $\frac{5}{16}$ " diameter by  $1\frac{3}{4}$ " hardened steel pin with a die-cast aluminum cap secured with two  $\frac{1}{4}$ -20 x  $\frac{3}{4}$ " button socket head cap screws. The pin creates a solid 90° up/down pivot stop and the bushings provide a smooth, quiet operation. In the use position, the tablet mechanism rotates outward from the chair back an additional 20° and permits approximately 3 $\frac{1}{2}$ " of adjustment for ingress/egress without stowing the tablet.

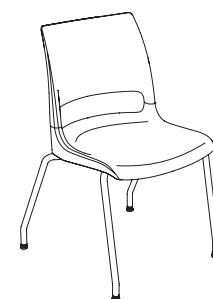
The tablet worksurface is 21" wide by 13 $\frac{1}{2}$ " deep (235 square inches) is secured to the tablet board support plate with twelve #12 x  $\frac{5}{8}$ " Phillips flat head tapping screws. The tablet board is made of 18 mm Baltic Birch plywood with .040" high-pressure laminate top surface and .02" thick phenolic backer surface for an overall board thickness of approximately  $\frac{3}{4}$ ". Edges are lacquered with a clear finish and sealed. The factory installed tablet assembly is not field installable and may not be removed.

### Weight Rating

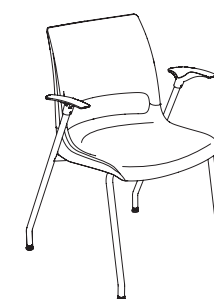
ChangeUp tablet arm can support a 250 lb static load.

## Compliance

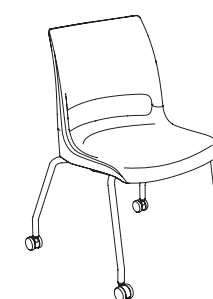
Doni seating is designed and manufactured to meet or exceed required ANSI/BIFMA X5.1-2011 Seating. Seat functional weight rating for Doni stack chair is 400 lb, as conducted by and within KI's Accredited Test Lab.



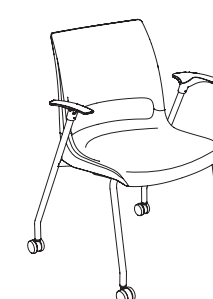
DN1100



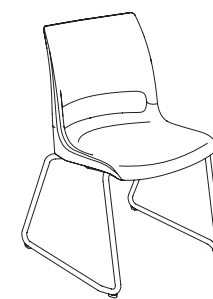
DN1111



DN2100



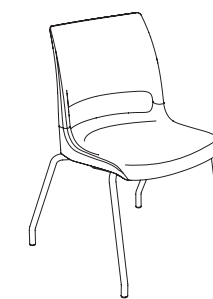
DN2111



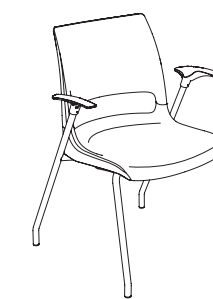
DN3100



DN3111



DNC100



DNC111



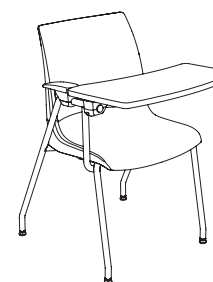
DNH100



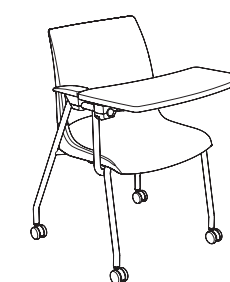
DNJ100



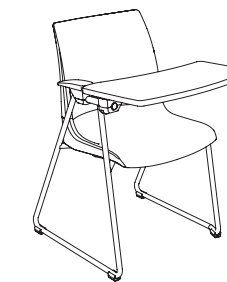
DN4100H24



DN119R



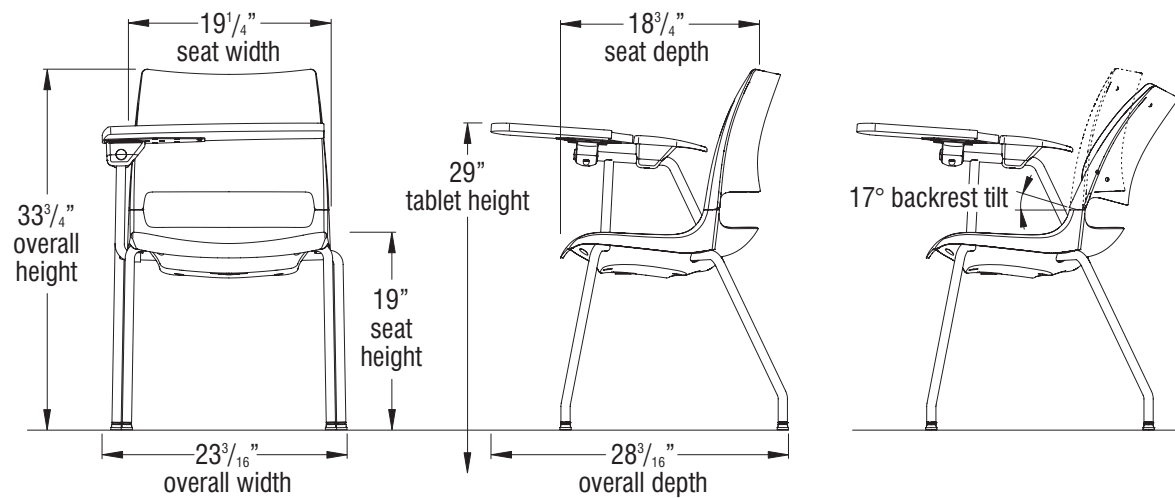
DN219R



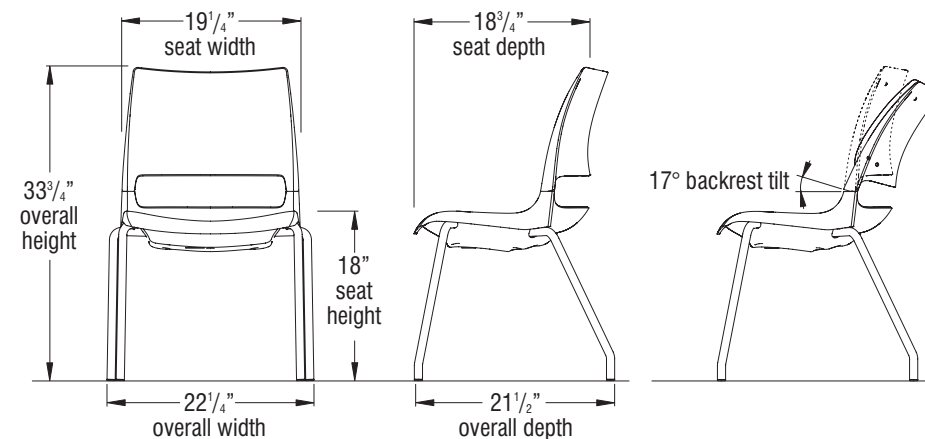
DN319R



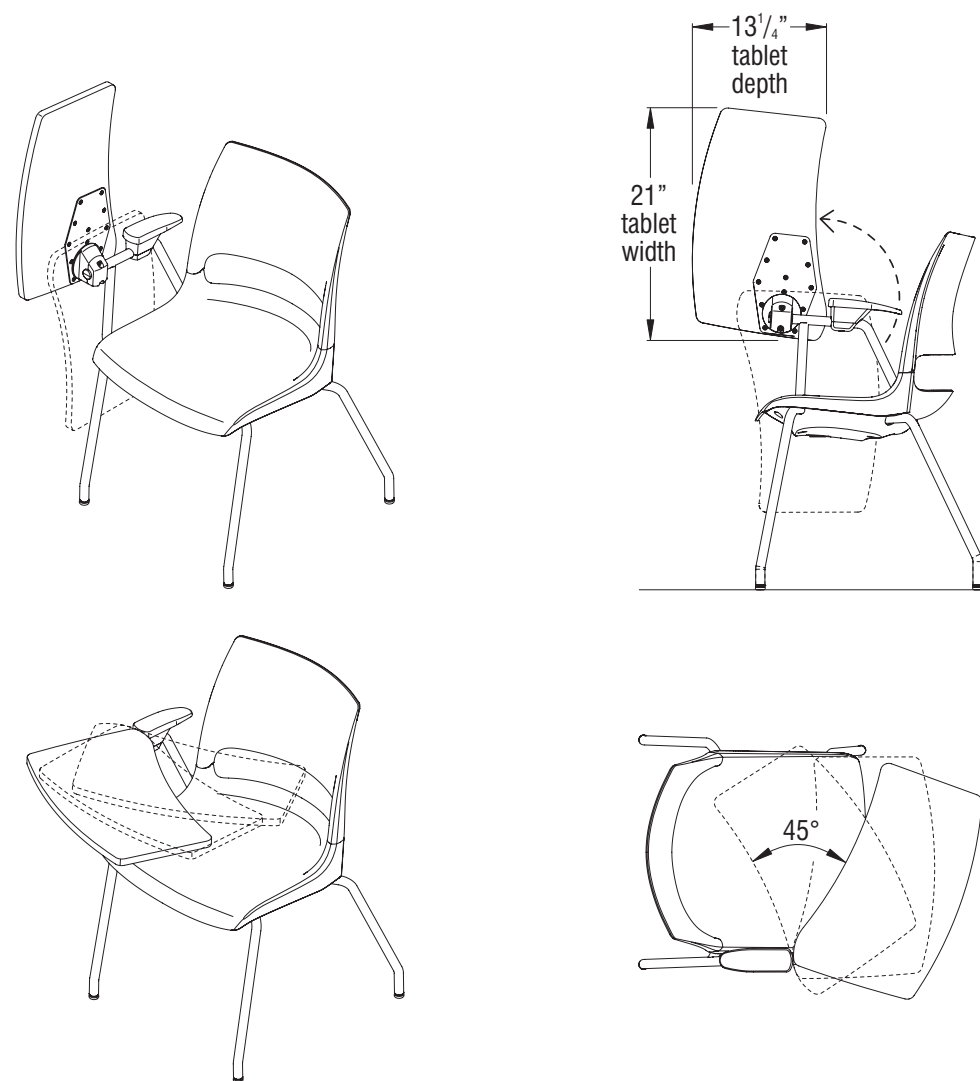
### Doni 4-Leg ChangeUp Tablet Armchair with Glides



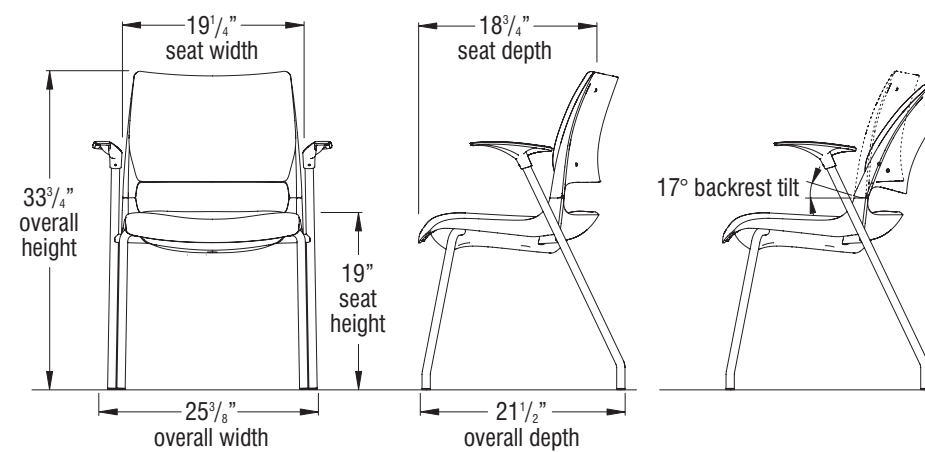
### Doni 4-Leg Armless Chair



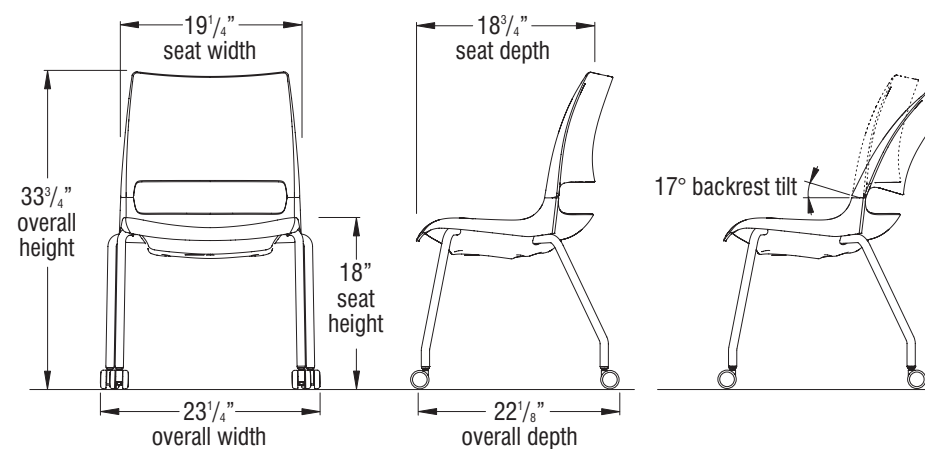
### ChangeUp Tablet Arm

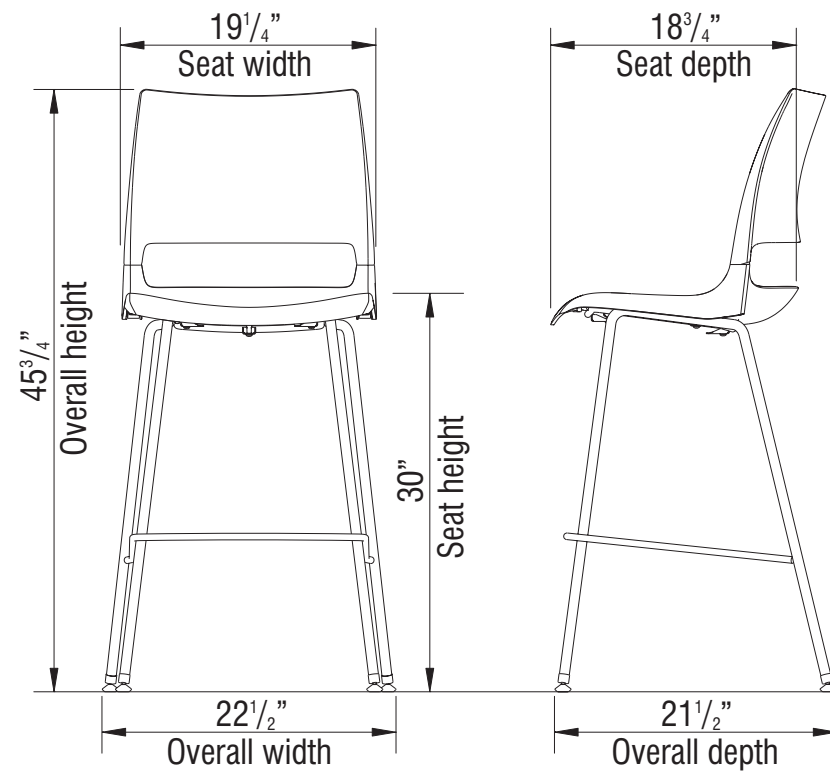
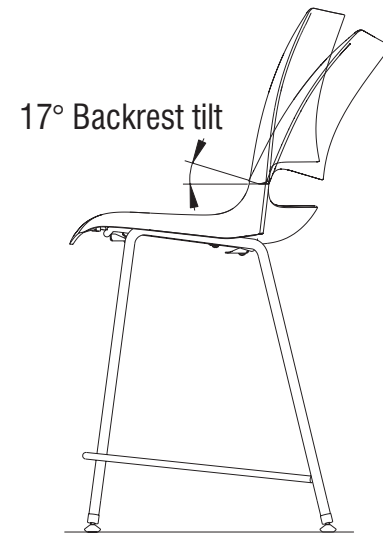
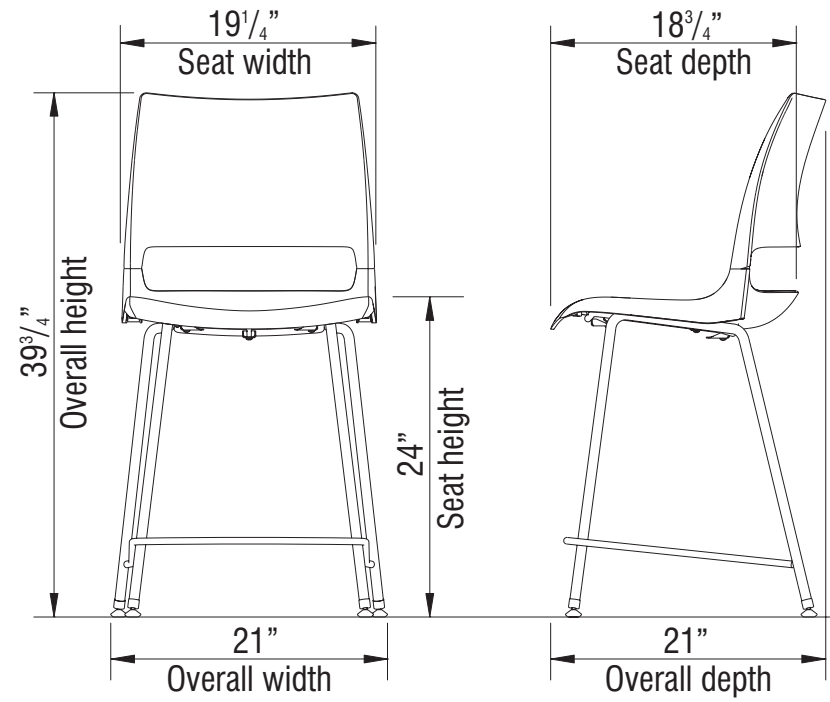


### Doni 4-Leg Armchair

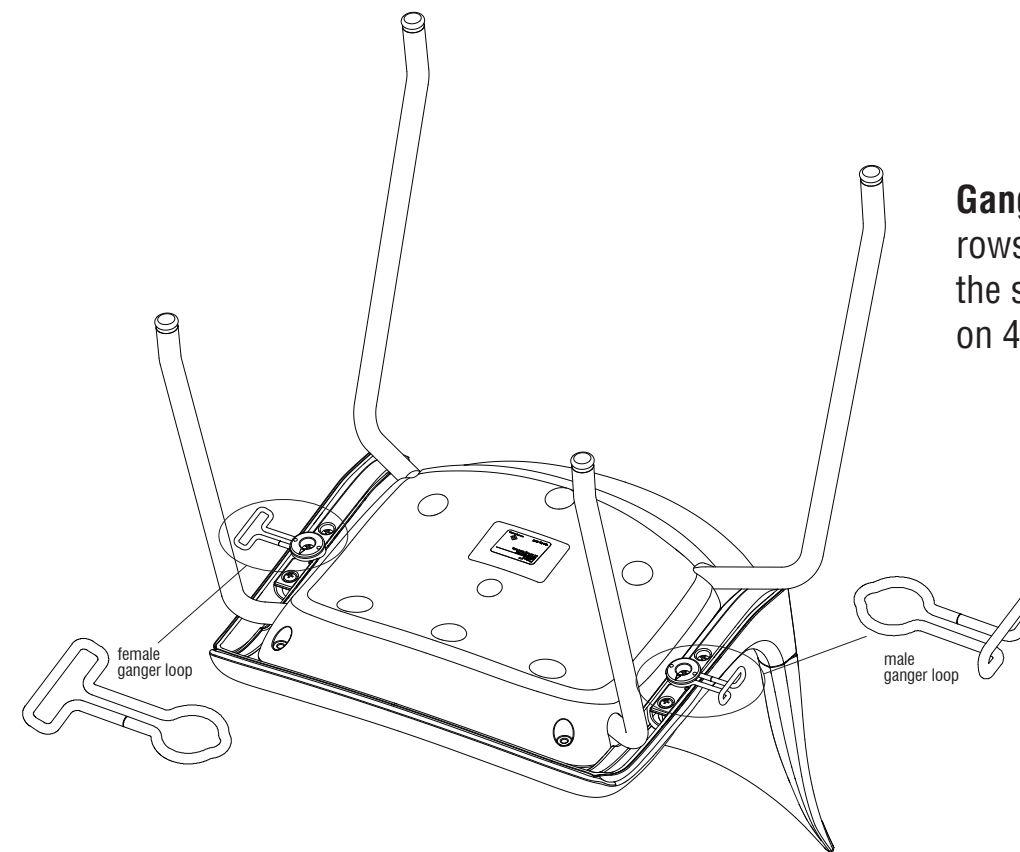
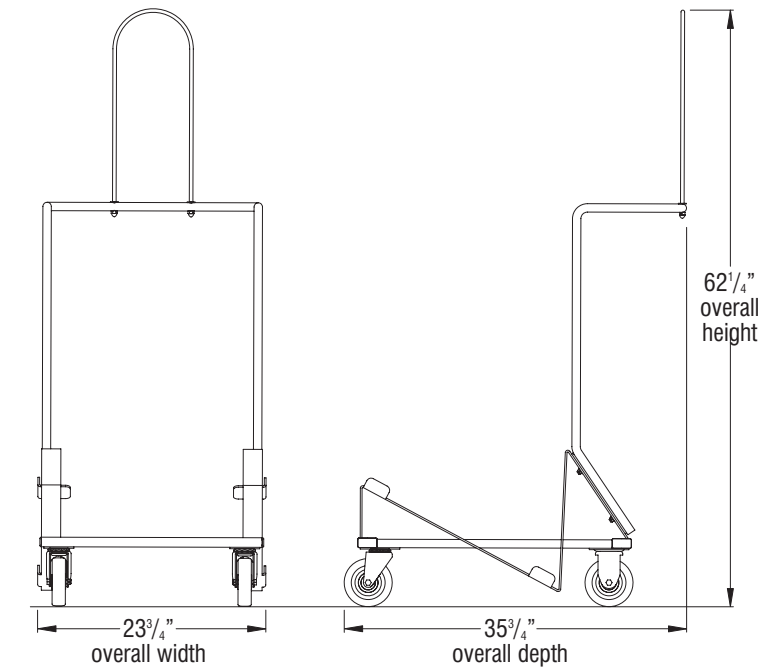


### Doni 4-Leg Armless Chair with Casters





Dolly



**Ganging Mechanism** allows curved rows and rotates out of sight below the seat when not in use. Available on 4-leg and sled base chairs only.



**Frame Color**

Black	BL
Blue Grey	GR
Bronze Metallic	ZM
Cayenne	CY
Champagne Metallic	CM
Chrome	CH
Cool Grey	CG
Cottonwood	CO
Earthen Clay	EY
Espresso Metallic	EX
Everglade Shade	EV
Flannel	FN
Glitz Metallic	GZ
Hazy Jade	HJ
Honey Bee	HY
Light Tone	LG
Mardi Gras	MG
Misty Brown	MY
Nemo	NE
Nordic	ND
Poppy Red	PR
Purple Haze	PH
Rainforest	RQ
Raw Jasper	RJ
Rubber Ducky	RK
Sky Blue	SK
Starlight Silver Metallic	SX
Surf's Up	SP
Tarragon	TQ
Twilight Shadow	TI
Ultra Blue	UB
Warm Grey	WG
Zesty Lime	ZL

**SOLID COLOR Seat and Back Polypropylene**

Black	PBL
Blue Grey	PGR
Cayenne	PCY
Cool Grey	PCG
Cottonwood	PCO
Earthen Clay	PEY
Everglade Shade	PEV
Flannel	PFN
Hazy Jade	PHJ
Honey Bee	PHY
Light Tone	PLG
Misty Brown	PMY
Nemo	PNE
Nordic	PND
Purple Haze	PPH
Rainforest	PRQ
Raw Jasper	PRJ
Surf's Up	PSP
Tarragon	PTQ
Twilight Shadow	PTI
Ultra Blue	PUB
Warm Grey	PWG

Zesty Lime

**TWO-TONE COLOR Seat and Back - Polypropylene**

**Outside/Inside**

Outside Black/Inside Cool Grey
Outside Black/inside Cottonwood
Outside Black/Inside Light Tone
Outside Black/Inside Warm Grey
Outside Blue Grey/inside Cool Grey
Outside Blue Grey/inside Cottonwood
Outside Cayenne/Inside Cool Grey
Outside Cayenne/Inside Cottonwood
Outside Cayenne/Inside Light Tone
Outside Cayenne/Inside Warm Grey
Outside Cool Grey/inside Cottonwood
Outside Everglade Shade/Inside Cool Grey
Outside Everglade Shade/Inside Cottonwood
Outside Everglade Shade/Inside Light Tone
Outside Everglade Shade/Inside Warm Grey
Outside Flannel/Inside Cool Grey
Outside Flannel/Inside Cottonwood
Outside Flannel/Inside Light Tone
Outside Flannel/inside Warm Grey
Outside Misty Brown/inside Cottonwood
Outside Misty Brown/Inside Light Tone
Outside Nordic/inside Cool Grey
Outside Nordic/Inside Cottonwood
Outside Nordic/Inside Light Tone
Outside Nordic/Inside Warm Grey
Outside Purple Haze/Inside Cool Grey
Outside Purple Haze/Inside Cottonwood
Outside Purple Haze/Inside Light Tone
Outside Purple Haze/Inside Warm Grey
Outside Rainforest/Inside Cool Grey
Outside Rainforest/Inside Cottonwood
Outside Rainforest/Inside Light Tone
Outside Rainforest/Inside Warm Grey
Outside Raw Jasper/Inside Cool Grey
Outside Raw Jasper/Inside Cottonwood
Outside Raw Jasper/Inside Light Tone
Outside Raw Jasper/Inside Warm Grey
Outside Surf's Up/inside Cool Grey
Outside Surfs Up/Inside Cottonwood
Outside Surfs Up/Inside Light Tone
Outside Surfs Up/Inside Warm Grey
Outside Tarragon/Inside Cool Grey
Outside Tarragon/Inside Cottonwood
Outside Tarragon/Inside Light Tone
Outside Tarragon/Inside Warm Grey
Outside Twilight Shadow/Inside Cool Grey
Outside Twilight Shadow/Inside Cottonwood
Outside Twilight Shadow/Inside Light Tone
Outside Twilight Shadow/Inside Warm Grey
Outside Ultra Blue/inside Cottonwood
Outside Ultra Blue/Inside Warm Grey
Outside Warm Grey/Inside Cottonwood
Outside Zesty Lime/inside Cottonwood

PZL

**ChangeUp Table Arm Color - Laminate**

Beigewood	LBZ
Belair	LBQ
Biltmore Cherry	LBT
Black	LBK
Brighton Walnut	LBW
Castle Oak	LCO
Cherry Storm	LCX
Classic Linen	LCI
Cocobala	LCC
Crisp Linen	LRI
Designer White	LDR
Dove Grey	LDG
Florence Walnut	LFC
Friston Ash	LFH
Frosty White	LFW
Graphite Nebula	LGN
Grey	LGE
High Rise	LHE
Hollyberry	LHY
Island	LID
Italian Silver Ash	LIT
Kensington Maple	LKM
Lapis Blue	LLB
Monticello Maple	LMT
North Sea	LNA
Ocean	LON
Pinnacle Walnut	LPW
River Cherry	LRY
Shadow Zephyr	LSR
Sterling Ash	LAZ
Titanium Evolv	LTV
White Nebula	LWL
White Sand	LWN
Windsor Mahogany	LWY

**Finish Cards**


View color swatches for items listed within this document.

- Paints
- Wood/Veneer
- Molded Edges
- Hard Plastics
- Plastics/Poly
- Laminates
- Edge Styles
- Glass

Certain options referenced may not be available on GSA Schedule.





MODEL	Features	MODEL NUMBER						Approx. Packaged Weight	Delivered Pricing Unupholstered	Delivered Pricing Fabric Grade 1 & C.O.M.	Delivered Pricing Fabric Grade 2	Delivered Pricing Fabric Grade 3	Delivered Pricing Vinyl Group 2V	Delivered Pricing Pallas Fabric Group P0	Delivered Pricing Pallas Fabric Group P1	Delivered Pricing Pallas Fabric Group P2	Delivered Pricing Pallas Fabric Group P3	Delivered Pricing Pallas Fabric Group P4
		Basic Model	Poly Solid Color	Poly Outside/Inside Color	Frame Color	Caster Type	Upholstery Color											
 <p><b>Four-Leg Armless Chair with Casters</b></p> <ul style="list-style-type: none"> <li>• Solid or two-tone colored shell</li> <li>• Unlimited color match</li> <li>• 17 degrees of hip articulation</li> <li>• Task and guest chair models available</li> <li>• 400 pound approved</li> <li>• Stacking. Caution should be exercised to prevent casters from marring components such as frames, fabric, etc., and to prevent casters from becoming "hung up" underneath the seat of the chair</li> </ul>	Solid Color, Polypropylene	DN2100	<input type="checkbox"/> <input type="checkbox"/> <input type="checkbox"/>		<input type="checkbox"/> <input type="checkbox"/>	<input type="checkbox"/> <input type="checkbox"/> <input type="checkbox"/>	19.50#	\$ 414										
	Solid Color, Upholstered Seat	DN2200	<input type="checkbox"/> <input type="checkbox"/> <input type="checkbox"/>		<input type="checkbox"/> <input type="checkbox"/>	<input type="checkbox"/> <input type="checkbox"/> <input type="checkbox"/> <input type="checkbox"/> <input type="checkbox"/>	22.00#	N/A	565	574	597	597	607	657	678	703	738	
	Solid Color, Upholstered Seat/Back	DN2300	<input type="checkbox"/> <input type="checkbox"/> <input type="checkbox"/>		<input type="checkbox"/> <input type="checkbox"/>	<input type="checkbox"/> <input type="checkbox"/> <input type="checkbox"/> <input type="checkbox"/> <input type="checkbox"/>	23.50#	N/A	599	609	631	631	643	693	713	737	774	
	Two-Tone, Polypropylene	DN2A00		<input type="checkbox"/> <input type="checkbox"/> <input type="checkbox"/> <input type="checkbox"/> <input type="checkbox"/> <input type="checkbox"/>	<input type="checkbox"/> <input type="checkbox"/>	<input type="checkbox"/> <input type="checkbox"/> <input type="checkbox"/> <input type="checkbox"/> <input type="checkbox"/>	19.50#	485										
	Two-Tone, Upholstered Seat	DN2B00		<input type="checkbox"/> <input type="checkbox"/> <input type="checkbox"/> <input type="checkbox"/> <input type="checkbox"/> <input type="checkbox"/>	<input type="checkbox"/> <input type="checkbox"/>	<input type="checkbox"/> <input type="checkbox"/> <input type="checkbox"/> <input type="checkbox"/> <input type="checkbox"/>	22.00#	N/A	633	645	667	667	678	727	747	773	810	

DN21  
DN22  
DN23  
DN2A  
DN2B

**HOW TO ORDER**

Indicate the following information on order form:  
 1. Quantity of each item.  
 2. Model number, including options. See "How To Build a Model Number".  
 3. Any special service required.

Note: • The  indicates that a choice is required.  
 • The absence of the  indicates that no choice is required.  
 • Alpha-numeric characters in place of  indicate that no other alternatives are available.

**HOW TO BUILD A MODEL NUMBER**

- A** Select basic model.
- B** Select solid poly color. Refer to the **Product Color Options** page in this price list.
- C** Select outside/inside poly color. Refer to the **Product Color Options** page in this price list.
- D** Select frame color. Refer to the **Product Color Options** page in this price list.
- E** Select casters.
 

<b>CHC</b>	- Hard floor casters
<b>CCC</b>	- Carpet casters
- F** Select upholstery grade/color. Refer to [ki.com/fabrics](http://ki.com/fabrics)

**UPHOLSTERY INFORMATION**

**COM. Upholstery**  
 COM. requirement for 10 chairs or less with upholstered seat or upholstered seat and back is 3/4 yard per chair of 54" wide nondirectional fabric. For orders of 11 or more with upholstered seat and back and for complete information on ordering C.O.M. see "Ordering Customer's Own Material (C.O.M) Upholstery." section.


**SPECIAL SERVICES**

**Special Carton Marking**  
 With specially marked information N/C

**Shipping**  
 Ships **assembled, FOB Green Bay, WI 54302, freight prepaid.** Freight class 125.

Specifications and prices are subject to change without prior notice.



MODEL	Features	MODEL NUMBER						Approx. Packaged Weight	Delivered Pricing Unupholstered	Delivered Pricing Fabric Grade 1 & C.O.M.	Delivered Pricing Fabric Grade 2	Delivered Pricing Fabric Grade 3	Delivered Pricing Vinyl Group 2V	Delivered Pricing Pallas Fabric Group P0	Delivered Pricing Pallas Fabric Group P1	Delivered Pricing Pallas Fabric Group P2	Delivered Pricing Pallas Fabric Group P3	Delivered Pricing Pallas Fabric Group P4
		Basic Model	Poly Solid Color	Poly Outside/Inside Color	Frame Color	Glide Option	Upholstery Color											
 <p><b>Four-Leg Arm Chair</b></p> <ul style="list-style-type: none"> <li>• Solid or two-tone colored shell</li> <li>• Unlimited color match</li> <li>• 17 degrees of hip articulation</li> <li>• Task and guest chair models available</li> <li>• 400 pound approved</li> <li>• Stacking</li> </ul>	Solid Color, Polypropylene	DN1111	<input type="checkbox"/> <input type="checkbox"/> <input type="checkbox"/>		<input type="checkbox"/> <input type="checkbox"/>	<input type="checkbox"/> <input type="checkbox"/> <input type="checkbox"/>	20.50#	\$ 441										
	Solid Color, Upholstered Seat	DN1211	<input type="checkbox"/> <input type="checkbox"/> <input type="checkbox"/>		<input type="checkbox"/> <input type="checkbox"/>	<input type="checkbox"/> <input type="checkbox"/> <input type="checkbox"/> <input type="checkbox"/> <input type="checkbox"/> <input type="checkbox"/>	23.00#	N/A	590	602	623	623	633	684	704	728	765	
	Solid Color, Upholstered Seat/Back	DN1311	<input type="checkbox"/> <input type="checkbox"/> <input type="checkbox"/>		<input type="checkbox"/> <input type="checkbox"/>	<input type="checkbox"/> <input type="checkbox"/> <input type="checkbox"/> <input type="checkbox"/> <input type="checkbox"/> <input type="checkbox"/>	24.50#	N/A	625	637	657	657	670	719	738	764	801	
	Two-Tone, Polypropylene	DN1A11		<input type="checkbox"/> <input type="checkbox"/> <input type="checkbox"/> <input type="checkbox"/> <input type="checkbox"/> <input type="checkbox"/>	<input type="checkbox"/> <input type="checkbox"/>	<input type="checkbox"/> <input type="checkbox"/> <input type="checkbox"/> <input type="checkbox"/> <input type="checkbox"/> <input type="checkbox"/>	20.50#	512										
Two-Tone, Upholstered Seat	DN1B11		<input type="checkbox"/> <input type="checkbox"/> <input type="checkbox"/> <input type="checkbox"/> <input type="checkbox"/> <input type="checkbox"/>	<input type="checkbox"/> <input type="checkbox"/>	<input type="checkbox"/> <input type="checkbox"/> <input type="checkbox"/> <input type="checkbox"/> <input type="checkbox"/> <input type="checkbox"/>	23.00#	N/A	659	673	693	693	704	755	774	800	837		

DN11  
DN12  
DN13  
DN1A  
DN1B

**HOW TO ORDER**

Indicate the following information on order form:  
 1. Quantity of each item.  
 2. Model number, including options. See "How To Build a Model Number".  
 3. Any special service required.

Note: • The  indicates that a choice is required.  
 • The absence of the  indicates that no choice is required.  
 • Alpha-numeric characters in place of  indicate that no other alternatives are available.

**HOW TO BUILD A MODEL NUMBER**

- A** Select basic model.
- B** Select solid poly color. Refer to the **Product Color Options** page in this price list.
- C** Select outside/inside poly color. Refer to the **Product Color Options** page in this price list.
- D** Select frame color. Refer to the **Product Color Options** page in this price list.
- E** Select glide option.
  - GFT** - Felt glides
  - GPL** - Plastic glides
  - GSL** - Steel glides
- F** Select upholstery grade/color. Refer to [ki.com/fabrics](http://ki.com/fabrics)

**UPHOLSTERY INFORMATION**

**COM. Upholstery**  
 COM. requirement for 10 chairs or less with upholstered seat or upholstered seat and back is 3/4 yard per chair of 54" wide nondirectional fabric. For orders of 11 or more with upholstered seat and back and for complete information on ordering C.O.M. see "Ordering Customer's Own Material (C.O.M) Upholstery." section.

**SPECIAL SERVICES**


**Special Carton Marking**  
 With specially marked information N/C

**Shipping**  
 Ships **assembled, FOB Green Bay, WI 54302, freight prepaid.** Freight class 125.

Specifications and prices are subject to change without prior notice.





MODEL	Features	MODEL NUMBER						Approx. Packaged Weight	Delivered Pricing Unupholstered	Delivered Pricing Fabric Grade 1 & C.O.M.	Delivered Pricing Fabric Grade 2	Delivered Pricing Fabric Grade 3	Delivered Pricing Vinyl Group 2V	Delivered Pricing Pallas Fabric Group P0	Delivered Pricing Pallas Fabric Group P1	Delivered Pricing Pallas Fabric Group P2	Delivered Pricing Pallas Fabric Group P3	Delivered Pricing Pallas Fabric Group P4
		Basic Model	Poly Solid Color	Poly Outside/Inside Color	Frame Color	Glide Option	Upholstery Color											
 <p><b>Four-Leg Armless Ganging Chair</b></p> <ul style="list-style-type: none"> <li>• Solid or two-tone colored shell</li> <li>• Unlimited color match</li> <li>• 17 degrees of hip articulation</li> <li>• Task and guest chair models available</li> <li>• 400 pound approved</li> <li>• Stacking</li> </ul>	Solid Color, Polypropylene	DNH100	<input type="checkbox"/> <input type="checkbox"/> <input type="checkbox"/>		<input type="checkbox"/> <input type="checkbox"/>	<input type="checkbox"/> <input type="checkbox"/> <input type="checkbox"/>	19.00#	\$ 437										
	Solid Color, Upholstered Seat	DNH200	<input type="checkbox"/> <input type="checkbox"/> <input type="checkbox"/>		<input type="checkbox"/> <input type="checkbox"/>	<input type="checkbox"/> <input type="checkbox"/> <input type="checkbox"/> <input type="checkbox"/> <input type="checkbox"/>	21.50#	N/A	584	597	617	617	629	679	699	723	759	
	Solid Color, Upholstered Seat/Back	DNH300	<input type="checkbox"/> <input type="checkbox"/> <input type="checkbox"/>		<input type="checkbox"/> <input type="checkbox"/>	<input type="checkbox"/> <input type="checkbox"/> <input type="checkbox"/> <input type="checkbox"/> <input type="checkbox"/>	23.00#	N/A	619	631	651	651	664	714	733	758	795	
	Two-Tone, Polypropylene	DNHA00		<input type="checkbox"/> <input type="checkbox"/> <input type="checkbox"/> <input type="checkbox"/> <input type="checkbox"/> <input type="checkbox"/>	<input type="checkbox"/> <input type="checkbox"/>	<input type="checkbox"/> <input type="checkbox"/> <input type="checkbox"/>	19.00#	507										
	Two-Tone, Upholstered Seat	DNHB00		<input type="checkbox"/> <input type="checkbox"/> <input type="checkbox"/> <input type="checkbox"/> <input type="checkbox"/> <input type="checkbox"/>	<input type="checkbox"/> <input type="checkbox"/>	<input type="checkbox"/> <input type="checkbox"/> <input type="checkbox"/> <input type="checkbox"/> <input type="checkbox"/>	21.50#	N/A	654	667	686	686	699	750	769	793	830	

DNH1  
DNH2  
DNH3  
DNHA  
DNHB

**HOW TO ORDER**

- Indicate the following information on order form:
1. Quantity of each item.
  2. Model number, including options. See "How To Build a Model Number".
  3. Any special service required.

Note:

- The  indicates that a choice is required.
- The absence of the  indicates that no choice is required.
- Alpha-numeric characters in place of  indicate that no other alternatives are available.

**HOW TO BUILD A MODEL NUMBER**

- A** Select basic model.
- B** Select solid poly color.  
Refer to the **Product Color Options** page in this price list.
- C** Select outside/inside poly color.  
Refer to the **Product Color Options** page in this price list.
- D** Select frame color.  
Refer to the **Product Color Options** page in this price list.
- E** Select glide option.
 

<b>GFT</b>	- Felt glides
<b>GPL</b>	- Plastic glides
<b>GSL</b>	- Steel glides
- F** Select upholstery grade/color.  
Refer to [ki.com/fabrics](http://ki.com/fabrics)

**UPHOLSTERY INFORMATION**

**COM. Upholstery**  
COM. requirement for 10 chairs or less with upholstered seat or upholstered seat and back is 3/4 yard per chair of 54" wide nondirectional fabric. For orders of 11 or more with upholstered seat and back and for complete information on ordering C.O.M. see "Ordering Customer's Own Material (C.O.M) Upholstery." section.

**SPECIAL SERVICES**


**Special Carton Marking**

With specially marked information N/C

**Shipping**  
Ships **assembled, FOB Green Bay, WI 54302, freight prepaid.** Freight class 125.

Specifications and prices are subject to change without prior notice.



MODEL	Features	MODEL NUMBER						Approx. Packaged Weight	Delivered Pricing Unupholstered	Delivered Pricing Fabric Grade 1 & C.O.M.	Delivered Pricing Fabric Grade 2	Delivered Pricing Fabric Grade 3	Delivered Pricing Vinyl Group 2V	Delivered Pricing Pallas Fabric Group P0	Delivered Pricing Pallas Fabric Group P1	Delivered Pricing Pallas Fabric Group P2	Delivered Pricing Pallas Fabric Group P3	Delivered Pricing Pallas Fabric Group P4
		Basic Model	Poly Solid Color	Poly Outside/Inside Color	Frame Color	Glide Option	Upholstery Color											
 <p><b>Four-Leg Armless Wallsaver Chair</b></p> <ul style="list-style-type: none"> <li>• Solid or two-tone colored shell</li> <li>• Unlimited color match</li> <li>• Task and guest chair models available</li> <li>• 400 pound approved</li> <li>• Stacking</li> </ul>	Solid Color, Polypropylene	DNC100	<input type="checkbox"/> <input type="checkbox"/> <input type="checkbox"/>		<input type="checkbox"/> <input type="checkbox"/>	<input type="checkbox"/> <input type="checkbox"/> <input type="checkbox"/>	19.00#	\$ 422										
	Solid Color, Upholstered Seat	DNC200	<input type="checkbox"/> <input type="checkbox"/> <input type="checkbox"/>		<input type="checkbox"/> <input type="checkbox"/>	<input type="checkbox"/> <input type="checkbox"/> <input type="checkbox"/> <input type="checkbox"/> <input type="checkbox"/> <input type="checkbox"/>	21.50#	N/A	570	581	603	603	613	666	684	709	746	
	Solid Color, Upholstered Seat/Back	DNC300	<input type="checkbox"/> <input type="checkbox"/> <input type="checkbox"/>		<input type="checkbox"/> <input type="checkbox"/>	<input type="checkbox"/> <input type="checkbox"/> <input type="checkbox"/> <input type="checkbox"/> <input type="checkbox"/> <input type="checkbox"/>	23.00#	N/A	605	617	638	638	649	700	719	745	781	
	Two-Tone, Polypropylene	DNCA00		<input type="checkbox"/> <input type="checkbox"/> <input type="checkbox"/> <input type="checkbox"/> <input type="checkbox"/> <input type="checkbox"/>	<input type="checkbox"/> <input type="checkbox"/>	<input type="checkbox"/> <input type="checkbox"/> <input type="checkbox"/>	19.00#	491										
	Two-Tone, Upholstered Seat	DNCB00		<input type="checkbox"/> <input type="checkbox"/> <input type="checkbox"/> <input type="checkbox"/> <input type="checkbox"/> <input type="checkbox"/>	<input type="checkbox"/> <input type="checkbox"/>	<input type="checkbox"/> <input type="checkbox"/> <input type="checkbox"/> <input type="checkbox"/> <input type="checkbox"/> <input type="checkbox"/>	21.50#	N/A	641	651	674	674	684	735	755	779	815	

- DNC1
- DNC2
- DNC3
- DNCA
- DNCB

**HOW TO ORDER**

Indicate the following information on order form:

1. Quantity of each item.
2. Model number, including options. See "How To Build a Model Number".
3. Any special service required.

Note:

- The  indicates that a choice is required.
- The absence of the  indicates that no choice is required.
- Alpha-numeric characters in place of  indicate that no other alternatives are available.

**HOW TO BUILD A MODEL NUMBER**

- A** Select basic model.
- B** Select solid poly color. Refer to the **Product Color Options** page in this price list.
- C** Select outside/inside poly color. Refer to the **Product Color Options** page in this price list.
- D** Select frame color. Refer to the **Product Color Options** page in this price list.
- E** Select glide option.
  - GFT** - Felt glides
  - GPL** - Plastic glides
  - GSL** - Steel glides
- F** Select upholstery grade/color. Refer to [ki.com/fabrics](http://ki.com/fabrics)

**UPHOLSTERY INFORMATION**

**COM. Upholstery**  
COM. requirement for 10 chairs or less with upholstered seat or upholstered seat and back is 3/4 yard per chair of 54" wide nondirectional fabric. For orders of 11 or more with upholstered seat and back and for complete information on ordering C.O.M. see "Ordering Customer's Own Material (C.O.M) Upholstery." section.


**SPECIAL SERVICES**

**Special Carton Marking**  
With specially marked information N/C

**Shipping**  
Ships **assembled, FOB Green Bay, WI 54302, freight prepaid.** Freight class 125.

Specifications and prices are subject to change without prior notice.



MODEL	Features	MODEL NUMBER						Approx. Packaged Weight	Delivered Pricing Unupholstered	Delivered Pricing Fabric Grade 1 & C.O.M.	Delivered Pricing Fabric Grade 2	Delivered Pricing Fabric Grade 3	Delivered Pricing Vinyl Group 2V	Delivered Pricing Pallas Fabric Group P0	Delivered Pricing Pallas Fabric Group P1	Delivered Pricing Pallas Fabric Group P2	Delivered Pricing Pallas Fabric Group P3	Delivered Pricing Pallas Fabric Group P4
		Basic Model	Poly Solid Color	Poly Outside/Inside Color	Frame Color	Glide Option	Upholstery Color											
 <p><b>Four-Leg Wallsaver Arm Chair</b></p> <ul style="list-style-type: none"> <li>• Solid or two-tone colored shell</li> <li>• Unlimited color match</li> <li>• Task and guest chair models available</li> <li>• 400 pound approved</li> <li>• Stacking</li> </ul>	Solid Color, Polypropylene	DNC111	<input type="checkbox"/> <input type="checkbox"/> <input type="checkbox"/>		<input type="checkbox"/> <input type="checkbox"/>	<input type="checkbox"/> <input type="checkbox"/> <input type="checkbox"/>	20.50#	\$ 497										
	Solid Color, Upholstered Seat	DNC211	<input type="checkbox"/> <input type="checkbox"/> <input type="checkbox"/>		<input type="checkbox"/> <input type="checkbox"/>	<input type="checkbox"/> <input type="checkbox"/> <input type="checkbox"/> <input type="checkbox"/> <input type="checkbox"/> <input type="checkbox"/>	23.00#	N/A	646	657	679	679	688	740	759	785	820	
	Solid Color, Upholstered Seat/Back	DNC311	<input type="checkbox"/> <input type="checkbox"/> <input type="checkbox"/>		<input type="checkbox"/> <input type="checkbox"/>	<input type="checkbox"/> <input type="checkbox"/> <input type="checkbox"/> <input type="checkbox"/> <input type="checkbox"/> <input type="checkbox"/>	24.50#	N/A	681	693	714	714	724	775	795	818	856	
	Two-Tone, Polypropylene	DNCA11		<input type="checkbox"/> <input type="checkbox"/> <input type="checkbox"/> <input type="checkbox"/> <input type="checkbox"/> <input type="checkbox"/>	<input type="checkbox"/> <input type="checkbox"/>	<input type="checkbox"/> <input type="checkbox"/> <input type="checkbox"/> <input type="checkbox"/> <input type="checkbox"/> <input type="checkbox"/>	20.50#	568										
	Two-Tone, Upholstered Seat	DNCB11		<input type="checkbox"/> <input type="checkbox"/> <input type="checkbox"/> <input type="checkbox"/> <input type="checkbox"/> <input type="checkbox"/>	<input type="checkbox"/> <input type="checkbox"/>	<input type="checkbox"/> <input type="checkbox"/> <input type="checkbox"/> <input type="checkbox"/> <input type="checkbox"/> <input type="checkbox"/>	23.00#	N/A	716	727	750	750	759	811	830	855	892	

- DNC1
- DNC2
- DNC3
- DNCA
- DNCB

**HOW TO ORDER**

Indicate the following information on order form:

1. Quantity of each item.
2. Model number, including options. See "How To Build a Model Number".
3. Any special service required.

Note:

- The  indicates that a choice is required.
- The absence of the  indicates that no choice is required.
- Alpha-numeric characters in place of  indicate that no other alternatives are available.

**HOW TO BUILD A MODEL NUMBER**

**A** Select basic model.

**B** Select solid poly color. Refer to the **Product Color Options** page in this price list.

**C** Select outside/inside poly color. Refer to the **Product Color Options** page in this price list.

**D** Select frame color. Refer to the **Product Color Options** page in this price list.

**E** Select glide option.

<b>GFT</b>	- Felt glides
<b>GPL</b>	- Plastic glides
<b>GSL</b>	- Steel glides

**F** Select upholstery grade/color. Refer to [ki.com/fabrics](http://ki.com/fabrics)

**UPHOLSTERY INFORMATION**

**COM. Upholstery**  
COM. requirement for 10 chairs or less with upholstered seat or upholstered seat and back is 3/4 yard per chair of 54" wide nondirectional fabric. For orders of 11 or more with upholstered seat and back and for complete information on ordering C.O.M. see "Ordering Customer's Own Material (C.O.M) Upholstery." section.


**SPECIAL SERVICES**

**Special Carton Marking**  
With specially marked information N/C

**Shipping**  
Ships **assembled, FOB Green Bay, WI 54302, freight prepaid.** Freight class 125.

Specifications and prices are subject to change without prior notice.



MODEL	Features	MODEL NUMBER						Approx. Packaged Weight	Delivered Pricing Unupholstered	Delivered Pricing Fabric Grade 1 & C.O.M.	Delivered Pricing Fabric Grade 2	Delivered Pricing Fabric Grade 3	Delivered Pricing Vinyl Group 2V	Delivered Pricing Pallas Fabric Group P0	Delivered Pricing Pallas Fabric Group P1	Delivered Pricing Pallas Fabric Group P2	Delivered Pricing Pallas Fabric Group P3	Delivered Pricing Pallas Fabric Group P4
		Basic Model	Poly Solid Color	Poly Outside/Inside Color	Frame Color	Glide Option	Upholstery Color											
 <p><b>Sled Base Armless Chair</b></p> <ul style="list-style-type: none"> <li>• Solid or two-tone colored shell</li> <li>• Unlimited color match</li> <li>• 17 degrees of hip articulation</li> <li>• Task and guest chair models available</li> <li>• 400 pound approved</li> <li>• Stacking</li> </ul>	Solid Color, Polypropylene	DN3100	<input type="checkbox"/> <input type="checkbox"/> <input type="checkbox"/>		<input type="checkbox"/> <input type="checkbox"/>	<input type="checkbox"/> <input type="checkbox"/> <input type="checkbox"/>	20.00#	\$ 379										
	Solid Color, Upholstered Seat	DN3200	<input type="checkbox"/> <input type="checkbox"/> <input type="checkbox"/>		<input type="checkbox"/> <input type="checkbox"/>	<input type="checkbox"/> <input type="checkbox"/> <input type="checkbox"/> <input type="checkbox"/> <input type="checkbox"/> <input type="checkbox"/>	22.50#	N/A	528	540	562	562	571	623	643	668	704	
	Solid Color, Upholstered Seat/Back	DN3300	<input type="checkbox"/> <input type="checkbox"/> <input type="checkbox"/>		<input type="checkbox"/> <input type="checkbox"/>	<input type="checkbox"/> <input type="checkbox"/> <input type="checkbox"/> <input type="checkbox"/> <input type="checkbox"/> <input type="checkbox"/>	24.00#	N/A	565	574	597	597	607	657	678	703	738	
	Two-Tone, Polypropylene	DN3A00		<input type="checkbox"/> <input type="checkbox"/> <input type="checkbox"/> <input type="checkbox"/> <input type="checkbox"/> <input type="checkbox"/>	<input type="checkbox"/> <input type="checkbox"/>	<input type="checkbox"/> <input type="checkbox"/> <input type="checkbox"/> <input type="checkbox"/> <input type="checkbox"/> <input type="checkbox"/>	20.00#	448										
	Two-Tone, Upholstered Seat	DN3B00		<input type="checkbox"/> <input type="checkbox"/> <input type="checkbox"/> <input type="checkbox"/> <input type="checkbox"/> <input type="checkbox"/>	<input type="checkbox"/> <input type="checkbox"/>	<input type="checkbox"/> <input type="checkbox"/> <input type="checkbox"/> <input type="checkbox"/> <input type="checkbox"/> <input type="checkbox"/>	22.50#	N/A	599	609	631	631	643	693	713	737	774	

DN31  
DN32  
DN33  
DN3A  
DN3B

**HOW TO ORDER**

- Indicate the following information on order form:
1. Quantity of each item.
  2. Model number, including options. See "How To Build a Model Number".
  3. Any special service required.

Note:

- The  indicates that a choice is required.
- The absence of the  indicates that no choice is required.
- Alpha-numeric characters in place of  indicate that no other alternatives are available.

**HOW TO BUILD A MODEL NUMBER**

- A** Select basic model.
- B** Select solid poly color.  
Refer to the **Product Color Options** page in this price list.
- C** Select outside/inside poly color.  
Refer to the **Product Color Options** page in this price list.
- D** Select frame color.  
Refer to the **Product Color Options** page in this price list.
- E** Select glide option.
 

<b>GFT</b>	- Felt glides
<b>GNG</b>	- No glides
<b>GNS</b>	- Non-skid glides
<b>GPL</b>	- Plastic glides
<b>GSL</b>	- Steel glides
- F** Select upholstery grade/color.  
Refer to [ki.com/fabrics](http://ki.com/fabrics)

**UPHOLSTERY INFORMATION**

**COM. Upholstery**  
COM. requirement for 10 chairs or less with upholstered seat or upholstered seat and back is 3/4 yard per chair of 54" wide nondirectional fabric. For orders of 11 or more with upholstered seat and back and for complete information on ordering C.O.M. see "Ordering Customer's Own Material (C.O.M) Upholstery." section.


**SPECIAL SERVICES**

**Special Carton Marking**  
With specially marked information N/C

**Shipping**  
Ships **assembled, FOB Green Bay, WI 54302, freight prepaid.** Freight class 125.

Specifications and prices are subject to change without prior notice.



MODEL	Features	MODEL NUMBER						Approx. Packaged Weight	Delivered Pricing Unupholstered	Delivered Pricing Fabric Grade 1 & C.O.M.	Delivered Pricing Fabric Grade 2	Delivered Pricing Fabric Grade 3	Delivered Pricing Vinyl Group 2V	Delivered Pricing Pallas Fabric Group P0	Delivered Pricing Pallas Fabric Group P1	Delivered Pricing Pallas Fabric Group P2	Delivered Pricing Pallas Fabric Group P3	Delivered Pricing Pallas Fabric Group P4
		Basic Model	Poly Solid Color	Poly Outside/Inside Color	Frame Color	Glide Option	Upholstery Color											
 <p><b>Sled Base Arm Chair</b>                      • Solid or two-tone colored shell                      • Unlimited color match                      • 17 degrees of hip articulation                      • Task and guest chair models available                      • 400 pound approved                      • Stacking</p>	Solid Color, Polypropylene	DN3111	<input type="checkbox"/> <input type="checkbox"/> <input type="checkbox"/>		<input type="checkbox"/> <input type="checkbox"/>	<input type="checkbox"/> <input type="checkbox"/> <input type="checkbox"/>	21.50#	\$ 454										
	Solid Color, Upholstered Seat	DN3211	<input type="checkbox"/> <input type="checkbox"/> <input type="checkbox"/>		<input type="checkbox"/> <input type="checkbox"/>	<input type="checkbox"/> <input type="checkbox"/> <input type="checkbox"/> <input type="checkbox"/> <input type="checkbox"/>	24.00#	N/A	604	616	637	637	647	699	718	744	779	
	Solid Color, Upholstered Seat/Back	DN3311	<input type="checkbox"/> <input type="checkbox"/> <input type="checkbox"/>		<input type="checkbox"/> <input type="checkbox"/>	<input type="checkbox"/> <input type="checkbox"/> <input type="checkbox"/> <input type="checkbox"/> <input type="checkbox"/>	25.50#	N/A	640	650	673	673	682	733	754	778	814	
	Two-Tone, Polypropylene	DN3A11		<input type="checkbox"/> <input type="checkbox"/> <input type="checkbox"/> <input type="checkbox"/> <input type="checkbox"/> <input type="checkbox"/>	<input type="checkbox"/> <input type="checkbox"/>	<input type="checkbox"/> <input type="checkbox"/> <input type="checkbox"/> <input type="checkbox"/> <input type="checkbox"/>	21.50#	525										
	Two-Tone, Upholstered Seat	DN3B11		<input type="checkbox"/> <input type="checkbox"/> <input type="checkbox"/> <input type="checkbox"/> <input type="checkbox"/> <input type="checkbox"/>	<input type="checkbox"/> <input type="checkbox"/>	<input type="checkbox"/> <input type="checkbox"/> <input type="checkbox"/> <input type="checkbox"/> <input type="checkbox"/>	24.00#	N/A	675	685	707	707	718	769	788	813	851	

DN31  
DN32  
DN33  
DN3A  
DN3B

**HOW TO ORDER**

Indicate the following information on order form:  
 1. Quantity of each item.  
 2. Model number, including options. See "How To Build a Model Number".  
 3. Any special service required.

Note: • The  indicates that a choice is required.  
 • The absence of the  indicates that no choice is required.  
 • Alpha-numeric characters in place of  indicate that no other alternatives are available.

**HOW TO BUILD A MODEL NUMBER**

- A** Select basic model.
- B** Select solid poly color. Refer to the **Product Color Options** page in this price list.
- C** Select outside/inside poly color. Refer to the **Product Color Options** page in this price list.
- D** Select frame color. Refer to the **Product Color Options** page in this price list.
- E** Select glide option.
 

<b>GFT</b>	- Felt glides
<b>GNG</b>	- No glides
<b>GNS</b>	- Non-skid glides
<b>GPL</b>	- Plastic glides
<b>GSL</b>	- Steel glides
- F** Select upholstery grade/color. Refer to [ki.com/fabrics](http://ki.com/fabrics)

**UPHOLSTERY INFORMATION**

**COM. Upholstery**  
 COM. requirement for 10 chairs or less with upholstered seat or upholstered seat and back is 3/4 yard per chair of 54" wide nondirectional fabric. For orders of 11 or more with upholstered seat and back and for complete information on ordering C.O.M. see "Ordering Customer's Own Material (C.O.M) Upholstery." section.


**SPECIAL SERVICES**

**Special Carton Marking**  
 With specially marked information N/C

**Shipping**  
 Ships **assembled, FOB Green Bay, WI 54302, freight prepaid.** Freight class 125.

Specifications and prices are subject to change without prior notice.



MODEL	Features	MODEL NUMBER						Approx. Packaged Weight	Delivered Pricing Unupholstered	Delivered Pricing Fabric Grade 1 & C.O.M.	Delivered Pricing Fabric Grade 2	Delivered Pricing Fabric Grade 3	Delivered Pricing Vinyl Group 2V	Delivered Pricing Pallas Fabric Group P0	Delivered Pricing Pallas Fabric Group P1	Delivered Pricing Pallas Fabric Group P2	Delivered Pricing Pallas Fabric Group P3	Delivered Pricing Pallas Fabric Group P4
		Basic Model	Poly Solid Color	Poly Outside/Inside Color	Frame Color	Glide Option	Upholstery Color											
 <p><b>Sled Base Armless Ganging Chair</b></p> <ul style="list-style-type: none"> <li>• Solid or two-tone colored shell</li> <li>• Unlimited color match</li> <li>• 17 degrees of hip articulation</li> <li>• Task and guest chair models available</li> <li>• 400 pound approved</li> <li>• Stacking</li> </ul>	Solid Color, Polypropylene	DNJ100	<input type="checkbox"/> <input type="checkbox"/> <input type="checkbox"/>		<input type="checkbox"/> <input type="checkbox"/>	<input type="checkbox"/> <input type="checkbox"/> <input type="checkbox"/>	20.00#	\$ 448										
	Solid Color, Upholstered Seat	DNJ200	<input type="checkbox"/> <input type="checkbox"/> <input type="checkbox"/>		<input type="checkbox"/> <input type="checkbox"/>	<input type="checkbox"/> <input type="checkbox"/> <input type="checkbox"/> <input type="checkbox"/> <input type="checkbox"/>	22.50#	N/A	599	609	631	631	643	693	713	737	774	
	Solid Color, Upholstered Seat/Back	DNJ300	<input type="checkbox"/> <input type="checkbox"/> <input type="checkbox"/>		<input type="checkbox"/> <input type="checkbox"/>	<input type="checkbox"/> <input type="checkbox"/> <input type="checkbox"/> <input type="checkbox"/> <input type="checkbox"/>	24.00#	N/A	633	645	667	667	678	727	747	773		
	Two-Tone, Polypropylene	DNJA00		<input type="checkbox"/> <input type="checkbox"/> <input type="checkbox"/> <input type="checkbox"/> <input type="checkbox"/> <input type="checkbox"/>	<input type="checkbox"/> <input type="checkbox"/>	<input type="checkbox"/> <input type="checkbox"/> <input type="checkbox"/> <input type="checkbox"/> <input type="checkbox"/>	20.00#	520										
	Two-Tone, Upholstered Seat	DNJB00		<input type="checkbox"/> <input type="checkbox"/> <input type="checkbox"/> <input type="checkbox"/> <input type="checkbox"/> <input type="checkbox"/>	<input type="checkbox"/> <input type="checkbox"/>	<input type="checkbox"/> <input type="checkbox"/> <input type="checkbox"/> <input type="checkbox"/> <input type="checkbox"/>	22.50#	N/A	670	680	701	701	713	761	782	809	843	

DNJ1  
DNJ2  
DNJ3  
DNJA  
DNJB

**HOW TO ORDER**

- Indicate the following information on order form:
1. Quantity of each item.
  2. Model number, including options. See "How To Build a Model Number".
  3. Any special service required.

Note:

- The  indicates that a choice is required.
- The absence of the  indicates that no choice is required.
- Alpha-numeric characters in place of  indicate that no other alternatives are available.

**HOW TO BUILD A MODEL NUMBER**

- A** Select basic model.
- B** Select solid poly color. Refer to the **Product Color Options** page in this price list.
- C** Select outside/inside poly color. Refer to the **Product Color Options** page in this price list.
- D** Select frame color. Refer to the **Product Color Options** page in this price list.
- E** Select glide option.
 

<b>GFT</b>	- Felt glides
<b>GNG</b>	- No glides
<b>GNS</b>	- Non-skid glides
<b>GPL</b>	- Plastic glides
<b>GSL</b>	- Steel glides
- F** Select upholstery grade/color. Refer to [ki.com/fabrics](http://ki.com/fabrics)

**UPHOLSTERY INFORMATION**

**COM. Upholstery**  
COM. requirement for 10 chairs or less with upholstered seat or upholstered seat and back is 3/4 yard per chair of 54" wide nondirectional fabric. For orders of 11 or more with upholstered seat and back and for complete information on ordering C.O.M. see "Ordering Customer's Own Material (C.O.M) Upholstery." section.

**SPECIAL SERVICES**

**Special Carton Marking**  
With specially marked information N/C

**Shipping**  
Ships **assembled, FOB Green Bay, WI 54302, freight prepaid.** Freight class 125.

Specifications and prices are subject to change without prior notice.



Features	MODEL NUMBER							Approx. Packaged Weight	Delivered Pricing Unupholstered	Delivered Pricing Fabric Grade 1 & C.O.M.	Delivered Pricing Fabric Grade 2	Delivered Pricing Fabric Grade 3	Delivered Pricing Vinyl Group 2V	Delivered Pricing Pallas Fabric Group P0	Delivered Pricing Pallas Fabric Group P1	Delivered Pricing Pallas Fabric Group P2	Delivered Pricing Pallas Fabric Group P3
	Basic Model	Poly Solid Color	Poly Outside/Inside Color	Frame Color	Glide Option	Tablet Arm Color	Upholstery Color										
Solid Color, Polypropylene, Left Hand	DN119L	<input type="checkbox"/> <input type="checkbox"/> <input type="checkbox"/>		<input type="checkbox"/> <input type="checkbox"/>	<input type="checkbox"/> <input type="checkbox"/> <input type="checkbox"/>	<input type="checkbox"/> <input type="checkbox"/> <input type="checkbox"/>		29.00#	\$ 860								
Solid Color, Polypropylene, Right Hand	DN119R	<input type="checkbox"/> <input type="checkbox"/> <input type="checkbox"/>		<input type="checkbox"/> <input type="checkbox"/>	<input type="checkbox"/> <input type="checkbox"/> <input type="checkbox"/>	<input type="checkbox"/> <input type="checkbox"/> <input type="checkbox"/>		40.50#	860								
Solid Color, Upholstered Seat, Left Hand	DN129L	<input type="checkbox"/> <input type="checkbox"/> <input type="checkbox"/>		<input type="checkbox"/> <input type="checkbox"/>	<input type="checkbox"/> <input type="checkbox"/> <input type="checkbox"/>	<input type="checkbox"/> <input type="checkbox"/> <input type="checkbox"/>	<input type="checkbox"/> <input type="checkbox"/> <input type="checkbox"/> <input type="checkbox"/> <input type="checkbox"/>	43.50#	N/A	1010	1021	1043	1043	1052	1103	1124	1148
Solid Color, Upholstered Seat, Right Hand	DN129R	<input type="checkbox"/> <input type="checkbox"/> <input type="checkbox"/>		<input type="checkbox"/> <input type="checkbox"/>	<input type="checkbox"/> <input type="checkbox"/> <input type="checkbox"/>	<input type="checkbox"/> <input type="checkbox"/> <input type="checkbox"/>	<input type="checkbox"/> <input type="checkbox"/> <input type="checkbox"/> <input type="checkbox"/> <input type="checkbox"/>	43.50#	N/A	1010	1021	1043	1043	1052	1103	1124	1148
Solid Color, Upholstered Seat/Back, Left Hand	DN139L	<input type="checkbox"/> <input type="checkbox"/> <input type="checkbox"/>		<input type="checkbox"/> <input type="checkbox"/>	<input type="checkbox"/> <input type="checkbox"/> <input type="checkbox"/>	<input type="checkbox"/> <input type="checkbox"/> <input type="checkbox"/>	<input type="checkbox"/> <input type="checkbox"/> <input type="checkbox"/> <input type="checkbox"/> <input type="checkbox"/>	45.50#	N/A	1045	1058	1077	1077	1088	1140	1159	1183
Solid Color, Upholstered Seat/Back, Right Hand	DN139R	<input type="checkbox"/> <input type="checkbox"/> <input type="checkbox"/>		<input type="checkbox"/> <input type="checkbox"/>	<input type="checkbox"/> <input type="checkbox"/> <input type="checkbox"/>	<input type="checkbox"/> <input type="checkbox"/> <input type="checkbox"/>	<input type="checkbox"/> <input type="checkbox"/> <input type="checkbox"/> <input type="checkbox"/> <input type="checkbox"/>	45.50#	N/A	1045	1058	1077	1077	1088	1140	1159	1183
Two-Tone, Polypropylene, Left Hand	DN1A9L		<input type="checkbox"/> <input type="checkbox"/> <input type="checkbox"/> <input type="checkbox"/> <input type="checkbox"/> <input type="checkbox"/>	<input type="checkbox"/> <input type="checkbox"/>	<input type="checkbox"/> <input type="checkbox"/> <input type="checkbox"/>	<input type="checkbox"/> <input type="checkbox"/> <input type="checkbox"/>		40.50#	932								
Two-Tone, Polypropylene, Right Hand	DN1A9R		<input type="checkbox"/> <input type="checkbox"/> <input type="checkbox"/> <input type="checkbox"/> <input type="checkbox"/> <input type="checkbox"/>	<input type="checkbox"/> <input type="checkbox"/>	<input type="checkbox"/> <input type="checkbox"/> <input type="checkbox"/>	<input type="checkbox"/> <input type="checkbox"/> <input type="checkbox"/>		41.00#	932								
Two-Tone, Upholstered Seat, Left Hand	DN1B9L		<input type="checkbox"/> <input type="checkbox"/> <input type="checkbox"/> <input type="checkbox"/> <input type="checkbox"/> <input type="checkbox"/>	<input type="checkbox"/> <input type="checkbox"/>	<input type="checkbox"/> <input type="checkbox"/> <input type="checkbox"/>	<input type="checkbox"/> <input type="checkbox"/> <input type="checkbox"/>	<input type="checkbox"/> <input type="checkbox"/> <input type="checkbox"/> <input type="checkbox"/> <input type="checkbox"/>	43.50#	N/A	1080	1092	1112	1112	1124	1174	1194	1219
Two-Tone, Upholstered Seat, Right Hand	DN1B9R		<input type="checkbox"/> <input type="checkbox"/> <input type="checkbox"/> <input type="checkbox"/> <input type="checkbox"/> <input type="checkbox"/>	<input type="checkbox"/> <input type="checkbox"/>	<input type="checkbox"/> <input type="checkbox"/> <input type="checkbox"/>	<input type="checkbox"/> <input type="checkbox"/> <input type="checkbox"/>	<input type="checkbox"/> <input type="checkbox"/> <input type="checkbox"/> <input type="checkbox"/> <input type="checkbox"/>	43.50#	N/A	1080	1092	1112	1112	1124	1174	1194	1219
<b>Four-Leg ChangeUp Tablet Arm Chair with Glides</b>																	
<ul style="list-style-type: none"> <li>• Solid or two-tone colored shell</li> <li>• Unlimited color match</li> <li>• 17 degrees of hip articulation</li> <li>• Large work surface (21"W x 13.3"D)</li> <li>• Work surface flips and folds</li> <li>• Work surface has 20 degrees of ingress/egress movement</li> <li>• Work surface rated to 250 pounds</li> <li>• Chair rated to 400 pounds</li> </ul>																	
		<b>A</b>	<b>B</b>	<b>C</b>	<b>D</b>	<b>E</b>	<b>F</b>	<b>G</b>									



DN11  
DN12  
DN13  
DN1A  
DN1B

**Four-Leg ChangeUp Tablet Arm Chair with Glides**

- Solid or two-tone colored shell
- Unlimited color match
- 17 degrees of hip articulation
- Large work surface (21"W x 13.3"D)
- Work surface flips and folds
- Work surface has 20 degrees of ingress/egress movement
- Work surface rated to 250 pounds
- Chair rated to 400 pounds

**HOW TO ORDER**

- Indicate the following information on order form:
1. Quantity of each item.
  2. Model number, including options. See "How To Build a Model Number".
  3. Any special service required.

Note: • The  indicates that a choice is required.  
• The absence of the  indicates that no choice is required.  
• Alpha-numeric characters in place of  indicate that no other alternatives are available.

**HOW TO BUILD A MODEL NUMBER**

**G** Select upholstery grade/color. Refer to [ki.com/fabrics](http://ki.com/fabrics)

- A** Select basic model.
- B** Select solid poly color. Refer to the **Product Color Options** page in this price list.
- C** Select outside/inside poly color. Refer to the **Product Color Options** page in this price list.
- D** Select frame color. Refer to the **Product Color Options** page in this price list.
- E** Select glide option.
  - GFT** - Felt glides
  - GPL** - Plastic glides
  - GSL** - Steel glides
- F** Select tablet arm color. Refer to the **Product Color Options** page in this price list.

**UPHOLSTERY INFORMATION**

**COM. Upholstery**  
COM. requirement for 10 chairs or less with upholstered seat or upholstered seat and back is 3/4 yard per chair of 54" wide nondirectional fabric. For orders of 11 or more with upholstered seat and back and for complete information on ordering C.O.M. see "Ordering Customer's Own Material (C.O.M) Upholstery." section.

**SPECIAL SERVICES**

**Special Carton Marking**

With specially marked information N/C

**Shipping**  
Ships **assembled, FOB Green Bay, WI 54302, freight prepaid.** Freight class 125.

Specifications and prices are subject to change without prior notice.



Features	MODEL NUMBER							Approx. Packaged Weight	Delivered Pricing Unupholstered	Delivered Pricing Fabric Grade 1 & C.O.M.	Delivered Pricing Fabric Grade 2	Delivered Pricing Fabric Grade 3	Delivered Pricing Vinyl Group 2V	Delivered Pricing Pallas Fabric Group P0	Delivered Pricing Pallas Fabric Group P1	Delivered Pricing Pallas Fabric Group P2	Delivered Pricing Pallas Fabric Group P3
	Basic Model	Poly Solid Color	Poly Outside/Inside Color	Frame Color	Caster Type	Tablet Arm Color	Upholstery Color										
Solid Color, Polypropylene, Left Hand	DN219L	<input type="checkbox"/> <input type="checkbox"/> <input type="checkbox"/>		<input type="checkbox"/> <input type="checkbox"/>	<input type="checkbox"/> <input type="checkbox"/> <input type="checkbox"/>	<input type="checkbox"/> <input type="checkbox"/> <input type="checkbox"/>		41.00#	\$ 910								
Solid Color, Polypropylene, Right Hand	DN219R	<input type="checkbox"/> <input type="checkbox"/> <input type="checkbox"/>		<input type="checkbox"/> <input type="checkbox"/>	<input type="checkbox"/> <input type="checkbox"/> <input type="checkbox"/>	<input type="checkbox"/> <input type="checkbox"/> <input type="checkbox"/>		41.00#	910								
Solid Color, Upholstered Seat, Left Hand	DN229L	<input type="checkbox"/> <input type="checkbox"/> <input type="checkbox"/>		<input type="checkbox"/> <input type="checkbox"/>	<input type="checkbox"/> <input type="checkbox"/> <input type="checkbox"/>	<input type="checkbox"/> <input type="checkbox"/> <input type="checkbox"/>	<input type="checkbox"/> <input type="checkbox"/> <input type="checkbox"/> <input type="checkbox"/> <input type="checkbox"/> <input type="checkbox"/>	44.00#	N/A	1060	1069	1092	1092	1102	1152	1173	1199
Solid Color, Upholstered Seat, Right Hand	DN229R	<input type="checkbox"/> <input type="checkbox"/> <input type="checkbox"/>		<input type="checkbox"/> <input type="checkbox"/>	<input type="checkbox"/> <input type="checkbox"/> <input type="checkbox"/>	<input type="checkbox"/> <input type="checkbox"/> <input type="checkbox"/>	<input type="checkbox"/> <input type="checkbox"/> <input type="checkbox"/> <input type="checkbox"/> <input type="checkbox"/> <input type="checkbox"/>	44.00#	N/A	1060	1069	1092	1092	1102	1152	1173	1199
Solid Color, Upholstered Seat/Back, Left Hand	DN239L	<input type="checkbox"/> <input type="checkbox"/> <input type="checkbox"/>		<input type="checkbox"/> <input type="checkbox"/>	<input type="checkbox"/> <input type="checkbox"/> <input type="checkbox"/>	<input type="checkbox"/> <input type="checkbox"/> <input type="checkbox"/>	<input type="checkbox"/> <input type="checkbox"/> <input type="checkbox"/> <input type="checkbox"/> <input type="checkbox"/> <input type="checkbox"/>	46.00#	N/A	1095	1105	1127	1127	1138	1187	1207	1232
Solid Color, Upholstered Seat/Back, Right Hand	DN239R	<input type="checkbox"/> <input type="checkbox"/> <input type="checkbox"/>		<input type="checkbox"/> <input type="checkbox"/>	<input type="checkbox"/> <input type="checkbox"/> <input type="checkbox"/>	<input type="checkbox"/> <input type="checkbox"/> <input type="checkbox"/>	<input type="checkbox"/> <input type="checkbox"/> <input type="checkbox"/> <input type="checkbox"/> <input type="checkbox"/> <input type="checkbox"/>	46.00#	N/A	1095	1105	1127	1127	1138	1187	1207	1232
Two-Tone, Polypropylene, Left Hand	DN2A9L		<input type="checkbox"/> <input type="checkbox"/> <input type="checkbox"/> <input type="checkbox"/> <input type="checkbox"/> <input type="checkbox"/>	<input type="checkbox"/> <input type="checkbox"/>	<input type="checkbox"/> <input type="checkbox"/> <input type="checkbox"/>	<input type="checkbox"/> <input type="checkbox"/> <input type="checkbox"/>		41.00#	981								
Two-Tone, Polypropylene, Right Hand	DN2A9R		<input type="checkbox"/> <input type="checkbox"/> <input type="checkbox"/> <input type="checkbox"/> <input type="checkbox"/> <input type="checkbox"/>	<input type="checkbox"/> <input type="checkbox"/>	<input type="checkbox"/> <input type="checkbox"/> <input type="checkbox"/>	<input type="checkbox"/> <input type="checkbox"/> <input type="checkbox"/>		41.00#	981								
Two-Tone, Upholstered Seat, Left Hand	DN2B9L		<input type="checkbox"/> <input type="checkbox"/> <input type="checkbox"/> <input type="checkbox"/> <input type="checkbox"/> <input type="checkbox"/>	<input type="checkbox"/> <input type="checkbox"/>	<input type="checkbox"/> <input type="checkbox"/> <input type="checkbox"/>	<input type="checkbox"/> <input type="checkbox"/> <input type="checkbox"/>	<input type="checkbox"/> <input type="checkbox"/> <input type="checkbox"/> <input type="checkbox"/> <input type="checkbox"/> <input type="checkbox"/>	46.00#	N/A	1129	1141	1163	1163	1173	1223	1243	1269
Two-Tone, Upholstered Seat, Right Hand	DN2B9R		<input type="checkbox"/> <input type="checkbox"/> <input type="checkbox"/> <input type="checkbox"/> <input type="checkbox"/> <input type="checkbox"/>	<input type="checkbox"/> <input type="checkbox"/>	<input type="checkbox"/> <input type="checkbox"/> <input type="checkbox"/>	<input type="checkbox"/> <input type="checkbox"/> <input type="checkbox"/>	<input type="checkbox"/> <input type="checkbox"/> <input type="checkbox"/> <input type="checkbox"/> <input type="checkbox"/> <input type="checkbox"/>	44.00#	N/A	1129	1141	1163	1163	1173	1223	1243	1269



DN21  
DN22  
DN23  
DN2A  
DN2B

**Four-Leg ChangeUp Tablet Arm Chair with Casters**

- Solid or two-tone colored shell
- Unlimited color match
- 17 degrees of hip articulation
- Large work surface (21"W x 13.3"D)
- Work surface flips and folds
- Work surface has 20 degrees of ingress/egress movement
- Work surface rated to 250 pounds

**A** **B** **C** **D** **E** **F** **G**

**HOW TO ORDER**

Indicate the following information on order form:  
 1. Quantity of each item.  
 2. Model number, including options. See "How To Build a Model Number".  
 3. Any special service required.

Note: • The  indicates that a choice is required.  
 • The absence of the  indicates that no choice is required.  
 • Alpha-numeric characters in place of  indicate that no other alternatives are available.

**HOW TO BUILD A MODEL NUMBER** Refer to [ki.com/fabrics](http://ki.com/fabrics)

- A** Select basic model.
- B** Select solid poly color. Refer to the **Product Color Options** page in this price list.
- C** Select outside/inside poly color. Refer to the **Product Color Options** page in this price list.
- D** Select frame color. Refer to the **Product Color Options** page in this price list.
- E** Select casters.  
 CHC \_\_\_\_\_ - Hard floor casters  
 CCC \_\_\_\_\_ - Carpet casters
- F** Select tablet arm color. Refer to the **Product Color Options** page in this price list.
- G** Select upholstery grade/color.

**UPHOLSTERY INFORMATION**

**COM. Upholstery**  
 COM. requirement for 10 chairs or less with upholstered seat or upholstered seat and back is 3/4 yard per chair of 54" wide nondirectional fabric. For orders of 11 or more with upholstered seat and back and for complete information on ordering C.O.M. see "Ordering Customer's Own Material (C.O.M) Upholstery." section.

**SPECIAL SERVICES**

**Special Carton Marking**  
 With specially marked information N/C

**Shipping**  
 Ships **assembled, FOB Green Bay, WI 54302, freight prepaid.** Freight class 125.

Specifications and prices are subject to change without prior notice.



Features	MODEL NUMBER							Approx. Packaged Weight	Delivered Pricing Unupholstered	Delivered Pricing Fabric Grade 1 & C.O.M.	Delivered Pricing Fabric Grade 2	Delivered Pricing Fabric Grade 3	Delivered Pricing Vinyl Group 2V	Delivered Pricing Pallas Fabric Group P0	Delivered Pricing Pallas Fabric Group P1	Delivered Pricing Pallas Fabric Group P2	Delivered Pricing Pallas Fabric Group P3
	Basic Model	Poly Solid Color	Poly Outside/Inside Color	Frame Color	Glide Option	Tablet Arm Color	Upholstery Color										
Solid Color, Polypropylene, Left Hand	DN319L	<input type="checkbox"/> <input type="checkbox"/> <input type="checkbox"/>		<input type="checkbox"/> <input type="checkbox"/>	<input type="checkbox"/> <input type="checkbox"/> <input type="checkbox"/>	<input type="checkbox"/> <input type="checkbox"/>		42.50#	\$ 874								
Solid Color, Polypropylene, Right Hand	DN319R	<input type="checkbox"/> <input type="checkbox"/> <input type="checkbox"/>		<input type="checkbox"/> <input type="checkbox"/>	<input type="checkbox"/> <input type="checkbox"/> <input type="checkbox"/>	<input type="checkbox"/> <input type="checkbox"/>		42.50#	874								
Solid Color, Upholstered Seat, Left Hand	DN329L	<input type="checkbox"/> <input type="checkbox"/> <input type="checkbox"/>		<input type="checkbox"/> <input type="checkbox"/>	<input type="checkbox"/> <input type="checkbox"/> <input type="checkbox"/>	<input type="checkbox"/> <input type="checkbox"/>	<input type="checkbox"/> <input type="checkbox"/> <input type="checkbox"/> <input type="checkbox"/> <input type="checkbox"/>	45.50#	N/A	1024	1035	1058	1058	1067	1118	1138	1164
Solid Color, Upholstered Seat, Right Hand	DN329R	<input type="checkbox"/> <input type="checkbox"/> <input type="checkbox"/>		<input type="checkbox"/> <input type="checkbox"/>	<input type="checkbox"/> <input type="checkbox"/> <input type="checkbox"/>	<input type="checkbox"/> <input type="checkbox"/>	<input type="checkbox"/> <input type="checkbox"/> <input type="checkbox"/> <input type="checkbox"/> <input type="checkbox"/>	45.50#	N/A	1024	1035	1058	1058	1067	1118	1138	1164
Solid Color, Upholstered Seat/Back, Left Hand	DN339L	<input type="checkbox"/> <input type="checkbox"/> <input type="checkbox"/>		<input type="checkbox"/> <input type="checkbox"/>	<input type="checkbox"/> <input type="checkbox"/> <input type="checkbox"/>	<input type="checkbox"/> <input type="checkbox"/>	<input type="checkbox"/> <input type="checkbox"/> <input type="checkbox"/> <input type="checkbox"/> <input type="checkbox"/>	47.50#	N/A	1060	1069	1092	1092	1102	1152	1173	1199
Solid Color, Upholstered Seat/Back, Right Hand	DN339R	<input type="checkbox"/> <input type="checkbox"/> <input type="checkbox"/>		<input type="checkbox"/> <input type="checkbox"/>	<input type="checkbox"/> <input type="checkbox"/> <input type="checkbox"/>	<input type="checkbox"/> <input type="checkbox"/>	<input type="checkbox"/> <input type="checkbox"/> <input type="checkbox"/> <input type="checkbox"/> <input type="checkbox"/>	47.50#	N/A	1060	1069	1092	1092	1102	1152	1173	1199
Two-Tone, Polypropylene, Left Hand	DN3A9L		<input type="checkbox"/> <input type="checkbox"/> <input type="checkbox"/> <input type="checkbox"/> <input type="checkbox"/> <input type="checkbox"/>	<input type="checkbox"/> <input type="checkbox"/>	<input type="checkbox"/> <input type="checkbox"/> <input type="checkbox"/>	<input type="checkbox"/> <input type="checkbox"/>		42.50#	944								
Two-Tone, Polypropylene, Right Hand	DN3A9R		<input type="checkbox"/> <input type="checkbox"/> <input type="checkbox"/> <input type="checkbox"/> <input type="checkbox"/> <input type="checkbox"/>	<input type="checkbox"/> <input type="checkbox"/>	<input type="checkbox"/> <input type="checkbox"/> <input type="checkbox"/>	<input type="checkbox"/> <input type="checkbox"/>		42.50#	944								
Two-Tone, Upholstered Seat, Left Hand	DN3B9L		<input type="checkbox"/> <input type="checkbox"/> <input type="checkbox"/> <input type="checkbox"/> <input type="checkbox"/> <input type="checkbox"/>	<input type="checkbox"/> <input type="checkbox"/>	<input type="checkbox"/> <input type="checkbox"/> <input type="checkbox"/>	<input type="checkbox"/> <input type="checkbox"/>	<input type="checkbox"/> <input type="checkbox"/> <input type="checkbox"/> <input type="checkbox"/> <input type="checkbox"/>	45.50#	N/A	1095	1105	1127	1127	1138	1187	1207	1232
Two-Tone, Upholstered Seat, Right Hand	DN3B9R		<input type="checkbox"/> <input type="checkbox"/> <input type="checkbox"/> <input type="checkbox"/> <input type="checkbox"/> <input type="checkbox"/>	<input type="checkbox"/> <input type="checkbox"/>	<input type="checkbox"/> <input type="checkbox"/> <input type="checkbox"/>	<input type="checkbox"/> <input type="checkbox"/>	<input type="checkbox"/> <input type="checkbox"/> <input type="checkbox"/> <input type="checkbox"/> <input type="checkbox"/>	47.50#	N/A	1095	1105	1127	1127	1138	1187	1207	1232
<b>Sled Base ChangeUp Tablet Arm Chair</b>																	



DN31  
DN32  
DN33  
DN3A  
DN3B

- Solid or two-tone colored shell
- Unlimited color match
- 17 degrees of hip articulation
- Large work surface (21"W x 13.3"D)
- Work surface flips and folds
- Work surface has 20 degrees of ingress/egress movement
- Work surface rated to 250 pounds
- Chair rated to 400 pounds

**A** **B** **C** **D** **E** **F** **G**

**HOW TO ORDER**

Indicate the following information on order form:  
 1. Quantity of each item.  
 2. Model number, including options. See "How To Build a Model Number".  
 3. Any special service required.

Note: • The  indicates that a choice is required.  
 • The absence of the  indicates that no choice is required.  
 • Alpha-numeric characters in place of  indicate that no other alternatives are available.

**HOW TO BUILD A MODEL NUMBER**

- price list.
- A** Select basic model.
  - B** Select solid poly color. Refer to the **Product Color Options** page in this price list.
  - C** Select outside/inside poly color. Refer to the **Product Color Options** page in this price list.
  - D** Select frame color. Refer to the **Product Color Options** page in this price list.
  - E** Select glide option.
    - GFT** - Felt glides
    - GNG** - No glides
    - GNS** - Non-skid glides
    - GPL** - Plastic glides
    - GSL** - Steel glides
  - F** Select tablet arm color. Refer to the **Product Color Options** page in this price list.
  - G** Select upholstery grade/color. Refer to [ki.com/fabrics](http://ki.com/fabrics)

**UPHOLSTERY INFORMATION**

**COM. Upholstery**  
 COM. requirement for 10 chairs or less with upholstered seat or upholstered seat and back is 3/4 yard per chair of 54" wide nondirectional fabric. For orders of 11 or more with upholstered seat and back and for complete information on ordering C.O.M. see "Ordering Customer's Own Material (C.O.M) Upholstery." section.

**SPECIAL SERVICES**

**Special Carton Marking**  
 With specially marked information N/C


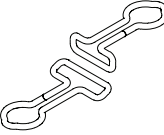
**Shipping**  
 Ships **assembled, FOB Green Bay, WI 54302, freight prepaid.** Freight class 125.

Specifications and prices are subject to change without prior notice.







MODEL	MODEL NUMBER		Approx. Packaged Weight	Delivered Pricing
	Basic Model			
 <p><b>Transport Dolly</b></p> <ul style="list-style-type: none"> <li>• Black powder-coat finish</li> </ul>	DNCD.BL		43.00#	\$ 597
 <p><b>Ganger Kit</b></p> <ul style="list-style-type: none"> <li>• Includes one male and one female ganger loop per kit</li> <li>• All necessary hardware included</li> <li>• Each part is installed under the chair</li> <li>• Assembly instructions provided</li> <li>• Gangers are field installable</li> <li>• 1 kit required per chair</li> </ul>	DGK		0.00#	\$ 71

DNA01

DNA01

**A**

**HOW TO ORDER**

- Indicate the following information on order form:
1. Quantity of each item.
  2. Model number, including options. See "How To Build a Model Number".
  3. Any special service required.

- Note:
- The  indicates that a choice is required.
  - The absence of the  indicates that no choice is required.
  - Alpha-numeric characters in place of  indicate that no other alternatives are available.

**HOW TO BUILD A MODEL NUMBER**

- A** Select basic model.

**SPECIAL SERVICES**

**Special Carton Marking**

With specially marked information N/C

**Shipping**

Ships assembled, FOB Green Bay, WI 54302, freight prepaid. Freight class 125.

Specifications and prices are subject to change without prior notice.



Armless Task Chair

Task Armchair

ChangeUp Tablet Arm Task Chair

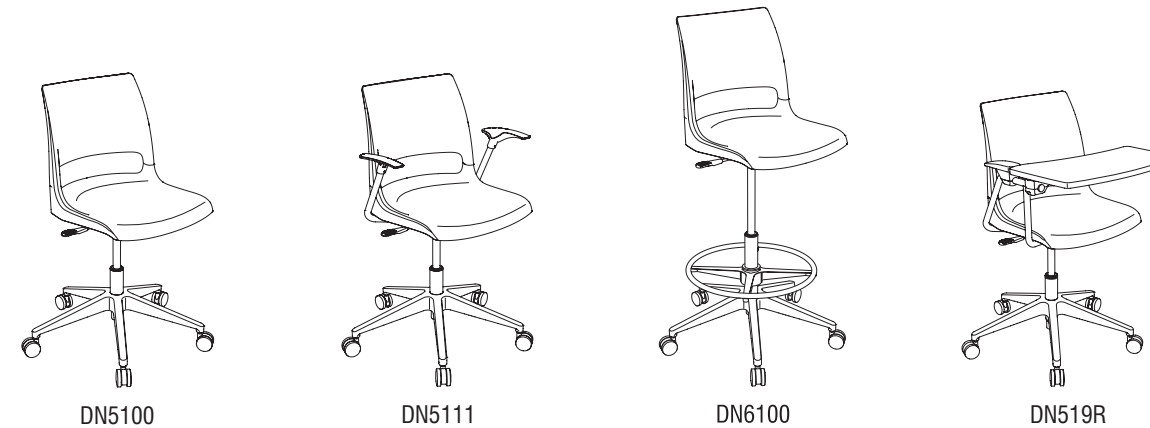
Armless Task Stool

Task Arm Stool

Features					
Poly, upholstered seat, or upholstered seat/back	•	•	•	•	•
General Dimensions					
Seat width	19-1/4"	19-1/4"	19-1/4"	19-1/4"	19-1/4"
Seat depth	18-3/4"	18-3/4"	18-3/4"	18-3/4"	18-3/4"
Seat height (upholstered - add 1")	17-1/2" - 22-1/2"	17-1/2" - 22-1/2"	17-1/2" - 22-1/2"	22-1/2" - 32-3/4"	22-1/2" - 32-3/4"
Overall Dimensions					
Width	27-1/2"	27-1/2"	27-1/2"	27-1/2"	27-1/2"
Depth	27-1/2"	27-1/2"	27-1/2"	27-1/2"	27-1/2"
Height	33-1/4" - 38-1/4"	33-1/4" - 38-1/4"	33-1/4" - 38-1/4"	38-1/4" - 48-1/2"	38-1/4" - 48-1/2"
Arms to floor		26" - 31"			31" - 41-1/4"

## STATEMENT OF LINE

All models are available in polypropylene seat/backrest, upholstered seat/ polypropylene backrest, or upholstered seat/backrest.



DN5100

DN5111

DN6100

DN519R

### INFORMATION

#### C.O.M. Testing and Production Requirements

Not all materials are suitable for upholstering this product. A 1 yd. x 54" sample must be submitted and approved prior to acceptance of an order. If the fabric is directional in pattern or weave, the direction must be indicated on the submitted sample, and additional yardage may be requested.

Test samples must be sent to:

KI  
Attn: C.O.M. Specialist  
1687 Westminster Drive - Gate 3  
Green Bay, WI 54302

#### Design

Designed by Giancarlo Piretti and manufactured in the USA by Krueger International, Inc. under license from Pro-Cord S.p.A

#### KI Color Match Program

KI offers the additional option of color matching paint, polypropylene, or wood stain through Product Modification Requests. Contact Customer Service for details.

Whatever you imagine, whatever you require, KI's Color Match program lets you pick your color!

[Color Match Process - Poly Seating Information can be found here.](#)

### INFORMATION

#### Warranty

Refer to KI Terms & Conditions document or visit [ki.com](http://ki.com)



### Seat Shell and Backrest Articulation Mechanism

The backrest and seat are injection-molded polypropylene. The seat and backrest are joined by a pair of hidden articulation mechanisms, each consisting of a 14-gauge steel housing, twin 7-gauge levers and steel coil springs. While maintaining a one-piece shell appearance, this mechanism allows the backrest to recline up to 17-degrees of motion.

### Optional Upholstered Seat and Back

Urethane foam is attached to an injection-molded polypropylene liner board, then upholstered using a draw-string process. Seat foam is molded nominal 1" thickness, and back foam is nominal 1/2" thickness. The flush-head fasteners that attach the back pad are color-matched to the polypropylene.

### Under-Seat Structure

Support structure is a die-drawn 12-gauge steel plate. Structure is finished with baked-on electrostatically-applied 30-degree gloss epoxy powder-coat paint coordinated with base selection.

### Arms

Optional armrests are available. When equipped with arms, a support structure is 7/8" O.D. by 13-gauge tubular steel welded directly to the seat structure plate. The steel support tube is inserted into a socket molded into the armrest, and secured with a screw. Armrests are molded from glass-reinforced polypropylene. Structure and armrests are Warm Grey when Warm Grey base is selected, or Black when Black or aluminum is selected.

### Base

The base is a 26" injection-molded glass-reinforced nylon 5-blade base. A single paddle under the seat operates the height-adjusting pneumatic cylinder. Standard chair base and cylinder available in Black or Warm Grey. Standard stool base available in Black or Warm Grey. Standard stool cylinder available in Black only. An optional polished die-cast aluminum 5-blade base is also available on both chairs and stools.

### Casters

Casters are 60 mm O.D., double-wheel, high-impact thermoplastic and are available with hard (warm grey or black) or soft (black only) wheel surface.

### Foot Ring

Task stools are equipped with a twist-to-lock, adjustable-height, 20" diameter chrome-plated steel foot ring with black, die-cast aluminum hub and spokes.

### ChangeUp™ Tablet Arm

ChangeUp tablet support is integral to the chair frame and consists of a 7/8" diameter solid steel rod welded to the front and rear support tubes. A three-piece molded plastic armrest is included and attached to the chair frame using a #10 x 2 1/2" Phillips pan head tapping screw.

The tablet mechanism consists a die-cast aluminum housing, upper and lower plastic bearings, and 11-gauge steel clamp and tablet board support plates. The tablet mechanism is clamped onto the chair frame over two plastic bushing halves and a 5/16" diameter by 1 3/4" hardened steel pin with a die-cast aluminum cap secured with two 1/4-20 x 3/4" button socket head cap screws. The pin creates a solid 90° up/down pivot stop and the bushings provide a smooth, quiet operation. In the use position, the tablet mechanism rotates outward from the chair back an additional 20° and permits approximately 3 1/2" of adjustment for ingress/egress without stowing the tablet.

The tablet worksurface is 21" wide by 13 1/2" deep (235 square inches) is secured to the tablet board support plate with twelve #12 x 5/8" Phillips flat head tapping screws. The tablet board is made of 18 mm Baltic Birch plywood with .040" high-pressure laminate top surface and .02" thick phenolic backer surface for an overall board thickness of approximately 3/4". Edges are lacquered with a clear finish and sealed. The factory installed tablet assembly is not field installable and may not be removed.

### Weight Rating

ChangeUp tablet arm can support a 250 lb static load

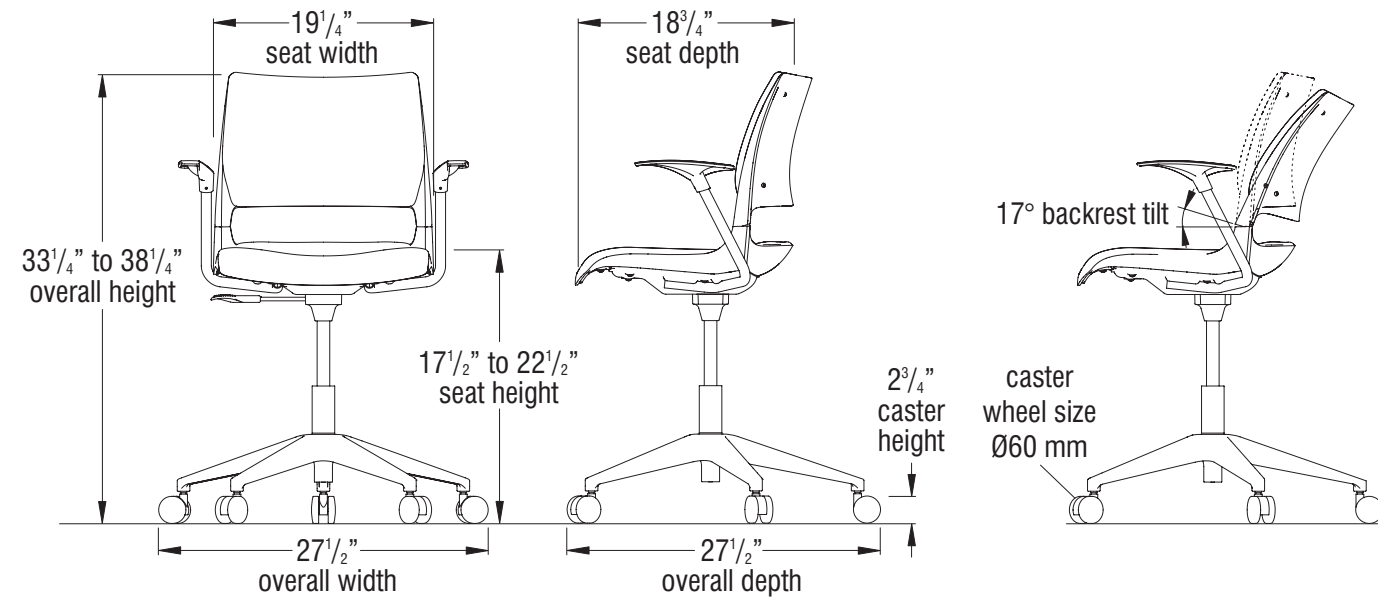
### Compliance

Doni seating is designed and manufactured to meet or exceed required ANSI/BIFMA X5.1-2011 Seating. Seat functional weight rating for Doni task chair is 400 lb, and seat functional weight rating for Doni task stool is 350 lb, as conducted by and within KI's Accredited Test Lab.

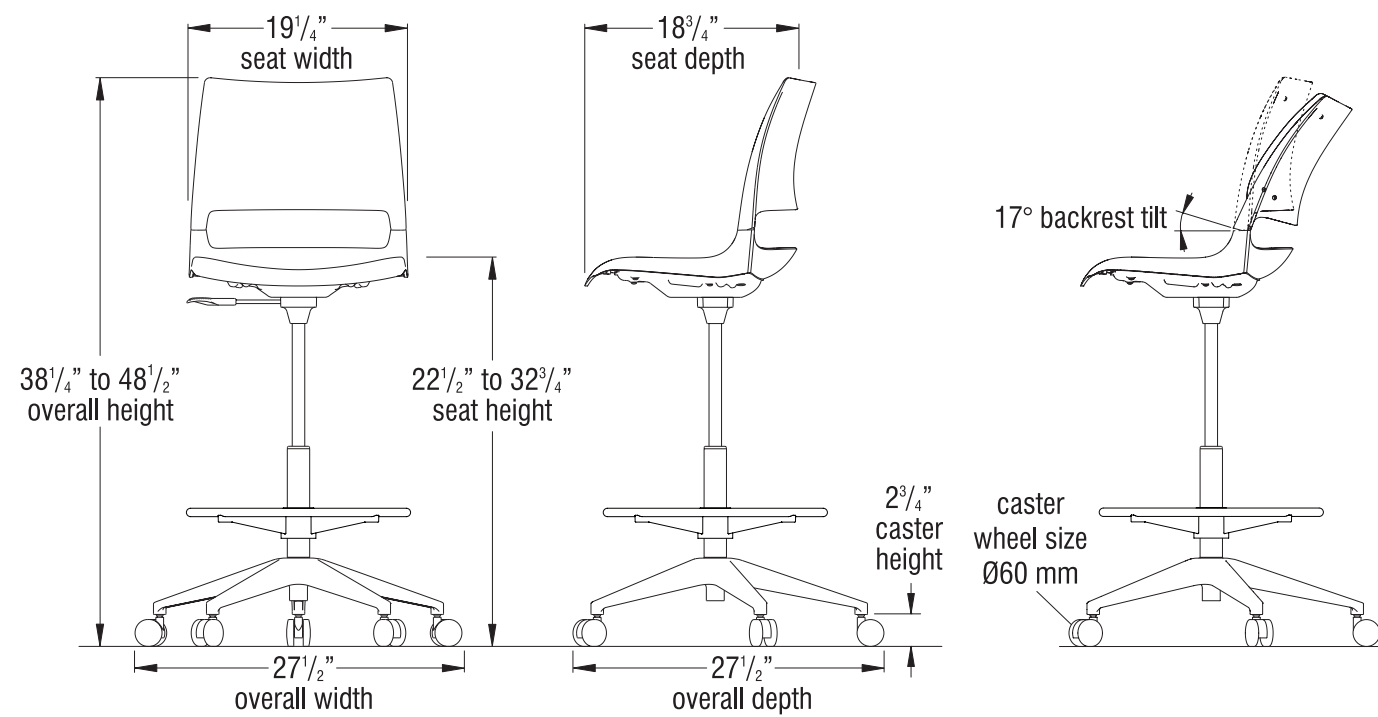


**DIMENSIONS**

**Doni Task Armchair**

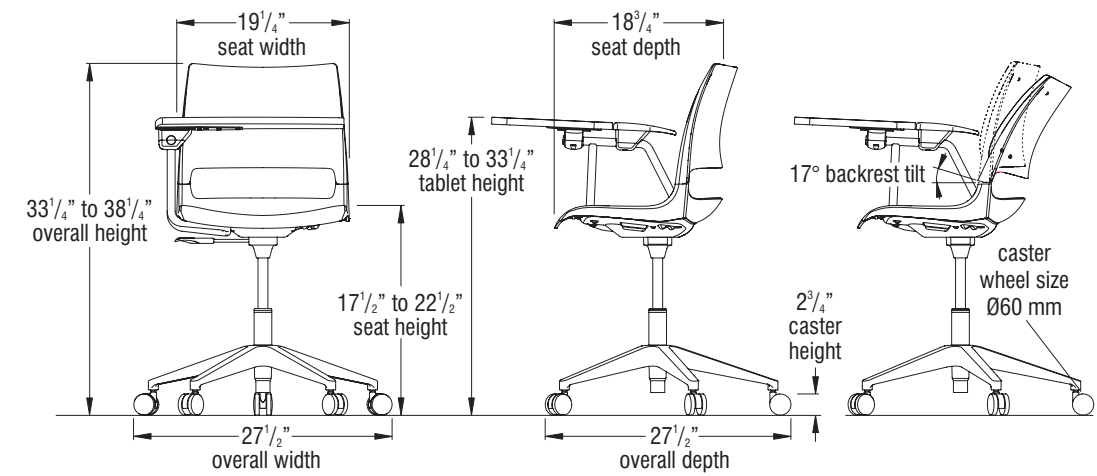


**Doni Armless Stool**

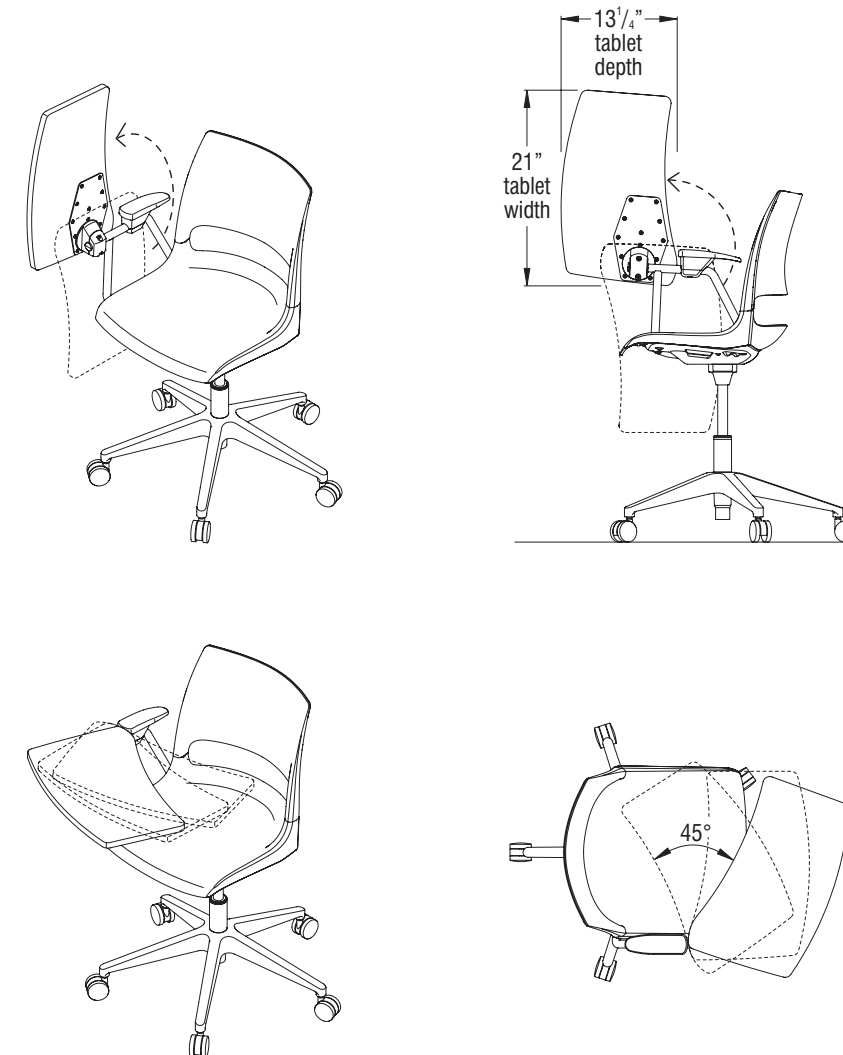


**DIMENSIONS**

**Doni ChangeUp Tablet Arm Task Chair**



**ChangeUp Tablet Arm**



**Base/Caster Color**

Black	BL
Warm Grey	WG
Polished Aluminum	PA

Polished Aluminum requires an upcharge.

Base color selection for black includes; black base, black cylinder and black carpet or hard floor casters.

Base color selection for warm grey includes; warm grey base, warm grey cylinder and warm grey carper casters (hard floor casters not available in warm grey). Stool cylinder is always black.

Base color selection for polished aluminum includes; polished aluminum base, black cylinder and black carpet or hard floor casters.

**SOLID COLOR Seat and Back Polypropylene**

Black	PBL
Blue Grey	PGR
Cayenne	PCY
Cool Grey	PCG
Cottonwood	PCO
Earthen Clay	PEY
Everglade Shade	PEV
Flannel	PFN
Hazy Jade	PHJ
Honey Bee	PHY
Light Tone	PLG
Misty Brown	PMY
Nemo	PNE
Nordic	PND
Purple Haze	PPH
Rainforest	PRQ
Raw Jasper	PRJ
Surf's Up	PSP
Tarragon	PTQ
Twilight Shadow	PTI
Ultra Blue	PUB
Warm Grey	PWG
Zesty Lime	PZL

Outside Flannel/Inside Cottonwood	OFN/ICO	Island	LID
Outside Flannel/Inside Light Tone	OFN/ILG	Italian Silver Ash	LIT
Outside Flannel/Inside Warm Grey	OFN/IWG	Kensington Maple	LKM
Outside Misty Brown/Inside Cottonwood	OMY/ICO	Lapis Blue	LLB
Outside Misty Brown/Inside Light Tone	OMY/ILG	Monticello Maple	LMT
Outside Nordic/Inside Cool Grey	OND/ICG	North Sea	LNA
Outside Nordic/Inside Cottonwood	OND/ICO	Ocean	LON
Outside Nordic/Inside Light Tone	OND/ILG	Pinnacle Walnut	LPW
Outside Nordic/Inside Warm Grey	OND/IWG	River Cherry	LRY
Outside Purple Haze/Inside Cool Grey	OPH/ICG	Shadow Zephyr	LSR
Outside Purple Haze/Inside Cottonwood	OPH/ICO	Sterling Ash	LAZ
Outside Purple Haze/Inside Light Tone	OPH/ILG	Titanium Evolv	LTV
Outside Purple Haze/Inside Warm Grey	OPH/IWG	White Nebula	LWL
Outside Rainforest/Inside Cool Grey	ORQ/ICG	White Sand	LWN
Outside Rainforest/Inside Cottonwood	ORQ/ICO	Windsor Mahogany	LWY
Outside Rainforest/Inside Light Tone	ORQ/ILG		
Outside Rainforest/Inside Warm Grey	ORQ/IWG		
Outside Raw Jasper/Inside Cool Grey	ORJ/ICG		
Outside Raw Jasper/Inside Cottonwood	ORJ/ICO		
Outside Raw Jasper/Inside Light Tone	ORJ/ILG		
Outside Raw Jasper/Inside Warm Grey	ORJ/IWG		
Outside Surf's Up/Inside Cool Grey	OSP/ICG		
Outside Surfs Up/Inside Cottonwood	OSP/ICO		
Outside Surfs Up/Inside Light Tone	OSP/ILG		
Outside Surfs Up/Inside Warm Grey	OSP/IWG		
Outside Tarragon/Inside Cool Grey	OTQ/ICG		
Outside Tarragon/Inside Cottonwood	OTQ/ICO		
Outside Tarragon/Inside Light Tone	OTQ/ILG		
Outside Tarragon/Inside Warm Grey	OTQ/IWG		
Outside Twilight Shadow/Inside Cool Grey	OTI/ICG		
Outside Twilight Shadow/Inside Cottonwood	OTI/ICO		
Outside Twilight Shadow/Inside Light Tone	OTI/ILG		
Outside Twilight Shadow/Inside Warm Grey	OTI/IWG		
Outside Ultra Blue/inside Cottonwood	OUB/ICO		
Outside Ultra Blue/Inside Warm Grey	OUB/IWG		
Outside Warm Grey/Inside Cottonwood	OWG/ICO		
Outside Zesty Lime/inside Cottonwood	OZL/ICO		

**ChangeUp Tablet Arm Color - Laminate**

Beigewood	LBZ
Belair	LBQ
Biltmore Cherry	LBT
Black	LBK
Brighton Walnut	LBW
Castle Oak	LCO
Cherry Storm	LCX
Classic Linen	LCI
Cocobala	LCC
Crisp Linen	LRI
Designer White	LDR
Dove Grey	LDG
Florence Walnut	LFC
Friston Ash	LFH
Frosty White	LFW
Graphite Nebula	LGN
Grey	LGE
High Rise	LHE
Hollyberry	LHY

**TWO-TONE COLOR Seat and Back - Polypropylene****Outside/Inside**

Outside Black/Inside Cool Grey	OBL/ICG
Outside Black/Inside Cottonwood	OBL/ICO
Outside Black/Inside Light Tone	OBL/ILG
Outside Black/Inside Warm Grey	OBL/IWG
Outside Blue Grey/inside Cool Grey	OGR/ICG
Outside Blue Grey/inside Cottonwood	OGR/ICO
Outside Cayenne/Inside Cool Grey	OCY/ICG
Outside Cayenne/Inside Cottonwood	OCY/ICO
Outside Cayenne/Inside Light Tone	OCY/ILG
Outside Cayenne/Inside Warm Grey	OCY/IWG
Outside Cool Grey/inside Cottonwood	OCG/ICO
Outside Everglade Shade/Inside Cool Grey	OEV/ICG
Outside Everglade Shade/Inside Cottonwood	OEV/ICO
Outside Everglade Shade/Inside Light Tone	OEV/ILG
Outside Everglade Shade/Inside Warm Grey	OEV/IWG
Outside Flannel/Inside Cool Grey	OFN/ICG


**Finish Cards**

View color swatches for items listed within this document.

**Paints****Plastics/Poly****Wood/Veneer****Laminates****Molded Edges****Edge Styles****Hard Plastics****Glass**

Certain options referenced may not be available on GSA Schedule.



MODEL	Features	MODEL NUMBER						Approx. Packaged Weight	Delivered Pricing Unupholstered	Delivered Pricing Fabric Grade 1 & C.O.M.	Delivered Pricing Fabric Grade 2	Delivered Pricing Fabric Grade 3	Delivered Pricing Vinyl Group 2V	Delivered Pricing Pallas Fabric Group P0	Delivered Pricing Pallas Fabric Group P1	Delivered Pricing Pallas Fabric Group P2	Delivered Pricing Pallas Fabric Group P3	Delivered Pricing Pallas Fabric Group P4
		Basic Model	Poly Solid Color	Poly Outside/Inside Color	Base Color	Caster Type	Upholstery Color											
 <p><b>Task Armless Chair</b></p> <ul style="list-style-type: none"> <li>• Solid or two-tone colored shell</li> <li>• Unlimited color match</li> <li>• 17 degrees of hip articulation</li> <li>• 400 pound approved</li> <li>• Stack and guest chair models available</li> </ul>	Solid Color, Polypropylene	DN5100	<input type="checkbox"/> <input type="checkbox"/> <input type="checkbox"/>		<input type="checkbox"/> <input type="checkbox"/>	<input type="checkbox"/> <input type="checkbox"/>	24.00#	\$ 553										
	Solid Color, Upholstered Seat	DN5200	<input type="checkbox"/> <input type="checkbox"/> <input type="checkbox"/>		<input type="checkbox"/> <input type="checkbox"/>	<input type="checkbox"/> <input type="checkbox"/> <input type="checkbox"/> <input type="checkbox"/> <input type="checkbox"/>	26.50#	N/A	697	708	730	730	741	789	810	835	869	
	Solid Color, Upholstered Seat/Back	DN5300	<input type="checkbox"/> <input type="checkbox"/> <input type="checkbox"/>		<input type="checkbox"/> <input type="checkbox"/>	<input type="checkbox"/> <input type="checkbox"/> <input type="checkbox"/> <input type="checkbox"/> <input type="checkbox"/>	28.00#	N/A	732	743	763	763	774	824	842	868	904	
	Two-Tone, Polypropylene	DN5A00		<input type="checkbox"/> <input type="checkbox"/> <input type="checkbox"/> <input type="checkbox"/> <input type="checkbox"/> <input type="checkbox"/>	<input type="checkbox"/> <input type="checkbox"/>	<input type="checkbox"/> <input type="checkbox"/>	24.00#	620										
	Two-Tone, Upholstered Seat	DN5B00		<input type="checkbox"/> <input type="checkbox"/> <input type="checkbox"/> <input type="checkbox"/> <input type="checkbox"/> <input type="checkbox"/>	<input type="checkbox"/> <input type="checkbox"/>	<input type="checkbox"/> <input type="checkbox"/> <input type="checkbox"/> <input type="checkbox"/> <input type="checkbox"/>	26.50#	N/A	766	777	797	797	810	859	877	903	938	

DN51  
DN52  
DN53  
DN5A  
DN5B

**A** **B** **C** **D** **E** **F**

**HOW TO ORDER**

Indicate the following information on order form:  
 1. Quantity of each item.  
 2. Model number, including options. See "How To Build a Model Number".  
 3. Any special service required.

Note: • The  indicates that a choice is required.  
 • The absence of the  indicates that no choice is required.  
 • Alpha-numeric characters in place of  indicate that no other alternatives are available.

**HOW TO BUILD A MODEL NUMBER**

- A** Select basic model.
- B** Select solid poly color. Refer to the **Product Color Options** page in this price list.
- C** Select outside/inside poly color. Refer to the **Product Color Options** page in this price list.
- D** Select base color. Refer to the **Product Color Options** page in this price list. \*Add \$114 for polished aluminum base.
- E** Select caster option.
  - CHC** - Hard floor casters (black only)
  - CCC** - Carpet casters
- F** Select upholstery grade/color. Refer to [ki.com/fabrics](http://ki.com/fabrics)

**UPHOLSTERY INFORMATION**

**COM. Upholstery**  
 COM. requirement for 10 chairs or less with upholstered seat or upholstered seat and back is 3/4 yard per chair of 54" wide nondirectional fabric. For orders of 11 or more with upholstered seat and back and for complete information on ordering C.O.M. see "Ordering Customer's Own Material (C.O.M) Upholstery." section.


**SPECIAL SERVICES**

**Special Carton Marking**  
 With specially marked information N/C

**Shipping**  
 Ships **knocked down, FOB Green Bay, WI 54302, freight prepaid.** Freight class 100.

Specifications and prices are subject to change without prior notice.



MODEL	Features	MODEL NUMBER						Approx. Packaged Weight	Delivered Pricing Unupholstered	Delivered Pricing Fabric Grade 1 & C.O.M.	Delivered Pricing Fabric Grade 2	Delivered Pricing Fabric Grade 3	Delivered Pricing Vinyl Group 2V	Delivered Pricing Pallas Fabric Group P0	Delivered Pricing Pallas Fabric Group P1	Delivered Pricing Pallas Fabric Group P2	Delivered Pricing Pallas Fabric Group P3	Delivered Pricing Pallas Fabric Group P4	
		Basic Model	Poly Solid Color	Poly Outside/Inside Color	Base Color	Caster Type	Upholstery Color												
 <p><b>Task Cantilever Armchair</b></p> <ul style="list-style-type: none"> <li>• Solid or two-tone colored shell</li> <li>• Unlimited color match</li> <li>• 17 degrees of hip articulation</li> <li>• 400 pound approved</li> <li>• Stack and guest chair models available</li> </ul>	Solid Color, Polypropylene	DN5111	<input type="checkbox"/> <input type="checkbox"/> <input type="checkbox"/>		<input type="checkbox"/> <input type="checkbox"/>	<input type="checkbox"/> <input type="checkbox"/>	26.00#	\$ 626											
	Solid Color, Upholstered Seat	DN5211	<input type="checkbox"/> <input type="checkbox"/> <input type="checkbox"/>		<input type="checkbox"/> <input type="checkbox"/>	<input type="checkbox"/> <input type="checkbox"/> <input type="checkbox"/> <input type="checkbox"/> <input type="checkbox"/>	28.50#	N/A	772	784	802	802	814	865	883	907	944		
	Solid Color, Upholstered Seat/Back	DN5311	<input type="checkbox"/> <input type="checkbox"/> <input type="checkbox"/>		<input type="checkbox"/> <input type="checkbox"/>	<input type="checkbox"/> <input type="checkbox"/> <input type="checkbox"/> <input type="checkbox"/> <input type="checkbox"/>	30.00#	N/A	805	817	838	838	850	898	919	942	978		
	Two-Tone, Polypropylene	DN5A11		<input type="checkbox"/> <input type="checkbox"/> <input type="checkbox"/> <input type="checkbox"/> <input type="checkbox"/> <input type="checkbox"/>	<input type="checkbox"/> <input type="checkbox"/>	<input type="checkbox"/> <input type="checkbox"/>	26.00#	695											
	Two-Tone, Upholstered Seat	DN5B11		<input type="checkbox"/> <input type="checkbox"/> <input type="checkbox"/> <input type="checkbox"/> <input type="checkbox"/> <input type="checkbox"/>	<input type="checkbox"/> <input type="checkbox"/>	<input type="checkbox"/> <input type="checkbox"/> <input type="checkbox"/> <input type="checkbox"/> <input type="checkbox"/>	28.50#	N/A	840	852	871	871	883	933	952	977	1013		

DN51  
DN52  
DN53  
DN5A  
DN5B

**A** **B** **C** **D** **E** **F**

**HOW TO ORDER**

Indicate the following information on order form:  
 1. Quantity of each item.  
 2. Model number, including options. See "How To Build a Model Number".  
 3. Any special service required.

Note: • The  indicates that a choice is required.  
 • The absence of the  indicates that no choice is required.  
 • Alpha-numeric characters in place of  indicate that no other alternatives are available.

**HOW TO BUILD A MODEL NUMBER**

- A** Select basic model.
- B** Select solid poly color. Refer to the **Product Color Options** page in this price list.
- C** Select outside/inside poly color. Refer to the **Product Color Options** page in this price list.
- D** Select base color. Refer to the **Product Color Options** page in this price list. \*Add \$114 for polished aluminum base.
- E** Select caster option.
  - CHC** - Hard floor casters (black only)
  - CCC** - Carpet casters
- F** Select upholstery grade/color. Refer to [ki.com/fabrics](http://ki.com/fabrics)

**UPHOLSTERY INFORMATION**

**COM. Upholstery**  
 COM. requirement for 10 chairs or less with upholstered seat or upholstered seat and back is 3/4 yard per chair of 54" wide nondirectional fabric. For orders of 11 or more with upholstered seat and back and for complete information on ordering C.O.M. see "Ordering Customer's Own Material (C.O.M) Upholstery." section.

**SPECIAL SERVICES**

**Special Carton Marking**  
 With specially marked information N/C

**Shipping**  
 Ships **knocked down, FOB Green Bay, WI 54302, freight prepaid.** Freight class 100.

Specifications and prices are subject to change without prior notice.







Features	MODEL NUMBER							Approx. Packaged Weight	Delivered Pricing Unupholstered	Delivered Pricing Fabric Grade 1 & C.O.M.	Delivered Pricing Fabric Grade 2	Delivered Pricing Fabric Grade 3	Delivered Pricing Vinyl Group 2V	Delivered Pricing Pallas Fabric Group P0	Delivered Pricing Pallas Fabric Group P1	Delivered Pricing Pallas Fabric Group P2	Delivered Pricing Pallas Fabric Group P3
	Basic Model	Poly Solid Color	Poly Outside/Inside Color	Base Color	Caster Type	Tablet Arm Color	Upholstery Color										
Solid Color, Polypropylene, Left Hand	DN519L	<input type="checkbox"/> <input type="checkbox"/> <input type="checkbox"/>		<input type="checkbox"/> <input type="checkbox"/>	<input type="checkbox"/> <input type="checkbox"/> <input type="checkbox"/>	<input type="checkbox"/> <input type="checkbox"/>		43.00#	\$ 1039								
Solid Color, Polypropylene, Right Hand	DN519R	<input type="checkbox"/> <input type="checkbox"/> <input type="checkbox"/>		<input type="checkbox"/> <input type="checkbox"/>	<input type="checkbox"/> <input type="checkbox"/> <input type="checkbox"/>	<input type="checkbox"/> <input type="checkbox"/>		43.00#	1039								
Solid Color, Upholstered Seat, Left Hand	DN529L	<input type="checkbox"/> <input type="checkbox"/> <input type="checkbox"/>		<input type="checkbox"/> <input type="checkbox"/>	<input type="checkbox"/> <input type="checkbox"/> <input type="checkbox"/>	<input type="checkbox"/> <input type="checkbox"/> <input type="checkbox"/>	<input type="checkbox"/> <input type="checkbox"/> <input type="checkbox"/> <input type="checkbox"/> <input type="checkbox"/>	46.00#	N/A	1184	1194	1217	1217	1227	1276	1296	1319
Solid Color, Upholstered Seat, Right Hand	DN529R	<input type="checkbox"/> <input type="checkbox"/> <input type="checkbox"/>		<input type="checkbox"/> <input type="checkbox"/>	<input type="checkbox"/> <input type="checkbox"/> <input type="checkbox"/>	<input type="checkbox"/> <input type="checkbox"/> <input type="checkbox"/>	<input type="checkbox"/> <input type="checkbox"/> <input type="checkbox"/> <input type="checkbox"/> <input type="checkbox"/>	46.00#	N/A	1184	1194	1217	1217	1227	1276	1296	1319
Solid Color, Upholstered Seat/Back, Left Hand	DN539L	<input type="checkbox"/> <input type="checkbox"/> <input type="checkbox"/>		<input type="checkbox"/> <input type="checkbox"/>	<input type="checkbox"/> <input type="checkbox"/> <input type="checkbox"/>	<input type="checkbox"/> <input type="checkbox"/> <input type="checkbox"/>	<input type="checkbox"/> <input type="checkbox"/> <input type="checkbox"/> <input type="checkbox"/> <input type="checkbox"/>	48.00#	N/A	1219	1229	1249	1249	1260	1311	1328	1354
Solid Color, Upholstered Seat/Back, Right Hand	DN539R	<input type="checkbox"/> <input type="checkbox"/> <input type="checkbox"/>		<input type="checkbox"/> <input type="checkbox"/>	<input type="checkbox"/> <input type="checkbox"/> <input type="checkbox"/>	<input type="checkbox"/> <input type="checkbox"/> <input type="checkbox"/>	<input type="checkbox"/> <input type="checkbox"/> <input type="checkbox"/> <input type="checkbox"/> <input type="checkbox"/>	48.00#	N/A	1219	1229	1249	1249	1260	1311	1328	1354
Two-Tone, Polypropylene, Left Hand	DN5A9L		<input type="checkbox"/> <input type="checkbox"/> <input type="checkbox"/> <input type="checkbox"/> <input type="checkbox"/> <input type="checkbox"/>	<input type="checkbox"/> <input type="checkbox"/>	<input type="checkbox"/> <input type="checkbox"/> <input type="checkbox"/>	<input type="checkbox"/> <input type="checkbox"/>		43.00#	1107								
Two-Tone, Polypropylene, Right Hand	DN5A9R		<input type="checkbox"/> <input type="checkbox"/> <input type="checkbox"/> <input type="checkbox"/> <input type="checkbox"/> <input type="checkbox"/>	<input type="checkbox"/> <input type="checkbox"/>	<input type="checkbox"/> <input type="checkbox"/> <input type="checkbox"/>	<input type="checkbox"/> <input type="checkbox"/>		43.00#	1107								
Two-Tone, Upholstered Seat, Left Hand	DN5B9L		<input type="checkbox"/> <input type="checkbox"/> <input type="checkbox"/> <input type="checkbox"/> <input type="checkbox"/> <input type="checkbox"/>	<input type="checkbox"/> <input type="checkbox"/>	<input type="checkbox"/> <input type="checkbox"/> <input type="checkbox"/>	<input type="checkbox"/> <input type="checkbox"/> <input type="checkbox"/>	<input type="checkbox"/> <input type="checkbox"/> <input type="checkbox"/> <input type="checkbox"/> <input type="checkbox"/>	46.00#	N/A	1252	1262	1284	1284	1296	1345	1364	1388
Two-Tone, Upholstered Seat, Right Hand	DN5B9R		<input type="checkbox"/> <input type="checkbox"/> <input type="checkbox"/> <input type="checkbox"/> <input type="checkbox"/> <input type="checkbox"/>	<input type="checkbox"/> <input type="checkbox"/>	<input type="checkbox"/> <input type="checkbox"/> <input type="checkbox"/>	<input type="checkbox"/> <input type="checkbox"/> <input type="checkbox"/>	<input type="checkbox"/> <input type="checkbox"/> <input type="checkbox"/> <input type="checkbox"/> <input type="checkbox"/>	46.00#	N/A	1252	1262	1284	1284	1296	1345	1364	1388
<b>ChangeUp Tablet Arm Task Chair</b>																	



DN51  
DN52  
DN53  
DN5A  
DN5B

- Solid or two-tone colored shell
- Unlimited color match
- 17 degrees of hip articulation
- Large work surface (21"W x 13.3"D)
- Work surface flips and folds
- Work surface has 20 degrees of ingress/egress movement
- Work surface rated to 250 pounds
- Chair rated to 400 pounds

**A** **B** **C** **D** **E** **F** **G**

**HOW TO ORDER**

- Indicate the following information on order form:
1. Quantity of each item.
  2. Model number, including options. See "How To Build a Model Number".
  3. Any special service required.

Note: • The  indicates that a choice is required.  
• The absence of the  indicates that no choice is required.  
• Alpha-numeric characters in place of  indicate that no other alternatives are available.

**HOW TO BUILD A MODEL NUMBER**

- A** Select basic model.
- B** Select solid poly color. Refer to the **Product Color Options** page in this price list.
- C** Select outside/inside poly color. Refer to the **Product Color Options** page in this price list.
- D** Select base color. Refer to the **Product Color Options** page in this price list. \*Add \$114 for polished aluminum base.
- E** Select casters.
  - CHC** - Hard floor casters (black only)
  - CCC** - Carpet casters
- F** Select tablet arm color. Refer to the **Product Color Options** page in this price list.

**G** Select upholstery grade/color. Refer to [ki.com/fabrics](http://ki.com/fabrics)

**UPHOLSTERY INFORMATION**

**COM. Upholstery**  
COM. requirement for 10 chairs or less with upholstered seat or upholstered seat and back is 3/4 yard per chair of 54" wide nondirectional fabric. For orders of 11 or more with upholstered seat and back and for complete information on ordering C.O.M. see "Ordering Customer's Own Material (C.O.M) Upholstery." section.

**SPECIAL SERVICES**

**Special Carton Marking**  
With specially marked information N/C

**Shipping**  
Ships **knocked down, FOB Green Bay, WI 54302, freight prepaid.** Freight class 100.

Specifications and prices are subject to change without prior notice.



1-Place Unit

2-Place Unit

3-Place Unit

4-Place Unit

Features				
Corner tables	•	•	•	•
In-line tables	•	•	•	•
Poly, upholstered seat, or upholstered seat/back	•	•	•	•
General Dimensions				
Seat width	19-1/4"	19-1/4"	19-1/4"	19-1/4"
Seat depth	18-3/4"	18-3/4"	18-3/4"	18-3/4"
Seat height	17"	17"	17"	17"
Unit width	20"	44"	66"	86"
Unit height	33"	33"	33"	33"
Corner table top	30" x 30"	30" x 30"	30" x 30"	30" x 30"
In-line table	20" x 20"	20" x 20"	20" x 20"	20" x 20"
Table height (all table models)	17"	17"	17"	17"

## TECHNICAL SPECIFICATIONS

### Seat Shell and Backrest Articulation Mechanism

The backrest and seat are injection-molded polypropylene. The seat and backrest are joined by a pair of hidden articulation mechanisms, each consisting of a 14-gauge steel housing, twin 7-gauge levers and steel coil springs. While maintaining a one-piece shell appearance, this mechanism allows the backrest to recline up to 17 degrees of motion.

### Optional Upholstered Seat and Back

Urethane foam is attached to an injection-molded polypropylene liner board, then upholstered using a draw-string process. Seat foam is molded nominal 1" thickness, and back foam is nominal 1/2" thickness. The flush-head fasteners that attach the back pad are color-matched to the polypropylene.

### Under-seat Structure

Support structure is a die-drawn 12-gauge steel plate. Structure is finished with baked-on electrostatically-applied 30-degree gloss epoxy powder-coat paint.

### Tandem Base

Cast aluminum alloy foot section. Leg upright is 14-gauge 1" x 2" seamless steel column. Upright and foot are painted monochromatic with beam and yoke. Leg upright column is welded to a plate which clamps onto the beam with a yoke.

### In-Line Table

Solid core top is 20" x 20" x 7/8" with a vinyl bullnose edge.

### Corner Table

Solid core top is 30" x 30" x 7/8" with a vinyl bullnose edge.

#### INFORMATION

##### C.O.M. Testing and Production Requirements

Not all materials are suitable for upholstering this product. A 1 yd. x 54" sample must be submitted and approved prior to acceptance of an order. If the fabric is directional in pattern or weave, the direction must be indicated on the submitted sample, and additional yardage may be requested.

Test samples must be sent to:

KI  
Attn: C.O.M. Specialist  
1687 Westminster Drive - Gate 3  
Green Bay, WI 54302

##### Design

Designed by Giancarlo Piretti and manufactured in the USA by Krueger International, Inc. under license from Pro-Cord S.p.A

##### KI Color Match Program

KI offers the additional option of color matching paint, polypropylene, or wood stain through Product Modification Requests. Contact Customer Service for details.

Whatever you imagine, whatever you require, KI's Color Match program lets you pick your color!

[Color Match Process - Poly Seating Information can be found here.](#)

#### INFORMATION

##### Warranty

Refer to KI Terms & Conditions document or visit [ki.com](http://ki.com)



**Frame Color**

Black	BL
Blue Grey	GR
Cayenne	CY
Cool Grey	CG
Cottonwood	CO
Earthen Clay	EY
Everglade Shade	EV
Flannel	FN
Hazy Jade	HJ
Honey Bee	HY
Light Tone	LG
Mardi Gras	MG
Misty Brown	MY
Nemo	NE
Nordic	ND
Poppy Red	PR
Purple Haze	PH
Rainforest	RQ
Raw Jasper	RJ
Rubber Ducky	RK
Sky Blue	SK
Surf's Up	SP
Tarragon	TQ
Twilight Shadow	TI
Ultra Blue	UB
Warm Grey	WG
Zesty Lime	ZL

**Edge Color**

Black	EBL
Blue Grey	EGR
Cayenne	ECY
Cool Grey	ECG
Everglade Shade	EEV
Flannel	EFN
Friston Ash	EFH
Frosty White	EFW
Hazy Jade	EHJ
Light Tone	ELG
Mardi Gras	EMG
Misty Brown	EMY
Nemo	ENE
Nordic	END
Poppy Red	EPR
Rubber Ducky	ERK
Sand	ESA
Sky Blue	ESK
Sterling Ash	EAZ
Surf's Up	ESP
Twilight Shadow	ETI
Ultra Blue	EUB
Warm Grey	EWG
Zesty Lime	EZL

**Surface Finish - Laminate**

Beigewood	LBZ
Belair	LBQ

Biltmore Cherry	LBT
Black	LBK
Brighton Walnut	LBW
Castle Oak	LCO
Cherry Storm	LCX
Classic Linen	LCI
Cocobala	LCC
Crisp Linen	LRI
Designer White	LDR
Dove Grey	LDG
Florence Walnut	LFC
Friston Ash	LFH
Frosty White	LFW
Graphite Nebula	LGN
Grey	LGE
High Rise	LHE
Hollyberry	LHY
Island	LID
Italian Silver Ash	LIT
Kensington Maple	LKM
Lapis Blue	LLB
Monticello Maple	LMT
North Sea	LNA
Ocean	LON
Pinnacle Walnut	LPW
River Cherry	LRY
Shadow Zephyr	LSR
Sterling Ash	LAZ
Titanium Evolv	LTV
White Nebula	LWL
White Sand	LWN
Windsor Mahogany	LWY

**SOLID COLOR Seat and Back Polypropylene**

Black	PBL
Blue Grey	PGR
Cayenne	PCY
Cool Grey	PCG
Cottonwood	PCO
Earthen Clay	PEY
Everglade Shade	PEV
Flannel	PFN
Hazy Jade	PHJ
Honey Bee	PHY
Light Tone	PLG
Misty Brown	PMY
Nemo	PNE
Nordic	PND
Purple Haze	PPH
Rainforest	PRQ
Raw Jasper	PRJ
Surf's Up	PSP
Tarragon	PTQ
Twilight Shadow	PTI
Ultra Blue	PUB
Warm Grey	PWG
Zesty Lime	PZL

**TWO-TONE COLOR Seat and Back - Polypropylene**

**Outside/Inside**


Outside Black/Inside Cool Grey	OBL/ICG
Outside Black/Inside Cottonwood	OBL/ICO
Outside Black/Inside Light Tone	OBL/ILG
Outside Black/Inside Warm Grey	OBL/IWG
Outside Blue Grey/inside Cottonwood	OGR/ICO
Outside Cayenne/Inside Cool Grey	OCY/ICG
Outside Cayenne/Inside Cottonwood	OCY/ICO
Outside Cayenne/Inside Light Tone	OCY/ILG
Outside Cayenne/Inside Warm Grey	OCY/IWG
Outside Cool Grey/inside Cottonwood	OCG/ICO
Outside Everglade Shade/Inside Cool Grey	OEV/ICG
Outside Everglade Shade/Inside Cottonwood	OEV/ICO
Outside Everglade Shade/Inside Light Tone	OEV/ILG
Outside Everglade Shade/Inside Warm Grey	OEV/IWG
Outside Flannel/Inside Cool Grey	OFN/ICG
Outside Flannel/Inside Cottonwood	OFN/ICO
Outside Flannel/Inside Light Tone	OFN/ILG
Outside Misty Brown/Inside Light Tone	OMY/ILG
Outside Nordic/Inside Cottonwood	OND/ICO
Outside Nordic/Inside Light Tone	OND/ILG
Outside Nordic/Inside Warm Grey	OND/IWG
Outside Purple Haze/Inside Cool Grey	OPH/ICG
Outside Purple Haze/Inside Cottonwood	OPH/ICO
Outside Purple Haze/Inside Light Tone	OPH/ILG
Outside Purple Haze/Inside Warm Grey	OPH/IWG
Outside Rainforest/Inside Cool Grey	ORQ/ICG
Outside Rainforest/Inside Cottonwood	ORQ/ICO
Outside Rainforest/Inside Light Tone	ORQ/ILG
Outside Rainforest/Inside Warm Grey	ORQ/IWG
Outside Raw Jasper/Inside Cool Grey	ORJ/ICG
Outside Raw Jasper/Inside Cottonwood	ORJ/ICO
Outside Raw Jasper/Inside Light Tone	ORJ/ILG
Outside Raw Jasper/Inside Warm Grey	ORJ/IWG
Outside Surfs Up/Inside Cottonwood	OSP/ICO
Outside Surfs Up/Inside Light Tone	OSP/ILG
Outside Surfs Up/Inside Warm Grey	OSP/IWG
Outside Tarragon/Inside Cool Grey	OTQ/ICG
Outside Tarragon/Inside Cottonwood	OTQ/ICO
Outside Tarragon/Inside Light Tone	OTQ/ILG
Outside Tarragon/Inside Warm Grey	OTQ/IWG
Outside Twilight Shadow/Inside Cool Grey	OTI/ICG
Outside Twilight Shadow/Inside Cottonwood	OTI/ICO
Outside Twilight Shadow/Inside Light Tone	OTI/ILG
Outside Twilight Shadow/Inside Warm Grey	OTI/IWG
Outside Ultra Blue/Inside Warm Grey	OUB/IWG
Outside Warm Grey/Inside Cottonwood	OWG/ICO
Outside Zesty Lime/inside Cottonwood	OZL/ICO
Outside Blue Grey/inside Cool Grey	OGR/ICG
Outside Flannel/inside Warm Grey	OFN/IWG
Outside Misty Brown/inside Cottonwood	OMY/ICO
Outside Nordic/inside Cool Grey	OND/ICG
Outside Surf's Up/inside Cool Grey	OSP/ICG
Outside Ultra Blue/inside Cottonwood	OUB/ICO

**Finish Cards**

View color swatches for items listed within this document.

- [Paints](#)
- [Wood/Veneer](#)
- [Molded Edges](#)
- [Hard Plastics](#)
- [Plastics/Poly](#)
- [Laminates](#)
- [Edge Styles](#)
- [Glass](#)

Certain options referenced may not be available on GSA Schedule.

MODEL	Features	MODEL NUMBER					Approx. Packaged Weight	Delivered Pricing
		Basic Model	Frame Color	Poly Solid Color	Surface Finish	Edge Color		
 <p>DND1</p> <p><b>Polypropylene - No Arm, SOLID COLOR</b></p> <ul style="list-style-type: none"> <li>Optional in-line tables</li> <li>1 seat, 0 in-line table models must connect to a corner table</li> <li>Corner table is ordered separately</li> </ul>	1 Seat, 0 In-Line Table	DND10S1T0	<input type="checkbox"/>	<input type="checkbox"/>			25.00#	\$ 799
	1 Seat, 1 In-Line Table	DND10S1T1	<input type="checkbox"/>	<input type="checkbox"/>	<input type="checkbox"/>	<input type="checkbox"/>	37.00#	1762
	2 Seat, 0 In-Line Table	DND10S2T0	<input type="checkbox"/>	<input type="checkbox"/>			43.00#	1592
	2 Seat, 1 In-Line Table	DND10S2T1	<input type="checkbox"/>	<input type="checkbox"/>	<input type="checkbox"/>	<input type="checkbox"/>	57.00#	2555
	3 Seat, 0 In-Line Table	DND10S3T0	<input type="checkbox"/>	<input type="checkbox"/>			63.00#	2389
	3 Seat, 1 In-Line Table	DND10S3T1	<input type="checkbox"/>	<input type="checkbox"/>	<input type="checkbox"/>	<input type="checkbox"/>	77.00#	3352
	4 Seat, 0 In-Line Table	DND10S4T0	<input type="checkbox"/>	<input type="checkbox"/>			87.00#	3188
	3 Seat, 2 In-Line Table	DND10S3T2	<input type="checkbox"/>	<input type="checkbox"/>	<input type="checkbox"/>	<input type="checkbox"/>	96.00#	4314
	4 Seat, 1 In-Line Table	DND10S4T1	<input type="checkbox"/>	<input type="checkbox"/>	<input type="checkbox"/>	<input type="checkbox"/>	103.00#	4148
	5 Seat, 0 In-Line Table	DND10S5T0	<input type="checkbox"/>	<input type="checkbox"/>			108.00#	3986
			<b>A</b>	<b>B</b>	<b>C</b>	<b>D</b>	<b>E</b>	

**HOW TO ORDER**

Indicate the following information on order form:

- Quantity of each item.
- Model number, including options. See "How To Build a Model Number".
- Any special service required.

Note: • The  indicates that a choice is required.

- The absence of the  indicates that no choice is required.
- Alpha-numeric characters in place of  indicate that no other alternatives are available.

**HOW TO BUILD A MODEL NUMBER**

- A** Select basic model.
- B** Select frame color.  
Refer to the **Product Color Options** page in this price list.
- C** Select solid poly color.  
Refer to the **Product Color Options** page in this price list.
- D** Select surface finish for table.  
Refer to the **Product Color Options** page in this price list.
- E** Select table edge color.  
Refer to the **Product Color Options** page in this price list.

**SPECIAL SERVICES****Special Carton Marking**


With specially marked information N/C

**Shipping**

Ships **knocked down, FOB Green Bay, WI 54302, freight prepaid.** Freight class 70.

Specifications and prices are subject to change without prior notice.



MODEL	Features	MODEL NUMBER					Approx. Packaged Weight	Delivered Pricing
		Basic Model	Frame Color	Poly Outside/Inside Color	Surface Finish	Edge Color		
 <p>DNDA</p> <p><b>Polypropylene - No Arm, TWO-TONE</b></p> <ul style="list-style-type: none"> <li>• Optional in-line tables</li> <li>• 1 seat, 0 in-line table models must connect to a corner table</li> <li>• Corner table is ordered separately</li> </ul>	1 Seat, 0 In-Line Table	DNDA0S1T0	<input type="checkbox"/>	<input type="checkbox"/>			25.00#	\$ 869
	1 Seat, 1 In-Line Table	DNDA0S1T1	<input type="checkbox"/>	<input type="checkbox"/>	<input type="checkbox"/>	<input type="checkbox"/>	37.00#	1832
	2 Seat, 0 In-Line Table	DNDA0S2T0	<input type="checkbox"/>	<input type="checkbox"/>			43.00#	1732
	2 Seat, 1 In-Line Table	DNDA0S2T1	<input type="checkbox"/>	<input type="checkbox"/>	<input type="checkbox"/>	<input type="checkbox"/>	57.00#	2694
	3 Seat, 0 In-Line Table	DNDA0S3T0	<input type="checkbox"/>	<input type="checkbox"/>			63.00#	2599
	3 Seat, 1 In-Line Table	DNDA0S3T1	<input type="checkbox"/>	<input type="checkbox"/>	<input type="checkbox"/>	<input type="checkbox"/>	77.00#	3562
	4 Seat, 0 In-Line Table	DNDA0S4T0	<input type="checkbox"/>	<input type="checkbox"/>			87.00#	3467
	3 Seat, 2 In-Line Table	DNDA0S3T2	<input type="checkbox"/>	<input type="checkbox"/>	<input type="checkbox"/>	<input type="checkbox"/>	96.00#	4524
	4 Seat, 1 In-Line Table	DNDA0S4T1	<input type="checkbox"/>	<input type="checkbox"/>	<input type="checkbox"/>	<input type="checkbox"/>	103.00#	4429
	5 Seat, 0 In-Line Table	DNDA0S5T0	<input type="checkbox"/>	<input type="checkbox"/>			108.00#	4335
			<b>A</b>	<b>B</b>	<b>C</b>	<b>D</b>	<b>E</b>	

**HOW TO ORDER**

- Indicate the following information on order form:
1. Quantity of each item.
  2. Model number, including options. See "How To Build a Model Number".
  3. Any special service required.

Note:

- The  indicates that a choice is required.
- The absence of the  indicates that no choice is required.
- Alpha-numeric characters in place of  indicate that no other alternatives are available.

**HOW TO BUILD A MODEL NUMBER**

- A** Select basic model.
- B** Select frame color. Refer to the **Product Color Options** page in this price list.
- C** Select outside/inside poly color. Refer to the **Product Color Options** page in this price list.
- D** Select surface finish for table. Refer to the **Product Color Options** page in this price list.
- E** Select table edge color. Refer to the **Product Color Options** page in this price list.

**SPECIAL SERVICES**

**Special Carton Marking**


With specially marked information N/C

**Shipping**

Ships **knocked down, FOB Green Bay, WI 54302, freight prepaid.** Freight class 70.

Specifications and prices are subject to change without prior notice.



MODEL	Features	MODEL NUMBER						Approx. Packaged Weight	Delivered Pricing Fabric Grade 1 & C.O.M.	Delivered Pricing Fabric Grade 2	Delivered Pricing Fabric Grade 3	Delivered Pricing Vinyl Group 2V	Delivered Pricing Pallas Fabric Group P0	Delivered Pricing Pallas Fabric Group P1	Delivered Pricing Pallas Fabric Group P2	Delivered Pricing Pallas Fabric Group P3	Delivered Pricing Pallas Fabric Group P4
		Basic Model	Frame Color	Poly Solid Color	Surface Finish	Edge Color	Upholstery Color										
 DND2 <b>Upholstered Seat - No Arm, SOLID COLOR</b> • Optional in-line tables • 1 seat, 0 in-line table models must connect to a corner table • Corner table is ordered separately	1 Seat, 0 In-Line Table	DND20S1T0	<input type="checkbox"/>	<input type="checkbox"/>			<input type="checkbox"/>	28.00#	\$ 947	\$ 957	\$ 980	\$ 980	\$ 991	\$ 1041	\$ 1060	\$ 1086	\$ 1122
	1 Seat, 1 In-Line Table	DND20S1T1	<input type="checkbox"/>	<input type="checkbox"/>	<input type="checkbox"/>	<input type="checkbox"/>	<input type="checkbox"/>	39.00#	1909	1922	1941	1941	1954	2004	2024	2048	2084
	2 Seat, 0 In-Line Table	DND20S2T0	<input type="checkbox"/>	<input type="checkbox"/>			<input type="checkbox"/>	48.00#	1890	1912	1955	1955	1977	2079	2117	2167	2240
	2 Seat, 1 In-Line Table	DND20S2T1	<input type="checkbox"/>	<input type="checkbox"/>	<input type="checkbox"/>	<input type="checkbox"/>	<input type="checkbox"/>	62.00#	2852	2875	2918	2918	2940	3042	3080	3131	3203
	3 Seat, 0 In-Line Table	DND20S3T0	<input type="checkbox"/>	<input type="checkbox"/>			<input type="checkbox"/>	68.00#	2835	2869	2930	2930	2965	3118	3176	3252	3362
	3 Seat, 1 In-Line Table	DND20S3T1	<input type="checkbox"/>	<input type="checkbox"/>	<input type="checkbox"/>	<input type="checkbox"/>	<input type="checkbox"/>	82.00#	3798	3832	3893	3893	3929	4079	4139	4214	4325
	4 Seat, 0 In-Line Table	DND20S4T0	<input type="checkbox"/>	<input type="checkbox"/>			<input type="checkbox"/>	92.00#	3784	3828	3913	3913	3959	4161	4239	4339	4485
	3 Seat, 2 In-Line Table	DND20S3T2	<input type="checkbox"/>	<input type="checkbox"/>	<input type="checkbox"/>	<input type="checkbox"/>	<input type="checkbox"/>	101.00#	4761	4794	4857	4857	4890	5042	5101	5178	5287
	4 Seat, 1 In-Line Table	DND20S4T1	<input type="checkbox"/>	<input type="checkbox"/>	<input type="checkbox"/>	<input type="checkbox"/>	<input type="checkbox"/>	101.00#	4744	4788	4872	4872	4918	5119	5198	5299	5446
	5 Seat, 0 In-Line Table	DND20S5T0	<input type="checkbox"/>	<input type="checkbox"/>			<input type="checkbox"/>	113.00#	4729	4785	4890	4890	4946	5200	5298	5424	5607

**A** **B** **C** **D** **E** **F**

**HOW TO ORDER**

- Indicate the following information on order form:
- Quantity of each item.
  - Model number, including options. See "How To Build a Model Number".
  - Any special service required.

Note: • The  indicates that a choice is required.  
 • The absence of the  indicates that no choice is required.  
 • Alpha-numeric characters in place of  indicate that no other alternatives are available.

**HOW TO BUILD A MODEL NUMBER**

- A** Select basic model.
- B** Select frame color. Refer to the **Product Color Options** page in this price list.
- C** Select solid poly color. Refer to the **Product Color Options** page in this price list.
- D** Select surface finish for table. Refer to the **Product Color Options** page in this price list.
- E** Select table edge color. Refer to the **Product Color Options** page in this price list.
- F** Select upholstery grade/color. Refer to [ki.com/fabrics](http://ki.com/fabrics)

**SPECIAL SERVICES**


**Special Carton Marking**

With specially marked information N/C

**Shipping**  
 Ships **knocked down, FOB Green Bay, WI 54302, freight prepaid.** Freight class 70.

Specifications and prices are subject to change without prior notice.



MODEL	Features	MODEL NUMBER						Approx. Packaged Weight	Delivered Pricing Fabric Grade 1 & C.O.M.	Delivered Pricing Fabric Grade 2	Delivered Pricing Fabric Grade 3	Delivered Pricing Vinyl Group 2V	Delivered Pricing Pallas Fabric Group P0	Delivered Pricing Pallas Fabric Group P1	Delivered Pricing Pallas Fabric Group P2	Delivered Pricing Pallas Fabric Group P3	Delivered Pricing Pallas Fabric Group P4
		Basic Model	Frame Color	Poly Outside/Inside Color	Surface Finish	Edge Color	Upholstery Color										
 DNDB <b>Upholstered Seat - No Arm, TWO-TONE</b> • Optional in-line tables • 1 seat, 0 in-line table models must connect to a corner table • Corner table is ordered separately	1 Seat, 0 In-Line Table	DNDB0S1T0	<input type="checkbox"/>	<input type="checkbox"/>				28.00#	\$ 1016	\$ 1027	\$ 1049	\$ 1049	\$ 1060	\$ 1112	\$ 1129	\$ 1156	\$ 1193
	1 Seat, 1 In-Line Table	DNDB0S1T1	<input type="checkbox"/>	<input type="checkbox"/>	<input type="checkbox"/>	<input type="checkbox"/>		39.00#	1979	1991	2011	2011	2024	2075	2094	2118	2156
	2 Seat, 0 In-Line Table	DNDB0S2T0	<input type="checkbox"/>	<input type="checkbox"/>				48.00#	2031	2054	2095	2095	2117	2218	2259	2309	2380
	2 Seat, 1 In-Line Table	DNDB0S2T1	<input type="checkbox"/>	<input type="checkbox"/>	<input type="checkbox"/>	<input type="checkbox"/>		62.00#	2994	3017	3057	3057	3080	3180	3219	3271	3344
	3 Seat, 0 In-Line Table	DNDB0S3T0	<input type="checkbox"/>	<input type="checkbox"/>				68.00#	3046	3079	3142	3142	3176	3328	3386	3462	3572
	3 Seat, 1 In-Line Table	DNDB0S3T1	<input type="checkbox"/>	<input type="checkbox"/>	<input type="checkbox"/>	<input type="checkbox"/>		82.00#	4007	4042	4103	4103	4139	4291	4348	4425	4535
	4 Seat, 0 In-Line Table	DNDB0S4T0	<input type="checkbox"/>	<input type="checkbox"/>				92.00#	4063	4109	4194	4194	4239	4441	4518	4619	4767
	3 Seat, 2 In-Line Table	DNDB0S3T2	<input type="checkbox"/>	<input type="checkbox"/>	<input type="checkbox"/>	<input type="checkbox"/>		101.00#	4972	5005	5067	5067	5101	5253	5312	5387	5497
	4 Seat, 1 In-Line Table	DNDB0S4T1	<input type="checkbox"/>	<input type="checkbox"/>	<input type="checkbox"/>	<input type="checkbox"/>		101.00#	5024	5068	5153	5153	5198	5400	5480	5580	5727
	5 Seat, 0 In-Line Table	DNDB0S5T0	<input type="checkbox"/>	<input type="checkbox"/>				113.00#	5081	5136	5243	5243	5298	5551	5650	5773	5958

**A** **B** **C** **D** **E** **F**

**HOW TO ORDER**

- Indicate the following information on order form:
- Quantity of each item.
  - Model number, including options. See "How To Build a Model Number".
  - Any special service required.

Note:

- The  indicates that a choice is required.
- The absence of the  indicates that no choice is required.
- Alpha-numeric characters in place of  indicate that no other alternatives are available.

**HOW TO BUILD A MODEL NUMBER**

- A** Select basic model.
- B** Select frame color. Refer to the **Product Color Options** page in this price list.
- C** Select outside/inside poly color. Refer to the **Product Color Options** page in this price list.
- D** Select surface finish for table. Refer to the **Product Color Options** page in this price list.
- E** Select table edge color. Refer to the **Product Color Options** page in this price list.
- F** Select upholstery grade/color. Refer to [ki.com/fabrics](http://ki.com/fabrics)

**SPECIAL SERVICES**

**Special Carton Marking**


With specially marked information N/C

**Shipping**

Ships **knocked down, FOB Green Bay, WI 54302, freight prepaid.** Freight class 70.

Specifications and prices are subject to change without prior notice.



MODEL	Features	MODEL NUMBER						Approx. Packaged Weight	Delivered Pricing Fabric Grade 1 & C.O.M.	Delivered Pricing Fabric Grade 2	Delivered Pricing Fabric Grade 3	Delivered Pricing Vinyl Group 2V	Delivered Pricing Pallas Fabric Group P0	Delivered Pricing Pallas Fabric Group P1	Delivered Pricing Pallas Fabric Group P2	Delivered Pricing Pallas Fabric Group P3	Delivered Pricing Pallas Fabric Group P4
		Basic Model	Frame Color	Poly Solid Color	Surface Finish	Edge Color	Upholstery Color										
 DND3 <b>Upholstered Seat and Back - No Arm, SOLID COLOR</b> • Optional in-line tables • 1 seat, 0 in-line table models must connect to a corner table • Corner table is ordered separately	1 Seat, 0 In-Line Table	DND30S1T0	<input type="checkbox"/>	<input type="checkbox"/>			<input type="checkbox"/>	33.00#	\$ 982	\$ 993	\$ 1013	\$ 1013	\$ 1025	\$ 1077	\$ 1095	\$ 1121	\$ 1157
	1 Seat, 1 In-Line Table	DND30S1T1	<input type="checkbox"/>	<input type="checkbox"/>	<input type="checkbox"/>	<input type="checkbox"/>	<input type="checkbox"/>	47.00#	1944	1956	1977	1977	1989	2039	2058	2083	2121
	2 Seat, 0 In-Line Table	DND30S2T0	<input type="checkbox"/>	<input type="checkbox"/>			<input type="checkbox"/>	58.00#	1961	1982	2025	2025	2046	2148	2190	2238	2311
	2 Seat, 1 In-Line Table	DND30S2T1	<input type="checkbox"/>	<input type="checkbox"/>	<input type="checkbox"/>	<input type="checkbox"/>	<input type="checkbox"/>	72.00#	2923	2945	2987	2987	3009	3111	3151	3201	3275
	3 Seat, 0 In-Line Table	DND30S3T0	<input type="checkbox"/>	<input type="checkbox"/>			<input type="checkbox"/>	83.00#	2940	2973	3037	3037	3073	3221	3282	3358	3465
	3 Seat, 1 In-Line Table	DND30S3T1	<input type="checkbox"/>	<input type="checkbox"/>	<input type="checkbox"/>	<input type="checkbox"/>	<input type="checkbox"/>	97.00#	3903	3936	4000	4000	4034	4184	4245	4320	4429
	4 Seat, 0 In-Line Table	DND30S4T0	<input type="checkbox"/>	<input type="checkbox"/>			<input type="checkbox"/>	108.00#	3923	3969	4054	4054	4098	4301	4378	4481	4625
	3 Seat, 2 In-Line Table	DND30S3T2	<input type="checkbox"/>	<input type="checkbox"/>	<input type="checkbox"/>	<input type="checkbox"/>	<input type="checkbox"/>	116.00#	4866	4899	4962	4962	4997	5147	5208	5284	5393
	4 Seat, 1 In-Line Table	DND30S4T1	<input type="checkbox"/>	<input type="checkbox"/>	<input type="checkbox"/>	<input type="checkbox"/>	<input type="checkbox"/>	127.00#	4884	4928	5013	5013	5057	5260	5339	5440	5586
	5 Seat, 0 In-Line Table	DND30S5T0	<input type="checkbox"/>	<input type="checkbox"/>			<input type="checkbox"/>	138.00#	4904	4960	5066	5066	5123	5376	5473	5600	5783

**A** **B** **C** **D** **E** **F**

**HOW TO ORDER**

- Indicate the following information on order form:
- Quantity of each item.
  - Model number, including options. See "How To Build a Model Number".
  - Any special service required.

Note:

- The  indicates that a choice is required.
- The absence of the  indicates that no choice is required.
- Alpha-numeric characters in place of  indicate that no other alternatives are available.

**HOW TO BUILD A MODEL NUMBER**

- A** Select basic model.
- B** Select frame color. Refer to the **Product Color Options** page in this price list.
- C** Select solid poly color. Refer to the **Product Color Options** page in this price list.
- D** Select surface finish for table. Refer to the **Product Color Options** page in this price list.
- E** Select table edge color. Refer to the **Product Color Options** page in this price list.
- F** Select upholstery grade/color. Refer to [ki.com/fabrics](http://ki.com/fabrics)

**SPECIAL SERVICES**

**Special Carton Marking**

With specially marked information N/C

**Shipping**

Ships **knocked down, FOB Green Bay, WI 54302, freight prepaid.** Freight class 70.

Specifications and prices are subject to change without prior notice.



	MODEL	Features	MODEL NUMBER				Approx. Packaged Weight	Delivered Pricing
			Basic Model	Frame Color	Surface Finish	Edge Color		
MSCT	<b>Corner Table</b> • Number of tables per arrangement • Plastic laminate with vinyl bullnose edge • For mounting modular units at a 90° angle • Two required for U-shaped configuration • One required for L-shaped configuration	Connects 2 units	TCT	<input type="checkbox"/> <input type="checkbox"/>	<input type="checkbox"/> <input type="checkbox"/> <input type="checkbox"/>	<input type="checkbox"/> <input type="checkbox"/> <input type="checkbox"/>	14.00#	\$ 802
AC901	<b>Back Ganging Bar</b> • Connects 2 units back-to-back • Powder coated to match base • Sold in pairs		DOP.GANG	<input type="checkbox"/> <input type="checkbox"/>			8.00#	\$ 268

**A**   **B**   **C**   **D**

**HOW TO ORDER**

- Indicate the following information on order form:
- Quantity of each item.
  - Model number, including options. See "How To Build a Model Number".
  - Any special service required.

Note:

- The  indicates that a choice is required.
- The absence of the  indicates that no choice is required.
- Alpha-numeric characters in place of  indicate that no other alternatives are available.

**HOW TO BUILD A MODEL NUMBER**

- A** Select basic model.
- B** Select frame color. Refer to the **Product Color Options** page in this price list.
- C** Select surface finish for table. Refer to the **Product Color Options** page in this price list.
- D** Select table edge color. Refer to the **Product Color Options** page in this price list.

**SPECIAL SERVICES**

**Special Carton Marking**

With specially marked information    N/C

**Shipping**  
Ships **knocked down, FOB Green Bay, WI 54302, freight prepaid.** Freight class 70.

Specifications and prices are subject to change without prior notice.



1330 BELLEVUE STREET  
GREEN BAY, WI 54302  
800.424.2432 / KI.COM

KI is a trusted expert for furniture and wall systems around the globe.  
USA | CANADA | MEXICO | UK | EUROPE | ASIA | MIDDLE EAST  
© 2026 Krueger International, Inc. All Rights Reserved.