



DIEM[®]
TASK SEATING

PRICE LIST

EFFECTIVE FEBRUARY 25, 2026
800.424.2432



Ordering Customer's Own Material (C.O.M.) Upholstery	
Information	3

Diem®	
General Information	4

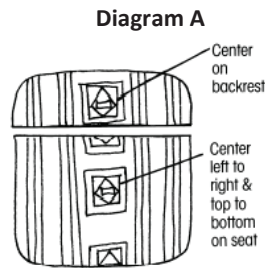
Diem®	
Product Color Options	9
Task Chairs	10
Task Stools	12



How to Specify

As a standard procedure, KI applies seating upholstery as swatched by the textile distributor. Reference distributor's website. Upholstery that is required to be applied differently than is swatched, will need a Product Modification Request written specifying the direction the upholstery is to be applied.

Seating upholstery requiring specific positioning of intricate patterns or patterns repeats on seats and backrests, will need a Product Modification Request written including a sketch noting the specific requirements, as in Diagram A.



When directional or patterned fabrics are used, they often require more yardage than solid colors.

C.O.M. must be supplied in continuous yardage.

C.O.M. yardage requirements accompanying products in the pricing section are for 10 chairs/seats or less, 54" wide nondirectional material. On larger orders, less material is required.

Leather hides must be a minimum of 50 square feet of usable material. The outer edges cannot be calculated as square feet or yardage. To determine square footage, multiply unit yardage by 18 square feet to obtain the total square footage required per unit.

For exact production yardage requirements, call 1-800-424-2432, ext. 2707.

Production

Customer's upholstery must be approved prior to acceptance for production.

C.O.M. not received into the appropriate facility 3 weeks prior to acknowledged delivery date may go on hold. See KI C.O.M. Shipping Location listing for the correct facility address by product.

Testing

When KI requires testing, actual yardage to upholster one chair may be required. The C.O.M. Specialist will confirm model and fabric testing requirements when applicable.

Approved test samples will be applied to the order or will be held for 6 months. After 6 months, the sample will no longer be applied to your order. For all product testing, send fabric samples to the manufacturing facility. See KI C.O.M. Shipping Location listing for the correct facility address by product.

All C.O.M. must be labeled with the KI product order number and customer purchase order number.

Treated Materials

If C.O.M. requires processing such as a stain resistance treatment or acrylic backing, it may shrink. To prevent delays in delivery or back ordering due to shrinkage, please have your processor verify measurement after processing and assure adequate yardage shipped.

Split Orders

If a portion of the shipment which does not require C.O.M. application is to be processed and shipped early, KI will enter the order immediately at your request. These split shipments are subject to minimum order changes.

Excess Upholstery Material

KI will dispose of excess upholstery material at the time of shipment unless expressly requested to return it with the product shipment.

Cancelled or Changed Orders

KI assumes no responsibility for extra C.O.M. due to a change of upholstery or cancellation of an order. If it the customer's responsibility to arrange for return of the material.

Contact the C.O.M. Specialist at 1-800-424-2432, ext. 2707, with questions or to request a split order.

C.O.M. SHIPPING LOCATION

Architectural Walls Evoke..... MN Genius..... MN Casegoods Aristotle.....MN Likha.....MN Classroom Furniture Cogni GB Intellect Wave GB Learn2.....GB Ruckus..... GB Desking 700 Series KP Balance MN Genesis MN True KP Universal MN WorkZone MN Files & Storage 700 Series..... GB ConnectionBW U-SeriesGB Tattoo.....BW Fixed Seating Concerto.....BW Single PedestalGB Jury BaseGB Lancaster.....BW SequenceGB UniversityGB	Panel Systems All Terrain.....KP Balance MN Universal MN Wireworks MN Unite..... MN Residence Hall Furniture RoomScope MN Screens All Terrain.....KP Connection Zone.....BW Tributaire.....BW True/VolitionKP Genesis.....KP Tattoo.....MN Universal.....BW Seating 600 Series.....BW AffinaHN AltusGB ApplyGB CalidaHN CaschaVT CivaraVT ClamberHN CogniGB DiemOM DoniGB GladlyVQ GrazieGB HubHN ImpressOM	Impress UltraOM Intellect WaveGB JessaHN JubileeVQ Katera.....GB Kurv Benches.....HN Learn2.....GB LimeLite.....GB LyraHN Medical & Laboratory Stools.....OM MyPlaceHN MyWayHN OathGB Opt4GB PilotOM PromenadeBW Ruckus.....GB SelaHN SiftGB Signia.....OM Soltice MetalHN Soltice.....HN SonrisaHN Strive.....GB SwayBW Tattoo.....HN Torsion-on-the-Go!GB Torsion AirGB ZekerHN ZentoriVT ZoetryHN
--	--	--

KI C.O.M. Manufacturing Site Addresses:

BW KI Bonduel Attn: COM Storage 204 West South St. Bonduel, WI 54107	HN KI High Point Attn: COM Storage 217 Feld Avenue High Point, NC 27263	MN KI Manitowoc Attn: COM Storage 1400 S. 41st St. Manitowoc, WI 54220	VQ KI Attn: COM Fabrics 6892 Marlin Circle La Palma, CA 90623
GB KI Green Bay Attn: COM Storage 1687 Westminster Drive - Gate 3 Green Bay, WI 54302	KP KI Pembroke Attn: COM Storage 1000 Olympic Dr. Pembroke, Ontario K8A6X7	OM KI Attn: COM Storage 1110 S. Mildred Ave. Ontario, CA 91761	VT KI Attn: COM Storage 2803 South Taylor Drive Sheboygan, WI 53081



Weight-Activated Task Chair, Armless
(KIDE820)



Weight-Activated Task Chair, 1D Arms
(KIDE82B)



Weight-Activated Task Chair, 4D Arms
(KIDE82C)

Features			
Weight Activated	•	•	•
Seat Depth Adjustment:			
1D arm		•	
4D arm			•
General Dimensions			
Seat width	19-1/2"	19-1/2"	19-1/2"
Seat depth	17-1/2"	17-1/2"	17-1/2"
Seat height	17-1/2" - 22-1/4"	17-1/2" - 22-1/4"	17-1/2" - 22-1/4"
Back width	17-1/2"	17-1/2"	17-1/2"
Back height (above seat)	20-1/2"	20-1/2"	20-1/2"
Inside arm distance		18-1/2"	15-3/4" - 19-1/2"
Arm height (from floor)		24-1/2" - 32-3/4"	24-3/4" - 33-3/4"
Overall Dimensions			
Width	27"	27"	27"
Depth	27"	27"	27"
Height	38-3/4" - 43-1/2"	38-3/4" - 43-1/2"	38-3/4" - 43-1/2"
Base diameter	26"	26"	26"



Weight-Activated Task Chair with Seat
Depth Adjustment, Armless (KIDE840)



Weight-Activated Task Chair with Seat Depth
Adjustment, 1D Arms (KIDE84B)



Weight-Activated Task Chair with Seat Depth
Adjustment, 4D Arms (KIDE84C)

Features			
Weight Activated	•	•	•
Seat Depth Adjustment:	•	•	•
1D arm		•	
4D arm			•
General Dimensions			
Seat width	19-1/2"	19-1/2"	19-1/2"
Seat depth	17-1/2" - 20"	17-1/2" - 20"	17-1/2" - 20"
Seat height	18-1/4" - 23"	18-1/4" - 23"	18-1/4" - 23"
Back width	17-1/2"	17-1/2"	17-1/2"
Back height (above seat)	20-1/2"	20-1/2"	20-1/2"
Inside arm distance		18-1/2"	15-3/4" - 19-1/2"
Arm height (from floor)		24-1/2" - 32-3/4"	24-3/4" - 33-3/4"
Overall Dimensions			
Width	27"	27"	27"
Depth	27"	27"	27"
Height	38-3/4" - 43-1/2"	38-3/4" - 43-1/2"	38-3/4" - 43-1/2"
Base diameter	26"	26"	26"

INFORMATION

Warranty
Refer to KI Terms & Conditions document or visit
ki.com



Weight-Activated Task Stool, Armless
(KIDE920)



Weight-Activated Task Stool, 1D Arms
(KIDE92B)



Weight-Activated Task Stool, 4D Arms
(KIDE92C)

Features			
Weight Activated	•	•	•
Seat Depth Adjustment:			
1D arm		•	
4D arm			•
General Dimensions			
Seat width	19-1/2"	19-1/2"	19-1/2"
Seat depth	17-1/2"	17-1/2"	17-1/2"
Seat height	24-1/4" - 32"	24-1/4" - 32"	24-1/4" - 32"
Back width	17-1/2"	17-1/2"	17-1/2"
Back height (above seat)	20-1/2"	20-1/2"	20-1/2"
Inside arm distance		18-1/2"	15-3/4" - 19-1/2"
Arm height (from floor)		29" - 40-1/2"	29-1/4" - 41-1/2"
Overall Dimensions			
Width	27"	27"	27"
Depth	27"	27"	27"
Height	43-1/4" - 51-1/4"	43-1/4" - 51-1/4"	43-1/4" - 51-1/4"
Base diameter	26"	26"	26"



Weight-Activated Task Stool with Seat
Depth Adjustment, Armless (KIDE940)



Weight-Activated Task Stool with Seat Depth
Adjustment, 1D Arms (KIDE94B)



Weight-Activated Task Stool with Seat Depth
Adjustment, 4D Arms (KIDE94C)

Features			
Weight Activated	•	•	•
Seat Depth Adjustment:	•	•	•
1D arm		•	
4D arm			•
General Dimensions			
Seat width	19-1/2"	19-1/2"	19-1/2"
Seat depth	17-1/2" - 20"	17-1/2" - 20"	17-1/2" - 20"
Seat height	25" - 32-3/4"	25" - 32-3/4"	25" - 32-3/4"
Back width	17-1/2"	17-1/2"	17-1/2"
Back height (above seat)	20-1/2"	20-1/2"	20-1/2"
Inside arm distance		18-1/2"	15-3/4" - 19-1/2"
Arm height (from floor)		29" - 40-1/2"	29-1/4" - 41-1/2"
Overall Dimensions			
Width	27"	27"	27"
Depth	27"	27"	27"
Height	43-1/4" - 51-1/4"	43-1/4" - 51-1/4"	43-1/4" - 51-1/4"
Base diameter	26"	26"	26"

INFORMATION

Warranty
Refer to KI Terms & Conditions document or visit
ki.com

TECHNICAL SPECIFICATIONS

Mechanism

A weight-activated mechanism passively adjusts backrest tilt tension based on occupant weight. The mechanism is made of stamped steel with a black plastic trim cover. One lever operates the height-adjust cylinder and a second lever allows the backrest tilt mechanism to move freely, or locks it in one of four positions.

Seat

Plywood seat board with 3 1/2" thick molded urethane foam is upholstered using a drawstring method. Optional seat depth adjustment range of 2.5".

Backrest

Reinforced nylon frame with mesh insert. Backrest frame and mesh are available in black, grey or white.

Base

Chair and stool have an injection-molded, glass-reinforced black nylon 5-blade base or a polished die-cast aluminum 5-blade base. Standard chair and stool cylinders are available in Black or Chrome.

Casters

Casters are 55 mm O.D., double-wheel high-impact thermoplastic, and are designed for use on both commercial carpet and hard floors.

Foot Ring

Task stools are equipped with an adjustable-height foot ring consisting of a die-cast aluminum hub, four spokes, and a 20" diameter tubular steel ring. Foot rings are always Black in color.

Arms

Optional height-adjustable arms are molded in black reinforced plastic with molded black polyurethane arm caps. Armrests mount directly to the seat board.

1D Arms

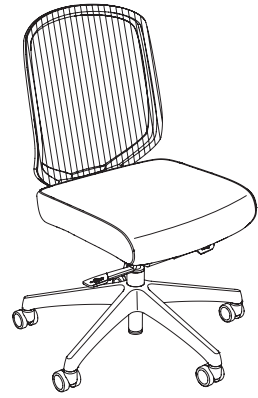
1D Arms are height-adjustable with a range of 3 1/4".

4D Arms

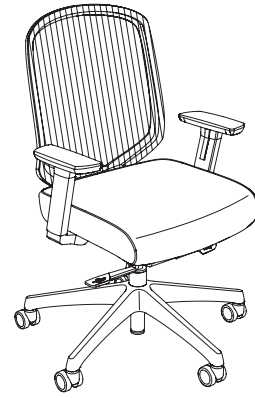
4D Arms are two-way adjustable, by width and height. Forward-slanting arms with ergonomic, maximum mobility arm top (button-activated and lockable arm pad; 1" side-to-side, 2" forward and back, and pivoting). Adjustable-height range of 4 1/4". Adjustable width range of 1 3/4" per side.



Diem Weight-Activated Task Chairs



KIDE820

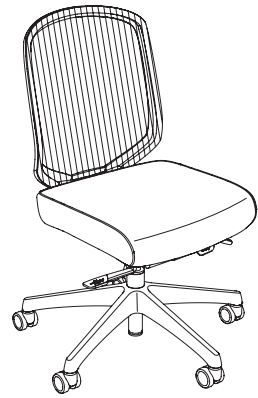


KIDE82B



KIDE82C

Diem Weight-Activated Task Chairs with Seat Depth Adjustment



KIDE840



KIDE84B



KIDE84C

Diem Weight-Activated Task Stools



KIDE920



KIDE92B



KIDE92C

Diem Weight-Activated Task Stools with Seat Depth Adjustment



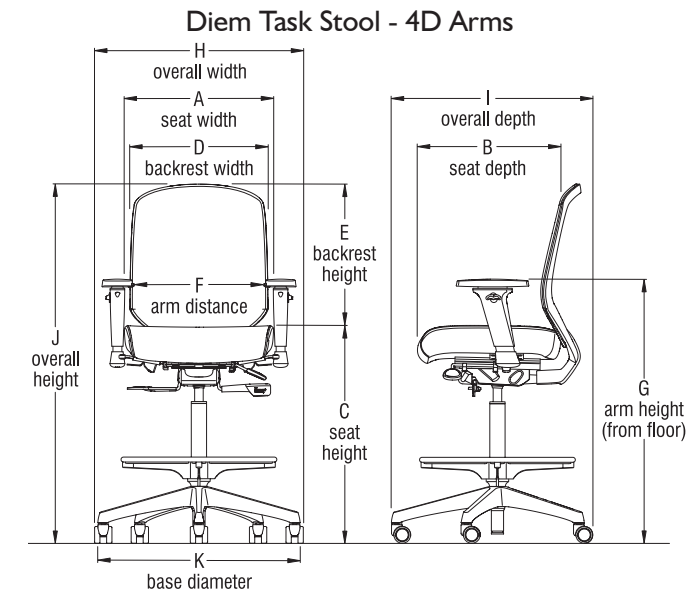
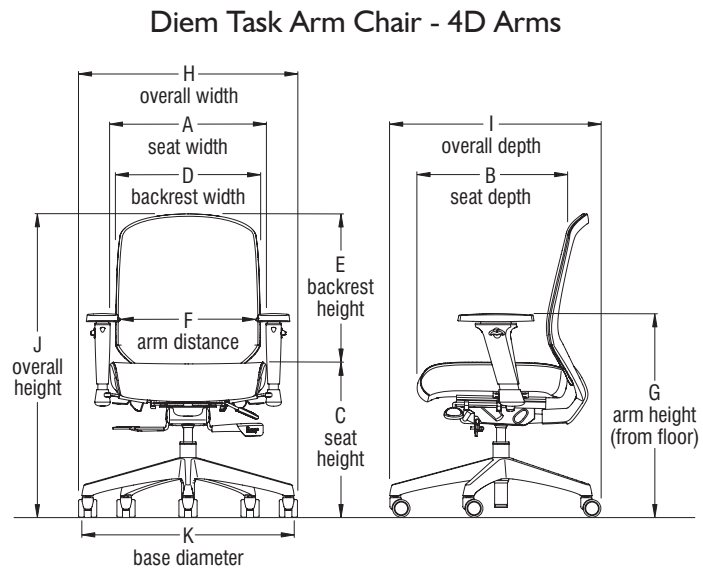
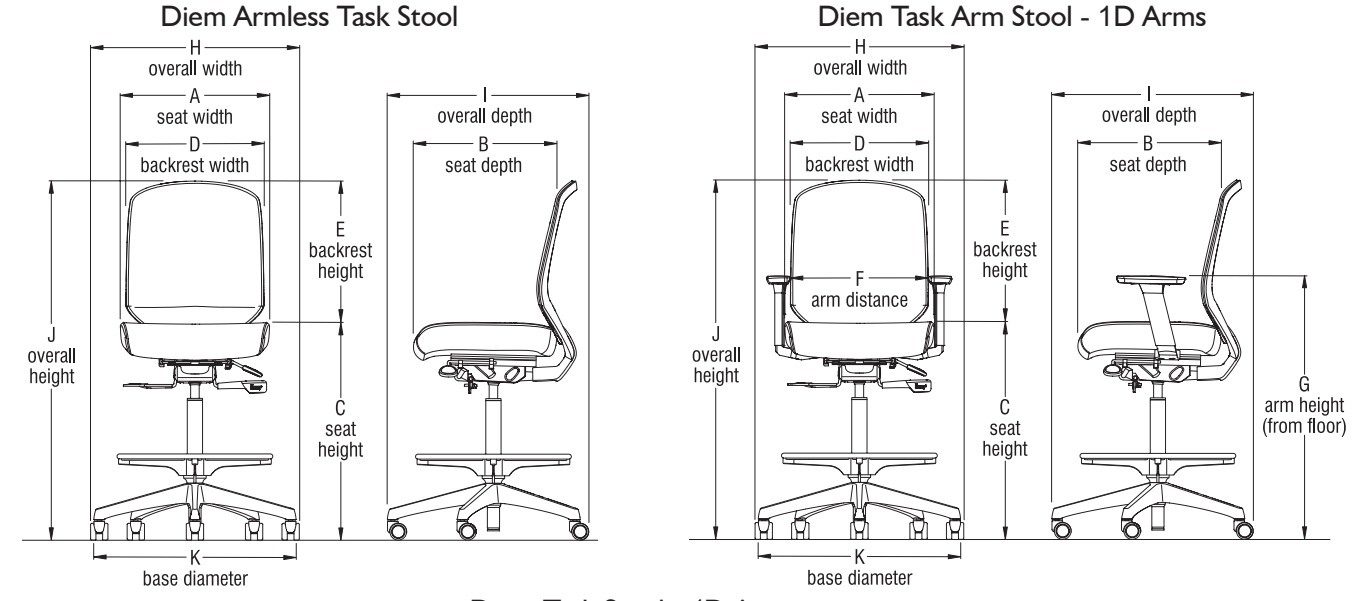
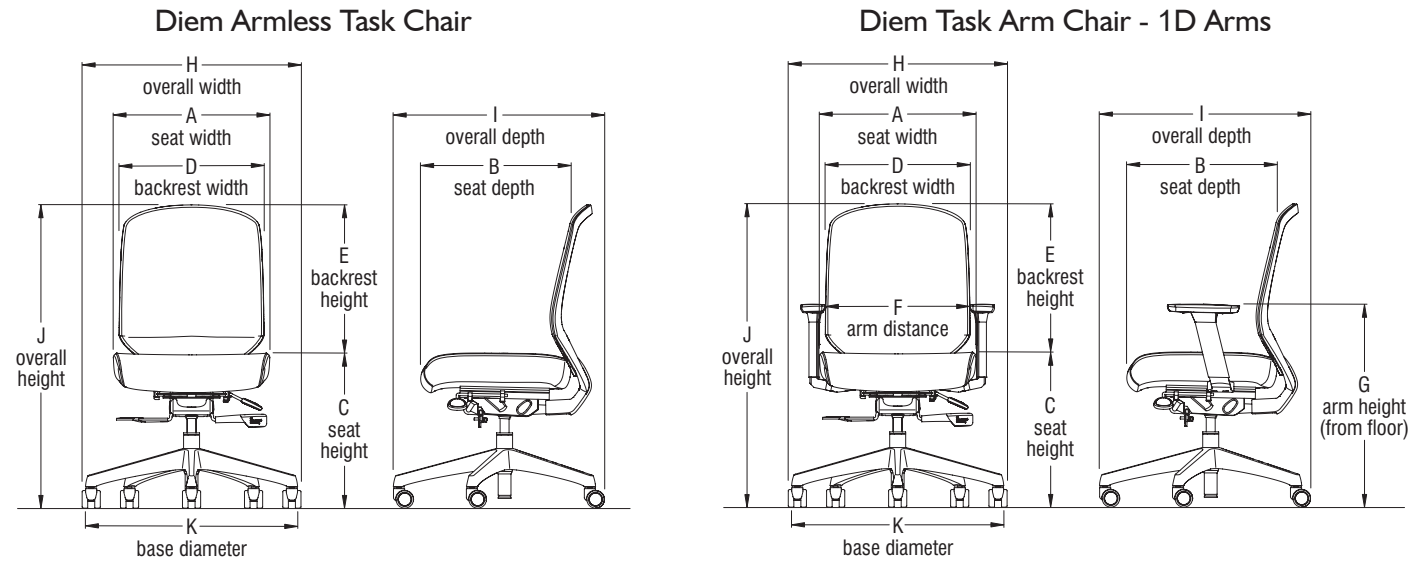
KIDE940



KIDE94B



KIDE94C



Model	A Seat Width	B Seat Depth	C Seat Height	D Backrest width	E Backrest Height (above seat)	F Inside Arm Distance	G Arm Height (from floor)	H Overall Width	I Overall Depth	J Overall Height	K Base Diameter
KIDE820	19 1/2"	17 1/2"	17 1/2" - 22 1/4"	17 1/2"	20 1/2"	--	--	27"	27"	38 3/4" - 43 1/2"	26"
KIDE82B	19 1/2"	17 1/2"	17 1/2" - 22 1/4"	17 1/2"	20 1/2"	18 1/2"	24 1/2" - 32 3/4"	27"	27"	38 3/4" - 43 1/2"	26"
KIDE82C	19 1/2"	17 1/2"	17 1/2" - 22 1/4"	17 1/2"	20 1/2"	15 3/4" - 19 1/2"	24 3/4" - 33 3/4"	27"	27"	38 3/4" - 43 1/2"	26"
KIDE840	19 1/2"	17 1/2" - 20"	18 1/4" - 23"	17 1/2"	20 1/2"	--	--	27"	27"	38 3/4" - 43 1/2"	26"
KIDE84B	19 1/2"	17 1/2" - 20"	18 1/4" - 23"	17 1/2"	20 1/2"	18 1/2"	24 1/2" - 32 3/4"	27"	27"	38 3/4" - 43 1/2"	26"
KIDE84C	19 1/2"	17 1/2" - 20"	18 1/4" - 23"	17 1/2"	20 1/2"	15 3/4" - 19 1/2"	24 3/4" - 33 3/4"	27"	27"	38 3/4" - 43 1/2"	26"

Model	A Seat Width	B Seat Depth	C Seat Height (without seat slide)	C Seat Height (with seat slide)	D Backrest width	E Backrest Height (above seat)	F Inside Arm Distance	G Arm Height (from floor)	H Overall Width	I Overall Depth	J Overall Height	K Base Diameter
KIDE920	19 1/2"	17 1/2"	24 1/4" - 32"	25" - 32 3/4"	17 1/2"	20 1/2"	--	--	27"	27"	43 1/4" - 51 1/4"	26"
KIDE92B	19 1/2"	17 1/2"	24 1/4" - 32"	25" - 32 3/4"	17 1/2"	20 1/2"	18 1/2"	29" - 40 1/2"	27"	27"	43 1/4" - 51 1/4"	26"
KIDE92C	19 1/2"	17 1/2"	24 1/4" - 32"	25" - 32 3/4"	17 1/2"	20 1/2"	15 3/4" - 19 1/2"	29 1/4" - 41 1/2"	27"	27"	43 1/4" - 51 1/4"	26"
KIDE940	19 1/2"	17 1/2" - 20"	24 1/4" - 32"	25" - 32 3/4"	17 1/2"	20 1/2"	--	--	27"	27"	43 1/4" - 51 1/4"	26"
KIDE94B	19 1/2"	17 1/2" - 20"	24 1/4" - 32"	25" - 32 3/4"	17 1/2"	20 1/2"	18 1/2"	29" - 40 1/2"	27"	27"	43 1/4" - 51 1/4"	26"
KIDE94C	19 1/2"	17 1/2" - 20"	24 1/4" - 32"	25" - 32 3/4"	17 1/2"	20 1/2"	15 3/4" - 19 1/2"	29 1/4" - 41 1/2"	27"	27"	43 1/4" - 51 1/4"	26"

Model	Weight-Activated	1D Arms	4D Arms	300 lb Weight Rating	Backrest Frame
KIDE820	*			*	*
KIDE82B	*	*		*	*
KIDE82C	*		*	*	*
KIDE840	*			*	*
KIDE84B	*	*		*	*
KIDE84C	*		*	*	*

Model	Weight-Activated	1D Arms	4D Arms	300 lb Weight Rating	Backrest Frame
KIDE920	*			*	*
KIDE92B	*	*		*	*
KIDE92C	*		*	*	*
KIDE940	*			*	*
KIDE94B	*	*		*	*
KIDE94C	*		*	*	*



Backrest Assembly Color

Black	BLBR
Grey	GYBR
White	WHBR




Backrest Assembly includes frame and coordinating mesh color.

Base Color

Aluminum base	A
Black plastic base	P

Polished aluminum base requires an upcharge.



MODEL	MODEL NUMBER				Approx. Packaged Weight	Delivered Pricing Fabric Grade 1 & C.O.M.	Delivered Pricing Fabric Grade 2	Delivered Pricing Fabric Grade 3 & Group 2V Vinyl	Delivered Pricing Pallas Fabric Group P0	Delivered Pricing Pallas Fabric Group P1	Delivered Pricing Pallas Fabric Group P2	Delivered Pricing Pallas Fabric Group P3	Delivered Pricing Pallas Fabric Group P4
	Basic Model	Backrest Color	Base Finish	Seat Upholstery									
 <p>Weight-Activated Task Chair, Armless</p> <ul style="list-style-type: none"> • Weight-activated mechanism • Black, grey or white frame/mesh backrest options • Black or polished aluminum base • 3.5" thick upholstered seat • Dual surface caster • 300 pound weight rating • Armless 	KIDE820	□□□□	□	□□□□□	45.00#	\$ 642	\$ 658	\$ 667	\$ 705	\$ 758	\$ 789	\$ 819	\$ 843
DIEM													
 <p>Weight-Activated Task Chair, 1D Arms</p> <ul style="list-style-type: none"> • Weight-activated mechanism • Black, grey or white frame/mesh backrest options • Black or polished aluminum base • 3.5" thick upholstered seat • Dual surface caster • 300 pound weight rating • 1D (height adjustable) arms 	KIDE82B	□□□□	□	□□□□□	48.00#	\$ 731	\$ 746	\$ 756	\$ 794	\$ 847	\$ 877	\$ 908	\$ 932
DIEM													
 <p>Weight-Activated Task Chair, 4D Arms</p> <ul style="list-style-type: none"> • Weight-activated mechanism • Black, grey or white frame/mesh backrest options • Black or polished aluminum base • 3.5" thick upholstered seat • Dual surface caster • 300 pound weight rating • 4D arms 	KIDE82C	□□□□	□	□□□□□	54.00#	\$ 899	\$ 915	\$ 925	\$ 963	\$ 1015	\$ 1046	\$ 1077	\$ 1101
DIEM													

A **B** **C** **D**

HOW TO ORDER

- Indicate the following information on order form:
1. Quantity of each item.
 2. Model number, including options. See "How To Build a Model Number".
 3. Any special service required.

Note: • The indicates that a choice is required.

- The absence of the indicates that no choice is required.
- Alpha-numeric characters in place of indicate that no other alternatives are available.

HOW TO BUILD A MODEL NUMBER

- A** Select basic model.
- B** Select backrest color. Refer to the **Product Color Options** page in this price list. *Backrest Assembly includes frame and coordinating mesh color.
- C** Select base finish. Refer to the **Product Color Options** page in this price list. *; add \$141 for polished aluminum base.
- D** Select seat upholstery. Refer to ki.com/fabrics

UPHOLSTERY INFORMATION

C.O.M. Upholstery
C.O.M. requirement for 10 chairs or less with upholstered seat or upholstered seat and back is 1 yard per chair of 54" wide nondirectional fabric. For orders of 11 or more with upholstered seat and back and for complete information on ordering C.O.M. see "Ordering Customer's Own Material (C.O.M) Upholstery." section.




SPECIAL SERVICES

Special Carton Marking
With specially marked information N/C

Shipping
Ships **knocked down, FOB Ontario, CA 91761, freight prepaid.** Freight class 125.

Specifications and prices are subject to change without prior notice.



MODEL	MODEL NUMBER				Approx. Packaged Weight	Delivered Pricing Fabric Grade 1 & C.O.M.	Delivered Pricing Fabric Grade 2	Delivered Pricing Fabric Grade 3 & Group 2V Vinyl	Delivered Pricing Pallas Fabric Group P0	Delivered Pricing Pallas Fabric Group P1	Delivered Pricing Pallas Fabric Group P2	Delivered Pricing Pallas Fabric Group P3	Delivered Pricing Pallas Fabric Group P4
	Basic Model	Backrest Color	Base Finish	Seat Upholstery									
 <p>Weight-Activated Task Chair with Seat Depth Adjustment, Armless</p> <ul style="list-style-type: none"> • Weight-activated mechanism • Black, grey or white frame/mesh backrest options • Seat depth adjustment • Black or polished aluminum base • 3.5" thick upholstered seat • Dual surface caster • 300 pound weight rating • Armless 	KIDE840	□□□□	□	□□□□□	50.00#	\$ 700	\$ 716	\$ 725	\$ 763	\$ 816	\$ 847	\$ 877	\$ 901
DIEM													
 <p>Weight-Activated Task Chair with Seat Depth Adjustment, 1D Arms</p> <ul style="list-style-type: none"> • Weight-activated mechanism • Black, grey or white frame/mesh backrest options • Seat depth adjustment • Black or polished aluminum base • 3.5" thick upholstered seat • Dual surface caster • 300 pound weight rating • 1D (height adjustable) arms 	KIDE84B	□□□□	□	□□□□□	53.00#	\$ 789	\$ 804	\$ 814	\$ 852	\$ 905	\$ 935	\$ 966	\$ 990
DIEM													
 <p>Weight-Activated Task Chair with Seat Depth Adjustment, 4D Arms</p> <ul style="list-style-type: none"> • Weight-activated mechanism • Black, grey or white frame/mesh backrest options • Seat depth adjustment • Black or polished aluminum base • 3.5" thick upholstered seat • Dual surface caster • 300 pound weight rating • 4D arms 	KIDE84C	□□□□	□	□□□□□	62.00#	\$ 957	\$ 973	\$ 983	\$ 1021	\$ 1073	\$ 1104	\$ 1135	\$ 1159
DIEM													

A **B** **C** **D**

HOW TO ORDER

- Indicate the following information on order form:
1. Quantity of each item.
 2. Model number, including options. See "How To Build a Model Number".
 3. Any special service required.

Note:

- The indicates that a choice is required.
- The absence of the indicates that no choice is required.
- Alpha-numeric characters in place of indicate that no other alternatives are available.

HOW TO BUILD A MODEL NUMBER

- A** Select basic model.
- B** Select backrest color. Refer to the **Product Color Options** page in this price list. *Backrest Assembly includes frame and coordinating mesh color.
- C** Select base finish. Refer to the **Product Color Options** page in this price list. *; add \$141 for polished aluminum base.
- D** Select seat upholstery. Refer to ki.com/fabrics

UPHOLSTERY INFORMATION

C.O.M. Upholstery
C.O.M. requirement for 10 chairs or less with upholstered seat or upholstered seat and back is 1 yard per chair of 54" wide nondirectional fabric. For orders of 11 or more with upholstered seat and back and for complete information on ordering C.O.M. see "Ordering Customer's Own Material (C.O.M) Upholstery." section.




SPECIAL SERVICES

Special Carton Marking
With specially marked information N/C

Shipping
Ships **knocked down, FOB Ontario, CA 91761, freight prepaid.** Freight class 125.

Specifications and prices are subject to change without prior notice.



MODEL	MODEL NUMBER				Approx. Packaged Weight	Delivered Pricing Fabric Grade 1 & C.O.M.	Delivered Pricing Fabric Grade 2	Delivered Pricing Fabric Grade 3 & Group 2V Vinyl	Delivered Pricing Pallas Fabric Group P0	Delivered Pricing Pallas Fabric Group P1	Delivered Pricing Pallas Fabric Group P2	Delivered Pricing Pallas Fabric Group P3	Delivered Pricing Pallas Fabric Group P4
	Basic Model	Backrest Color	Base Finish	Seat Upholstery									
 <p>Weight-Activated Task Stool, Armless</p> <ul style="list-style-type: none"> • Weight-activated mechanism • Black, grey or white frame/mesh backrest options • Black or polished aluminum base • 3.5" thick upholstered seat • Dual surface caster • 300 pound weight rating • Armless • Seat height range of 24.25" - 32" 	KIDE920	□□□□	□	□□□□□	48.00#	\$ 777	\$ 793	\$ 802	\$ 840	\$ 893	\$ 924	\$ 954	\$ 978
 <p>Weight-Activated Task Stool, 1D Arms</p> <ul style="list-style-type: none"> • Weight-activated mechanism • Black, grey or white frame/mesh backrest options • Black or polished aluminum base • 3.5" thick upholstered seat • Dual surface caster • 300 pound weight rating • 1D (height adjustable) arms • Seat height range of 24.25" - 32" 	KIDE92B	□□□□	□	□□□□□	51.00#	\$ 866	\$ 881	\$ 890	\$ 929	\$ 982	\$ 1012	\$ 1043	\$ 1067
 <p>Weight-Activated Task Stool, 4D Arms</p> <ul style="list-style-type: none"> • Weight-activated mechanism • Black, grey or white frame/mesh backrest options • Black or polished aluminum base • 3.5" thick upholstered seat • Dual surface caster • 300 pound weight rating • 4D arms • Seat height range of 24.25" - 32" 	KIDE92C	□□□□	□	□□□□□	57.00#	\$ 1034	\$ 1050	\$ 1060	\$ 1098	\$ 1150	\$ 1181	\$ 1212	\$ 1236
	A	B	C	D									

HOW TO ORDER

- Indicate the following information on order form:
1. Quantity of each item.
 2. Model number, including options. See "How To Build a Model Number".
 3. Any special service required.

Note: • The indicates that a choice is required.

- The absence of the indicates that no choice is required.
- Alpha-numeric characters in place of indicate that no other alternatives are available.

HOW TO BUILD A MODEL NUMBER

- A** Select basic model.
- B** Select backrest color. Refer to the **Product Color Options** page in this price list. *Backrest Assembly includes frame and coordinating mesh color.
- C** Select base finish. Refer to the **Product Color Options** page in this price list. *; add \$141 for polished aluminum base.
- D** Select seat upholstery. Refer to ki.com/fabrics

UPHOLSTERY INFORMATION

C.O.M. Upholstery
C.O.M. requirement for 10 chairs or less with upholstered seat or upholstered seat and back is 1 yard per chair of 54" wide nondirectional fabric. For orders of 11 or more with upholstered seat and back and for complete information on ordering C.O.M. see "Ordering C.O.M., C.O.V. and C.O.L." section.




SPECIAL SERVICES

Special Carton Marking
With specially marked information N/C

Shipping
Ships **knocked down, FOB Ontario, CA 91761, freight prepaid.** Freight class 125.

Specifications and prices are subject to change without prior notice.



MODEL	MODEL NUMBER				Approx. Packaged Weight	Delivered Pricing Fabric Grade 1 & C.O.M.	Delivered Pricing Fabric Grade 2	Delivered Pricing Fabric Grade 3 & Group 2V Vinyl	Delivered Pricing Pallas Fabric Group P0	Delivered Pricing Pallas Fabric Group P1	Delivered Pricing Pallas Fabric Group P2	Delivered Pricing Pallas Fabric Group P3	Delivered Pricing Pallas Fabric Group P4
	Basic Model	Backrest Color	Base Finish	Seat Upholstery									
 <p>Weight-Activated Task Stool with Seat Depth Adjustment, Armless</p> <ul style="list-style-type: none"> • Weight-activated mechanism • Black, grey or white frame/mesh back-rest options • Black or polished aluminum base • 3.5" thick upholstered seat • Dual surface caster • 300 pound weight rating • Armless • Seat height range of 25" - 32.75" 	KIDE940	□□□□	□	□□□□□	53.00#	\$ 835	\$ 851	\$ 860	\$ 898	\$ 951	\$ 982	\$ 1012	\$ 1037
DIEMS													
 <p>Weight-Activated Task Stool with Seat Depth Adjustment, 1D Arms</p> <ul style="list-style-type: none"> • Weight-activated mechanism • Black, grey or white frame/mesh back-rest options • Black or polished aluminum base • 3.5" thick upholstered seat • Dual surface caster • 300 pound weight rating • 1D (height adjustable) arms • Seat height range of 25" - 32.75" 	KIDE94B	□□□□	□	□□□□□	57.00#	\$ 925	\$ 941	\$ 950	\$ 988	\$ 1041	\$ 1071	\$ 1102	\$ 1126
DIEMS													
 <p>Weight-Activated Task Stool with Seat Depth Adjustment, 4D Arms</p> <ul style="list-style-type: none"> • Weight-activated mechanism • Black, grey or white frame/mesh back-rest options • Black or polished aluminum base • 3.5" thick upholstered seat • Dual surface caster • 300 pound weight rating • 4D arms • Seat height range of 25" - 32.75" 	KIDE94C	□□□□	□	□□□□□	66.00#	\$ 1092	\$ 1108	\$ 1118	\$ 1156	\$ 1208	\$ 1239	\$ 1270	\$ 1294
DIEMS													
	A	B	C	D									

HOW TO ORDER

- Indicate the following information on order form:
1. Quantity of each item.
 2. Model number, including options. See "How To Build a Model Number".
 3. Any special service required.

Note:

- The indicates that a choice is required.
- The absence of the indicates that no choice is required.
- Alpha-numeric characters in place of indicate that no other alternatives are available.

HOW TO BUILD A MODEL NUMBER

- A** Select basic model.
- B** Select backrest color. Refer to the **Product Color Options** page in this price list. *Backrest Assembly includes frame and coordinating mesh color.
- C** Select base finish. Refer to the **Product Color Options** page in this price list. *Add ; add \$141 for polished aluminum base.
- D** Select seat upholstery. Refer to ki.com/fabrics

UPHOLSTERY INFORMATION

C.O.M. Upholstery
C.O.M. requirement for 10 chairs or less with upholstered seat or upholstered seat and back is 1 yard per chair of 54" wide nondirectional fabric. For orders of 11 or more with upholstered seat and back and for complete information on ordering C.O.M. see "Ordering C.O.M., C.O.V. and C.O.L." section.

SPECIAL SERVICES

Special Carton Marking
With specially marked information N/C

Shipping
Ships **knocked down, FOB Ontario, CA 91761, freight prepaid.** Freight class 125.

Specifications and prices are subject to change without prior notice.



1330 BELLEVUE STREET
GREEN BAY, WI 54302
800.424.2432 / KI.COM

KI is a trusted expert for furniture and wall systems around the globe.
USA | CANADA | MEXICO | UK | EUROPE | ASIA | MIDDLE EAST
© 2026 Krueger International, Inc. All Rights Reserved.