



HUB[®] LOUNGE FURNITURE

PRICE LIST

EFFECTIVE SEPTEMBER 3, 2025
800.424.2432



Fabric Yardage Pricing	3
-------------------------------	----------

Ordering Customer's Own Material (C.O.M.) Upholstery	
Information	4

Hub®	
General Information	6
Product Color Options	10

Hub®	
Lounge Seating	11
Tables	15
Screens and Accessories	16



Yardage	Grade	List Price Per Yard
1	C	\$ 49
1	D	\$ 64
1	E	\$ 78
1	F	\$ 100
1	G	\$ 122
1	H	\$ 144
1	I	\$ 178
1	J	\$ 222
1	K	\$ 289
1	L	\$ 333
1	M	\$ 422



Customer's Own Material ■

Specifications Form

January 2023

How to Specify

As a standard procedure, KI applies seating upholstery as swatched by the textile distributor. Reference distributor's website. Upholstery that is required to be applied differently than is swatched, will need a Product Modification Request written specifying the direction the upholstery is to be applied.

Seating upholstery requiring specific positioning of intricate patterns or patterns repeats on seats and backrests, will need a Product Modification Request written including a sketch noting the specific requirements, as in Diagram A.

C.O.M. must be supplied in continuous yardage.

Yardage requirements listed in price list are based on plain goods 54" wide. Fabrics less than 54" wide, or those requiring matching (stripes, plaids, prints, large patterns) will require additional yardage based on the fabric used and the item ordered. Consult matrix below for additional yardage needed.

C.O.M. INCREASE MATRIX (yardage matrix is also applicable to any reservations of KI Ingrade, Pallas, or K.O.M. upholsteries).

This table is a general guide.

FABRIC WIDTH	PLAIN FABRIC	UNDER 7"	8"-13"	14"-21"	22"-27"	28"-33"	34"-40"	41"-48"
	FABRIC	REPEAT	REPEAT	REPEAT	REPEAT	REPEAT	REPEAT	REPEAT
54"	0	20%	25%	30%	45%	55%	70%	80%
51"-53"	15%	25%	30%	35%	50%	60%	80%	90%
48"-50"	20%	30%	35%	40%	55%	65%	85%	95%
45"-47"	30%	45%	50%	55%	60%	80%	90%	100%
36"-44"	50%	65%	70%	75%	80%	100%	110%	120%

Fabric with double repeat: If using a fabric with a double repeat, please follow this formula: take the total amount of the larger and half of the smaller repeat; add together to find the correct overall repeat. Example: 10" vertical with 14" horizontal would be $14 + \frac{10}{2} = 19$.

If fabric comes in on multiple rolls, one additional yard per roll needs to be added to the yardage requirement.

Leather hides must be a minimum of 50 square feet of usable material. The outer edges cannot be calculated as square feet or yardage. To determine square footage, multiply unit yardage by 18 square feet to obtain the total square footage required per unit.

For exact production yardage requirements, call 1-800-424-2432, ext. 2707.

Production

Customer's upholstery must be approved prior to acceptance for production.

After approval, a memo swatch of the C.O.M. from the textile distributor must accompany the order. KI assumes no responsibility for wear, defects, or performance of C.O.M. or K.O.M. upholstery.

C.O.M. not received into the appropriate facility 3 weeks prior to acknowledged delivery date may go on hold. See KI C.O.M. Shipping Location listing for the correct facility address by product.

All C.O.M. must be labeled as follows:

1. Name and address
2. Your purchase order number
3. Our style number to which fabric is to be applied
4. Supplier name and fabric name, number, and color

ALL C.O.M. Shipments must be prepaid. Collect shipments will be refused.

Testing

When KI requires testing, actual yardage to upholster one chair may be required. The C.O.M. Specialist will confirm model and fabric testing requirements when applicable.

Approved test samples will be applied to the order or will be held for 6 months. After 6 months, the sample will no longer be applied to your order. For all product testing, send fabric samples to the manufacturing facility. See KI C.O.M. Shipping Location listing for the correct facility address by product.

ALL C.O.M. Shipments must be prepaid. Collect shipments will be refused.

Treated Materials

If C.O.M. requires processing such as a stain resistance treatment or acrylic backing, it may shrink. To prevent delays in delivery or back ordering due to shrinkage, please have your processor verify measurement after processing and assure adequate yardage shipped.

Split Orders

If a portion of the shipment which does not require C.O.M. application is to be processed and shipped early, KI will enter the order immediately at your request. These split shipments are subject to minimum order changes.

Excess Upholstery Material

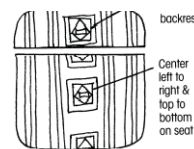
KI will dispose of excess upholstery material at the time of shipment unless expressly requested to return it with the product shipment.

Cancelled or Changed Orders

KI assumes no responsibility for extra C.O.M. due to a change of upholstery or cancellation of an order. If it the customer's responsibility to arrange for return of the material.

Contact the C.O.M. Specialist at 1-800-424-2432, ext. 2707, with questions or to request a split order

Diagram A





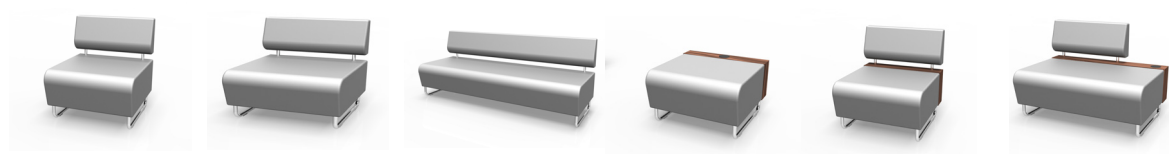
C.O.M. SHIPPING LOCATION



Architectural Walls	Panel Systems	Impress Ultra OM
Evoke..... MN	All Terrain..... KP	Intellect Wave GB
Genius..... MN	Balance MN	Jessa HN
Casegoods	Universal MN	Jubilee VQ
Aristotle..... MN	Wireworks MN	Katera..... GB
Likha..... MN	Unite..... MN	Kurv Benches..... HN
Classroom Furniture	Residence Hall Furniture	Learn2..... GB
Cogni GB	RoomScape MN	LimeLite..... GB
Intellect Wave GB	Screens	Lyra HN
Learn2..... GB	All Terrain..... KP	Medical & Laboratory Stools..... OM
Ruckus..... GB	Connection Zone..... BW	MyPlace HN
Desking	Tributaire..... BW	MyWay HN
700 Series KP	True/Volition KP	Oath GB
Balance MN	Genesis..... KP	Opt4 GB
Genesis MN	Tattoo..... MN	Pilot OM
True KP	Universal..... BW	Promenade..... BW
Universal MN	Seating	Ruckus..... GB
WorkZone MN	600 Series..... BW	Sela HN
Files & Storage	Affina HN	Sift GB
700 Series..... GB	Altus GB	Signia..... OM
Connection BW	Apply GB	Soltice Metal HN
U-Series GB	Calida HN	Soltice..... HN
Tattoo..... BW	Cascha VT	Sonrisa HN
Fixed Seating	Civara VT	Strive GB
Concerto..... BW	Clamber HN	Sway BW
Single Pedestal GB	Cogni GB	Tattoo..... HN
Jury Base GB	Diem OM	Torsion-on-the-Go! GB
Lancaster..... BW	Doni GB	Torsion Air GB
Sequence GB	Gladly VQ	Zeker HN
University GB	Grazie GB	Zentori VT
	Hub HN	Zoetry HN
	Impress OM	

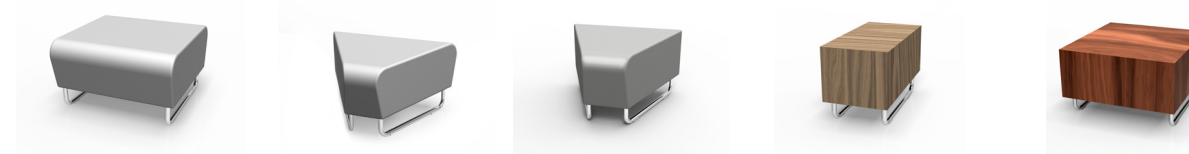
KI C.O.M. Manufacturing Site Addresses:

<u>BW</u> KI Bonduel Attn: COM Storage 204 West South St. Bonduel, WI 54107	<u>HN</u> KI High Point Attn: COM Storage 217 Feld Avenue High Point, NC 27263	<u>MN</u> KI Manitowoc Attn: COM Storage 1400 S. 41st St. Manitowoc, WI 54220	<u>VQ</u> KI Attn: COM Fabrics 6892 Marlin Circle La Palma, CA 90623
<u>GB</u> KI Green Bay Attn: COM Storage 1687 Westminster Drive - Gate 3 Green Bay, WI 54302	<u>KP</u> KI Pembroke Attn: COM Storage 1000 Olympic Dr. Pembroke, Ontario K8A6X7	<u>OM</u> KI Attn: COM Storage 1110 S. Mildred Ave. Ontario, CA 91761	<u>VT</u> KI Attn: COM Storage 2803 South Taylor Drive Sheboygan, WI 53081



Armless Lounge (H23) Armless Lounge (H33) Armless Lounge (H43) Laminate Back Lounge (H20B) Laminate Back Lounge (H23B) Laminate Back Lounge (H33LB)

General Dimensions						
Seat width	26"	39"	78"	26"	26"	39"
Seat depth	21"	21"	21"	21"	21"	21"
Seat height	17"	17"	17"	17"	17"	17"
Overall Dimensions						
Width	26"	39"	78"	26"	26"	39"
Depth	26"	26"	26"	26"	26"	26"
Height	30-1/4"	30-1/4"	30-1/4"	30-1/4"	30-1/4"	30-1/4"
Height w/Privacy Screen	57"	57"	57"	57"	57"	57"



Ottoman (H20) Wedge (H60W) Wedge (H45W) Table (H13T) Table (H24T)

General Dimensions				
Seat width	26"	34"	27-1/2"	
Seat depth	26"	23"	24"	
Seat height	17"	17"	17"	
Overall Dimensions				
Width	26"	34"	27-1/2"	13"
Depth	26"	23"	24"	26"
Height	17"	17"	17"	17"



Black/Black Power Module



Silver/White Power Module



White/White Power Module

UPHOLSTERY INFORMATION

C.O.M. Fabric

For C.O.M. fabric sent to KI-High Point on multiple rolls, add an additional yard of fabric per roll to the yardage requirements. Multiple rolls have shorter pieces of fabric on them and do not allow nesting and stacking of the fabric to achieve the best yield as is done with one large roll. This results in yardage shortages and requests for additional fabric from the client, which can delay an order. For each roll that is sent, one yard needs to be added to one of the rolls, not separately.

Fabric Disclaimer

Fabric will be applied as swatched by the fabric manufacturer. Fabric that is required to be applied differently than is swatched will need a Product Modification Request written specifying the direction the fabric is to be applied.

FINISH INFORMATION

Color Match

KI offers the additional option of color matching paint, polypropylene, or wood stain through Product Modification Requests. Contact Customer Service for details.

INFORMATION

Warranty

Refer to KI Terms & Conditions document or visit ki.com

TECHNICAL SPECIFICATIONS

Wood Frame Construction

Seat frames are constructed of $\frac{3}{4}$ " laminated hardwood plywood that is CNC cut with $\frac{5}{4}$ Maple cross rails. Ottomans are constructed of $\frac{3}{4}$ " laminated hardwood plywood. All mainframe joints are nailed and glued. Stress points are further reinforced with the use of glue blocks that are stapled or screwed in place. Plywood is assembled with notch and pocket type connections.

Sled Base Construction

All legs are constructed of 1" O.D. by 16-gauge round steel tubing welded to 14-gauge steel mounting plate and secured to the frame with sixteen #10 x $1\frac{1}{2}$ " steel pan head wood screws. Optional glides are black nylon, press-fit to the underside of the metal tubing.

Backrest Supports

Backrest supports are $1\frac{1}{8}$ " O.D. by 16-gauge steel for lounges with laminated transom, or 12-gauge steel tubing inserted over $\frac{7}{8}$ " O.D. by 16-gauge steel tubing, for all fully upholstered models. Backrest supports are fastened to the wooden lounge frames using $\frac{1}{4}$ -20 steel bolts into steel threaded inserts.

Suspension - Seats & Backs

The seat is constructed with stretch strap webbing, inner woven and stapled into position. Both seats and backs are covered with a layer of FLW (reinforced non-woven fiber) on top.

Foam – Seats & Backs

The back foam has a density of 1.5 and compression of 26 lb, is 3" thick and contour cut for consistency. The seat foam is 6" thick with a density of 2.5 and compression of 45 lb. A $\frac{1}{2}$ " super soft wrap covers the front and top of the seat.

Laminated Lounge Transom

Surface is .035" thick high-pressure laminate over 15 mm thick plywood. All joints are glued and stapled or nailed for strength.

Laminated Tables Model H24T

The table panels and top are 15 mm thick laminated plywood, with .035" thick high-pressure laminate on all sides and top. Panels are secured together using glued joints, staples and wood screws.

Gangers

UL HB rated nylon hooks and glass filled nylon pegs are mounted to 14-gauge steel plates with thread locking screws and steel inserts. The ganging plate assemblies are mounted to the wood frame using #10 x $1\frac{1}{2}$ " wood screws.

Electrical Wire Routing Conduit

Polypropylene extrusion, $1\frac{5}{8}$ " x 1" cut to length, is fastened to the underside of any lounge product with wood screws.

Ottoman & Wedge Optional Handle

An optional handle is available on HUB ottoman and wedge units. Handles are constructed of $\frac{1}{2}$ " dia. solid steel, with a powder-coated finish applied. Handles are attached to the frame using two steel $\frac{1}{4}$ -20 x 2" pan head screws into steel inserts. When specified on HUB wedges, the handle must attach to the long side of the wedge.

Accessories

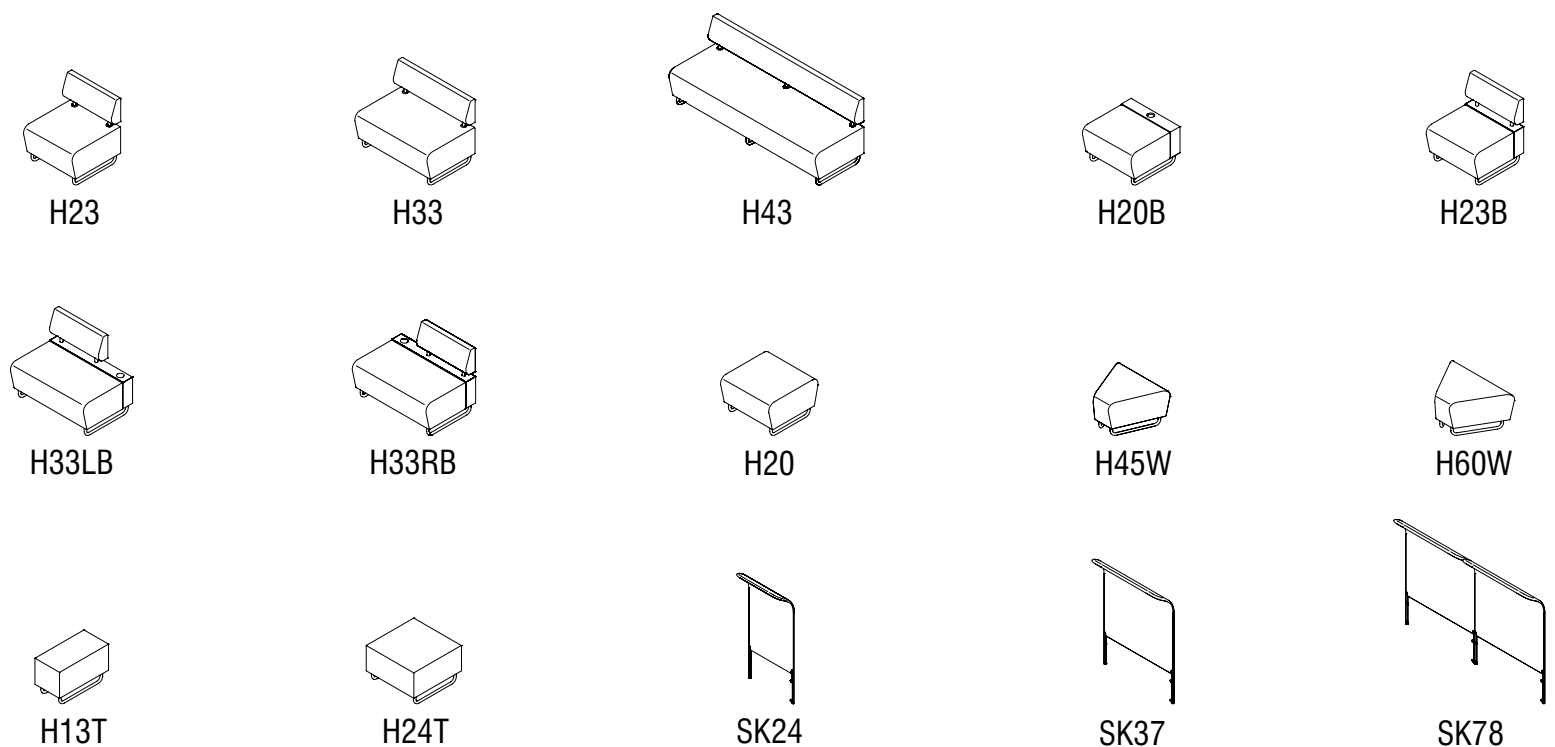
Power Module

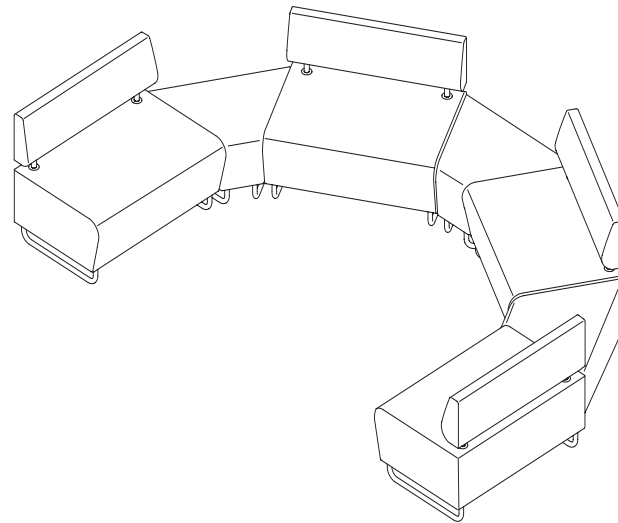
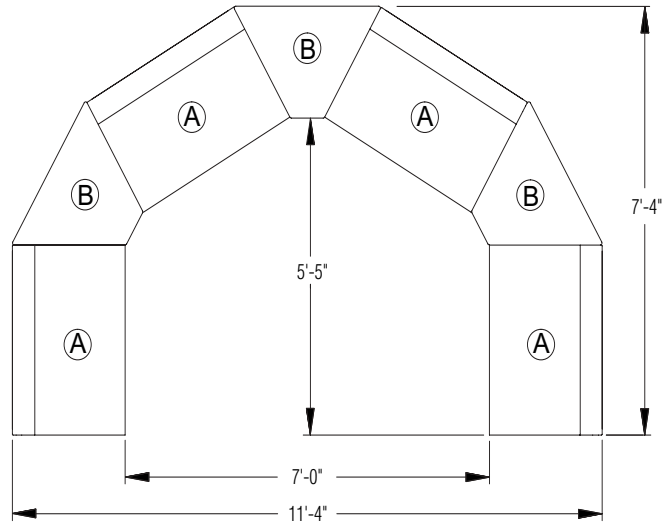
The USB/AC power module houses one 15-amp, 125 volt AC simplex receptacle with one 2.1-amp, 5 volt DC USB Type A and one Type C ports (2.0 and 3.0 compatible, no data). Provides device charging and direct AC Power. The power cord is a 14 AWG, 15-amp NEMA rated, three conductor SJT, with a three prong grounded plug. The 3-prong plug is oriented straight off the power cord. 54" of exposed cord will extend from the bottom/back of the Hub pieces. The power cord is strain relief mounted to the rear of the housing. The entire electrical power module assembly is UL listed and passes a UL spill test rating for protection against liquids. Both USB ports can power and charge separate mobile devices, simultaneously. This optional Power Module is available in three powder-coat colors: Black, White, Silver.

The Hub power module can be specified on the following Hub units: H20B, H33LB, H33RB, H13T, and H24T.

Privacy Screens

The Hub fabric screen kit consists of one fully assembled steel tubular frame, covered in fabric. Four screws secure the screen to the back of the Hub Lounge unit. The privacy screen's steel tubular frame is formed and welded using $\frac{3}{4}$ " diameter, 16-gauge steel. Screen frames are $52\frac{1}{2}$ " tall and are available in two widths, 24" and 37". Both sizes measure just short of the full width of any single lounge or loveseat model, and overall height is 57" when installed to a lounge unit. Two each of the 37" wide screen kits are used for the 78" wide sofa model. The screen fabric contains Spandex, a synthetic fiber known for its exceptional elasticity. Spandex is composed of at least 85% polyurethane by weight. The fiber content of Spandex used for the Hub Screens is 90% polyester and 10% Spandex.

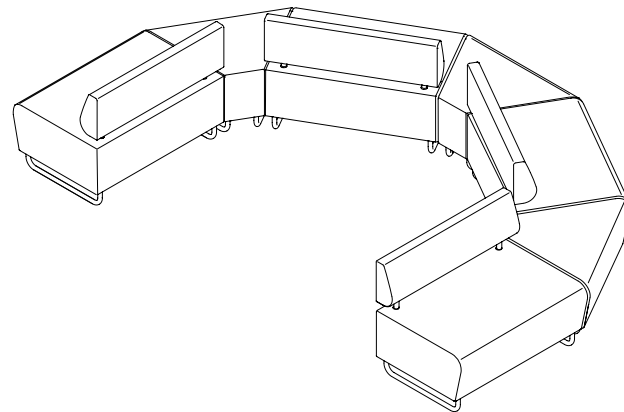
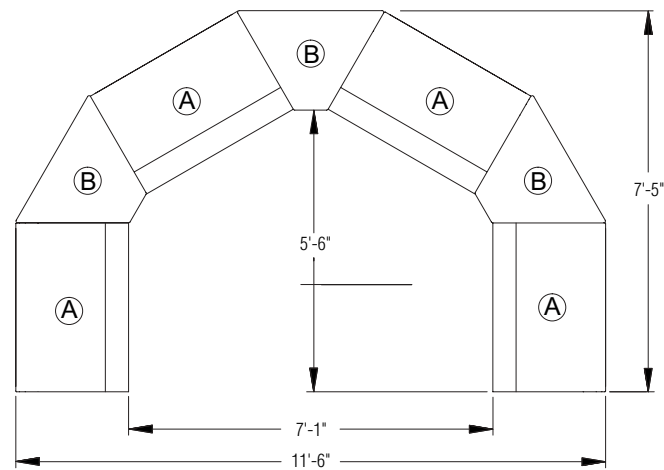




QTY	MODEL	ITEM
4	H33	A
3	H60WI	B

Inside Half Circle Configuration

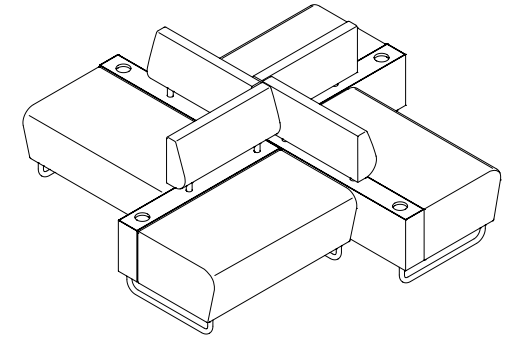
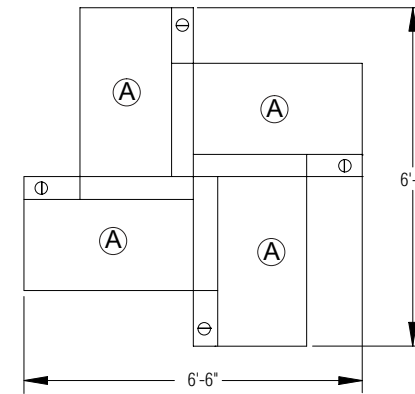
* All configurations consist of multiple individual units.
Gangers must be specified on each individual unit in order to connect units.



QTY	MODEL	ITEM
4	H33	A
3	H60W	B

Outside Half Circle Configuration

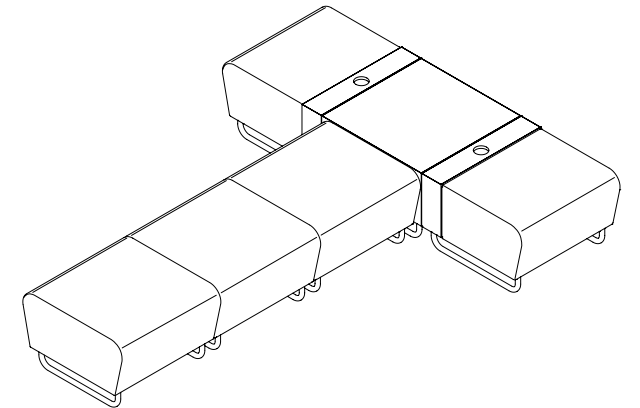
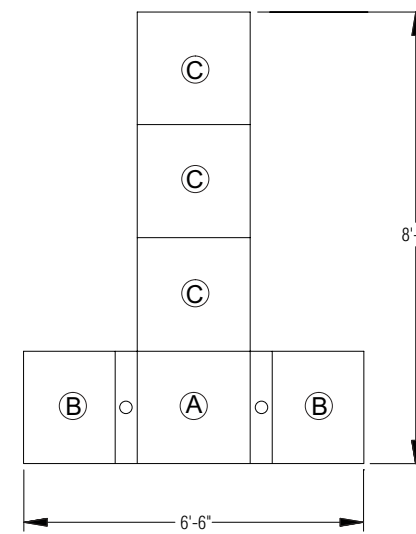
* All configurations consist of multiple individual units.
Gangers must be specified on each individual unit in order to connect units.



QTY	MODEL	ITEM
4	H33RB	A

Wheel Configuration

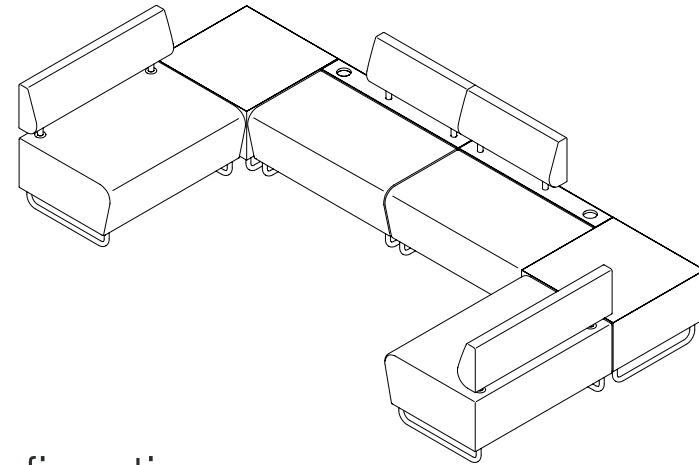
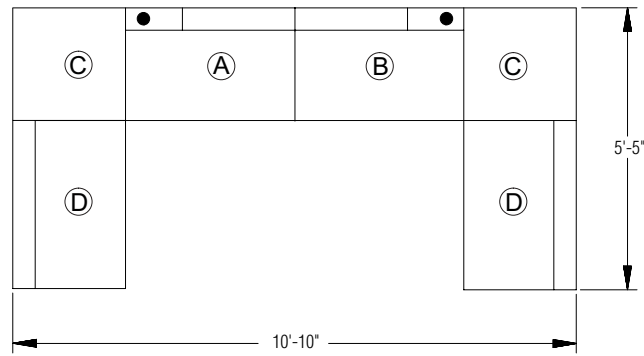
* All configurations consist of multiple individual units.
Gangers must be specified on each individual unit in order to connect units.



QTY	MODEL	ITEM
1	H24T	A
2	H20B	B
3	H20S	C

T-Shape Configuration

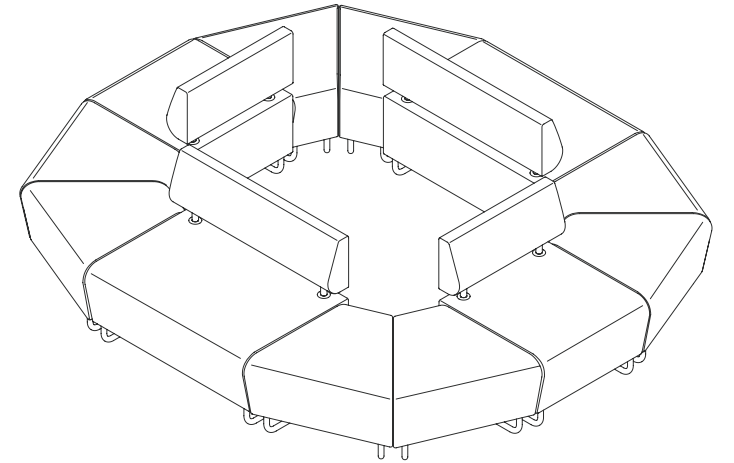
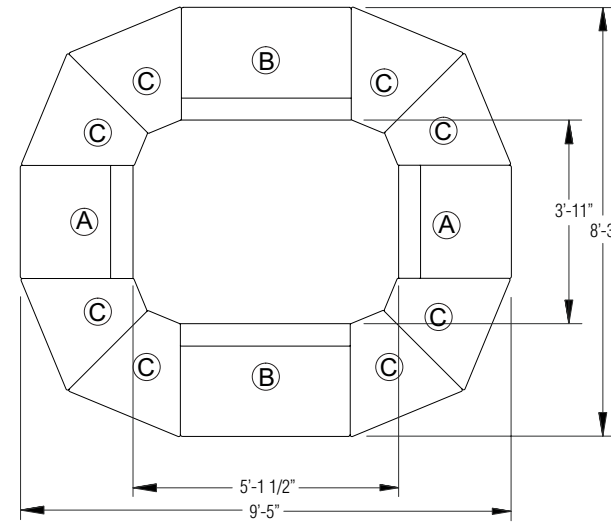
* All configurations consist of multiple individual units.
Gangers must be specified on each individual unit in order to connect units.



QTY	MODEL	ITEM
1	H33RB	A
1	H33LB	B
2	H24T	C
2	H33	D

U-Shape Configuration

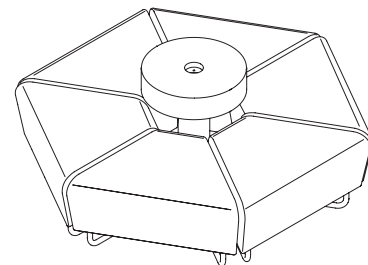
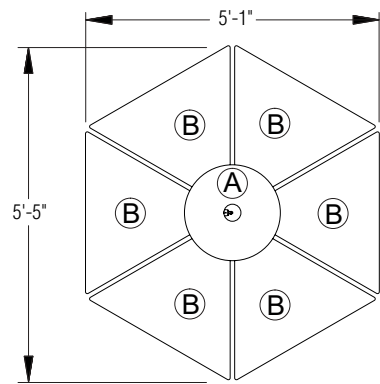
* All configurations consist of multiple individual units.
Gangers must be specified on each individual unit in order to connect units.



QTY	MODEL	ITEM
2	H23	A
2	H33	B
8	H45WO	C

Column Configuration

* All configurations consist of multiple individual units.
Gangers must be specified on each individual unit in order to connect units.



QTY	MODEL	ITEM
1	H25DT	A
6	H60WO	B

Outside Docking Configuration

* All configurations consist of multiple individual units.



Base Finish		Frosty White	LFW		
Black	BL	Graphite Nebula	LGN	Table Side - Secondary Laminate	
Blue Grey	GR	Grey	LGE	Beigewood	LBZ2
Bronze Metallic	ZM	High Rise	LHE	Belair	LBQ2
Cayenne	CY	Hollyberry	LHY	Biltmore Cherry	LBT2
Champagne Metallic	CM	Island	LID	Black	LBK2
Chrome	CH	Italian Silver Ash	LIT	Brighton Walnut	LBW2
Cool Grey	CG	Kensington Maple	LKM	Castle Oak	LCO2
Cottonwood	CO	Lapis Blue	LLB	Cherry Storm	LCX2
Earthen Clay	EY	Markerboard White	LMK	Classic Linen	LCI2
Espresso Metallic	EX	Monticello Maple	LMT	Cocobala	LCC2
Everglade Shade	EV	North Sea	LNA	Crisp Linen	LRI2
Flannel	FN	Ocean	LON	Designer White	LDR2
Glitz Metallic	GZ	Pinnacle Walnut	LPW	Dove Grey	LDG2
Hazy Jade	HJ	River Cherry	LRY	Florence Walnut	LFC2
Honey Bee	HY	Shadow Zephyr	LSR	Friston Ash	LFH2
Light Tone	LG	Sterling Ash	LAZ	Frosty White	LFW2
Mardi Gras	MG	Titanium Evolv	LTV	Graphite Nebula	LGN2
Misty Brown	MY	White Nebula	LWL	Grey	LGE2
Nemo	NE	White Sand	LWN	High Rise	LHE2
Nordic	ND	Windsor Mahogany	LWY	Hollyberry	LHY2
Poppy Red	PR			Island	LID2
Purple Haze	PH	Table Top - Primary Laminate		Italian Silver Ash	LIT2
Rainforest	RQ	Beigewood	LBZ	Kensington Maple	LKM2
Raw Jasper	RJ	Belair	LBQ	Lapis Blue	LLB2
Rubber Ducky	RK	Biltmore Cherry	LBT	Markerboard White	LMK2
Sand	SA	Black	LBK	Monticello Maple	LMT2
Sky Blue	SK	Brighton Walnut	LBW	North Sea	LNA2
Starlight Silver Metallic	SX	Castle Oak	LCO	Ocean	LON2
Surf's Up	SP	Cherry Storm	LCX	Pinnacle Walnut	LPW2
Tarragon	TQ	Classic Linen	LCI	River Cherry	LRY2
Twilight Shadow	TI	Cocobala	LCC	Shadow Zephyr	LSR2
Ultra Blue	UB	Crisp Linen	LRI	Sterling Ash	LAZS
Warm Grey	WG	Designer White	LDR	Titanium Evolv	LTV2
Zesty Lime	ZL	Dove Grey	LDG	White Nebula	LWL2
		Florence Walnut	LFC	White Sand	LWN2
		Friston Ash	LFH	Windsor Mahogany	LWY2
Privacy Screen Color		Frosty White	LFW		
White	SPWH	Graphite Nebula	LGN		
Black	SPBL	Grey	LGE		
Red	SPRD	High Rise	LHE		
Royal Blue	SPRB	Hollyberry	LHY		
Kelly Green	SPKG	Island	LID		
		Italian Silver Ash	LIT		
Back Finish - Laminate		Kensington Maple	LKM		
Beigewood	LBZ	Lapis Blue	LLB		
Belair	LBQ	Markerboard White	LMK		
Biltmore Cherry	LBT	Monticello Maple	LMT		
Black	LBK	North Sea	LNA		
Brighton Walnut	LBW	Ocean	LON		
Castle Oak	LCO	Pinnacle Walnut	LPW		
Cherry Storm	LCX	River Cherry	LRY		
Classic Linen	LCI	Shadow Zephyr	LSR		
Cocobala	LCC	Sterling Ash	LAZ		
Crisp Linen	LRI	Titanium Evolv	LTV		
Designer White	LDR	White Nebula	LWL		
Dove Grey	LDG	White Sand	LWN		
Florence Walnut	LFC	Windsor Mahogany	LWY		
Friston Ash	LFH				

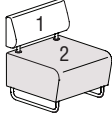
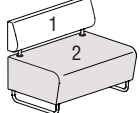
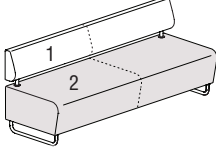
Finish Cards

View color swatches for items listed within this document.

Paints**Plastics/Poly****Wood/Veneer****Laminates****Molded Edges****Edge Styles****Hard Plastics****Glass**

Certain options referenced may not be available on GSA Schedule.



Features	MODEL NUMBER									Approx. Packaged Weight	Delivered Pricing	Moisture Barrier add to list price
	Basic Model	Non-Contrast or Fabric Contrast 1	Fabric Contrast 2	Base Finish	Ganging Option	Privacy Screen Attachment	Glide Option	Moisture Barrier				
 HUB 26 x 26 Armless Lounge • Non-contrast C.O.M = 2 yds • 1 = Back (Fabric Contrast 1) C.O.M. = 1 yd • 2 = Seat, sides (Fabric Contrast 2) C.O.M. = 2 yd	Non-contrast	H23/NC	□□□□		□□	□□□	□□□	□□	□□□	75.00#	\$ 2262	\$ 198
	Contrast	H23/FC	□□□□	□□□□	□□	□□□	□□□	□□	□□□	75.00#	2339	198
 HUB 26 x 39 Armless Lounge • Non-contrast C.O.M = 3 yds • 1 = Back (Fabric Contrast 1) C.O.M. = 1 yd • 2 = Seat, sides (Fabric Contrast 2) C.O.M. = 2 yd	Non-contrast	H33/NC	□□□□		□□	□□□	□□□	□□	□□□	100.00#	\$ 2862	\$ 214
	Contrast	H33/FC	□□□□	□□□□	□□	□□□	□□□	□□	□□□	100.00#	2992	214
 HUB 26 x 78 Armless Lounge • Non-contrast C.O.M = 5.25 yds • 1 = Back (Fabric Contrast 1) C.O.M. = 2 yd • 2 = Seat, sides (Fabric Contrast 2) C.O.M. = 3.5 yd	Non-contrast	H43/NC	□□□□		□□	□□□	□□□	□□	□□□	160.00#	\$ 3900	\$ 238
	Contrast	H43/FC	□□□□	□□□□	□□	□□□	□□□	□□	□□□	160.00#	4100	238

A **B** **C** **D** **E** **F** **G** **H**

HOW TO ORDER

- Indicate the following information on order form:
- Quantity of each item.
 - Model number, including options. See "How To Build a Model Number".
 - Any special service required.

Note: • The indicates that a choice is required.
 • The absence of the indicates that no choice is required.
 • Alpha-numeric characters in place of indicate that no other alternatives are available.

HOW TO BUILD A MODEL NUMBER

- A** Select basic model.
- B** Select non-contrast or fabric contrast 1. Refer to ki.com/fabrics.
 • For yardage pricing, see Fabric Yardage Pricing page
- C** Select fabric contrast 2. Refer to ki.com/fabrics.
 • For yardage pricing, see Fabric Yardage Pricing page
- D** Select base and upright finish color. Refer to the **Product Color Options** page in this price list.
- E** Select ganging option.
HNG - No gangers
HWG - Ganging; add \$82
 Two ganging assemblies shipped per unit.
- F** Select privacy screen attachments.
NPSA - No privacy screen attachments

WPSA - Privacy screen attachments (privacy screen ordered separately)

G Select glide option.
NGL - No glides
GNL - Nylon glides (black); add \$7

H Select moisture barrier.
MB - Moisture barrier
NMB - No moisture barrier
 See pricing column for moisture barrier upcharge.

NOTE
 Units with privacy screens are unable to be ganged in a back-to-back configuration.

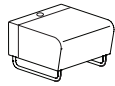
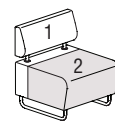
SPECIAL SERVICES

Special Carton Marking
 With specially marked information N/C

Shipping
 Ships assembled, FOB High Point, NC 27263, freight prepaid. Freight class 175

Specifications and prices are subject to change without prior notice.



Features	MODEL NUMBER										Approx. Packaged Weight	Delivered Pricing	Moisture Barrier add to list price	
	Basic Model	Non-Contrast or Fabric Contrast 1	Fabric Contrast 2	Base Finish	Lam. Color	Power Option	Gang. Option	Privacy Screen Attachment	Glide Option	Moist. Barrier				
 HUB 26 x 26 Laminate Backless Lounge • Non-contrast C.O.M = 1.75 yds • Optional privacy screen model SK24 fits this model	Non-contrast	H20B	<input type="checkbox"/> <input type="checkbox"/>		<input type="checkbox"/>	<input type="checkbox"/>	<input type="checkbox"/> <input type="checkbox"/> <input type="checkbox"/> <input type="checkbox"/>	<input type="checkbox"/>	<input type="checkbox"/>	<input type="checkbox"/>	<input type="checkbox"/>	50.00#	\$ 2593	\$ 182
	Contrast H23B/FC <input type="checkbox"/> <input type="checkbox"/> <input type="checkbox"/> <input type="checkbox"/>													
 HUB 26 x 26 Laminate Back Lounge • Non-contrast C.O.M = 2 yds • 1 = Back (Fabric Contrast 1) C.O.M. = 1 yd • 2 = Seat, sides (Fabric Contrast 2) C.O.M. = 1.5 yd • Optional privacy screen model SK24 fits this model	Non-contrast	H23B/NC	<input type="checkbox"/> <input type="checkbox"/>		<input type="checkbox"/>	<input type="checkbox"/>	<input type="checkbox"/>	<input type="checkbox"/>	<input type="checkbox"/>	<input type="checkbox"/>	<input type="checkbox"/>	80.00#	\$ 3015	\$ 191
	Contrast	H23B/FC	<input type="checkbox"/> <input type="checkbox"/> <input type="checkbox"/> <input type="checkbox"/>	<input type="checkbox"/> <input type="checkbox"/>	<input type="checkbox"/>	<input type="checkbox"/>	<input type="checkbox"/>	<input type="checkbox"/>	<input type="checkbox"/>	<input type="checkbox"/>	<input type="checkbox"/>	<input type="checkbox"/>	80.00#	3094

HOW TO ORDER

Indicate the following information on order form:

- Quantity of each item.
- Model number, including options. See "How To Build a Model Number".
- Any special service required.

Note:

- The indicates that a choice is required.
- The absence of the indicates that no choice is required.
- Alpha-numeric characters in place of indicate that no other alternatives are available.

HOW TO BUILD A MODEL NUMBER

A Select basic model.

B Select non-contrast or fabric contrast 1. Refer to ki.com/fabrics.
 • For yardage pricing, see Fabric Yardage Pricing page

C Select fabric contrast 2. Refer to ki.com/fabrics.
 • For yardage pricing, see Fabric Yardage Pricing page

D Select base and upright finish color. Refer to the **Product Color Options** page in this price list.

E Select back laminate. Refer to the **Product Color Options** page in this price list.

F Select power option.
NP - No power
WPBL - Black power module; add \$392

G Select ganging option.
HNG - No gangers
HWG - Ganging; add \$82
 Two ganging assemblies shipped per unit.

H Select privacy screen attachments.
NPSA - No privacy screen attachments
WPSA - Privacy screen attachments (privacy screen ordered separately)

I Select glide option.
NGL - No glides
GNL - Nylon glides (black); add \$7

J Select moisture barrier.
MB - Moisture barrier
NMB - No moisture barrier
 See pricing column for moisture barrier upcharge.

WPSL - Silver power module; add \$392
WPWH - White power module; add \$392

NOTE
 Units with privacy screens are unable to be ganged in a back-to-back configuration.

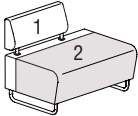
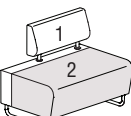
SPECIAL SERVICES

Special Carton Marking
 With specially marked information N/C

Shipping
 Ships assembled, FOB High Point, NC 27263, freight prepaid. Freight class 175

Specifications and prices are subject to change without prior notice.



Features	MODEL NUMBER										Approx. Packaged Weight	Delivered Pricing	Moisture Barrier add to list price
	Basic Model	Non-Contrast or Fabric Contrast 1	Fabric Contrast 2	Base Finish	Lam. Color	Power Option	Gang. Option	Privacy Screen Attachment	Glide Option	Moist. Barrier			
 HUB 26 x 39 Laminate Back Lounge - Left Facing Back • Non-contrast C.O.M = 2.5 yds • 1 = Back (Fabric Contrast 1) C.O.M. = 1 yd • 2 = Seat, sides (Fabric Contrast 2) C.O.M. = 2 yd • Optional privacy screen model SK37 fits this model	Non-contrast	H33LB/NC	<input type="checkbox"/> <input type="checkbox"/> <input type="checkbox"/>	<input type="checkbox"/>	<input type="checkbox"/>	<input type="checkbox"/> <input type="checkbox"/> <input type="checkbox"/> <input type="checkbox"/>	<input type="checkbox"/>	<input type="checkbox"/>	<input type="checkbox"/>	<input type="checkbox"/>	115.00#	\$ 3730	\$ 203
	Contrast	H33LB/FC	<input type="checkbox"/> <input type="checkbox"/> <input type="checkbox"/>	<input type="checkbox"/>	<input type="checkbox"/>	<input type="checkbox"/> <input type="checkbox"/> <input type="checkbox"/> <input type="checkbox"/>	<input type="checkbox"/>	<input type="checkbox"/>	<input type="checkbox"/>	<input type="checkbox"/>	<input type="checkbox"/>	115.00#	3927
 HUB 26 x 39 Laminate Back Lounge - Right Facing Back • Non-contrast C.O.M = 2.5 yds • 1 = Back (Fabric Contrast 1) C.O.M. = 1 yd • 2 = Seat, sides (Fabric Contrast 2) C.O.M. = 2 yd • Optional privacy screen model SK37 fits this model	Non-contrast	H33RB/NC	<input type="checkbox"/> <input type="checkbox"/> <input type="checkbox"/>	<input type="checkbox"/>	<input type="checkbox"/>	<input type="checkbox"/> <input type="checkbox"/> <input type="checkbox"/> <input type="checkbox"/>	<input type="checkbox"/>	<input type="checkbox"/>	<input type="checkbox"/>	<input type="checkbox"/>	115.00#	\$ 3730	\$ 203
	Contrast	H33RB/FC	<input type="checkbox"/> <input type="checkbox"/> <input type="checkbox"/>	<input type="checkbox"/>	<input type="checkbox"/>	<input type="checkbox"/> <input type="checkbox"/> <input type="checkbox"/> <input type="checkbox"/>	<input type="checkbox"/>	<input type="checkbox"/>	<input type="checkbox"/>	<input type="checkbox"/>	<input type="checkbox"/>	115.00#	3927

HOW TO ORDER

- Indicate the following information on order form:
- Quantity of each item.
 - Model number, including options. See "How To Build a Model Number".
 - Any special service required.

Note: • The indicates that a choice is required.
 • The absence of the indicates that no choice is required.
 • Alpha-numeric characters in place of indicate that no other alternatives are available.

HOW TO BUILD A MODEL NUMBER

- A** Select basic model.
- B** Select non-contrast or fabric contrast 1. Refer to ki.com/fabrics.
 - For yardage pricing, see Fabric Yardage Pricing page
- C** Select fabric contrast 2. Refer to ki.com/fabrics.
 - For yardage pricing, see Fabric Yardage Pricing page
- D** Select base and upright finish color. Refer to the **Product Color Options** page in this price list.
- E** Select back laminate. Refer to the **Product Color Options** page in this price list.
- F** Select power option.
 - NP** - No power
 - WPBL** - Black power module; add \$392

- WPSL** - Silver power module; add \$392
- WPWH** - White power module; add \$392
- G** Select ganging option.
 - HNG** - No gangers
 - HWG** - Ganging; add \$82
 - Two ganging assemblies shipped per unit.
- H** Select privacy screen attachments.
 - NPSA** - No privacy screen attachments
 - WPSA** - Privacy screen attachments (privacy screen ordered separately)
- I** Select glide option.
 - NGL** - No glides
 - GNY** - Nylon glides (black); add \$7
- J** Select moisture barrier.
 - MB** - Moisture barrier
 - NMB** - No moisture barrier
 - See pricing column for moisture barrier upcharge.

NOTE
 Units with privacy screens are unable to be ganged in a back-to-back configuration.

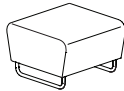


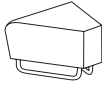
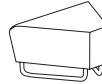
SPECIAL SERVICES

Special Carton Marking
 With specially marked information N/C

Shipping
 Ships assembled, FOB High Point, NC 27263, freight prepaid. Freight class 175

Specifications and prices are subject to change without prior notice.



MODEL	Features	MODEL NUMBER							Approx. Packaged Weight	Delivered Pricing	Moisture Barrier add to list price
		Basic Model	Non-Contrast or Fabric Contrast 1	Base Finish	Ganging Option	Handle	Glide Option	Moisture Barrier			
 HUB 26 x 26 Upholstered Ottoman • Non-contrast C.O.M = 2 yds • The handle (WH), when selected, is powder coated to match the sled base color. If Chrome is the sled base color, then handle will be Starlight Silver Metallic.	Non-contrast	H20	<input type="checkbox"/> <input type="checkbox"/> <input type="checkbox"/> <input type="checkbox"/>	<input type="checkbox"/>	<input type="checkbox"/> <input type="checkbox"/> <input type="checkbox"/>	<input type="checkbox"/>	<input type="checkbox"/>	<input type="checkbox"/>	50.00#	\$ 1580	\$ 187
 HUB 45 Degree Wedge - Inside • Non-contrast C.O.M = 1.75 yds • Inside-facing while seated • The handle (WH), when selected, is powder coated to match the sled base color. If Chrome is the sled base color, then handle will be Starlight Silver Metallic.	Non-contrast	H45WI	<input type="checkbox"/> <input type="checkbox"/> <input type="checkbox"/> <input type="checkbox"/>	<input type="checkbox"/>	<input type="checkbox"/> <input type="checkbox"/> <input type="checkbox"/>	<input type="checkbox"/>	<input type="checkbox"/>	<input type="checkbox"/>	55.00#	\$ 1611	\$ 187
 HUB 60 Degree Wedge - Inside • Non-contrast C.O.M = 1.75 yds • Inside-facing while seated • The handle (WH), when selected, is powder coated to match the sled base color. If Chrome is the sled base color, then handle will be Starlight Silver Metallic.	Non-contrast	H60WI	<input type="checkbox"/> <input type="checkbox"/> <input type="checkbox"/> <input type="checkbox"/>	<input type="checkbox"/>	<input type="checkbox"/> <input type="checkbox"/> <input type="checkbox"/>	<input type="checkbox"/>	<input type="checkbox"/>	<input type="checkbox"/>	55.00#	\$ 1611	\$ 187
 HUB 45 Degree Wedge - Outside • Non-contrast C.O.M = 1.75 yds • Outside-facing while seated • The handle (WH), when selected, is powder coated to match the sled base color. If Chrome is the sled base color, then handle will be Starlight Silver Metallic.	Non-contrast	H45WO	<input type="checkbox"/> <input type="checkbox"/> <input type="checkbox"/> <input type="checkbox"/>	<input type="checkbox"/>	<input type="checkbox"/> <input type="checkbox"/> <input type="checkbox"/>	<input type="checkbox"/>	<input type="checkbox"/>	<input type="checkbox"/>	60.00#	\$ 1611	\$ 187
 HUB 60 Degree Wedge - Outside • Non-contrast C.O.M = 1.75 yds • Outside-facing while seated • The handle (WH), when selected, is powder coated to match the sled base color. If Chrome is the sled base color, then handle will be Starlight Silver Metallic.	Non-contrast	H60WO	<input type="checkbox"/> <input type="checkbox"/> <input type="checkbox"/> <input type="checkbox"/>	<input type="checkbox"/>	<input type="checkbox"/> <input type="checkbox"/> <input type="checkbox"/>	<input type="checkbox"/>	<input type="checkbox"/>	<input type="checkbox"/>	60.00#	\$ 1611	\$ 187

A **B** **C** **D** **E** **F** **G**

HOW TO ORDER

- Indicate the following information on order form:
- Quantity of each item.
 - Model number, including options. See "How to Build a Model Number".
 - Any special service required.

Note: • The indicates that a choice is required.
 • The absence of the indicates that no choice is required.
 • Alpha-numeric characters in place of indicate that no other alternatives are available.

HOW TO BUILD A MODEL NUMBER

- A** Select basic model.
- B** Select non-contrast or fabric contrast 1. Refer to ki.com/fabrics.
 • For yardage pricing, see Fabric Yardage Pricing page
- C** Select base finish color. Refer to the **Product Color Options** page in this price list.
- D** Select ganging option.
HNG - No gangers
HWG - Ganging; add \$82
 Two ganging assemblies shipped per unit.
- E** Select handle.
WH - Handle; add \$145
NH - No handle
- F** Select glide option.
NGL - No glides
GNL - Nylon glides (black); add \$7

- G** Select moisture barrier.
MB - Moisture barrier
NMB - No moisture barrier
 See pricing column for moisture barrier upcharge.

SPECIAL SERVICES

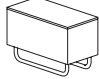

Special Carton Marking

With specially marked information N/C

Shipping
 Ships assembled, FOB High Point, NC 27263, freight prepaid. Freight class 175

Specifications and prices are subject to change without prior notice.



MODEL	MODEL NUMBER							Approx. Packaged Weight	Delivered Pricing
	Basic Model	Primary Laminate Color (1)	Secondary Laminate Color (2)	Base Finish	Power Option	Ganging Option	Glide Option		
 13 x 26 Laminate Table HUBT	H13T	<input type="checkbox"/> <input type="checkbox"/> <input type="checkbox"/>	<input type="checkbox"/> <input type="checkbox"/> <input type="checkbox"/>	<input type="checkbox"/> <input type="checkbox"/>	<input type="checkbox"/> <input type="checkbox"/> <input type="checkbox"/> <input type="checkbox"/>	<input type="checkbox"/> <input type="checkbox"/> <input type="checkbox"/>	<input type="checkbox"/> <input type="checkbox"/>	55.00#	\$ 1617
 26 x 26 Laminate Table HUBT	H24T	<input type="checkbox"/> <input type="checkbox"/> <input type="checkbox"/>	<input type="checkbox"/> <input type="checkbox"/> <input type="checkbox"/>	<input type="checkbox"/> <input type="checkbox"/>	<input type="checkbox"/> <input type="checkbox"/> <input type="checkbox"/> <input type="checkbox"/>	<input type="checkbox"/> <input type="checkbox"/> <input type="checkbox"/>	<input type="checkbox"/> <input type="checkbox"/>	80.00#	\$ 1649
	A	B	C	D	E	F	G		

HOW TO ORDER

- Indicate the following information on order form:
- Quantity of each item.
 - Model number, including options. See "How To Build a Model Number".
 - Any special service required.

Note:

- The indicates that a choice is required.
- The absence of the indicates that no choice is required.
- Alpha-numeric characters in place of indicate that no other alternatives are available.

HOW TO BUILD A MODEL NUMBER

- A** Select basic model.
- B** Select primary laminate color. Primary laminate selection is for top. Refer to the **Product Color Options** page in this price list.
- C** Select secondary laminate color. Secondary laminate selection is for side panels. Refer to the **Product Color Options** page in this price list.
- D** Select base finish color. Refer to the **Product Color Options** page in this price list.
- E** Select power option.

NP	- No power
WPBL	- Black power module; add \$392
WPSL	- Silver power module; add \$392
WPWH	- White power module; add \$392
- F** Select ganging option.

HNG	- No gangers
HWG	- Ganging; add \$82

 Two ganging assemblies shipped per unit.
- G** Select glide option.

NGL	- No glides
GNY	- Nylon glides (black); add \$7

SPECIAL SERVICES




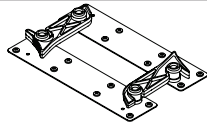
Special Carton Marking

With specially marked information N/C

Shipping
Ships **assembled, FOB High Point, NC 27263, freight prepaid.** Freight class 175

Specifications and prices are subject to change without prior notice.



MODEL	MODEL NUMBER		Approx. Packaged Weight	Delivered Pricing
	Basic Model	Privacy Screen Color		
 HUBA Privacy Screen for 26" Wide Units • Privacy screens are 57" high when attached to a Hub® seat • Fits chair models (H23, H20B, H23B)	SK24	<input type="checkbox"/> <input type="checkbox"/> <input type="checkbox"/>	40.00#	\$ 1449
 HUBA Privacy Screen for 39" Wide Units • Privacy screens are 57" high when attached to Hub® seating • Fits loveseat models (H33, H33RB, H33LB)	SK37	<input type="checkbox"/> <input type="checkbox"/> <input type="checkbox"/>	55.00#	\$ 1563
 HUBA Privacy Screen for 78" Wide Units • Privacy screens are 57" high when attached to Hub® seating • Fits sofa models (H43)	SK78	<input type="checkbox"/> <input type="checkbox"/> <input type="checkbox"/>	90.00#	\$ 3127
 AC902 Ganger Assembly • Order one ganger assembly for each intersecting point • Each ganger assembly includes two identical sets of component parts to join two Seating models together	GNGR.ASSM		2.10#	\$ 78

A

B

HOW TO ORDER

- Indicate the following information on order form:
- Quantity of each item.
 - Model number, including options. See "How To Build a Model Number".
 - Any special service required.

Note: • The indicates that a choice is required.
 • The absence of the indicates that no choice is required.
 • Alpha-numeric characters in place of indicate that no other alternatives are available.

HOW TO BUILD A MODEL NUMBER

- A** Select basic model.
B Select privacy screen fabric. Refer to the **Product Color Options** page in this price list.

SPECIAL SERVICES

Special Carton Marking

With specially marked information N/C

Shipping

Ships assembled, FOB High Point, NC 27263, freight prepaid. Freight class 175

Specifications and prices are subject to change without prior notice.



1330 BELLEVUE STREET
GREEN BAY, WI 54302
800.424.2432 / KI.COM

KI is a trusted expert for furniture and wall systems around the globe.
USA | CANADA | MEXICO | UK | EUROPE | ASIA | MIDDLE EAST
© 2025 Krueger International, Inc. All Rights Reserved.