



LIMELITE™ SEATING

PRICE LIST

EFFECTIVE MARCH 31, 2026
800.424.2432



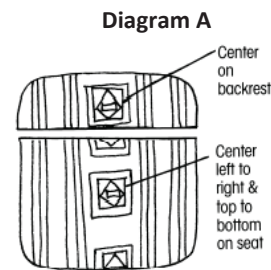
Ordering Customer's Own Material (C.O.M.) Upholstery	
Information	3
LimeLite™ Seating	
Guest Seating General Information	4
Guest Seating Color Options	5
Tapered Wood Leg Chairs	6
Stack/Nesting Seating General Information	7
Stack/Nesting Seating Color Page	16
Four-Leg Stack Chairs	17
Four-Leg Nesting Chairs	20
Sled Base Stack Chairs	22
Four-Leg Cafe Stools	23
HD Stack Chairs and Stools	24
Transport Dollies	25
Task Seating General Information	26
Task Seating Color Options	29
Task Chairs	30
Task Stools	32
Conference Seating General Information	33
Conference Seating Color Options	35
Conference Chairs	36
Conference Stools	38
Tandem Seating General Information	39
Tandem Seating Color Options	40
Tandem	41



How to Specify

As a standard procedure, KI applies seating upholstery as swatched by the textile distributor. Reference distributor's website. Upholstery that is required to be applied differently than is swatched, will need a Product Modification Request written specifying the direction the upholstery is to be applied.

Seating upholstery requiring specific positioning of intricate patterns or patterns repeats on seats and backrests, will need a Product Modification Request written including a sketch noting the specific requirements, as in Diagram A.



When directional or patterned fabrics are used, they often require more yardage than solid colors.

C.O.M. must be supplied in continuous yardage.

C.O.M. yardage requirements accompanying products in the pricing section are for 10 chairs/seats or less, 54" wide nondirectional material. On larger orders, less material is required.

Leather hides must be a minimum of 50 square feet of usable material. The outer edges cannot be calculated as square feet or yardage. To determine square footage, multiply unit yardage by 18 square feet to obtain the total square footage required per unit.

For exact production yardage requirements, call 1-800-424-2432, ext. 2707.

Production

Customer's upholstery must be approved prior to acceptance for production.

C.O.M. not received into the appropriate facility 3 weeks prior to acknowledged delivery date may go on hold. See KI C.O.M. Shipping Location listing for the correct facility address by product.

Testing

When KI requires testing, actual yardage to upholster one chair may be required. The C.O.M. Specialist will confirm model and fabric testing requirements when applicable.

Approved test samples will be applied to the order or will be held for 6 months. After 6 months, the sample will no longer be applied to your order. For all product testing, send fabric samples to the manufacturing facility. See KI C.O.M. Shipping Location listing for the correct facility address by product.

All C.O.M. must be labeled with the KI product order number and customer purchase order number.

Treated Materials

If C.O.M. requires processing such as a stain resistance treatment or acrylic backing, it may shrink. To prevent delays in delivery or back ordering due to shrinkage, please have your processor verify measurement after processing and assure adequate yardage shipped.

Split Orders

If a portion of the shipment which does not require C.O.M. application is to be processed and shipped early, KI will enter the order immediately at your request. These split shipments are subject to minimum order changes.

Excess Upholstery Material

KI will dispose of excess upholstery material at the time of shipment unless expressly requested to return it with the product shipment.

Cancelled or Changed Orders

KI assumes no responsibility for extra C.O.M. due to a change of upholstery or cancellation of an order. If the customer's responsibility to arrange for return of the material.

Contact the C.O.M. Specialist at 1-800-424-2432, ext. 2707, with questions or to request a split order.

C.O.M. SHIPPING LOCATION

Architectural Walls Evoke..... MN Genius..... MN Casegoods Aristotle..... MN Likha..... MN Classroom Furniture Cogni GB Intellect Wave GB Learn2..... GB Ruckus..... GB Deskling 700 Series KP Balance MN Genesis MN True KP Universal MN WorkZone MN Files & Storage 700 Series..... GB Connection BW U-Series..... GB Tatto..... BW Fixed Seating Concerto..... BW Single Pedestal GB Jury Base GB Lancaster..... BW Sequence GB University GB	Panel Systems All Terrain..... KP Balance MN Universal MN Wireworks..... MN Unite..... MN Residence Hall Furniture RoomScape MN Screens All Terrain..... KP Connection Zone..... BW Tributaire..... BW True/Volution KP Genesis..... KP Tatto..... MN Universal..... BW Seating 600 Series..... BW Affina HN Altus GB Apply GB Calida HN Cascha VT Civara VT Clamber HN Cogni GB Diem OM Doni GB Gladly VQ Grazie GB Hub HN Impress OM	Impress Ultra OM Intellect Wave GB Jessa HN Jubilee VQ Katera..... GB Kurv Benches..... HN Learn2..... GB LimeLite..... GB Lyra HN Medical & Laboratory Stools..... OM MyPlace HN MyWay HN Oath GB Opt4 GB Pilot OM Promenade..... BW Ruckus..... GB Sela HN Sift GB Signia..... OM Soltice Metal HN Soltice..... HN Sonrisa HN Strive GB Sway BW Tatto..... HN Torsion-on-the-Go! GB Torsion Air GB Zeker HN Zentori VT Zoetry HN
---	---	--



KI C.O.M. Manufacturing Site Addresses:

BW KI Bonduel Attn: COM Storage 204 West South St. Bonduel, WI 54107	HN KI High Point Attn: COM Storage 217 Feld Avenue High Point, NC 27263	MN KI Manitowoc Attn: COM Storage 1400 S. 41st St. Manitowoc, WI 54220	VQ KI Attn: COM Fabrics 6892 Marlin Circle La Palma, CA 90623
GB KI Green Bay Attn: COM Storage 1687 Westminster Drive - Gate 3 Green Bay, WI 54302	KP KI Pembroke Attn: COM Storage 1000 Olympic Dr. Pembroke, Ontario K8A6X7	OM KI Attn: COM Storage 1110 S. Mildred Ave. Ontario, CA 91761	VT KI Attn: COM Storage 2803 South Taylor Drive Sheboygan, WI 53081



Tapered Wood Leg Armless Chair, Poly Seat/Back
(LLW100)



Tapered Wood Leg Armless Chair, Uph Seat/Poly Back
(LLW200)

General Dimensions		
Seat width	18-1/4"	18-1/4"
Seat depth	17-1/2"	17-1/2"
Seat height	17-1/2"	18-1/4"
Overall Dimensions		
Width	18-1/4"	18-1/4"
Depth	20"	20"
Height	33-1/4"	33-1/4"

One-Piece Seat Shell

The seat and backrest are integrated into a single shell that is injection-molded in polypropylene, reinforced with glass fiber. The shell is ergonomically contoured and features a passive flex back movement for superior comfort.

Upholstered Seat (optional)

Molded urethane foam is attached to an injection-molded polypropylene seat board, then is upholstered using a draw-string process. The assembled seat pad is attached to the seat by means of hidden fasteners. Seat foam is nominal 3/4" thickness.

Upholstered Backrest (optional)

Molded urethane foam is attached to an injection-molded polypropylene upholstery liner, then is upholstered using a draw-string process. The assembled backrest pad is permanently attached to the backrest with no visible fasteners. Backrest foam is nominal 1/2" thickness.

Wood Leg Base

The seat plate is die-cast aluminum, finished with baked-on electrostatically-applied epoxy powder-coat paint. Legs are turned from Beech, stained and finished with a clear coat. A steel insert with tapped end is inserted and pinned in each leg, then each leg assembly is attached to the seat plate with a cap screw.

Glides

Three glide options are available; felt, plastic, and steel. A black nylon swivel glide body is press-fit into the end of the leg. Glide caps (felt, plastic, or steel) are snap-fit onto the glide body. These are field-replaceable and interchangeable.

LimeLite Wood Leg Chairs



Poly Seat
Armless Chair
LLW100

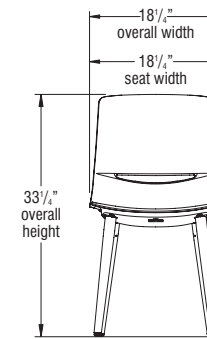


Upholstered Seat
Armless Chair
LLW200

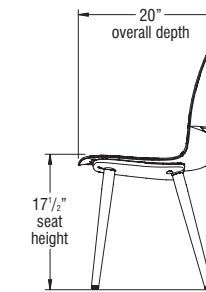


Upholstered Seat & Backrest
Armless Chair
LLW300

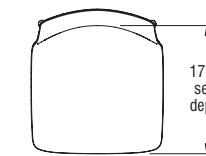
LimeLite Wood Leg Chair - Armless - (model LLW100 shown)



(front view)



(side view)



(top view)

INFORMATION

C.O.M. Testing and Production Requirements

Not all materials are suitable for upholstering this product. A 1 yd. x 54" sample must be submitted and approved prior to acceptance of an order. If the fabric is directional in pattern or weave, the direction must be indicated on the submitted sample, and additional yardage may be requested.

Test samples must be sent to:

KI
Attn: C.O.M. Specialist
1687 Westminster Drive - Gate 3
Green Bay, WI 54302

Fabric Disclaimer

Fabric will be applied as swatched by the fabric manufacturer. Fabric that is required to be applied differently than is swatched will need a Modified Product Request written specifying the direction the fabric is to be applied.

KI Color Match Program

KI offers the additional option of color matching paint, polypropylene, or wood stain through Product Modification Requests. Contact Customer Service for details.

Whatever you imagine, whatever you require, KI's Color Match program lets you pick your color!

[Color Match Process - Poly Seating Information can be found here.](#)

Stacking Vinyl, Polyurethane, and Imitation Leather Upholstered Chairs

If stacking frequently and for long periods of time, it is recommended that upholstery other than vinyl, polyurethane or imitation leather be used to avoid impressions in the seat cushion. KI does not warrant the effects of stacking on stock or COM vinyl, polyurethane or imitation leather upholstery.

INFORMATION

Warranty

Refer to KI Terms & Conditions document or visit ki.com

**Poly Color - Shell**

Black	PBL
Blue Grey	PGR
Cayenne	PCY
Cool Grey	PCG
Cottonwood	PCO
Earthen Clay	PEY
Everglade Shade	PEV
Flannel	PFN
Hazy Jade	PHJ
Honey Bee	PHY
Light Tone	PLG
Mardi Gras	PMG
Misty Brown	PMY
Nemo	PNE
Nordic	PND
Poppy Red	PPR
Purple Haze	PPH
Rainforest	PRQ
Raw Jasper	PRJ
Rubber Ducky	PRK
Sand	PSA
Sky Blue	PSK
Surf's Up	PSP
Tarragon	PTQ
Twilight Shadow	PTI
Ultra Blue	PUB
Warm Grey	PWG
Zesty Lime	PZL

Nemo and Zesty Lime are only available as standard color options on armless models. If required on an arm model, a PRM can be submitted for approval, provided the client has visually approved the color variation.

Wood Leg Finish

Cherry Storm on Beech	BCX
Cinnamon on Beech	BCN
Cocoa on Beech	BCA
Eclipse Black on Beech	BEB
Florence Walnut on Beech	BFC
Monticello Maple on Beech	BMT
Natural on Beech	BNA
River Cherry on Beech	BRY

Finish Cards

View color swatches for items listed within this document.

Paints

Plastics/Poly

Wood/Veneer

Laminates

Molded Edges


Edge Styles

Hard Plastics

Glass

Certain options referenced may not be available on GSA Schedule.



MODEL	Features	MODEL NUMBER					Approx. Packaged Weight	Delivered Pricing	Delivered Pricing Fabric Grade 1 & C.O.M.	Delivered Pricing Fabric Grade 2	Delivered Pricing Fabric Grade 3 & Group 2V Vinyl	Delivered Pricing Pallas Fabric Group P0	Delivered Pricing Pallas Fabric Group P1	Delivered Pricing Pallas Fabric Group P2	Delivered Pricing Pallas Fabric Group P3
		Basic Model	Shell Color	Wood Leg Finish	Glide Option	Upholstery Color									
 <p>Tapered Wood Leg Armless Chair</p> <ul style="list-style-type: none"> • One-piece shell • Passive Flex • Wood legs available in 8 finishes • Expansive color options • Large family • 400 pound approved • Non-stacking 	Poly Seat/Back	LLW100	<input type="checkbox"/>	<input type="checkbox"/>	<input type="checkbox"/>	21.00#	\$ 737								
	Uph Seat/Poly Back	LLW200	<input type="checkbox"/>	<input type="checkbox"/>	<input type="checkbox"/>	<input type="checkbox"/>	23.00#	N/A	951	958	973	961	1012	1033	1057
	Uph Seat/Back	LLW300	<input type="checkbox"/>	<input type="checkbox"/>	<input type="checkbox"/>	<input type="checkbox"/>	24.00#	N/A	1025	1032	1047	1034	1086	1107	1130

LLW1
LLW2
LLW3

A **B** **C** **D** **E**

HOW TO ORDER

- Indicate the following information on order form:
1. Quantity of each item.
 2. Model number, including options. See "How To Build a Model Number".
 3. Any special service required.

Note:

- The indicates that a choice is required.
- The absence of the indicates that no choice is required.
- Alpha-numeric characters in place of indicate that no other alternatives are available.

HOW TO BUILD A MODEL NUMBER

- A** Select basic model.
- B** Select shell color. Refer to the **Product Color Options** page in this price list.
- C** Select wood leg finish. Refer to the **Product Color Options** page in this price list.
- D** Select glide option.

GFT	- Felt glides
GPL	- Plastic glides
GSL	- Steel glides
- E** Select upholstery grade/color. Refer to ki.com/fabrics

UPHOLSTERY INFORMATION

C.O.M. Upholstery
C.O.M. requirement for 10 chairs or less with upholstered seat is 3/4 yard per chair of 54" wide nondirectional fabric. For orders of 11 or more with upholstered seat and for complete information on ordering C.O.M. see "Ordering Customer's Own Material (C.O.M) Upholstery" section.

SPECIAL SERVICES

Special Carton Marking

With specially marked information N/C

Shipping
Ships **assembled, FOB Green Bay, WI 54302, freight prepaid.** Freight class 125.

Specifications and prices are subject to change without prior notice.



Four-Leg Armless Chair with Glides
(LL1100, LL1200)



Four-Leg Arm Chair with Glides
(LL1111, LL1211)



Four-Leg Armless Chair with Casters
(LL2100, LL2200)



Four-Leg Arm Chair with Casters
(LL2111, LL2211)



Four-Leg Oversize Tablet Arm Chair with Glides
(LL114R, LL114L, LL124R, LL124L)



Four-Leg Oversize Tablet Arm Chair with Casters
(LL214R, LL214L, LL224R, LL224L)



Four-Leg Tablet Arm Chair with Glides
(LL113R, LL113L, LL123R, LL123L)



Four-Leg Tablet Arm Chair with Casters
(LL213R, LL213L, LL223R, LL223L)

Features				
Stackable	•	•	•	•
General Dimensions				
Seat width	18-1/4"	18-1/4"	18-1/4"	18-1/4"
Seat depth	17-1/2"	17-1/2"	17-1/2"	17-1/2"
Seat height (upholstered add 3/4")	17-1/2"	17-1/2"	17-1/2"	17-1/2"
Clearance inside arms		20"		20"
Overall Dimensions				
Width	21-3/4'	23-1/2"	22-1/2"	23-1/2"
Depth	22-1/4"	22-1/4"	20"	20"
Height	33-1/4"	33-1/4"	33-1/4"	33-1/4"
Arms to floor		25-1/2"		25-1/2"
Stacking on Dolly				
Overall width	25-1/4"	25-1/4"		
Overall depth	39"	39"		
Quantity/Height - poly	15/61"	15/63"		
Quantity/Height - upholstered seat and back	8/51"	8/51"		
Stacking on Floor				
Overall Width	21-3/4"	23-1/2"	22-1/2"	23-1/2"
Overall Depth	29-3/4"	29-3/4"	27-1/2"	27-1/2"
Quantity/ Height - poly	7/43"	7/43"	7/43"	7/43"
Quantity/Height - upholstered seat and back	7/48"	7/48"	7/48"	7/48"

Features				
Stackable	•	•	•	•
General Dimensions				
Seat width	18-1/4"	18-1/4"	18-1/4"	18-1/4"
Seat depth	17-1/2"	17-1/2"	17-1/2"	17-1/2"
Seat height (upholstered add 3/4")	17-1/2"	17-1/2"	17-1/2"	17-1/2"
Clearance inside arms				20"
Tablet to backrest clearance	15"	15"	15"	15"
Overall Dimensions				
Width	23-3/4"	23-3/4"	23-3/4"	24-3/4"
Depth	31"	31"	28"	28"
Height	33-1/4"	33-1/4"	33-1/4"	33-1/4"
Arms to floor				
Tablet surface to floor	28-1/4"	28-1/4"	28-1/4"	28-1/4"
Stacking on Floor				
Overall Width	23-3/4"	23-3/4"	23-3/4"	23-3/4"
Overall Depth	35-1/2"	35-1/2"	32-1/2"	32-1/2"
Quantity/Height - poly	4/38"	4/38"	4/38"	4/38"
Quantity/Height - upholstered seat and back	4/43"	4/43"	4/43"	4/43"

INFORMATION

C.O.M. Testing and Production Requirements

Not all materials are suitable for upholstering this product. A 1 yd. x 54" sample must be submitted and approved prior to acceptance of an order. If the fabric is directional in pattern or weave, the direction must be indicated on the submitted sample, and additional yardage may be requested.

Test samples must be sent to:

KI
Attn: C.O.M. Specialist
1687 Westminster Drive - Gate 3
Green Bay, WI 54302

Fabric Disclaimer

Fabric will be applied as swatched by the fabric manufacturer. Fabric that is required to be applied differently than is swatched will need a Modified Product Request written specifying the direction the fabric is to be applied.

KI Color Match Program

KI offers the additional option of color matching paint, polypropylene, or wood stain through Product Modification Requests. Contact Customer Service for details.

Whatever you imagine, whatever you require, KI's Color Match program lets you pick your color!

Color Match Process - Poly Seating Information can be found here.

Stacking Vinyl, Polyurethane, and Imitation Leather Upholstered Chairs

If stacking frequently and for long periods of time, it is recommended that upholstery other than vinyl, polyurethane or imitation leather be used to avoid impressions in the seat cushion. KI does not warrant the effects of stacking on stock or COM vinyl, polyurethane or imitation leather upholstery.

INFORMATION

Warranty

Refer to KI Terms & Conditions document or visit ki.com



High-Density Armless Chair
(LL7100, LL7200)



Armless High-Density Stool, 24" High
(LLS200H24, LLS100H24)



Armless High-Density Stool, 30" High
(LLS100H30, LLS20H30)



Sled Base Armless Chair
(LL3100, LL3200)



Sled Base Arm Chair
(LL3111, LL3211)

Features					
Stackable	•	•	•	•	•
General Dimensions					
Seat width	18-1/4"	18-1/4"	18-1/4"	18-1/4"	18-1/4"
Seat depth	17-1/2"	17-1/2"	17-1/2"	17-1/2"	17-1/2"
Seat height (upholstered add 3/4")	17-1/2"	23-1/2"	29-1/2"	17-1/2"	17-1/2"
Tablet to backrest clearance					20"
Overall Dimensions					
Width	21-1/2"	20"	21-3/4"	24-3/4"	24-3/4"
Depth	20-3/4"	21"	23-1/4"	20"	20"
Height	33-1/4"	39-1/4"	45-1/4"	33-1/4"	33-1/4"
Tablet surface to floor					25-1/2"
Stacking on Dolly					
Overall width	23"	23-1/2"	23-1/2"	25-1/4"	25-1/4"
Overall depth	36"	38"	43"	39"	39"
Quantity/height - poly	25/71-1/2"	15/57"	15/63"	15/61"	15/63"
Quantity/height- upholstered seat and back	10/56-1/2"	8/52"	8/58"	8/51"	8/51"
Stacking on Floor					
Overall Width	21-1/2"	20"	21-3/4"	24-3/4"	24-3/4"
Overall Depth	28-1/4"	28-1/2"	30-3/4"	27-1/2"	27-1/2"
Quantity/height - poly	7/42"	7/48"	7/54"	7/43"	7/43"
Quantity/height - upholstered seat and back	7/47"	7/53"	7/59"	7/48"	7/48"



Four-Leg Nesting Armless Chair with Casters
(LLA100, LLA200)



Four-Leg Nesting Arm Chair with Casters
(LLA111, LLA211)



Four-Leg Armless Cafe Stool, 24" High
(LL4100H24, LL4200H24)



Four-Leg Armless Cafe Stool, 30" High
(LL4100H30, LL420H30)

Features					
Stackable					
General Dimensions					
Seat width	18-1/4"	18-1/4"	18-1/4"	18-1/4"	18-1/4"
Seat depth	17-1/2"	17-1/2"	17-1/2"	17-1/2"	17-1/2"
Seat height (upholstered add 3/4")	17-1/2"	17-1/2"	23-1/2"	29-1/2"	29-1/2"
Clearance inside arms		20"			
Overall Dimensions					
Width	23"	23-1/2"	20"	20-1/2"	20-1/2"
Depth	20"	20"	20"	21-3/4"	21-3/4"
Height	33-1/4"	33-1/4"	39-1/4"	45-1/4"	45-1/4"
Arms to floor		25-1/2"			



Dolly for Four-Leg and Sled Base Chairs, All-Poly
(LLDTF)



Dolly for High-Density Chairs, All-Poly
(LLDHD)



Dolly for High-Density Stools, All-Poly or with Upholstery
(LLDHDS)



Dolly for High-Density, Four-Leg or Sled Base Chairs with Upholstery
(LLDCU)

Overall Dimensions				
Width	25-1/4"	23"	23-1/2"	25-1/4"
Depth	30-3/4"	30"	30"	30"
Height	15-1/4"	15-1/4"	18"	13"



One-Piece Seat Shell

The seat and backrest are integrated into a single shell that is injection-molded in polypropylene, reinforced with glass fiber. The shell is ergonomically contoured and features a passive flex back movement for superior comfort.

Upholstered Seat (optional)

Molded urethane foam is attached to an injection-molded polypropylene seat board, then is upholstered using a draw-string process. The assembled seat pad is attached to the seat by means of hidden fasteners. Seat foam is nominal $\frac{3}{4}$ " thickness.

Upholstered Backrest (optional)

Molded urethane foam is attached to an injection-molded polypropylene upholstery liner, then is upholstered using a draw-string process. The assembled backrest pad is permanently attached to the backrest with no visible fasteners. Backrest foam is nominal $\frac{1}{2}$ " thickness.

Stack Chairs

Frames

Legs are made from $\frac{7}{8}$ " O.D. by 13-gauge tubular steel. A single ring of $\frac{1}{2}$ " diameter steel wire forms the crossmember. All joints are welded.

Frame Finishes

Frames are finished in either baked-on electrostatically-applied 30-degree gloss epoxy powder-coat paint, or bright nickel-chrome plating.

Armrests (optional)

When equipped with armrests, the support structure is a continuation of the rear leg, finished to match the frame color. The armrests are injection-molded glass-reinforced nylon with an internal structure of $\frac{3}{8}$ " diameter steel wire and are press-fit into the support tube. Armrest color matches the frame finish, (except chrome and metallic finishes; which match the shell poly color).

Glides

4-Leg Chairs

Three glide options are available; felt, plastic, and steel. A black nylon swivel glide body is press-fit into the end of the leg tube. Glide caps (felt, plastic, or steel) are snap-fit onto the glide body. These are field-replaceable and interchangeable.

Tubular Sled Base Chairs

In addition to "no glide", four glide options are available; non-skid, felt, plastic, and steel. A clear polycarbonate glide body is attached to the sled tube with a screw. Glide caps (non-skid, felt, plastic, or steel) have a black plastic structure and snap-fit onto the glide body. These are field-replaceable and interchangeable.

Casters

4-leg chairs may be ordered with dual surface casters, suitable for carpet or hard floors. Casters are 50 mm diameter, double-wheel, made of high-impact thermoplastic with softer elastomer over-molded on the wheel surfaces. Casters are available in Black, Warm Grey, or Cottonwood. (Cottonwood casters have Warm Grey elastomer on the surface that contacts the floor. All others are monochrome.)

Café Stools (non-stacking)

Frames

Legs are made from $\frac{3}{4}$ " O.D. by 13-gauge tubular steel. A single ring of $\frac{1}{2}$ " diameter steel wire forms the crossmember. The footring is formed of $\frac{1}{2}$ " diameter steel wire. All joints are welded. 4-leg café stools are available in 24" or 30" seat heights.

Frame Finishes

Frames are finished in either baked-on electrostatically-applied 30-degree gloss epoxy powder-coat paint, or bright nickel-chrome plating. Powder-coat paint may be specified in 30-degree gloss or select colors in a textured (matte) finish.

Glides (optional)

Three glide options are available; felt, plastic, and steel. A black nylon swivel glide body is press-fit into the end of the leg tube. Glide caps (felt, plastic, or steel) are snap-fit onto the glide body. These are field-replaceable and interchangeable.

High-Density Chairs & Stools

High-Density Frames

High-Density wire frames are sled-base style, made of $\frac{7}{16}$ " diameter solid steel rod with all joints welded. Stool frames also have a footrest made of $\frac{1}{2}$ " diameter solid steel rod. Stools are available in 24" or 30" seat heights.

Frame Finishes

Frames are finished in either bright nickel-chrome plating or baked-on electrostatically-applied gloss epoxy powder-coat paint. Powder-coat paint may be specified in 30-degree gloss or select colors in a textured (matte) finish.

Glides

In addition to "no glide", ganging glides and non-ganging glides are available. Four non-ganging glide options are available; non-skid, felt, plastic, and steel. A clear polycarbonate glide body snaps onto the wire frame and is held in location with ribs that nest into slots that are pressed into the wire frame. Glide caps (non-skid, felt, plastic, or steel) have a black plastic structure and snap-fit onto the glide body. These are field-replaceable and interchangeable.

Ganging glides snap onto the wire frame and are held in location with ribs that nest into slots that are pressed into the wire frame. Ganging glides (2-male and 2-female) slide together, allowing multiple chairs to be connected in a line. Ganging glides are either clear polycarbonate, or clear polycarbonate with a steel floor-contact insert.

Transport Dolly

Frame construction is welded tubular steel with black powder-coated finish and 5" wheels (two swivel and two fixed). The dolly has a capacity of twenty-five poly chairs, ten upholstered chairs, fifteen poly stools, or eight upholstered stools.

Transport Dolly

Frame construction is welded tubular steel with black powder-coated finish and 5" wheels (two swivel and two fixed). The dolly fits 4-leg or sled base chairs and has a capacity of fifteen poly chairs or eight upholstered.



Nesting Chairs

Nesting Shell Assembly

To facilitate nesting, the entire shell flips forward approximately 45° to the storage position. A die-cast aluminum seat plate supports the seat shell and houses the flip-up mechanism. The seat plate is painted to match the shell poly color, using baked-on electrostatically-applied epoxy powder-coat paint in 30-degree gloss. The shell assembly rotates around a pivot tube that is integral to the frame. The shell assembly is held in the storage position by a dual ball-detent mechanism. Simply pushing the shell down returns the shell to the use position. There are no locking levers or other secondary actions required.

Frames

Legs are made from $\frac{7}{8}$ " O.D. by 13-gauge tubular steel. The seat pivot tube is made of $\frac{3}{4}$ " O.D. by 13-gauge tubular steel and the crossmember is made of 1" O.D. by 13-gauge tubular steel. All joints are welded.

Frame Finishes

Frames are finished in either baked-on electrostatically-applied epoxy powder-coat paint, or bright nickel-chrome plating.

Armrests (optional)

When equipped with armrests, a support structure is made from $\frac{7}{8}$ " O.D. by 13-gauge tubular steel, finished to match frame color. The armrests are injection-molded glass-reinforced nylon with an internal structure of $\frac{3}{8}$ " diameter steel wire and are press-fit into the support tube. Armrest color matches the frame finish, (except chrome and metallic finishes; which match the shell poly color).

Casters

Nesting chairs are equipped with dual surface casters, suitable for carpet or hard floors. Casters are 50 mm diameter, double-wheel, made of high-impact thermoplastic with softer elastomer over-molded on the wheel surfaces. Casters are available in Black, Warm Grey, or Cottonwood. (Cottonwood casters have Warm Grey elastomer on the surface that contacts the floor. All others are monochrome.)

Flip-Up Tablet Arm

Tablets are available on left-hand or right-hand side. The standard tablet's main worksurface is nominally 15" wide by 11" deep, and the tablet has a total surface area of 172 square inches. The oversized tablet's main worksurface is nominally 17" wide by 14" deep, and the tablet has a total surface area of 227 square inches. The tablet support loop is a continuation of the rear leg. A formed steel hinge is welded to the top of the support structure and secured with screws to the underside of the writing surface. Writing surface has plywood core of $\frac{5}{8}$ " thick, 11-ply hardwood, surfaced with .030" high-pressure laminate top and plain backer undersurface. Edges are lacquered and sealed.

ChangeUp™ Tablet Arm

ChangeUp tablet support is integral to the chair frame and consists of a $\frac{7}{8}$ " diameter solid steel rod welded to the front and rear support tubes. A three-piece molded plastic armrest is included and attached to the chair frame using a #10 x 2 $\frac{1}{2}$ " Phillips pan head tapping screw.

The tablet mechanism consists of a die-cast aluminum housing, upper and lower plastic bearings, and 11-gauge steel clamp and tablet board support plates. The tablet mechanism is clamped onto the chair frame over two plastic bushing halves and a $\frac{5}{16}$ " diameter by $1\frac{3}{4}$ " hardened steel pin with a die-cast aluminum cap secured with two $\frac{1}{4}$ -20 x $\frac{3}{4}$ " button socket head cap screws. The pin creates a solid 90° up/down pivot stop and the bushings provide a smooth, quiet operation. In the use position, the tablet mechanism rotates outward from the chair back an additional 20° and permits approximately 3 $\frac{1}{2}$ " of adjustment for ingress/egress without stowing the tablet.

The tablet worksurface is 21" wide by 13 $\frac{1}{2}$ " deep (235 square inches) is secured to the tablet board support plate with twelve #12 x $\frac{5}{8}$ " Phillips flat head tapping screws. The tablet board is made of 18 mm Baltic Birch plywood with .040" high-pressure laminate top surface and .02" thick phenolic backer surface for an overall board thickness of approximately $\frac{3}{4}$ ". Edges are lacquered with a clear finish and sealed. The factory installed tablet assembly is not field installable and may not be removed.

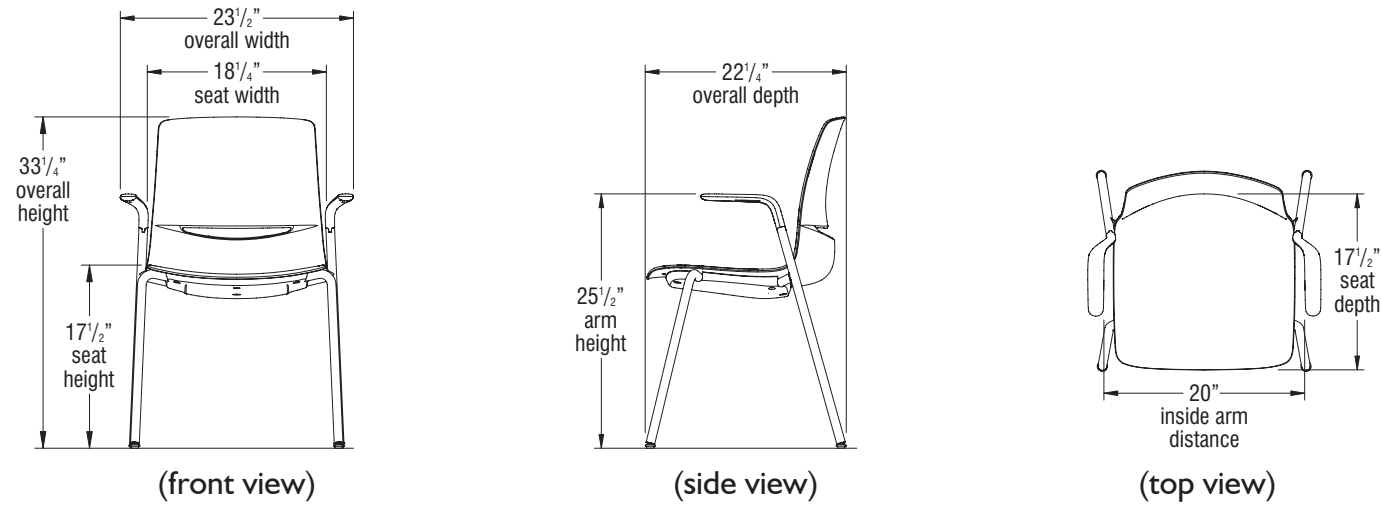
Compliance

Support frame, mechanism, and worksurface passes KI's internal testing for 250-pound weight capacity.

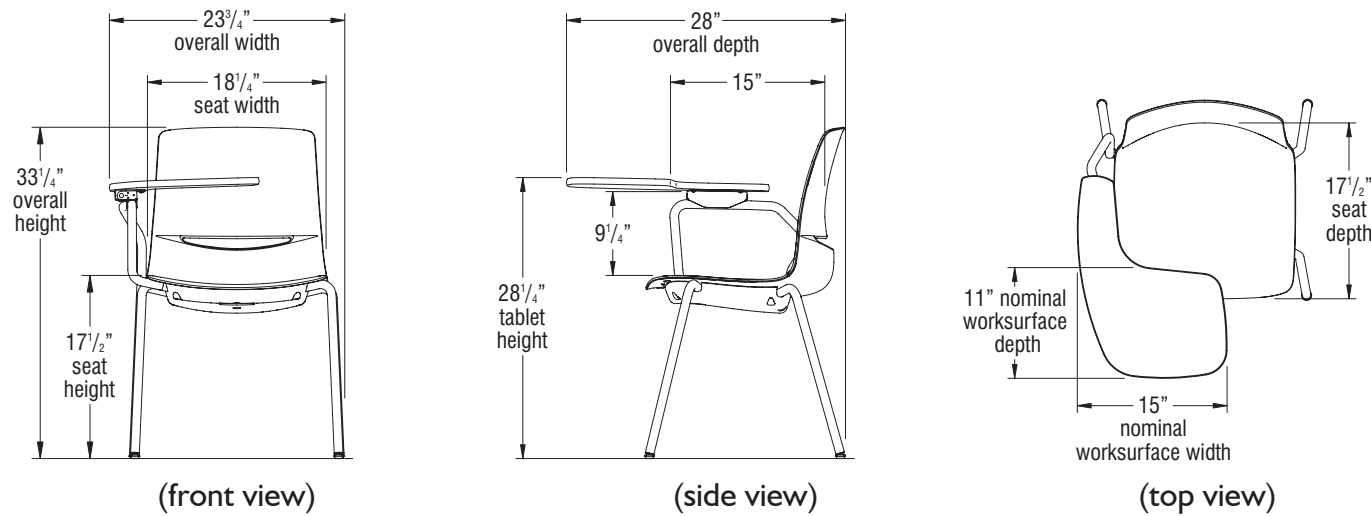


DIMENSIONS

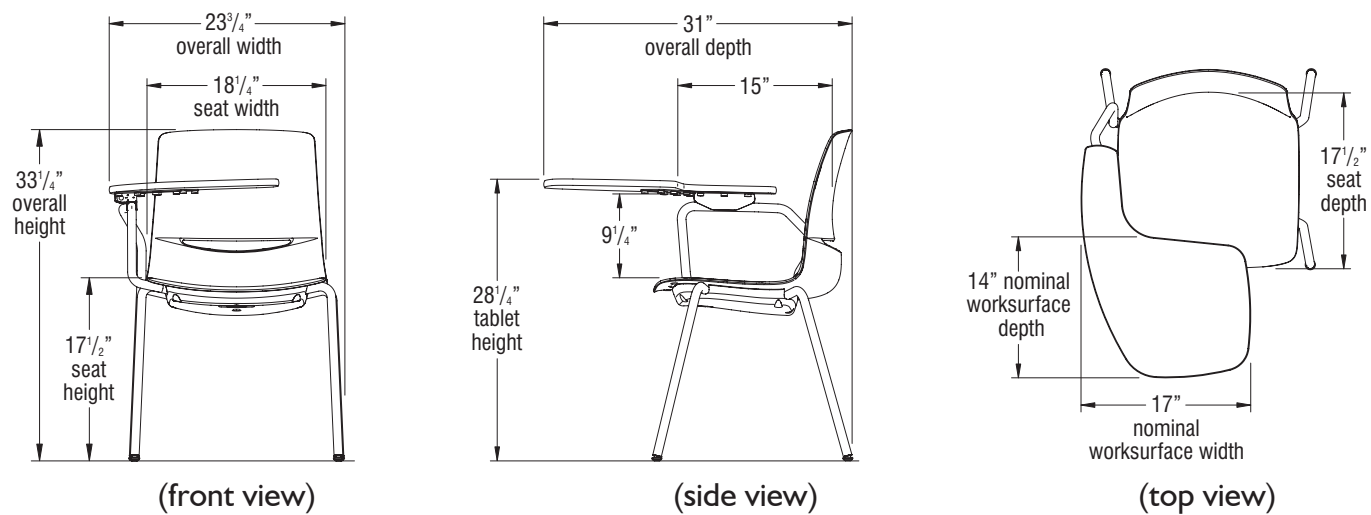
LimeLite 4-Leg Glide Stack Chair - Armchair - (model LL1111 shown)



LimeLite 4-Leg Glide Stack Chair - Flip-Up Tablet Armchair - (model LL113R shown)

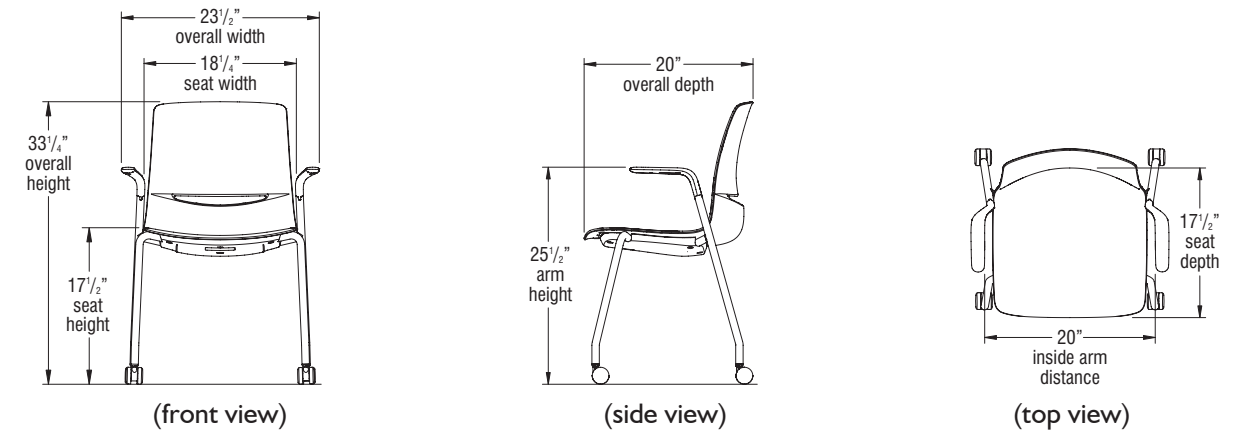


LimeLite 4-Leg Glide Stack Chair - Oversize Flip-Up Tablet Armchair - (model LL114R shown)

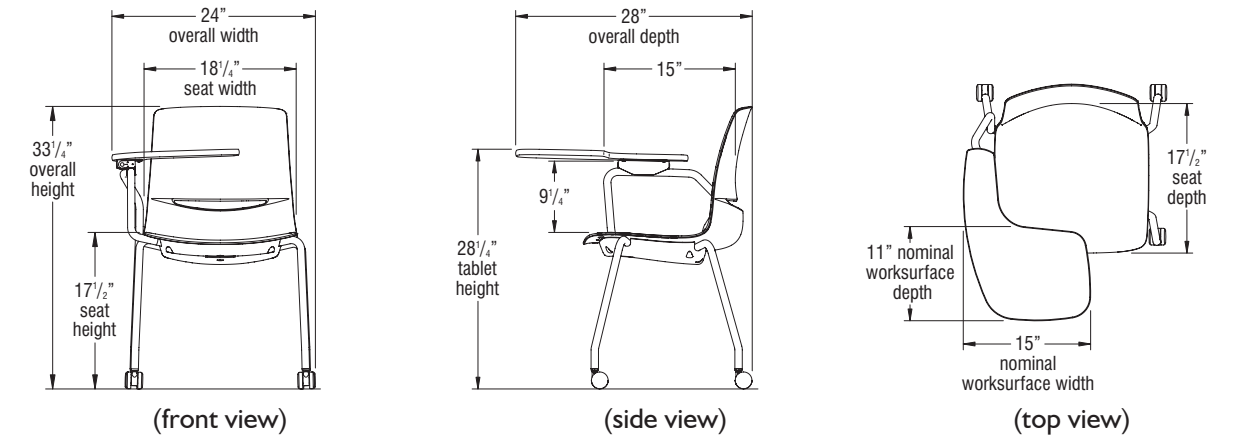


DIMENSIONS

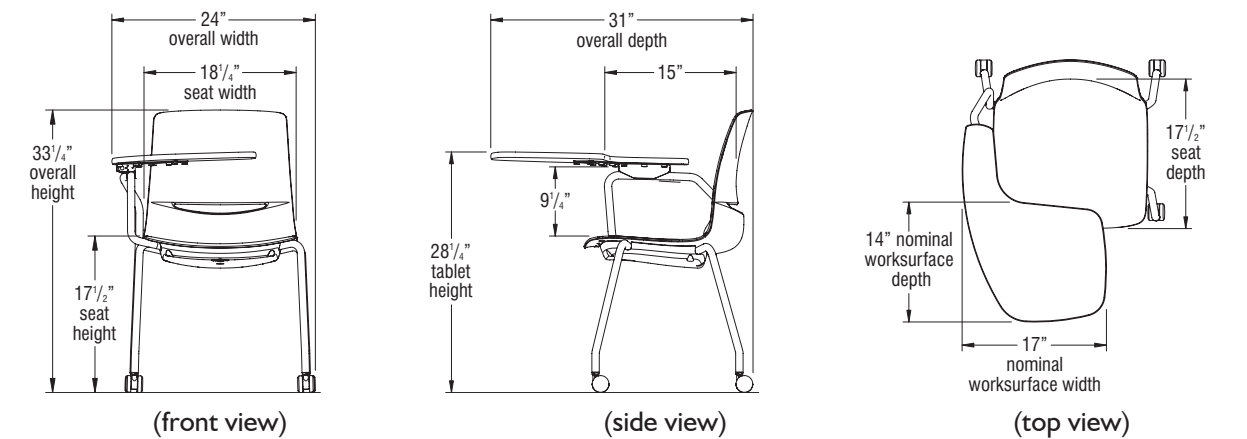
LimeLite 4-Leg Caster Stack Chair - Armchair - (model LL2111 shown)



LimeLite 4-Leg Caster Stack Chair - Flip-Up Tablet Armchair - (model LL213R shown)



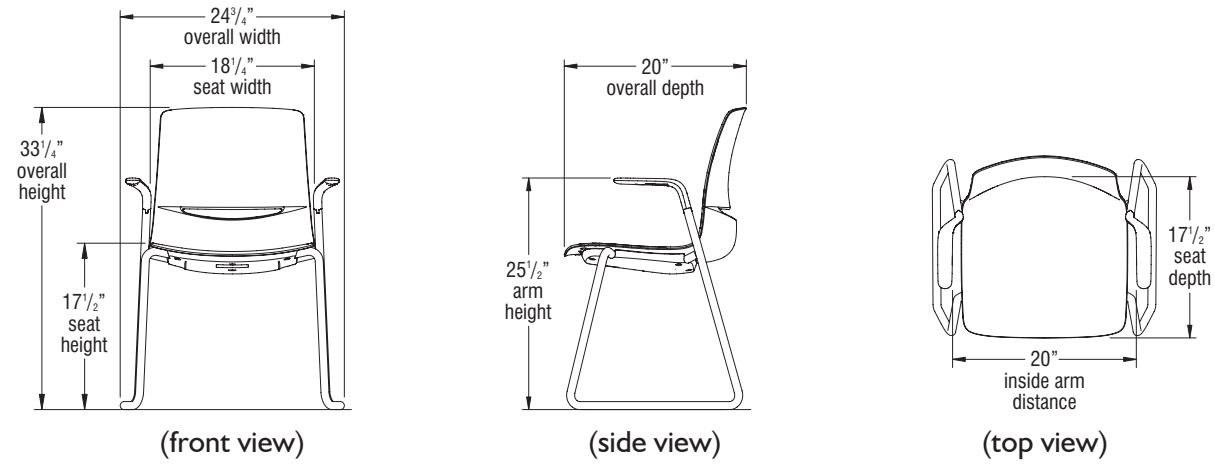
LimeLite 4-Leg Caster Stack Chair - Oversize Flip-Up Tablet Armchair - (model LL214R shown)



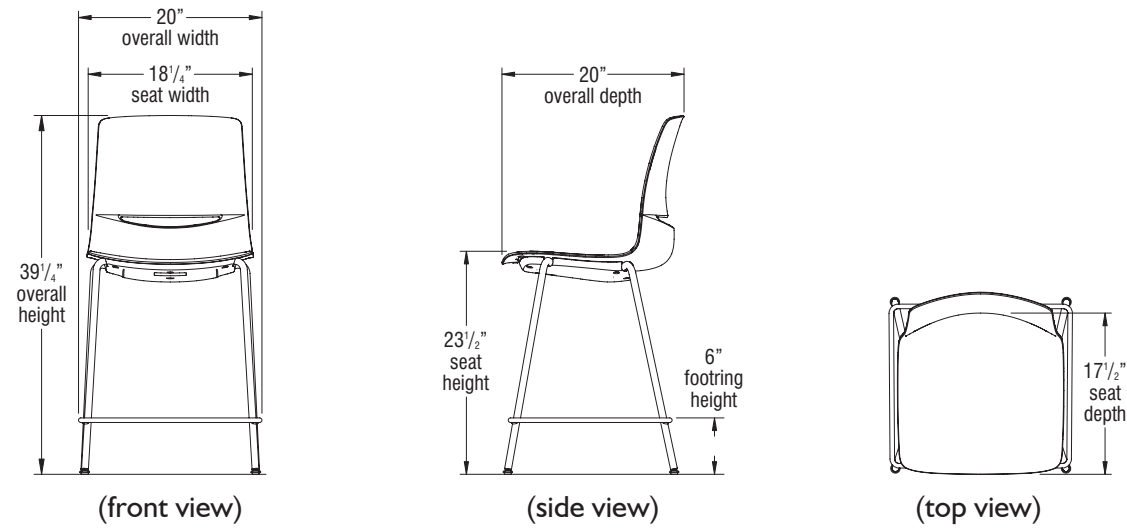


DIMENSIONS

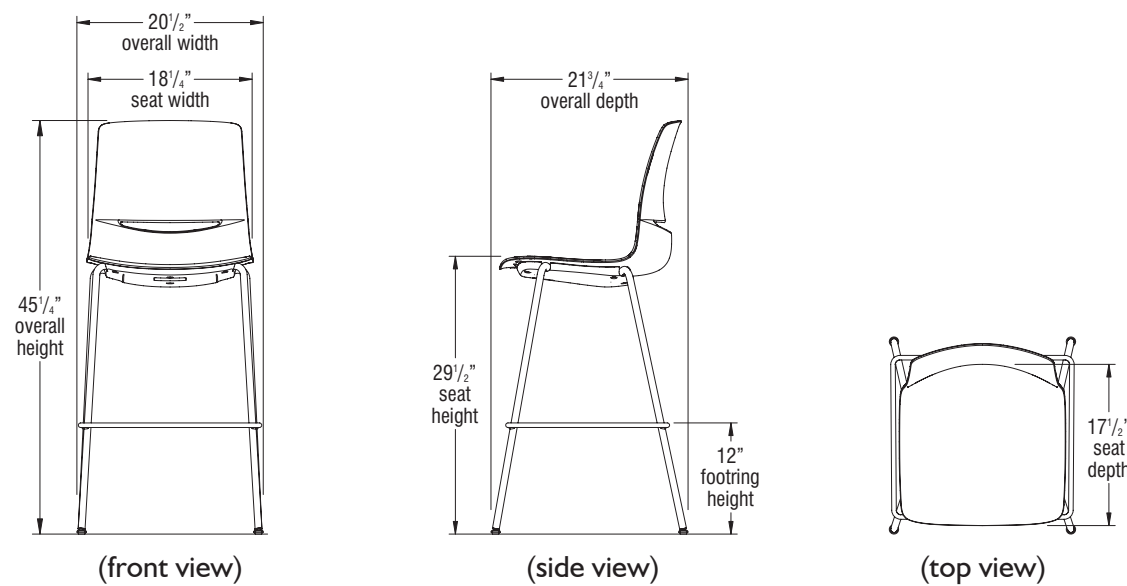
LimeLite Sled-Base Stack Chair - Armchair - (model LL3111 shown)



LimeLite 24" Café Stool (armless/non-stacking) - (model LL4100/24 shown)

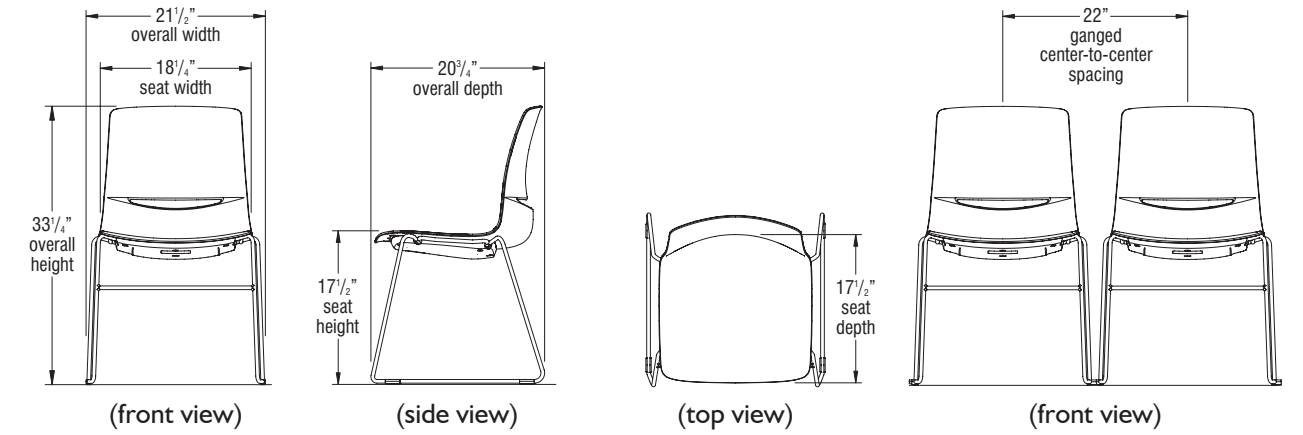


LimeLite 30" Café Stools (armless/non-stacking) - (model LL4100/30 shown)

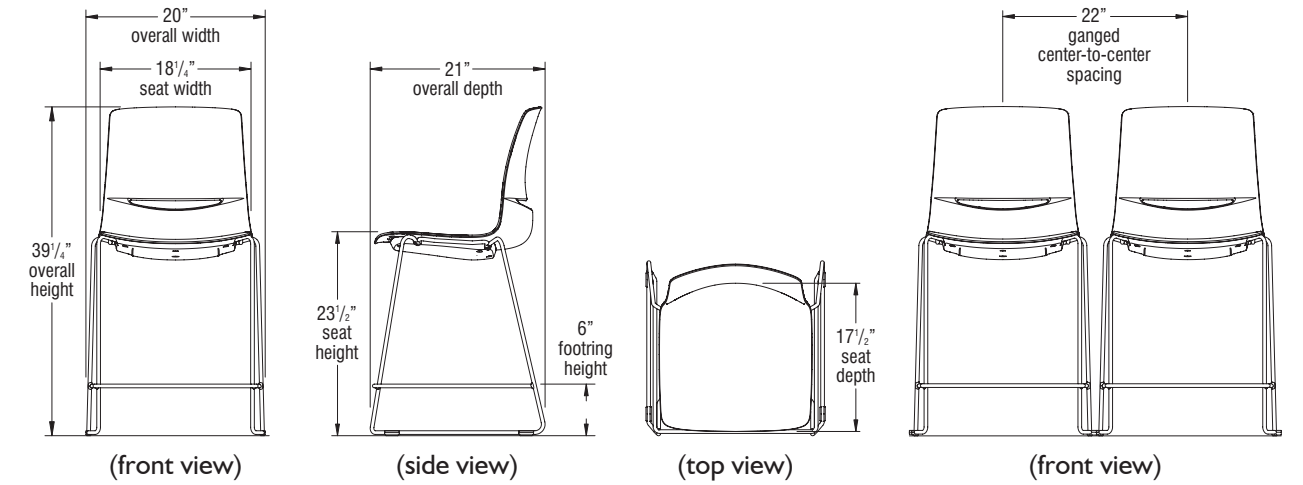


DIMENSIONS

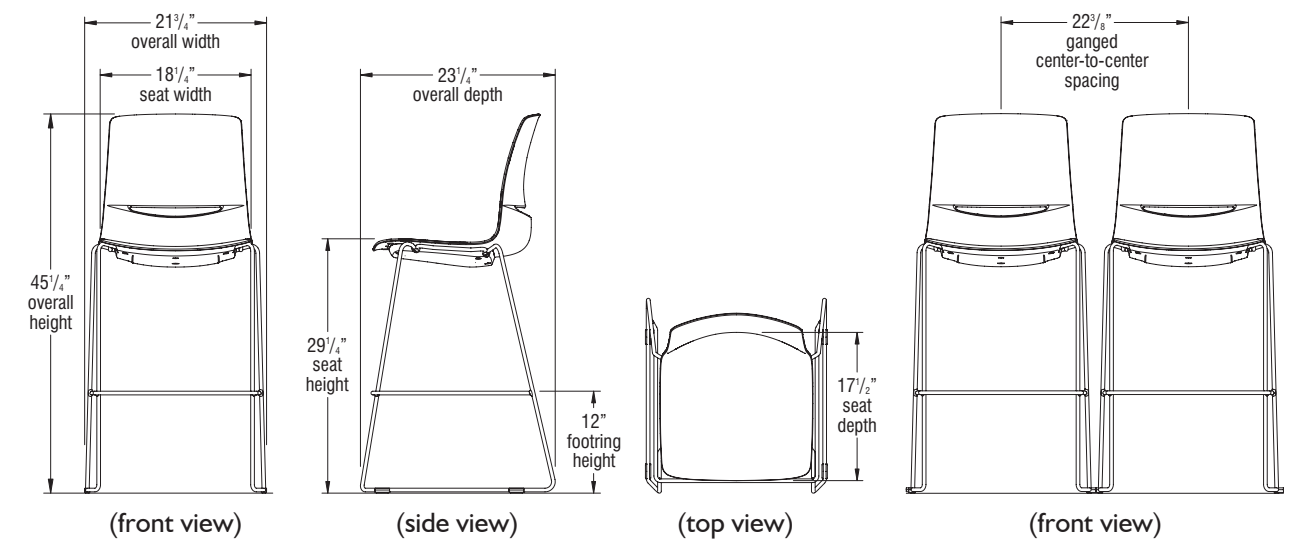
LimeLite High-Density Chair - Armless - (model LL7100 shown)



LimeLite 24" High-Density Stool - Armless - (model LLS100/24 shown)



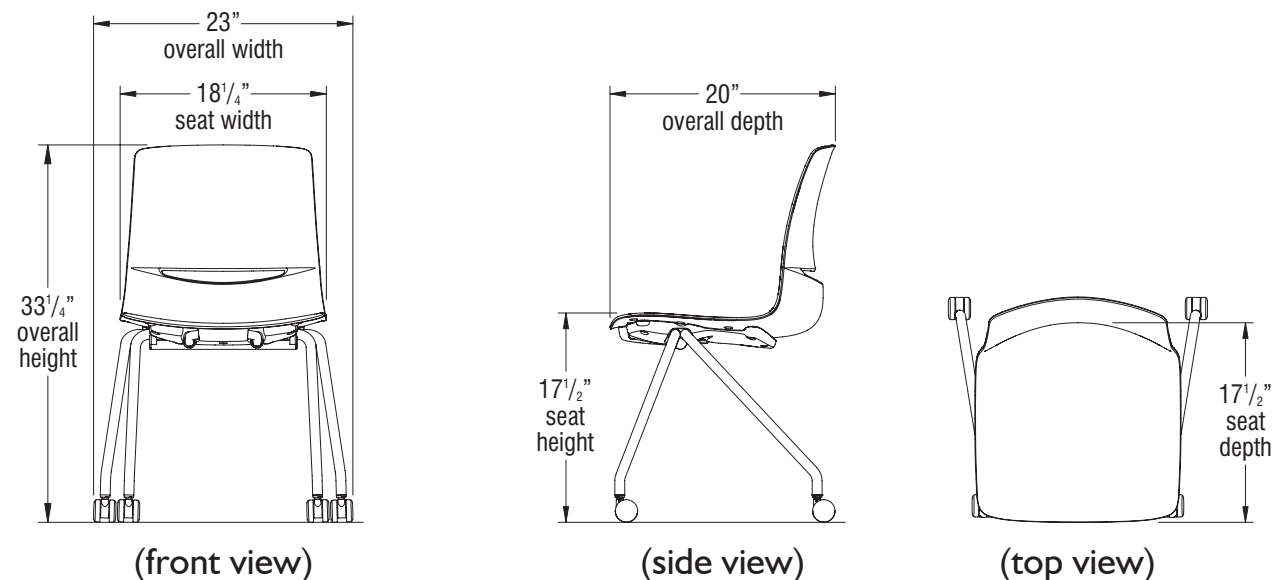
LimeLite 30" High-Density Stool - Armless - (model LLS100/30 shown)



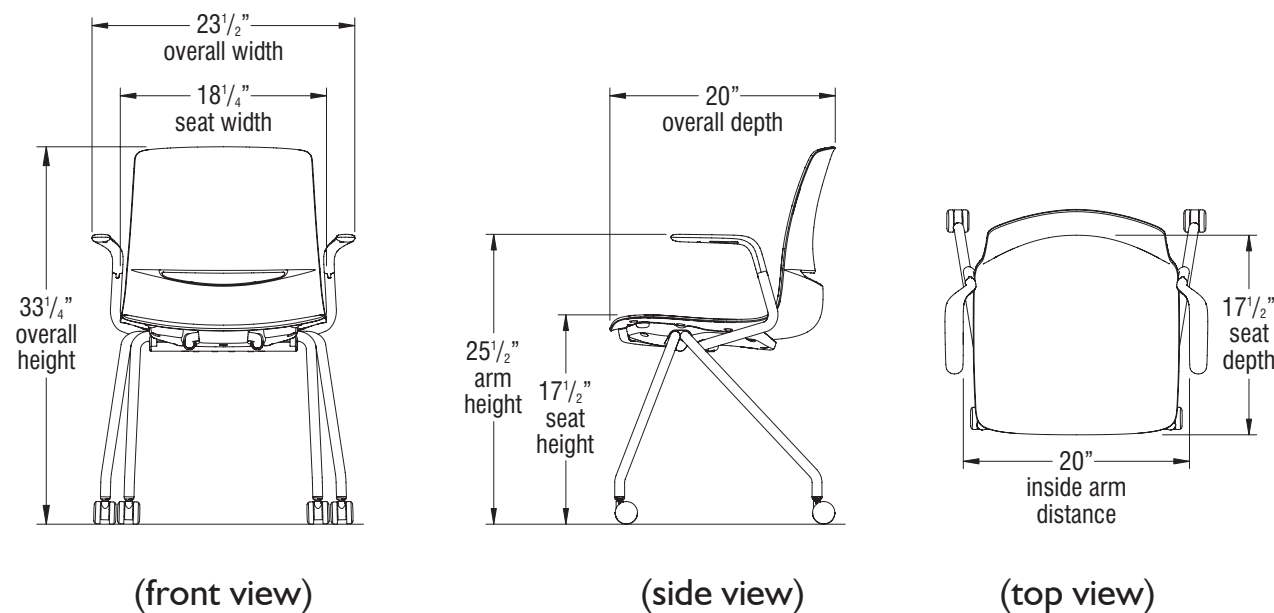


DIMENSIONS

LimeLite Nesting Chair - Armless Chair - (model LLA100 shown)

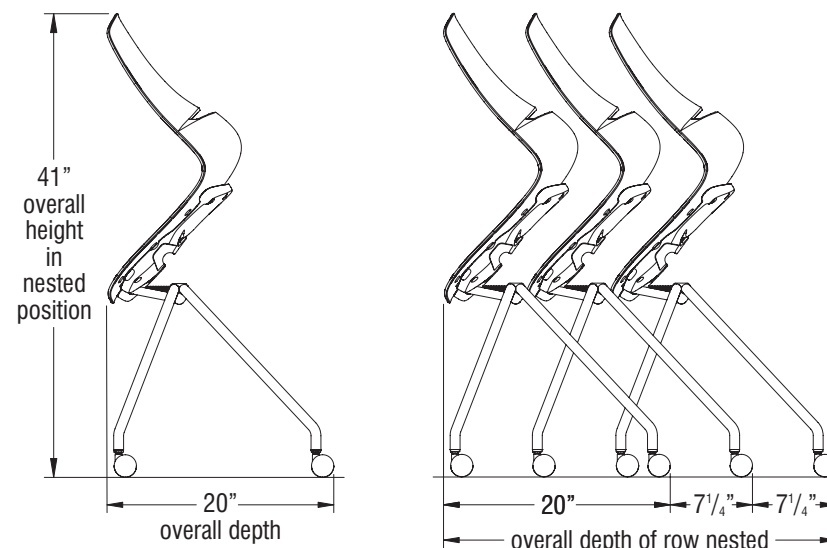


LimeLite Nesting Chair - Armchair - (model LLA111 shown)



LimeLite Nesting Footprint Calculations

Nesting Footprint Calculation: Overall Depth of a Row = 20" for the first chair plus 7.25" for each additional chair.
 Examples:
 2 chairs: 20" + (7.25" x 1) = 27.25"
 4 chairs: 20" + (7.25" x 3) = 41.75"



Nesting Chairs Footprint Examples	
Number of Chairs	Overall Depth of Nested Row
1	20"
2	27.25"
3	34.5"
4	41.75"
5+	Add 7.25" for each additional chair

LimeLite Nesting Footprint Calculations

Nesting Footprint Calculation: Overall Depth of a Row = 20" for the first chair plus 7.25" for each additional chair.
 Examples:
 2 chairs: 20" + (7.25" x 1) = 27.25"
 4 chairs: 20" + (7.25" x 3) = 41.75"



STATEMENT OF LINE

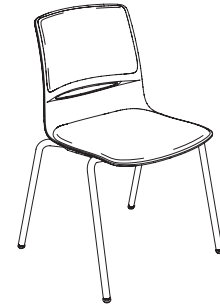
LimeLite 4-Leg Glide Stack Chairs



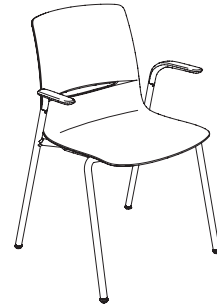
Poly Seat
Armless Chair
LL1100



Upholstered Seat
Armless Chair
LL1200



Upholstered Seat & Backrest
Armless Chair
LL1300



Poly Seat
Armchair
LL1111



Upholstered Seat
Armchair
LL1211



Upholstered Seat & Backrest
Armchair
LL1311



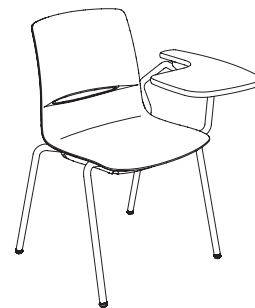
Poly Seat
Flip-Up Tablet Armchair RH
LL113R



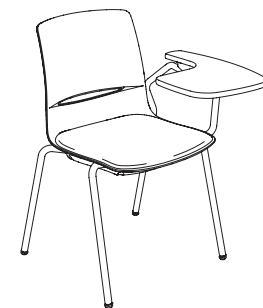
Upholstered Seat
Flip-Up Tablet Armchair RH
LL123R



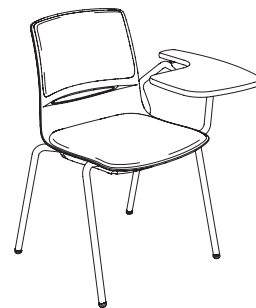
Upholstered Seat & Backrest
Flip-Up Tablet Armchair RH
LL133R



Poly Seat
Flip-Up Tablet Armchair LH
LL113L



Upholstered Seat
Flip-Up Tablet Armchair LH
LL123L



Upholstered Seat & Backrest
Flip-Up Tablet Armchair LH
LL133L

STATEMENT OF LINE

LimeLite 4-Leg Glide Stack Chairs (cont.)



Poly Seat
Oversize Flip-Up
Tablet Armchair RH
LL114R



Upholstered Seat
Oversize Flip-Up
Tablet Armchair RH
LL124R



Upholstered Seat & Backrest
Oversize Flip-Up
Tablet Armchair RH
LL134R



Poly Seat
Oversize Flip-Up
Tablet Armchair LH
LL114L

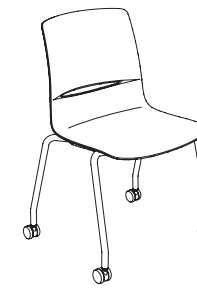


Upholstered Seat
Oversize Flip-Up
Tablet Armchair LH
LL124L



Upholstered Seat & Backrest
Oversize Flip-Up
Tablet Armchair LH
LL134L

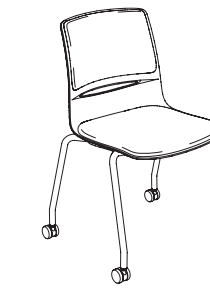
LimeLite 4-Leg Caster Stack Chairs



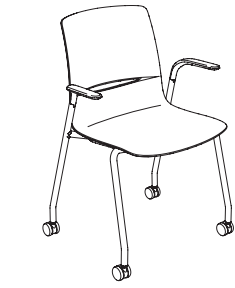
Poly Seat
Armless Chair
LL2100



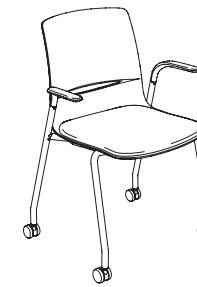
Upholstered Seat
Armless Chair
LL2200



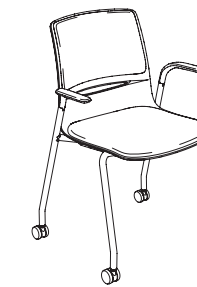
Upholstered Seat & Backrest
Armless Chair
LL2300



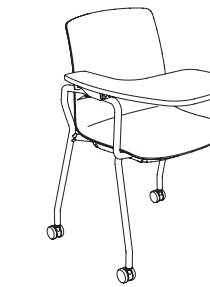
Poly Seat
Armchair
LL2111



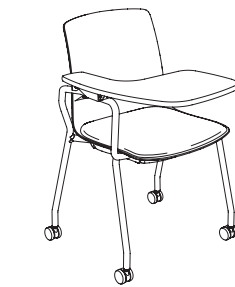
Upholstered Seat
Armchair
LL2211



Upholstered Seat & Backrest
Armchair
LL2311



Poly Seat
Flip-Up Tablet Armchair RH
LL213R

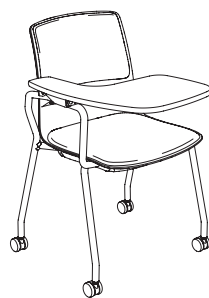


Upholstered Seat
Flip-Up Tablet Armchair RH
LL223R

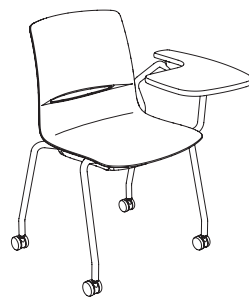


STATEMENT OF LINE

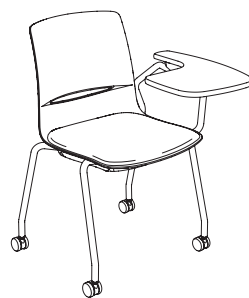
LimeLite 4-Leg Caster Stack Chairs (cont.)



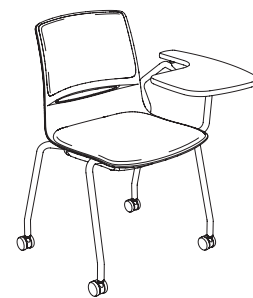
Upholstered Seat & Backrest
Flip-Up Tablet Armchair RH
LL233R



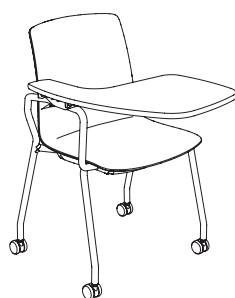
Poly Seat
Flip-Up Tablet Armchair LH
LL213L



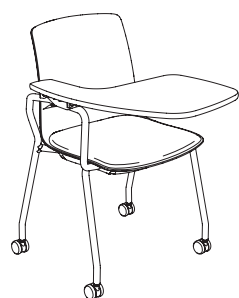
Upholstered Seat
Flip-Up Tablet Armchair LH
LL223L



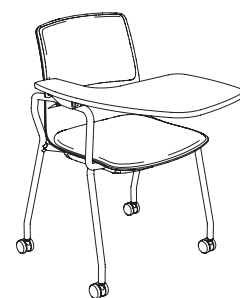
Upholstered Seat & Backrest
Flip-Up Tablet Armchair LH
LL233L



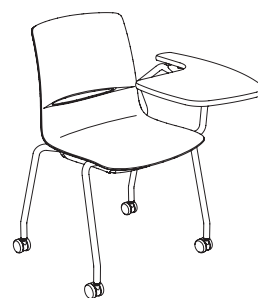
Poly Seat
Oversize Flip-Up
Tablet Armchair RH
LL214R



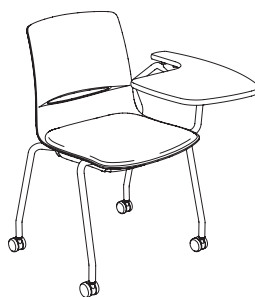
Upholstered Seat
Oversize Flip-Up
Tablet Armchair RH
LL224R



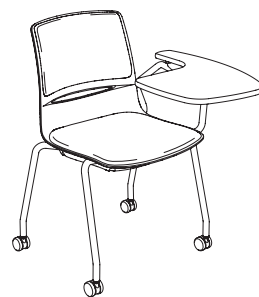
Upholstered Seat & Backrest
Oversize Flip-Up
Tablet Armchair RH
LL234R



Poly Seat
Oversize Flip-Up
Tablet Armchair LH
LL214L



Upholstered Seat
Oversize Flip-Up
Tablet Armchair LH
LL224L



Upholstered Seat & Backrest
Oversize Flip-Up
Tablet Armchair LH
LL234L

LimeLite Sled-Base Stack Chairs



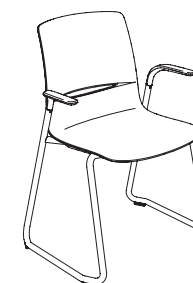
Poly Seat
Armless Chair
LL3100



Upholstered Seat
Armless Chair
LL3200



Upholstered Seat & Backrest
Armless Chair
LL3300



Poly Seat
Armchair
LL3111



Upholstered Seat
Armchair
LL3211



Upholstered Seat & Backrest
Armchair
LL3311

LimeLite Café Stools (armless/non-stacking)



24"
Poly Seat
LL4100/24



24"
Upholstered Seat
LL4200/24



24"
Upholstered Seat & Backrest
LL4300/24



30"
Poly Seat
LL4100/30



30"
Upholstered Seat
LL4200/30



30"
Upholstered Seat & Backrest
LL4300/30

**Stack/Nesting Seating Frame Color**

Black	BL	Hazy Jade	PHJ	White Nebula	LWL
Blue Grey	GR	Honey Bee	PHY	White Sand	LWN
Bronze Metallic	ZM	Light Tone	PLG	Windsor Mahogany	LWY
Cayenne	CY	Mardi Gras	PMG		
Champagne Metallic	CM	Misty Brown	PMY		
Chrome	CH	Nemo	PNE		
Cool Grey	CG	Nordic	PND		
Cottonwood	CO	Poppy Red	PPR		
Earthen Clay	EY	Purple Haze	PPH		
Espresso Metallic	EX	Rainforest	PRQ		
Everglade Shade	EV	Raw Jasper	PRJ		
Flannel	FN	Rubber Ducky	PRK		
Glitz Metallic	GZ	Sand	PSA		
Hazy Jade	HJ	Sky Blue	PSK		
Honey Bee	HY	Surf's Up	PSP		
Light Tone	LG	Tarragon	PTQ		
Mardi Gras	MG	Twilight Shadow	PTI		
Misty Brown	MY	Ultra Blue	PUB		
Nemo	NE	Warm Grey	PWG		
Nordic	ND	Zesty Lime	PZL		
Poppy Red	PR				
Purple Haze	PH				
Rainforest	RQ				
Raw Jasper	RJ				
Rubber Ducky	RK				
Sand	SA				
Sky Blue	SK				
Starlight Silver Metallic	SX				
Surf's Up	SP				
Tarragon	TQ				
Twilight Shadow	TI				
Ultra Blue	UB				
Warm Grey	WG				
Zesty Lime	ZL				
Black Textured (Matte)	BLT				
Cool Grey Textured (Matte)	CGT				
Cottonwood Textured (Matte)	COT				
Flannel Textured (Matte)	FNT				
Warm Grey Textured (Matte)	WGT				

Nemo and Zesty Lime are only available as standard color options on armless models. If required on an arm model, a PRM can be submitted for approval, provided the client has visually approved the color variation.

Tablet Arm Color - Laminate

Beigewood	LBZ
Belair	LBQ
Blitmore Cherry	LBT
Black	LBK
Brighton Walnut	LBW
Castle Oak	LCO
Cherry Storm	LCX
Classic Linen	LCI
Cocobala	LCC
Crisp Linen	LRI
Designer White	LDR
Dove Grey	LDG
Florence Walnut	LFC
Friston Ash	LFH
Frosty White	LFW
Graphite Nebula	LGN
Grey	LGE
High Rise	LHE
Hollyberry	LHY
Island	LID
Italian Silver Ash	LIT
Kensington Maple	LKM
Lapis Blue	LLB
Monticello Maple	LMT
North Sea	LNA
Ocean	LON
Pinnacle Walnut	LPW
River Cherry	LRY
Shadow Zephyr	LSR
Sterling Ash	LAZ
Titanium Evolv	LTV

Nemo and Zesty Lime are only available as standard color options on armless models. If required on an arm model, a PRM can be submitted for approval, provided the client has visually approved the color variation.

Armrest matches frame finish except for chrome, metallic, or hammertone, then arm matches poly pick.

NOTE: Textured finishes are NOT available on Nesting Seating.

Poly Color - Shell

Black	PBL
Blue Grey	PGR
Cayenne	PCY
Cool Grey	PCG
Cottonwood	PCO
Earthen Clay	PEY
Everglade Shade	PEV
Flannel	PFN



Finish Cards

View color swatches for items listed within this document.

Paints**Plastics/Poly****Wood/Veneer****Laminates****Molded Edges****Edge Styles****Hard Plastics****Glass**

Certain options referenced may not be available on GSA Schedule.



MODEL	Features	MODEL NUMBER						Approx. Packaged Weight	Delivered Pricing	Delivered Pricing Fabric Grade 1 & C.O.M.	Delivered Pricing Fabric Grade 2	Delivered Pricing Fabric Grade 3 & Group 2V Vinyl	Delivered Pricing Pallas Fabric Group P0	Delivered Pricing Pallas Fabric Group P1	Delivered Pricing Pallas Fabric Group P2	Delivered Pricing Pallas Fabric Group P3
		Basic Model	Shell Color	Frame/Armrest Finish*	Caster Color	Glide Option	Upholstery Color									
 <p>Four-Leg Armless Chair with Glides</p> <ul style="list-style-type: none"> • One-piece shell • Passive Flex • Expansive color options • Large family • 400 pound approved • Stacking 	Poly Seat/Back	LL1100	<input type="checkbox"/>	<input type="checkbox"/>		<input type="checkbox"/>	21.30#	\$ 275								
	Uph Seat/Poly Back	LL1200	<input type="checkbox"/>	<input type="checkbox"/>		<input type="checkbox"/>	23.30#	N/A	489	496	511	498	550	571	594	
	Uph Seat/Back	LL1300	<input type="checkbox"/>	<input type="checkbox"/>		<input type="checkbox"/>	23.30#	N/A	563	570	585	572	624	645	668	
 <p>Four-Leg Armless Chair with Casters</p> <ul style="list-style-type: none"> • One-piece shell • Passive Flex • Expansive color options • Large family • 400 pound approved • Dual surface casters • Stacking on floor only 	Poly Seat/Back	LL2100	<input type="checkbox"/>	<input type="checkbox"/>	<input type="checkbox"/>		22.30#	\$ 326								
	Uph Seat/Poly Back	LL2200	<input type="checkbox"/>	<input type="checkbox"/>	<input type="checkbox"/>		24.30#	N/A	542	548	564	551	602	624	646	
	Uph Seat/Back	LL2300	<input type="checkbox"/>	<input type="checkbox"/>	<input type="checkbox"/>		22.30#	N/A	616	622	638	625	676	698	720	

A **B** **C** **D** **E** **F**

HOW TO ORDER

- Indicate the following information on order form:
1. Quantity of each item.
 2. Model number, including options. See "How To Build a Model Number".
 3. Any special service required.

Note:

- The indicates that a choice is required.
- The absence of the indicates that no choice is required.
- Alpha-numeric characters in place of indicate that no other alternatives are available.

HOW TO BUILD A MODEL NUMBER

Refer to ki.com/fabrics

- A** Select basic model.
- B** Select shell color.
Refer to the **Product Color Options** page in this price list.
- C** Select frame/armrest color.
Refer to the **Product Color Options** page in this price list.
- D** Select caster color.

UCBL	- Dual surface casters, Black
UCCO	- Dual surface casters, Cottonwood; add \$29
UCWG	- Dual surface casters, Warm Grey ; add \$29
- E** Select glide option.

GFT	- Felt glides
GPL	- Plastic glides
GSL	- Steel glides
- F** Select upholstery grade/color.

UPHOLSTERY INFORMATION

C.O.M. Upholstery
C.O.M. requirement for 10 chairs or less with upholstered seat is 3/4 yard per chair of 54" wide nondirectional fabric. For orders of 11 or more with upholstered seat and for complete information on ordering C.O.M. see "Ordering Customer's Own Material (C.O.M) Upholstery" section.

SPECIAL SERVICES



Special Carton Marking

With specially marked information N/C

Shipping
Ships **assembled, FOB Green Bay, WI 54302, freight prepaid.** Freight class 125.

Specifications and prices are subject to change without prior notice.



MODEL	Features	MODEL NUMBER						Approx. Packaged Weight	Delivered Pricing	Delivered Pricing Fabric Grade 1 & C.O.M.	Delivered Pricing Fabric Grade 2	Delivered Pricing Fabric Grade 3 & Group 2V Vinyl	Delivered Pricing Pallas Fabric Group P0	Delivered Pricing Pallas Fabric Group P1	Delivered Pricing Pallas Fabric Group P2	Delivered Pricing Pallas Fabric Group P3
		Basic Model	Shell Color	Frame/Armrest Finish*	Caster Color	Glide Option	Upholstery Color									
 LL11 LL12 LL13	Four-Leg Arm Chair with Glides	Poly Seat/Back	LL1111	<input type="checkbox"/>	<input type="checkbox"/>		<input type="checkbox"/>	24.00#	\$ 357							
	<ul style="list-style-type: none"> • One-piece shell • Passive Flex • Expansive color options • Large family • 400 pound approved • Stacking • Armrest matches frame finish except for chrome, metallic or hammertone, then the arm matches poly pick. 	Uph Seat/Poly Back	LL1211	<input type="checkbox"/>	<input type="checkbox"/>		<input type="checkbox"/>	26.00#	N/A	572	580	594	582	632	655	678
		Uph Seat/Back	LL1311	<input type="checkbox"/>	<input type="checkbox"/>		<input type="checkbox"/>	24.00#	N/A	646	654	668	656	706	728	752
 LL21 LL22 LL23	Four-Leg Arm Chair with Casters	Poly Seat/Back	LL2111	<input type="checkbox"/>	<input type="checkbox"/>	<input type="checkbox"/>		25.00#	\$ 410							
	<ul style="list-style-type: none"> • One-piece shell • Passive Flex • Expansive color options • Large family • 400 pound approved • Dual surface casters • Stacking on floor only • Armrest matches frame finish except for chrome, metallic or hammertone, then the arm matches poly pick. 	Uph Seat/Poly Back	LL2211	<input type="checkbox"/>	<input type="checkbox"/>	<input type="checkbox"/>	<input type="checkbox"/>	27.00#	N/A	624	630	645	632	684	706	728
		Uph Seat/Back	LL2311	<input type="checkbox"/>	<input type="checkbox"/>	<input type="checkbox"/>	<input type="checkbox"/>	22.30#	N/A	698	704	719	706	758	780	802
				A	B	C	D	E	F							

HOW TO ORDER

- Indicate the following information on order form:
1. Quantity of each item.
 2. Model number, including options. See "How To Build a Model Number".
 3. Any special service required.

Note: • The indicates that a choice is required.
 • The absence of the indicates that no choice is required.
 • Alpha-numeric characters in place of indicate that no other alternatives are available.

HOW TO BUILD A MODEL NUMBER

- A** Select basic model.
- B** Select shell color. Refer to the **Product Color Options** page in this price list.
- C** Select frame/armrest color. Refer to the **Product Color Options** page in this price list. *See NOTE.
- D** Select caster color.
 - UCBL** - Dual surface casters, Black
 - UCCO** - Dual surface casters, Cottonwood; \$29
 - UCWG** - Dual surface casters, Warm Grey ; \$29
- E** Select glide option.
 - GFT** - Felt glides
 - GPL** - Plastic glides
 - GSL** - Steel glides

F Select upholstery grade/color. Refer to ki.com/fabrics

NOTE

*Armrest matches frame finish except for chrome, metallic or hammertone, then arm matches poly pick.

UPHOLSTERY INFORMATION

C.O.M. Upholstery
 C.O.M. requirement for 10 chairs or less with upholstered seat is 3/4 yard per chair of 54" wide nondirectional fabric. For orders of 11 or more with upholstered seat and for complete information on ordering C.O.M. see "Ordering Customer's Own Material (C.O.M) Upholstery" section.



SPECIAL SERVICES

Special Carton Marking
 With specially marked information N/C

Shipping
 Ships **assembled, FOB Green Bay, WI 54302, freight prepaid.** Freight class 125.

Specifications and prices are subject to change without prior notice.



MODEL	Features	MODEL NUMBER							Approx. Packaged Weight	Delivered Pricing	Delivered Pricing Fabric Grade 1 & C.O.M.	Delivered Pricing Fabric Grade 2	Delivered Pricing Fabric Grade 3 & Group 2V Vinyl	Delivered Pricing Pallas Fabric Group P0	Delivered Pricing Pallas Fabric Group P1	Delivered Pricing Pallas Fabric Group P2	Delivered Pricing Pallas Fabric Group P3
		Basic Model	Shell Color	Frame/Armrest Finish*	Caster Color	Glide Option	Tablet Arm Color	Upholstery Color									
 <p>Four-Leg Tablet Arm Chair with Glides</p> <ul style="list-style-type: none"> • One-piece shell • Passive Flex • Expansive color options • Large family • Flip-up tablet stacks 4 high • 400 pound approved • Stacking on floor only 	Poly Seat/Back, RH	LL113R	<input type="checkbox"/>	<input type="checkbox"/>		<input type="checkbox"/>	<input type="checkbox"/>		29.00#	\$ 529							
	Poly Seat/Back, LH	LL113L	<input type="checkbox"/>	<input type="checkbox"/>		<input type="checkbox"/>	<input type="checkbox"/>		29.00#	529							
	Uph Seat/Poly Back, RH	LL123R	<input type="checkbox"/>	<input type="checkbox"/>		<input type="checkbox"/>	<input type="checkbox"/>	<input type="checkbox"/>	31.00#	N/A	744	752	766	754	804	827	850
	Uph Seat/Poly Back, LH	LL123L	<input type="checkbox"/>	<input type="checkbox"/>		<input type="checkbox"/>	<input type="checkbox"/>	<input type="checkbox"/>	31.00#	N/A	744	752	766	754	804	827	850
	Uph Seat/Back, LH	LL133L	<input type="checkbox"/>	<input type="checkbox"/>		<input type="checkbox"/>	<input type="checkbox"/>	<input type="checkbox"/>	29.00#	N/A	818	826	840	828	878	900	924
	Uph Seat/Back, RH	LL133R	<input type="checkbox"/>	<input type="checkbox"/>		<input type="checkbox"/>	<input type="checkbox"/>	<input type="checkbox"/>	29.00#	N/A	818	826	840	828	878	900	924
 <p>Four-Leg Tablet Arm Chair with Casters</p> <ul style="list-style-type: none"> • One-piece shell • Passive Flex • Expansive color options • Large family • Flip-up tablet stacks 4 high • 400 pound approved • Dual surface caster • Stacking on floor only 	Poly Seat/Back, RH	LL213R	<input type="checkbox"/>	<input type="checkbox"/>	<input type="checkbox"/>		<input type="checkbox"/>		29.20#	\$ 582							
	Poly Seat/Back, LH	LL213L	<input type="checkbox"/>	<input type="checkbox"/>	<input type="checkbox"/>		<input type="checkbox"/>		29.20#	582							
	Uph Seat/Poly Back, RH	LL223R	<input type="checkbox"/>	<input type="checkbox"/>	<input type="checkbox"/>		<input type="checkbox"/>	<input type="checkbox"/>	31.20#	N/A	796	802	817	804	856	878	900
	Uph Seat/Poly Back, LH	LL223L	<input type="checkbox"/>	<input type="checkbox"/>	<input type="checkbox"/>		<input type="checkbox"/>	<input type="checkbox"/>	31.20#	N/A	796	802	817	804	856	878	900
	Uph Seat/Back, RH	LL233R	<input type="checkbox"/>	<input type="checkbox"/>	<input type="checkbox"/>		<input type="checkbox"/>	<input type="checkbox"/>	29.20#	N/A	870	876	891	878	930	952	974
	Uph Seat/Back, LH	LL233L	<input type="checkbox"/>	<input type="checkbox"/>	<input type="checkbox"/>		<input type="checkbox"/>	<input type="checkbox"/>	31.20#	N/A	870	876	891	878	930	952	974

A B C D E F G

HOW TO ORDER

- Indicate the following information on order form:
1. Quantity of each item.
 2. Model number, including options. See "How To Build a Model Number".
 3. Any special service required.

Note: • The indicates that a choice is required.
 • The absence of the indicates that no choice is required.
 • Alpha-numeric characters in place of indicate that no other alternatives are available.

HOW TO BUILD A MODEL NUMBER

- A** Select basic model.
- B** Select shell color. Refer to the **Product Color Options** page in this price list.
- C** Select frame/armrest color. Refer to the **Product Color Options** page in this price list.
- D** Select caster color.
 - UCBL** - Dual surface casters, Black
 - UCCO** - Dual surface casters, Cottonwood; add \$29
 - UCWG** - Dual surface casters, Warm Grey ; add \$29
- E** Select glide option.
 - GFT** - Felt glides
 - GPL** - Plastic glides
 - GSL** - Steel glides
- F** Select tablet arm color.

Refer to the **Product Color Options** page in this price list.

- G** Select upholstery grade/color. Refer to ki.com/fabrics

UPHOLSTERY INFORMATION

C.O.M. Upholstery
 C.O.M. requirement for 10 chairs or less with upholstered seat is 3/4 yard per chair of 54" wide nondirectional fabric. For orders of 11 or more with upholstered seat and for complete information on ordering C.O.M. see "Ordering Customer's Own Material (C.O.M) Upholstery" section.

SPECIAL SERVICES



Special Carton Marking

With specially marked information N/C

Shipping
 Ships **assembled, FOB Green Bay, WI 54302, freight prepaid.** Freight class 125.

Specifications and prices are subject to change without prior notice.



MODEL	Features	MODEL NUMBER							Approx. Packaged Weight	Delivered Pricing	Delivered Pricing Fabric Grade 1 & C.O.M.	Delivered Pricing Fabric Grade 2	Delivered Pricing Fabric Grade 3 & Group 2V Vinyl	Delivered Pricing Pallas Fabric Group P0	Delivered Pricing Pallas Fabric Group P1	Delivered Pricing Pallas Fabric Group P2	Delivered Pricing Pallas Fabric Group P3
		Basic Model	Shell Color	Frame/Armrest Finish*	Caster Color	Glide Option	Tablet Arm Color	Upholstery Color									
 <p>Four-Leg Oversize Tablet Arm Chair with Glides</p> <ul style="list-style-type: none"> • One-piece shell • Passive Flex • Expansive color options • Large family • Flip-up tablet stacks 4 high • 400 pound approved • Stacking on floor only 	Poly Seat/Back, RH	LL114R	<input type="checkbox"/>	<input type="checkbox"/>		<input type="checkbox"/>	<input type="checkbox"/>		33.30#	\$ 575							
	Poly Seat/Back, LH	LL114L	<input type="checkbox"/>	<input type="checkbox"/>		<input type="checkbox"/>	<input type="checkbox"/>		33.30#	575							
	Uph Seat/Poly Back, RH	LL124R	<input type="checkbox"/>	<input type="checkbox"/>		<input type="checkbox"/>	<input type="checkbox"/>	<input type="checkbox"/>	33.30#	N/A	831	838	853	840	891	913	936
	Uph Seat/Poly Back, LH	LL124L	<input type="checkbox"/>	<input type="checkbox"/>		<input type="checkbox"/>	<input type="checkbox"/>	<input type="checkbox"/>	33.30#	N/A	831	838	853	840	891	913	936
	Uph Seat/Back, RH	LL134R	<input type="checkbox"/>	<input type="checkbox"/>		<input type="checkbox"/>	<input type="checkbox"/>	<input type="checkbox"/>	33.30#	N/A	905	912	927	914	965	987	1010
	Uph Seat/Back, LH	LL134L	<input type="checkbox"/>	<input type="checkbox"/>		<input type="checkbox"/>	<input type="checkbox"/>	<input type="checkbox"/>	33.30#	N/A	905	912	927	914	965	987	1010
LL11 LL12 LL13																	
 <p>Four-Leg Oversize Tablet Arm with Casters</p> <ul style="list-style-type: none"> • One-piece shell • Passive Flex • Expansive color options • Large family • Flip-up tablet stacks 4 high • 400 pound approved • Stacking on floor only 	Poly Seat/Back, RH	LL214R	<input type="checkbox"/>	<input type="checkbox"/>	<input type="checkbox"/>		<input type="checkbox"/>		33.50#	\$ 668							
	Poly Seat/Back, LH	LL214L	<input type="checkbox"/>	<input type="checkbox"/>	<input type="checkbox"/>		<input type="checkbox"/>		33.50#	668							
	Uph Seat/Poly Back, RH	LL224R	<input type="checkbox"/>	<input type="checkbox"/>	<input type="checkbox"/>		<input type="checkbox"/>	<input type="checkbox"/>	33.50#	N/A	882	889	904	891	943	965	987
	Uph Seat/Poly Back, LH	LL224L	<input type="checkbox"/>	<input type="checkbox"/>	<input type="checkbox"/>		<input type="checkbox"/>	<input type="checkbox"/>	33.50#	N/A	882	889	904	891	943	965	987
	Uph Seat/Back, RH	LL234R	<input type="checkbox"/>	<input type="checkbox"/>	<input type="checkbox"/>		<input type="checkbox"/>	<input type="checkbox"/>	33.50#	N/A	956	984	977	965	1016	1039	1061
	Uph Seat/Back, LH	LL234L	<input type="checkbox"/>	<input type="checkbox"/>	<input type="checkbox"/>		<input type="checkbox"/>	<input type="checkbox"/>	33.50#	N/A	956	984	977	965	1016	1039	1061
LL21 LL22 LL23																	

A **B** **C** **D** **E** **F** **G**

HOW TO ORDER

- Indicate the following information on order form:
1. Quantity of each item.
 2. Model number, including options. See "How To Build a Model Number".
 3. Any special service required.

Note:

- The indicates that a choice is required.
- The absence of the indicates that no choice is required.
- Alpha-numeric characters in place of indicate that no other alternatives are available.

HOW TO BUILD A MODEL NUMBER

- A** Select basic model.
- B** Select shell color. Refer to the **Product Color Options** page in this price list.
- C** Select frame/armrest color. Refer to the **Product Color Options** page in this price list.
- D** Select caster color.
 - UCBL** - Dual surface casters, Black
 - UCCO** - Dual surface casters, Cottonwood; add \$29
 - UCWG** - Dual surface casters, Warm Grey ; add \$29
- E** Select glide option.
 - GFT** - Felt glides
 - GPL** - Plastic glides
 - GSL** - Steel glides
- F** Select tablet arm color.

Refer to the **Product Color Options** page in this price list.

G Select upholstery grade/color. Refer to ki.com/fabrics

UPHOLSTERY INFORMATION

C.O.M. Upholstery
C.O.M. requirement for 10 chairs or less with upholstered seat is 3/4 yard per chair of 54" wide nondirectional fabric. For orders of 11 or more with upholstered seat and for complete information on ordering C.O.M. see "Ordering Customer's Own Material (C.O.M) Upholstery" section.



SPECIAL SERVICES

Special Carton Marking
With specially marked information N/C

Shipping
Ships **assembled, FOB Green Bay, WI 54302, freight prepaid.** Freight class 125.

Specifications and prices are subject to change without prior notice.



MODEL	Features	MODEL NUMBER					Approx. Packaged Weight	Delivered Pricing	Delivered Pricing Fabric Grade 1 & C.O.M.	Delivered Pricing Fabric Grade 2	Delivered Pricing Fabric Grade 3 & Group 2V Vinyl	Delivered Pricing Pallas Fabric Group P0	Delivered Pricing Pallas Fabric Group P1	Delivered Pricing Pallas Fabric Group P2	Delivered Pricing Pallas Fabric Group P3
		Basic Model	Shell Color	Frame/Armrest Finish*	Caster Color	Upholstery Color									
 <p>Four-Leg Nesting Armless Chair with Casters</p> <ul style="list-style-type: none"> • One-piece shell • Passive Flex • Expansive color options • Large family • 400 pound approved • Non-stacking 	Poly Seat/Back	LLA100	<input type="checkbox"/>	<input type="checkbox"/>	<input type="checkbox"/>	19.50#	\$ 587								
	Uph Seat/Poly Back	LLA200	<input type="checkbox"/>	<input type="checkbox"/>	<input type="checkbox"/>	<input type="checkbox"/>	22.00#	N/A	801	809	823	811	862	884	907
	Uph Seat/Back	LLA300	<input type="checkbox"/>	<input type="checkbox"/>	<input type="checkbox"/>	<input type="checkbox"/>	21.50#	N/A	875	882	897	885	936	957	981
LLA1															
LLA2															
LLA3															
 <p>Four-Leg Nesting Arm Chair with Casters</p> <ul style="list-style-type: none"> • One-piece shell • Passive Flex • Expansive color options • Large family • 400 pound approved • Non-stacking 	Poly Seat/Back	LLA111	<input type="checkbox"/>	<input type="checkbox"/>	<input type="checkbox"/>	21.50#	\$ 666								
	Uph Seat/Poly Back	LLA211	<input type="checkbox"/>	<input type="checkbox"/>	<input type="checkbox"/>	<input type="checkbox"/>	24.00#	N/A	880	888	903	890	942	963	986
	Uph Seat/Back	LLA311	<input type="checkbox"/>	<input type="checkbox"/>	<input type="checkbox"/>	<input type="checkbox"/>	21.50#	N/A	954	962	976	964	1015	1037	1060
LLA1															
LLA2															
LLA3															

A **B** **C** **D** **E**

HOW TO ORDER

- Indicate the following information on order form:
1. Quantity of each item.
 2. Model number, including options. See "How To Build a Model Number".
 3. Any special service required.

Note:

- The indicates that a choice is required.
- The absence of the indicates that no choice is required.
- Alpha-numeric characters in place of indicate that no other alternatives are available.

HOW TO BUILD A MODEL NUMBER

- A** Select basic model.
- B** Select shell color. Refer to the **Product Color Options** page in this price list.
- C** Select frame/armrest color. Refer to the **Product Color Options** page in this price list. *See NOTE.
- D** Select caster color.
 - UCBL** - Dual surface casters, Black
 - UCCO** - Dual surface casters, Cottonwood; add \$29
 - UCWG** - Dual surface casters, Warm Grey ; add \$29
- E** Select upholstery grade/color. Refer to ki.com/fabrics

UPHOLSTERY INFORMATION

C.O.M. Upholstery
C.O.M. requirement for 10 chairs or less with upholstered seat is 3/4 yard per chair of 54" wide nondirectional fabric. For orders of 11 or more with upholstered seat and for complete information on ordering C.O.M. see "Ordering Customer's Own Material (C.O.M) Upholstery" section.



SPECIAL SERVICES

Special Carton Marking
With specially marked information N/C

Shipping
Ships **assembled, FOB Green Bay, WI 54302, freight prepaid.** Freight class 125.

Specifications and prices are subject to change without prior notice.



MODEL	Features	MODEL NUMBER					Approx. Packaged Weight	Delivered Pricing	Delivered Pricing Fabric Grade 1 & C.O.M.	Delivered Pricing Fabric Grade 2	Delivered Pricing Fabric Grade 3 & Group 2V Vinyl	Delivered Pricing Pallas Fabric Group P0	Delivered Pricing Pallas Fabric Group P1	Delivered Pricing Pallas Fabric Group P2	Delivered Pricing Pallas Fabric Group P3
		Basic Model	Shell Color	Frame/Armrest Finish*	Glide Option	Upholstery Color									
 <p>Sled Base Armless Chair</p> <ul style="list-style-type: none"> • One-piece shell • Passive Flex • Expansive color options • Large family • 400 pound approved • Stacking 	Poly Seat/Back	LL3100	<input type="checkbox"/>	<input type="checkbox"/>	<input type="checkbox"/>		24.30#	\$ 312							
	Uph Seat/Poly Back	LL3200	<input type="checkbox"/>	<input type="checkbox"/>	<input type="checkbox"/>	<input type="checkbox"/>	26.30#	N/A	527	533	548	536	587	609	631
	Uph Seat/Back	LL3300	<input type="checkbox"/>	<input type="checkbox"/>	<input type="checkbox"/>	<input type="checkbox"/>	24.30#	N/A	601	607	622	610	661	683	705
 <p>Sled Base Arm Chair</p> <ul style="list-style-type: none"> • One-piece shell • Passive Flex • Expansive color options • Large family • 400 pound approved • Stacking • Armrest matches frame finish except for chrome, metallic or hammertone, then the arm matches poly pick. 	Poly Seat/Back	LL3111	<input type="checkbox"/>	<input type="checkbox"/>	<input type="checkbox"/>		27.00#	\$ 395							
	Uph Seat/Poly Back	LL3211	<input type="checkbox"/>	<input type="checkbox"/>	<input type="checkbox"/>	<input type="checkbox"/>	29.00#	N/A	610	617	631	619	670	693	715
	Uph Seat/Back	LL3311	<input type="checkbox"/>	<input type="checkbox"/>	<input type="checkbox"/>	<input type="checkbox"/>	26.30#	N/A	684	690	705	693	744	766	789
			A	B	C	D	E								

LL31
LL32
LL33

LL31
LL32
LL33

HOW TO ORDER

- Indicate the following information on order form:
1. Quantity of each item.
 2. Model number, including options. See "How To Build a Model Number".
 3. Any special service required.

Note:

- The indicates that a choice is required.
- The absence of the indicates that no choice is required.
- Alpha-numeric characters in place of indicate that no other alternatives are available.

HOW TO BUILD A MODEL NUMBER

- A** Select basic model.
- B** Select shell color. Refer to the **Product Color Options** page in this price list.
- C** Select frame/armrest color. Refer to the **Product Color Options** page in this price list. *See NOTE.
- D** Select glide option.

GFT	- Felt glides
GNG	- No glides
GNS	- Non-skid glides
GPL	- Plastic glides
GSL	- Steel glides
- E** Select upholstery grade/color. Refer to ki.com/fabrics

NOTE

*Armrest matches frame finish except for chrome, metallic or hammertone, then arm matches poly pick.

UPHOLSTERY INFORMATION

C.O.M. Upholstery
C.O.M. requirement for 10 chairs or less with upholstered seat is 3/4 yard per chair of 54" wide nondirectional fabric. For orders of 11 or more with upholstered seat and for complete information on ordering C.O.M. see "Ordering Customer's Own Material (C.O.M) Upholstery" section.

SPECIAL SERVICES



Special Carton Marking

With specially marked information N/C

Shipping
Ships **assembled, FOB Green Bay, WI 54302, freight prepaid.** Freight class 125.

Specifications and prices are subject to change without prior notice.



MODEL	Features	MODEL NUMBER					Approx. Packaged Weight	Delivered Pricing	Delivered Pricing Fabric Grade 1 & C.O.M.	Delivered Pricing Fabric Grade 2	Delivered Pricing Fabric Grade 3 & Group 2V Vinyl	Delivered Pricing Pallas Fabric Group P0	Delivered Pricing Pallas Fabric Group P1	Delivered Pricing Pallas Fabric Group P2	Delivered Pricing Pallas Fabric Group P3
		Basic Model	Shell Color	Frame/Armrest Finish*	Glide Option	Upholstery Color									
 <p>Four-Leg Armless Cafe Stool, 24" High</p> <ul style="list-style-type: none"> • One-piece shell • Passive Flex • Expansive color options • Large family • 400 pound approved • Non-stacking 	Poly Seat/Back	LL4100H24	<input type="checkbox"/>	<input type="checkbox"/>	<input type="checkbox"/>	30.00#	\$ 410								
	Uph Seat/Poly Back	LL4200H24	<input type="checkbox"/>	<input type="checkbox"/>	<input type="checkbox"/>	32.00#	N/A	624	630	645	632	684	706	728	
	Uph Seat/Back	LL4300H24	<input type="checkbox"/>	<input type="checkbox"/>	<input type="checkbox"/>	32.00#	N/A	698	704	719	706	758	780	802	
LL41 LL42 LL43															
 <p>Four-Leg Armless Cafe Stool, 30" High</p> <ul style="list-style-type: none"> • One-piece shell • Passive Flex • Expansive color options • Large family • 400 pound approved • Non-stacking 	Poly Seat/Back	LL4100H30	<input type="checkbox"/>	<input type="checkbox"/>	<input type="checkbox"/>	31.20#	\$ 410								
	Uph Seat/Poly Back	LL4200H30	<input type="checkbox"/>	<input type="checkbox"/>	<input type="checkbox"/>	33.20#	N/A	624	630	645	632	684	706	728	
	Uph Seat/Back	LL4300H30	<input type="checkbox"/>	<input type="checkbox"/>	<input type="checkbox"/>	31.20#	N/A	698	704	719	706	758	780	802	
LL41 LL42 LL43															
			A	B	C	D	E								

HOW TO ORDER

- Indicate the following information on order form:
1. Quantity of each item.
 2. Model number, including options. See "How To Build a Model Number".
 3. Any special service required.

Note: • The indicates that a choice is required.
 • The absence of the indicates that no choice is required.
 • Alpha-numeric characters in place of indicate that no other alternatives are available.

HOW TO BUILD A MODEL NUMBER

- A** Select basic model.
- B** Select shell color. Refer to the **Product Color Options** page in this price list.
- C** Select frame/armrest color. Refer to the **Product Color Options** page in this price list.
- D** Select glide option.

GFT	- Felt glides
GPL	- Plastic glides
GSL	- Steel glides
- E** Select upholstery grade/color. Refer to ki.com/fabrics

UPHOLSTERY INFORMATION

C.O.M. Upholstery
 C.O.M. requirement for 10 chairs or less with upholstered seat is 3/4 yard per chair of 54" wide nondirectional fabric. For orders of 11 or more with upholstered seat and for complete information on ordering C.O.M. see "Ordering Customer's Own Material (C.O.M) Upholstery" section.

SPECIAL SERVICES




Special Carton Marking

With specially marked information N/C

Shipping
 Ships **assembled, FOB Green Bay, WI 54302, freight prepaid.** Freight class 125.

Specifications and prices are subject to change without prior notice.



MODEL	Features	MODEL NUMBER					Approx. Packaged Weight	Delivered Pricing	Delivered Pricing Fabric Grade 1 & C.O.M.	Delivered Pricing Fabric Grade 2	Delivered Pricing Fabric Grade 3 & Group 2V Vinyl	Delivered Pricing Pallas Fabric Group P0	Delivered Pricing Pallas Fabric Group P1	Delivered Pricing Pallas Fabric Group P2	Delivered Pricing Pallas Fabric Group P3
		Basic Model	Shell Color	Frame/Armrest Finish*	Glide Option	Upholstery Color									
 <p>High Density Armless Chair</p> <ul style="list-style-type: none"> • One-piece shell • Passive Flex • Expansive color options • Large family • 400 pound approved • Stacking 	Poly Seat/Back	LL7100	<input type="checkbox"/>	<input type="checkbox"/>	<input type="checkbox"/>	20.00#	\$ 270								
	Uph Seat/Poly Back	LL7200	<input type="checkbox"/>	<input type="checkbox"/>	<input type="checkbox"/>	<input type="checkbox"/>	22.00#	N/A	485	491	507	494	545	567	589
	Uph Seat/Back	LL7300	<input type="checkbox"/>	<input type="checkbox"/>	<input type="checkbox"/>	<input type="checkbox"/>	20.00#	N/A	559	565	581	568	619	641	663
LL71 LL72 LL73															
 <p>High Density Armless Stool, 24" High</p> <ul style="list-style-type: none"> • One-piece shell • Passive Flex • Expansive color options • Large family • 400 pound approved • Stacking 	Poly Seat/Back	LLS100H24	<input type="checkbox"/>	<input type="checkbox"/>	<input type="checkbox"/>	23.10#	\$ 402								
	Uph Seat/Poly Back	LLS200H24	<input type="checkbox"/>	<input type="checkbox"/>	<input type="checkbox"/>	<input type="checkbox"/>	25.10#	N/A	618	625	640	627	679	700	723
	Uph Seat/Back	LLS300H24	<input type="checkbox"/>	<input type="checkbox"/>	<input type="checkbox"/>	<input type="checkbox"/>	23.10#	N/A	692	699	714	701	753	774	797
LLS1 LLS2 LLS3															
 <p>Hig Density Armless Stool, 30" High</p> <ul style="list-style-type: none"> • One-piece shell • Passive Flex • Expansive color options • Large family • 400 pound approved • Stacking 	Poly Seat/Back	LLS100H30	<input type="checkbox"/>	<input type="checkbox"/>	<input type="checkbox"/>	25.10#	\$ 402								
	Uph Seat/Poly Back	LLS200H30	<input type="checkbox"/>	<input type="checkbox"/>	<input type="checkbox"/>	<input type="checkbox"/>	27.10#	N/A	618	625	640	627	679	700	723
	Uph Seat/Back	LLS300H30	<input type="checkbox"/>	<input type="checkbox"/>	<input type="checkbox"/>	<input type="checkbox"/>	25.10#	N/A	692	699	714	701	753	774	797
LLS1 LLS2 LLS3															

A **B** **C** **D** **E**

HOW TO ORDER

- Indicate the following information on order form:
1. Quantity of each item.
 2. Model number, including options. See "How To Build a Model Number".
 3. Any special service required.

Note: • The indicates that a choice is required.
 • The absence of the indicates that no choice is required.
 • Alpha-numeric characters in place of indicate that no other alternatives are available.

HOW TO BUILD A MODEL NUMBER

- A** Select basic model.
- B** Select shell color.
Refer to the **Product Color Options** page in this price list.
- C** Select frame/armrest color.
Refer to the **Product Color Options** page in this price list.
- D** Select glide option.

GFT	- Felt glides
G	- Ganging polycarbonate glides
GGS	- Ganging steel glides
GNG	- No glides
GNS	- Non-skid glides
GPL	- Plastic glides
GSL	- Steel glides
- E** Select upholstery grade/color.
Refer to ki.com/fabrics

UPHOLSTERY INFORMATION

C.O.M. Upholstery
 C.O.M. requirement for 10 chairs or less with upholstered seat is 3/4 yard per chair of 54" wide nondirectional fabric. For orders of 11 or more with upholstered seat and for complete information on ordering C.O.M. see "Ordering Customer's Own Material (C.O.M) Upholstery" section.

SPECIAL SERVICES

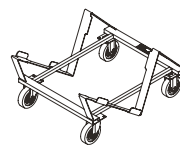
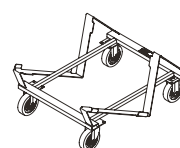
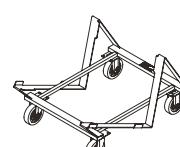
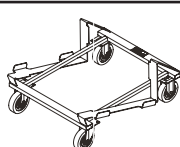
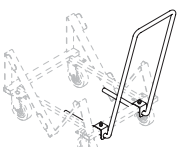
Special Carton Marking

With specially marked information N/C

Shipping
 Ships assembled, FOB Green Bay, WI 54302, freight prepaid. Freight class 125.

Specifications and prices are subject to change without prior notice.



MODEL	MODEL NUMBER		Delivered Pricing
	Basic Model	Approx. Packaged Weight	
 LLAD1 Transport Dolly - Four-Leg with Glides and Sled Base Chairs, All-Poly • Accommodates up to 15 all-poly chairs • Easy maneuverability with 5" casters; two fixed, two swivel • Black powder-coated finish • Four-leg chairs with casters do not stack on dolly	LLDTF.BL	29.00#	\$ 602
 LLAD1 Transport Dolly - HD Chairs, All-Poly • Accommodates up to 25 all-poly chairs • Easy maneuverability with 5" casters; two fixed, two swivel • Welded tubular steel with black powder-coated finish	LLDHD.BL	27.50#	\$ 602
 LLAD1 Transport Dolly - HD Stools • Accommodates up to 15 all-poly or 8 upholstered stools • Easy maneuverability with 5" casters; two fixed, two swivel • Welded tubular steel with black powder-coated finish	LLDHDS.BL	29.00#	\$ 602
 LLAD1 Transport Dolly - Chairs with Upholstery • Accommodates up to 10 High-Density chairs or up to 8 Four-leg with Glides or Sled Base chairs • Easy maneuverability with 5" casters; two fixed, two swivel • Welded tubular steel with black powder-coated finish • Four-leg chairs with casters do not stack on dolly.	LLDCU.BL	27.50#	\$ 602
 AC800 Universal Dolly Handle • Field installable • Provides convenient handle for relocating dolly when empty or loaded • Overall dolly height with handle is 37"	UDH.BL	9.00#	\$ 210



HOW TO ORDER

- Indicate the following information on order form:
- Quantity of each item.
 - Model number, including options. See "How To Build a Model Number".
 - Any special service required.

Note: • The indicates that a choice is required.
 • The absence of the indicates that no choice is required.
 • Alpha-numeric characters in place of indicate that no other alternatives are available.

HOW TO BUILD A MODEL NUMBER

- A** Select basic model.

SPECIAL SERVICES

Special Carton Marking

With specially marked information N/C

Shipping

Ships **assembled, FOB Green Bay, WI 54302, freight prepaid.** Freight class 125.

Specifications and prices are subject to change without prior notice.



General Dimensions					
Seat width	18-1/4"	18-1/4"	18-1/4"	18-1/4"	18-1/4"
Seat depth	17-1/2"	17-1/2"	17-1/2"	17-1/2"	17-1/2"
Seat height (upholstered add 3/4")	16-1/2" - 21-1/2"	16-1/2" - 21-1/2"	16-1/2" - 21-1/2"	22" - 32"	22" - 32"
Clearance inside arms	20"				20"
Overall Dimensions					
Width	28"	28"	28"	28"	28"
Depth	28"	28"	28"	28"	28"
Height	32-1/4" - 37-1/4"	32-1/4" - 37-1/4"	32-1/4" - 37-1/4"	37-3/4" - 47-3/4"	37-3/4" - 47-3/4"
Arms/tablet surface to floor	24-1/2" - 29-1/2"		28" - 33"	30" - 40"	
Footring to floor				12-1/2" - 17-1/2"	12-1/2" - 17-1/2"

Under-Seat Structure

Support structure is a die-drawn 12-gauge steel plate. Structure is finished with baked-on electrostatically-applied epoxy powder-coat paint.

Armrests (optional)

When equipped with armrests, a support structure of 7/8" O.D. by 13-gauge tubular steel is welded directly to the seat structure plate. The armrests are injection-molded glass-reinforced nylon with an internal structure of 3/8" diameter steel wire and are press-fit into the support tube. Armrest color matches the structure's finish, (except metallic finishes, which match the shell poly color).

Base

The base is a 27" injection-molded glass-reinforced nylon 5-blade base. A single paddle under the seat operates the height-adjusting pneumatic cylinder. An optional die-cast aluminum 5-blade base is also available on both chairs and stools. The aluminum base is available in polished aluminum or selected paint colors. Finish is baked-on electrostatically-applied epoxy powder-coat paint and may be specified in 30-degree gloss or textured (matte) finish. Cylinders are available in Black, Warm Grey, or Cottonwood. Nominal seat height range is 16 1/2" to 21 1/2" for chairs, and 22" to 32" for stools.

Casters

Task chairs and stools are equipped with dual surface casters, suitable for carpet or hard floors. Casters are 60 mm diameter, double-wheel, made of high-impact thermoplastic with softer elastomer over-molded on the wheel surfaces. Casters are available in Black, Warm Grey, or Cottonwood. (Cottonwood casters have Warm Grey elastomer on the surface that contacts the floor. All others are monochrome.)

Foot Ring

Task stools are equipped with a twist-to-lock, adjustable-height, 20" diameter chrome-plated steel foot ring with black, die-cast aluminum hub and spokes.

INFORMATION

C.O.M. Testing and Production Requirements

Not all materials are suitable for upholstering this product. A 1 yd. x 54" sample must be submitted and approved prior to acceptance of an order. If the fabric is directional in pattern or weave, the direction must be indicated on the submitted sample, and additional yardage may be requested.

Test samples must be sent to:

KI
Attn: C.O.M. Specialist
1687 Westminster Drive - Gate 3
Green Bay, WI 54302

Fabric Disclaimer

Fabric will be applied as swatched by the fabric manufacturer. Fabric that is required to be applied differently than is swatched will need a Modified Product Request written specifying the direction the fabric is to be applied.

KI Color Match Program

KI offers the additional option of color matching paint, polypropylene, or wood stain through Product Modification Requests. Contact Customer Service for details.

Whatever you imagine, whatever you require, KI's Color Match program lets you pick your color!

Color Match Process - Poly Seating Information can be found here.

Stacking Vinyl, Polyurethane, and Imitation Leather Upholstered Chairs

If stacking frequently and for long periods of time, it is recommended that upholstery other than vinyl, polyurethane or imitation leather be used to avoid impressions in the seat cushion. KI does not warrant the effects of stacking on stock or COM vinyl, polyurethane or imitation leather upholstery.

INFORMATION

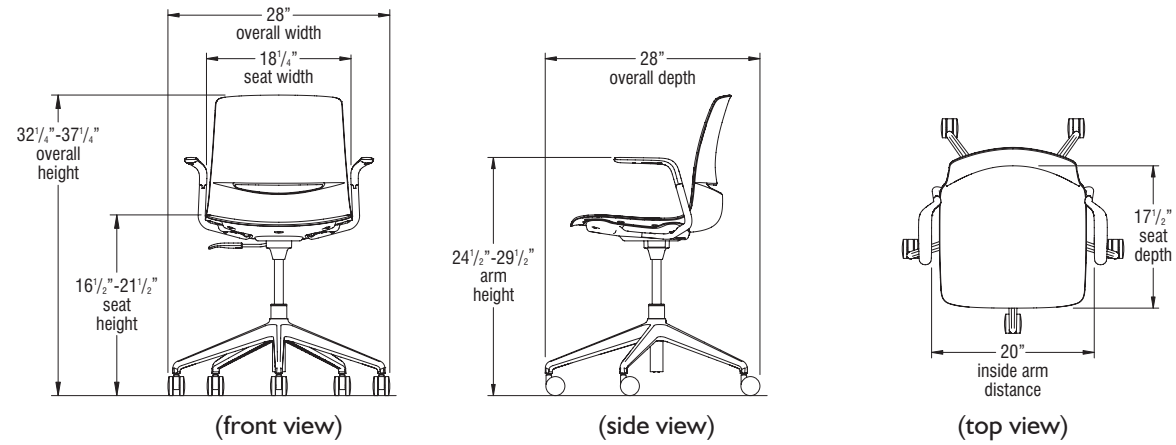
Warranty

Refer to KI Terms & Conditions document or visit ki.com

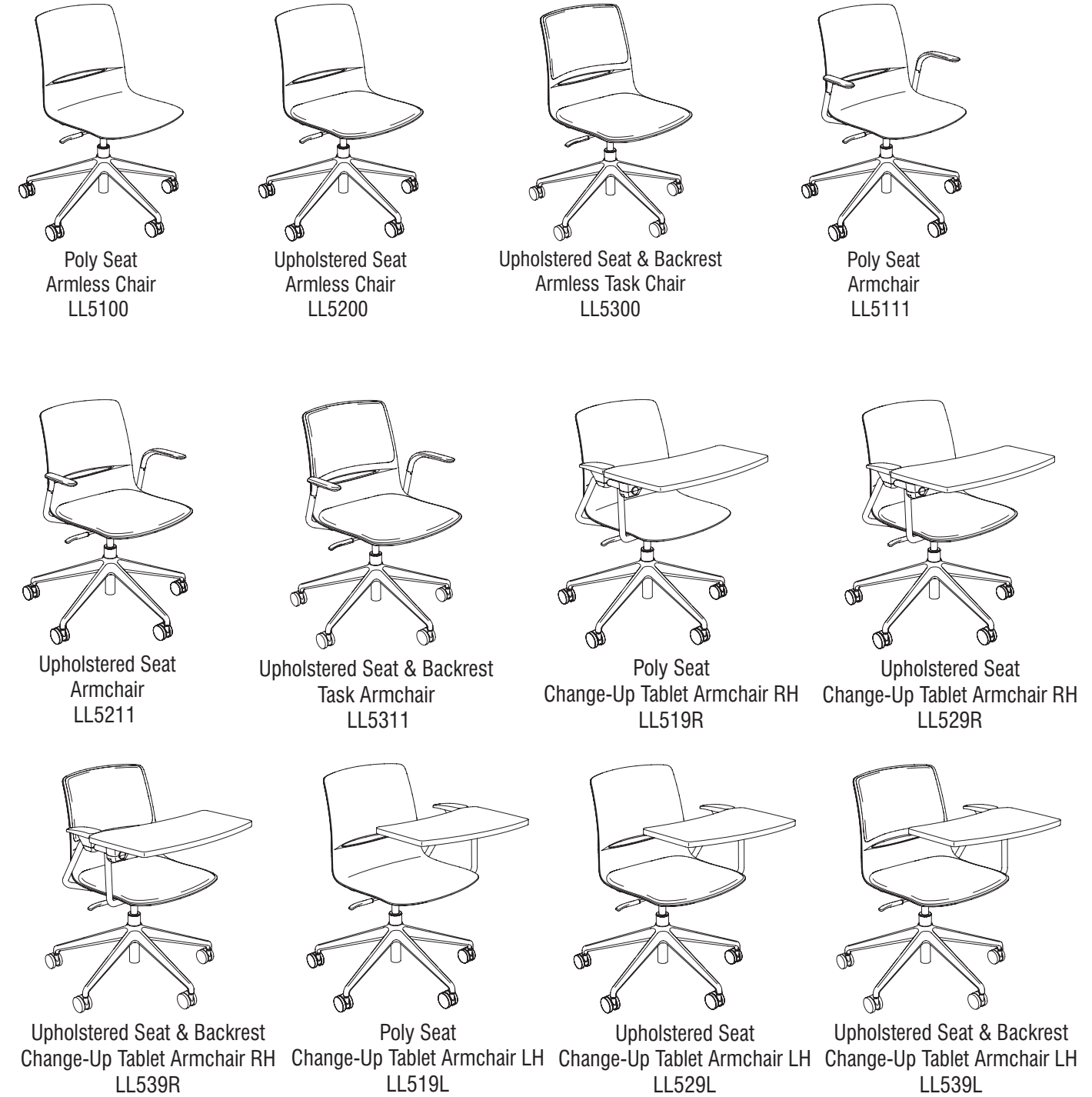


DIMENSIONS

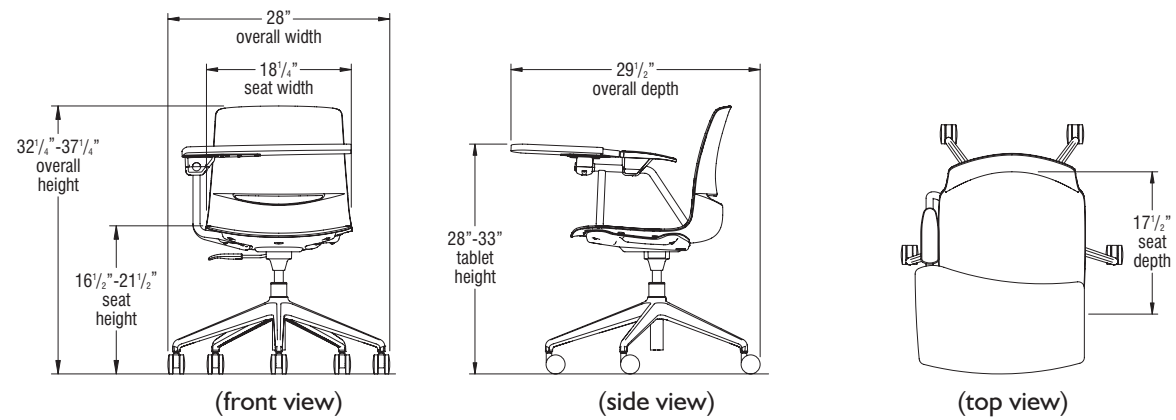
LimeLite Task Chair - Armchair - (model LL5111 shown)



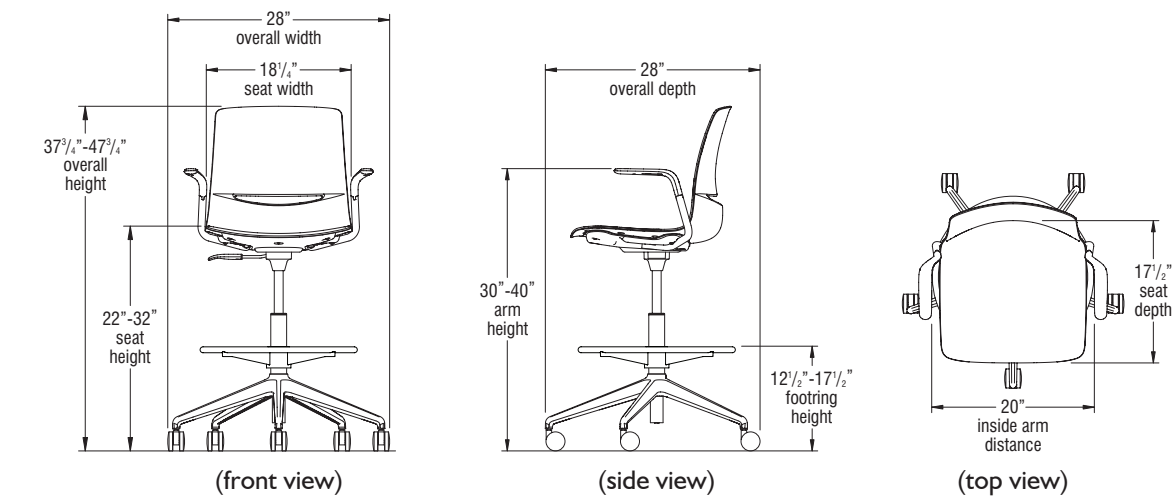
LimeLite Task Chair



LimeLite Task Chair - ChangeUp Tablet Armchair - (model LL519R shown)



LimeLite Task Stool - Armstool - (model LL6111 shown)





LimeLite Task Stool



Poly Seat
Armless Stool
LL6100



Upholstered Seat
Armless Stool
LL6200



Upholstered Seat & Backrest
Armless Stool
LL6300



Poly Seat
Armstool
LL6111



Upholstered Seat
Armstool
LL6211



Upholstered Seat & Backrest
Armstool
LL6311

ChangeUp™ Tablet Arm

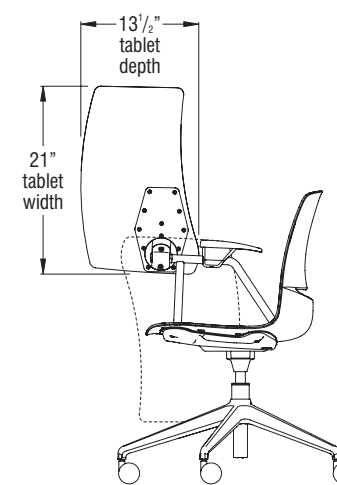
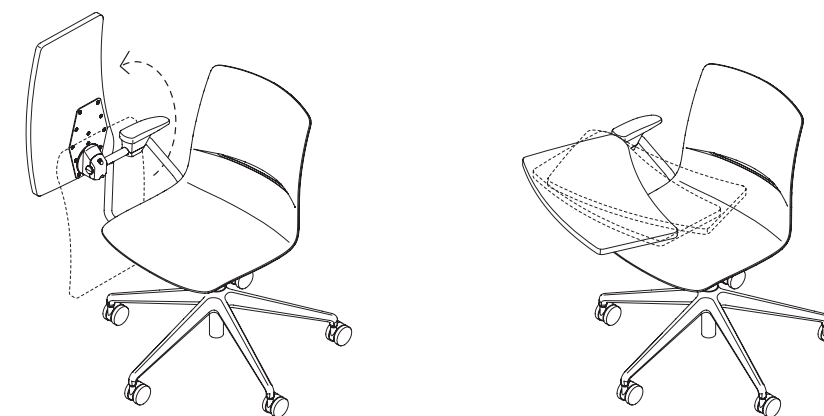
ChangeUp tablet support is integral to the chair frame and consists of a $\frac{7}{8}$ " diameter solid steel rod welded to the front and rear support tubes. A three-piece molded plastic armrest is included and attached to the chair frame using a #10 x $2\frac{1}{2}$ " Phillips pan head tapping screw.

The tablet mechanism consists of a die-cast aluminum housing, upper and lower plastic bearings, and 11-gauge steel clamp and tablet board support plates. The tablet mechanism is clamped onto the chair frame over two plastic bushing halves and a $\frac{5}{16}$ " diameter by $1\frac{3}{4}$ " hardened steel pin with a die-cast aluminum cap secured with two $\frac{1}{4}$ -20 x $\frac{3}{4}$ " button socket head cap screws. The pin creates a solid 90° up/down pivot stop and the bushings provide a smooth, quiet operation. In the use position, the tablet mechanism rotates outward from the chair back an additional 20° and permits approximately $3\frac{1}{2}$ " of adjustment for ingress/egress without stowing the tablet.

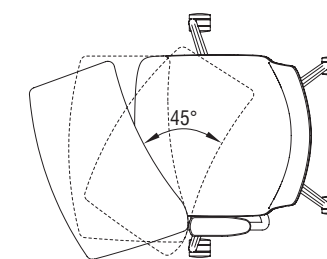
The tablet worksurface is 21" wide by $13\frac{1}{2}$ " deep (235 square inches) is secured to the tablet board support plate with twelve #12 x $\frac{5}{8}$ " Phillips flat head tapping screws. The tablet board is made of 18 mm Baltic Birch plywood with .040" high-pressure laminate top surface and .02" thick phenolic backer surface for an overall board thickness of approximately $\frac{3}{4}$ ". Edges are lacquered with a clear finish and sealed. The factory installed tablet assembly is not field installable and may not be removed.

DIMENSIONS

ChangeUp Tablet Arm



(side view)



(top view)

**Task Seating Frame Color**

Black	BL	Light Tone	PLG	High Rise	LHE
Blue Grey	GR	Mardi Gras	PMG	Hollyberry	LHY
Bronze Metallic	ZM	Misty Brown	PMY	Island	LID
Cayenne	CY	Nemo	PNE	Italian Silver Ash	LIT
Champagne Metallic	CM	Nordic	PND	Kensington Maple	LKM
Cool Grey	CG	Poppy Red	PPR	Lapis Blue	LLB
Cottonwood	CO	Purple Haze	PPH	Monticello Maple	LMT
Earthen Clay	EY	Rainforest	PRQ	North Sea	LNA
Espresso Metallic	EX	Raw Jasper	PRJ	Ocean	LON
Everglade Shade	EV	Rubber Ducky	PRK	Pinnacle Walnut	LPW
Flannel	FN	Sand	PSA	River Cherry	LRY
Glitz Metallic	GZ	Sky Blue	PSK	Shadow Zephyr	LSR
Hazy Jade	HJ	Surf's Up	PSP	Sterling Ash	LAZ
Honey Bee	HY	Tarragon	PTQ	Titanium Evolv	LTV
Light Tone	LG	Twilight Shadow	PTI	White Nebula	LWL
Mardi Gras	MG	Ultra Blue	PUB	White Sand	LWN
Misty Brown	MY	Warm Grey	PWG	Windsor Mahogany	LWY
Nordic	ND	Zesty Lime	PZL		
Poppy Red	PR				
Purple Haze	PH				
Rainforest	RQ				
Raw Jasper	RJ				
Rubber Ducky	RK				
Sand	SA				
Sky Blue	SK				
Starlight Silver Metallic	SX				
Surf's Up	SP				
Tarragon	TQ				
Twilight Shadow	TI				
Ultra Blue	UB				
Warm Grey	WG				
Black Textured (Matte)	BLT				
Cool Grey Textured (Matte)	CGT				
Cottonwood Textured (Matte)	COT				
Flannel Textured (Matte)	FNT				
Warm Grey Textured (Matte)	WGT				

Nemo and Zesty Lime are only available as standard color options on armless models. If required on an arm model, a PRM can be submitted for approval, provided the client has visually approved the color variation.

Dual Surface Caster Color

Dual surface casters, Black	UCBL
Dual surface casters, Cottonwood	UCCO
Dual surface casters, Warm Grey	UCWG

Five-Star Task Base Color

Black plastic	BBL
Black Textured (Matte)	BBLT
Cottonwood	BCO
Cottonwood Textured (Matte)	BCOT
Polished Aluminum	BPA
Warm Grey	BWG
Warm Grey Textured (Matte)	BWGT

When base is Black, Cottonwood, or Warm Grey, casters/cylinders match. When base is Polished Aluminum, a caster/cylinder color must be selected.

Tablet Arm Color - Laminate

Beigewood	LBZ
Belair	LBQ
Blitmore Cherry	LBT
Black	LBK
Brighton Walnut	LBW
Castle Oak	LCO
Cherry Storm	LCX
Classic Linen	LCI
Cocobala	LCC
Crisp Linen	LRI
Designer White	LDR
Dove Grey	LDG
Florence Walnut	LFC
Friston Ash	LFH
Frosty White	LFW
Graphite Nebula	LGN
Grey	LGE

Nemo and Zesty Lime are only available as standard color options on armless models. If required on an arm model, a PRM can be submitted for approval, provided the client has visually approved the color variation.

Armrest/Height Adjust Lever color applies to height adjust lever and seat shroud. If metallic or hammertone colors are selected, then arm matches poly pick.

NOTE: Chrome is NOT available on Task Seating

Poly Color - Shell

Black	PBL
Blue Grey	PGR
Cayenne	PCY
Cool Grey	PCG
Cottonwood	PCO
Earthen Clay	PEY
Everglade Shade	PEV
Flannel	PFN
Hazy Jade	PHJ
Honey Bee	PHY



Finish Cards

View color swatches for items listed within this document.

Paints**Plastics/Poly****Wood/Veneer****Laminates****Molded Edges****Edge Styles****Hard Plastics****Glass**

Certain options referenced may not be available on GSA Schedule.



MODEL	Features	MODEL NUMBER						Approx. Packaged Weight	Delivered Pricing	Delivered Pricing Fabric Grade 1 & C.O.M.	Delivered Pricing Fabric Grade 2	Delivered Pricing Fabric Grade 3 & Group 2V Vinyl	Delivered Pricing Pallas Fabric Group P0	Delivered Pricing Pallas Fabric Group P1	Delivered Pricing Pallas Fabric Group P2	Delivered Pricing Pallas Fabric Group P3	
		Basic Model	Shell Color	*Armrest/Height Adj Lever Color	Base Color	Caster/Cylinder Color	Upholstery Color										
 LL51 LL52 LL53	Armless Task Chair	Poly Seat/Back	LL5100	<input type="checkbox"/> <input type="checkbox"/> <input type="checkbox"/>	<input type="checkbox"/>	<input type="checkbox"/> <input type="checkbox"/> <input type="checkbox"/>	<input type="checkbox"/> <input type="checkbox"/> <input type="checkbox"/> <input type="checkbox"/>										
	<ul style="list-style-type: none"> One-piece shell Expansive color options Large family Dual surface caster 400 pound approved C = Poly Seat and/or Back Color D = Height Adj. Lever Color applies to height adjust lever and seat shroud color. E = Base Color F = Casters/Cylinder Color When base is Black, Cottonwood or Warm Grey, casters/cylinders match. When base is Polished Aluminum, a caster/cylinder color must be selected. 	Uph Seat/Poly Back	LL5200	<input type="checkbox"/> <input type="checkbox"/> <input type="checkbox"/>	<input type="checkbox"/>	<input type="checkbox"/> <input type="checkbox"/> <input type="checkbox"/>	<input type="checkbox"/> <input type="checkbox"/> <input type="checkbox"/> <input type="checkbox"/>	<input type="checkbox"/> <input type="checkbox"/> <input type="checkbox"/> <input type="checkbox"/>	31.70#	\$ 465							
		Uph Seat/Back	LL5300	<input type="checkbox"/> <input type="checkbox"/> <input type="checkbox"/>	<input type="checkbox"/>	<input type="checkbox"/> <input type="checkbox"/> <input type="checkbox"/>	<input type="checkbox"/> <input type="checkbox"/> <input type="checkbox"/> <input type="checkbox"/>	<input type="checkbox"/> <input type="checkbox"/> <input type="checkbox"/> <input type="checkbox"/>	33.70#	N/A	679	685	700	687	739	760	783
 LL51 LL52 LL53	Task Arm Chair	Poly Seat/Back	LL5111	<input type="checkbox"/> <input type="checkbox"/> <input type="checkbox"/>	<input type="checkbox"/>	<input type="checkbox"/> <input type="checkbox"/> <input type="checkbox"/>	<input type="checkbox"/> <input type="checkbox"/> <input type="checkbox"/> <input type="checkbox"/>										
	<ul style="list-style-type: none"> One-piece shell Expansive color options Large family Dual surface caster 400 pound approved C = Poly Seat and/or Back Color D = Armrest/Height Adj. Lever Color applies to height adjust lever and seat shroud color. E = Base Color F = Casters/Cylinder Color When base is Black, Cottonwood or Warm Grey, casters/cylinders match. When base is Polished Aluminum, a caster/cylinder color must be selected. 	Uph Seat/Poly Back	LL5211	<input type="checkbox"/> <input type="checkbox"/> <input type="checkbox"/>	<input type="checkbox"/>	<input type="checkbox"/> <input type="checkbox"/> <input type="checkbox"/>	<input type="checkbox"/> <input type="checkbox"/> <input type="checkbox"/> <input type="checkbox"/>	<input type="checkbox"/> <input type="checkbox"/> <input type="checkbox"/> <input type="checkbox"/>	35.00#	\$ 551							
		Uph Seat/Back	LL5311	<input type="checkbox"/> <input type="checkbox"/> <input type="checkbox"/>	<input type="checkbox"/>	<input type="checkbox"/> <input type="checkbox"/> <input type="checkbox"/>	<input type="checkbox"/> <input type="checkbox"/> <input type="checkbox"/> <input type="checkbox"/>	<input type="checkbox"/> <input type="checkbox"/> <input type="checkbox"/> <input type="checkbox"/>	37.00#	N/A	765	772	786	774	826	847	870
								35.00#	N/A	839	846	860	848	899	920	944	

A **B** **C** **D** **E** **F**

HOW TO ORDER

- Indicate the following information on order form:
- Quantity of each item.
 - Model number, including options. See "How to Build a Model Number".
 - Any special service required.

Note: • The indicates that a choice is required.
 • The absence of the indicates that no choice is required.
 • Alpha-numeric characters in place of indicate that no other alternatives are available.

HOW TO BUILD A MODEL NUMBER

- A** Select basic model.
- B** Select shell color. Refer to the **Product Color Options** page in this price list.
- C** Select armrest/height adjust lever color. Refer to the **Product Color Options** page in this price list. Armrest/Height Adjust Lever color applies to height adjust lever and seat shroud.
- D** Select base color.
 - BBL** - Black plastic
 - BBLT** - Black Textured (Matte); add \$102
 - BCOT** - Cottonwood Textured (Matte); add \$102
 - BWGT** - Warm Grey Textured (Matte); add \$102
 - BCO** - Cottonwood ; add \$102
 - BPA** - Polished Aluminum; add \$102
 - BWG** - Warm Grey; add \$102
 When base is Black, Cottonwood, or Warm

Grey, casters/cylinders match. When base is Polished Aluminum, a caster/cylinder color must be selected.

- E** Select caster/cylinder color for Polished Aluminum Base.
 - UCBL** - Dual surface casters, Black
 - UCCO** - Dual surface casters, Cottonwood
 - UCWG** - Dual surface casters, Warm Grey

- F** Select upholstery grade/color. Refer to ki.com/fabrics

UPHOLSTERY INFORMATION

C.O.M. Upholstery
 C.O.M. requirement for 10 chairs or less with upholstered seat is 3/4 yard per chair of 54" wide nondirectional fabric. For orders of 11 or more with upholstered seat and for complete information on ordering C.O.M. see "Ordering Customer's Own Material (C.O.M) Upholstery" section.



SPECIAL SERVICES

Special Carton Marking
 With specially marked information N/C

Shipping
 Ships **knocked down, FOB Green Bay, WI 54302, freight prepaid.** Freight class 100.

Specifications and prices are subject to change without prior notice.



MODEL	Features	MODEL NUMBER						Approx. Packaged Weight	Delivered Pricing	Delivered Pricing Fabric Grade 1 & C.O.M.	Delivered Pricing Fabric Grade 2	Delivered Pricing Fabric Grade 3 & Group 2V Vinyl	Delivered Pricing Pallas Fabric Group P0	Delivered Pricing Pallas Fabric Group P1	Delivered Pricing Pallas Fabric Group P2	Delivered Pricing Pallas Fabric Group P3	
		Basic Model	Shell Color	*Armrest/Height Adj Lever Color	Base Color	Caster/Cylinder Color	Upholstery Color										
 LL61 LL62 LL63	Armless Task Stool	Poly Seat/Back	LL6100	<input type="checkbox"/> <input type="checkbox"/> <input type="checkbox"/>	<input type="checkbox"/> <input type="checkbox"/> <input type="checkbox"/>	<input type="checkbox"/> <input type="checkbox"/> <input type="checkbox"/>	<input type="checkbox"/> <input type="checkbox"/> <input type="checkbox"/>										
	<ul style="list-style-type: none"> One-piece shell Expansive color options Large family Dual surface caster 400 pound approved C = Poly Seat and/or Back Color 20" Footring has black spokes with polished top surface and chrome tube ring D = Height Adj. Lever Color applies to height adjust lever and seat shroud color E = Base color F = Casters/Cylinder Color When base is Black, Cottonwood or Warm Grey, casters/cylinders match. When base is Polished Aluminum, a caster/cylinder color must be selected. 	Uph Seat/Poly Back	LL6200	<input type="checkbox"/> <input type="checkbox"/> <input type="checkbox"/>	<input type="checkbox"/> <input type="checkbox"/> <input type="checkbox"/>	<input type="checkbox"/> <input type="checkbox"/> <input type="checkbox"/>	<input type="checkbox"/> <input type="checkbox"/> <input type="checkbox"/>	<input type="checkbox"/> <input type="checkbox"/> <input type="checkbox"/>	36.20#	\$ 596							
		Uph Seat/Back	LL6300	<input type="checkbox"/> <input type="checkbox"/> <input type="checkbox"/>	<input type="checkbox"/> <input type="checkbox"/> <input type="checkbox"/>	<input type="checkbox"/> <input type="checkbox"/> <input type="checkbox"/>	<input type="checkbox"/> <input type="checkbox"/> <input type="checkbox"/>	<input type="checkbox"/> <input type="checkbox"/> <input type="checkbox"/>	38.20#	N/A	811	817	832	820	871	893	915
 LL61 LL62 LL63	Task Arm Stool	Poly Seat/Back	LL6111	<input type="checkbox"/> <input type="checkbox"/> <input type="checkbox"/>	<input type="checkbox"/> <input type="checkbox"/> <input type="checkbox"/>	<input type="checkbox"/> <input type="checkbox"/> <input type="checkbox"/>	<input type="checkbox"/> <input type="checkbox"/> <input type="checkbox"/>										
	<ul style="list-style-type: none"> One-piece shell Expansive color options Large family Dual surface caster 400 pound approved C = Poly Seat and/or Back Color 20" Footring has black spokes with polished top surface and chrome tube ring D = Armrest/Height Adj. Lever Color applies to height adjust lever and seat shroud color E = Base color F = Casters/Cylinder Color When base is Black, Cottonwood or Warm Grey, casters/cylinders match. When base is Polished Aluminum, a caster/cylinder color must be selected. 	Uph Seat/Poly Back	LL6211	<input type="checkbox"/> <input type="checkbox"/> <input type="checkbox"/>	<input type="checkbox"/> <input type="checkbox"/> <input type="checkbox"/>	<input type="checkbox"/> <input type="checkbox"/> <input type="checkbox"/>	<input type="checkbox"/> <input type="checkbox"/> <input type="checkbox"/>	<input type="checkbox"/> <input type="checkbox"/> <input type="checkbox"/>	39.50#	\$ 680							
		Uph Seat/Back	LL6311	<input type="checkbox"/> <input type="checkbox"/> <input type="checkbox"/>	<input type="checkbox"/> <input type="checkbox"/> <input type="checkbox"/>	<input type="checkbox"/> <input type="checkbox"/> <input type="checkbox"/>	<input type="checkbox"/> <input type="checkbox"/> <input type="checkbox"/>	<input type="checkbox"/> <input type="checkbox"/> <input type="checkbox"/>	41.50#	N/A	895	901	916	904	955	977	1000

A **B** **C** **D** **E** **F**

HOW TO ORDER

- Indicate the following information on order form:
- Quantity of each item.
 - Model number, including options. See "How to Build a Model Number".
 - Any special service required.

Note: • The indicates that a choice is required.
 • The absence of the indicates that no choice is required.
 • Alpha-numeric characters in place of indicate that no other alternatives are available.

HOW TO BUILD A MODEL NUMBER

- A** Select basic model.
- B** Select shell color. Refer to the **Product Color Options** page in this price list.
- C** Select armrest/height adjust lever color. Refer to the **Product Color Options** page in this price list. Armrest/Height Adjust Lever color applies to height adjust lever and seat shroud.
- D** Select base color.
 - BBL** - Black plastic
 - BBLT** - Black Textured (Matte); add \$102
 - BCOT** - Cottonwood Textured (Matte); add \$102
 - BWGT** - Warm Grey Textured (Matte); add \$102
 - BCO** - Cottonwood ; add \$102
 - BPA** - Polished Aluminum; add \$102
 - BWG** - Warm Grey; add \$102
 When base is Black, Cottonwood, or Warm Grey, casters/cylinders match. When base is Polished Aluminum, a caster/cylinder color must be selected.
- E** Select caster/cylinder color for Polished Aluminum Base.
 - UCBL** - Dual surface casters, Black
 - UCCO** - Dual surface casters, Cottonwood
 - UCWG** - Dual surface casters, Warm Grey
- F** Select upholstery grade/color. Refer to ki.com/fabrics

UPHOLSTERY INFORMATION

C.O.M. Upholstery
 C.O.M. requirement for 10 chairs or less with upholstered seat is 3/4 yard per chair of 54" wide nondirectional fabric. For orders of 11 or more with upholstered seat and for complete information on ordering C.O.M. see "Ordering Customer's Own Material (C.O.M) Upholstery" section.

SPECIAL SERVICES

Special Carton Marking
 With specially marked information N/C

Shipping
 Ships **knocked down, FOB Green Bay, WI 54302, freight prepaid.** Freight class 100.

Specifications and prices are subject to change without prior notice.



Conference Armless Chair
with Enhanced Motion
(LLM100/LLM200)



Conference Arm Chair
with Enhanced Motion
(LLM111/LLM211)



Fixed Height Conference Armless
Chair with Enhanced Motion
(LLP100/LLP200)



Fixed Height Conference Arm
Chair with Enhanced Motion
(LLP111/LLP211)



Conference Armless Stool
with Enhanced Motion
(LLN100/LLN200)



Conference Arm Stool
with Enhanced Motion
(LLN111/LLN211)

General Dimensions						
Seat width	18-1/4"	18-1/4"	18-1/4"	18-1/4"	18-1/4"	18-1/4"
Seat depth	17-1/2"	17-1/2"	17-1/2"	17-1/2"	17-1/2"	17-1/2"
Seat height (upholstered add 3/4")	16-3/4" - 20-1/4"	16-3/4" - 20-1/4"	17-1/2"	17-1/2"	23-1/2" - 32-3/4"	23-1/2" - 32-3/4"
Clearance inside arms		19-1/2"		19-1/2"		19-1/2"
Overall Dimensions						
Width	27"	27"	27"	27"	28"	28"
Depth	27"	27"	27"	27"	28"	28"
Height (glides reduce height by 3/8")	32-1/2" - 36"	32-1/2" - 36"	33-1/4"	33-1/4"	39-1/4" - 48-1/2"	39-1/4" - 48-1/2"
Arms to floor		24-3/4"-28-1/4"		25-1/2"		31-1/2" - 40-3/4"
Footring to floor					11" - 16"	11" - 16"

Conference Seating with Enhanced Motion

Under-Seat Structure & Tilt Mechanism

The seat support plate is die-cast aluminum, mounted to a steel weldment, and supported by a composite spring. This allows the seat shell to recline as the occupant leans back. The internal steel weldment is mounted to a die-cast aluminum yoke that is mounted on top of a pneumatic cylinder, allowing the chair to swivel. The seat plate is powder-coat painted to match the shell poly color.

Armrests

Optional armrests are die-cast aluminum with polypropylene arm caps, inset flush on the top surface. Arm caps are available in Black, Warm Grey, or Cottonwood. Armrests are fixed position and mounted to the yoke.

Base

The die-cast aluminum 5-blade base is 26" diameter on chairs and 27" diameter on stools. For all except the fixed-height chairs, a single lever on the side of the seat yoke operates the height-adjusting pneumatic cylinder. Standard chair cylinders are available in Black, Warm Grey, or Cottonwood. Stool cylinders and fixed-height chair cylinders are chrome. Nominal seat height ranges are 16³/₄" to 20¹/₄" for chairs, fixed at 17¹/₂" for fixed-height chairs, and 23¹/₂" to 32³/₄" for stools.

Frame Finishes

The base, yoke, and optional armrests are available in polished aluminum or baked-on electrostatically-applied epoxy powder-coat paint. Paint may be specified in 30-degree gloss or textured (matte) finish.

Casters & Glides

Task chairs and stools are equipped with dual-surface casters, suitable for carpet or hard floors. Casters are 60 mm diameter, double-wheel, made of high-impact thermoplastic with softer elastomer over-molded on the wheel surfaces. Casters are available in Black, Warm Grey, or Cottonwood. (Cottonwood casters have Warm Grey elastomer on the surface that contacts the floor. All others are monochrome.) Black bell glides are also available instead of casters.

Foot Ring

Task stools are equipped with an adjustable-height foot ring. The foot ring has a die-cast aluminum hub and spokes (black with a polished top surface), and a 20" diameter chrome-plated tubular steel ring.

INFORMATION

C.O.M. Testing and Production Requirements

Not all materials are suitable for upholstering this product. A 1 yd. x 54" sample must be submitted and approved prior to acceptance of an order. If the fabric is directional in pattern or weave, the direction must be indicated on the submitted sample, and additional yardage may be requested.

Test samples must be sent to:

KI
Attn: C.O.M. Specialist
1687 Westminster Drive - Gate 3
Green Bay, WI 54302

Fabric Disclaimer

Fabric will be applied as swatched by the fabric manufacturer. Fabric that is required to be applied differently than is swatched will need a Modified Product Request written specifying the direction the fabric is to be applied.

KI Color Match Program

KI offers the additional option of color matching paint, polypropylene, or wood stain through Product Modification Requests. Contact Customer Service for details.

Whatever you imagine, whatever you require, KI's Color Match program lets you pick your color!

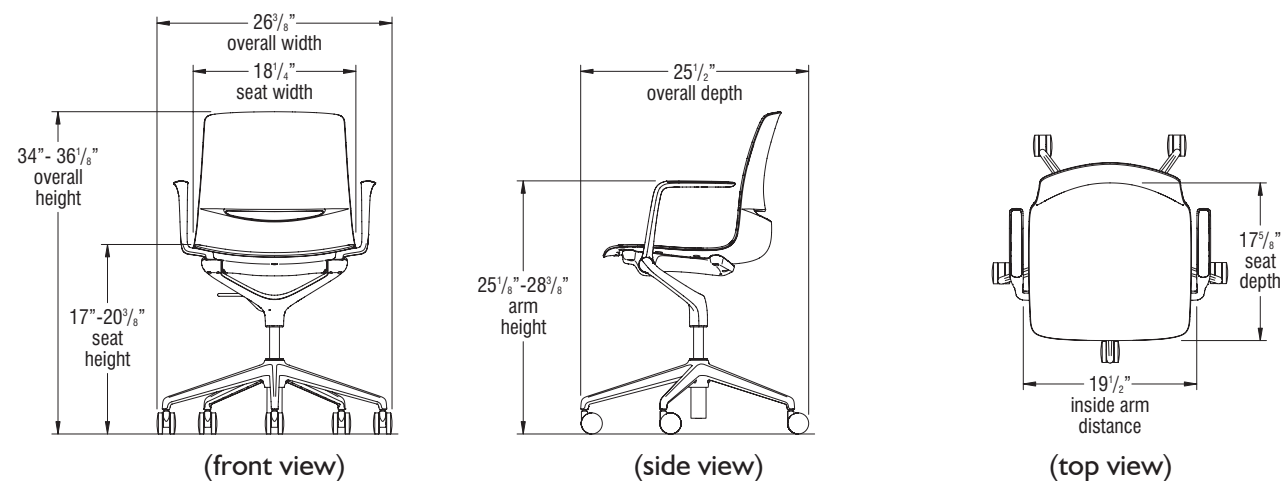
[Color Match Process - Poly Seating Information can be found here.](#)

Stacking Vinyl, Polyurethane, and Imitation Leather Upholstered Chairs

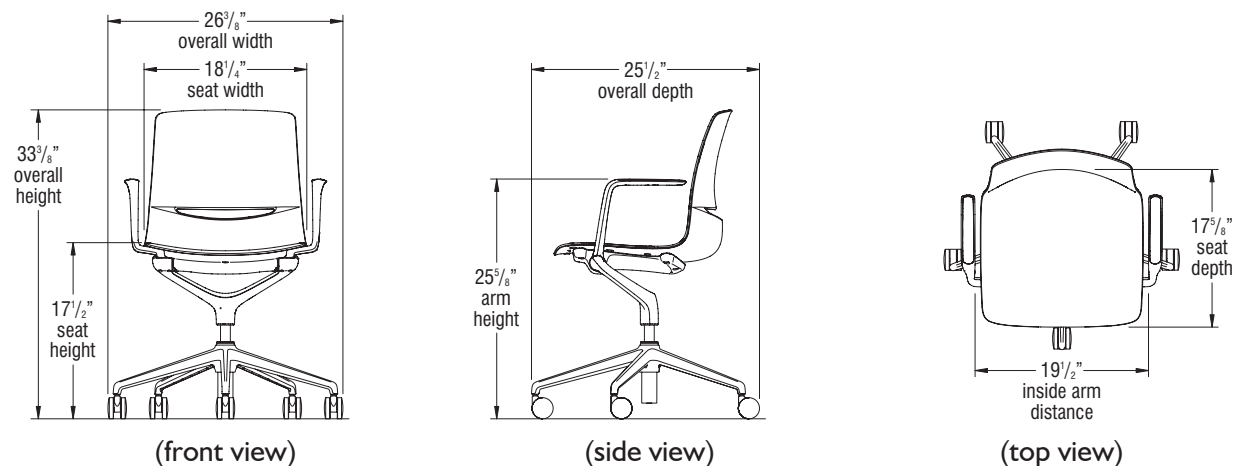
If stacking frequently and for long periods of time, it is recommended that upholstery other than vinyl, polyurethane or imitation leather be used to avoid impressions in the seat cushion. KI does not warrant the effects of stacking on stock or COM vinyl, polyurethane or imitation leather upholstery.



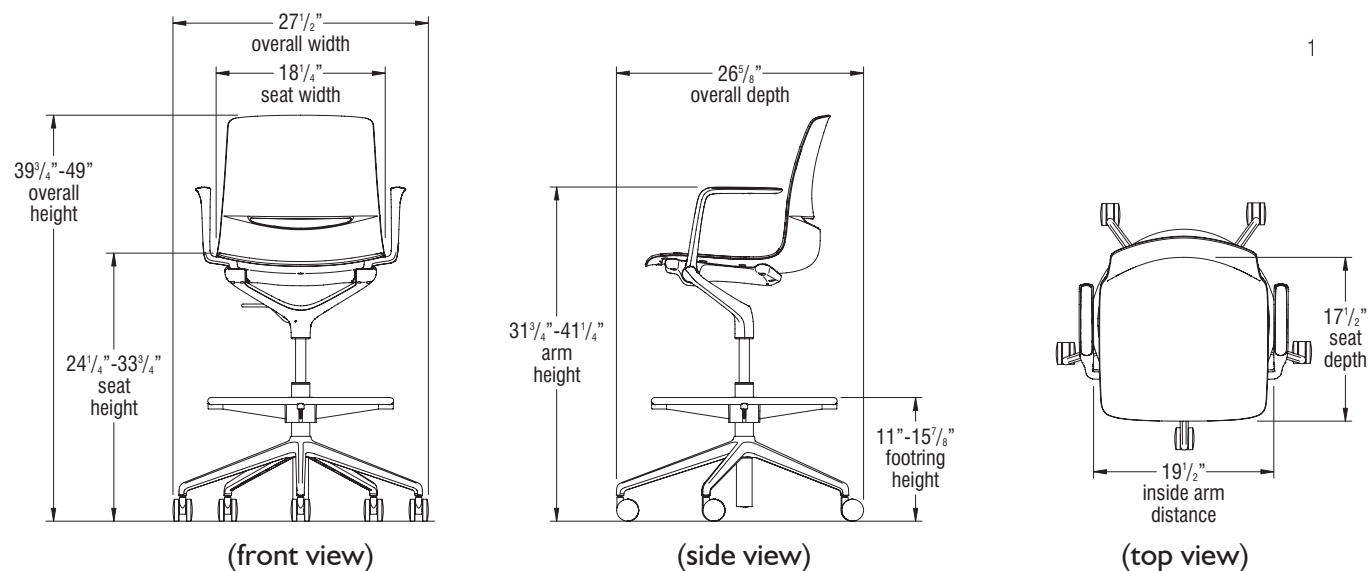
LimeLite Conference Chair with Enhanced Motion - Armchair - Adjustable-Height - (model LLM111 shown)



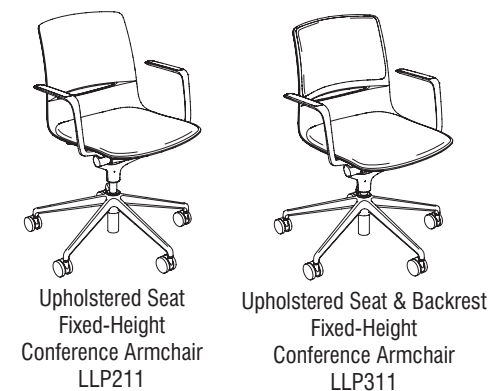
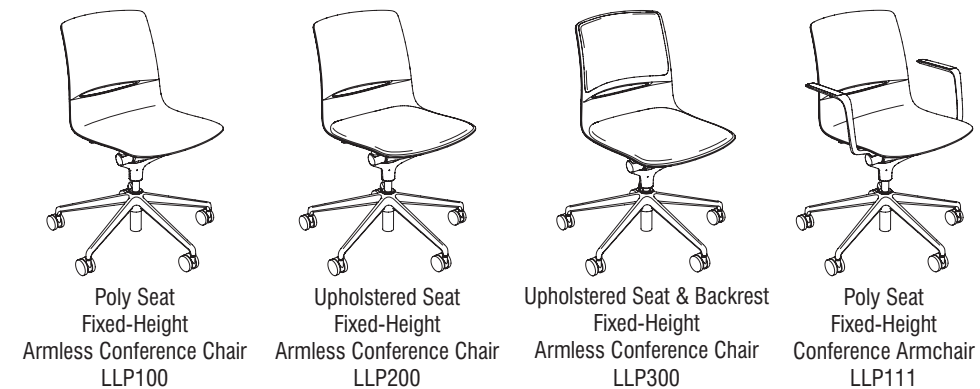
LimeLite Conference Chair with Enhanced Motion - Armchair - Fixed-Height - (model LLP111 shown)



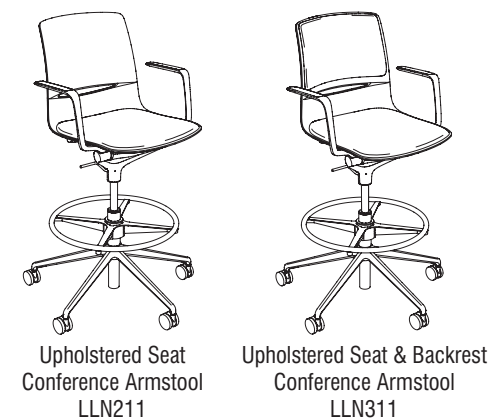
LimeLite Conference Stool with Enhanced Motion - Armstool - (model LLN111 shown)



LimeLite Conference Chair with Enhanced Motion



LimeLite Conference Stool with Enhanced Motion





Poly Color - Shell

Black	PBL
Blue Grey	PGR
Cayenne	PCY
Cool Grey	PCG
Cottonwood	PCO
Earthen Clay	PEY
Everglade Shade	PEV
Flannel	PFN
Hazy Jade	PHJ
Honey Bee	PHY
Light Tone	PLG
Mardi Gras	PMG
Misty Brown	PMY
Nemo	PNE
Nordic	PND
Poppy Red	PPR
Purple Haze	PPH
Rainforest	PRQ
Raw Jasper	PRJ
Rubber Ducky	PRK
Sand	PSA
Sky Blue	PSK
Surf's Up	PSP
Tarragon	PTQ
Twilight Shadow	PTI
Ultra Blue	PUB
Warm Grey	PWG
Zesty Lime	PZL

Nemo and Zesty Lime are only available as standard color options on armless models. If required on an arm model, a PRM can be submitted for approval, provided the client has visually approved the color variation.

Armrest/Yoke Frame/Five-Star Base/Height Adjust Lever

Color	
Black	BL
Blue Grey	GR
Bronze Metallic	ZM
Cayenne	CY
Champagne Metallic	CM
Cool Grey	CG
Cottonwood	CO
Earthen Clay	EY
Espresso Metallic	EX
Everglade Shade	EV
Flannel	FN
Glitz Metallic	GZ
Hazy Jade	HJ
Honey Bee	HY
Light Tone	LG
Mardi Gras	MG
Misty Brown	MY
Nemo	NE
Nordic	ND
Polished Aluminum	PA
Poppy Red	PR
Purple Haze	PH
Rainforest	RQ
Raw Jasper	RJ
Rubber Ducky	RK
Sand	SA
Sky Blue	SK
Starlight Silver Metallic	SX
Surf's Up	SP
Tarragon	TQ
Twilight Shadow	TI
Ultra Blue	UB
Warm Grey	WG
Zesty Lime	ZL
Black Textured (Matte)	BLT
Cool Grey Textured (Matte)	CGT
Cottonwood Textured (Matte)	COT
Flannel Textured (Matte)	FNT
Warm Grey Textured (Matte)	WGT

Nemo and Zesty Lime are only available as standard color options on armless models. If required on an arm model, a PRM can be submitted for approval, provided the client has visually approved the color variation.

*Armrest, yoke frame, five-star base and height adjust lever will all be the same color.

*Polished aluminum requires an upcharge.

*NOTE: Height adjust lever is chrome when polished aluminum is selected.

Arm Cap color

Black	ABL
Cottonwood	ACO
Warm Grey	AWG

Glide or Caster/Cylinder Color*

Bell glide (black only)	GBG
Dual surface casters, Black	UCBL
Dual surface casters, Cottonwood	UCCO
Dual surface casters, Warm Grey	UCWG

*NOTE: Bell Glides are always black

*NOTE: Fixed Height Chairs always have a chrome cylinder.

*NOTE: Stools always have a chrome cylinder. Foot ring is always black with polished spokes and a chrome ring.

Finish Cards

View color swatches for items listed within this document.

Paints

Plastics/Poly

Wood/Veneer

Laminates

Molded Edges



Edge Styles

Hard Plastics

Glass

Certain options referenced may not be available on GSA Schedule.



MODEL	Features	MODEL NUMBER						Approx. Packaged Weight	Delivered Pricing	Delivered Pricing Fabric Grade 1 & C.O.M.	Delivered Pricing Fabric Grade 2	Delivered Pricing Fabric Grade 3 & Group 2V Vinyl	Delivered Pricing Pallas Fabric Group P0	Delivered Pricing Pallas Fabric Group P1	Delivered Pricing Pallas Fabric Group P2	Delivered Pricing Pallas Fabric Group P3	
		Basic Model	Shell Color	Armrest/ Yoke Frame/ Five-Star Base Color	Armcap Color	Caster/ Cylinder Color or Glide	Upholstery Color										
 <p>LLM1 LLM2 LLM3</p>	Conference Armless Chair with Enhanced Motion • Enhanced articulation (13 degrees total) • Choice of polished aluminum or painted yoke frame, height adj lever, and base • Cylinder and casters in three colors • Bell glide available • 3.5" seat height range • 400 pound approved • C = Poly Seat and/or Back Color • D = Armrest/Yoke Frame/Five-Star Base Color • F = Caster/Cylinder Color or Glide	Poly Seat/Back	LLM100	<input type="checkbox"/> <input type="checkbox"/> <input type="checkbox"/>	<input type="checkbox"/> <input type="checkbox"/> <input type="checkbox"/>		<input type="checkbox"/> <input type="checkbox"/> <input type="checkbox"/>		34.50#	\$ 665							
		Uph Seat/Poly Back	LLM200	<input type="checkbox"/> <input type="checkbox"/> <input type="checkbox"/>	<input type="checkbox"/> <input type="checkbox"/> <input type="checkbox"/>		<input type="checkbox"/> <input type="checkbox"/> <input type="checkbox"/>	<input type="checkbox"/> <input type="checkbox"/> <input type="checkbox"/> <input type="checkbox"/> <input type="checkbox"/>	36.50#	N/A	772	778	792	779	831	852	875
		Uph Seat/Back	LLM300	<input type="checkbox"/> <input type="checkbox"/> <input type="checkbox"/>	<input type="checkbox"/> <input type="checkbox"/> <input type="checkbox"/>		<input type="checkbox"/> <input type="checkbox"/> <input type="checkbox"/>	<input type="checkbox"/> <input type="checkbox"/> <input type="checkbox"/> <input type="checkbox"/> <input type="checkbox"/>	34.50#	N/A	846	852	866	853	905	926	949
 <p>LLM1 LLM2 LLM3</p>	Conference Arm Chair with Enhanced Motion • Enhanced articulation (13 degrees total) • Choice of polished aluminum or painted armrest, yoke frame, height adj lever, and base • Arm cap in three colors • Cylinder and casters in three colors • Bell glide available • 3.5" seat height range • 400 pound approved • C = Poly Seat and/or Back Color • D = Armrest/Yoke Frame/Five-Star Base Color • E = Armcap Color • F = Caster/Cylinder Color or Glide	Poly Seat/Back	LLM111	<input type="checkbox"/> <input type="checkbox"/> <input type="checkbox"/>	<input type="checkbox"/> <input type="checkbox"/> <input type="checkbox"/>	<input type="checkbox"/> <input type="checkbox"/> <input type="checkbox"/>	<input type="checkbox"/> <input type="checkbox"/> <input type="checkbox"/>		37.00#	\$ 778							
		Uph Seat/Poly Back	LLM211	<input type="checkbox"/> <input type="checkbox"/> <input type="checkbox"/>	<input type="checkbox"/> <input type="checkbox"/> <input type="checkbox"/>	<input type="checkbox"/> <input type="checkbox"/> <input type="checkbox"/>	<input type="checkbox"/> <input type="checkbox"/> <input type="checkbox"/>	<input type="checkbox"/> <input type="checkbox"/> <input type="checkbox"/> <input type="checkbox"/> <input type="checkbox"/>	39.00#	N/A	885	891	905	892	944	965	988
		Uph Seat/Back	LLM311	<input type="checkbox"/> <input type="checkbox"/> <input type="checkbox"/>	<input type="checkbox"/> <input type="checkbox"/> <input type="checkbox"/>	<input type="checkbox"/> <input type="checkbox"/> <input type="checkbox"/>	<input type="checkbox"/> <input type="checkbox"/> <input type="checkbox"/>	<input type="checkbox"/> <input type="checkbox"/> <input type="checkbox"/> <input type="checkbox"/> <input type="checkbox"/>	37.00#	N/A	958	965	978	966	1018	1039	1062
			A	B	C	D	E	F									

HOW TO ORDER

- Indicate the following information on order form:
- Quantity of each item.
 - Model number, including options. See "How To Build a Model Number".
 - Any special service required.

Note: • The indicates that a choice is required.
 • The absence of the indicates that no choice is required.
 • Alpha-numeric characters in place of indicate that no other alternatives are available.

HOW TO BUILD A MODEL NUMBER

- A** Select basic model.
- B** Select shell color. Refer to the **Product Color Options** page in this price list.
- C** Select armrest/yoke frame/five-star base/height adjust lever color. Refer to the **Product Color Options** page in this price list. *Add \$159 for polished aluminum.
- D** Select Arm Cap color.
 - ABL** - Black
 - ACO** - Cottonwood
 - AWG** - Warm Grey
- E** Select caster/cylinder color or glide.
 - UCBL** - Dual surface casters, Black
 - UCCO** - Dual surface casters, Cottonwood
 - UCWG** - Dual surface casters, Warm Grey
 - GBG** - Bell glide (black only)

F Select upholstery grade/color. Refer to ki.com/fabrics

SPECIAL SERVICES

Special Carton Marking



With specially marked information N/C

Shipping

Ships **knocked down, FOB Green Bay, WI 54302, freight prepaid.** Freight class 100.

Specifications and prices are subject to change without prior notice.



MODEL	Features	MODEL NUMBER						Approx. Packaged Weight	Delivered Pricing	Delivered Pricing Fabric Grade 1 & C.O.M.	Delivered Pricing Fabric Grade 2	Delivered Pricing Fabric Grade 3 & Group 2V Vinyl	Delivered Pricing Pallas Fabric Group P0	Delivered Pricing Pallas Fabric Group P1	Delivered Pricing Pallas Fabric Group P2	Delivered Pricing Pallas Fabric Group P3	
		Basic Model	Shell Color	Armrest/ Yoke Frame/ Five-Star Base Color	Armcap Color	Caster Color or Glide	Upholstery Color										
 <p>LLP1 LLP2 LLP3</p>	Fixed Height Conference Armless Chair with Enhanced Motion • Enhanced articulation (13 degrees total) • Choice of polished aluminum or painted yoke frame and base • Casters in three colors • Cylinder always chrome • Bell glide (black) available • Fixed seat height • 400 pound approved • C = Poly Seat and/or Back Color • D = Armrest/Yoke Frame/Five-Star Base Color • F = Caster Color or Glide (cylinder is always chrome)	Poly Seat/Back	LLP100	<input type="checkbox"/> <input type="checkbox"/> <input type="checkbox"/>	<input type="checkbox"/> <input type="checkbox"/> <input type="checkbox"/>		<input type="checkbox"/> <input type="checkbox"/> <input type="checkbox"/>		34.00#	\$ 703							
		Uph Seat/Poly Back	LLP200	<input type="checkbox"/> <input type="checkbox"/> <input type="checkbox"/>	<input type="checkbox"/> <input type="checkbox"/> <input type="checkbox"/>		<input type="checkbox"/> <input type="checkbox"/> <input type="checkbox"/>	<input type="checkbox"/> <input type="checkbox"/> <input type="checkbox"/> <input type="checkbox"/>	36.00#	N/A	810	816	830	817	869	890	913
		Uph Seat/Back	LLP300	<input type="checkbox"/> <input type="checkbox"/> <input type="checkbox"/>	<input type="checkbox"/> <input type="checkbox"/> <input type="checkbox"/>		<input type="checkbox"/> <input type="checkbox"/> <input type="checkbox"/>	<input type="checkbox"/> <input type="checkbox"/> <input type="checkbox"/>	34.00#	N/A	884	890	904	891	943	964	987
 <p>LLP1 LLP2 LLP3</p>	Fixed Height Conference Arm Chair with Enhanced Motion • Enhanced articulation (13 degrees total) • Choice of polished aluminum or painted armrest, yoke frame and base • Arm cap in three colors • Casters in three colors • Cylinder always chrome • Bell glide (black) available • Fixed seat height • 400 pound approved • C = Poly Seat and/or Back Color • D = Armrest/Yoke Frame/Five-Star Base Color • E = Armcap Color • F = Caster Color or Glide (cylinder is always chrome)	Poly Seat/Back	LLP111	<input type="checkbox"/> <input type="checkbox"/> <input type="checkbox"/>	<input type="checkbox"/> <input type="checkbox"/> <input type="checkbox"/>	<input type="checkbox"/> <input type="checkbox"/> <input type="checkbox"/>	<input type="checkbox"/> <input type="checkbox"/> <input type="checkbox"/>		36.50#	\$ 816							
		Uph Seat/Poly Back	LLP211	<input type="checkbox"/> <input type="checkbox"/> <input type="checkbox"/>	<input type="checkbox"/> <input type="checkbox"/> <input type="checkbox"/>	<input type="checkbox"/> <input type="checkbox"/> <input type="checkbox"/>	<input type="checkbox"/> <input type="checkbox"/> <input type="checkbox"/>	<input type="checkbox"/> <input type="checkbox"/> <input type="checkbox"/> <input type="checkbox"/>	38.50#	N/A	923	929	943	930	982	1003	1026
		Uph Seat/Back	LLP311	<input type="checkbox"/> <input type="checkbox"/> <input type="checkbox"/>	<input type="checkbox"/> <input type="checkbox"/> <input type="checkbox"/>	<input type="checkbox"/> <input type="checkbox"/> <input type="checkbox"/>	<input type="checkbox"/> <input type="checkbox"/> <input type="checkbox"/>	<input type="checkbox"/> <input type="checkbox"/> <input type="checkbox"/>	36.50#	N/A	996	1003	988	1004	1055	1077	1100
				A	B	C	D	E	F								

HOW TO ORDER

Indicate the following information on order form:

- Quantity of each item.
- Model number, including options. See "How To Build a Model Number".
- Any special service required.

Note:

- The indicates that a choice is required.
- The absence of the indicates that no choice is required.
- Alpha-numeric characters in place of indicate that no other alternatives are available.

HOW TO BUILD A MODEL NUMBER

A Select basic model.

B Select shell color.
Refer to the **Product Color Options** page in this price list.

C Select armrest/yoke frame/five-star base/height adjust lever color.
Refer to the **Product Color Options** page in this price list.
*Add \$159 for polished aluminum.

D Select Arm Cap color.
ABL - Black
ACO - Cottonwood
AWG - Warm Grey

E Select caster color or glide.
UCBL - Dual surface casters, Black
UCCO - Dual surface casters, Cottonwood
UCWG - Dual surface casters, Warm Grey
GBG - Bell glide (black only)
 *Cylinder is always chrome

F Select upholstery grade/color.
Refer to ki.com/fabrics



SPECIAL SERVICES

Special Carton Marking
With specially marked information N/C

Shipping
Ships **knocked down, FOB Green Bay, WI 54302, freight prepaid.** Freight class 100.

Specifications and prices are subject to change without prior notice.



MODEL	Features	MODEL NUMBER						Approx. Packaged Weight	Delivered Pricing	Delivered Pricing Fabric Grade 1 & C.O.M.	Delivered Pricing Fabric Grade 2	Delivered Pricing Fabric Grade 3 & Group 2V Vinyl	Delivered Pricing Pallas Fabric Group P0	Delivered Pricing Pallas Fabric Group P1	Delivered Pricing Pallas Fabric Group P2	Delivered Pricing Pallas Fabric Group P3
		Basic Model	Shell Color	Armrest/ Yoke Frame/ Five-Star Base Color	Armcap Color	Caster Color or Glide	Upholstery Color									
 <p>LLN1 LLN2 LLN3</p>	Conference Armless Stool with Enhanced Motion	Poly Seat/Back	LLN100	<input type="checkbox"/> <input type="checkbox"/> <input type="checkbox"/>	<input type="checkbox"/> <input type="checkbox"/> <input type="checkbox"/>											
	<ul style="list-style-type: none"> Enhanced articulation (13 degrees total) Choice of polished aluminum or painted yoke frame, height adj lever, and base Casters in three colors Cylinder always chrome 9.25" seat height range 20" diameter adjustable foot ring 400 pound approved C = Poly Seat and/or Back Color D = Armrest/Yoke Frame/Five-Star Base Color F = Caster Color or Glide (cylinder is always chrome) 	Uph Seat/Poly Back	LLN200	<input type="checkbox"/> <input type="checkbox"/> <input type="checkbox"/>	<input type="checkbox"/> <input type="checkbox"/> <input type="checkbox"/>											
		Uph Seat/Back	LLN300	<input type="checkbox"/> <input type="checkbox"/> <input type="checkbox"/>	<input type="checkbox"/> <input type="checkbox"/> <input type="checkbox"/>											
 <p>LLN1 LLN2 LLN3</p>	Conference Arm Stool with Enhanced Motion	Poly Seat/Back	LLN111	<input type="checkbox"/> <input type="checkbox"/> <input type="checkbox"/>	<input type="checkbox"/> <input type="checkbox"/> <input type="checkbox"/>	<input type="checkbox"/> <input type="checkbox"/> <input type="checkbox"/>	<input type="checkbox"/> <input type="checkbox"/> <input type="checkbox"/>									
	<ul style="list-style-type: none"> Enhanced articulation (13 degrees total) Choice of polished aluminum or painted armrest, yoke frame, height adj lever, and base Arm cap in three colors Casters in three colors Cylinder always chrome 9.25" seat height range 20" diameter adjustable foot ring 400 pound approved C = Poly Seat and/or Back Color D = Armrest/Yoke Frame/Five-Star Base Color E = Armcap Color F = Caster Color or Glide (cylinder is always chrome) 	Uph Seat/Poly Back	LLN211	<input type="checkbox"/> <input type="checkbox"/> <input type="checkbox"/>	<input type="checkbox"/> <input type="checkbox"/> <input type="checkbox"/>	<input type="checkbox"/> <input type="checkbox"/> <input type="checkbox"/>	<input type="checkbox"/> <input type="checkbox"/> <input type="checkbox"/>									
		Uph Seat/Back	LLN311	<input type="checkbox"/> <input type="checkbox"/> <input type="checkbox"/>	<input type="checkbox"/> <input type="checkbox"/> <input type="checkbox"/>	<input type="checkbox"/> <input type="checkbox"/> <input type="checkbox"/>	<input type="checkbox"/> <input type="checkbox"/> <input type="checkbox"/>									

A **B** **C** **D** **E** **F**

HOW TO ORDER

Indicate the following information on order form:

- Quantity of each item.
- Model number, including options. See "How To Build a Model Number".
- Any special service required.

Note:

- The indicates that a choice is required.
- The absence of the indicates that no choice is required.
- Alpha-numeric characters in place of indicate that no other alternatives are available.

HOW TO BUILD A MODEL NUMBER

A Select basic model.

B Select shell color.
Refer to the **Product Color Options** page in this price list.

C Select armrest/yoke frame/five-star base/height adjust lever color.
Refer to the **Product Color Options** page in this price list.
*Add \$159 for polished aluminum.

D Select Arm Cap color.
ABL - Black
ACO - Cottonwood
AWG - Warm Grey

E Select caster color or glide.
UCBL - Dual surface casters, Black
UCCO - Dual surface casters, Cottonwood
UCWG - Dual surface casters, Warm Grey
GBG - Bell glide (black only)
 *Cylinder is always chrome.

F Select upholstery grade/color.
Refer to ki.com/fabrics

SPECIAL SERVICES

Special Carton Marking
With specially marked information N/C

Shipping
Ships **knocked down**, **FOB Green Bay, WI 54302**, **freight prepaid**. Freight class 100.

Specifications and prices are subject to change without prior notice.



1-Place Unit

2-Place Unit

3-Place Unit

4-Place Unit

Features				
Corner tables	•	•	•	•
In-line tables	•	•	•	•
Poly seat/back, upholstered seat/poly back, Upholstered Seat/Back	•	•	•	•
General Dimensions				
Seat width	18-1/4"	18-1/4"	18-1/4"	18-1/4"
Seat depth	17-1/2"	17-1/2"	17-1/2"	17-1/2"
Seat height	17"	17"	17"	17"
Unit width	20"	44"	66"	86"
Unit height	33"	33"	33"	33"
Corner table top	30" x 30"	30" x 30"	30" x 30"	30" x 30"
In-line table	20" x 20"	20" x 20"	20" x 20"	20" x 20"
Table height (all table models)	17"	17"	17"	17"

¹Tandem Seating

TECHNICAL SPECIFICATIONS

One-Piece Seat Shell

The seat and backrest are integrated into a single shell that is injection-molded in polypropylene, reinforced with glass fiber. The shell is ergonomically contoured and features a passive flex back movement for superior comfort.

Upholstered Seat (optional)

Molded urethane foam is attached to an injection-molded polypropylene seat board, then is upholstered using a draw-string process. The assembled seat pad is attached to the seat by means of hidden fasteners. Seat foam is nominal 3/4" thickness.

Upholstered Backrest (optional)

Molded urethane foam is attached to an injection-molded polypropylene upholstery liner, then is upholstered using a draw-string process. The assembled backrest pad is permanently attached to the backrest with no visible fasteners. Backrest foam is nominal 1/2" thickness.

Under-seat Structure

Support structure is a die-drawn 12-gauge steel plate. Structure is finished with baked-on electrostatically-applied 30-degree gloss epoxy powder-coat paint.

Tandem Base

Cast aluminum alloy foot section. Leg upright is 14-gauge 1" x 2" seamless steel column. Upright and foot are painted monochromatic with beam and yoke. Leg upright column is welded to a plate which clamps onto the beam with a yoke.

In-Line Table

Solid core top is 20" x 20" x 7/8" with a vinyl bullnose edge.

Corner Table

Solid core top is 30" x 30" x 7/8" with a vinyl bullnose edge.



Tandem Seating Frame Color

Black	BL	Surf's Up	PSP	Italian Silver Ash	LIT
Blue Grey	GR	Tarragon	PTQ	Kensington Maple	LKM
Cayenne	CY	Twilight Shadow	PTI	Lapis Blue	LLB
Cool Grey	CG	Ultra Blue	PUB	Monticello Maple	LMT
Cottonwood	CO	Warm Grey	PWG	North Sea	LNA
Earthen Clay	EY	Zesty Lime	PZL	Ocean	LON
Everglade Shade	EV	Nemo and Zesty Lime are only available as standard color options on armless models. If required on an arm model, a PRM can be submitted for approval, provided the client has visually approved the color variation.			LPW
Flannel	FN				LRY
Hazy Jade	HJ				LSR
Honey Bee	HY				LAZ
Light Tone	LG				LTV
Mardi Gras	MG				LWL
Misty Brown	MY				LWN
Nemo	NE				LWY
Nordic	ND				
Poppy Red	PR				
Purple Haze	PH				
Rainforest	RQ				
Raw Jasper	RJ				
Rubber Ducky	RK				
Sky Blue	SK				
Surf's Up	SP				
Tarragon	TQ				
Twilight Shadow	TI				
Ultra Blue	UB				
Warm Grey	WG				
Zesty Lime	ZL				

Nemo and Zesty Lime are only available as standard color options on armless models. If required on an arm model, a PRM can be submitted for approval, provided the client has visually approved the color variation.

NOTE: Textured finishes are NOT available on Tandem Seating

Poly Color - Shell

Black	PBL
Blue Grey	PGR
Cayenne	PCY
Cool Grey	PCG
Cottonwood	PCO
Earthen Clay	PEY
Everglade Shade	PEV
Flannel	PFN
Hazy Jade	PHJ
Honey Bee	PHY
Light Tone	PLG
Mardi Gras	PMG
Misty Brown	PMY
Nemo	PNE
Nordic	PND
Poppy Red	PPR
Purple Haze	PPH
Rainforest	PRQ
Raw Jasper	PRJ
Rubber Ducky	PRK
Sand	PSA
Sky Blue	PSK

Table Surface Color - Laminate

Black	EBL
Blue Grey	EGR
Cayenne	ECY
Cool Grey	ECG
Everglade Shade	EEV
Flannel	EFN
Friston Ash	EFH
Frosty White	EFW
Hazy Jade	EHJ
Light Tone	ELG
Mardi Gras	EMG
Misty Brown	EMY
Nemo	ENE
Nordic	END
Poppy Red	EPR
Rubber Ducky	ERK
Sand	ESA
Sky Blue	ESK
Sterling Ash	EAZ
Surf's Up	ESP
Twilight Shadow	ETI
Ultra Blue	EUB
Warm Grey	EWG
Zesty Lime	EZL
Beigewood	LBZ
Belair	LBQ
Biltmore Cherry	LBT
Black	LBK
Brighton Walnut	LBW
Castle Oak	LCO
Cherry Storm	LCX
Classic Linen	LCI
Cocobala	LCC
Crisp Linen	LRI
Designer White	LDR
Dove Grey	LDG
Florence Walnut	LFC
Friston Ash	LFH
Frosty White	LFW
Graphite Nebula	LGN
Grey	LGE
High Rise	LHE
Hollyberry	LHY
Island	LID


Finish Cards

View color swatches for items listed within this document.

- [Paints](#)
- [Wood/Veneer](#)
- [Molded Edges](#)
- [Hard Plastics](#)
- [Plastics/Poly](#)
- [Laminates](#)
- [Edge Styles](#)
- [Glass](#)

Certain options referenced may not be available on GSA Schedule.



MODEL	Features	MODEL NUMBER					Approx. Packaged Weight	Delivered Pricing
		Basic Model	Frame Color	Shell Color	Surface Finish	Edge Color		
 <p>LLD1</p> <p>Poly Seat/Back - No Arm</p> <ul style="list-style-type: none"> • Optional in-line tables • 1 seat, 0 in-line table models must connect to a corner table • Corner table is ordered separately 	1 Seat, 0 In-Line Table	LLD10S1T0	<input type="checkbox"/>	<input type="checkbox"/>			22.00#	\$ 545
	1 Seat, 1 In-Line Table	LLD10S1T1	<input type="checkbox"/>	<input type="checkbox"/>	<input type="checkbox"/>	<input type="checkbox"/>	34.00#	1154
	2 Seats, 0 In-Line Table	LLD10S2T0	<input type="checkbox"/>	<input type="checkbox"/>			37.00#	1088
	2 Seat, 2 In-Line Table	LLD10S2T1	<input type="checkbox"/>	<input type="checkbox"/>	<input type="checkbox"/>	<input type="checkbox"/>	51.00#	1698
	3 Seats, 0 In-Line Table	LLD10S3T0	<input type="checkbox"/>	<input type="checkbox"/>			54.00#	1634
	3 Seats, 1 In-Line Table	LLD10S3T1	<input type="checkbox"/>	<input type="checkbox"/>	<input type="checkbox"/>	<input type="checkbox"/>	68.00#	2244
	4 Seats, 0 In-Line Table	LLD10S4T0	<input type="checkbox"/>	<input type="checkbox"/>			75.00#	2179
	3 Seats, 2 In-Line Tables	LLD10S3T2	<input type="checkbox"/>	<input type="checkbox"/>	<input type="checkbox"/>	<input type="checkbox"/>	87.00#	2853
	4 Seats, 1 In-Line Table	LLD10S4T1	<input type="checkbox"/>	<input type="checkbox"/>	<input type="checkbox"/>	<input type="checkbox"/>	91.00#	2787
	5 Seats, 0 In-Line Table	LLD10S5T0	<input type="checkbox"/>	<input type="checkbox"/>			93.00#	2723

A **B** **C** **D** **E**

HOW TO ORDER

- Indicate the following information on order form:
1. Quantity of each item.
 2. Model number, including options. See "How To Build a Model Number".
 3. Any special service required.

Note:

- The indicates that a choice is required.
- The absence of the indicates that no choice is required.
- Alpha-numeric characters in place of indicate that no other alternatives are available.

HOW TO BUILD A MODEL NUMBER

- A** Select basic model.
- B** Select frame color. Refer to the **Product Color Options** page in this price list.
- C** Select shell color. Refer to the **Product Color Options** page in this price list.
- D** Select surface finish for table. Refer to the **Product Color Options** page in this price list.
- E** Select table edge color. Refer to the **Product Color Options** page in this price list.

SPECIAL SERVICES

Special Carton Marking


With specially marked information N/C

Shipping

Ships **knocked down, FOB Green Bay, WI 54302, freight prepaid.** Freight class 70.

Specifications and prices are subject to change without prior notice.



MODEL	Features	MODEL NUMBER						Approx. Packaged Weight	Delivered Pricing Fabric Grade 1 & C.O.M.	Delivered Pricing Fabric Grade 2	Delivered Pricing Fabric Grade 3 & Group 2V Vinyl	Delivered Pricing Pallas Fabric Group P0	Delivered Pricing Pallas Fabric Group P1	Delivered Pricing Pallas Fabric Group P2	Delivered Pricing Pallas Fabric Group P3
		Basic Model	Frame Color	Shell Color	Upholstery Color	Surface Finish	Edge Color								
 LLD2 Upholstered Seat/Poly Back - No Arm • Optional in-line tables • 1 seat, 0 in-line table models must connect to a corner table • Corner table is ordered separately	1 Seat, 0 In-Line Table	LLD20S1T0	<input type="checkbox"/>	<input type="checkbox"/>	<input type="checkbox"/>	<input type="checkbox"/>	<input type="checkbox"/>	25.00#	\$ 759	\$ 766	\$ 782	\$ 770	\$ 821	\$ 842	\$ 866
	1 Seat, 1 In-Line Table	LLD20S1T1	<input type="checkbox"/>	<input type="checkbox"/>	<input type="checkbox"/>	<input type="checkbox"/>	<input type="checkbox"/>	36.00#	1368	1375	1391	1378	1430	1451	1474
	2 Seats, 0 In-Line Table	LLD20S2T0	<input type="checkbox"/>	<input type="checkbox"/>	<input type="checkbox"/>	<input type="checkbox"/>	<input type="checkbox"/>	42.00#	1302	1310	1326	1313	1365	1386	1409
	2 Seats, 1 In-Line Table	LLD20S2T1	<input type="checkbox"/>	<input type="checkbox"/>	<input type="checkbox"/>	<input type="checkbox"/>	<input type="checkbox"/>	56.00#	1912	1920	1935	1923	1974	1996	2019
	3 Seats, 0 In-Line Table	LLD20S3T0	<input type="checkbox"/>	<input type="checkbox"/>	<input type="checkbox"/>	<input type="checkbox"/>	<input type="checkbox"/>	59.00#	1848	1855	1871	1858	1910	1931	1954
	3 Seats, 1 In-Line Table	LLD20S3T1	<input type="checkbox"/>	<input type="checkbox"/>	<input type="checkbox"/>	<input type="checkbox"/>	<input type="checkbox"/>	73.00#	2459	2466	2482	2469	2521	2542	2565
	4 Seats, 0 In-Line Table	LLD20S4T0	<input type="checkbox"/>	<input type="checkbox"/>	<input type="checkbox"/>	<input type="checkbox"/>	<input type="checkbox"/>	80.00#	2393	2401	2416	2404	2455	2477	2500
	4 Seats, 1 In-Line Table	LLD20S4T1	<input type="checkbox"/>	<input type="checkbox"/>	<input type="checkbox"/>	<input type="checkbox"/>	<input type="checkbox"/>	89.00#	3001	3008	3024	3011	3063	3084	3107
	3 Seats, 2 In-Line Tables	LLD20S3T2	<input type="checkbox"/>	<input type="checkbox"/>	<input type="checkbox"/>	<input type="checkbox"/>	<input type="checkbox"/>	92.00#	3067	3075	3091	3078	3130	3151	3174
	5 Seats, 0 In-Line Table	LLD20S5T0	<input type="checkbox"/>	<input type="checkbox"/>	<input type="checkbox"/>	<input type="checkbox"/>	<input type="checkbox"/>	98.00#	2938	2945	2961	2948	3000	3021	3044
LLD3 Upholstered Seat/Back - No Arm • Optional in-line tables • 1 seat, 0 in-line table models must connect to a corner table • Corner table is ordered separately	1 Seat, 0 In-Line Table	LLD30S1T0	<input type="checkbox"/>	<input type="checkbox"/>	<input type="checkbox"/>	<input type="checkbox"/>	<input type="checkbox"/>	25.00#	\$ 833	\$ 840	\$ 856	\$ 822	\$ 895	\$ 916	\$ 939
	1 Seat, 1 In-Line Table	LLD30S1T1	<input type="checkbox"/>	<input type="checkbox"/>	<input type="checkbox"/>	<input type="checkbox"/>	<input type="checkbox"/>	25.00#	1442	1449	1465	1452	1504	1525	1517
	2 Seats, 0 In-Line Table	LLD30S2T0	<input type="checkbox"/>	<input type="checkbox"/>	<input type="checkbox"/>	<input type="checkbox"/>	<input type="checkbox"/>	42.00#	1376	1384	1399	1387	1438	1460	1483
	2 Seats, 1 In-Line Table	LLD30S2T1	<input type="checkbox"/>	<input type="checkbox"/>	<input type="checkbox"/>	<input type="checkbox"/>	<input type="checkbox"/>	56.00#	1986	1993	2009	1997	2048	2069	2093
	3 Seats, 0 In-Line Table	LLD30S3T0	<input type="checkbox"/>	<input type="checkbox"/>	<input type="checkbox"/>	<input type="checkbox"/>	<input type="checkbox"/>	59.00#	1922	1929	1945	1932	1984	2005	2028
	3 Seats, 1 In-Line Table	LLD30S3T1	<input type="checkbox"/>	<input type="checkbox"/>	<input type="checkbox"/>	<input type="checkbox"/>	<input type="checkbox"/>	73.00#	2532	2540	2556	2543	2595	2616	2639
	4 Seats, 0 In-Line Table	LLD30S4T0	<input type="checkbox"/>	<input type="checkbox"/>	<input type="checkbox"/>	<input type="checkbox"/>	<input type="checkbox"/>	80.00#	2467	2474	2490	2478	2529	2550	2574
	4 Seats, 1 In-Line Table	LLD30S4T1	<input type="checkbox"/>	<input type="checkbox"/>	<input type="checkbox"/>	<input type="checkbox"/>	<input type="checkbox"/>	89.00#	3075	3082	3098	3085	3137	3158	3181
	3 Seats, 2 In-Line Tables	LLD30S3T2	<input type="checkbox"/>	<input type="checkbox"/>	<input type="checkbox"/>	<input type="checkbox"/>	<input type="checkbox"/>	92.00#	3141	3149	3164	3152	3203	3225	3248
	5 Seats, 0 In-Line Table	LLD30S5T0	<input type="checkbox"/>	<input type="checkbox"/>	<input type="checkbox"/>	<input type="checkbox"/>	<input type="checkbox"/>	98.00#	3011	3019	3035	3022	3074	3095	3118

A **B** **C** **D** **E** **F**

HOW TO ORDER

- Indicate the following information on order form:
- Quantity of each item.
 - Model number, including options. See "How To Build a Model Number".
 - Any special service required.

Note: • The indicates that a choice is required.
 • The absence of the indicates that no choice is required.
 • Alpha-numeric characters in place of indicate that no other alternatives are available.

HOW TO BUILD A MODEL NUMBER

- A** Select basic model.
- B** Select frame color. Refer to the **Product Color Options** page in this price list.
- C** Select shell color. Refer to the **Product Color Options** page in this price list.
- D** Select upholstery grade/color. Refer to ki.com/fabrics
- E** Select surface finish for table. Refer to the **Product Color Options** page in this price list.
- F** Select table edge color. Refer to the **Product Color Options** page in this price list.

UPHOLSTERY INFORMATION

C.O.M. Upholstery
 C.O.M. requirement for 10 chairs or less with upholstered seat is 3/4 yard per chair of 54" wide nondirectional fabric. For orders of 11 or more with upholstered seat and for complete information on ordering C.O.M. see "Ordering Customer's Own Material (C.O.M) Upholstery" section.


SPECIAL SERVICES

Special Carton Marking
 With specially marked information N/C

Shipping
 Ships **knocked down, FOB Green Bay, WI 54302, freight prepaid.** Freight class 70.

Specifications and prices are subject to change without prior notice.



MODEL	Features	MODEL NUMBER						Approx. Packaged Weight	Delivered Pricing Fabric Grade 1 & C.O.M.	Delivered Pricing Fabric Grade 2	Delivered Pricing Fabric Grade 3 & Group 2V Vinyl	Delivered Pricing Pallas Fabric Group P0	Delivered Pricing Pallas Fabric Group P1	Delivered Pricing Pallas Fabric Group P2	Delivered Pricing Pallas Fabric Group P3
		Basic Model	Frame Color	Shell Color	Upholstery Color	Surface Finish	Edge Color								
 LLD2 Upholstered Seat/Poly Back - No Arm • Optional in-line tables • 1 seat, 0 in-line table models must connect to a corner table • Corner table is ordered separately	1 Seat, 0 In-Line Table	LLD20S1T0	<input type="checkbox"/>	<input type="checkbox"/>	<input type="checkbox"/>	<input type="checkbox"/>	<input type="checkbox"/>	25.00#	\$ 759	\$ 766	\$ 782	\$ 770	\$ 821	\$ 842	\$ 866
	1 Seat, 1 In-Line Table	LLD20S1T1	<input type="checkbox"/>	<input type="checkbox"/>	<input type="checkbox"/>	<input type="checkbox"/>	<input type="checkbox"/>	36.00#	1368	1375	1391	1378	1430	1451	1474
	2 Seats, 0 In-Line Table	LLD20S2T0	<input type="checkbox"/>	<input type="checkbox"/>	<input type="checkbox"/>	<input type="checkbox"/>	<input type="checkbox"/>	42.00#	1302	1310	1326	1313	1365	1386	1409
	2 Seats, 1 In-Line Table	LLD20S2T1	<input type="checkbox"/>	<input type="checkbox"/>	<input type="checkbox"/>	<input type="checkbox"/>	<input type="checkbox"/>	56.00#	1912	1920	1935	1923	1974	1996	2019
	3 Seats, 0 In-Line Table	LLD20S3T0	<input type="checkbox"/>	<input type="checkbox"/>	<input type="checkbox"/>	<input type="checkbox"/>	<input type="checkbox"/>	59.00#	1848	1855	1871	1858	1910	1931	1954
	3 Seats, 1 In-Line Table	LLD20S3T1	<input type="checkbox"/>	<input type="checkbox"/>	<input type="checkbox"/>	<input type="checkbox"/>	<input type="checkbox"/>	73.00#	2459	2466	2482	2469	2521	2542	2565
	4 Seats, 0 In-Line Table	LLD20S4T0	<input type="checkbox"/>	<input type="checkbox"/>	<input type="checkbox"/>	<input type="checkbox"/>	<input type="checkbox"/>	80.00#	2393	2401	2416	2404	2455	2477	2500
	4 Seats, 1 In-Line Table	LLD20S4T1	<input type="checkbox"/>	<input type="checkbox"/>	<input type="checkbox"/>	<input type="checkbox"/>	<input type="checkbox"/>	89.00#	3001	3008	3024	3011	3063	3084	3107
	3 Seats, 2 In-Line Tables	LLD20S3T2	<input type="checkbox"/>	<input type="checkbox"/>	<input type="checkbox"/>	<input type="checkbox"/>	<input type="checkbox"/>	92.00#	3067	3075	3091	3078	3130	3151	3174
	5 Seats, 0 In-Line Table	LLD20S5T0	<input type="checkbox"/>	<input type="checkbox"/>	<input type="checkbox"/>	<input type="checkbox"/>	<input type="checkbox"/>	98.00#	2938	2945	2961	2948	3000	3021	3044
LLD3 Upholstered Seat/Back - No Arm • Optional in-line tables • 1 seat, 0 in-line table models must connect to a corner table • Corner table is ordered separately	1 Seat, 0 In-Line Table	LLD30S1T0	<input type="checkbox"/>	<input type="checkbox"/>	<input type="checkbox"/>	<input type="checkbox"/>	<input type="checkbox"/>	25.00#	\$ 833	\$ 840	\$ 856	\$ 822	\$ 895	\$ 916	\$ 939
	1 Seat, 1 In-Line Table	LLD30S1T1	<input type="checkbox"/>	<input type="checkbox"/>	<input type="checkbox"/>	<input type="checkbox"/>	<input type="checkbox"/>	25.00#	1442	1449	1465	1452	1504	1525	1517
	2 Seats, 0 In-Line Table	LLD30S2T0	<input type="checkbox"/>	<input type="checkbox"/>	<input type="checkbox"/>	<input type="checkbox"/>	<input type="checkbox"/>	42.00#	1376	1384	1399	1387	1438	1460	1483
	2 Seats, 1 In-Line Table	LLD30S2T1	<input type="checkbox"/>	<input type="checkbox"/>	<input type="checkbox"/>	<input type="checkbox"/>	<input type="checkbox"/>	56.00#	1986	1993	2009	1997	2048	2069	2093
	3 Seats, 0 In-Line Table	LLD30S3T0	<input type="checkbox"/>	<input type="checkbox"/>	<input type="checkbox"/>	<input type="checkbox"/>	<input type="checkbox"/>	59.00#	1922	1929	1945	1932	1984	2005	2028
	3 Seats, 1 In-Line Table	LLD30S3T1	<input type="checkbox"/>	<input type="checkbox"/>	<input type="checkbox"/>	<input type="checkbox"/>	<input type="checkbox"/>	73.00#	2532	2540	2556	2543	2595	2616	2639
	4 Seats, 0 In-Line Table	LLD30S4T0	<input type="checkbox"/>	<input type="checkbox"/>	<input type="checkbox"/>	<input type="checkbox"/>	<input type="checkbox"/>	80.00#	2467	2474	2490	2478	2529	2550	2574
	4 Seats, 1 In-Line Table	LLD30S4T1	<input type="checkbox"/>	<input type="checkbox"/>	<input type="checkbox"/>	<input type="checkbox"/>	<input type="checkbox"/>	89.00#	3075	3082	3098	3085	3137	3158	3181
	3 Seats, 2 In-Line Tables	LLD30S3T2	<input type="checkbox"/>	<input type="checkbox"/>	<input type="checkbox"/>	<input type="checkbox"/>	<input type="checkbox"/>	92.00#	3141	3149	3164	3152	3203	3225	3248
	5 Seats, 0 In-Line Table	LLD30S5T0	<input type="checkbox"/>	<input type="checkbox"/>	<input type="checkbox"/>	<input type="checkbox"/>	<input type="checkbox"/>	98.00#	3011	3019	3035	3022	3074	3095	3118

A **B** **C** **D** **E** **F**

HOW TO ORDER

- Indicate the following information on order form:
- Quantity of each item.
 - Model number, including options. See "How To Build a Model Number".
 - Any special service required.

Note:

- The indicates that a choice is required.
- The absence of the indicates that no choice is required.
- Alpha-numeric characters in place of indicate that no other alternatives are available.

HOW TO BUILD A MODEL NUMBER

- A** Select basic model.
- B** Select frame color. Refer to the **Product Color Options** page in this price list.
- C** Select shell color. Refer to the **Product Color Options** page in this price list.
- D** Select upholstery grade/color. Refer to ki.com/fabrics
- E** Select surface finish for table. Refer to the **Product Color Options** page in this price list.
- F** Select table edge color. Refer to the **Product Color Options** page in this price list.

SPECIAL SERVICES

Special Carton Marking

With specially marked information N/C

Shipping

Ships **knocked down, FOB Green Bay, WI 54302, freight prepaid.** Freight class 70.

Specifications and prices are subject to change without prior notice.



MODEL	Features	MODEL NUMBER				Approx. Packaged Weight	Delivered Pricing
		Basic Model	Frame Color	Surface Finish	Edge Color		
MSCT	Corner Table • Connects 2 units • Number of tables per arrangement • Plastic laminate with vinyl bullnose edge • For mounting modular units at a 90° angle • Two required for U-shaped configuration • One required for L-shaped configuration	TCT	<input type="checkbox"/> <input type="checkbox"/>	<input type="checkbox"/> <input type="checkbox"/> <input type="checkbox"/>	<input type="checkbox"/> <input type="checkbox"/> <input type="checkbox"/>	14.00#	\$ 802
AC901	Back Ganging Bar • Connects 2 units back-to-back • Powder coated to match base • Sold in pairs	DOP.GANG	<input type="checkbox"/> <input type="checkbox"/>			8.00#	\$ 268

A **B** **C** **D**

HOW TO ORDER

- Indicate the following information on order form:
- Quantity of each item.
 - Model number, including options. See "How To Build a Model Number".
 - Any special service required.

Note:

- The indicates that a choice is required.
- The absence of the indicates that no choice is required.
- Alpha-numeric characters in place of indicate that no other alternatives are available.

HOW TO BUILD A MODEL NUMBER

- A** Select basic model.
- B** Select frame color.
Refer to the **Product Color Options** page in this price list.
- C** Select surface finish for table.
Refer to the **Product Color Options** page in this price list.
- D** Select table edge color.
Refer to the **Product Color Options** page in this price list.

SPECIAL SERVICES

Special Carton Marking

With specially marked information N/C

Shipping
Ships **knocked down, FOB Green Bay, WI 54302, freight prepaid.** Freight class 70.

Specifications and prices are subject to change without prior notice.



1330 BELLEVUE STREET
GREEN BAY, WI 54302
800.424.2432 / KI.COM

KI is a trusted expert for furniture and wall systems around the globe.
USA | CANADA | MEXICO | UK | EUROPE | ASIA | MIDDLE EAST
© 2026 Krueger International, Inc. All Rights Reserved.