



# OATH<sup>®</sup> SEATING

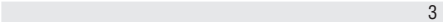
---

## PRICE LIST

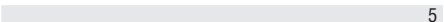
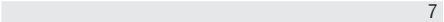
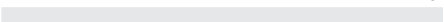
EFFECTIVE FEBRUARY 25, 2026  
800.424.2432



---

<b>Ordering COM</b>		
Information		3

---

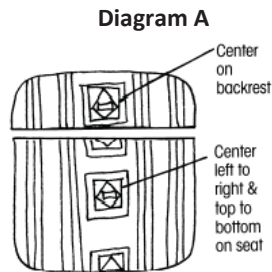
<b>Oath™</b>		
General Information		4
General Information		5
Product Color Options		6
Task Chairs		7
Task Stools		8



## How to Specify

As a standard procedure, KI applies seating upholstery as swatched by the textile distributor. Reference distributor's website. Upholstery that is required to be applied differently than is swatched, will need a Product Modification Request written specifying the direction the upholstery is to be applied.

Seating upholstery requiring specific positioning of intricate patterns or patterns repeats on seats and backrests, will need a Product Modification Request written including a sketch noting the specific requirements, as in Diagram A.



When directional or patterned fabrics are used, they often require more yardage than solid colors.

C.O.M. must be supplied in continuous yardage.

C.O.M. yardage requirements accompanying products in the pricing section are for 10 chairs/seats or less, 54" wide nondirectional material. On larger orders, less material is required.

Leather hides must be a minimum of 50 square feet of usable material. The outer edges cannot be calculated as square feet or yardage. To determine square footage, multiply unit yardage by 18 square feet to obtain the total square footage required per unit.

For exact production yardage requirements, call 1-800-424-2432, ext. 2707.

## Production

Customer's upholstery must be approved prior to acceptance for production.

C.O.M. not received into the appropriate facility 3 weeks prior to acknowledged delivery date may go on hold. See KI C.O.M. Shipping Location listing for the correct facility address by product.

## Testing

When KI requires testing, actual yardage to upholster one chair may be required. The C.O.M. Specialist will confirm model and fabric testing requirements when applicable.

Approved test samples will be applied to the order or will be held for 6 months. After 6 months, the sample will no longer be applied to your order. For all product testing, send fabric samples to the manufacturing facility. See KI C.O.M. Shipping Location listing for the correct facility address by product.

All C.O.M. must be labeled with the KI product order number and customer purchase order number.

## Treated Materials

If C.O.M. requires processing such as a stain resistance treatment or acrylic backing, it may shrink. To prevent delays in delivery or back ordering due to shrinkage, please have your processor verify measurement after processing and assure adequate yardage shipped.

## Split Orders

If a portion of the shipment which does not require C.O.M. application is to be processed and shipped early, KI will enter the order immediately at your request. These split shipments are subject to minimum order changes.

## Excess Upholstery Material

KI will dispose of excess upholstery material at the time of shipment unless expressly requested to return it with the product shipment.

## Cancelled or Changed Orders

KI assumes no responsibility for extra C.O.M. due to a change of upholstery or cancellation of an order. If it the customer's responsibility to arrange for return of the material.

Contact the C.O.M. Specialist at 1-800-424-2432, ext. 2707, with questions or to request a split order.

## C.O.M. SHIPPING LOCATION

<b>Architectural Walls</b> Evoke..... MN Genius..... MN  <b>Casegoods</b> Aristotle.....MN Likha.....MN  <b>Classroom Furniture</b> Cogni ..... GB Intellect Wave ..... GB Learn2.....GB Ruckus..... GB  <b>Desking</b> 700 Series ..... KP Balance ..... MN Genesis ..... MN True ..... KP Universal ..... MN WorkZone ..... MN  <b>Files &amp; Storage</b> 700 Series..... GB Connection .....BW U-Series ..... GB Tattoo.....BW  <b>Fixed Seating</b> Concerto.....BW Single Pedestal ..... GB Jury Base ..... GB Lancaster.....BW Sequence ..... GB University ..... GB	<b>Panel Systems</b> All Terrain..... KP Balance ..... MN Universal ..... MN Wireworks ..... MN Unite..... MN  <b>Residence Hall Furniture</b> RoomScope ..... MN  <b>Screens</b> All Terrain..... KP Connection Zone.....BW Tributaire.....BW True/Volition ..... KP Genesis ..... KP Tattoo..... MN Universal..... BW  <b>Seating</b> 600 Series.....BW Affina ..... HN Altus ..... GB Apply ..... GB Calida ..... HN Cascha ..... VT Civara ..... VT Clamber ..... HN Cogni ..... GB Diem ..... OM Doni ..... GB Gladly ..... VQ Grazie ..... GB Hub ..... HN Impress ..... OM	Impress Ultra ..... OM Intellect Wave ..... GB Jessa ..... HN Jubilee ..... VQ Katera..... GB Kurv Benches..... HN Learn2.....GB LimeLite..... GB Lyra ..... HN Medical & Laboratory Stools..... OM MyPlace ..... HN MyWay ..... HN Oath ..... GB Opt4 ..... GB Pilot ..... OM Promenade..... BW Ruckus..... GB Sela ..... HN Sift ..... GB Signia..... OM Soltice Metal ..... HN Soltice..... HN Sonrisa ..... HN Strive..... GB Sway ..... BW Tattoo..... HN Torsion-on-the-Gol ..... GB Torsion Air ..... GB Zeker ..... HN Zentori ..... VT Zoetry ..... HN
---	---	---



## KI C.O.M. Manufacturing Site Addresses:

<b>BW</b> KI Bonduel Attn: COM Storage 204 West South St. Bonduel, WI 54107	<b>HN</b> KI High Point Attn: COM Storage 217 Feld Avenue High Point, NC 27263	<b>MN</b> KI Manitowoc Attn: COM Storage 1400 S. 41st St. Manitowoc, WI 54220	<b>VQ</b> KI Attn: COM Fabrics 6892 Marlin Circle La Palma, CA 90623
<b>GB</b> KI Green Bay Attn: COM Storage 1687 Westminster Drive - Gate 3 Green Bay, WI 54302	<b>KP</b> KI Pembroke Attn: COM Storage 1000 Olympic Dr. Pembroke, Ontario K8A6X7	<b>OM</b> KI Attn: COM Storage 1110 S. Mildred Ave. Ontario, CA 91761	<b>VT</b> KI Attn: COM Storage 2803 South Taylor Drive Sheboygan, WI 53081



Armless Task Chair  
(OH84QO)



Arm Task Chair  
(OH84QB)

Features		
Self-weighting (weight-activated) mechanism	•	•
Height adjustable arms		•
Black nylon base	•	•
300 lb weight rating	•	•
Black or Cool Grey Mesh Back	•	•
General Dimensions		
Seat width	20"	20"
Seat depth	19"	19"
Seat height	16-1/2" - 21"	16-1/2" - 21"
Back width	18"	18"
Back height (above seat)	23"	23"
Inside arm distance		19 1/2"
Arm height (from floor)		23-1/2" - 30-1/2"
Overall Dimensions		
Width	27-1/2"	27-1/2"
Depth	26"	26"
Height	39-1/2" - 44"	39-1/2" - 44"
Base	26" DIA	26" DIA



Armless Task Stool  
(OH94QO)



Arm Task Stool  
(OH94QB)

Features		
Self-weighting (weight-activated) mechanism	•	•
Height adjustable arms		•
Black nylon base	•	•
300 lb weight rating	•	•
Black or Cool Grey Mesh Back	•	•
General Dimensions		
Seat width	20"	20"
Seat depth	19"	19"
Seat height	22-1/2" - 30"	22-1/2" - 30"
Back width	18"	18"
Back height (above seat)	23"	23"
Inside arm distance		19 1/2"
Arm height (from floor)		29-1/2" - 39-1/2"
Overall Dimensions		
Width	27-1/2"	27-1/2"
Depth	26"	26"
Height	45-1/2" - 53"	45-1/2" - 53"
Base	26" DIA	26" DIA

## INFORMATION

### C.O.M. Testing and Production Requirements

Not all materials are suitable for upholstering this product. A 1 yd. x 54" sample must be submitted and approved prior to acceptance of an order. If the fabric is directional in pattern or weave, the direction must be indicated on the submitted sample, and additional yardage may be requested.

Test sample must be sent to:

KI  
Attn: C.O.M. Storage  
1687 Westminster Drive - Gate 3  
Green Bay, WI 54302

### Fabric Disclaimer

Fabric will be applied as swatched by the fabric manufacturer. Fabric that is required to be applied differently than is swatched will need a Product Modification Request written specifying the direction the fabric is to be applied.

## INFORMATION

### Warranty

Refer to KI Terms & Conditions document or visit [ki.com](http://ki.com)

## TECHNICAL SPECIFICATIONS

### Mechanism

A weight-activated mechanism passively adjusts backrest tilt tension based on occupant weight. The mechanism is made of stamped steel with a black plastic trim cover. One lever operates the height-adjust cylinder and a second lever allows the backrest tilt mechanism to move freely, or locks it in one of four positions.

### Seat

Plywood seat board with molded urethane foam is upholstered using a drawstring method and finished with a black plastic under-shroud.

### Backrest

Reinforced black nylon frame with mesh insert.

### Base

Available in an injection-molded, glass-reinforced black nylon 5-blade base or a polished die-cast aluminum 5-blade base.

### Casters

Casters are 50mm O.D., double-wheel high-impact thermoplastic, available with hard or soft wheel surface. Only available in black.

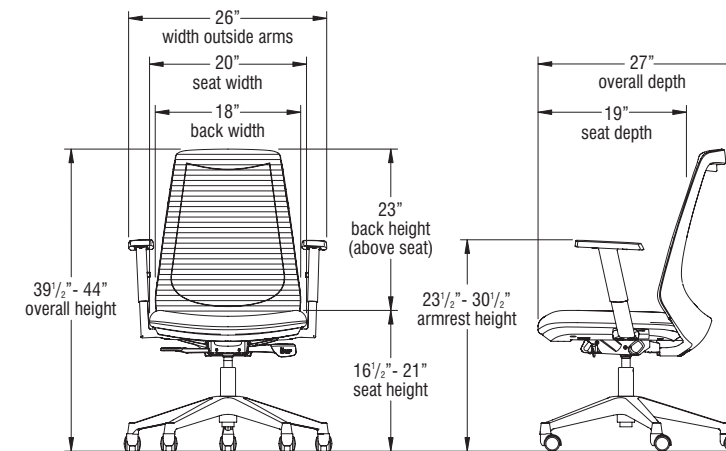
### Arms

Optional height-adjustable arms are molded in black reinforced plastic with molded black polyurethane arm caps. Armrests mount directly to the seat board.

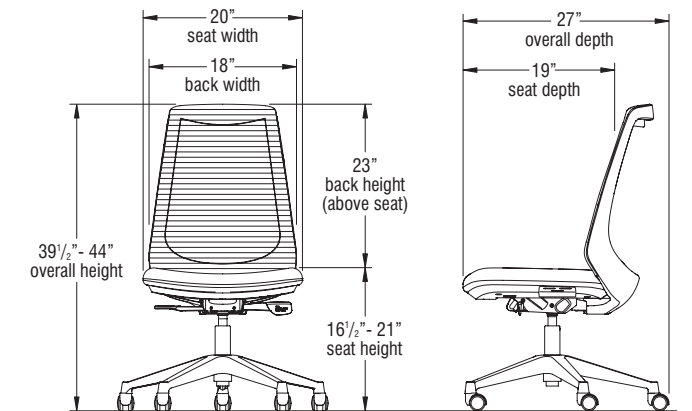
### Foot Ring

Task stools are equipped with a twist-to-lock, adjustable-height, 20" diameter chrome-plated steel foot ring with black, die-cast aluminum hub and spokes.

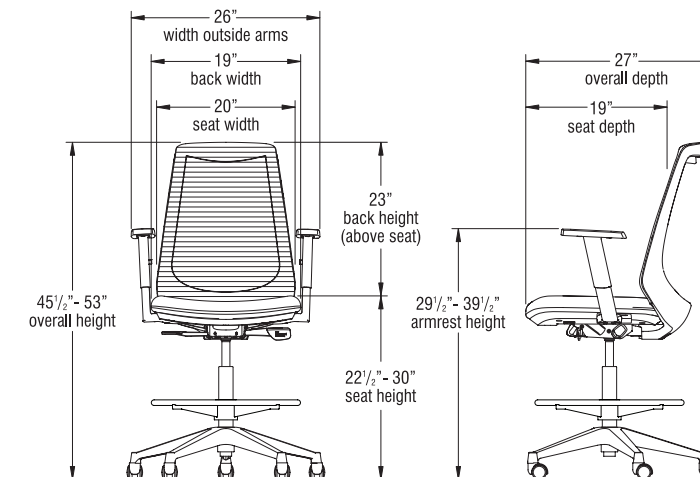
Oath Task Armchair



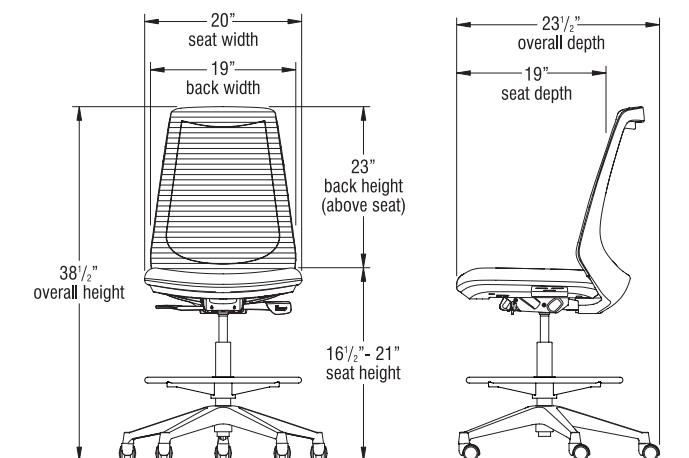
Oath Task Armless Chair



Oath Task Arm Stool



Oath Task Armless Stool



Oath Task Chairs



Oath Task Stools







**Back Mesh Color**

Cool Grey	OMCG
Black	OMBL

**Base Finish**

Aluminum base	A
Black plastic base	P

Polished Aluminum requires an upcharge.

MODEL	MODEL NUMBER					Approx. Packaged Weight	Delivered Pricing Fabric Grade 1 & C.O.M.	Delivered Pricing Fabric Grade 2	Delivered Pricing Fabric Grade 3 & Group 2V Vinyl	Delivered Pricing Pallas Fabric Group P0	Delivered Pricing Pallas Fabric Group P1	Delivered Pricing Pallas Fabric Group P2	Delivered Pricing Pallas Fabric Group P3	Delivered Pricing Pallas Fabric Group P4
	Basic Model	Base Finish	Caster Type	Mesh Color	Upholstery Color									
 <p><b>Armless Task Chair</b></p> <ul style="list-style-type: none"> <li>• Self-weighting (weight-activated) mechanism</li> <li>• Mesh backrest</li> <li>• Upholstered seat</li> </ul>	OH84Q0	<input type="checkbox"/>	<input type="checkbox"/>	<input type="checkbox"/>	<input type="checkbox"/>	31.00#	\$ 697	\$ 712	\$ 722	\$ 760	\$ 816	\$ 847	\$ 877	\$ 911
OH84														
 <p><b>Arm Task Chair</b></p> <ul style="list-style-type: none"> <li>• Self-weighting (weight-activated) mechanism</li> <li>• Mesh backrest</li> <li>• Upholstered seat</li> <li>• Height adjustable arms</li> </ul>	OH84QB	<input type="checkbox"/>	<input type="checkbox"/>	<input type="checkbox"/>	<input type="checkbox"/>	32.50#	\$ 843	\$ 859	\$ 868	\$ 907	\$ 960	\$ 991	\$ 1022	\$ 1058
OH84														
	<b>A</b>	<b>B</b>	<b>C</b>	<b>D</b>	<b>E</b>									

**HOW TO ORDER**

- Indicate the following information on order form:
1. Quantity of each item.
  2. Model number, including options. See "How To Build a Model Number".
  3. Any special service required.

- Note:
- The  indicates that a choice is required.
  - The absence of the  indicates that no choice is required.
  - Alpha-numeric characters in place of  indicate that no other alternatives are available.

**HOW TO BUILD A MODEL NUMBER**

- A** Select basic model.
- B** Select base finish.
- |          |                            |
|----------|----------------------------|
| <b>P</b> | - Black plastic base       |
| <b>A</b> | - Aluminum base; add \$128 |
- C** Select caster option.
- |           |                      |
|-----------|----------------------|
| <b>SC</b> | - Hard floor casters |
| <b>CC</b> | - Carpet casters     |
- D** Select backrest mesh color.  
Refer to [ki.com/fabrics](http://ki.com/fabrics)
- E** Select upholstery grade/color.  
Refer to [ki.com/fabrics](http://ki.com/fabrics)

**UPHOLSTERY INFORMATION****C.O.M. Upholstery**

C.O.M. requirement for less than 10 chairs is 1 yard of 54" wide nondirectional fabric. For orders of 10 or more chairs, the requirement is 1/2 yard. For complete information on ordering C.O.M, see "Ordering Customer's Own Material (C.O.M) Upholstery." section.

**SPECIAL SERVICES****Special Carton Marking**



With specially marked information N/C

**Shipping**

Ships **assembled, FOB Green Bay, WI 54302, freight prepaid.** Freight class 250.

Specifications and prices are subject to change without prior notice.



MODEL	MODEL NUMBER					Approx. Packaged Weight	Delivered Pricing Fabric Grade 1 & C.O.M.	Delivered Pricing Fabric Grade 2	Delivered Pricing Fabric Grade 3 & Group 2V Vinyl	Delivered Pricing Pallas Fabric Group P0	Delivered Pricing Pallas Fabric Group P1	Delivered Pricing Pallas Fabric Group P2	Delivered Pricing Pallas Fabric Group P3	Delivered Pricing Pallas Fabric Group P4
	Basic Model	Base Finish	Caster Type	Mesh Color	Upholstery Color									
 <b>OH94</b> <b>Armless Task Stool</b> • Self-weighting (weight-activated) mechanism • Black or Cool Grey Mesh backrest • Upholstered seat • Height-adjustable 18" foot ring • Seat height range of 22.5" - 30"	OH94Q0	<input type="checkbox"/>	<input type="checkbox"/>	<input type="checkbox"/>	<input type="checkbox"/>	35.00#	\$ 843	\$ 859	\$ 868	\$ 907	\$ 960	\$ 991	\$ 1022	\$ 1058
 <b>OH94</b> <b>Arm Task Stool</b> • Self-weighting (weight-activated) mechanism • Black or Cool Grey Mesh backrest • Upholstered seat • Height-adjustable arms • Height-adjustable 18" foot ring • Seat height range of 22.5" - 30"	OH94QB	<input type="checkbox"/>	<input type="checkbox"/>	<input type="checkbox"/>	<input type="checkbox"/>	36.50#	\$ 988	\$ 1005	\$ 1013	\$ 1051	\$ 1106	\$ 1137	\$ 1170	\$ 1202

**A**   **B**   **C**   **D**   **E**

**HOW TO ORDER**

- Indicate the following information on order form:
- Quantity of each item.
  - Model number, including options. See "How To Build a Model Number".
  - Any special service required.

Note:

- The  indicates that a choice is required.
- The absence of the  indicates that no choice is required.
- Alpha-numeric characters in place of  indicate that no other alternatives are available.

**HOW TO BUILD A MODEL NUMBER**

- A** Select basic model.
- B** Select base finish.
  - P** - Black plastic base
  - A** - Aluminum base; add \$128
- C** Select caster option.
  - SC** - Hard floor casters
  - CC** - Carpet casters
- D** Select backrest mesh color. Refer to [ki.com/fabrics](http://ki.com/fabrics)
- E** Select upholstery grade/color. Refer to [ki.com/fabrics](http://ki.com/fabrics)

**UPHOLSTERY INFORMATION**

**C.O.M. Upholstery**  
 C.O.M. requirement for less than 10 chairs is 1 yard of 54" wide nondirectional fabric. For orders of 10 or more chairs, the requirement is 1/2 yard. For complete information on ordering C.O.M, see "Ordering Customer's Own Material (C.O.M) Upholstery." section.

**SPECIAL SERVICES**

**Special Carton Marking**

With specially marked information    N/C

**Shipping**  
 Ships assembled, FOB Green Bay, WI 54302, freight prepaid. Freight class 250.

Specifications and prices are subject to change without prior notice.



1330 BELLEVUE STREET  
GREEN BAY, WI 54302  
800.424.2432 / KI.COM

KI is a trusted expert for furniture and wall systems around the globe.  
USA | CANADA | MEXICO | UK | EUROPE | ASIA | MIDDLE EAST  
© 2026 Krueger International, Inc. All Rights Reserved.