



# OPT4<sup>®</sup> SEATING

---

PRICE LIST

EFFECTIVE FEBRUARY 25, 2026  
800.424.2432



---

<b>Ordering Customer's Own Material (C.O.M.) Upholstery</b>	
Information	3

---

<b>Opt4®</b>	
General Information	4
Technical Specifications	8
Product Color Options	12

---

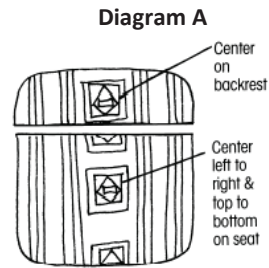
<b>Opt4®</b>	
Four-Leg	13
High Density Chair	17
Cafe Stools	18
Cupholder	19
Dolly	20



## How to Specify

As a standard procedure, KI applies seating upholstery as swatched by the textile distributor. Reference distributor's website. Upholstery that is required to be applied differently than is swatched, will need a Product Modification Request written specifying the direction the upholstery is to be applied.

Seating upholstery requiring specific positioning of intricate patterns or patterns repeats on seats and backrests, will need a Product Modification Request written including a sketch noting the specific requirements, as in Diagram A.



When directional or patterned fabrics are used, they often require more yardage than solid colors.

C.O.M. must be supplied in continuous yardage.

C.O.M. yardage requirements accompanying products in the pricing section are for 10 chairs/seats or less, 54" wide nondirectional material. On larger orders, less material is required.

Leather hides must be a minimum of 50 square feet of usable material. The outer edges cannot be calculated as square feet or yardage. To determine square footage, multiply unit yardage by 18 square feet to obtain the total square footage required per unit.

For exact production yardage requirements, call 1-800-424-2432, ext. 2707.

## Production

Customer's upholstery must be approved prior to acceptance for production.

C.O.M. not received into the appropriate facility 3 weeks prior to acknowledged delivery date may go on hold. See KI C.O.M. Shipping Location listing for the correct facility address by product.

## Testing

When KI requires testing, actual yardage to upholster one chair may be required. The C.O.M. Specialist will confirm model and fabric testing requirements when applicable.

Approved test samples will be applied to the order or will be held for 6 months. After 6 months, the sample will no longer be applied to your order. For all product testing, send fabric samples to the manufacturing facility. See KI C.O.M. Shipping Location listing for the correct facility address by product.

All C.O.M. must be labeled with the KI product order number and customer purchase order number.

## Treated Materials

If C.O.M. requires processing such as a stain resistance treatment or acrylic backing, it may shrink. To prevent delays in delivery or back ordering due to shrinkage, please have your processor verify measurement after processing and assure adequate yardage shipped.

## Split Orders

If a portion of the shipment which does not require C.O.M. application is to be processed and shipped early, KI will enter the order immediately at your request. These split shipments are subject to minimum order changes.

## Excess Upholstery Material

KI will dispose of excess upholstery material at the time of shipment unless expressly requested to return it with the product shipment.

## Cancelled or Changed Orders

KI assumes no responsibility for extra C.O.M. due to a change of upholstery or cancellation of an order. If it the customer's responsibility to arrange for return of the material.

Contact the C.O.M. Specialist at 1-800-424-2432, ext. 2707, with questions or to request a split order.

## C.O.M. SHIPPING LOCATION

<b>Architectural Walls</b> Evoke..... MN Genius..... MN  <b>Casegoods</b> Aristotle.....MN Likha.....MN  <b>Classroom Furniture</b> Cogni ..... GB Intellect Wave ..... GB Learn2.....GB Ruckus..... GB  <b>Desking</b> 700 Series ..... KP Balance ..... MN Genesis ..... MN True ..... KP Universal ..... MN WorkZone ..... MN  <b>Files &amp; Storage</b> 700 Series..... GB Connection .....BW U-Series..... GB Tattoo.....BW  <b>Fixed Seating</b> Concerto.....BW Single Pedestal ..... GB Jury Base ..... GB Lancaster.....BW Sequence ..... GB University ..... GB	<b>Panel Systems</b> All Terrain..... KP Balance ..... MN Universal ..... MN Wireworks ..... MN Unite..... MN  <b>Residence Hall Furniture</b> RoomScope ..... MN  <b>Screens</b> All Terrain..... KP Connection Zone.....BW Tributaire.....BW True/Volition ..... KP Genesis..... KP Tattoo..... MN Universal.....BW  <b>Seating</b> 600 Series..... BW Affina ..... HN Altus ..... GB Apply ..... GB Calida ..... HN Cascha ..... VT Civara ..... VT Clamber ..... HN Cogni ..... GB Diem ..... OM Doni ..... GB Gladly ..... VQ Grazie ..... GB Hub ..... HN Impress ..... OM	Impress Ultra ..... OM Intellect Wave ..... GB Jessa ..... HN Jubilee ..... VQ Katera..... GB Kurv Benches..... HN Learn2..... GB LimeLite..... GB Lyra ..... HN Medical & Laboratory Stools..... OM MyPlace ..... HN MyWay ..... HN Oath ..... GB Opt4 ..... GB Pilot ..... OM Promenade..... BW Ruckus..... GB Sela ..... HN Sift ..... GB Signia..... OM Soltice Metal ..... HN Soltice..... HN Sonrisa ..... HN Strive..... GB Sway ..... BW Tattoo..... HN Torsion-on-the-Go! ..... GB Torsion Air ..... GB Zeker ..... HN Zentori ..... VT Zoetry..... HN
--	--	---

## KI C.O.M. Manufacturing Site Addresses:

<b>BW</b> KI Bonduel Attn: COM Storage 204 West South St. Bonduel, WI 54107	<b>HN</b> KI High Point Attn: COM Storage 217 Feld Avenue High Point, NC 27263	<b>MN</b> KI Manitowoc Attn: COM Storage 1400 S. 41st St. Manitowoc, WI 54220	<b>VQ</b> KI Attn: COM Fabrics 6892 Marlin Circle La Palma, CA 90623
<b>GB</b> KI Green Bay Attn: COM Storage 1687 Westminster Drive - Gate 3 Green Bay, WI 54302	<b>KP</b> KI Pembroke Attn: COM Storage 1000 Olympic Dr. Pembroke, Ontario K8A6X7	<b>OM</b> KI Attn: COM Storage 1110 S. Mildred Ave. Ontario, CA 91761	<b>VT</b> KI Attn: COM Storage 2803 South Taylor Drive Sheboygan, WI 53081



Four-Leg Chair, Mesh Seat  
(O4LNAMSMB and O4LNAMSPB)



Four-Leg Chair, Poly Seat  
(O4LNAPSMB and O4LNAPSPB)



Four-Leg Chair, Upholstered Seat  
(O4LNAUSMB and O4LNAUSPB)

Features			
Stackable	•	•	•
Mesh, poly, or upholstered seat and back	•	•	•
General Dimensions			
Seat width	17-1/2"	17-1/2"	17-1/2"
Seat depth	17-3/4"	17-3/4"	17-3/4"
Seat height	17-3/4"	17-3/4"	18-1/2"
Overall Dimensions			
Width	20-1/2"	20-1/2"	20-1/2"
Depth	21-13/16"	21-13/16"	21-13/16"
Height	32-3/16"	32-3/16"	33"
Stacking on dolly			
Overall width	22-1/2"	22-1/2"	22-1/2"
Overall depth	37"	37"	37"
Quantity/height	15 Chairs/68" High	15 Chairs/68" High	15 Chairs/68" High
Stacking on floor			
Quantity/height	6 Chairs/43-1/2" High	6 Chairs/43-1/2" High	6 Chairs/43-1/2" High



Four-Leg Arm Chair, Mesh Seat  
(O4LWAMSMB and O4LWAMSPB)



Four-Leg Arm Chair, Poly Seat  
(O4LWAPSMB and O4LWAPSPB)



Four-Leg Arm Chair, Upholstered Seat  
(O4LWAUSMB and O4LWAUSPB)

Features			
Stackable	•	•	•
Mesh, poly, or upholstered seat and back	•	•	•
General Dimensions			
Seat width	17-1/2"	17-1/2"	17-1/2"
Seat depth	17-3/4"	17-3/4"	17-3/4"
Seat height	17-3/4"	17-3/4"	18-1/2"
Overall Dimensions			
Width	24-5/8"	24-5/8"	24-5/8"
Depth	21-13/16"	21-13/16"	21-13/16"
Height	32-3/16"	32-3/16"	33"
Stacking on dolly			
Overall width	22-1/2"	22-1/2"	22-1/2"
Overall depth	37"	37"	37"
Quantity/height	15 Chairs/68" High	15 Chairs/68" High	15 Chairs/68" High
Stacking on floor			
Quantity/height	6 Chairs/43-1/2" High	6 Chairs/43-1/2" High	6 Chairs/43-1/2" High

#### Stacking Vinyl, Polyurethane, and Imitation Leather Upholstered Chairs

If stacking frequently and for long periods of time, it is recommended that upholstery other than vinyl, polyurethane or imitation leather be used to avoid impressions in the seat cushion. KI does not warrant the effects of stacking on stock or COM vinyl, polyurethane or imitation leather upholstery.

#### INFORMATION

**Warranty**  
Refer to KI Terms & Conditions document or visit [ki.com](http://ki.com)



Four-Leg Chair with Casters, Mesh Seat  
(O4LNAMSMBC and O4LNAMSPBC)



Four-Leg Chair with Casters, Poly Back  
(O4LNAPSMBC and O4LNAPSPBC)



Four-Leg Chair with Casters, Upholstered  
Seat (O4LNAUSMBC and O4LNAUSPBC)

Features			
Stackable	•	•	•
Mesh, poly, or upholsterd seat and back	•	•	•
General Dimensions			
Seat width	17-1/2"	17-1/2"	17-1/2"
Seat depth	17-3/4"	17-3/4"	17-3/4"
Seat height	17-3/4"	17-3/4"	18-1/2"
Overall Dimensions			
Width	20-1/2"	20-1/2"	20-1/2"
Depth	21-13/16"	21-13/16"	21-13/16"
Height	32-3/16"	32-3/16"	33"
Stacking on floor			
Quantity/height	6 Chairs/43-1/2" High	6 Chairs/43-1/2" High	6 Chairs/43-1/2" High



Four-Leg Arm Chair with Casters, Mesh  
Seat (O4LWAMSMBC and O4LWAMSPBC)



Four-Leg Arm Chair with Casters, Poly Seat  
(O4LWAPSMBC and O4LWAPSPBC)



Four-Leg Arm Chair with Casters, Upholstered  
Seat (O4LWAUSMBC and O4LWAUSPBC)

Features			
Stackable	•	•	•
Mesh, poly, or upholstered seat and back	•	•	•
General Dimensions			
Seat width	17-1/2"	17-1/2"	17-1/2"
Seat depth	17-3/4"	17-3/4"	17-3/4"
Seat height	17-3/4"	17-3/4"	18-1/2"
Overall Dimensions			
Width	24-5/8"	24-5/8"	24-5/8"
Depth	21-13/16"	21-13/16"	21-13/16"
Height	32-3/16"	32-3/16"	33"
Stacking on floor			
Quantity/height	6 Chairs/43-1/2" High	6 Chairs/43-1/2" High	6 Chairs/43-1/2" High

#### Stacking Vinyl, Polyurethane, and Imitation Leather Upholstered Chairs

If stacking frequently and for long periods of time, it is recommended that upholstery other than vinyl, polyurethane or imitation leather be used to avoid impressions in the seat cushion. KI does not warrant the effects of stacking on stock or COM vinyl, polyurethane or imitation leather upholstery.

#### INFORMATION

**Warranty**  
Refer to KI Terms & Conditions document or visit  
ki.com



High Density Stack Chair, Mesh Seat  
(04MSMB and 04MSPB)



High Density Stack Chair, Poly Seat  
(04PSMB and 04PSPB)



High Density Stack Chair, Upholstered Seat  
(04USMB and 04USPB)



Cafe Stool, Mesh Seat  
(04SMSMB and 04SMSPB)



Cafe Stool, Poly Seat  
(04SPSMB and 04SPSPB)



Cafe Stool, Upholstered Seat  
(04SUSMB and 04SUSPB)

Features			
Stackable	•	•	•
Ganging	•	•	•
Mesh, poly, or upholstered seat and back	•	•	•
General Dimensions			
Seat width	17-1/2"	17-1/2"	17-1/2"
Seat depth	17-3/4"	17-3/4"	17-3/4"
Seat height	17-3/4"	17-3/4"	18-1/2"
Overall Dimensions			
Width	19-3/4"	19-3/4"	19-3/4"
Depth	21-13/16"	21-13/16"	21-13/16"
Height	32-3/16"	32-3/16"	33"
Stacking on dolly			
Overall width	22-3/8"	22-3/8"	22-1/2"
Overall depth	38-1/4"	38-1/4"	37"
Quantity/height	38 Chairs/80" High	38 Chairs/80" High	20 Chairs/69" High
Stacking on floor			
Quantity/height	10 Chairs/40-1/4" High	10 Chairs/40-1/4" High	5 Chairs/40-1/2" High

Features			
Stackable	•	•	•
Ganging	•	•	•
Mesh, poly, or upholstered seat and back	•	•	•
General Dimensions			
Seat width	17-1/2"	17-1/2"	17-1/2"
Seat depth	17-3/4"	17-3/4"	17-3/4"
Seat height	24" / 30"	24" / 30"	24" / 30"
Overall Dimensions			
Width	20-1/8"	20-1/8"	20-1/8"
Depth	23"	23"	23"
Height - 24"	33-5/16"	33-5/16"	33-5/16"
Height - 30"	44-3/16"	44-3/16"	44-3/16"
Stacking on dolly			
Overall width	24"	24"	24"
Overall depth	52"	52"	55"
Quantity/height - 24"	26 Stools/74"H	26 Stools/74"H	10 Stools/74" H
Quantity/height - 30"	26 Stools/80"H	26 Stools/80"H	10 Stools/80" H
Stacking on floor			
Quantity/height - 24"	8 Stools/45" H	8 Stools/45" H	4 Stools/37" H
Quantity/height - 30"	8 Stools/51" H	8 Stools/51" H	4 Stools/43" H



Transport Dolly for All Four-leg Chairs  
(04LD.BL)



Transport Dolly for High Density  
Chairs with Poly or Mesh Seats  
(04DA.BL)



Transport Dolly for High Density  
Chairs with Upholstered Seat  
(04DAU.BL)



Transport Dolly for All Cafe Stools  
(04SD.BL)

Overall Dimensions				
Width	22-1/2"	22-3/8"	22"	22-3/8"
Depth	26-1/8"	32"	30-1/4"	25-5/8"
Height	15-1/2"	16-3/4"	21-3/8"	14"
Quantity/height	15 Chairs/68" High	38 Chairs/80" High	20 Chairs/69" High	See specifications chart



## Opt4® 4-Leg Armchair or Armless Chair with Glides or Casters

March 2020

### TECHNICAL SPECIFICATIONS

#### 4-Leg Glide & Caster Frames

Frame is fabricated from 7/8" O.D. by 17-gauge tubular steel. All joints are welded.

#### Optional Upholstered Seat

Upholstered seat pad consists of an injection molded polypropylene liner board, 1/2" thick urethane slab foam and an upholstery covering, all held together with a draw-string process. Upholstered seat pad is attached to the seat with eight screws that extend through the seat and are screwed into poly bosses that are molded in the liner board.

#### Seat and Back

Seat and back are available in six combinations of mesh or polypropylene backrests and mesh, polypropylene or upholstered seats. Polypropylene frame and mesh are monochromatic. Poly backrest models have an integral handle. Mesh material is made from 100% post-consumer PET bottles. All resin parts (backrest, seat, and glides) are 100% recycled polypropylene.

#### Arms

Optional armrests are available. When equipped with arms, a formed steel tube 7/8" OD by 17-gauge tubular steel is welded directly to the chair frame. Arm caps are polypropylene material.

#### Casters/Glides

Glides are molded from nylon with glass fill. Glides are Stone Grey or Black in color. 4-Leg chairs may be ordered with casters instead of glides. Casters are 50 mm diameter, double-wheel high-impact thermoplastic, available with hard or soft wheel surface, in Black only.

#### Frame Finishes

Frames are finished in either baked-on electrostatically-applied 30-degree gloss epoxy powder-coat paint, or bright nickel-chrome plating.

#### Transport Dolly

Frame construction is welded tubular steel with black powder-coated finish and 5" wheels (two swivel and two fixed).

## Opt4® High-Density Sled Base Stack Chair & Stool

November 2020

### TECHNICAL SPECIFICATIONS

#### Sled Base Frame

Frame and cross members are fabricated from 1/2" O.D. by 16-gauge tubular steel. All joints are welded. Stools are available in two heights (24" and 30"), and have footrest made of 1/2" O.D. by 16-gauge tubular steel.

#### Optional Upholstered Seat

Upholstered seat pad consists of an injection molded polypropylene liner board, 1/2" thick urethane slab foam and an upholstery covering, all held together with a draw-string process. Upholstered seat pad is attached to the seat with eight screws that extend through the seat and are screwed into poly bosses that are molded in the liner board.

#### Seat and Back

Seat and back are available in six combinations of mesh or polypropylene backrests and mesh, polypropylene or upholstered seats. Mesh material is made from 100% post-consumer PET bottles. All resin parts (backrest and seat) are 100% recycled polypropylene.

#### Glides

Frames are available with either nylon, steel, felt or PVC/non-skid glides. Nylon glides are available with or without integral ganging clips. Nylon glides are Stone Grey. PVC/non-skid glides are Black. Steel glides have a stainless steel cap that fits over a non-ganging nylon glide. Felt glides have a replaceable (snap-fit) felt cap that is black nylon with a neutral-colored felt. All glides are attached with one screw.

#### Frames and Finishes

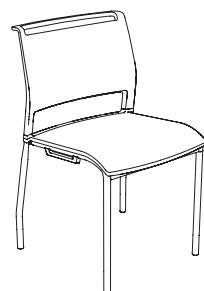
Frames are finished in either baked-on electrostatically-applied powder-coat paint or bright nickel-chrome plating.

#### Transport Dolly

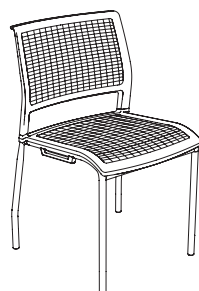
Powder-coated tubular steel frame. Two swivel casters and two fixed casters.



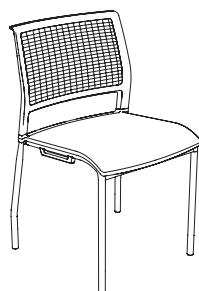
Opt 4 4-Leg Armless Chairs with Glides



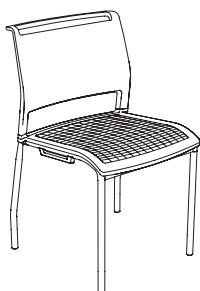
O4LNAPSPB



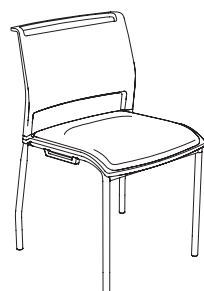
O4LNAMSMB



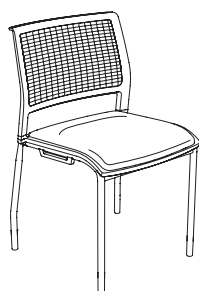
O4LNAPSMB



O4LNAMSPB



O4LNAUSPB

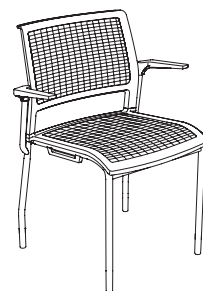


O4LNAUSMB

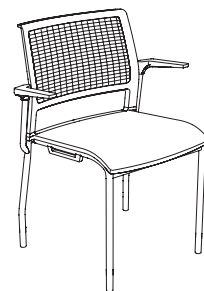
Opt 4 4-Leg Armchairs with Glides



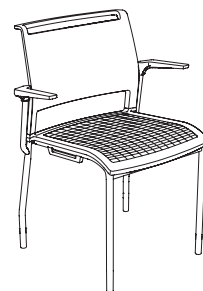
O4LWAPSPB



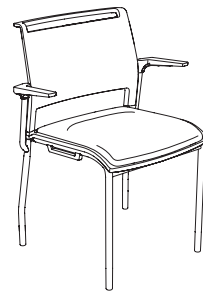
O4LWAMSMB



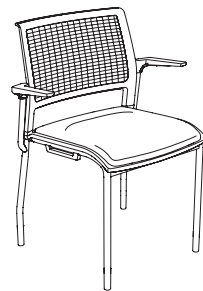
O4LWAPSMB



O4LWAMSPB

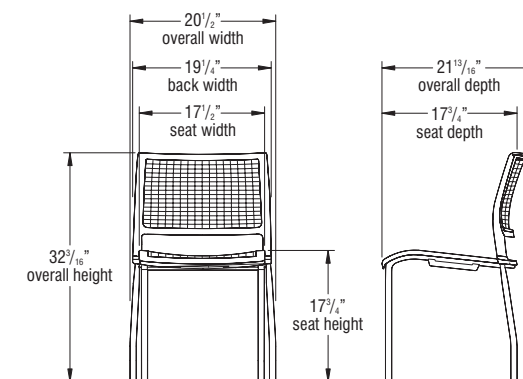


O4LWAUSPB

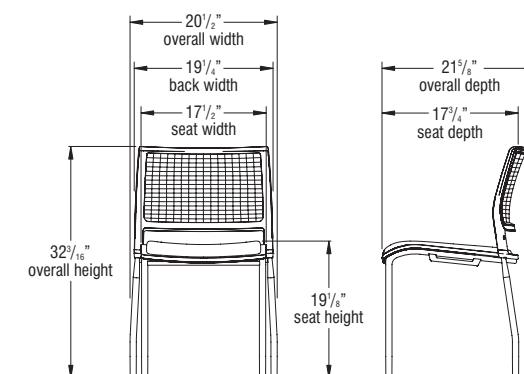


O4LWAUSMB

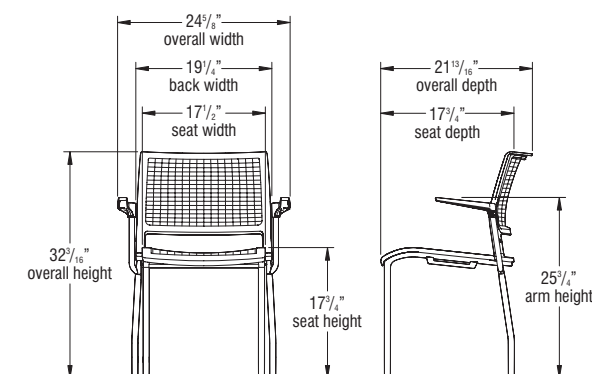
Opt4 4-Leg Armless Chair with Glides - Mesh Seat & Mesh Backrest



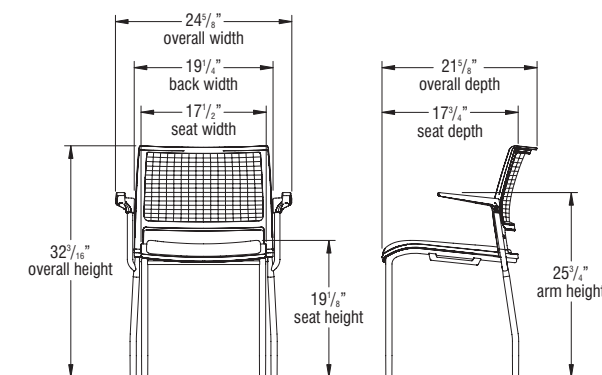
Opt4 4-Leg Armless Chair with Glides - Upholstered Seat & Mesh Backrest



Opt4 4-Leg Armchair with Glides - Mesh Seat & Mesh Backrest

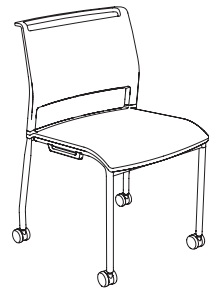


Opt4 4-Leg Armchair with Glides - Upholstered Seat & Mesh Backrest

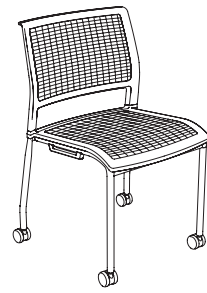




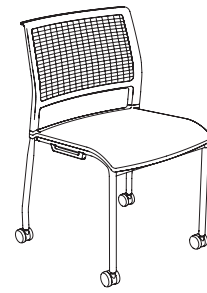
### Opt 4 4-Leg Armless Chairs with Casters



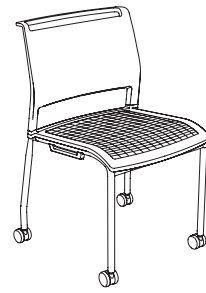
O4LNAPSPBC



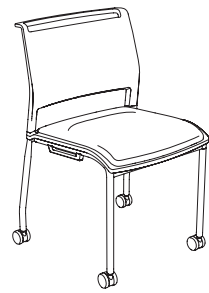
O4LNAMSMBC



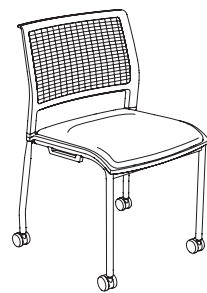
O4LNAPSMBC



O4LNAMSPBC



O4LNAUSPBC

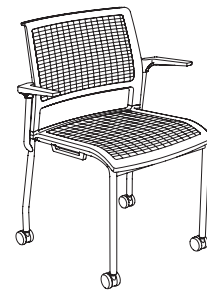


O4LNAUSMBC

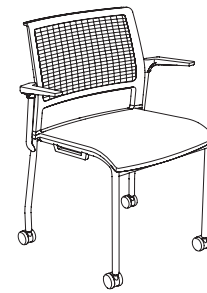
### Opt 4 4-Leg Armchairs with Casters



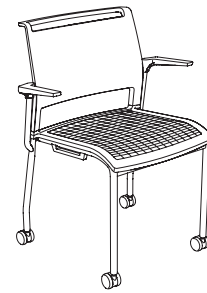
O4LWAPSPBC



O4LWAMSMBC



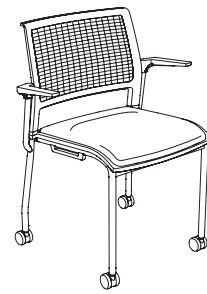
O4LWAPSMBC



O4LWAMSPBC

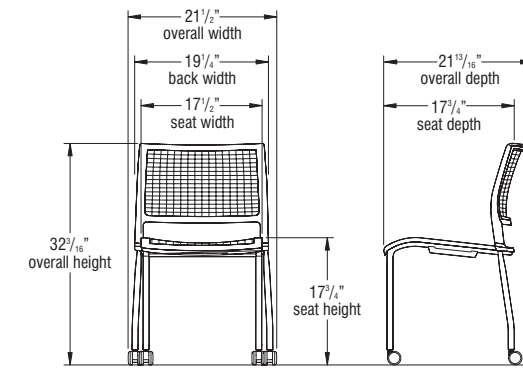


O4LWAUSPBC

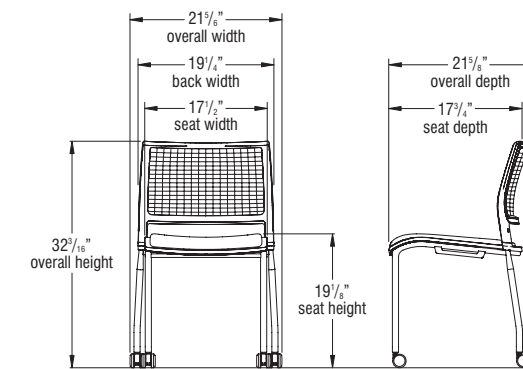


O4LWAUSMBC

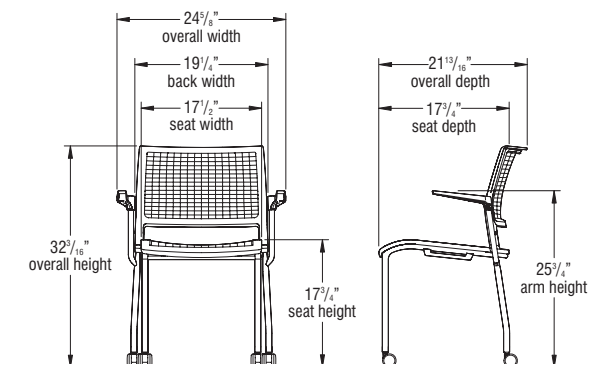
### Opt4 4-Leg Armless Chair with Casters - Mesh Seat & Mesh Backrest



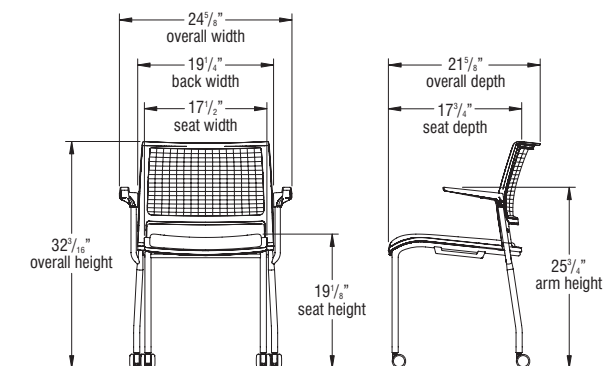
### Opt4 4-Leg Armless Chair with Casters - Upholstered Seat & Mesh Backrest



### Opt4 4-Leg Armchair with Casters - Mesh Seat & Mesh Backrest

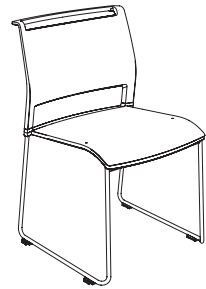


### Opt4 4-Leg Armchair with Casters - Upholstered Seat & Mesh Backrest

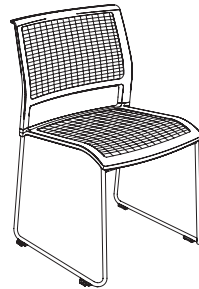




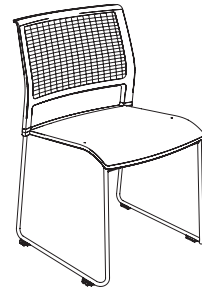
Opt4 HD Sled Base Stack Chairs



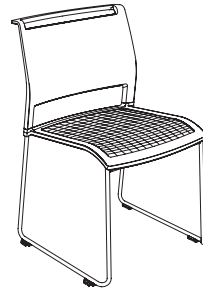
04PSPB



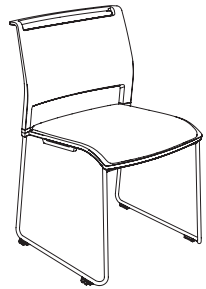
04SMSMB



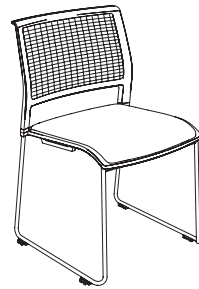
04PSMB



04MSPB

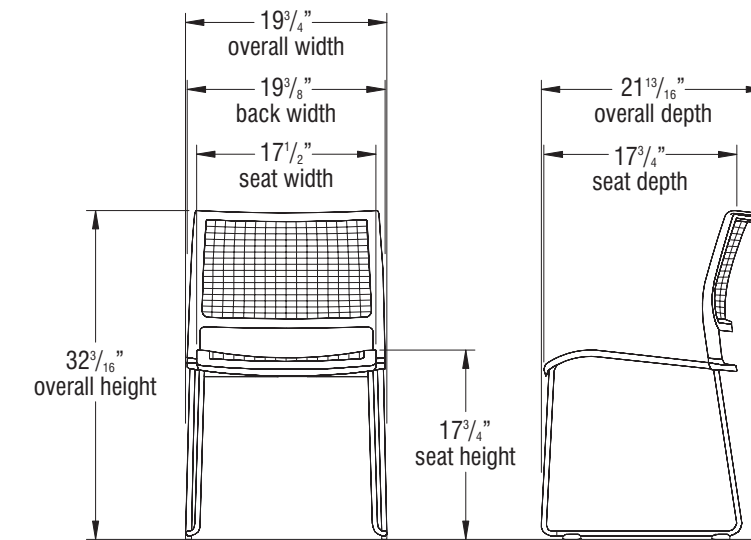


04SUSPB

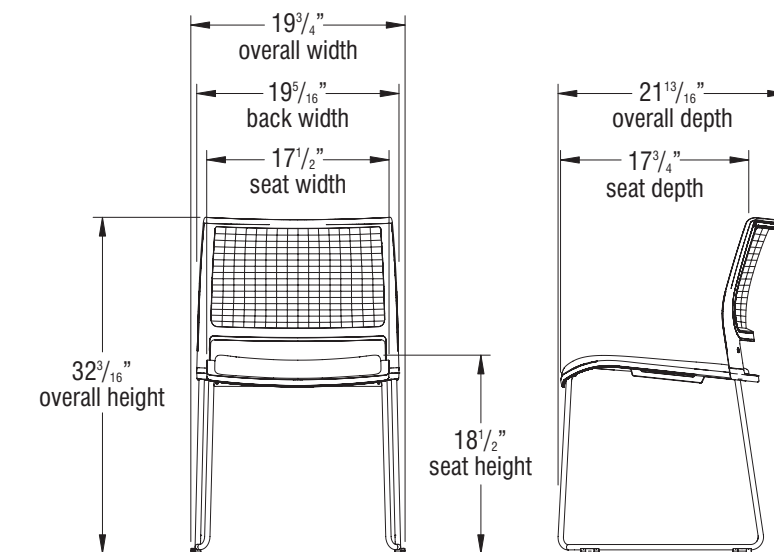


04USMB

Opt4 HD Sled Base Stack Chair - Mesh Seat & Mesh Backrest

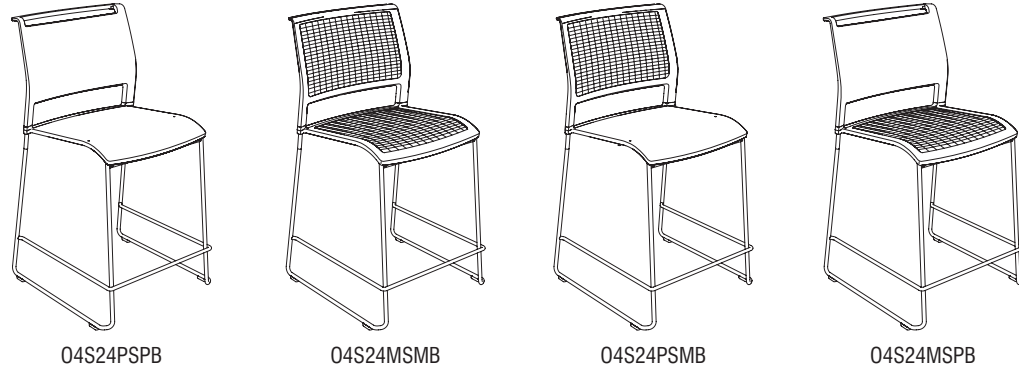


Opt4 HD Sled Base Stack Chair - Upholstered Seat & Mesh Backrest





24" High Opt4 HD Sled Base Stack Stools

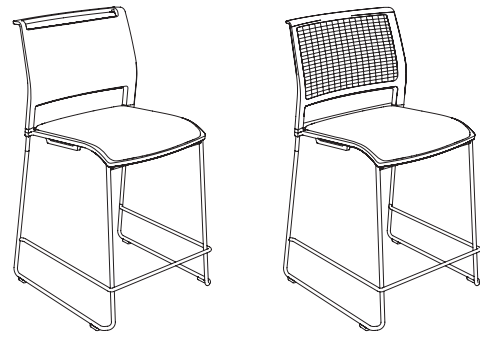


04S24PSPB

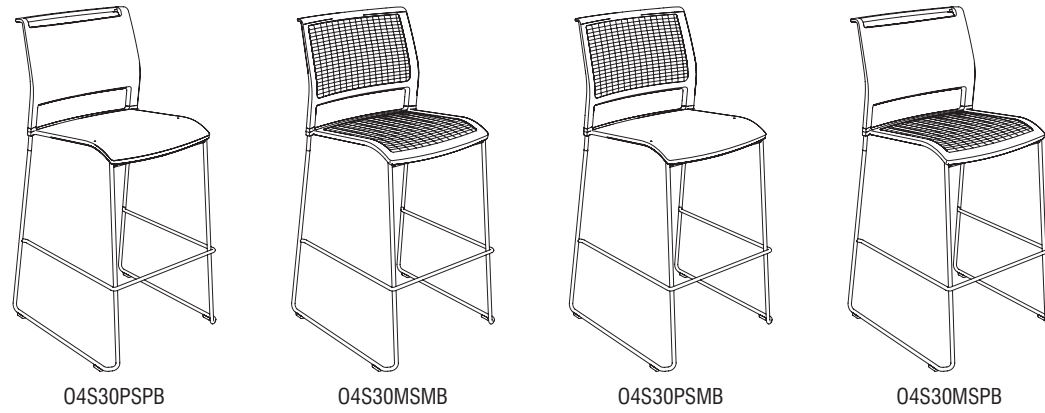
04S24MSMB

04S24PSMB

04S24MSPB



30" High Opt4 HD Sled Base Stack Chairs

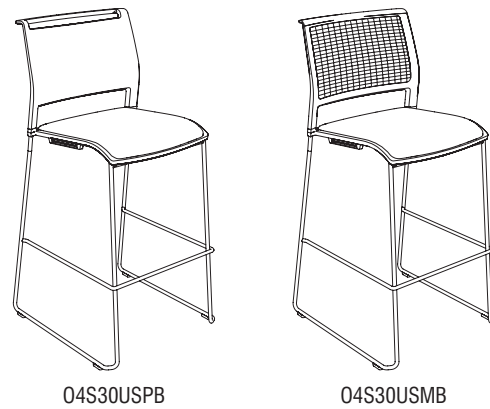


04S30PSPB

04S30MSMB

04S30PSMB

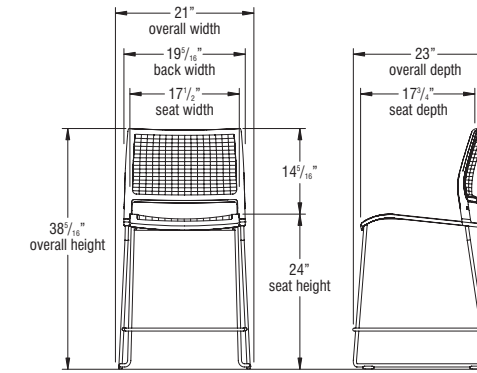
04S30MSPB



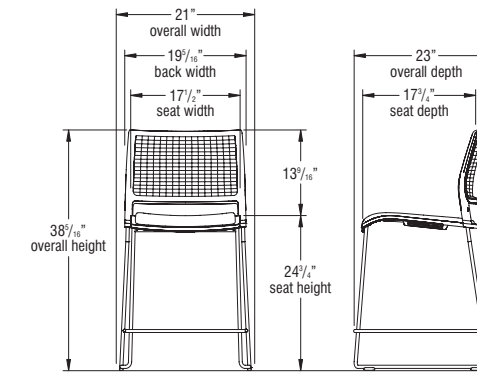
04S30USPB

04S30USMB

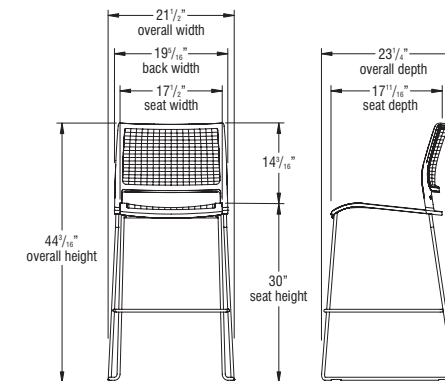
24" High Opt4 HD Sled Base Stack Stool - Mesh Seat & Mesh Backrest



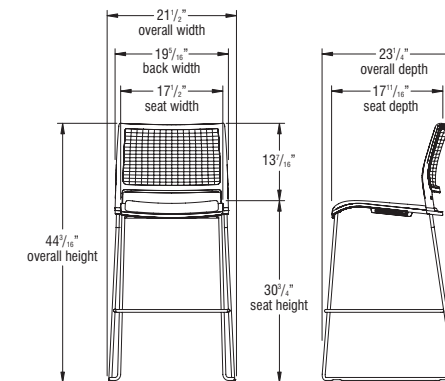
24" High Opt4 HD Sled Base Stack Stool - Upholstered Seat & Mesh Backrest



30" High Opt4 HD Sled Base Stack Stool - Mesh Seat & Mesh Backrest



30" High Opt4 HD Sled Base Stack Stool - Upholstered Seat & Mesh Backrest



#### Frame Color

Black	BL
Blue Grey	GR
Bronze Metallic	ZM
Cayenne	CY
Champagne Metallic	CM
Chrome	CH
Cool Grey	CG
Cottonwood	CO
Earthen Clay	EY
Espresso Metallic	EX
Everglade Shade	EV
Flannel	FN
Glitz Metallic	GZ
Hazy Jade	HJ
Honey Bee	HY
Light Tone	LG
Mardi Gras	MG
Misty Brown	MY
Nemo	NE
Nordic	ND
Purple Haze	PH
Rainforest	RQ
Raw Jasper	RJ
Rubber Ducky	RK
Sand	SA
Starlight Silver Metallic	SX
Surf's Up	SP
Tarragon	TQ
Twilight Shadow	TI
Ultra Blue	UB
Warm Grey	WG
Zesty Lime	ZL

#### Seat and Back Color - Poly and Mesh

Black	O4BL
Stone Grey	O4SG
White	O4WH

## Finish Cards

View color swatches for items listed within this document.

Paints

Wood/Veneer

Molded Edges

Hard Plastics

Plastics/Poly


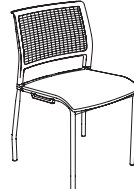

Laminates

Edge Styles

Glass

Certain options referenced may not be available on GSA Schedule.



	MODEL	Features	MODEL NUMBER					Approx. Packaged Weight	Delivered Pricing	Delivered Pricing Fabric Grade 1 & C.O.M.	Delivered Pricing Fabric Grade 2	Delivered Pricing Fabric Grade 3 & Group 2V Vinyl	Delivered Pricing Pallas Fabric Group P0	Delivered Pricing Pallas Fabric Group P1	Delivered Pricing Pallas Fabric Group P2	Delivered Pricing Pallas Fabric Group P3	Delivered Pricing Pallas Fabric Group P4
			Basic Model	Frame Color	Seat & Back Color	Upholstery Color	Glide Option										
 OPT4L	<b>Four-Leg Armless Chair, Mesh Seat</b>	Mesh Seat, Mesh Back	O4LNAMSMB	<input type="checkbox"/>	<input type="checkbox"/> <input type="checkbox"/> <input type="checkbox"/> <input type="checkbox"/>		<input type="checkbox"/>	12.00#	\$ 501								
	<ul style="list-style-type: none"> <li>• Stacking</li> <li>• 350 lb. weight rating</li> <li>• Stacking bumper</li> </ul>	Mesh Seat, Poly Back	O4LNAMSPB	<input type="checkbox"/>	<input type="checkbox"/> <input type="checkbox"/> <input type="checkbox"/> <input type="checkbox"/>		<input type="checkbox"/>	12.00#	453								
 OPT4L	<b>Four-Leg Armless Chair, Poly Seat</b>	Poly Seat, Mesh Back	O4LNAPSMB	<input type="checkbox"/>	<input type="checkbox"/> <input type="checkbox"/> <input type="checkbox"/> <input type="checkbox"/>		<input type="checkbox"/>	12.00#	\$ 453								
	<ul style="list-style-type: none"> <li>• Stacking</li> <li>• 350 lb. weight rating</li> <li>• Stacking bumper</li> </ul>	Poly Seat, Poly Back	O4LNAPSPB	<input type="checkbox"/>	<input type="checkbox"/> <input type="checkbox"/> <input type="checkbox"/> <input type="checkbox"/>		<input type="checkbox"/>	12.00#	395								
 OP4LU	<b>Four-Leg Armless Chair, Upholstered Seat</b>	Uph Seat, Mesh Back	O4LNAUSMB	<input type="checkbox"/>	<input type="checkbox"/> <input type="checkbox"/> <input type="checkbox"/> <input type="checkbox"/>	<input type="checkbox"/> <input type="checkbox"/> <input type="checkbox"/> <input type="checkbox"/>	<input type="checkbox"/>	14.00#	N/A	\$ 618	\$ 644	\$ 659	\$ 670	\$ 715	\$ 728	\$ 755	\$ 786
	<ul style="list-style-type: none"> <li>• Stacking</li> <li>• 350 lb. weight rating</li> <li>• Stacking bumper</li> </ul>	Uph Seat, Poly Back	O4LNAUSPB	<input type="checkbox"/>	<input type="checkbox"/> <input type="checkbox"/> <input type="checkbox"/> <input type="checkbox"/>	<input type="checkbox"/> <input type="checkbox"/> <input type="checkbox"/> <input type="checkbox"/>	<input type="checkbox"/>	14.00#	N/A	558	584	600	610	657	670	696	728

**A**   **B**   **C**   **D**   **E**

**HOW TO ORDER**

- Indicate the following information on order form:
1. Quantity of each item.
  2. Model number, including options. See "How To Build a Model Number".
  3. Any special service required.

Note:

- The  indicates that a choice is required.
- The absence of the  indicates that no choice is required.
- Alpha-numeric characters in place of  indicate that no other alternatives are available.

**HOW TO BUILD A MODEL NUMBER**

- A** Select basic model.
- B** Select frame color. Refer to the **Product Color Options** page in this price list.
- C** Select poly and/or mesh seat and back color. Refer to the **Product Color Options** page in this price list.
- D** Select upholstery grade/color. Refer to [ki.com/fabrics](http://ki.com/fabrics)
- E** Select glide option.
  - GBL** - Black glide
  - GSG** - Stone Grey glide

**INFORMATION**

**Cartoning**  
4 chairs per carton

**SPECIAL SERVICES**

**Special Carton Marking**




With specially marked information    N/C

**Shipping**

Ships **assembled, FOB Green Bay, WI 54302, freight prepaid.** Freight class 125.

Specifications and prices are subject to change without prior notice.



MODEL	Features	MODEL NUMBER					Approx. Packaged Weight	Delivered Pricing	Delivered Pricing Fabric Grade 1 & C.O.M.	Delivered Pricing Fabric Grade 2	Delivered Pricing Fabric Grade 3 & Group 2V Vinyl	Delivered Pricing Pallas Fabric Group P0	Delivered Pricing Pallas Fabric Group P1	Delivered Pricing Pallas Fabric Group P2	Delivered Pricing Pallas Fabric Group P3	Delivered Pricing Pallas Fabric Group P4
		Basic Model	Frame Color	Seat & Back Color	Upholstery Color	Caster Type										
 OPT4L <b>Four-Leg Armless Chair with Casters, Mesh Seat</b> • Stacking (Caution should be used if stacking to prevent casters from damaging chair and frame) • Stacking on dollies NOT recommended • 350 lb. weight rating • Stacking bumper	Mesh Seat, Mesh Back, Casters	O4LNAMSMBC	<input type="checkbox"/>	<input type="checkbox"/>	<input type="checkbox"/>	<input type="checkbox"/>	13.00#	\$ 552								
	Mesh Seat, Poly Back, Casters	O4LNAMSPBC	<input type="checkbox"/>	<input type="checkbox"/>	<input type="checkbox"/>	<input type="checkbox"/>	13.00#	505								
 OPT4L <b>Four-Leg Armless Chair with Casters, Poly Seat</b> • Stacking (Caution should be used if stacking to prevent casters from damaging chair and frame) • Stacking on dollies NOT recommended • 350 lb. weight rating • Stacking bumper	Poly Seat, Mesh Back, Casters	O4LNAPSMBC	<input type="checkbox"/>	<input type="checkbox"/>	<input type="checkbox"/>	<input type="checkbox"/>	13.00#	\$ 505								
	Poly Seat, Poly Back, Casters	O4LNAPSPBC	<input type="checkbox"/>	<input type="checkbox"/>	<input type="checkbox"/>	<input type="checkbox"/>	13.00#	444								
 OP4LU <b>Four-Leg Armless Chair with Casters, Upholstered Seat</b> • Stacking (Caution should be used if stacking to prevent casters from damaging chair and frame) • Stacking on dollies NOT recommended • 350 lb. weight rating • Stacking bumper	Uph Seat, Mesh Back, Casters	O4LNAUSMBC	<input type="checkbox"/>	<input type="checkbox"/>	<input type="checkbox"/>	<input type="checkbox"/>	15.00#	N/A	\$ 670	\$ 696	\$ 711	\$ 722	\$ 767	\$ 781	\$ 807	\$ 839
	Uph Seat, Poly Back, Casters	O4LNAUSPBC	<input type="checkbox"/>	<input type="checkbox"/>	<input type="checkbox"/>	<input type="checkbox"/>	15.00#	N/A	608	633	650	660	706	719	745	778

**A**   **B**   **C**   **D**   **E**

**HOW TO ORDER**

- Indicate the following information on order form:
- Quantity of each item.
  - Model number, including options. See "How To Build a Model Number".
  - Any special service required.

Note: • The  indicates that a choice is required.  
 • The absence of the  indicates that no choice is required.  
 • Alpha-numeric characters in place of  indicate that no other alternatives are available.

**HOW TO BUILD A MODEL NUMBER**

- A** Select basic model.
- B** Select frame color. Refer to the **Product Color Options** page in this price list.
- C** Select poly and/or mesh seat and back color. Refer to the **Product Color Options** page in this price list.
- D** Select upholstery grade/color. Refer to [ki.com/fabrics](http://ki.com/fabrics)
- E** Select caster option.
 

<b>C</b>	- Carpet casters
<b>S</b>	- Hard floor casters

**INFORMATION**

**Cartoning**  
4 chairs per carton

**SPECIAL SERVICES**

**Special Carton Marking**




With specially marked information    N/C

**Shipping**

Ships assembled, FOB Green Bay, WI 54302, freight prepaid. Freight class 125.

Specifications and prices are subject to change without prior notice.



	MODEL	Features	MODEL NUMBER					Approx. Packaged Weight	Delivered Pricing	Delivered Pricing Fabric Grade 1 & C.O.M.	Delivered Pricing Fabric Grade 2	Delivered Pricing Fabric Grade 3 & Group 2V Vinyl	Delivered Pricing Pallas Fabric Group P0	Delivered Pricing Pallas Fabric Group P1	Delivered Pricing Pallas Fabric Group P2	Delivered Pricing Pallas Fabric Group P3	Delivered Pricing Pallas Fabric Group P4
			Basic Model	Frame Color	Seat & Back Color	Upholstery Color	Glide Option										
 OPT4L	<b>Four-Leg Arm Chair, Mesh Seat</b>	<ul style="list-style-type: none"> <li>• Stacking</li> <li>• 350 lb. weight rating</li> <li>• Stacking bumper</li> </ul> Mesh Seat, Mesh Back Mesh Seat, Poly Back	O4LWAMSMB	<input type="checkbox"/>	<input type="checkbox"/>	<input type="checkbox"/>	<input type="checkbox"/>	12.00#	\$ 600								
			O4LWAMSPB	<input type="checkbox"/>	<input type="checkbox"/>	<input type="checkbox"/>	<input type="checkbox"/>	12.00#	552								
 OPT4L	<b>Four-Leg Arm Chair, Poly Seat</b>	<ul style="list-style-type: none"> <li>• Stacking</li> <li>• 350 lb. weight rating</li> <li>• Stacking bumper</li> </ul> Poly Seat, Mesh Back Poly Seat, Poly Back	O4LWAPSMB	<input type="checkbox"/>	<input type="checkbox"/>	<input type="checkbox"/>	<input type="checkbox"/>	12.00#	\$ 552								
			O4LWAPSPB	<input type="checkbox"/>	<input type="checkbox"/>	<input type="checkbox"/>	<input type="checkbox"/>	12.00#	491								
 OP4LU	<b>Four-Leg Arm Chair, Upholstered Seat</b>	<ul style="list-style-type: none"> <li>• Stacking</li> <li>• 350 lb. weight rating</li> <li>• Stacking bumper</li> </ul> Uph Seat, Mesh Back Uph Seat, Poly Back	O4LWAUSMB	<input type="checkbox"/>	<input type="checkbox"/>	<input type="checkbox"/>	<input type="checkbox"/>	14.00#	N/A	\$ 716	\$ 742	\$ 758	\$ 769	\$ 814	\$ 828	\$ 854	\$ 886
			O4LWAUSPB	<input type="checkbox"/>	<input type="checkbox"/>	<input type="checkbox"/>	<input type="checkbox"/>	14.00#	N/A	655	681	697	707	754	765	792	826

**A**   **B**   **C**   **D**   **E**

**HOW TO ORDER**

- Indicate the following information on order form:
1. Quantity of each item.
  2. Model number, including options. See "How To Build a Model Number".
  3. Any special service required.

Note: • The  indicates that a choice is required.  
 • The absence of the  indicates that no choice is required.  
 • Alpha-numeric characters in place of  indicate that no other alternatives are available.

**HOW TO BUILD A MODEL NUMBER**

- A** Select basic model.
- B** Select frame color. Refer to the **Product Color Options** page in this price list.
- C** Select poly and/or mesh seat and back color. Refer to the **Product Color Options** page in this price list.
- D** Select upholstery grade/color. Refer to [ki.com/fabrics](http://ki.com/fabrics)
- E** Select glide option.  
**GBL** - Black glide  
**GSG** - Stone Grey glide

**INFORMATION**

**Cartoning**  
4 chairs per carton

**SPECIAL SERVICES**

**Special Carton Marking**




With specially marked information    N/C

**Shipping**

Ships **assembled, FOB Green Bay, WI 54302, freight prepaid.** Freight class 125.

Specifications and prices are subject to change without prior notice.



MODEL	Features	MODEL NUMBER					Approx. Packaged Weight	Delivered Pricing	Delivered Pricing Fabric Grade 1 & C.O.M.	Delivered Pricing Fabric Grade 2	Delivered Pricing Fabric Grade 3 & Group 2V Vinyl	Delivered Pricing Pallas Fabric Group P0	Delivered Pricing Pallas Fabric Group P1	Delivered Pricing Pallas Fabric Group P2	Delivered Pricing Pallas Fabric Group P3	Delivered Pricing Pallas Fabric Group P4
		Basic Model	Frame Color	Seat & Back Color	Upholstery Color	Caster Type										
 OPT4L <b>Four-Leg Arm Chair with Casters, Mesh Seat</b> • Stacking (Caution should be used if stacking to prevent casters from damaging chair and frame) • Stacking on dollies NOT recommended • 350 lb. weight rating • Stacking bumper	Mesh Seat, Mesh Back, Casters	O4LWAMSMBC	<input type="checkbox"/>	<input type="checkbox"/> <input type="checkbox"/> <input type="checkbox"/> <input type="checkbox"/>			13.00#	\$ 650								
	Mesh Seat, Poly Back, Casters	O4LWAMSPBC	<input type="checkbox"/>	<input type="checkbox"/> <input type="checkbox"/> <input type="checkbox"/> <input type="checkbox"/>			13.00#	603								
 OPT4L <b>Four-Leg Arm Chair with Casters, Poly Seat</b> • Stacking (Caution should be used if stacking to prevent casters from damaging chair and frame) • Stacking on dollies NOT recommended • 350 lb. weight rating • Stacking bumper	Poly Seat, Mesh Back, Casters	O4LWAPSMBC	<input type="checkbox"/>	<input type="checkbox"/> <input type="checkbox"/> <input type="checkbox"/> <input type="checkbox"/>			13.00#	\$ 603								
	Poly Seat, Poly Back, Casters	O4LWAPSPBC	<input type="checkbox"/>	<input type="checkbox"/> <input type="checkbox"/> <input type="checkbox"/> <input type="checkbox"/>			13.00#	543								
 OP4LU <b>Four-Leg Arm Chair with Casters, Upholstered Seat</b> • Stacking (Caution should be used if stacking to prevent casters from damaging chair and frame) • Stacking on dollies NOT recommended • 350 lb. weight rating • Stacking bumper	Uph Seat, Mesh Back, Casters	O4LWAUSMBC	<input type="checkbox"/>	<input type="checkbox"/> <input type="checkbox"/> <input type="checkbox"/> <input type="checkbox"/>	<input type="checkbox"/> <input type="checkbox"/> <input type="checkbox"/> <input type="checkbox"/>	<input type="checkbox"/>	15.00#	N/A	\$ 767	\$ 793	\$ 810	\$ 818	\$ 866	\$ 879	\$ 906	\$ 937
	Uph Seat, Poly Back, Casters	O4LWAUSPBC	<input type="checkbox"/>	<input type="checkbox"/> <input type="checkbox"/> <input type="checkbox"/> <input type="checkbox"/>	<input type="checkbox"/> <input type="checkbox"/> <input type="checkbox"/> <input type="checkbox"/>	<input type="checkbox"/>	15.00#	N/A	707	733	750	759	804	817	843	878

**A**   **B**   **C**   **D**   **E**

**HOW TO ORDER**

- Indicate the following information on order form:
- Quantity of each item.
  - Model number, including options. See "How To Build a Model Number".
  - Any special service required.

Note: • The  indicates that a choice is required.  
 • The absence of the  indicates that no choice is required.  
 • Alpha-numeric characters in place of  indicate that no other alternatives are available.

**HOW TO BUILD A MODEL NUMBER**

- A** Select basic model.
- B** Select frame color.  
Refer to the **Product Color Options** page in this price list.
- C** Select poly and/or mesh seat and back color.  
Refer to the **Product Color Options** page in this price list.
- D** Select upholstery grade/color.  
Refer to [ki.com/fabrics](http://ki.com/fabrics)
- E** Select caster option.
 

<b>C</b>	- Carpet casters
<b>S</b>	- Hard floor casters

**INFORMATION**

**Cartoning**  
4 chairs per carton

**SPECIAL SERVICES**




**Special Carton Marking**

With specially marked information    N/C

**Shipping**  
Ships assembled, FOB Green Bay, WI 54302, freight prepaid. Freight class 125.

Specifications and prices are subject to change without prior notice.



MODEL	Features	MODEL NUMBER					Approx. Packaged Weight	Delivered Pricing	Delivered Pricing Fabric Grade 1 & C.O.M.	Delivered Pricing Fabric Grade 2	Delivered Pricing Fabric Grade 3 & Group 2V Vinyl	Delivered Pricing Pallas Fabric Group P0	Delivered Pricing Pallas Fabric Group P1	Delivered Pricing Pallas Fabric Group P2	Delivered Pricing Pallas Fabric Group P3	Delivered Pricing Pallas Fabric Group P4
		Basic Model	Frame Color	Seat & Back Color	Upholstery Color	Glide Option										
 High Density Stacking Chair, Mesh Seat • Stacking • 350 lb. weight rating • Ganging optional	Mesh Seat, Mesh Back	04MSMB	<input type="checkbox"/>	<input type="checkbox"/> <input type="checkbox"/> <input type="checkbox"/> <input type="checkbox"/>		<input type="checkbox"/>	10.00#	\$ 445								
	Mesh Seat, Poly Back	04MSPB	<input type="checkbox"/>	<input type="checkbox"/> <input type="checkbox"/> <input type="checkbox"/> <input type="checkbox"/>		<input type="checkbox"/>	10.00#	376								
OPT4																
 High Density Stacking Chair, Poly Seat • Stacking • 350 lb. weight rating • Ganging optional	Poly Seat, Mesh Back	04PSMB	<input type="checkbox"/>	<input type="checkbox"/> <input type="checkbox"/> <input type="checkbox"/> <input type="checkbox"/>		<input type="checkbox"/>	10.00#	\$ 376								
	Poly Seat, Poly Back	04PSPB	<input type="checkbox"/>	<input type="checkbox"/> <input type="checkbox"/> <input type="checkbox"/> <input type="checkbox"/>		<input type="checkbox"/>	10.00#	295								
OPT4																
 High Density Stacking Chair, Upholstered Seat • Stacking • 350 lb. weight rating • Stacking bumper • Ganging optional	Uph Seat, Poly Back	04USPB	<input type="checkbox"/>	<input type="checkbox"/> <input type="checkbox"/> <input type="checkbox"/> <input type="checkbox"/>	<input type="checkbox"/> <input type="checkbox"/> <input type="checkbox"/> <input type="checkbox"/>	<input type="checkbox"/>	12.00#	N/A	\$ 459	\$ 486	\$ 501	\$ 512	\$ 556	\$ 570	\$ 597	\$ 629
	Uph Seat, Mesh Back	04USMB	<input type="checkbox"/>	<input type="checkbox"/> <input type="checkbox"/> <input type="checkbox"/> <input type="checkbox"/>	<input type="checkbox"/> <input type="checkbox"/> <input type="checkbox"/> <input type="checkbox"/>	<input type="checkbox"/>	12.00#	N/A	542	568	583	594	640	652	679	711
OP4U																

**A** **B** **C** **D** **E**

**HOW TO ORDER**

- Indicate the following information on order form:
- Quantity of each item.
  - Model number, including options. See "How To Build a Model Number".
  - Any special service required.

Note: • The  indicates that a choice is required.  
 • The absence of the  indicates that no choice is required.  
 • Alpha-numeric characters in place of  indicate that no other alternatives are available.

**HOW TO BUILD A MODEL NUMBER**

- A** Select basic model.
- B** Select frame color. Refer to the **Product Color Options** page in this price list.
- C** Select poly and/or mesh seat and back color. Refer to the **Product Color Options** page in this price list.
- D** Select upholstery grade/color. Refer to [ki.com/fabrics](http://ki.com/fabrics)
- E** Select glide option.
 

<b>G</b>	- Nylon glides, ganging
<b>NG</b>	- Nylon glides, non-ganging
<b>F</b>	- Replaceable felt glides, non-ganging
<b>S</b>	- Steel glides, non-ganging
<b>NS</b>	- PVC/non-skid glides, non-ganging

**INFORMATION**

**Cartoning**  
4 chairs per carton

**SPECIAL SERVICES**




**Special Carton Marking**

With specially marked information N/C

**Shipping**  
Ships assembled, FOB Green Bay, WI 54302, freight prepaid. Freight class 125.

Specifications and prices are subject to change without prior notice.



MODEL	Features	MODEL NUMBER						Approx. Packaged Weight	Delivered Pricing	Delivered Pricing Fabric Grade 1 & C.O.M.	Delivered Pricing Fabric Grade 2	Delivered Pricing Fabric Grade 3 & Group 2V Vinyl	Delivered Pricing Pallas Fabric Group P0	Delivered Pricing Pallas Fabric Group P1	Delivered Pricing Pallas Fabric Group P2	Delivered Pricing Pallas Fabric Group P3	Delivered Pricing Pallas Fabric Group P4
		Basic Model	Seat Height	Frame Color	Seat & Back Color	Upholstery Color	Glide Option										
 <b>Cafe Stool, Mesh Seat</b> • Two seat heights (24" & 30") • 24" H stools specified for use with 36" H tables • 30" H stools specified for use with 42" H tables • Stacking • 350 lb. weight rating • Ganging optional	Mesh Seat, Mesh Back	O4SMSMB	<input type="checkbox"/>	<input type="checkbox"/>	<input type="checkbox"/>	<input type="checkbox"/>	<input type="checkbox"/>	18.00#	\$ 629								
	Mesh Seat, Poly Back	O4SMSPB	<input type="checkbox"/>	<input type="checkbox"/>	<input type="checkbox"/>	<input type="checkbox"/>	<input type="checkbox"/>	18.00#	562								
 <b>Cafe Stool, Poly Seat</b> • Two seat heights (24" & 30") • 24" H stools specified for use with 36" H tables • 30" H stools specified for use with 42" H tables • Stacking • 350 lb. weight rating • Ganging optional	Poly Seat, Mesh Back	O4SPSMB	<input type="checkbox"/>	<input type="checkbox"/>	<input type="checkbox"/>	<input type="checkbox"/>	<input type="checkbox"/>	18.00#	\$ 562								
	Poly Seat, Poly Back	O4SPSPB	<input type="checkbox"/>	<input type="checkbox"/>	<input type="checkbox"/>	<input type="checkbox"/>	<input type="checkbox"/>	18.00#	475								
 <b>Cafe Stool, Upholstered Seat</b> • Two seat heights (24" & 30") • 24" H stools specified for use with 36" H tables • 30" H stools specified for use with 42" H tables • Stacking • 350 lb. weight rating • Stacking bumper • Ganging optional	Uph Seat, Mesh Back	O4SUSMB	<input type="checkbox"/>	<input type="checkbox"/>	<input type="checkbox"/>	<input type="checkbox"/>	<input type="checkbox"/>	20.00#	N/A	\$ 726	\$ 752	\$ 767	\$ 778	\$ 824	\$ 837	\$ 861	\$ 895
	Uph Seat, Poly Back	O4SUSPB	<input type="checkbox"/>	<input type="checkbox"/>	<input type="checkbox"/>	<input type="checkbox"/>	<input type="checkbox"/>	20.00#	N/A	641	667	682	694	738	752	778	811
			<b>A</b>	<b>B</b>	<b>C</b>	<b>D</b>	<b>E</b>	<b>F</b>									

**HOW TO ORDER**

- Indicate the following information on order form:
- Quantity of each item.
  - Model number, including options. See "How To Build a Model Number".
  - Any special service required.

Note: • The  indicates that a choice is required.  
 • The absence of the  indicates that no choice is required.  
 • Alpha-numeric characters in place of  indicate that no other alternatives are available.

**HOW TO BUILD A MODEL NUMBER**

- A** Select basic model.
- B** Select seat height.  

<b>24</b>	- 24" seat height
<b>30</b>	- 30" seat height
- C** Select frame color.  
 Refer to the **Product Color Options** page in this price list.
- D** Select poly and/or mesh seat and back color.  
 Refer to the **Product Color Options** page in this price list.
- E** Select upholstery grade/color.  
 Refer to [ki.com/fabrics](http://ki.com/fabrics)
- F** Select glide option.  

<b>G</b>	- Nylon glides, ganging
<b>NG</b>	- Nylon glides, non-ganging
<b>F</b>	- Replaceable felt glides, non-ganging
<b>S</b>	- Steel glides, non-ganging
<b>NS</b>	- PVC/non-skid glides, non-ganging

**INFORMATION**

**Cartoning**  
 2 stools per carton

**SPECIAL SERVICES**

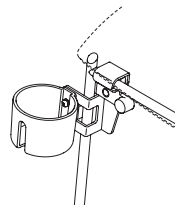
**Special Carton Marking**

With specially marked information N/C

**Shipping**  
 Ships **assembled, FOB Green Bay, WI 54302, freight prepaid.** Freight class 125.

Specifications and prices are subject to change without prior notice.



MODEL	MODEL NUMBER		Approx. Packaged Weight	Delivered Pricing
	Basic Model			
 <p><b>Cupholder for HD Chairs</b> • Optional removable cupholder (black)</p> <p>04A02</p>	OACH		0.00#	\$ 84

**A**

**HOW TO ORDER**

- Indicate the following information on order form:
1. Quantity of each item.
  2. Model number, including options. See "How To Build a Model Number".
  3. Any special service required.

Note:

- The  indicates that a choice is required.
- The absence of the  indicates that no choice is required.
- Alpha-numeric characters in place of  indicate that no other alternatives are available.

**HOW TO BUILD A MODEL NUMBER**

**A** Select basic model.

**SPECIAL SERVICES**

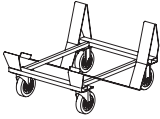
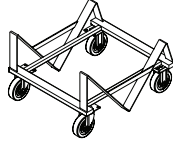
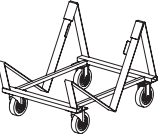
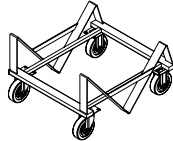
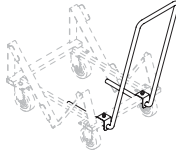
**Special Carton Marking**

With specially marked information N/C

**Shipping**

Ships **assembled, FOB Green Bay, WI 54302, freight prepaid.**

Specifications and prices are subject to change without prior notice.

MODEL	MODEL NUMBER		Delivered Pricing
	Basic Model	Approx. Packaged Weight	
 04A01 <b>Transport Dolly for Four-Leg Chair</b> <ul style="list-style-type: none"> <li>• Easy maneuverability with 5" casters; two fixed, two swivel</li> <li>• Black powder-coated finish</li> <li>• For chairs with poly, mesh or uph seat</li> <li>• Not for use on chairs with casters</li> </ul>	O4LD.BL	30.00#	\$ 551
 04A01 <b>Transport Dolly for High Density Chair, Poly or Mesh Seat</b> <ul style="list-style-type: none"> <li>• Easy maneuverability with 5" casters; two fixed, two swivel</li> <li>• Black powder-coated finish</li> <li>• For chairs with poly or mesh seats</li> </ul>	O4DA.BL	30.00#	\$ 551
 04A01 <b>Transport Dolly for High Density Chair, Uph Seat</b> <ul style="list-style-type: none"> <li>• Easy maneuverability with 5" casters; two fixed, two swivel</li> <li>• Black powder-coated finish</li> <li>• For chairs with uph seat only</li> </ul>	O4DAU.BL	30.00#	\$ 551
 04A01 <b>Transport Dolly for Cafe Stool</b> <ul style="list-style-type: none"> <li>• Easy maneuverability with 5" casters; two fixed, two swivel</li> <li>• Black powder-coated finish</li> <li>• For stools with poly, mesh or uph seat</li> </ul>	O4SD.BL	30.00#	\$ 583
 AC800 <b>Universal Dolly Handle</b> <ul style="list-style-type: none"> <li>• Field installable</li> <li>• Provides convenient handle for relocating dolly when empty or loaded</li> <li>• Overall dolly height with handle is 37"</li> </ul>	UDH.BL	9.00#	\$ 210

A

**HOW TO ORDER**

Indicate the following information on order form:

1. Quantity of each item.
2. Model number, including options. See "How To Build a Model Number".
3. Any special service required.

Note: • The  indicates that a choice is required.

- The absence of the  indicates that no choice is required.
- Alpha-numeric characters in place of  indicate that no other alternatives are available.

**HOW TO BUILD A MODEL NUMBER**

- A** Select basic model.

**SPECIAL SERVICES****Special Carton Marking**

With specially marked information N/C

**Shipping**

Ships assembled, FOB Green Bay, WI 54302, freight prepaid. Freight class 125.

Specifications and prices are subject to change without prior notice.



1330 BELLEVUE STREET  
GREEN BAY, WI 54302  
800.424.2432 / KI.COM

KI is a trusted expert for furniture and wall systems around the globe.  
USA | CANADA | MEXICO | UK | EUROPE | ASIA | MIDDLE EAST  
© 2026 Krueger International, Inc. All Rights Reserved.