



MYWAY[®]
LOUNGE FURNITURE

PRICE LIST

EFFECTIVE MARCH 31, 2026
800.424.2432



Fabric Yardage Pricing	3
<hr/>	
Ordering Customer's Own Material (C.O.M.) Upholstery	
Information	4
<hr/>	
MyWay® Lobby and Lounge Seating	
General Information	6
Typicals	9
<hr/>	
MyWay®	
Product Color Options	11
Lobby and Lounge Seating	12
Tables	27



Yardage	Grade	List Price Per Yard
1	C	\$ 49
1	D	\$ 64
1	E	\$ 78
1	F	\$ 100
1	G	\$ 122
1	H	\$ 144
1	I	\$ 178
1	J	\$ 222
1	K	\$ 289
1	L	\$ 333
1	M	\$ 422



Customer's Own Material ■

Specifications Form

January 2023

How to Specify

As a standard procedure, KI applies seating upholstery as swatched by the textile distributor. Reference distributor's website. Upholstery that is required to be applied differently than is swatched, will need a Product Modification Request written specifying the direction the upholstery is to be applied.

Seating upholstery requiring specific positioning of intricate patterns or patterns repeats on seats and backrests, will need a Product Modification Request written including a sketch noting the specific requirements, as in Diagram A.

C.O.M. must be supplied in continuous yardage.

Yardage requirements listed in price list are based on plain goods 54" wide. Fabrics less than 54" wide, or those requiring matching (stripes, plaids, prints, large patterns) will require additional yardage based on the fabric used and the item ordered. Consult matrix below for additional yardage needed.

C.O.M. INCREASE MATRIX (yardage matrix is also applicable to any reservations of KI Ingrade, Pallas, or K.O.M. upholsteries).

This table is a general guide.

FABRIC WIDTH	PLAIN FABRIC	UNDER 7"	8"-13"	14"-21"	22"-27"	28"-33"	34"-40"	41"-48"
		REPEAT	REPEAT	REPEAT	REPEAT	REPEAT	REPEAT	REPEAT
54"	0	20%	25%	30%	45%	55%	70%	80%
51"-53"	15%	25%	30%	35%	50%	60%	80%	90%
48"-50"	20%	30%	35%	40%	55%	65%	85%	95%
45"-47"	30%	45%	50%	55%	60%	80%	90%	100%
36"-44"	50%	65%	70%	75%	80%	100%	110%	120%

Fabric with double repeat: If using a fabric with a double repeat, please follow this formula: take the total amount of the larger and half of the smaller repeat; add together to find the correct overall repeat. Example: 10" vertical with 14" horizontal would be $14+5=19$.

If fabric comes in on multiple rolls, one additional yard per roll needs to be added to the yardage requirement.

Leather hides must be a minimum of 50 square feet of usable material. The outer edges cannot be calculated as square feet or yardage. To determine square footage, multiply unit yardage by 18 square feet to obtain the total square footage required per unit.

For exact production yardage requirements, call 1-800-424-2432, ext. 2707.

Production

Customer's upholstery must be approved prior to acceptance for production.

After approval, a memo swatch of the C.O.M. from the textile distributor must accompany the order. KI assumes no responsibility for wear, defects, or performance of C.O.M. or K.O.M. upholstery.

C.O.M. not received into the appropriate facility 3 weeks prior to acknowledged delivery date may go on hold. See KI C.O.M.

Shipping Location listing for the correct facility address by product.

All C.O.M. must be labeled as follows:

1. Name and address
2. Your purchase order number
3. Our style number to which fabric is to be applied
4. Supplier name and fabric name, number, and color

ALL C.O.M. Shipments must be prepaid. Collect shipments will be refused.

Testing

When KI requires testing, actual yardage to upholster one chair may be required. The C.O.M. Specialist will confirm model and fabric testing requirements when applicable.

Approved test samples will be applied to the order or will be held for 6 months. After 6 months, the sample will no longer be applied to your order. For all product testing, send fabric samples to the manufacturing facility. See KI C.O.M. Shipping Location listing for the correct facility address by product.

ALL C.O.M. Shipments must be prepaid. Collect shipments will be refused.

Treated Materials

If C.O.M. requires processing such as a stain resistance treatment or acrylic backing, it may shrink. To prevent delays in delivery or back ordering due to shrinkage, please have your processor verify measurement after processing and assure adequate yardage shipped.

Split Orders

If a portion of the shipment which does not require C.O.M. application is to be processed and shipped early, KI will enter the order immediately at your request. These split shipments are subject to minimum order changes.

Excess Upholstery Material

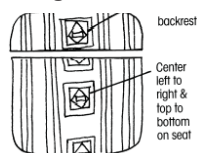
KI will dispose of excess upholstery material at the time of shipment unless expressly requested to return it with the product shipment.

Cancelled or Changed Orders

KI assumes no responsibility for extra C.O.M. due to a change of upholstery or cancellation of an order. If it the customer's responsibility to arrange for return of the material.

Contact the C.O.M. Specialist at 1-800-424-2432, ext. 2707, with questions or to request a split order

Diagram A





C.O.M. SHIPPING LOCATION



Architectural Walls	Panel Systems	Impress UltraOM
Evoke..... MN	All Terrain..... KP	Intellect Wave GB
Genius..... MN	Balance MN	Jessa HN
Casegoods	Universal MN	Jubilee VQ
Aristotle..... MN	Wireworks MN	Katera..... GB
Likha..... MN	Unite..... MN	Kurv Benches..... HN
Classroom Furniture	Residence Hall Furniture	Learn2..... GB
Cogni GB	RoomScape..... MN	LimeLite..... GB
Intellect Wave GB	Screens	Lyra HN
Learn2..... GB	All Terrain..... KP	Medical & Laboratory Stools..... OM
Ruckus..... GB	Connection Zone..... BW	MyPlace HN
Desking	Tributaire..... BW	MyWay HN
700 Series KP	True/Volition KP	Oath GB
Balance MN	Genesis..... KP	Opt4 GB
Genesis MN	Tattoo..... MN	Pilot OM
True KP	Universal..... BW	Promenade..... BW
Universal MN	Seating	Ruckus..... GB
WorkZone MN	600 Series..... BW	Sela HN
Files & Storage	Affina HN	Sift GB
700 Series..... GB	Altus GB	Signia..... OM
Connection..... BW	Apply GB	Soltice Metal HN
U-Series..... GB	Calida HN	Soltice..... HN
Tattoo..... BW	Cascha VT	Sonrisa HN
Fixed Seating	Civara VT	Strive GB
Concerto..... BW	Clamber HN	Sway BW
Single Pedestal GB	Cogni GB	Tattoo..... HN
Jury Base GB	Diem OM	Torsion-on-the-Gol GB
Lancaster..... BW	Doni GB	Torsion Air GB
Sequence GB	Gladly VQ	Zeker HN
University GB	Grazie GB	Zentori VT
	Hub HN	Zoetry..... HN
	Impress OM	

KI C.O.M. Manufacturing Site Addresses:

BW KI Bonduel Attn: COM Storage 204 West South St. Bonduel, WI 54107	HN KI High Point Attn: COM Storage 217 Feld Avenue High Point, NC 27263	MN KI Manitowoc Attn: COM Storage 1400 S. 41st St. Manitowoc, WI 54220	VQ KI Attn: COM Fabrics 6892 Marlin Circle La Palma, CA 90623
GB KI Green Bay Attn: COM Storage 1687 Westminster Drive - Gate 3 Green Bay, WI 54302	KP KI Pembroke Attn: COM Storage 1000 Olympic Dr. Pembroke, Ontario K8A6X7	OM KI Attn: COM Storage 1110 S. Mildred Ave. Ontario, CA 91761	VT KI Attn: COM Storage 2803 South Taylor Drive Sheboygan, WI 53081

MyWay™ Lobby and Lounge Seating

General Information



MyWay™ Lobby and Lounge Seating

General Information



Armless Sled Chair (MYNN)

No Arm/Low Arm Sled Chair (MYNL or MYLN)

No Arm/High Arm Sled Chair (MYNH or MYHN)

No Arm/Work Arm Sled Chair (MYNW or MYWN)

Low Arm Sled Chair (MYLL)

Low Arm/High Arm Sled Chair (MYLH or MYHL)

General Dimensions						
Seat width	32-3/4"	26"	26"	26"	20"	20"
Seat depth	20"	20"	20"	20"	20"	20"
Seat height	18"	18"	18"	18"	18"	18"
Arm width		4-1/4"	4-1/4"	11" Front of Work Arm	4-1/4"	4-1/4"
Arm height		21"	29-1/2"	29-1/2"	21"	21" Low Arm/ 29-1/2" High Arm
Overall Dimensions						
Width	33"	33"	36"	36"	33"	36"
Depth	32"	33"	34-1/2"	33-1/2"	33"	34-1/2"
Height	29-1/2"	29-1/2"	29-1/2"	29-1/2"	29-1/2"	29-1/2"
Tablet width				9-1/2"		
Tablet depth				13-3/8"		



Low Arm/Work Arm Sled Chair (MYLW or MYWL)

High Arm Sled Chair (MYHH)

High Arm/Work Arm Sled Chair (MYHW or MYWH)

Small End Table (MYTB9012)

End Table (MYTB9013)

Coffee Table (MYTB9014)

General Dimensions						
Seat width	20"	20"	20"			
Seat depth	20"	20"	20"			
Seat height	18"	18"	18"			
Arm width	11" Front of Work Arm/ 4-1/4" Low Arm	4-1/4"	11" Front of Work Arm/ 4-1/4" High Arm			
Arm height	21" Low Arm/ 29-1/2" High Arm	29-1/2"	29-1/2"			
Overall Dimensions						
Width	36"	40"	40"	24"	24"	40"
Depth	33-1/2"	34-1/2"	34-1/2"	24"	24"	24"
Height	29-1/2"	29-1/2"	29-1/2"	16"	22"	16"
Tablet width	9-1/2"		9-1/2"			
Tablet depth	13-3/8"		13-3/8"			

UPHOLSTERY INFORMATION

C.O.M. Fabric

For C.O.M. fabric sent to KI-High Point on multiple rolls, add an additional yard of fabric per roll to the yardage requirements. Multiple rolls have shorter pieces of fabric on them and do not allow nesting and stacking of the fabric to achieve the best yield as is done with one large roll. This results in yardage shortages and requests for additional fabric from the client, which can delay an order. For each roll that is sent, one yard needs to be added to one of the rolls, not separately.

Fabric Disclaimer

Fabric will be applied as swatched by the fabric manufacturer. Fabric that is required to be applied differently than is swatched will need a Product Modification Request written specifying the direction the fabric is to be applied.

FINISH INFORMATION

Color Match

KI offers the additional option of color matching paint, polypropylene, or wood stain through Product Modification Requests. Contact Customer Service for details.

WARRANTY INFORMATION

Warranty

Refer to KI Terms & Conditions document or visit ki.com



**Armless 4-Leg Chair
(MYNN4L)**



**No Arm/Low Arm
4-Leg Chair
(MYNL4L or MYLN4L)**



**No Arm/High Arm
4-Leg Chair
(MYNH4L or MYHN4L)**



**No Arm/Work Arm 4-Leg Chair
(MYNW4L or MYWN4L)**



**Low Arm 4-Leg Chair
(MYLL4L)**



**Low Arm/High Arm 4-Leg Chair
(MYLH4L or MYHL4L)**



**Low Arm/Work Arm 4-Leg Chair
(MYLW4L or MYWL4L)**



**High Arm 4-Leg Chair
(MYHH4L)**



**High Arm/Work Arm 4-Leg Chair
(MYHW4L or MYWH4L)**

General Dimensions					
Seat width	32-3/4"	26"	26"	26"	20"
Seat depth	20"	20"	20"	20"	20"
Seat height	18"	18"	18"	18"	18"
Arm width		4-1/4"	4-1/4"	11" Front of Work Arm	4-1/4"
Arm height		21"	29-1/2"	29-1/2"	21"
Overall Dimensions					
Width	33"	33"	36"	36"	33"
Depth	32"	33"	34-1/2"	33-1/2"	33"
Height	29-1/2"	29-1/2"	29-1/2"	29-1/2"	29-1/2"
Tablet width				9-1/2"	
Tablet depth				13-3/8"	

General Dimensions				
Seat width	20"	20"	20"	20"
Seat depth	20"	20"	20"	20"
Seat height	18"	18"	18"	18"
Arm width	4-1/4"	11" Front of Work Arm/ 4-1/4" Low Arm	4-1/4"	11" Front of Work Arm/ 4-1/4" High Arm
Arm height	21" Low Arm/ 29-1/2" High Arm	21" Low Arm/ 29-1/2" High Arm	29-1/2"	29-1/2"
Overall Dimensions				
Width	36"	36"	40"	40"
Depth	34-1/2"	33-1/2"	34-1/2"	34-1/2"
Height	29-1/2"	29-1/2"	29-1/2"	29-1/2"
Tablet width		9-1/2"		9-1/2"
Tablet depth		13-3/8"		13-3/8"

UPHOLSTERY INFORMATION

C.O.M. Fabric

For C.O.M. fabric sent to KI-High Point on multiple rolls, add an additional yard of fabric per roll to the yardage requirements. Multiple rolls have shorter pieces of fabric on them and do not allow nesting and stacking of the fabric to achieve the best yield as is done with one large roll. This results in yardage shortages and requests for additional fabric from the client, which can delay an order. For each roll that is sent, one yard needs to be added to one of the rolls, not separately.

Fabric Disclaimer

Fabric will be applied as swatched by the fabric manufacturer. Fabric that is required to be applied differently than is swatched will need a Product Modification Request written specifying the direction the fabric is to be applied.

FINISH INFORMATION

Color Match

KI offers the additional option of color matching paint, polypropylene, or wood stain through Product Modification Requests. Contact Customer Service for details.

WARRANTY INFORMATION

Warranty

Refer to KI Terms & Conditions document or visit ki.com

Frame Construction - Frames and Arms

Frames and Arms are constructed of 6/4 lumber kiln dried to a moisture content of six to eight percent and laminated hardwood plywood 3/4" in thickness. All mainframe joints are doweled or interlocked and glued. Stress points are further reinforced with the use of glued and screwed corner blocks.

Suspension - Seat and Back

The seat and back are sprung with stretch webbing stapled into position and covered with a layer of FLW (reinforced non-woven fiber sheet)

Foam Specifications

Seats and Backs

Tight seats and backs are filled with a layer of 4" polyurethane foam with a density of 2.5 and a compression of 35 pounds. This foam is covered with a layer of 1/4" super soft foam.

Arms

Arm tops are 1 1/2" thick polyurethane foam with a density of 4.6 and compression of 150 lb. 1/4" polyurethane foam is around the entire arm and has a 1.5 density and 45 pound compression.

Other Surfaces

Other top surfaces are 1 1/2" thick polyurethane foam with a density of 4.6 and compression of 150 lb. 1/4" polyurethane foam covers these surfaces with a 1.5 density and 45 pound compression.

Optional Cup Holder

Cup holder is made of machined aluminum, finished with a clear anodized protective coating. It has an inside diameter of 2 3/4" and a 1 1/2" depth. Outside diameter is 3" with a 3 3/4" diameter top rim.

Optional Ganger

UL HB rated nylon hooks and glass filled nylon pegs are mounted to 14-gauge steel plates with thread locking screws and steel inserts. The ganging plate assemblies are mounted to the wood frame using #10 x 1 1/2" wood screws. Gangers are limited to No Arm or Low Arm side-to-side ganging only.

Base Construction

Sled Bases

Sled bases are 1" O.D. by 16-gauge round steel tubing welded to a 14-gauge steel mounting plate. Bases are secured to the lounge frame with #10 x 1 1/2" steel pan head wood screws. Chrome is an optional finish. Powder-coat paint is standard. Optional black plastic nylon glides can be added to all sled base units.

Post Legs

Post legs are solid machined aluminum, bolted to a 10-gauge steel plate. Post legs are then secured to the lounge frame with #10 x 1 1/2" steel pan head wood screws. The aluminum leg posts have a polished aluminum finish. Friction-fit, clear plastic glides come standard on all post leg units.

Work Arm Tablet

The work arm functional tablet is constructed with a 15 mm thick Baltic Birch plywood core, with a .030" thick phenolic paper backer. The edges are shaped, sanded and coated with a clear lacquer finish. The top surface is .040" thick high pressure laminate, available in standard KI color and pattern choices. See Color Addendum for details. The work arm tablet is field-replaceable.

Power Modules

Axil Z® Power Module with 3-Prong Plug

The Axil Z power module houses one AC simplex receptacle (rated at 15 amps/125 volts), one DC USB-A port, and one USB-C port (rated at 2.1-amps/5-volts) (2.0 & 3.0 compatible, no data). Both USB ports can power and charge two separate mobile devices simultaneously. All circuitry is contained in an extruded aluminum housing and the entire electrical power module assembly is UL listed, having a UL spill test rating for protection against liquids. Modules come with a 10' power cord with a 3-prong grounded plug, specified 14AWG, 15-amp NEMA rated 3-conductor SJT. The 3-prong plug is oriented on a 90 degree angle off the power cord. The power cord is strain relief mounted to the rear of the module's aluminum housing. Module colors available are Warm Grey, Cool Grey, White, and Black in matte finishes. The cord is in black color only.

Model/Family Numbers

* Table Families - MYTB

Base Construction

Table bases are 3/4" O.D. 16-gauge round steel tubing, welded to a 12-gauge steel spider. The legs are fastened to the tabletop with #10 x 3/4" long wood screws. The bases are finished in either chrome plating or baked-on electrostatically-applied powder-coat paint. Powder-coat paint is available in standard KI paint colors. See Color Addendum.

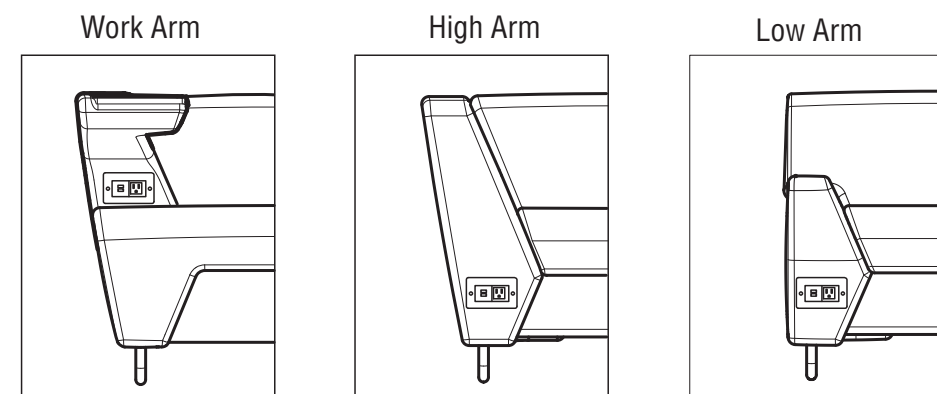
Tabletop Construction

Tabletops consist of .035" thick plastic laminate top surface glued over 45 lb density particle board. A 1/32" phenolic backer is laminated on the underside for balanced laminate construction and helps prevent moisture absorption in the core material. Finished tabletop thickness is 1 1/4". The table edge band is 2 mm polypropylene (74P) and is available in a variety of colors. Laminate colors are per KI Color Addendum.

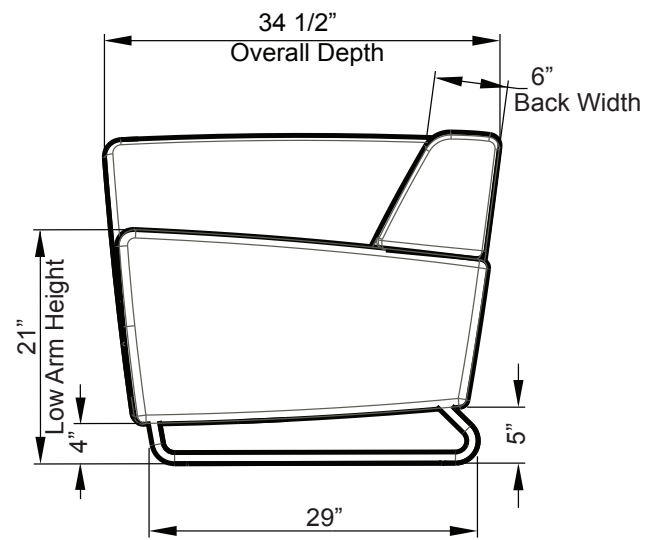
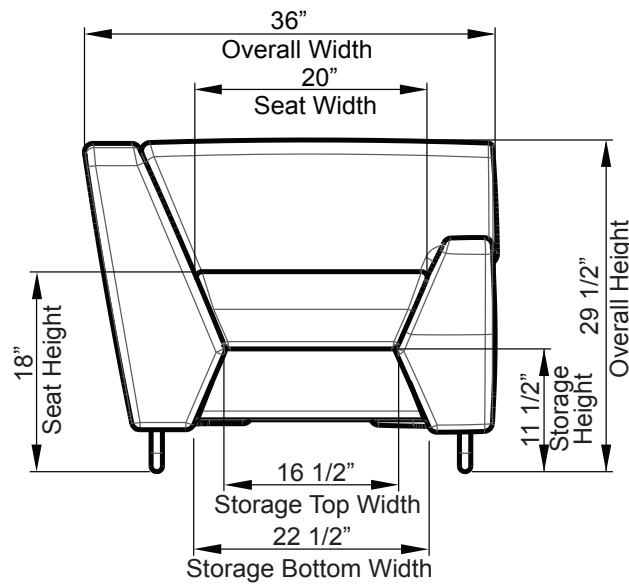
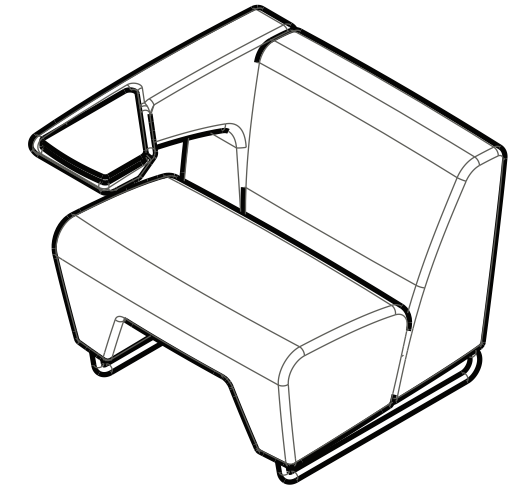
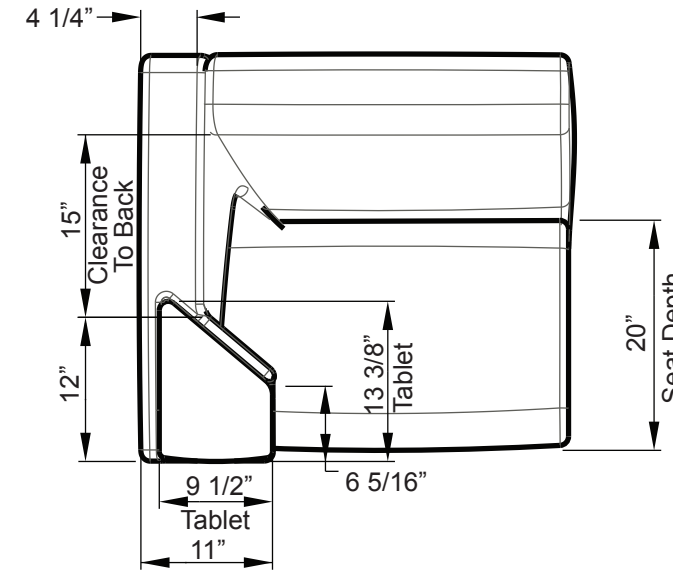
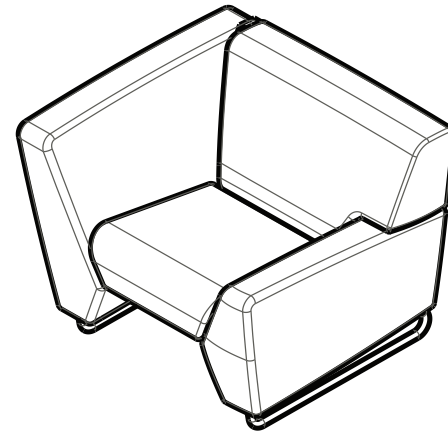
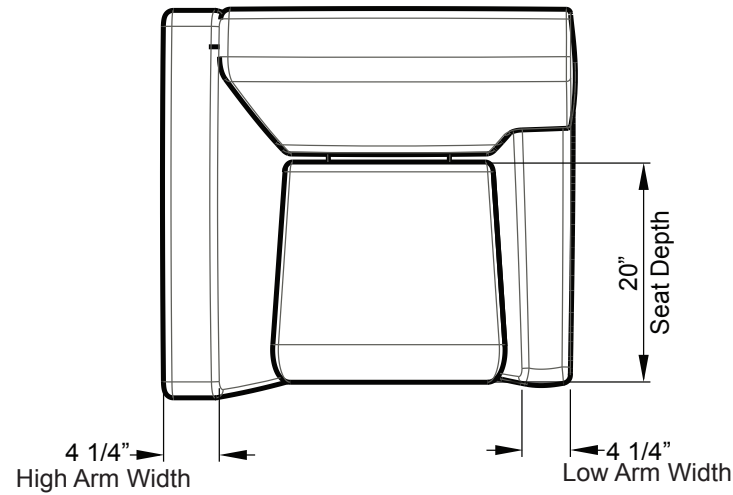
Floor Glides

Floor glides are black nylon, rectangular saddle style friction-fitted into the steel tube frame.

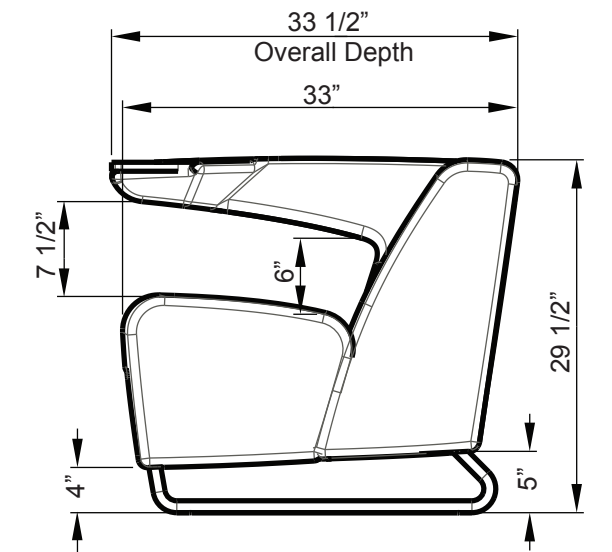
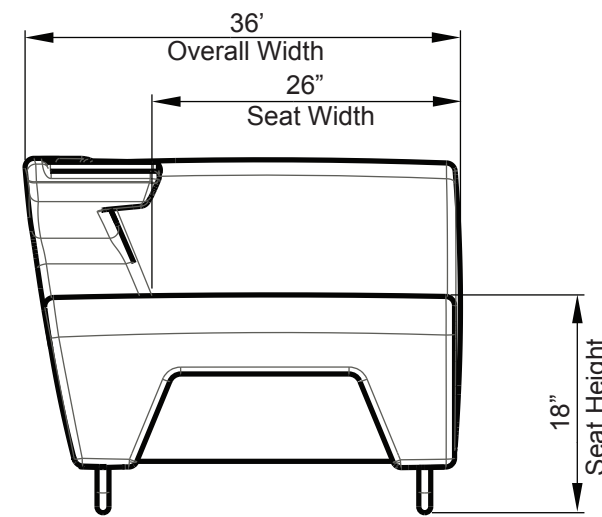
MyWay's Optional Power Locations



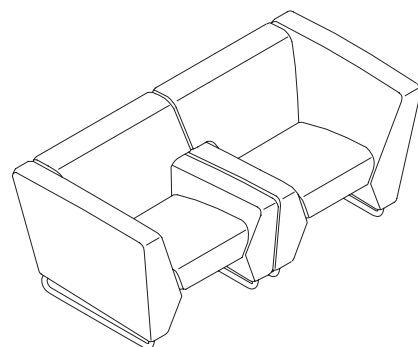
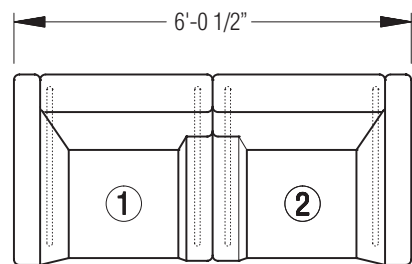
*Power can be specified on either the left-facing side, or the right-facing side of MyWay Lounge chairs. (Left-facing side power shown in images above)



Model MYHL

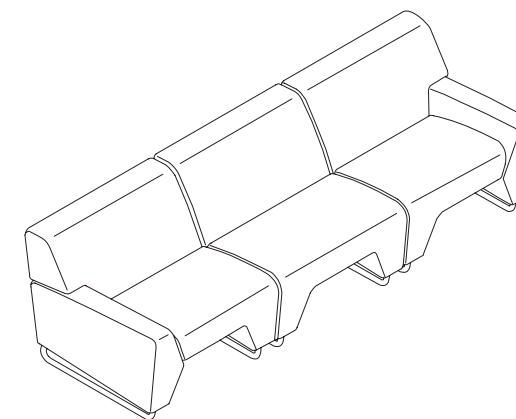
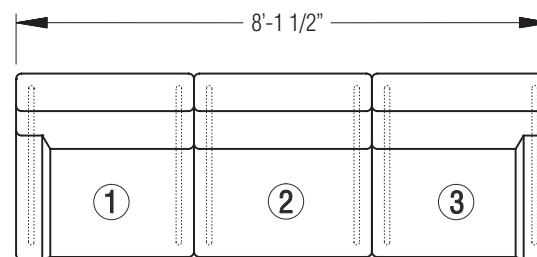


Model MYWN



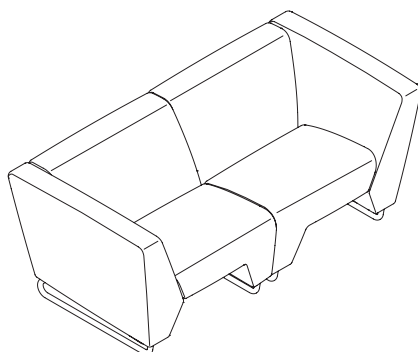
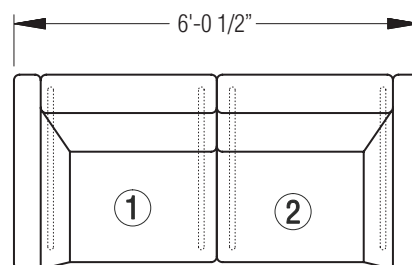
ITEM	QTY	MODEL
1	1	MYHL
2	1	MYLH

Two Seat - Low Arm/High Arm Configuration



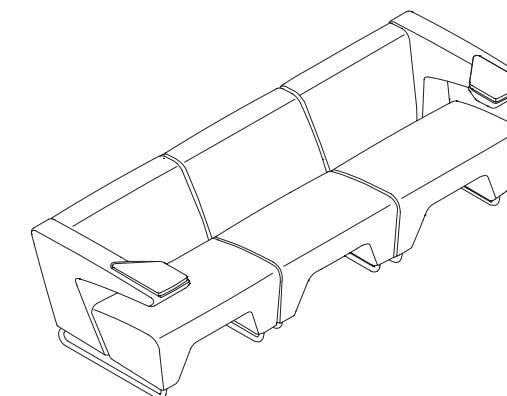
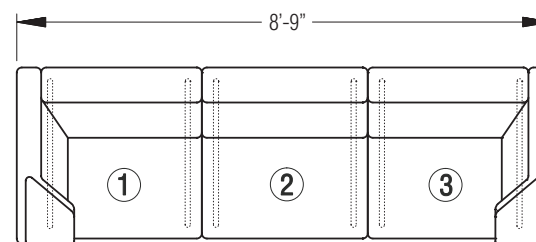
ITEM	QTY	MODEL
1	1	MYLN
2	1	MYNN
3	1	MYNL

Three Seat - Low Arm/No Arm Configuration



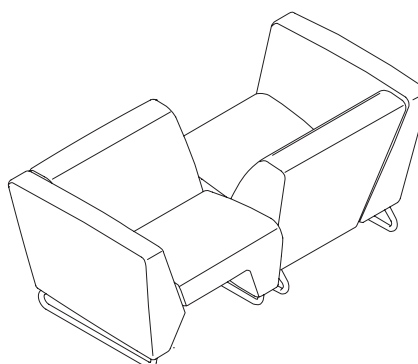
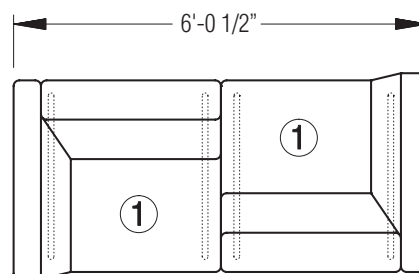
ITEM	QTY	MODEL
1	1	MYHN
2	1	MYNH

Two Seat - No Arm/High Arm Configuration



ITEM	QTY	MODEL
1	1	MYWN
2	1	MYNN
3	1	MYNW

Three Seat - Work Arm/No Arm Configuration



ITEM	QTY	MODEL
1	2	MYHN

Two Seat - No Arm/High Arm Configuration



Base Finish		Frosty White	EFW	North Sea	LNA
Black	BL	Hartley Walnut	EHW	Ocean	LON
Blue Grey	GR	Hazy Jade	EHJ	Pinnacle Walnut	LPW
Bronze Metallic	ZM	Italian Silver Ash	EIT	River Cherry	LRY
Cayenne	CY	Kensington Maple	EKM	Shadow Zephyr	LSR
Champagne Metallic	CM	Light Tone	ELG	Sterling Ash	LAZ
Chrome	CH	Mardi Gras	EMG	Titanium Evolv	LTV
Cool Grey	CG	Misty Brown	EMY	White Nebula	LWL
Cottonwood	CO	Monticello Maple	EMT	White Sand	LWN
Earthen Clay	EY	Multiplex	EMB	Windsor Mahogany	LWY
Espresso Metallic	EX	Nemo	ENE		
Everglade Shade	EV	Nordic	END	Surface Finish--Grade 2 Standard Laminate	
Flannel	FN	Pinnacle Walnut	EPW	Akira	LAK
Glitz Metallic	GZ	Poppy Red	EPR	Black Alicante	LBY
Hazy Jade	HJ	Rainforest	ERQ	Black Hills Oak	LBH
Honey Bee	HY	Raleigh Walnut	ERW	Calcutta Marble	LCQ
Light Tone	LG	River Cherry	ERY	Dering Forest	LDF
Mardi Gras	MG	Rubber Ducky	ERK	Fawn Cypress	LFQ
Misty Brown	MY	Sand	ESA	Ice Mist	LIM
Nemo	NE	Sky Blue	ESK	Markerboard White	LMK
Nordic	ND	Solano Walnut	ESG	Valley Forge Elm	LVF
Poppy Red	PR	Sterling Ash	EAZ	White River Forest	LWR
Purple Haze	PH	Surf's Up	ESP		
Rainforest	RQ	Tarragon	ETQ	Surface Finish--Grade 3 Standard Laminate	
Raw Jasper	RJ	Twilight Shadow	ETI	Black Velvet	LBV
Rubber Ducky	RK	Ultra Blue	EUB	Cumberland Walnut	LCJ
Sand	SA	Valley Forge Elm	EVF	Designer White Velvet	LDE
Sky Blue	SK	Warm Grey	EVF	Hartley Walnut	LHW
Starlight Silver Metallic	SX	White River Forest	EWG	Nile Velvet	LNL
Surf's Up	SP	Windsor Mahogany	EWR	Raleigh Walnut	LRW
Tarragon	TQ	Zesty Lime	EWY	Solano Walnut	LSG
Twilight Shadow	TI		EZL	Spruce Velvet	LSC
Ultra Blue	UB	Surface Finish--Grade 1 Standard Laminate			
Warm Grey	WG	Beigewood	LBZ		
Zesty Lime	ZL	Belair	LBQ		
		Biltmore Cherry	LBT		
		Black	LBK		
Table Edge Color		Brighton Walnut	LBW		
Akira	EAK	Castle Oak	LCO		
Beigewood	EBZ	Cherry Storm	LCX		
Belair	EBQ	Classic Linen	LCI		
Biltmore Cherry	EBT	Cocobala	LCC		
Black	EBL	Crisp Linen	LRI		
Black Hills Oak	EBH	Designer White	LDR		
Blue Grey	EGR	Dove Grey	LDG		
Brighton Walnut	EBW	Florence Walnut	LFC		
Castle Oak	ECO	Friston Ash	LFH		
Cayenne	ECY	Frosty White	LFW		
Cherry Storm	ECX	Graphite Nebula	LGN		
Cocobala	ECC	Grey	LGE		
Cool Grey	ECG	High Rise	LHE		
Cumberland Walnut	ECJ	Hollyberry	LHY		
Dering Forest	EDF	Island	LID		
Designer White	EDR	Italian Silver Ash	LIT		
Everglade Shade	EEV	Kensington Maple	LKM		
Fawn Cypress	EFQ	Lapis Blue	LLB		
Flannel	EFN	Monticello Maple	LMT		
Florence Walnut	EFC				
Friston Ash	EFH				

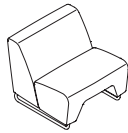

Finish Cards

View color swatches for items listed within this document.

- [Paints](#)
- [Wood/Veneer](#)
- [Molded Edges](#)
- [Hard Plastics](#)
- [Plastics/Poly](#)
- [Laminates](#)
- [Edge Styles](#)
- [Glass](#)

Certain options referenced may not be available on GSA Schedule.



MODEL	Features	MODEL NUMBER						Approx. Packaged Weight	Delivered Pricing	Moisture Barrier add to list price
		Basic Model	Non-Contrast or Fabric Contrast 1	Base Finish	Ganging Option	Glide Option	Moisture Barrier			
 MYN1 No Arm Sled Base Lounge • Non-contrast C.O.M = 4 yds	Non-contrast	MYNN/NC	<input type="checkbox"/> <input type="checkbox"/> <input type="checkbox"/> <input type="checkbox"/>	<input type="checkbox"/> <input type="checkbox"/>	<input type="checkbox"/> <input type="checkbox"/> <input type="checkbox"/>	<input type="checkbox"/> <input type="checkbox"/>	<input type="checkbox"/> <input type="checkbox"/> <input type="checkbox"/>	80.00#	\$ 2075	\$ 203
 MYN1 No Arm 4-Leg Lounge • Legs have a polished aluminum finish • Non-contrast C.O.M = 4 yds	Non-contrast	MYNN4L/NC	<input type="checkbox"/> <input type="checkbox"/> <input type="checkbox"/> <input type="checkbox"/>		<input type="checkbox"/> <input type="checkbox"/> <input type="checkbox"/>		<input type="checkbox"/> <input type="checkbox"/> <input type="checkbox"/>	80.00#	\$ 2414	\$ 203

A **B** **C** **D** **E** **F**

HOW TO ORDER

- Indicate the following information on order form:
- Quantity of each item.
 - Model number, including options. See "How To Build a Model Number".
 - Any special service required.

Note:

- The indicates that a choice is required.
- The absence of the indicates that no choice is required.
- Alpha-numeric characters in place of indicate that no other alternatives are available.

HOW TO BUILD A MODEL NUMBER

See pricing column for moisture barrier upcharge.

- A** Select basic model.
- B** Select non-contrast or fabric contrast 1. Refer to ki.com/fabrics.
 - For yardage pricing, see Fabric Yardage Pricing page
- C** Select base finish color. Refer to the **Product Color Options** page in this price list.
- D** Select ganging option.
 - HNG** - No gangers
 - HWG** - Ganging; add \$76
 Two ganging assemblies shipped per unit.
- E** Select glide option.
 - NGL** - No glides
 - GNY** - Nylon glides (black); add \$7
- F** Select moisture barrier.
 - NMB** - No moisture barrier
 - MB** - Moisture barrier

INFORMATION

C.O.M. Requirements
 C.O.M. yardage requirements listed above are based on plain goods 54" wide. If less than 54" wide or fabrics requiring matching (stripes, plaids, prints, large patterns), additional yardage will be needed. Consult C.O.M. matrix on the Ordering C.O.M. and C.O.L. page for additional yardage needed. For C.O.M. fabric sent to KI-High Point on multiple rolls, add an additional yard of fabric per roll to the yardage requirements.

C.O.L. Requirements
 Figure 18 sq. ft. of leather (C.O.L.) for each yard shown (i.e., 4.75 x 18 = 85.5 sq. ft.).

Contrasting Upholstery
 When contrasting fabric is chosen, price at highest in-grade.

Minimum Fabric/Leather Quantity
 Minimum order for fabric is 1 yard. Minimum order for leather is 1 hide (approximately 50 sq. ft.).

NOTE

Ganging
 Only Low Arm to Low Arm, No Arm to No Arm, and No Arm to Low Arm sides will gang together. Work Arm and High Arm sides cannot gang.

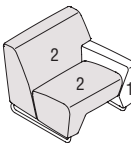
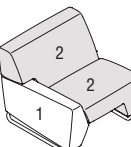
SPECIAL SERVICES

Special Carton Marking
 With specially marked information N/C

Shipping
 Ships **assembled, FOB High Point, NC 27263, freight prepaid.** Freight class 175

Specifications and prices are subject to change without prior notice.



Features	MODEL NUMBER										Approx. Packaged Weight	Delivered Pricing	Moisture Barrier add to list price	
	Basic Model	Non-Contrast or Fabric Contrast 1	Fabric Contrast 2	Base Finish	Cup Holder	Glide Option	Power Option	Power Location	Ganging Option	Moisture Barrier				
 MYL2 Left Facing No Arm/ Right Facing Low Arm Sled Base Lounge • Non-contrast C.O.M = 4 yds • 1 = Arm (Fabric Contrast 1) C.O.M. = 1.5 yd • 2 = Seat and back (Fabric Contrast 2) C.O.M. = 3.25 yd	Non-contrast	MYNL/NC	<input type="checkbox"/> <input type="checkbox"/> <input type="checkbox"/> <input type="checkbox"/>		<input type="checkbox"/> <input type="checkbox"/>	<input type="checkbox"/> <input type="checkbox"/> <input type="checkbox"/> <input type="checkbox"/>	<input type="checkbox"/> <input type="checkbox"/>	<input type="checkbox"/> <input type="checkbox"/> <input type="checkbox"/> <input type="checkbox"/>	RFP	<input type="checkbox"/> <input type="checkbox"/> <input type="checkbox"/> <input type="checkbox"/>	<input type="checkbox"/> <input type="checkbox"/>	90.00#	\$ 2353	\$ 217
	Contrast	MYNL/FC	<input type="checkbox"/> <input type="checkbox"/> <input type="checkbox"/> <input type="checkbox"/>	<input type="checkbox"/> <input type="checkbox"/> <input type="checkbox"/> <input type="checkbox"/>	<input type="checkbox"/> <input type="checkbox"/>	<input type="checkbox"/> <input type="checkbox"/> <input type="checkbox"/> <input type="checkbox"/>	<input type="checkbox"/> <input type="checkbox"/>	<input type="checkbox"/> <input type="checkbox"/> <input type="checkbox"/> <input type="checkbox"/>	RFP	<input type="checkbox"/> <input type="checkbox"/> <input type="checkbox"/> <input type="checkbox"/>	<input type="checkbox"/> <input type="checkbox"/>	90.00#	2440	217
 MYL2 Left Facing Low Arm/ Right Facing No Arm Sled Base Lounge • Non-contrast C.O.M = 4.75 yds • 1 = Arm (Fabric Contrast 1) C.O.M. = 1.5 yd • 2 = Seat and back (Fabric Contrast 2) C.O.M. = 3.25 yd	Non-contrast	MYLN/NC	<input type="checkbox"/> <input type="checkbox"/> <input type="checkbox"/> <input type="checkbox"/>		<input type="checkbox"/> <input type="checkbox"/>	<input type="checkbox"/> <input type="checkbox"/> <input type="checkbox"/> <input type="checkbox"/>	<input type="checkbox"/> <input type="checkbox"/>	<input type="checkbox"/> <input type="checkbox"/> <input type="checkbox"/> <input type="checkbox"/>	LFP	<input type="checkbox"/> <input type="checkbox"/> <input type="checkbox"/> <input type="checkbox"/>	<input type="checkbox"/> <input type="checkbox"/>	90.00#	\$ 2353	\$ 217
	Contrast	MYLN/FC	<input type="checkbox"/> <input type="checkbox"/> <input type="checkbox"/> <input type="checkbox"/>	<input type="checkbox"/> <input type="checkbox"/> <input type="checkbox"/> <input type="checkbox"/>	<input type="checkbox"/> <input type="checkbox"/>	<input type="checkbox"/> <input type="checkbox"/> <input type="checkbox"/> <input type="checkbox"/>	<input type="checkbox"/> <input type="checkbox"/>	<input type="checkbox"/> <input type="checkbox"/> <input type="checkbox"/> <input type="checkbox"/>	LFP	<input type="checkbox"/> <input type="checkbox"/> <input type="checkbox"/> <input type="checkbox"/>	<input type="checkbox"/> <input type="checkbox"/>	90.00#	2440	217

HOW TO ORDER

Indicate the following information on order form:

- Quantity of each item.
- Model number, including options. See "How To Build a Model Number".
- Any special service required.

Note:

- The indicates that a choice is required.
- The absence of the indicates that no choice is required.
- Alpha-numeric characters in place of indicate that no other alternatives are available.

HOW TO BUILD A MODEL NUMBER

A Select basic model.

B Select non-contrast or fabric contrast 1. Refer to ki.com/fabrics.

- For yardage pricing, see Fabric Yardage Pricing page

C Select fabric contrast 2. Refer to ki.com/fabrics.

- For yardage pricing, see Fabric Yardage Pricing page

D Select base finish color. Refer to the **Product Color Options** page in this price list.

E Select cup holder option.

- MNCH** - No cup holder
- MWLC** - Left facing cup holder; add \$240
- MWRC** - Right facing cup holder; add \$240

Cup holder is available on Low Arm only.

F Select glide option.

G Select power option.

- MBL** - Black; add \$355
- MCG** - Cool Grey; add \$355
- MWG** - Warm Grey; add \$355
- MWH** - White; add \$355
- NP** - No power

H Select location of power.

- LFP** - Left facing power
- RFP** - Right facing power

No location selection is needed if No Power (NP) is selected.

I Select ganging option.

- HNG** - No gangers
- HWG** - Ganging; add \$76

Two ganging assemblies shipped per unit.

J Select moisture barrier.

- NMB** - No moisture barrier
- MB** - Moisture barrier

See pricing column for moisture barrier upcharge.

INFORMATION

C.O.M. Requirements
C.O.M. yardage requirements listed above are based on plain goods 54" wide. If less than 54" wide or fabrics requiring matching (stripes, plaids, prints, large patterns), additional yardage will be needed. Consult C.O.M. matrix on the Ordering C.O.M. and C.O.L. page for additional yardage needed. For C.O.M. fabric sent to KI-High Point on multiple rolls, add an additional yard of fabric per roll to the yardage requirements.

C.O.L. Requirements
Figure 18 sq. ft. of leather (C.O.L.) for each yard shown (i.e., 4.75 x 18 = 85.5 sq. ft.).

Contrasting Upholstery
When contrasting fabric is chosen, price at highest in-grade.

Minimum Fabric/Leather Quantity
Minimum order for fabric is 1 yard. Minimum order for leather is 1 hide (approximately 50 sq. ft.).

NOTE

Ganging
Only Low Arm to Low Arm, No Arm to No Arm, and No Arm to Low Arm sides will gang together. Work Arm and High Arm sides cannot gang.

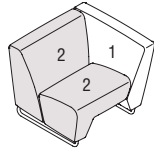
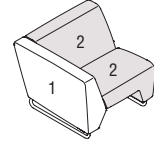
SPECIAL SERVICES

Special Carton Marking
With specially marked information N/C

Shipping
Ships assembled, FOB High Point, NC 27263, freight prepaid. Freight class 175

Specifications and prices are subject to change without prior notice.



Features	MODEL NUMBER										Approx. Packaged Weight	Delivered Pricing	Moisture Barrier add to list price
	Basic Model	Non-Contrast or Fabric Contrast 1	Fabric Contrast 2	Base Finish	Glide Option	Power Option	Power Location	Ganging Option	Moisture Barrier				
 MYN2 Left Facing No Arm/ Right Facing High Arm Sled Base Lounge • Non-contrast C.O.M = 4.5 yds • 1 = Arm (Fabric Contrast 1) C.O.M. = 2.5 yd • 2 = Seat and back (Fabric Contrast 2) C.O.M. = 3 yd	Non-contrast	MYNH/NC	□□□□		□□	□□	□□□	RFP	□□□	□□□	105.00#	\$ 2567	\$ 220
	Contrast	MYNH/FC	□□□□	□□□□	□□	□□	□□□	RFP	□□□	□□□	105.00#	2654	220
 MYN2 Left Facing High Arm/ Right Facing No Arm Sled Base Lounge • Non-contrast C.O.M = 4.5 yds • 1 = Arm (Fabric Contrast 1) C.O.M. = 2.5 yd • 2 = Seat and back (Fabric Contrast 2) C.O.M. = 3 yd	Non-contrast	MYHN/NC	□□□□		□□	□□	□□□	LFP	□□□	□□□	105.00#	\$ 2567	\$ 220
	Contrast	MYHN/FC	□□□□	□□□□	□□	□□	□□□	LFP	□□□	□□□	105.00#	2654	220

HOW TO ORDER

- Indicate the following information on order form:
- Quantity of each item.
 - Model number, including options. See "How To Build a Model Number".
 - Any special service required.

Note: • The indicates that a choice is required.
 • The absence of the indicates that no choice is required.
 • Alpha-numeric characters in place of indicate that no other alternatives are available.

HOW TO BUILD A MODEL NUMBER

- A** Select basic model.
- B** Select non-contrast or fabric contrast 1. Refer to ki.com/fabrics.
 • For yardage pricing, see Fabric Yardage Pricing page
- C** Select fabric contrast 2. Refer to ki.com/fabrics.
 • For yardage pricing, see Fabric Yardage Pricing page
- D** Select base finish color. Refer to the **Product Color Options** page in this price list.
- E** Select glide option.
 NGL - No glides
 GNY - Nylon glides (black); add \$7
- F** Select power option.
 MBL - Black; add \$355
 MCG - Cool Grey; add \$355

- MWG - Warm Grey; add \$355
- MWH - White; add \$355
- NP - No power
- G** Select location of power.
 LFP - Left facing power
 RFP - Right facing power
 No location selection is needed if No Power (NP) is selected.
- H** Select ganging option.
 HNG - No gangers
 HWG - Ganging; add \$76
 Two ganging assemblies shipped per unit.
- I** Select moisture barrier.
 NMB - No moisture barrier
 MB - Moisture barrier
 See pricing column for moisture barrier upcharge.

INFORMATION

C.O.M. Requirements
 C.O.M. yardage requirements listed above are based on plain goods 54" wide. If less than 54" wide or fabrics requiring matching (stripes, plaids, prints, large patterns), additional yardage will be needed. Consult C.O.M. matrix on the Ordering C.O.M. and C.O.L. page for additional yardage needed. For C.O.M. fabric sent to KI-High Point on multiple rolls, add an additional yard of fabric per roll to the yardage requirements.

C.O.L. Requirements
 Figure 18 sq. ft. of leather (C.O.L.) for each yard shown (i.e., 4.75 x 18 = 85.5 sq. ft.).

Contrasting Upholstery
 When contrasting fabric is chosen, price at highest in-grade.

Minimum Fabric/Leather Quantity
 Minimum order for fabric is 1 yard. Minimum order for leather is 1 hide (approximately 50 sq. ft.).

NOTE

Ganging
 Only Low Arm to Low Arm, No Arm to No Arm, and No Arm to Low Arm sides will gang together. Work Arm and High Arm sides cannot gang.

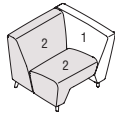
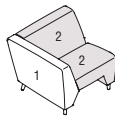
SPECIAL SERVICES

Special Carton Marking
 With specially marked information N/C

Shipping
 Ships assembled, FOB High Point, NC 27263, freight prepaid. Freight class 175

Specifications and prices are subject to change without prior notice.



MODEL	Features	MODEL NUMBER							Approx. Packaged Weight	Delivered Pricing	Moisture Barrier add to list price	
		Basic Model	Non-Contrast or Fabric Contrast 1	Fabric Contrast 2	Power Option	Power Location	Ganging Option	Moisture Barrier				
 MYN2	Left Facing No Arm/ Right Facing High Arm 4-Leg Lounge • Legs have a polished aluminum finish • Non-contrast C.O.M = 4.5 yds • 1 = Arm (Fabric Contrast 1) C.O.M. = 2.5 yd • 2 = Seat and back (Fabric Contrast 2) C.O.M. = 3 yd	Non-contrast	MYNH4L/NC	<input type="checkbox"/> <input type="checkbox"/> <input type="checkbox"/> <input type="checkbox"/>		<input type="checkbox"/> <input type="checkbox"/>	RFP	<input type="checkbox"/> <input type="checkbox"/>	<input type="checkbox"/> <input type="checkbox"/>	105.00#	\$ 2913	\$ 220
		Contrast	MYNH4L/FC	<input type="checkbox"/> <input type="checkbox"/> <input type="checkbox"/> <input type="checkbox"/>	<input type="checkbox"/> <input type="checkbox"/> <input type="checkbox"/> <input type="checkbox"/>	<input type="checkbox"/> <input type="checkbox"/>	RFP	<input type="checkbox"/> <input type="checkbox"/>	<input type="checkbox"/> <input type="checkbox"/>	105.00#	3003	220
 MYN2	Left Facing High Arm/ Right Facing No Arm 4-Leg Lounge • Legs have a polished aluminum finish • Non-contrast C.O.M = 4.5 yds • 1 = Arm (Fabric Contrast 1) C.O.M. = 2.5 yd • 2 = Seat and back (Fabric Contrast 2) C.O.M. = 3 yd	Non-contrast	MYHN4L/NC	<input type="checkbox"/> <input type="checkbox"/> <input type="checkbox"/> <input type="checkbox"/>		<input type="checkbox"/> <input type="checkbox"/>	LFP	<input type="checkbox"/> <input type="checkbox"/>	<input type="checkbox"/> <input type="checkbox"/>	105.00#	\$ 2913	\$ 220
		Contrast	MYHN4L/FC	<input type="checkbox"/> <input type="checkbox"/> <input type="checkbox"/> <input type="checkbox"/>	<input type="checkbox"/> <input type="checkbox"/> <input type="checkbox"/> <input type="checkbox"/>	<input type="checkbox"/> <input type="checkbox"/>	LFP	<input type="checkbox"/> <input type="checkbox"/>	<input type="checkbox"/> <input type="checkbox"/>	105.00#	3003	220
			A	B	C	D	E	F	G			

HOW TO ORDER

- Indicate the following information on order form:
- Quantity of each item.
 - Model number, including options. See "How To Build a Model Number".
 - Any special service required.

Note:

- The indicates that a choice is required.
- The absence of the indicates that no choice is required.
- Alpha-numeric characters in place of indicate that no other alternatives are available.

HOW TO BUILD A MODEL NUMBER

- A** Select basic model.
- B** Select non-contrast or fabric contrast 1. Refer to ki.com/fabrics.
 - For yardage pricing, see Fabric Yardage Pricing page
- C** Select fabric contrast 2. Refer to ki.com/fabrics.
 - For yardage pricing, see Fabric Yardage Pricing page
- D** Select power option.

MBL	- Black; add \$355
MCG	- Cool Grey; add \$355
MWG	- Warm Grey; add \$355
MWH	- White; add \$355
NP	- No power
- E** Select location of power.

LFP	- Left facing power
RFP	- Right facing power

 No location selection is needed if No Power
- F** Select ganging option.

HNG	- No gangers
HWG	- Ganging; add \$76

 Two ganging assemblies shipped per unit.
- G** Select moisture barrier.

NMB	- No moisture barrier
MB	- Moisture barrier

 See pricing column for moisture barrier upcharge.

(NP) is selected.

INFORMATION

C.O.M. Requirements
 C.O.M. yardage requirements listed above are based on plain goods 54" wide. If less than 54" wide or fabrics requiring matching (stripes, plaids, prints, large patterns), additional yardage will be needed. Consult C.O.M. matrix on the Ordering C.O.M. and C.O.L. page for additional yardage needed. For C.O.M. fabric sent to KI-High Point on multiple rolls, add an additional yard of fabric per roll to the yardage requirements.

C.O.L. Requirements
 Figure 18 sq. ft. of leather (C.O.L.) for each yard shown (i.e., 4.75 x 18 = 85.5 sq. ft.).

Contrasting Upholstery
 When contrasting fabric is chosen, price at highest in-grade.

Minimum Fabric/Leather Quantity
 Minimum order for fabric is 1 yard. Minimum order for leather is 1 hide (approximately 50 sq. ft.).

NOTE

Ganging
 Only Low Arm to Low Arm, No Arm to No Arm, and No Arm to Low Arm sides will gang together. Work Arm and High Arm sides cannot gang.

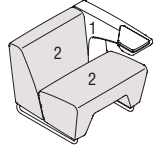
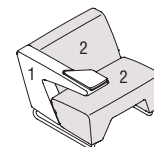
SPECIAL SERVICES

Special Carton Marking
 With specially marked information N/C

Shipping
 Ships assembled, FOB High Point, NC 27263, freight prepaid. Freight class 175

Specifications and prices are subject to change without prior notice.



Features	MODEL NUMBER										Approx. Packaged Weight	Delivered Pricing	Laminate Grade 2 add to list price	Moisture Barrier add to list price	Laminate Grade 3 add to list price
	Basic Model	Non-Cont or Fabric Cont 1	Fabric Cont 2	Base Finish	Glide Option	Lam Clr	Power Option	Power Location	Ganging Option	Moisture Barrier					
 MYN3 Left Facing No Arm/ Right Facing Work Arm Sled Base Lounge • Non-contrast C.O.M = 4.75 yds • 1 = Arm (Fabric Contrast 1) C.O.M. = 2 yd • 2 = Seat and back (Fabric Contrast 2) C.O.M. = 3.25 yd	Non-contrast	MYNW/NC	<input type="checkbox"/>		<input type="checkbox"/>	<input type="checkbox"/>	<input type="checkbox"/>	<input type="checkbox"/>	<input type="checkbox"/>	<input type="checkbox"/>	110.00#	\$ 2546	\$ 19	\$ 226	\$ 120
	Contrast	MYNW/FC	<input type="checkbox"/>	<input type="checkbox"/>	<input type="checkbox"/>	<input type="checkbox"/>	<input type="checkbox"/>	<input type="checkbox"/>	<input type="checkbox"/>	<input type="checkbox"/>	<input type="checkbox"/>	110.00#	2635	19	226
 MYN3 Left Facing Work Arm/ Right Facing No Arm Sled Base Lounge • Non-contrast C.O.M = 4.75 yds • 1 = Arm (Fabric Contrast 1) C.O.M. = 2 yd • 2 = Seat and back (Fabric Contrast 2) C.O.M. = 3.25 yd	Non-contrast	MYWN/NC	<input type="checkbox"/>		<input type="checkbox"/>	<input type="checkbox"/>	<input type="checkbox"/>	<input type="checkbox"/>	<input type="checkbox"/>	<input type="checkbox"/>	110.00#	\$ 2546	\$ 19	\$ 226	\$ 120
	Contrast	MYWN/FC	<input type="checkbox"/>	<input type="checkbox"/>	<input type="checkbox"/>	<input type="checkbox"/>	<input type="checkbox"/>	<input type="checkbox"/>	<input type="checkbox"/>	<input type="checkbox"/>	<input type="checkbox"/>	110.00#	2635	19	226

HOW TO ORDER

- Indicate the following information on order form:
- Quantity of each item.
 - Model number, including options. See "How To Build a Model Number".
 - Any special service required.

Note: • The indicates that a choice is required.
 • The absence of the indicates that no choice is required.
 • Alpha-numeric characters in place of indicate that no other alternatives are available.

HOW TO BUILD A MODEL NUMBER

- A** Select basic model.
- B** Select non-contrast or fabric contrast 1. Refer to ki.com/fabrics.
 • For yardage pricing, see Fabric Yardage Pricing page
- C** Select fabric contrast 2. Refer to ki.com/fabrics.
 • For yardage pricing, see Fabric Yardage Pricing page
- D** Select base finish color. Refer to the **Product Color Options** page in this price list.
- E** Select glide option.
 NGL - No glides
 GNY - Nylon glides (black); add \$7
- F** Select laminate color. Refer to the **Product Color Options** page in this price list.

Tablet edge finish is always Natural on beech.

- G** Select power option.
 MBL - Black; add \$355
 MCG - Cool Grey; add \$355
 MWG - Warm Grey; add \$355
 MWH - White; add \$355
 NP - No power
- H** Select location of power.
 RFP - Right facing power
 LFP - Left facing power
 No location selection is needed if No Power (NP) is selected.
- I** Select ganging option.
 HNG - No gangers
 HWG - Ganging; add \$76
 Two ganging assemblies shipped per unit.
- J** Select moisture barrier.
 NMB - No moisture barrier
 MB - Moisture barrier
 See pricing column for moisture barrier upcharge.

INFORMATION

C.O.M. Requirements
 C.O.M. yardage requirements listed above are based on plain goods 54" wide. If less than 54" wide or fabrics requiring matching (stripes, plaids, prints, large patterns), additional yardage will be needed. Consult C.O.M. matrix on the Ordering C.O.M. and C.O.L. page for additional yardage needed. For C.O.M. fabric sent to KI-High Point on multiple rolls, add an additional yard of fabric per roll to the yardage requirements.

C.O.L. Requirements
 Figure 18 sq. ft. of leather (C.O.L.) for each yard shown (i.e., 4.75 x 18 = 85.5 sq. ft.).

Contrasting Upholstery
 When contrasting fabric is chosen, price at highest in-grade.

Minimum Fabric/Leather Quantity
 Minimum order for fabric is 1 yard. Minimum order for leather is 1 hide (approximately 50 sq. ft.).

NOTE

Ganging
 Only Low Arm to Low Arm, No Arm to No Arm, and No Arm to Low Arm sides will gang together. Work Arm and High Arm sides cannot gang.

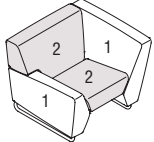
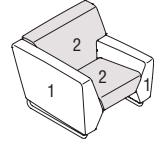
SPECIAL SERVICES

Special Carton Marking
 With specially marked information N/C

Shipping
 Ships assembled, FOB High Point, NC 27263, freight prepaid. Freight class 175

Specifications and prices are subject to change without prior notice.



Features	MODEL NUMBER										Approx. Packaged Weight	Delivered Pricing	Moisture Barrier add to list price	
	Basic Model	Non-Contrast or Fabric Contrast 1	Fabric Contrast 2	Base Finish	Cup Holder	Glide Option	Power Option	Power Location	Ganging Option	Moisture Barrier				
 <p>MYL3 Left Facing Low Arm/ Right Facing High Arm Sled Base Lounge</p> <ul style="list-style-type: none"> • Non-contrast C.O.M = 5.25 yds • 1 = Arms (Fabric Contrast 1) C.O.M. = 3 yd • 2 = Seat and back (Fabric Contrast 2) C.O.M. = 3 yd 	Non-contrast	MYLH/NC	□□□□		□□	□□□□	□□	□□□□	□□□□	□□□□	□□□□	110.00#	\$ 2655	\$ 240
	Contrast	MYLH/FC	□□□□	□□□□	□□	□□□□	□□	□□□□	□□□□	□□□□	□□□□	□□□□	110.00#	2743
 <p>MYL3 Left Facing High Arm/ Right Facing Low Arm Sled Base Lounge</p> <ul style="list-style-type: none"> • Non-contrast C.O.M = 5.25 yds • 1 = Arms (Fabric Contrast 1) C.O.M. = 3 yd • 2 = Seat and back (Fabric Contrast 2) C.O.M. = 3 yd 	Non-contrast	MYHL/NC	□□□□		□□	□□□□	□□	□□□□	□□□□	□□□□	□□□□	110.00#	\$ 2655	\$ 240
	Contrast	MYHL/FC	□□□□	□□□□	□□	□□□□	□□	□□□□	□□□□	□□□□	□□□□	□□□□	110.00#	2743

HOW TO ORDER

- Indicate the following information on order form:
1. Quantity of each item.
 2. Model number, including options. See "How To Build a Model Number".
 3. Any special service required.

Note: • The indicates that a choice is required.
 • The absence of the indicates that no choice is required.
 • Alpha-numeric characters in place of indicate that no other alternatives are available.

HOW TO BUILD A MODEL NUMBER

- A** Select basic model.
- B** Select non-contrast or fabric contrast 1.
Refer to ki.com/fabrics.
• For yardage pricing, see Fabric Yardage Pricing page
- C** Select fabric contrast 2.
Refer to ki.com/fabrics.
• For yardage pricing, see Fabric Yardage Pricing page
- D** Select base finish color.
Refer to the **Product Color Options** page in this price list.
- E** Select cup holder option.
MNCH - No cup holder
MWRC - Right facing cup holder; add \$240
MWLC - Left facing cup holder; add \$240
Cup holder is available on Low Arm only.

- F** Select glide option.
NGL - No glides
GNV - Nylon glides (black); add \$7
- G** Select power option.
MBL - Black; add \$355
MCG - Cool Grey; add \$355
MWG - Warm Grey; add \$355
MWH - White; add \$355
NP - No power
- H** Select location of power.
LFP - Left facing power
RFP - Right facing power
No location selection is needed if No Power (NP) is selected.
- I** Select ganging option.
HNG - No gangers
HWG - Ganging; add \$76
Two ganging assemblies shipped per unit.

- J** Select moisture barrier.
NMB - No moisture barrier
MB - Moisture barrier
See pricing column for moisture barrier upcharge.

INFORMATION

- C.O.M. Requirements**
C.O.M. yardage requirements listed above are based on plain goods 54" wide. If less than 54" wide or fabrics requiring matching (stripes, plaids, prints, large patterns), additional yardage will be needed. Consult C.O.M. matrix on the Ordering C.O.M. and C.O.L. page for additional yardage needed. For C.O.M. fabric sent to KI-High Point on multiple rolls, add an additional yard of fabric per roll to the yardage requirements.
- C.O.L. Requirements**
Figure 18 sq. ft. of leather (C.O.L.) for each yard shown (i.e., 4.75 x 18 = 85.5 sq. ft.).
- Contrasting Upholstery**
When contrasting fabric is chosen, price at highest in-grade.
- Minimum Fabric/Leather Quantity**
Minimum order for fabric is 1 yard. Minimum order for leather is 1 hide (approximately 50 sq. ft.).

NOTE

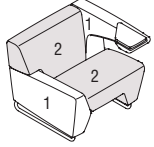
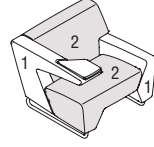
Ganging
Only Low Arm to Low Arm, No Arm to No Arm, and No Arm to Low Arm sides will gang together. Work Arm and High Arm sides cannot gang.

SPECIAL SERVICES

- Special Carton Marking**
With specially marked information N/C
- Shipping**
Ships **assembled, FOB High Point, NC 27263, freight prepaid.** Freight class 175

Specifications and prices are subject to change without prior notice.



Features	MODEL NUMBER											Approx. Packaged Weight	Delivered Pricing	Laminate Grade 2 add to list price	Moisture Barrier add to list price	Laminate Grade 3 add to list price
	Basic Model	Non-Cont or Fabric Cont 1	Fabric Cont 2	Base Finish	Cup Holder	Glide Option	Lam Clr	Power Option	Power Location	Gang. Option	Moist. Barrier					
 <p>MYL4 Left Facing Low Arm/ Right Facing Work Arm Sled Base Lounge</p> <ul style="list-style-type: none"> • Non-contrast C.O.M = 5.5 yds • 1 = Arms (Fabric Contrast 1) C.O.M. = 2.75 yd • 2 = Seat and back (Fabric Contrast 2) C.O.M. = 3 yd 	Non-contrast	MYLW/NC	<input type="checkbox"/>		<input type="checkbox"/>	<input type="checkbox"/>	<input type="checkbox"/>	<input type="checkbox"/>	<input type="checkbox"/>	<input type="checkbox"/>	<input type="checkbox"/>	115.00#	\$ 2628	\$ 19	\$ 240	\$ 120
	Contrast	MYLW/FC	<input type="checkbox"/>	<input type="checkbox"/>	<input type="checkbox"/>	<input type="checkbox"/>	<input type="checkbox"/>	<input type="checkbox"/>	<input type="checkbox"/>	<input type="checkbox"/>	<input type="checkbox"/>	<input type="checkbox"/>	115.00#	2715	19	240
 <p>MYL4 Left Facing Work Arm/ Right Facing Low Arm Sled Base Lounge</p> <ul style="list-style-type: none"> • Non-contrast C.O.M = 5.5 yds • 1 = Arms (Fabric Contrast 1) C.O.M. = 2.75 yd • 2 = Seat and back (Fabric Contrast 2) C.O.M. = 3 yd 	Non-contrast	MYWL/NC	<input type="checkbox"/>		<input type="checkbox"/>	<input type="checkbox"/>	<input type="checkbox"/>	<input type="checkbox"/>	<input type="checkbox"/>	<input type="checkbox"/>	<input type="checkbox"/>	115.00#	\$ 2628	\$ 19	\$ 240	\$ 120
	Contrast	MYWL/FC	<input type="checkbox"/>	<input type="checkbox"/>	<input type="checkbox"/>	<input type="checkbox"/>	<input type="checkbox"/>	<input type="checkbox"/>	<input type="checkbox"/>	<input type="checkbox"/>	<input type="checkbox"/>	<input type="checkbox"/>	115.00#	2715	19	240

HOW TO ORDER

- Indicate the following information on order form:
- Quantity of each item.
 - Model number, including options. See "How To Build a Model Number".
 - Any special service required.

Note: • The indicates that a choice is required.
• The absence of the indicates that no choice is required.
• Alpha-numeric characters in place of indicate that no other alternatives are available.

HOW TO BUILD A MODEL NUMBER

- A** Select basic model.
- B** Select non-contrast or fabric contrast 1. Refer to ki.com/fabrics.
• For yardage pricing, see Fabric Yardage Pricing page
- C** Select fabric contrast 2. Refer to ki.com/fabrics
• For yardage pricing, see Fabric Yardage Pricing page
- D** Select base finish color. Refer to the **Product Color Options** page in this price list.
- E** Select cup holder option.
MNCH - No cup holder
MWLC - Left facing cup holder; add \$240
MWRC - Right facing cup holder; add \$240
Cup holder is available on Low Arm only.

- F** Select glide option.
NGL - No glides
GNY - Nylon glides (black); add \$7
- G** Select laminate color. Refer to the **Product Color Options** page in this price list.
Tablet edge finish is always Natural on beech.
- H** Select power option.
MBL - Black; add \$355
MCG - Cool Grey; add \$355
MWG - Warm Grey; add \$355
MWH - White; add \$355
NP - No power
- I** Select location of power.
LFP - Left facing power
RFP - Right facing power
No location selection is needed if No Power (NP) is selected.
- J** Select ganging option.
HNG - No gangers
HWG - Ganging; add \$76

Two ganging assemblies shipped per unit.

- K** Select moisture barrier.
NMB - No moisture barrier
MB - Moisture barrier
See pricing column for moisture barrier upcharge.

INFORMATION

C.O.M. Requirements

C.O.M. yardage requirements listed above are based on plain goods 54" wide. If less than 54" wide or fabrics requiring matching (stripes, plaids, prints, large patterns), additional yardage will be needed. Consult C.O.M. matrix on the Ordering C.O.M. and C.O.L. page for additional yardage needed. For C.O.M. fabric sent to KI-High Point on multiple rolls, add an additional yard of fabric per roll to the yardage requirements.

C.O.L. Requirements

Figure 18 sq. ft. of leather (C.O.L.) for each yard shown (i.e., 4.75 x 18 = 85.5 sq. ft.).

Contrasting Upholstery

When contrasting fabric is chosen, price at highest in-grade.

Minimum Fabric/Leather Quantity

Minimum order for fabric is 1 yard. Minimum order for leather is 1 hide (approximately 50 sq. ft.).

NOTE

Ganging

Only Low Arm to Low Arm, No Arm to No Arm, and No Arm to Low Arm sides will gang together. Work Arm and High Arm sides cannot gang.

SPECIAL SERVICES

Special Carton Marking

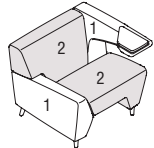
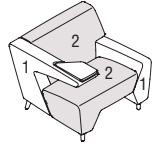
With specially marked information N/C

Shipping

Ships assembled, FOB High Point, NC 27263, freight prepaid. Freight class 175

Specifications and prices are subject to change without prior notice.



Features	MODEL NUMBER										Approx. Packaged Weight	Delivered Pricing	Laminate Grade 2 add to list price	Moisture Barrier add to list price	Laminate Grade 3 add to list price
	Basic Model	Non-Contrast or Fabric Contrast 1	Fabric Contrast 2	Cup Holder	Lam Clr	Power Option	Power Location	Ganging Option	Moist. Barrier						
 MYL4 Left Facing Low Arm/ Right Facing Work Arm 4-Leg Lounge • Legs have a polished aluminum finish • Non-contrast C.O.M = 5.5 yds • 1 = Arms (Fabric Contrast 1) C.O.M. = 2.75 yd • 2 = Seat and back (Fabric Contrast 2) C.O.M. = 3 yd	Non-contrast	MYLW4L/NC	<input type="checkbox"/> <input type="checkbox"/> <input type="checkbox"/> <input type="checkbox"/>		<input type="checkbox"/> <input type="checkbox"/>	<input type="checkbox"/> <input type="checkbox"/>	<input type="checkbox"/> <input type="checkbox"/>	<input type="checkbox"/> <input type="checkbox"/>	<input type="checkbox"/> <input type="checkbox"/>	<input type="checkbox"/> <input type="checkbox"/>	115.00#	\$ 2976	\$ 19	\$ 240	\$ 120
	Contrast	MYLW4L/FC	<input type="checkbox"/> <input type="checkbox"/> <input type="checkbox"/> <input type="checkbox"/>	<input type="checkbox"/> <input type="checkbox"/> <input type="checkbox"/> <input type="checkbox"/>	<input type="checkbox"/> <input type="checkbox"/>	<input type="checkbox"/> <input type="checkbox"/>	<input type="checkbox"/> <input type="checkbox"/>	<input type="checkbox"/> <input type="checkbox"/>	<input type="checkbox"/> <input type="checkbox"/>	<input type="checkbox"/> <input type="checkbox"/>	<input type="checkbox"/> <input type="checkbox"/>	115.00#	3063	19	240
 MYL4 Left Facing Work Arm/ Right Facing Low Arm 4-Leg Lounge • Legs have a polished aluminum finish • Non-contrast C.O.M = 5.5 yds • 1 = Arms (Fabric Contrast 1) C.O.M. = 2.75 yd • 2 = Seat and back (Fabric Contrast 2) C.O.M. = 3 yd	Non-contrast	MYWL4L/NC	<input type="checkbox"/> <input type="checkbox"/> <input type="checkbox"/> <input type="checkbox"/>		<input type="checkbox"/> <input type="checkbox"/>	<input type="checkbox"/> <input type="checkbox"/>	<input type="checkbox"/> <input type="checkbox"/>	<input type="checkbox"/> <input type="checkbox"/>	<input type="checkbox"/> <input type="checkbox"/>	<input type="checkbox"/> <input type="checkbox"/>	115.00#	\$ 2976	\$ 19	\$ 240	\$ 120
	Contrast	MYWL4L/FC	<input type="checkbox"/> <input type="checkbox"/> <input type="checkbox"/> <input type="checkbox"/>	<input type="checkbox"/> <input type="checkbox"/> <input type="checkbox"/> <input type="checkbox"/>	<input type="checkbox"/> <input type="checkbox"/>	<input type="checkbox"/> <input type="checkbox"/>	<input type="checkbox"/> <input type="checkbox"/>	<input type="checkbox"/> <input type="checkbox"/>	<input type="checkbox"/> <input type="checkbox"/>	<input type="checkbox"/> <input type="checkbox"/>	<input type="checkbox"/> <input type="checkbox"/>	115.00#	3063	19	240

A B C D E F G H I

HOW TO ORDER

- Indicate the following information on order form:
- Quantity of each item.
 - Model number, including options. See "How To Build a Model Number".
 - Any special service required.

Note: • The indicates that a choice is required.
 • The absence of the indicates that no choice is required.
 • Alpha-numeric characters in place of indicate that no other alternatives are available.

HOW TO BUILD A MODEL NUMBER

- A** Select basic model.
- B** Select non-contrast or fabric contrast 1. Refer to ki.com/fabrics.
 • For yardage pricing, see Fabric Yardage Pricing page
- C** Select fabric contrast 2. Refer to ki.com/fabrics.
 • For yardage pricing, see Fabric Yardage Pricing page
- D** Select cup holder option.
MNCH - No cup holder
MWLC - Left facing cup holder; add \$240
MWRC - Right facing cup holder; add \$240
 Cup holder is available on Low Arm only.
- E** Select laminate color. Refer to the **Product Color Options** page in this price list.
 Tablet edge finish is always Natural on beech.

- F** Select power option.
MBL - Black; add \$355
MCG - Cool Grey; add \$355
MWG - Warm Grey; add \$355
NP - No power
MWH - White; add \$355
- G** Select location of power.
LFP - Left facing power
RFP - Right facing power
 No location selection is needed if No Power (NP) is selected.
- H** Select ganging option.
HNG - No gangers
HWG - Ganging; add \$76
 Two ganging assemblies shipped per unit.
- I** Select moisture barrier.
NMB - No moisture barrier
MB - Moisture barrier
 See pricing column for moisture barrier upcharge.

INFORMATION

C.O.M. Requirements
 C.O.M. yardage requirements listed above are based on plain goods 54" wide. If less than 54" wide or fabrics requiring matching (stripes, plaids, prints, large patterns), additional yardage will be needed. Consult C.O.M. matrix on the Ordering C.O.M. and C.O.L. page for additional yardage needed. For C.O.M. fabric sent to KI-High Point on multiple rolls, add an additional yard of fabric per roll to the yardage requirements.

C.O.L. Requirements
 Figure 18 sq. ft. of leather (C.O.L.) for each yard shown (i.e., 4.75 x 18 = 85.5 sq. ft.).

Contrasting Upholstery
 When contrasting fabric is chosen, price at highest in-grade.

Minimum Fabric/Leather Quantity
 Minimum order for fabric is 1 yard. Minimum order for leather is 1 hide (approximately 50 sq. ft.).

NOTE

Ganging
 Only Low Arm to Low Arm, No Arm to No Arm, and No Arm to Low Arm sides will gang together. Work Arm and High Arm sides cannot gang.

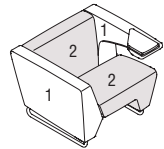
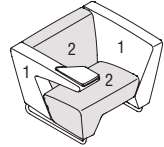
SPECIAL SERVICES

Special Carton Marking
 With specially marked information N/C

Shipping
 Ships assembled, FOB High Point, NC 27263, freight prepaid. Freight class 175

Specifications and prices are subject to change without prior notice.



Features	MODEL NUMBER									Approx. Packaged Weight	Delivered Pricing	Laminate Grade 2 add to list price	Moisture Barrier add to list price	Laminate Grade 3 add to list price	
	Basic Model	Non-Contrast or Fabric Contrast 1	Fabric Contrast 2	Base Finish	Glide Option	Lam Clr	Power Option	Power Location	Moisture Barrier						
 <p>MYH2 Left Facing High Arm/ Right Facing Work Arm Sled Base Lounge</p> <ul style="list-style-type: none"> Non-contrast C.O.M = 6 yds 1 = Arms (Fabric Contrast 1) C.O.M. = 3.25 yd 2 = Seat and back (Fabric Contrast 2) C.O.M. = 3 yd 	Non-contrast	MYHW/NC	□□□□		□□	□□	□□□	□□□	□□□	□□□	120.00#	\$ 2910	\$ 19	\$ 252	\$ 120
	Contrast	MYHW/FC	□□□□	□□□□	□□	□□	□□□	□□□	□□□	□□□	□□□	120.00#	2997	19	252
 <p>MYH2 Left Facing Work Arm/ Right Facing High Arm Sled Base Lounge</p> <ul style="list-style-type: none"> Non-contrast C.O.M = 6 yds 1 = Arms (Fabric Contrast 1) C.O.M. = 3.25 yd 2 = Seat and back (Fabric Contrast 2) C.O.M. = 3 yd 	Non-contrast	MYWH/NC	□□□□		□□	□□	□□□	□□□	□□□	□□□	120.00#	\$ 2910	\$ 19	\$ 252	\$ 120
	Contrast	MYWH/FC	□□□□	□□□□	□□	□□	□□□	□□□	□□□	□□□	□□□	120.00#	2997	19	252

A B C D E F G H I

HOW TO ORDER

- Indicate the following information on order form:
- Quantity of each item.
 - Model number, including options. See "How To Build a Model Number".
 - Any special service required.

Note: • The indicates that a choice is required.
 • The absence of the indicates that no choice is required.
 • Alpha-numeric characters in place of indicate that no other alternatives are available.

HOW TO BUILD A MODEL NUMBER

- A** Select basic model.
- B** Select non-contrast or fabric contrast 1. Refer to ki.com/fabrics.
 • For yardage pricing, see Fabric Yardage Pricing page
- C** Select fabric contrast 2. Refer to ki.com/fabrics.
 • For yardage pricing, see Fabric Yardage Pricing page
- D** Select base finish color. Refer to the **Product Color Options** page in this price list.
- E** Select glide option.
 NGL - No glides
 GNY - Nylon glides (black); add \$7
- F** Select laminate color. Refer to the **Product Color Options** page in this price list.

- Tablet edge finish is always Natural on beech.
- G** Select power option.
 MBL - Black; add \$355
 MCG - Cool Grey; add \$355
 MWG - Warm Grey; add \$355
 MWH - White; add \$355
 NP - No power
 - H** Select location of power.
 LFP - Left facing power
 RFP - Right facing power
 No location selection is needed if No Power (NP) is selected.
 - I** Select moisture barrier.
 NMB - No moisture barrier
 MB - Moisture barrier
 See pricing column for moisture barrier upcharge.

INFORMATION

- C.O.M. Requirements**
 C.O.M. yardage requirements listed above are based on plain goods 54" wide. If less than 54" wide or fabrics requiring matching (stripes, plaids, prints, large patterns), additional yardage will be needed. Consult C.O.M. matrix on the Ordering C.O.M. and C.O.L. page for additional yardage needed. For C.O.M. fabric sent to KI-High Point on multiple rolls, add an additional yard of fabric per roll to the yardage requirements.
- C.O.L. Requirements**
 Figure 18 sq. ft. of leather (C.O.L.) for each yard shown (i.e., 4.75 x 18 = 85.5 sq. ft.).
- Contrasting Upholstery**
 When contrasting fabric is chosen, price at highest in-grade.
- Minimum Fabric/Leather Quantity**
 Minimum order for fabric is 1 yard. Minimum order for leather is 1 hide (approximately 50 sq. ft).

NOTE

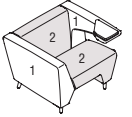
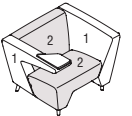
Gangling
 Only Low Arm to Low Arm, No Arm to No Arm, and No Arm to Low Arm sides will gang together. Work Arm and High Arm sides cannot gang.

SPECIAL SERVICES

Special Carton Marking
 With specially marked information N/C

Shipping
 Ships assembled, FOB High Point, NC 27263, freight prepaid. Freight class 175

Specifications and prices are subject to change without prior notice.

MODEL	Features	MODEL NUMBER							Approx. Packaged Weight	Delivered Pricing	Laminate Grade 2 add to list price	Moisture Barrier add to list price	Laminate Grade 3 add to list price	
		Basic Model	Non-Contrast or Fabric Cont 1	Fabric Cont 2	Lam Clr	Power Option	Power Location	Moisture Barrier						
 MYH2	Left Facing High Arm/ Right Facing Work Arm 4-Leg Lounge • Legs have a polished aluminum finish • Non-contrast C.O.M = 6 yds • 1 = Arms (Fabric Contrast 1) C.O.M. = 3.25 yd • 2 = Seat and back (Fabric Contrast 2) C.O.M. = 3 yd	Non-contrast	MYHW4L/NC	<input type="checkbox"/>						120.00#	\$ 3262	\$ 19	\$ 252	\$ 120
		Contrast	MYHW4L/FC	<input type="checkbox"/>	<input type="checkbox"/>	<input type="checkbox"/>	<input type="checkbox"/>	<input type="checkbox"/>	<input type="checkbox"/>	<input type="checkbox"/>	120.00#	3348	19	252
 MYH2	Left Facing Work Arm/ Right Facing High Arm 4-Leg Lounge • Legs have a polished aluminum finish • Non-contrast C.O.M = 6 yds • 1 = Arms (Fabric Contrast 1) C.O.M. = 3.25 yd • 2 = Seat and back (Fabric Contrast 2) C.O.M. = 3 yd	Non-contrast	MYWH4L/NC	<input type="checkbox"/>						120.00#	\$ 3262	\$ 19	\$ 252	\$ 120
		Contrast	MYWH4L/FC	<input type="checkbox"/>	<input type="checkbox"/>	<input type="checkbox"/>	<input type="checkbox"/>	<input type="checkbox"/>	<input type="checkbox"/>	<input type="checkbox"/>	120.00#	3348	19	252
				A	B	C	D	E	F	G				

HOW TO ORDER

- Indicate the following information on order form:
- Quantity of each item.
 - Model number, including options. See "How to Build a Model Number".
 - Any special service required.

Note: • The indicates that a choice is required.

- The absence of the indicates that no choice is required.
- Alpha-numeric characters in place of indicate that no other alternatives are available.

HOW TO BUILD A MODEL NUMBER

- A** Select basic model.

- B** Select non-contrast or fabric contrast 1.
Refer to ki.com/fabrics.
• For yardage pricing, see Fabric Yardage Pricing page

- C** Select fabric contrast 2.
Refer to ki.com/fabrics.
• For yardage pricing, see Fabric Yardage Pricing page

- D** Select laminate color.
Refer to the **Product Color Options** page in this price list.
Tablet edge finish is always Natural on beech.

- E** Select power option.

MBL	- Black; add \$355
MCG	- Cool Grey; add \$355
MWG	- Warm Grey; add \$355
NP	- No power
MWH	- White; add \$355

- F** Select location of power.

LFP - Left facing power
RFP - Right facing power

- No location selection is needed if No Power (NP) is selected.

- G** Select moisture barrier.

NMB - No moisture barrier
MB - Moisture barrier

- See pricing column for moisture barrier upcharge.

INFORMATION**C.O.M. Requirements**

C.O.M. yardage requirements listed above are based on plain goods 54" wide. If less than 54" wide or fabrics requiring matching (stripes, plaids, prints, large patterns), additional yardage will be needed. Consult C.O.M. matrix on the Ordering C.O.M. and C.O.L. page for additional yardage needed. For C.O.M. fabric sent to KI-High Point on multiple rolls, add an additional yard of fabric per roll to the yardage requirements.

C.O.L. Requirements

Figure 18 sq. ft. of leather (C.O.L.) for each yard shown (i.e., 4.75 x 18 = 85.5 sq. ft.).

Contrasting Upholstery

When contrasting fabric is chosen, price at highest in-grade.

Minimum Fabric/Leather Quantity

Minimum order for fabric is 1 yard. Minimum order for leather is 1 hide (approximately 50 sq. ft).

NOTE**Ganging**

Only Low Arm to Low Arm, No Arm to No Arm, and No Arm to Low Arm sides will gang together. Work Arm and High Arm sides cannot gang.

SPECIAL SERVICES**Special Carton Marking**



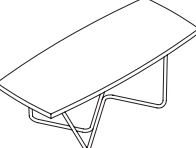
With specially marked information N/C

Shipping

Ships **assembled, FOB High Point, NC 27263, freight prepaid.** Freight class 175

Specifications and prices are subject to change without prior notice.



MODEL	W x D x H	MODEL NUMBER					Approx. Packaged Weight	Delivered Pricing	Laminate Grade 2 add to list price	Laminate Grade 3 add to list price
		Basic Model	Base Finish	Glide Option	Laminate Color	Edge Color				
 MYTB Small Laminate End Table	24 x 24 x 16"	MYTB9012	<input type="checkbox"/>	<input type="checkbox"/>	<input type="checkbox"/>	<input type="checkbox"/>	45.00#	\$ 1095	\$ 19	\$ 120
 MYTB Laminate End Table	24 x 24 x 22"	MYTB9013	<input type="checkbox"/>	<input type="checkbox"/>	<input type="checkbox"/>	<input type="checkbox"/>	50.00#	\$ 1112	\$ 19	\$ 120
 MYTB Laminate Coffee Table	24 x 40 x 16"	MYTB9014	<input type="checkbox"/>	<input type="checkbox"/>	<input type="checkbox"/>	<input type="checkbox"/>	75.00#	\$ 1414	\$ 19	\$ 120

A **B** **C** **D** **E**

HOW TO ORDER

- Indicate the following information on order form:
- Quantity of each item.
 - Model number, including options. See "How To Build a Model Number".
 - Any special service required.

Note:

- The indicates that a choice is required.
- The absence of the indicates that no choice is required.
- Alpha-numeric characters in place of indicate that no other alternatives are available.

HOW TO BUILD A MODEL NUMBER

- A** Select basic model.
- B** Select base finish color.
Refer to the **Product Color Options** page in this price list.
- C** Select glide option.

NGL	- No glides
GNY	- Nylon glides (black); add \$7
- D** Select laminate color.
Refer to the **Product Color Options** page in this price list.
- E** Select primary edge color.
Refer to the **Product Color Options** page in this price list.

SPECIAL SERVICES

Special Carton Marking

With specially marked information N/C

Shipping
Ships **assembled, FOB High Point, NC 27263, freight prepaid.** Freight class 175

Specifications and prices are subject to change without prior notice.



1330 BELLEVUE STREET
GREEN BAY, WI 54302
800.424.2432 / KI.COM

KI is a trusted expert for furniture and wall systems around the globe.
USA | CANADA | MEXICO | UK | EUROPE | ASIA | MIDDLE EAST
© 2026 Krueger International, Inc. All Rights Reserved.