



SONRISA™ LOUNGE FURNITURE

PRICE LIST

EFFECTIVE APRIL 9, 2026
800.424.2432



Fabric Yardage Pricing	3
Ordering Customer's Own Material (C.O.M.) Upholstery	
Information	4
Sonrisa™ Lounge Seating and Occasional Tables	
Product Color Options	6
Sonrisa™ Lounge Seating	
Technical Specifications	7
Lounge Chair - Armless	13
Lounge Chair - With Arm	15
Lounge Chair - Armless With Tablet	17
Lounge Chair - With Arm, With Tablet	21
Loveseat - Armless	25
Loveseat - With Arm	27
Sofa - Armless	29
Sofa - With Arm	31
Ottoman	33
Bench	34
Replacement Parts - Lounge Chair	36
Replacement Parts - Loveseat	40
Replacement Parts - Sofa	48
Replacement Parts - Bench	48
Replacement Parts - Ottoman	50
Replacement Parts - Feet/Casters	51
Replacement Parts - Rollers/Swivel Base/Tablet Arm	52
Sonrisa™ Occasional Tables	
Technical Specifications	53
Occasional Tables	54
Replacement Parts - Table Tops	55
Replacement Parts - Table Bases	56



Yardage	Grade	List Price Per Yard
1	C	\$ 49
1	D	\$ 64
1	E	\$ 78
1	F	\$ 100
1	G	\$ 122
1	H	\$ 144
1	I	\$ 178
1	J	\$ 222
1	K	\$ 289
1	L	\$ 333
1	M	\$ 422

To calculate the fabric option price, multiply the model's total yardage by the fabric grade's list price per yard. Add this fabric option price to the base model price to determine the total price. Fabric yardage can be found on the model pricing page.



Specifications Form January 2023

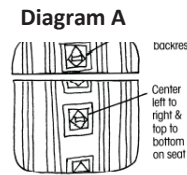
How to Specify

As a standard procedure, KI applies seating upholstery as swatched by the textile distributor. Reference distributor's website. Upholstery that is required to be applied differently than is swatched, will need a Product Modification Request written specifying the direction the upholstery is to be applied. RAILROADED FABRIC REQUIRES A PRODUCT MODIFICATION REQUEST DUE TO ADDITIONAL YARDAGE REQUIREMENTS

Seating upholstery requiring specific positioning of intricate patterns or patterns repeats on seats and backrests, will need a Product Modification Request written including a sketch noting the specific requirements, as in Diagram A.

C.O.M. must be supplied in continuous yardage.

Yardage requirements listed in price list are based on plain goods 54" wide. Fabrics less than 54" wide, or those requiring matching (stripes, plaids, prints, large patterns) will require additional yardage based on the fabric used and the item ordered. Consult matrix below for additional yardage needed.



C.O.M. INCREASE MATRIX (yardage matrix is also applicable to any reservations of KI Ingrade, Pallas, or K.O.M. upholsteries).

This table is a general guide.

FABRIC WIDTH	PLAIN FABRIC	UNDER 7" REPEAT	8"-13" REPEAT	14"-21" REPEAT	22"-27" REPEAT	28"-33" REPEAT	34"-40" REPEAT	41"-48" REPEAT
54"	0	20%	25%	30%	45%	55%	70%	80%
51"-53"	15%	25%	30%	35%	50%	60%	80%	90%
48"-50"	20%	30%	35%	40%	55%	65%	85%	95%
45"-47"	30%	45%	50%	55%	60%	80%	90%	100%
36"-44"	50%	65%	70%	75%	80%	100%	110%	120%

Fabric with double repeat: If using a fabric with a double repeat, please follow this formula: take the total amount of the larger and half of the smaller repeat; add together to find the correct overall repeat. Example: 10" vertical with 14" horizontal would be $14 + \frac{10}{2} = 19$.

If fabric comes in on multiple rolls, one additional yard per roll needs to be added to the yardage requirement.

Leather hides must be a minimum of 50 square feet of usable material. The outer edges cannot be calculated as square feet or yardage. To determine square footage, multiply unit yardage by 18 square feet to obtain the total square footage required per unit.

For exact production yardage requirements, call 1-800-424-2432, ext. 2707.

Production

Customer's upholstery must be approved prior to acceptance for production.

After approval, a memo swatch of the C.O.M. from the textile distributor must accompany the order. KI assumes no responsibility for wear, defects, or performance of C.O.M. or K.O.M. upholstery.

C.O.M. not received into the appropriate facility 3 weeks prior to acknowledged delivery date may go on hold. See KI C.O.M.

Shipping Location listing for the correct facility address by product.

All C.O.M. must be labeled as follows:

1. Name and address
2. Your purchase order number
3. Our style number to which fabric is to be applied
4. Supplier name and fabric name, number, and color

ALL C.O.M. Shipments must be prepaid. Collect shipments will be refused.

Testing

When KI requires testing, actual yardage to upholster one chair may be required. The C.O.M. Specialist will confirm model and fabric testing requirements when applicable.

Approved test samples will be applied to the order or will be held for 6 months. After 6 months, the sample will no longer be applied to your order. For all product testing, send fabric samples to the manufacturing facility. See KI C.O.M. Shipping Location listing for the correct facility address by product.

ALL C.O.M. Shipments must be prepaid. Collect shipments will be refused.

Treated Materials

If C.O.M. requires processing such as a stain resistance treatment or acrylic backing, it may shrink. To prevent delays in delivery or back ordering due to shrinkage, please have your processor verify measurement after processing and assure adequate yardage shipped.

Split Orders

If a portion of the shipment which does not require C.O.M. application is to be processed and shipped early, KI will enter the order immediately at your request. These split shipments are subject to minimum order changes.

Excess Upholstery Material

KI will dispose of excess upholstery material at the time of shipment unless expressly requested to return it with the product shipment.

Cancelled or Changed Orders

KI assumes no responsibility for extra C.O.M. due to a change of upholstery or cancellation of an order. If it the customer's responsibility to arrange for return of the material.

Contact the C.O.M. Specialist at 1-800-424-2432, ext. 2707, with questions or to request a split order



C.O.M. SHIPPING LOCATION



Architectural Walls	Panel Systems	Impress UltraOM
Evoke..... MN	All Terrain..... KP	Intellect Wave GB
Genius..... MN	Balance MN	Jessa HN
	Universal MN	Jubilee VQ
Casegoods	Wireworks..... MN	Katera..... GB
Aristotle..... MN	Unite..... MN	Kurv Benches..... HN
Likha..... MN		Learn2..... GB
	Residence Hall Furniture	LimeLite..... GB
Classroom Furniture	RoomScape..... MN	Lyra HN
Cogni GB		Medical & Laboratory Stools..... OM
Intellect Wave GB	Screens	MyPlace HN
Learn2..... GB	All Terrain..... KP	MyWay HN
Ruckus..... GB	Connection Zone..... BW	Oath GB
	Tributaire..... BW	Opt4 GB
Desking	True/Volition KP	Pilot OM
700 Series KP	Genesis..... KP	Promenade..... BW
Balance MN	Tattoo..... MN	Ruckus..... GB
Genesis MN	Universal..... BW	Sela HN
True KP		Sift GB
Universal MN	Seating	Signia..... OM
WorkZone MN	600 Series..... BW	Soltice Metal HN
	Affina HN	Soltice..... HN
Files & Storage	Altus GB	Sonrisa HN
700 Series..... GB	Apply GB	Strive GB
Connection BW	Calida HN	Sway BW
U-Series GB	Cascha VT	Tattoo..... HN
Tattoo..... BW	Civara VT	Torsion-on-the-Gol GB
	Clamber HN	Torsion Air GB
Fixed Seating	Cogni GB	Zeker HN
Concerto..... BW	Diem OM	Zentori VT
Single Pedestal GB	Doni GB	Zoetry..... HN
Jury Base GB	Gladly VQ	
Lancaster..... BW	Grazie GB	
Sequence GB	Hub HN	
University GB	Impress OM	

KI C.O.M. Manufacturing Site Addresses:

BW

KI Bonduel
Attn: COM Storage
204 West South St.
Bonduel, WI 54107

HN

KI High Point
Attn: COM Storage
217 Feld Avenue
High Point, NC 27263

MN

KI Manitowoc
Attn: COM Storage
1400 S. 41st St.
Manitowoc, WI 54220

VQ

KI
Attn: COM Fabrics
6892 Marlin Circle
La Palma, CA 90623

GB

KI Green Bay
Attn: COM Storage
1687 Westminster Drive - Gate 3
Green Bay, WI 54302

KP

KI Pembroke
Attn: COM Storage
1000 Olympic Dr.
Pembroke, Ontario K8A6X7

OM

KI
Attn: COM Storage
1110 S. Mildred Ave.
Ontario, CA 91761

VT

KI
Attn: COM Storage
2803 South Taylor Drive
Sheboygan, WI 53081



TECHNICAL SPECIFICATIONS

Sonrisa Lounge Seating

Interior Frame Construction

The interior frame is constructed of $\frac{3}{4}$ " thick hardwood plywood. The back is made from $\frac{1}{2}$ " thick molded or laminated hardwood veneers. All components are CNC-machined (computer numerical control) to maintain accuracy of part dimensions and to ensure that all connection joints are engineered to interlink with other hardwood plywood components. All joints are glued with polyvinyl acetate adhesive and further secured with staples and wood screws.

Seat Construction

The seat utilizes upholstery straps that are affixed to the machined frames. The seat cushion is $3\frac{3}{4}$ " thick and comprised of high-resilience polyurethane foam.

Backrest & Arm Construction

The inside backrest of the lounge unit utilizes a high-resilience polyurethane foam that provides the contour of the inside backrest as well as supporting product comfort. The outside portion of the unit utilizes polyurethane foam to maintain a smooth consistent shape around the perimeter. Arms are an extension of the back construction.

Swivel Tablet Arm

The tablet arm writing surface is rectangle shaped, measures 12" x 15" and has rounded corners. Tablet is constructed from $\frac{3}{4}$ " thick medium-density particleboard core with a .030" laminate top surface, a plain backer surface, and 73P edge. A solid steel, round-shaped swivel plate with $\frac{5}{8}$ " diameter pivot post is secured to the underside of the tablet using six wood screws. The tablet arm pivot post is centered front-to-back but is $3\frac{1}{2}$ " off-center to the outside of the tablet. The pivot post inserts into the tablet arm mounting post, which contains bushings and a set screw to hold the tablet arm assembly in place while allowing for smooth 360-degree rotation. Tablet arm mounting post is constructed of $1\frac{3}{4}$ " diameter solid aluminum, milled at the top to accept the steel pivot post. Mounting post uses spacers with studs to the lounge chair side and a steel base plate with screws at the bottom to secure the assembly. The tablet arm top surface is available in all standard KI laminate finishes. The swivel plate is always painted black and the tablet arm mounting post assembly may be specified in any standard KI paint color. Tablet arm lounge chairs can be ordered right- or left-facing, and are available on arm and armless lounge chairs.

Upholstery

Upholstery is available in non-contrasting, or contrasting upholstery options on all models. A variety of KI ingrades, Pallas and customer ordered materials/KI ordered materials (COM/KOM) have been approved for use on the Sonrisa product line. All seams are reinforced with double-needle stitching. Stitching may be coordinated with the upholstery or color contrasted; 16 thread colors available.

Base Options

Four base options are available: Black poly feet with adjustable glides, black casters, black poly feet with adjustable glides with tilt-back activated rollers (only available on loveseats and lounge chairs), and swivel base (only available on lounge chairs).

Casters

Casters are 2" high and use $1\frac{1}{2}$ " diameter dual soft swivel wheels with a 150 lb weight rating per caster. Casters are Black in color, with four casters per lounge chair, six per loveseat, seven per sofa, six per bench, and eight per ottoman. Casters are secured to the underside of the lounge frame using four #10 x 1" Phillips pan head screws.

Base Options (cont.)

Poly Feet

Poly feet are 2" high and contain an adjustable glide. Poly feet contain a $\frac{5}{16}$ -18 x $1\frac{1}{2}$ " set screw, which twists into a threaded insert in the lounge frame to secure. Poly feet are Black in color with four feet per lounge chair and ottoman, six per loveseat and bench, or seven per sofa. The adjustable-height glide bottom pad is of natural color poly, is impact resistant and threads into the nylon foot with a $\frac{1}{4}$ -20 threaded stem having $\frac{7}{8}$ " of leveling adjustability.

Rollers

Roller housing is of molded polypropylene, with a semi-tubular rivet axle for the 1.57" diameter fixed wheel. Wheel is rubber with sealed ball bearings. Roller housing mounts to the underside of a chair or loveseat backrest frame using one #12 x 1" Phillips pan head screw into the underside and two #14 x $1\frac{1}{4}$ " Phillips pan head screws into the backrest of the lounge or loveseat. Rollers are black in color, are tilt-back activated and add $1\frac{3}{4}$ " overall depth to bottom rear of chair or loveseat.

Swivel Base

The swivel base is all steel, consisting of 14-gauge round tubing, 14-gauge rectangular tubing, and two 11-gauge stamped steel plates. Steel roller bearings are used for smooth rotation. The ring base is a welded assembly while the swivel plate is bolted together. Swivel base is 2" high, is 22" in diameter and is Black in color. Allows for 360 degrees of swivel, no return.

Sonrisa Seating - Base Options				
	Casters	Feet with Adjustable Glides	Rollers	Swivel Base
Lounge Chairs	4 casters	4 feet	2 rollers	1 swivel base
Loveseats	6 casters	6 feet	2 rollers	N/A
Sofas	7 casters	7 feet	N/A	N/A
Ottomans	8 casters	4 feet	N/A	N/A
Benches	6 casters	6 feet	N/A	N/A

Compliance

This product has been tested according to the Business & institutional Furniture Manufacturers Association (BIFMA) voluntary standards known as ANSI/BIFMA X5.4-2020 for Public and Lounge Seating, meeting, or exceeding all applicable testing requirements of the standard.

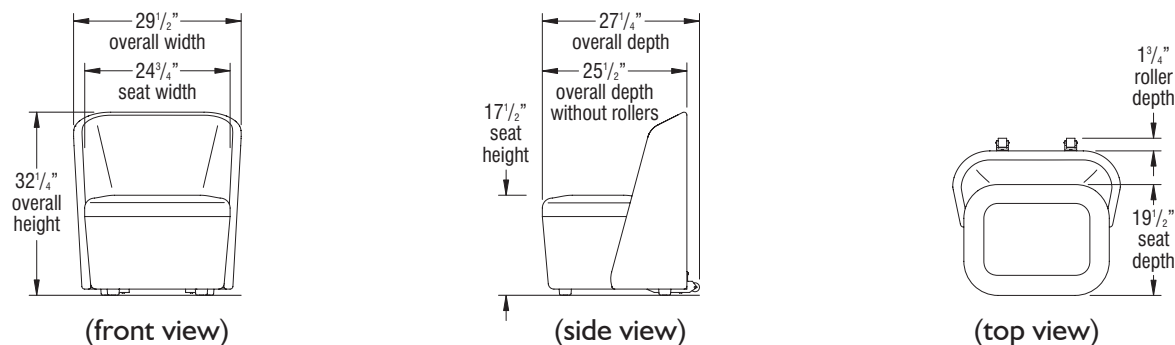
This product meets third party certification for Indoor Air Quality as certified by SCS Global Services. This product meets all qualifications for Indoor Advantage Gold, the highest standard which conforms to the ANSI/BIFMA Furniture Emissions Standard (M7.1/X7.1-2011 R2016) and ANSI/BIFMA e3-2019 (Credits 7.6.1, 7.6.2) for seating parameters.



DIMENSIONS

Sonrisa Lounge Chair - Armless

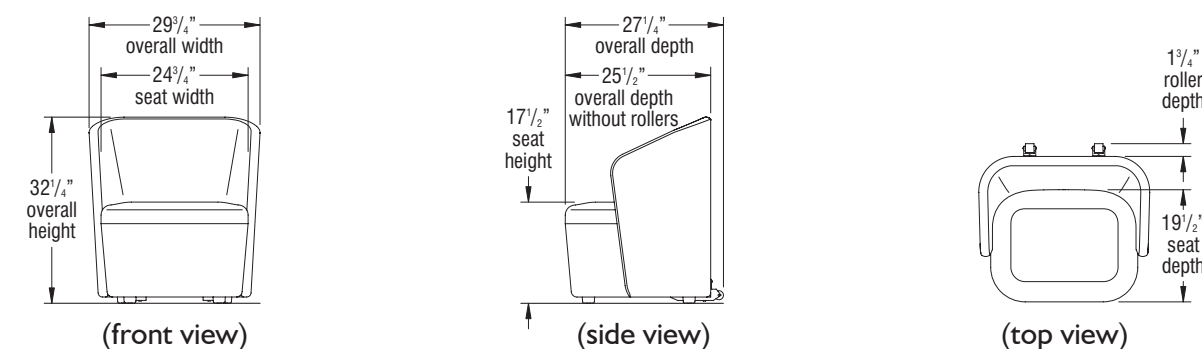
Sonrisa Lounge Chair Dimensions								
Model Number	A Overall Depth	B Overall Depth without Rollers	C Overall Width	D Overall Height	E Seat Depth	F Seat Width	G Seat Height	H Roller Depth
SN11NC SN11CA SN11CB SN11CC	27 1/4"	25 1/2"	29 1/2"	32 1/4"	19 1/2"	24 3/4"	17 1/2"	1 3/4"



DIMENSIONS

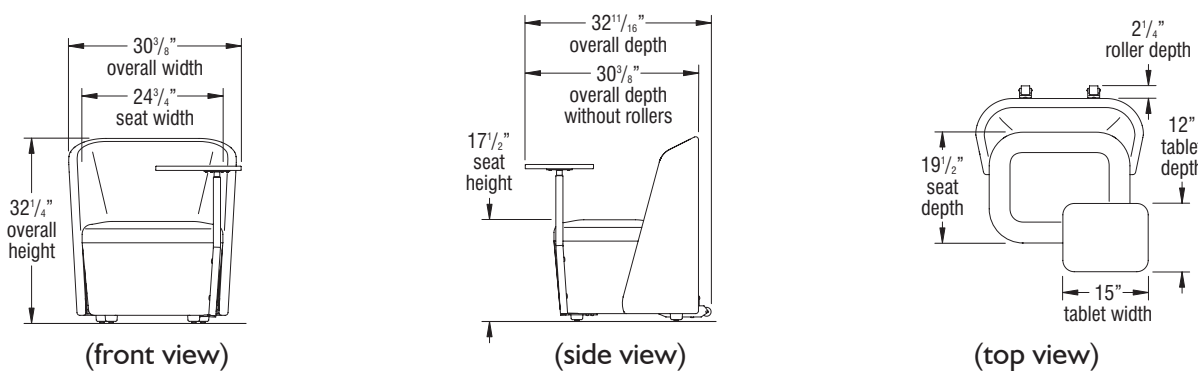
Sonrisa Lounge Chair - with Arms

Sonrisa Lounge Chair Dimensions								
Model Number	A Overall Depth	B Overall Depth without Rollers	C Overall Width	D Overall Height	E Seat Depth	F Seat Width	G Seat Height	H Roller Depth
SN12NC SN12CA SN12CB SN12CC	27 1/4"	25 1/2"	29 1/2"	32 1/4"	19 1/2"	24 3/4"	17 1/2"	1 3/4"



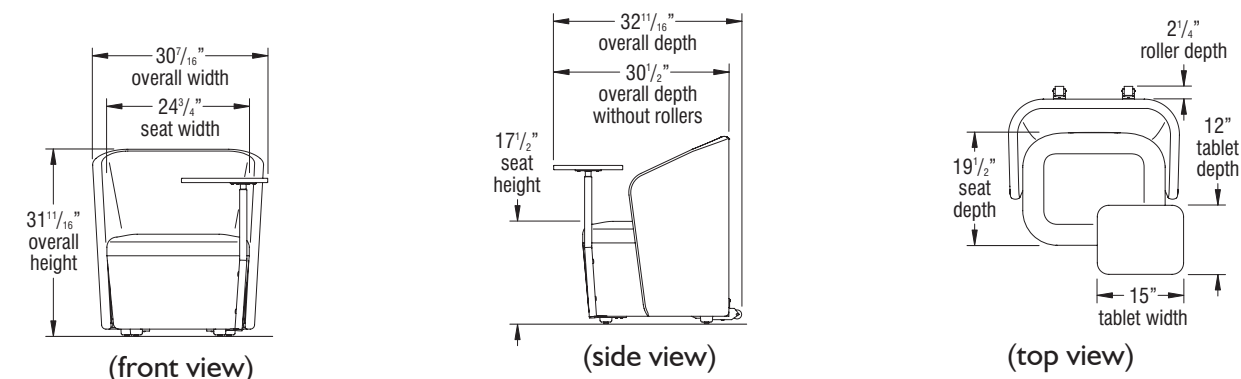
Sonrisa Lounge Chair - Armless - Swivel Tablet Arm

Sonrisa Lounge Chair Dimensions										
Model Number	A Overall Depth	B Overall Depth without Rollers	C Overall Width	D Overall Height	E Seat Depth	F Seat Width	G Seat Height	H Roller Depth	I Tablet Depth	J Tablet Width
SN11NCTL SN11CATL SN11CBTL SN11CCTL SN11NCTR SN11CATR SN11CBTR SN11CCTR	32 11/16"	30 3/8"	30 3/8"	32 1/4"	19 1/2"	24 3/4"	17 1/2"	2 1/4"	12"	15"



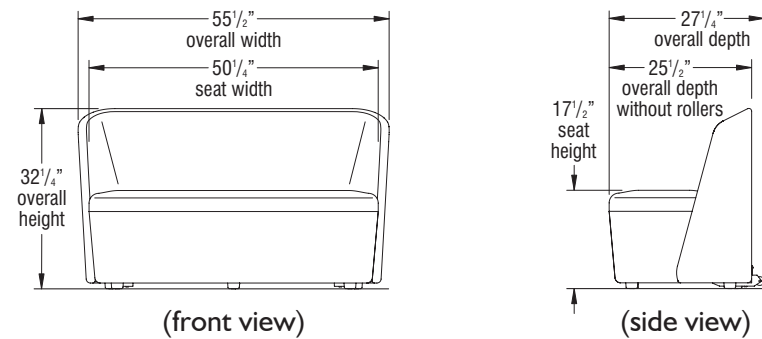
Sonrisa Lounge Chair - with Arms - Swivel Tablet Arm

Sonrisa Lounge Chair Dimensions										
Model Number	A Overall Depth	B Overall Depth without Rollers	C Overall Width	D Overall Height	E Seat Depth	F Seat Width	G Seat Height	H Roller Depth	I Tablet Depth	J Tablet Width
SN12NCTL SN12CATL SN12CBTL SN12CCTL SN12NCTR SN12CATR SN12CBTR SN12CCTR	32 11/16"	30 1/2"	30 7/16"	31 11/16"	19 1/2"	24 3/4"	17 1/2"	2 1/4"	12"	15"

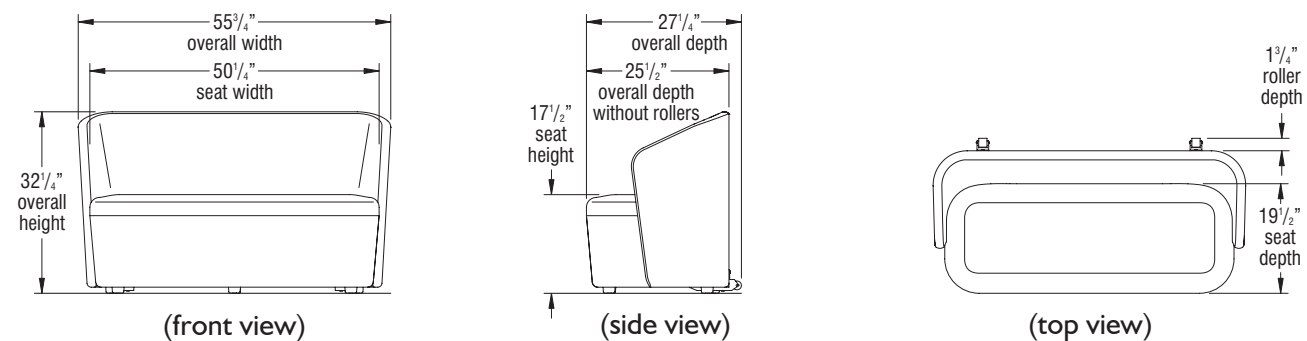


DIMENSIONS

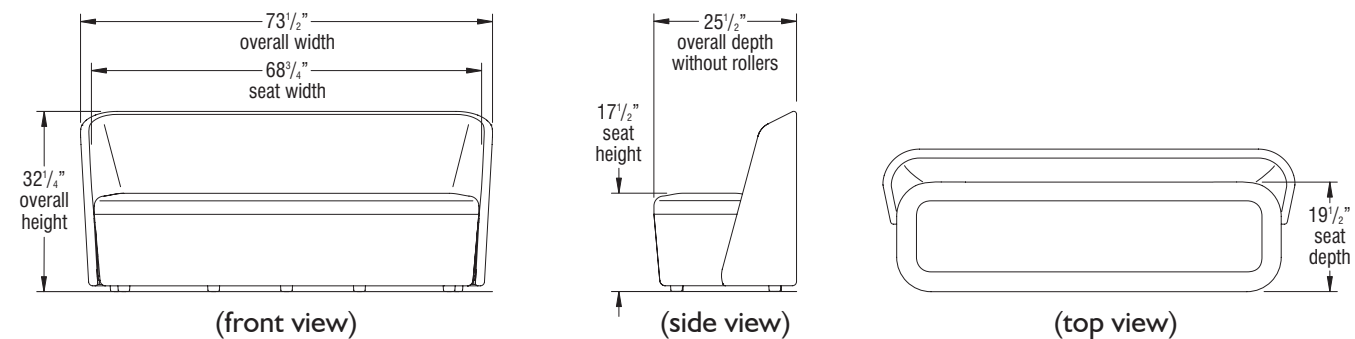
Sonrisa Loveseat - Armless



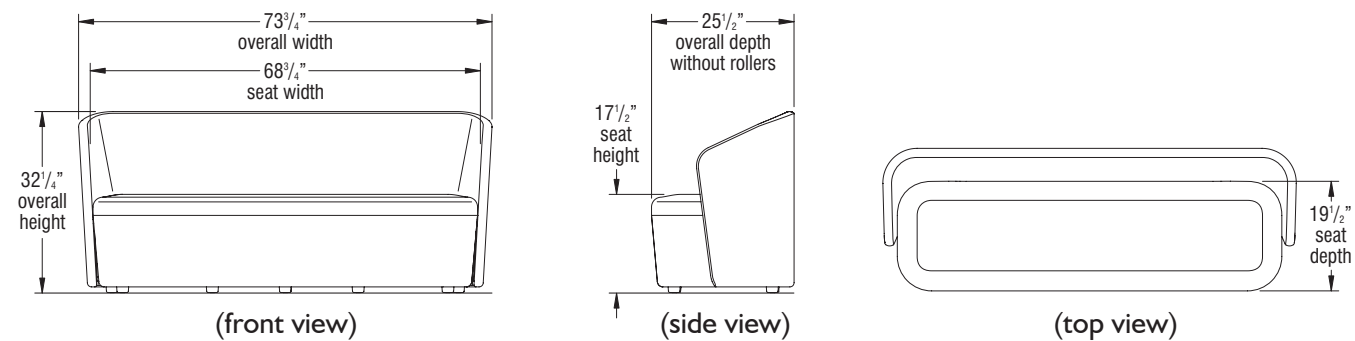
Sonrisa Loveseat - with Arms



Sonrisa Sofa - Armless

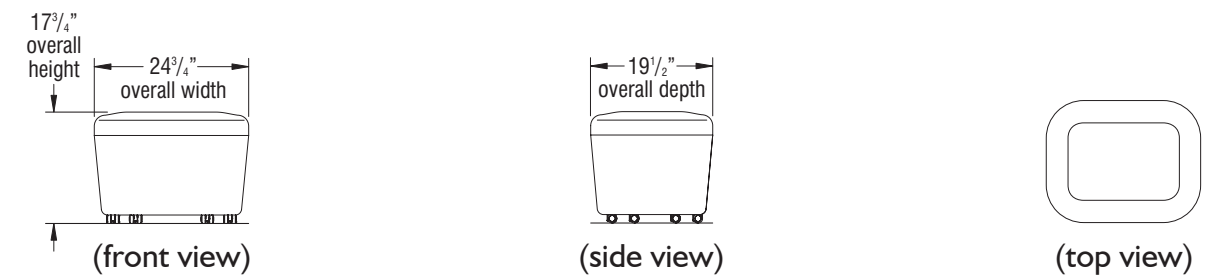


Sonrisa Sofa - with Arms

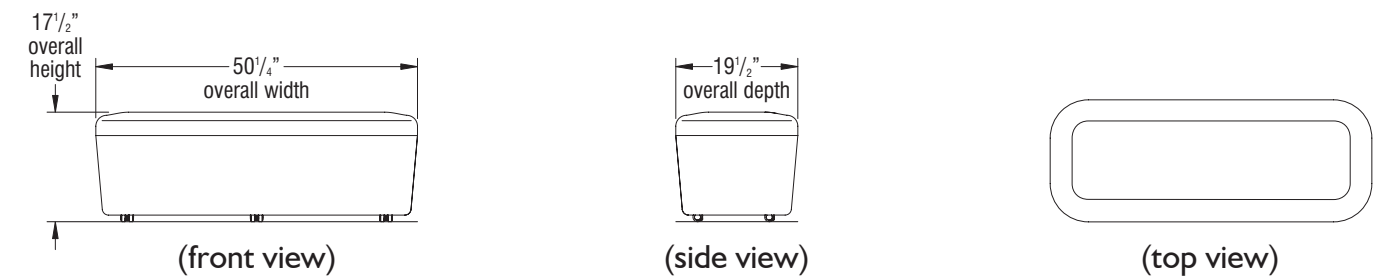


DIMENSIONS

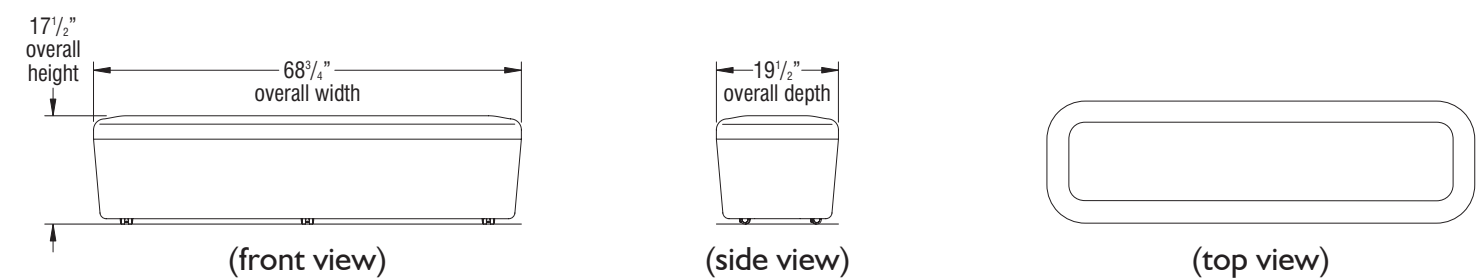
Sonrisa Ottoman



Sonrisa Bench - 2-Seat



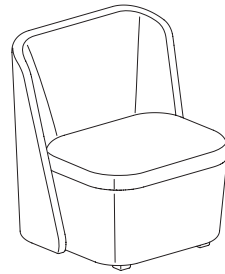
Sonrisa Bench - 3-Seat



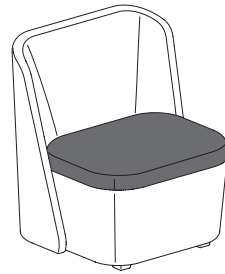


STATEMENT OF LINE

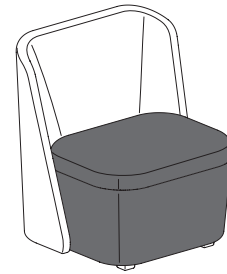
Sonrisa Lounge Seating - Lounge Chair - Armless



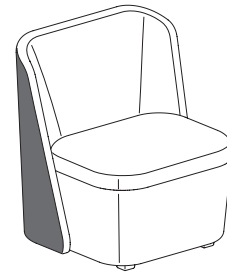
Non-Contrast
 SN11



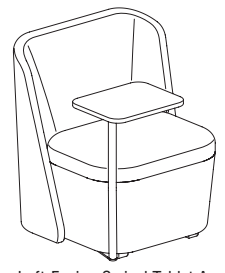
Contrast Seat
 SN11CA



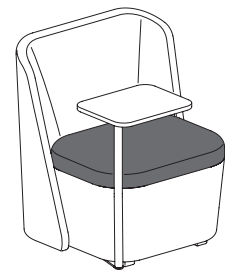
Contrast Seat & Base
 SN11CB



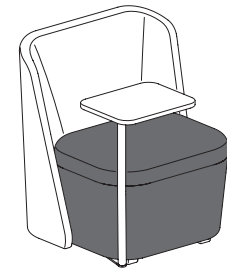
Contrast Outside Backrest
 SN11CC



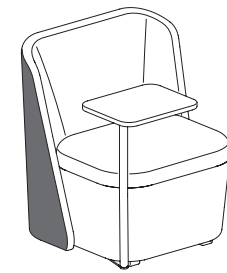
Left-Facing Swivel Tablet Arm
 Non-Contrast
 SN11NCTL



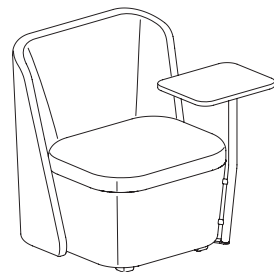
Left-Facing Swivel Tablet Arm
 Contrast Seat
 SN11CATL



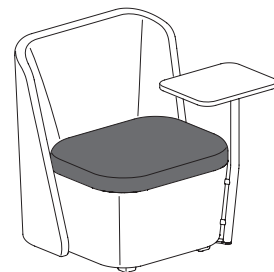
Left-Facing Swivel Tablet Arm
 Contrast Seat & Base
 SN11CBTL



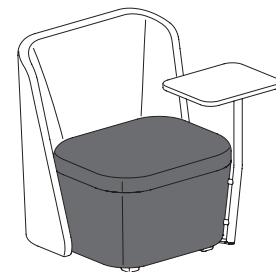
Left-Facing Swivel Tablet Arm
 Contrast Outside Backrest
 SN11CCTL



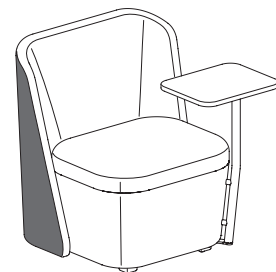
Right-Facing Swivel Tablet Arm
 Non-Contrast
 SN11NCTR



Right-Facing Swivel Tablet Arm
 Contrast Seat
 SN11CATR

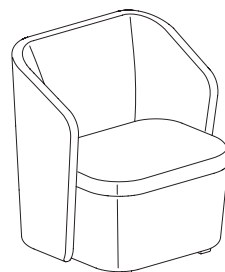


Right-Facing Swivel Tablet Arm
 Contrast Seat & Base
 SN11CBTR

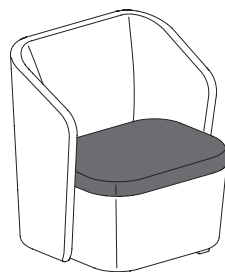


Right-Facing Swivel Tablet Arm
 Contrast Outside Backrest
 SN11CCTR

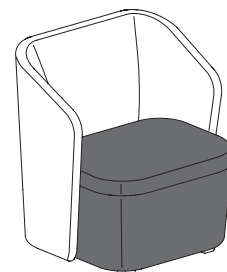
Sonrisa Lounge Seating - Lounge Chair - With Arms



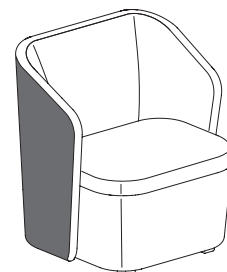
Non-Contrast
 SN12



Contrast Seat
 SN12CA



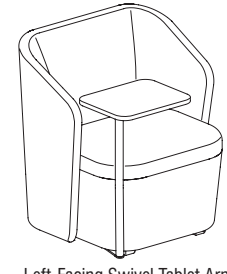
Contrast Seat & Base
 SN12CB



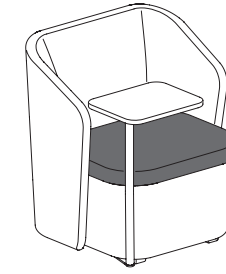
Contrast Outside Backrest
 SN12CC

STATEMENT OF LINE

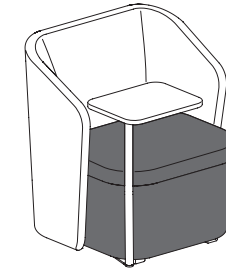
Sonrisa Lounge Seating - Lounge Chair - with Arms (cont.)



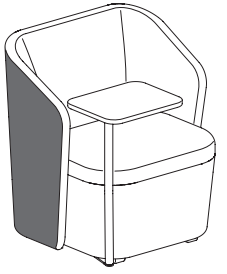
Left-Facing Swivel Tablet Arm
 Non-Contrast
 SN12NCTL



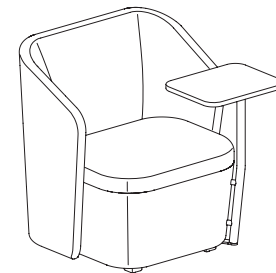
Left-Facing Swivel Tablet Arm
 Contrast Seat
 SN12CATL



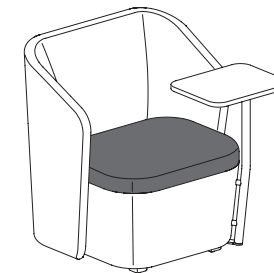
Left-Facing Swivel Tablet Arm
 Contrast Seat & Base
 SN12CBTL



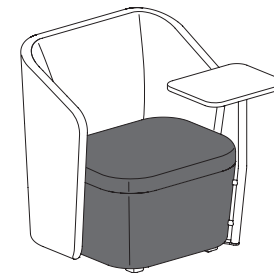
Left-Facing Swivel Tablet Arm
 Contrast Outside Backrest
 SN12CCTL



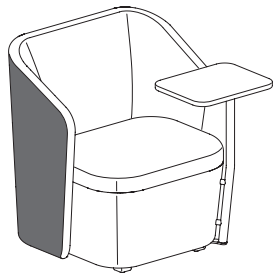
Right-Facing Swivel Tablet Arm
 Non-Contrast
 SN12NCTR



Right-Facing Swivel Tablet Arm
 Contrast Seat
 SN12CATR

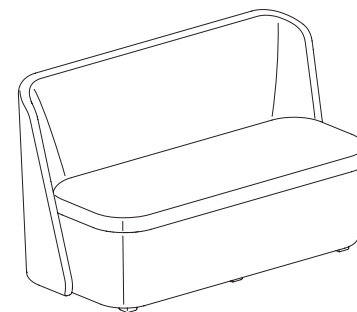


Right-Facing Swivel Tablet Arm
 Contrast Seat & Base
 SN12CBTR

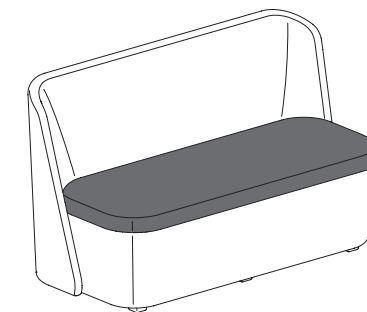


Right-Facing Swivel Tablet Arm
 Contrast Outside Backrest
 SN12CCTR

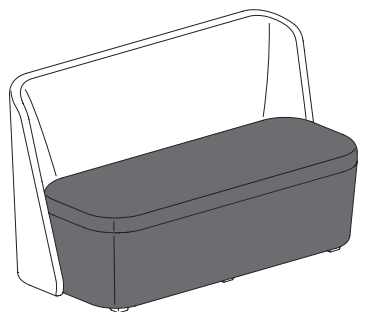
Sonrisa Lounge Seating - Love Seat - Armless



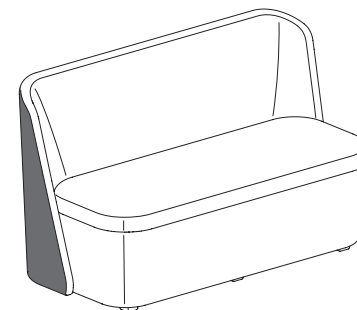
Non-Contrast
 SN21



Contrast Seat
 SN21CA



Contrast Seat & Base
 SN21CB

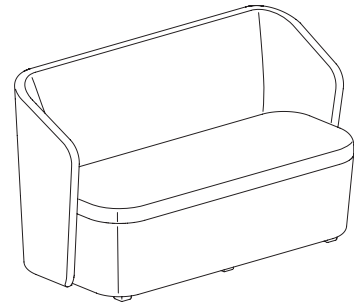


Contrast Outside Backrest
 SN21CC

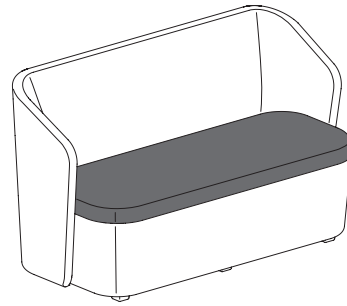


STATEMENT OF LINE

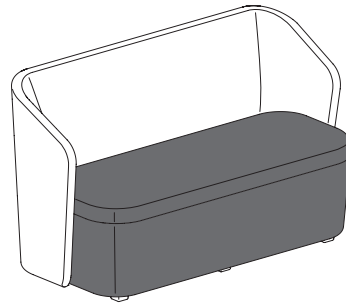
Sonrisa Lounge Seating - Love Seat - with Arms



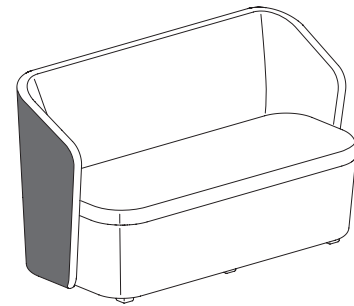
Non-Contrast
SN22



Contrast Seat
SN22CA

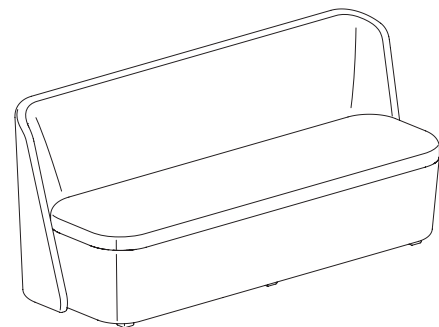


Contrast Seat & Base
SN22CB

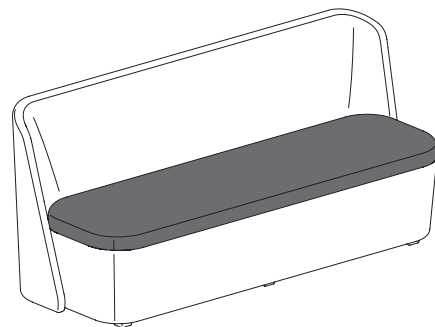


Contrast Outside Backrest
SN22CC

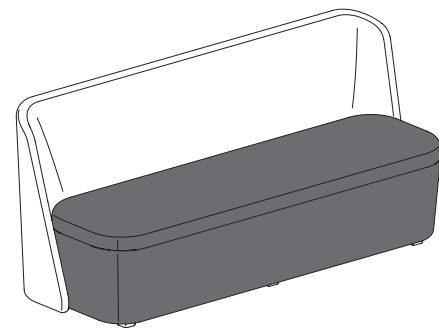
Sonrisa Lounge Seating - Sofa - Armless



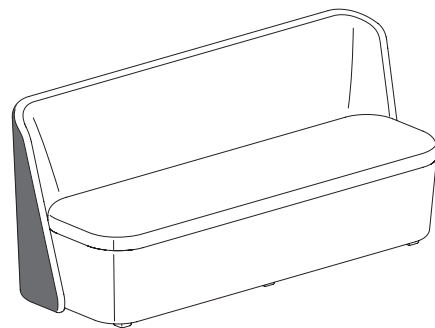
Non-Contrast
SN31



Contrast Seat
SN31CA



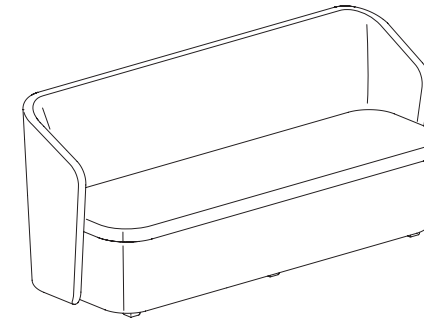
Contrast Seat & Base
SN31CB



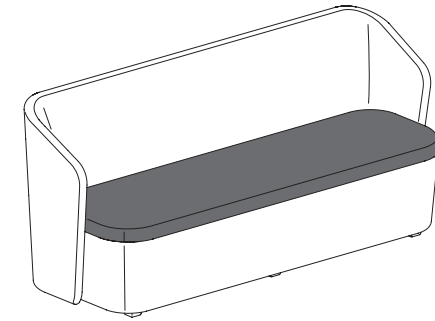
Contrast Outside Backrest
SN31CC

STATEMENT OF LINE

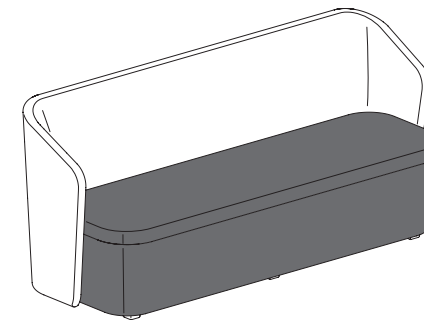
Sonrisa Lounge Seating - Sofa - with Arms (cont.)



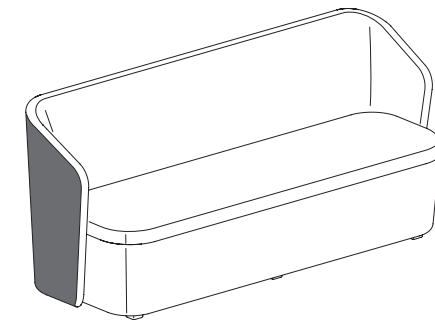
Non-Contrast
SN32



Contrast Seat
SN32CA

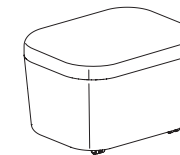


Contrast Seat & Base
SN32CB

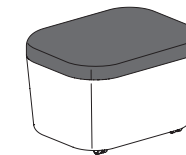


Contrast Outside Backrest
SN32CC

Sonrisa Lounge Seating - Ottoman



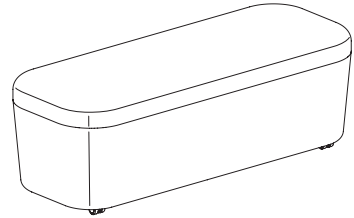
Non-Contrast
SN10



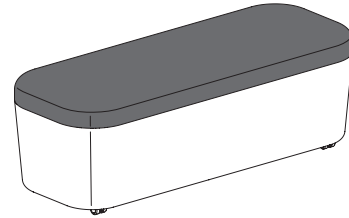
Contrast Seat
SN10



Sonrisa Lounge Seating - Bench - 2 Seat

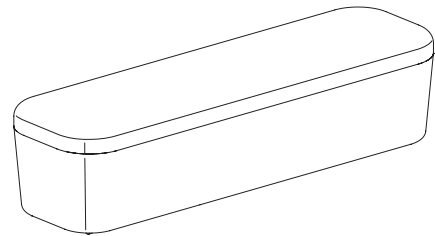


Non-Contrast
SN20

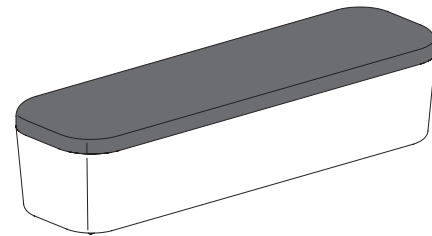


Contrast Seat
SN20

Sonrisa Lounge Seating - Bench - 3 Seat

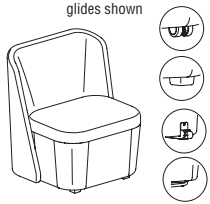


Non-Contrast
SN30



Contrast Seat
SN30



MODEL	Features	MODEL NUMBER				Approx. Packaged Weight	Delivered Pricing
		Basic Model	Base Option	Non-Contrast or Fabric Contrast 1	Thread Color		
 <p>SN11</p> <p>Lounge Chair, Armless, Non-contrast</p> <ul style="list-style-type: none"> Fully upholstered 4 feet w/glides (glides adjust 7/8"), 4 casters, 4 feet w/glides and 2 rollers (glides adjust 7/8") or swivel base Double needle stitch detail Push thru for cleanability Non-contrast C.O.M = 3.75 yds Overall Dimensions: W=29.5" D=25.5" H=32.25" Rollers add 1.75" to overall depth 	Non-contrast	SN11NC	<input type="checkbox"/> <input type="checkbox"/>	<input type="checkbox"/> <input type="checkbox"/> <input type="checkbox"/> <input type="checkbox"/>	<input type="checkbox"/> <input type="checkbox"/>	70.00#	\$ 2056
			A	B	C		

HOW TO ORDER

- Indicate the following information on order form:
- Quantity of each item.
 - Model number, including options. See "How To Build a Model Number".
 - Any special service required.

Note:

- The indicates that a choice is required.
- The absence of the indicates that no choice is required.
- Alpha-numeric characters in place of indicate that no other alternatives are available.

HOW TO BUILD A MODEL NUMBER

- A** Select basic model.
- B** Select base.

CST	- Casters
PFT	- Poly feet
PFR	- Poly feet with rollers; add \$93
SWN	- Swivel Base; add \$267
- C** Select non-contrast or fabric contrast 1. Refer to ki.com/fabrics.
 - For yardage pricing, see Fabric Yardage Pricing page
- D** Select thread color. Refer to the **Product Color Options** page in this price list.

NOTE

Ganging is not available on Sonrisa product

SPECIAL SERVICES

Special Carton Marking



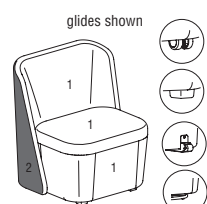
With specially marked information N/C

Shipping

Ships assembled, FOB High Point, NC 27263, freight prepaid.

Specifications and prices are subject to change without prior notice.



MODEL	Features	MODEL NUMBER					Approx. Packaged Weight	Delivered Pricing
		Basic Model	Base Option	Non-Contrast or Fabric Contrast 1	Fabric Contrast 2	Thread Color		
 <p>SN11</p> <p>Lounge Chair, Armless, Contrast Seat</p> <ul style="list-style-type: none"> Fully upholstered 4 feet w/glides (glides adjust 7/8"), 4 casters, 4 feet w/glides and 2 rollers (glides adjust 7/8") or swivel base Double needle stitch detail Push thru for cleanability 1 = Base & Back (Fabric Contrast 1) C.O.M = 3.75 yds 2 = Seat (Fabric Contrast 2) C.O.M = 1 yd Overall Dimensions: W=29.5" D=25.5" H=32.25" Rollers add 1.75" to overall depth 	Contrast Seat	SN11CA	<input type="checkbox"/> <input type="checkbox"/> <input type="checkbox"/>	<input type="checkbox"/> <input type="checkbox"/> <input type="checkbox"/> <input type="checkbox"/>	<input type="checkbox"/> <input type="checkbox"/> <input type="checkbox"/> <input type="checkbox"/>	<input type="checkbox"/> <input type="checkbox"/> <input type="checkbox"/>	70.00#	\$ 2138
 <p>SN11</p> <p>Lounge Chair, Armless, Contrast Seat and Base</p> <ul style="list-style-type: none"> Fully upholstered 4 feet w/glides (glides adjust 7/8"), 4 casters, 4 feet w/glides and 2 rollers (glides adjust 7/8") or swivel base Double needle stitch detail Push thru for cleanability 1 = Back (Fabric Contrast 1) C.O.M = 2.5 yds 2 = Seat & Base (Fabric Contrast 2) C.O.M = 1.75 yds Overall Dimensions: W=29.5" D=25.5" H=32.25" Rollers add 1.75" to overall depth 	Contrast Seat and Base	SN11CB	<input type="checkbox"/> <input type="checkbox"/> <input type="checkbox"/>	<input type="checkbox"/> <input type="checkbox"/> <input type="checkbox"/> <input type="checkbox"/>	<input type="checkbox"/> <input type="checkbox"/> <input type="checkbox"/> <input type="checkbox"/>	<input type="checkbox"/> <input type="checkbox"/> <input type="checkbox"/>	70.00#	\$ 2138
 <p>SN11</p> <p>Lounge Chair, Armless, Contrast Outside Back</p> <ul style="list-style-type: none"> Fully upholstered 4 feet w/glides (glides adjust 7/8"), 4 casters, 4 feet w/glides and 2 rollers (glides adjust 7/8") or swivel base Double needle stitch detail Push thru for cleanability 1 = Seat, Base, Inside Back (Fabric Contrast 1) C.O.M = 3.25 yds 2 = Outside Back (Fabric Contrast 2) C.O.M = 1.5 yds Overall Dimensions: W=29.5" D=25.5" H=32.25" Rollers add 1.75" to overall depth 	Contrast Outside Back	SN11CC	<input type="checkbox"/> <input type="checkbox"/> <input type="checkbox"/>	<input type="checkbox"/> <input type="checkbox"/> <input type="checkbox"/> <input type="checkbox"/>	<input type="checkbox"/> <input type="checkbox"/> <input type="checkbox"/> <input type="checkbox"/>	<input type="checkbox"/> <input type="checkbox"/> <input type="checkbox"/>	70.00#	\$ 2138

HOW TO ORDER

- Indicate the following information on order form:
- Quantity of each item.
 - Model number, including options. See "How To Build a Model Number".
 - Any special service required.

Note: • The indicates that a choice is required.

- The absence of the indicates that no choice is required.
- Alpha-numeric characters in place of indicate that no other alternatives are available.

HOW TO BUILD A MODEL NUMBER

- A** Select basic model.
- B** Select base.
- | | |
|------------|------------------------------------|
| CST | - Casters |
| PFT | - Poly feet |
| PFR | - Poly feet with rollers; add \$93 |
| SWN | - Swivel Base; add \$267 |
- C** Select non-contrast or fabric contrast 1. Refer to ki.com/fabrics.
- For yardage pricing, see Fabric Yardage Pricing page
- D** Select fabric contrast 2. Refer to ki.com/fabrics.
- For yardage pricing, see Fabric Yardage Pricing page
- E** Select thread color. Refer to the **Product Color Options** page in this price list.

NOTE

Ganging is not available on Sonrisa product

SPECIAL SERVICES

Special Carton Marking

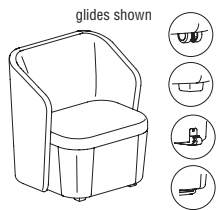
With specially marked information N/C

Shipping

Ships assembled, FOB High Point, NC 27263, freight prepaid.

Specifications and prices are subject to change without prior notice.



MODEL	Features	MODEL NUMBER				Approx. Packaged Weight	Delivered Pricing
		Basic Model	Base Option	Non-Contrast or Fabric Contrast 1	Thread Color		
 <p>SN12</p> <p>Lounge Chair, With Arm, Non-contrast</p> <ul style="list-style-type: none"> Fully upholstered 4 feet w/glides (glides adjust 7/8"), 4 casters, 4 feet w/glides and 2 rollers (glides adjust 7/8") or swivel base Double needle stitch detail Push thru for cleanability Non-contrast C.O.M = 4 yds Overall Dimensions: W=29.75" D=25.5" H=32.25" Rollers add 1.75" to overall depth 	Non-contrast	SN12NC	<input type="checkbox"/> <input type="checkbox"/>	<input type="checkbox"/> <input type="checkbox"/> <input type="checkbox"/> <input type="checkbox"/>	<input type="checkbox"/> <input type="checkbox"/>	72.00#	\$ 2220
			A	B	C		
					D		

HOW TO ORDER

- Indicate the following information on order form:
- Quantity of each item.
 - Model number, including options. See "How To Build a Model Number".
 - Any special service required.

Note:

- The indicates that a choice is required.
- The absence of the indicates that no choice is required.
- Alpha-numeric characters in place of indicate that no other alternatives are available.

HOW TO BUILD A MODEL NUMBER

- A** Select basic model.
- B** Select base.

CST	- Casters
PFT	- Poly feet
PFR	- Poly feet with rollers; add \$93
SWN	- Swivel Base; add \$267
- C** Select non-contrast or fabric contrast 1. Refer to ki.com/fabrics.
 - For yardage pricing, see Fabric Yardage Pricing page
- D** Select thread color. Refer to the **Product Color Options** page in this price list.

NOTE

Ganging is not available on Sonrisa product

SPECIAL SERVICES

Special Carton Marking

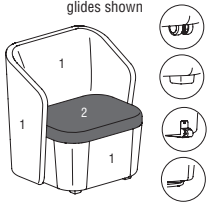
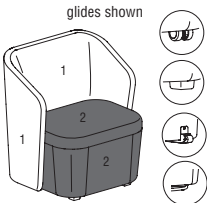
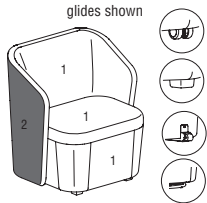
With specially marked information N/C

Shipping

Ships **assembled, FOB High Point, NC 27263, freight prepaid.**

Specifications and prices are subject to change without prior notice.



MODEL	Features	MODEL NUMBER					Approx. Packaged Weight	Delivered Pricing	
		Basic Model	Base Option	Non-Contrast or Fabric Contrast 1	Fabric Contrast 2	Thread Color			
 <p>SN12</p> <p>Lounge Chair, With Arm, Contrast Seat</p> <ul style="list-style-type: none"> Fully upholstered 4 feet w/glides (glides adjust 7/8"), 4 casters, 4 feet w/glides and 2 rollers (glides adjust 7/8") or swivel base Double needle stitch detail Push thru for cleanability 1 = Base & Back (Fabric Contrast 1) C.O.M = 4 yds 2 = Seat (Fabric Contrast 2) C.O.M = 1 yd Overall Dimensions: W=29.75" D=25.5" H=32.25" Rollers add 1.75" to overall depth 	Contrast Seat	SN12CA	<input type="checkbox"/>	<input type="checkbox"/>	<input type="checkbox"/>	<input type="checkbox"/>	72.00#	\$ 2302	
 <p>SN12</p> <p>Lounge Chair, With Arm, Contrast Seat and Base</p> <ul style="list-style-type: none"> Fully upholstered 4 feet w/glides (glides adjust 7/8"), 4 casters, 4 feet w/glides and 2 rollers (glides adjust 7/8") or swivel base Double needle stitch detail Push thru for cleanability 1 = Back (Fabric Contrast 1) C.O.M = 2.75 yds 2 = Seat & Base (Fabric Contrast 2) C.O.M = 1.75 yds Overall Dimensions: W=29.75" D=25.5" H=32.25" Rollers add 1.75" to overall depth 	Contrast Seat and Base	SN12CB	<input type="checkbox"/>	<input type="checkbox"/>	<input type="checkbox"/>	<input type="checkbox"/>	72.00#	\$ 2302	
 <p>SN12</p> <p>Lounge Chair, With Arm, Contrast Outside Back</p> <ul style="list-style-type: none"> Fully upholstered 4 feet w/glides (glides adjust 7/8"), 4 casters, 4 feet w/glides and 2 rollers (glides adjust 7/8") or swivel base Double needle stitch detail Push thru for cleanability 1 = Seat, Base, Inside Back (Fabric Contrast 1) C.O.M = 3.5 yds 2 = Outside Back (Fabric Contrast 2) C.O.M = 2 yds Overall Dimensions: W=29.75" D=25.5" H=32.25" Rollers add 1.75" to overall depth 	Contrast Outside Back	SN12CC	<input type="checkbox"/>	<input type="checkbox"/>	<input type="checkbox"/>	<input type="checkbox"/>	72.00#	\$ 2302	
			A	B	C	D	E		

HOW TO ORDER

- Indicate the following information on order form:
- Quantity of each item.
 - Model number, including options. See "How To Build a Model Number".
 - Any special service required.

Note: • The indicates that a choice is required.

- The absence of the indicates that no choice is required.
- Alpha-numeric characters in place of indicate that no other alternatives are available.

HOW TO BUILD A MODEL NUMBER

- A** Select basic model.
- B** Select base.

CST	- Casters
PFT	- Poly feet
PFR	- Poly feet with rollers; add \$93
SWN	- Swivel Base; add \$267
- C** Select non-contrast or fabric contrast 1. Refer to ki.com/fabrics.
 - For yardage pricing, see Fabric Yardage Pricing page
- D** Select fabric contrast 2. Refer to ki.com/fabrics.
 - For yardage pricing, see Fabric Yardage Pricing page
- E** Select thread color. Refer to the **Product Color Options** page in this price list.

NOTE

Ganging is not available on Sonrisa product

SPECIAL SERVICES

Special Carton Marking

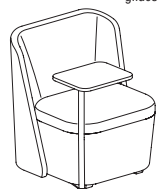
With specially marked information N/C

Shipping

Ships assembled, FOB High Point, NC 27263, freight prepaid.

Specifications and prices are subject to change without prior notice.



MODEL	Features	MODEL NUMBER							Approx. Packaged Weight	Delivered Pricing	Laminate Grade 2 add to list price	Laminate Grade 3 add to list price	
		Basic Model	Base Option	Non-Contrast or Fabric Contrast 1	Thread Color	Surface Finish	Edge Color (73P)	Tablet Support Post Color					
 <p>glides shown</p> <p>SN11</p>	<p>Lounge Chair, Armless, With Tablet, Non-contrast</p> <ul style="list-style-type: none"> Fully upholstered 4 feet w/glides (glides adjust 7/8"), 4 casters, 4 feet w/glides and 2 rollers (glides adjust 7/8") or swivel base Double needle stitch detail Push thru for cleanability Non-contrast C.O.M = 3.75 yds Overall Dimensions: W=37.25" D=35.5" H=32.25" Rollers add 1.75" to overall depth 12x15" rectangle, laminate tablet with a 73P edge affixed to either left-facing (right-handed) or right-facing arm (left-handed) Tablet arm has a 360-degree swivel with a solid aluminum support post Replacement Tablet Arm Kits available (SNSRTA) 	Left-facing	SN11NCTL	<input type="checkbox"/>	<input type="checkbox"/>	<input type="checkbox"/>	<input type="checkbox"/>	<input type="checkbox"/>	<input type="checkbox"/>	85.00#	\$ 2785	\$ 19	\$ 120
	Right-facing	SN11NCTR	<input type="checkbox"/>	<input type="checkbox"/>	<input type="checkbox"/>	<input type="checkbox"/>	<input type="checkbox"/>	<input type="checkbox"/>	<input type="checkbox"/>	85.00#	2785	19	120

HOW TO ORDER

- Indicate the following information on order form:
- Quantity of each item.
 - Model number, including options. See "How to Build a Model Number".
 - Any special service required.

Note:

- The indicates that a choice is required.
- The absence of the indicates that no choice is required.
- Alpha-numeric characters in place of indicate that no other alternatives are available.

HOW TO BUILD A MODEL NUMBER

- A** Select basic model.
- B** Select base.
 - CST** - Casters
 - PFT** - Poly feet
 - PFR** - Poly feet with rollers; add \$93
 - SWN** - Swivel Base; add \$267
- C** Select non-contrast or fabric contrast 1. Refer to ki.com/fabrics.
 - For yardage pricing, see Fabric Yardage Pricing page
- D** Select thread color. Refer to the **Product Color Options** page in this price list.
- E** Select surface finish. Refer to the **Product Color Options** page in this price list.
- F** Select edge color. Refer to the **Product Color Options** page in this price list.
- G** Select tablet support post color. Refer to the **Product Color Options** page in this price list.

NOTE

Ganging is not available on Sonrisa product

SPECIAL SERVICES

Special Carton Marking

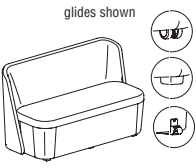
With specially marked information N/C

Shipping

Ships assembled, FOB High Point, NC 27263, freight prepaid.

Specifications and prices are subject to change without prior notice.



MODEL	Features	MODEL NUMBER				Approx. Packaged Weight	Delivered Pricing
		Basic Model	Base Option	Non-Contrast or Fabric Contrast 1	Thread Color		
 <p>SN21</p> <p>Loveseat, Armless, Non-contrast</p> <ul style="list-style-type: none"> Fully upholstered 6 poly feet with glides (glides adjust 7/8"), 6 casters, or 6 poly feet with glides and 2 rollers (glides adjust 7/8") Double needle stitch detail Push thru for cleanability Non-contrast C.O.M = 5.5 yds Overall Dimensions: W=55.5" D=25.5" H=32.25" Rollers add 1.75" to overall depth 	Non-contrast	SN21NC	<input type="checkbox"/>	<input type="checkbox"/>	<input type="checkbox"/>	130.00#	\$ 2865
			A	B	C		
					D		

HOW TO ORDER

- Indicate the following information on order form:
- Quantity of each item.
 - Model number, including options. See "How To Build a Model Number".
 - Any special service required.

Note:

- The indicates that a choice is required.
- The absence of the indicates that no choice is required.
- Alpha-numeric characters in place of indicate that no other alternatives are available.

HOW TO BUILD A MODEL NUMBER

- A** Select basic model.
- B** Select base.

CST	- Casters
PFT	- Poly feet
PFR	- Poly feet with rollers; add \$93
- C** Select non-contrast or fabric contrast 1. Refer to ki.com/fabrics.
 - For yardage pricing, see Fabric Yardage Pricing page
- D** Select thread color. Refer to the **Product Color Options** page in this price list.

SPECIAL SERVICES

Special Carton Marking

With specially marked information N/C

Shipping

Ships **assembled, FOB High Point, NC 27263, freight prepaid.**

Specifications and prices are subject to change without prior notice.

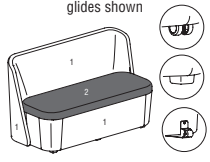
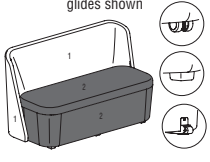

Sonrisa™ Lounge Seating

Loveseat - Armless



Sonrisa™ Lounge Seating

Loveseat - Armless

MODEL	Features	MODEL NUMBER					Approx. Packaged Weight	Delivered Pricing
		Basic Model	Base Option	Non-Contrast or Fabric Contrast 1	Fabric Contrast 2	Thread Color		
 <p>glides shown</p> <p>SN21</p>	<p>Loveseat, Armless, Contrast Seat</p> <p>Contrast Seat</p> <ul style="list-style-type: none"> Fully upholstered 6 poly feet with glides (glides adjust 7/8"), 6 casters, or 6 poly feet with glides and 2 rollers (glides adjust 7/8") Double needle stitch detail Push thru for cleanability 1 = Base & Back (Fabric Contrast 1) C.O.M = 5.25 yds 2 = Seat (Fabric Contrast 2) C.O.M = 1.5 yds Overall Dimensions: W=55.5" D=25.5" H=32.25" Rollers add 1.75" to overall depth 	SN21CA	<input type="checkbox"/>	<input type="checkbox"/>	<input type="checkbox"/>	<input type="checkbox"/>	130.00#	\$ 2993
 <p>glides shown</p> <p>SN21</p>	<p>Loveseat, Armless, Contrast Seat and Base</p> <p>Contrast Seat and Base</p> <ul style="list-style-type: none"> Fully upholstered 6 poly feet with glides (glides adjust 7/8"), 6 casters, or 6 poly feet with glides and 2 rollers (glides adjust 7/8") Double needle stitch detail Push thru for cleanability 1 = Back (Fabric Contrast 1) C.O.M = 3.5 yds 2 = Seat & Base (Fabric Contrast 2) C.O.M = 2.75 yds Overall Dimensions: W=55.5" D=25.5" H=32.25" Rollers add 1.75" to overall depth 	SN21CB	<input type="checkbox"/>	<input type="checkbox"/>	<input type="checkbox"/>	<input type="checkbox"/>	130.00#	\$ 2993
 <p>glides shown</p> <p>SN21</p>	<p>Loveseat, Armless, Contrast Outside Back</p> <p>Contrast Outside Back</p> <ul style="list-style-type: none"> Fully upholstered 6 poly feet with glides (glides adjust 7/8"), 6 casters, or 6 poly feet with glides and 2 rollers (glides adjust 7/8") Double needle stitch detail Push thru for cleanability 1 = Seat, Base, Inside Back (Fabric Contrast 1) C.O.M = 5 yds 2 = Outside Back (Fabric Contrast 2) C.O.M = 2.25 yds Overall Dimensions: W=55.5" D=25.5" H=32.25" Rollers add 1.75" to overall depth 	SN21CC	<input type="checkbox"/>	<input type="checkbox"/>	<input type="checkbox"/>	<input type="checkbox"/>	130.00#	\$ 2993
		A	B	C	D	E		

HOW TO ORDER

- Indicate the following information on order form:
- Quantity of each item.
 - Model number, including options. See "How To Build a Model Number".
 - Any special service required.

Note: • The indicates that a choice is required.

- The absence of the indicates that no choice is required.
- Alpha-numeric characters in place of indicate that no other alternatives are available.

HOW TO BUILD A MODEL NUMBER

- A** Select basic model.
- B** Select base.
- | | |
|------------|------------------------------------|
| CST | - Casters |
| PFT | - Poly feet |
| PFR | - Poly feet with rollers; add \$93 |
- C** Select non-contrast or fabric contrast 1.
Refer to ki.com/fabrics.
• For yardage pricing, see Fabric Yardage Pricing page
- D** Select fabric contrast 2.
Refer to ki.com/fabrics.
• For yardage pricing, see Fabric Yardage Pricing page
- E** Select thread color.
Refer to the **Product Color Options** page in this price list.

SPECIAL SERVICES

Special Carton Marking

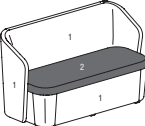
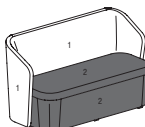
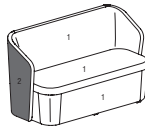
With specially marked information N/C

Shipping

Ships assembled, FOB High Point, NC 27263, freight prepaid.

Specifications and prices are subject to change without prior notice.



MODEL	Features	MODEL NUMBER					Approx. Packaged Weight	Delivered Pricing
		Basic Model	Base Option	Non-Contrast or Fabric Contrast 1	Fabric Contrast 2	Thread Color		
 <p>glides shown</p> <p>SN22</p> <p>Loveseat, With Arm, Contrast Seat</p> <ul style="list-style-type: none"> Contrast Seat Fully upholstered 6 poly feet with glides (glides adjust 7/8"), 6 casters, or 6 poly feet with glides and 2 rollers (glides adjust 7/8") Double needle stitch detail Push thru for cleanability 1 = Base & Back (Fabric Contrast 1) C.O.M = 5.75 yds 2 = Seat (Fabric Contrast 2) C.O.M = 1.5 yds Overall Dimensions: W=55.75" D=25.5" H=32.25" Rollers add 1.75" to overall depth 	Contrast Seat	SN22CA	<input type="checkbox"/>	<input type="checkbox"/>	<input type="checkbox"/>	<input type="checkbox"/>	132.00#	\$ 3198
 <p>glides shown</p> <p>SN22</p> <p>Loveseat, With Arm, Contrast Seat and Base</p> <ul style="list-style-type: none"> Contrast Seat and Base Fully upholstered 6 poly feet with glides (glides adjust 7/8"), 6 casters, or 6 poly feet with glides and 2 rollers (glides adjust 7/8") Double needle stitch detail Push thru for cleanability 1 = Back (Fabric Contrast 1) C.O.M = 4 yds 2 = Seat & Base (Fabric Contrast 2) C.O.M = 2.75 yds Overall Dimensions: W=55.75" D=25.5" H=32.25" Rollers add 1.75" to overall depth 	Contrast Seat and Base	SN22CB	<input type="checkbox"/>	<input type="checkbox"/>	<input type="checkbox"/>	<input type="checkbox"/>	132.00#	\$ 3198
 <p>glides shown</p> <p>SN22</p> <p>Loveseat, With Arm, Contrast Outside Back</p> <ul style="list-style-type: none"> Contrast Outside Back Fully upholstered 6 poly feet with glides (glides adjust 7/8"), 6 casters, or 6 poly feet with glides and 2 rollers (glides adjust 7/8") Double needle stitch detail Push thru for cleanability 1 = Seat, Base, Inside Back (Fabric Contrast 1) C.O.M = 5.25 yds 2 = Outside Back (Fabric Contrast 2) C.O.M = 2.25 yds Overall Dimensions: W=55.75" D=25.5" H=32.25" Rollers add 1.75" to overall depth 	Contrast Outside Back	SN22CC	<input type="checkbox"/>	<input type="checkbox"/>	<input type="checkbox"/>	<input type="checkbox"/>	132.00#	\$ 3198

A

B

C

D

E

HOW TO ORDER

Indicate the following information on order form:

- Quantity of each item.
- Model number, including options. See "How To Build a Model Number".
- Any special service required.

Note: • The indicates that a choice is required.

- The absence of the indicates that no choice is required.
- Alpha-numeric characters in place of indicate that no other alternatives are available.

HOW TO BUILD A MODEL NUMBER

A Select basic model.

B Select base.

CST	- Casters
PFT	- Poly feet
PFR	- Poly feet with rollers; add \$93

C Select non-contrast or fabric contrast 1.

Refer to ki.com/fabrics.
• For yardage pricing, see Fabric Yardage Pricing page

D Select fabric contrast 2.

Refer to ki.com/fabrics.
• For yardage pricing, see Fabric Yardage Pricing page

E Select thread color.

Refer to the **Product Color Options** page in this price list.

SPECIAL SERVICES

Special Carton Marking

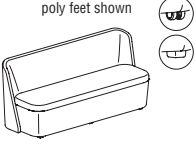
With specially marked information N/C

Shipping

Ships assembled, FOB High Point, NC 27263, freight prepaid.

Specifications and prices are subject to change without prior notice.



MODEL	Features	MODEL NUMBER				Approx. Packaged Weight	Delivered Pricing
		Basic Model	Base Option	Non-Contrast or Fabric Contrast 1	Thread Color		
 <p>poly feet shown</p> <p>Sofa, Armless, Non-contrast</p> <ul style="list-style-type: none"> Fully upholstered 7 poly feet with glides (glides adjust 7/8" or 7 casters) Double needle stitch detail Push thru for cleanability Non-contrast C.O.M = 7.5 yds Overall Dimensions: W=73.5" D=25.5" H=32.25" 	Non-contrast	SN31NC	<input type="checkbox"/>	<input type="checkbox"/>	<input type="checkbox"/>	165.00#	\$ 3570

SN31

A **B** **C** **D**

HOW TO ORDER

- Indicate the following information on order form:
- Quantity of each item.
 - Model number, including options. See "How To Build a Model Number".
 - Any special service required.

Note:

- The indicates that a choice is required.
- The absence of the indicates that no choice is required.
- Alpha-numeric characters in place of indicate that no other alternatives are available.

HOW TO BUILD A MODEL NUMBER

- A** Select basic model.
- B** Select base.

CST	- Casters
PFT	- Poly feet
- C** Select non-contrast or fabric contrast 1. Refer to ki.com/fabrics.
 - For yardage pricing, see Fabric Yardage Pricing page
- D** Select thread color. Refer to the **Product Color Options** page in this price list.

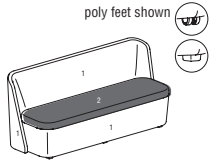
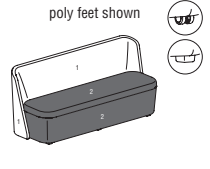
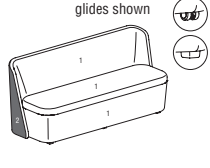
SPECIAL SERVICES

Special Carton Marking
With specially marked information N/C

Shipping
Ships assembled, FOB High Point, NC 27263, freight prepaid.

Specifications and prices are subject to change without prior notice.



MODEL	Features	MODEL NUMBER					Approx. Packaged Weight	Delivered Pricing	
		Basic Model	Base Option	Non-Contrast or Fabric Contrast 1	Fabric Contrast 2	Thread Color			
 <p>poly feet shown</p> <p>SN31</p> <p>Sofa, Armless, Contrast Seat</p> <ul style="list-style-type: none"> Fully upholstered 7 poly feet with glides (glides adjust 7/8") or 7 casters Double needle stitch detail Push thru for cleanability 1 = Base & Back (Fabric Contrast 1) C.O.M = 7 yds 2 = Seat (Fabric Contrast 2) C.O.M = 2 yds Overall Dimensions: W=73.5" D=25.5" H=32.25" 	Contrast Seat	SN31CA	<input type="checkbox"/>	<input type="checkbox"/>	<input type="checkbox"/>	<input type="checkbox"/>	165.00#	\$ 3700	
 <p>poly feet shown</p> <p>SN31</p> <p>Sofa, Armless, Contrast Seat and Base</p> <ul style="list-style-type: none"> Fully upholstered 7 poly feet with glides (glides adjust 7/8") or 7 casters Double needle stitch detail Push thru for cleanability 1 = Back (Fabric Contrast 1) C.O.M = 5 yds 2 = Seat & Base (Fabric Contrast 2) C.O.M = 4 yds Overall Dimensions: W=73.5" D=25.5" H=32.25" 	Contrast Seat and Base	SN31CB	<input type="checkbox"/>	<input type="checkbox"/>	<input type="checkbox"/>	<input type="checkbox"/>	165.00#	\$ 3700	
 <p>glides shown</p> <p>SN31</p> <p>Sofa, Armless, Contrast Outside Back</p> <ul style="list-style-type: none"> Fully upholstered 7 poly feet with glides (glides adjust 7/8") or 7 casters Double needle stitch detail Push thru for cleanability 1 = Seat, Base, Inside Back (Fabric Contrast 1) C.O.M = 7 yds 2 = Outside Back (Fabric Contrast 2) C.O.M = 2.5 yds Overall Dimensions: W=73.5" D=25.5" H=32.25" 	Contrast Outside Back	SN31CC	<input type="checkbox"/>	<input type="checkbox"/>	<input type="checkbox"/>	<input type="checkbox"/>	165.00#	\$ 3700	
			A	B	C	D	E		

HOW TO ORDER

Indicate the following information on order form:

- Quantity of each item.
- Model number, including options. See "How To Build a Model Number".
- Any special service required.

Note: • The indicates that a choice is required.

- The absence of the indicates that no choice is required.
- Alpha-numeric characters in place of indicate that no other alternatives are available.

HOW TO BUILD A MODEL NUMBER

- A** Select basic model.
- B** Select base.
- | | |
|------------|-------------|
| CST | - Casters |
| PFT | - Poly feet |
- C** Select non-contrast or fabric contrast 1.
Refer to ki.com/fabrics.
• For yardage pricing, see Fabric Yardage Pricing page
- D** Select fabric contrast 2.
Refer to ki.com/fabrics.
• For yardage pricing, see Fabric Yardage Pricing page
- E** Select thread color.
Refer to the **Product Color Options** page in this price list.

SPECIAL SERVICES

Special Carton Marking

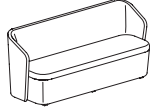


With specially marked information N/C

Shipping

Ships assembled, FOB High Point, NC 27263, freight prepaid.

Specifications and prices are subject to change without prior notice.



MODEL	Features	MODEL NUMBER				Approx. Packaged Weight	Delivered Pricing
		Basic Model	Base Option	Non-Contrast or Fabric Contrast 1	Thread Color		
 <p>poly feet shown  </p> <p>Sofa, With Arm, Non-contrast</p> <ul style="list-style-type: none"> Fully upholstered 7 poly feet with glides (glides adjust 7/8" or 7 casters) Double needle stitch detail Push thru for cleanability Non-contrast C.O.M = 8 yds Overall Dimensions: W=73.75" D=25.5" H=32.25" 	Non-contrast	SN32NC	<input type="checkbox"/>	<input type="checkbox"/>	<input type="checkbox"/>	168.00#	\$ 3780

SN32

A **B** **C** **D**

HOW TO ORDER

- Indicate the following information on order form:
- Quantity of each item.
 - Model number, including options. See "How To Build a Model Number".
 - Any special service required.

Note:

- The indicates that a choice is required.
- The absence of the indicates that no choice is required.
- Alpha-numeric characters in place of indicate that no other alternatives are available.

HOW TO BUILD A MODEL NUMBER

- A** Select basic model.
- B** Select base.

PFT	- Poly feet
CST	- Casters
- C** Select non-contrast or fabric contrast 1. Refer to ki.com/fabrics.
 - For yardage pricing, see Fabric Yardage Pricing page
- D** Select thread color. Refer to the **Product Color Options** page in this price list.

SPECIAL SERVICES

Special Carton Marking

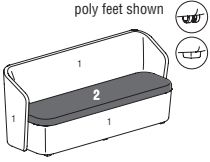

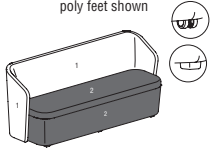

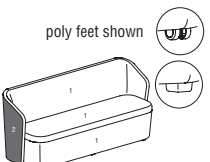

With specially marked information N/C

Shipping

Ships assembled, FOB High Point, NC 27263, freight prepaid.

Specifications and prices are subject to change without prior notice.



MODEL	Features	MODEL NUMBER					Approx. Packaged Weight	Delivered Pricing	
		Basic Model	Base Option	Non-Contrast or Fabric Contrast 1	Fabric Contrast 2	Thread Color			
 <p>poly feet shown </p> <p>Sofa, With Arm, Contrast Seat</p> <ul style="list-style-type: none"> Fully upholstered 7 poly feet with glides (glides adjust 7/8") or 7 casters Double needle stitch detail Push thru for cleanability 1 = Base & Back (Fabric Contrast 1) C.O.M = 7.25 yds 2 = Seat (Fabric Contrast 2) C.O.M = 2 yds Overall Dimensions: W=73.75" D=25.5" H=32.25" 	Contrast Seat	SN32CA	<input type="checkbox"/>	<input type="checkbox"/>	<input type="checkbox"/>	<input type="checkbox"/>	168.00#	\$ 3910	
 <p>poly feet shown </p> <p>Sofa, With Arm, Contrast Seat and Base</p> <ul style="list-style-type: none"> Fully upholstered 7 poly feet with glides (glides adjust 7/8") or 7 casters Double needle stitch detail Push thru for cleanability 1 = Back (Fabric Contrast 1) C.O.M = 5 yds 2 = Seat & Base (Fabric Contrast 2) C.O.M = 4 yds Overall Dimensions: W=73.75" D=25.5" H=32.25" 	Contrast Seat and Base	SN32CB	<input type="checkbox"/>	<input type="checkbox"/>	<input type="checkbox"/>	<input type="checkbox"/>	168.00#	\$ 3910	
 <p>poly feet shown </p> <p>Sofa, With Arm, Contrast Outside Back</p> <ul style="list-style-type: none"> Fully upholstered 7 poly feet with glides (glides adjust 7/8") or 7 casters Double needle stitch detail Push thru for cleanability 1 = Seat, Base, Inside Back (Fabric Contrast 1) C.O.M = 7 yds 2 = Outside Back (Fabric Contrast 2) C.O.M = 3 yds Overall Dimensions: W=73.75" D=25.5" H=32.25" 	Contrast Outside Back	SN32CC	<input type="checkbox"/>	<input type="checkbox"/>	<input type="checkbox"/>	<input type="checkbox"/>	168.00#	\$ 3910	
			A	B	C	D	E		

HOW TO ORDER

- Indicate the following information on order form:
- Quantity of each item.
 - Model number, including options. See "How To Build a Model Number".
 - Any special service required.

Note:

- The indicates that a choice is required.
- The absence of the indicates that no choice is required.
- Alpha-numeric characters in place of indicate that no other alternatives are available.

HOW TO BUILD A MODEL NUMBER

- A** Select basic model.
- B** Select base.
- | | |
|------------|-------------|
| CST | - Casters |
| PFT | - Poly feet |
- C** Select non-contrast or fabric contrast 1.
Refer to ki.com/fabrics.
- For yardage pricing, see Fabric Yardage Pricing page
- D** Select fabric contrast 2.
Refer to ki.com/fabrics.
- For yardage pricing, see Fabric Yardage Pricing page
- E** Select thread color.
Refer to the **Product Color Options** page in this price list.

SPECIAL SERVICES
Special Carton Marking

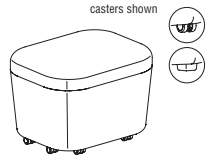
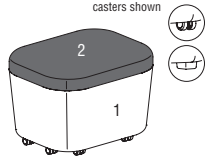
With specially marked information N/C

Shipping

Ships assembled, FOB High Point, NC 27263, freight prepaid.

Specifications and prices are subject to change without prior notice.



MODEL	Features	MODEL NUMBER					Approx. Packaged Weight	Delivered Pricing	
		Basic Model	Base Option	Non-Contrast or Fabric Contrast 1	Fabric Contrast 2	Thread Color			
 <p>Ottoman, Non-contrast</p> <ul style="list-style-type: none"> Fully upholstered 4 poly feet with glides (glides adjust 7/8" or 8 casters) Double needle stitch detail Non-contrast C.O.M = 1.75 yds Overall Dimensions: W=24.75" D=19.5" H=17.5" 	Non-contrast	SN10NC	<input type="checkbox"/> <input type="checkbox"/> <input type="checkbox"/>	<input type="checkbox"/> <input type="checkbox"/>			41.00#	\$ 1127	
 <p>Ottoman, Contrast Seat</p> <ul style="list-style-type: none"> Fully upholstered 4 poly feet with glides (glides adjust 7/8" or 8 Casters) Double needle stitch detail 1 = Base (Fabric Contrast 1) C.O.M = 1 yd 2 = Seat (Fabric Contrast 2) C.O.M = .75 yd Overall Dimensions: W=24.75" D=19.5" H=17.5" 	Contrast Seat	SN10CA	<input type="checkbox"/> <input type="checkbox"/> <input type="checkbox"/>	<input type="checkbox"/> <input type="checkbox"/>	<input type="checkbox"/> <input type="checkbox"/>		41.00#	\$ 1179	
			A	B	C	D	E		

HOW TO ORDER

- Indicate the following information on order form:
- Quantity of each item.
 - Model number, including options. See "How To Build a Model Number".
 - Any special service required.

Note:

- The indicates that a choice is required.
- The absence of the indicates that no choice is required.
- Alpha-numeric characters in place of indicate that no other alternatives are available.

HOW TO BUILD A MODEL NUMBER

- A** Select basic model.
- B** Select base.
 - CST** - Casters
 - PFT** - Poly feet
- C** Select non-contrast or fabric contrast 1. Refer to ki.com/fabrics.
 - For yardage pricing, see Fabric Yardage Pricing page
- D** Select fabric contrast 2. Refer to ki.com/fabrics.
 - For yardage pricing, see Fabric Yardage Pricing page
- E** Select thread color. Refer to the **Product Color Options** page in this price list.

SPECIAL SERVICES

Special Carton Marking

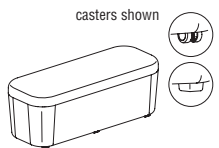
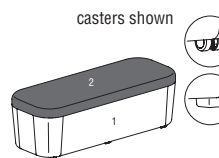
With specially marked information N/C

Shipping

Ships **assembled, FOB High Point, NC 27263, freight prepaid.**

Specifications and prices are subject to change without prior notice.



MODEL	Features	MODEL NUMBER					Approx. Packaged Weight	Delivered Pricing
		Basic Model	Base Option	Non-Contrast or Fabric Contrast 1	Fabric Contrast 2	Thread Color		
 <p>Bench, 2 Seat, Non-contrast</p> <ul style="list-style-type: none"> Fully upholstered 6 poly feet with glides (glides adjust 7/8" or 6 casters) Double needle stitch detail Non-Contrast C.O.M = 2.75 yds Overall Dimensions: W=50.25" D=19.5" H=17.5" 	Non-contrast	SN20NC	<input type="checkbox"/> <input type="checkbox"/> <input type="checkbox"/>	<input type="checkbox"/> <input type="checkbox"/>			69.00#	\$ 1707
<p>SN20</p>								
 <p>Bench, 2 Seat, Contrast Seat</p> <ul style="list-style-type: none"> Fully upholstered 6 poly feet with glides (glides adjust 7/8" or 6 casters) Double needle stitch detail 1 = Base (Fabric Contrast 1) C.O.M = 1.75 yds 2 = Seat (Fabric Contrast 2) C.O.M = 1.5 yds Overall Dimensions: W=50.25" D=19.5" H=17.5" 	Contrast Seat	SN20CA	<input type="checkbox"/> <input type="checkbox"/> <input type="checkbox"/>	<input type="checkbox"/> <input type="checkbox"/>	<input type="checkbox"/> <input type="checkbox"/>	<input type="checkbox"/> <input type="checkbox"/> <input type="checkbox"/>	69.00#	\$ 1774
<p>SN20</p>								
			A	B	C	D	E	

HOW TO ORDER

- Indicate the following information on order form:
- Quantity of each item.
 - Model number, including options. See "How To Build a Model Number".
 - Any special service required.

Note:

- The indicates that a choice is required.
- The absence of the indicates that no choice is required.
- Alpha-numeric characters in place of indicate that no other alternatives are available.

HOW TO BUILD A MODEL NUMBER

- A** Select basic model.
- B** Select base.
 - CST** - Casters
 - PFT** - Poly feet
- C** Select non-contrast or fabric contrast 1. Refer to ki.com/fabrics.
 - For yardage pricing, see Fabric Yardage Pricing page
- D** Select fabric contrast 2. Refer to ki.com/fabrics.
 - For yardage pricing, see Fabric Yardage Pricing page
- E** Select thread color. Refer to the **Product Color Options** page in this price list.

SPECIAL SERVICES

Special Carton Marking

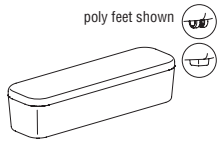
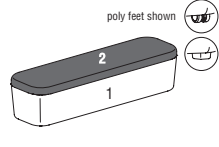
With specially marked information N/C

Shipping

Ships assembled, FOB High Point, NC 27263, freight prepaid.

Specifications and prices are subject to change without prior notice.



MODEL	Features	MODEL NUMBER					Approx. Packaged Weight	Delivered Pricing
		Basic Model	Base Option	Non-Contrast or Fabric Contrast 1	Fabric Contrast 2	Thread Color		
 <p>poly feet shown</p> <p>Bench, 3 Seat, Non-contrast</p> <ul style="list-style-type: none"> Fully upholstered 6 poly feet with glides (glides adjust 7/8" or 6 casters) Double needle stitch detail Non-Contrast C.O.M = 4 yds Overall Dimensions: W=68.5" D=19.5" H=17.5" 	Non-contrast	SN30NC	<input type="checkbox"/> <input type="checkbox"/> <input type="checkbox"/>	<input type="checkbox"/> <input type="checkbox"/>			90.00#	\$ 1995
<p>SN30</p>								
 <p>poly feet shown</p> <p>Bench, 3 Seat, Contrast Seat</p> <ul style="list-style-type: none"> Fully upholstered 6 poly feet with glides (glides adjust 7/8" or 6 casters) Double needle stitch detail 1 = Base (Fabric Contrast 1) C.O.M = 2.5 yds 2 = Seat (Fabric Contrast 221) C.O.M = 2 yds Overall Dimensions: W=68.5" D=19.5" H=17.5" 	Contrast Seat	SN30CA	<input type="checkbox"/> <input type="checkbox"/> <input type="checkbox"/>	<input type="checkbox"/> <input type="checkbox"/>	<input type="checkbox"/> <input type="checkbox"/>		90.00#	\$ 2065
<p>SN30</p>								
			A	B	C	D	E	

HOW TO ORDER

- Indicate the following information on order form:
- Quantity of each item.
 - Model number, including options. See "How To Build a Model Number".
 - Any special service required.

Note:

- The indicates that a choice is required.
- The absence of the indicates that no choice is required.
- Alpha-numeric characters in place of indicate that no other alternatives are available.

HOW TO BUILD A MODEL NUMBER

- A** Select basic model.
- B** Select base.
 - CST** - Casters
 - PFT** - Poly feet
- C** Select non-contrast or fabric contrast 1. Refer to ki.com/fabrics.
 - For yardage pricing, see Fabric Yardage Pricing page
- D** Select fabric contrast 2. Refer to ki.com/fabrics.
 - For yardage pricing, see Fabric Yardage Pricing page
- E** Select thread color. Refer to the **Product Color Options** page in this price list.

SPECIAL SERVICES

Special Carton Marking

With specially marked information N/C

Shipping

Ships assembled, FOB High Point, NC 27263, freight prepaid.

Specifications and prices are subject to change without prior notice.



MODEL	Features	MODEL NUMBER			Approx. Packaged Weight	Delivered Pricing
		Basic Model	Non-Contrast or Fabric Contrast 1	Thread Color		
SNSR	<p>Replacement Lounge Chair/Ottoman Seat</p> <p>Non-contrast</p> <ul style="list-style-type: none"> Field replaceable seat for lounge chair or ottoman (base not included) Basic tools required Non-Contrast C.O.M = 1 yd When ordering a fabric with a pattern on a replacement part, be aware there is no way to ensure a match to an existing unit with that same pattern. 	SNSR902NC	<input type="checkbox"/>	<input type="checkbox"/>	0.00#	\$ 1066
SNSR	<p>Replacement Lounge Chair Base without Seat</p> <p>Non-contrast</p> <ul style="list-style-type: none"> Field replaceable base without seat for lounge chair only Experienced Installer Recommended Basic tools required Does not come with poly feet, casters or poly feet with rollers. If required, order field replaceable base kits. Not to be used as an ottoman. Includes bracketry to be able to attach a chair back Non-Contrast C.O.M = 1.25 yds When ordering a fabric with a pattern on a replacement part, be aware there is no way to ensure a match to an existing unit with that same pattern. 	SNSR905NC	<input type="checkbox"/>	<input type="checkbox"/>	0.00#	\$ 872

A **B** **C**

HOW TO ORDER

- Indicate the following information on order form:
- Quantity of each item.
 - Model number, including options. See "How To Build a Model Number".
 - Any special service required.

Note:

- The indicates that a choice is required.
- The absence of the indicates that no choice is required.
- Alpha-numeric characters in place of indicate that no other alternatives are available.

HOW TO BUILD A MODEL NUMBER

- A** Select basic model.
- B** Select non-contrast or fabric contrast 1. Refer to ki.com/fabrics.
 - For yardage pricing, see Fabric Yardage Pricing page
- C** Select thread color. Refer to the **Product Color Options** page in this price list.

SPECIAL SERVICES

Special Carton Marking

With specially marked information N/C

Shipping

Ships **assembled, FOB High Point, NC 27263, freight prepaid.**

Specifications and prices are subject to change without prior notice.



MODEL	Features	MODEL NUMBER				Approx. Packaged Weight	Delivered Pricing	
		Basic Model	Non-Contrast or Fabric Contrast 1	Fabric Contrast 2	Thread Color			
SNSR	Replacement Lounge Chair Base with Seat, Non-contrast • Field replaceable base and seat for lounge chair only • Experienced Installer Recommended • Basic tools required • Does not come with poly feet, casters or poly feet with rollers. If required, order field replaceable base kits. • Not to be used as an ottoman. Includes bracketry to be able to attach a chair back • Non-contrast C.O.M = 1.75 yds • When ordering a fabric with a pattern on a replacement part, be aware there is no way to ensure a match to an existing unit with that same pattern.	Non-contrast	SNSR904NC	<input type="checkbox"/>		<input type="checkbox"/>	0.00#	\$ 1871
SNSR	Replacement Lounge Chair Base with Seat, Contrast Seat • Field replaceable base and seat for lounge chair only • Experienced Installer Recommended • Basic tools required • Does NOT come with poly feet, casters or poly feet with rollers. If required, order field replaceable base kits. • Not to be used as an ottoman. Includes bracketry to be able to attach a chair back • 1 = Base (Fabric Contrast 1) C.O.M = 1.25 yds • 2 = Seat (Fabric Contrast 2) C.O.M = 1 yd • When ordering a fabric with a pattern on a replacement part, be aware there is no way to ensure a match to an existing unit with that same pattern.	Contrast Seat	SNSR904CA	<input type="checkbox"/>	<input type="checkbox"/>	<input type="checkbox"/>	0.00#	\$ 1922

A **B** **C** **D**

HOW TO ORDER

- Indicate the following information on order form:
- Quantity of each item.
 - Model number, including options. See "How To Build a Model Number".
 - Any special service required.

Note: • The indicates that a choice is required.
 • The absence of the indicates that no choice is required.
 • Alpha-numeric characters in place of indicate that no other alternatives are available.

HOW TO BUILD A MODEL NUMBER

- A** Select basic model.
- B** Select non-contrast or fabric contrast 1. Refer to ki.com/fabrics.
 • For yardage pricing, see Fabric Yardage Pricing page
- C** Select fabric contrast 2. Refer to ki.com/fabrics.
 • For yardage pricing, see Fabric Yardage Pricing page
- D** Select thread color. Refer to the **Product Color Options** page in this price list.

SPECIAL SERVICES

Special Carton Marking

With specially marked information N/C

Shipping

Ships **assembled, FOB High Point, NC 27263, freight prepaid.**

Specifications and prices are subject to change without prior notice.



MODEL	Features	MODEL NUMBER				Approx. Packaged Weight	Delivered Pricing	
		Basic Model	Non-Contrast or Fabric Contrast 1	Fabric Contrast 2	Thread Color			
SNSR	Replacement Lounge Chair Back, Armless, Non-contrast • Field replaceable armless back for lounge chair only • Experienced Installer Recommended • Basic tools required • Not to be used as an add-on to an ottoman. An ottoman does not include bracketry to be able to attach a chair back • Non-Contrast C.O.M = 2.5yds • When ordering a fabric with a pattern on a replacement part, be aware there is no way to ensure a match to an existing unit with that same pattern.	Non-contrast	SNSR907NC	<input type="checkbox"/>		<input type="checkbox"/>	0.00#	\$ 1487
SNSR	Replacement Lounge Chair Back, Armless, Contrast Outside Back • Field replaceable back for lounge chair only • Experienced Installer Recommended • Basic tools required • Not to be used as an add-on to an ottoman. An ottoman does not include bracketry to be able to attach a chair back • 1 = Inside Back (Fabric Contrast 1) C.O.M = 1.5 yds • 2 = Outside Back (Fabric Contrast 2) C.O.M = 1.5 yds • When ordering a fabric with a pattern on a replacement part, be aware there is no way to ensure a match to an existing unit with that same pattern.	Contrast Outside Back	SNSR907CC	<input type="checkbox"/>	<input type="checkbox"/>	<input type="checkbox"/>	0.00#	\$ 1543

A **B** **C** **D**

HOW TO ORDER

- Indicate the following information on order form:
- Quantity of each item.
 - Model number, including options. See "How To Build a Model Number".
 - Any special service required.

Note:

- The indicates that a choice is required.
- The absence of the indicates that no choice is required.
- Alpha-numeric characters in place of indicate that no other alternatives are available.

HOW TO BUILD A MODEL NUMBER

- A** Select basic model.
- B** Select non-contrast or fabric contrast 1. Refer to ki.com/fabrics.
 • For yardage pricing, see Fabric Yardage Pricing page
- C** Select fabric contrast 2. Refer to ki.com/fabrics.
 • For yardage pricing, see Fabric Yardage Pricing page
- D** Select thread color. Refer to the **Product Color Options** page in this price list.

SPECIAL SERVICES

Special Carton Marking

With specially marked information N/C

Shipping

Ships **assembled, FOB High Point, NC 27263, freight prepaid.**

Specifications and prices are subject to change without prior notice.



MODEL	Features	MODEL NUMBER				Approx. Packaged Weight	Delivered Pricing	
		Basic Model	Non-Contrast or Fabric Contrast 1	Fabric Contrast 2	Thread Color			
SNSR	Replacement Lounge Chair Back, With Arm, Non-contrast • Field replaceable back with arms for lounge chair only • Experienced Installer Recommended • Basic tools required • Not to be used as an add-on to an ottoman. An ottoman does not include bracketry to be able to attach a chair back • Non-Contrast C.O.M = 2.75 yds • When ordering a fabric with a pattern on a replacement part, be aware there is no way to ensure a match to an existing unit with that same pattern.	Non-contrast	SNSR908NC	<input type="checkbox"/>		<input type="checkbox"/>	0.00#	\$ 1635
SNSR	Replacement Lounge Chair Back, With Arm, Contrast Outside Back • Field replaceable back with arm for lounge chair only • Experienced Installer Recommended • Basic tools required • Not to be used as an add-on to an ottoman. An ottoman does not include bracketry to be able to attach a chair back • 1 = Inside Back (Fabric Contrast 1) C.O.M = 2.25 yds • 2 = Outside Back (Fabric Contrast 2) C.O.M = 2.25 yds • When ordering a fabric with a pattern on a replacement part, be aware there is no way to ensure a match to an existing unit with that same pattern.	Contrast Outside Back	SNSR908CC	<input type="checkbox"/>	<input type="checkbox"/>	<input type="checkbox"/>	0.00#	\$ 1697

A **B** **C** **D**

HOW TO ORDER

- Indicate the following information on order form:
- Quantity of each item.
 - Model number, including options. See "How To Build a Model Number".
 - Any special service required.

Note:

- The indicates that a choice is required.
- The absence of the indicates that no choice is required.
- Alpha-numeric characters in place of indicate that no other alternatives are available.

HOW TO BUILD A MODEL NUMBER

- A** Select basic model.
- B** Select non-contrast or fabric contrast 1. Refer to ki.com/fabrics.
 • For yardage pricing, see Fabric Yardage Pricing page
- C** Select fabric contrast 2. Refer to ki.com/fabrics.
 • For yardage pricing, see Fabric Yardage Pricing page
- D** Select thread color. Refer to the **Product Color Options** page in this price list.

SPECIAL SERVICES

Special Carton Marking

With specially marked information N/C

Shipping

Ships **assembled, FOB High Point, NC 27263, freight prepaid.**

Specifications and prices are subject to change without prior notice.



MODEL	Features	MODEL NUMBER				Approx. Packaged Weight	Delivered Pricing	
		Basic Model	Non-Contrast or Fabric Contrast 1	Fabric Contrast 2	Thread Color			
SNSR	Replacement Bench, 2 Seat/Loveseat Seat • Field replaceable seat for loveseat or 2-seat bench (base not included) • Basic tools required • Non-Contrast C.O.M = 1.5 yds • When ordering a fabric with a pattern on a replacement part, be aware there is no way to ensure a match to an existing unit with that same pattern.	Non-contrast	SNSR909NC	<input type="checkbox"/>		<input type="checkbox"/>	0.00#	\$ 1517
SNSR	Replacement Loveseat Base without Seat • Field replaceable base without seat for loveseat only • Experienced Installer Recommended • Basic tools required • Does not come with poly feet, casters or poly feet with rollers. If required, order field replaceable base kits. • Not to be used as a 2-seat bench. Includes bracketry to be able to attach a loveseat back • Non-contrast C.O.M = 1.75 yds • When ordering a fabric with a pattern on a replacement part, be aware there is no way to ensure a match to an existing unit with that same pattern.	Non-contrast	SNSR911NC	<input type="checkbox"/>		<input type="checkbox"/>	0.00#	\$ 1435
			A	B	C	D		

HOW TO ORDER

Indicate the following information on order form:

- Quantity of each item.
- Model number, including options. See "How To Build a Model Number".
- Any special service required.

Note: • The indicates that a choice is required.

- The absence of the indicates that no choice is required.
- Alpha-numeric characters in place of indicate that no other alternatives are available.

HOW TO BUILD A MODEL NUMBER

- A** Select basic model.
- B** Select non-contrast or fabric contrast 1.
Refer to ki.com/fabrics.
• For yardage pricing, see Fabric Yardage Pricing page
- C** Select fabric contrast 2.
Refer to ki.com/fabrics.
• For yardage pricing, see Fabric Yardage Pricing page
- D** Select thread color.
Refer to the **Product Color Options** page in this price list.

SPECIAL SERVICES

Special Carton Marking

With specially marked information N/C

Shipping

Ships **assembled, FOB High Point, NC 27263, freight prepaid.**

Specifications and prices are subject to change without prior notice.



MODEL	Features	MODEL NUMBER				Approx. Packaged Weight	Delivered Pricing
		Basic Model	Non-Contrast or Fabric Contrast 1	Fabric Contrast 2	Thread Color		
SNSR	Replacement Loveseat Base with Seat, Non-contrast • Field replaceable base and seat for loveseat only • Experienced Installer Recommended • Basic tools required • Does not come with poly feet, casters or poly feet with rollers. If required, order field replaceable base kits • Not to be used as a 2-seat bench. Includes bracketry to attach a loveseat back • Non-Contrast C.O.M = 2.75 yds • When ordering a fabric with a pattern on a replacement part, be aware there is no way to ensure a match to an existing unit with that same pattern.	Non-contrast	SNSR910NC	<input type="checkbox"/>	<input type="checkbox"/>	0.00#	\$ 2132
SNSR	Replacement Loveseat Base with Seat, Contrast Seat • Field replaceable base and seat for loveseat only • Experienced Installer Recommended • Basic tools required • Does not come with poly feet, casters or poly feet with rollers. If required, order field replaceable base kits • Not to be used as a 2-seat bench. Includes bracketry to attach a loveseat back • 1 = Base (Fabric Contrast 1) C.O.M = 1.75 yds • 2 = Seat (Fabric Contrast 2) C.O.M = 1.5 yds • When ordering a fabric with a pattern on a replacement part, be aware there is no way to ensure a match to an existing unit with that same pattern.	Contrast Seat	SNSR910CA	<input type="checkbox"/>	<input type="checkbox"/>	0.00#	\$ 2199

A **B** **C** **D**

HOW TO ORDER

- Indicate the following information on order form:
- Quantity of each item.
 - Model number, including options. See "How To Build a Model Number".
 - Any special service required.

Note: • The indicates that a choice is required.
 • The absence of the indicates that no choice is required.
 • Alpha-numeric characters in place of indicate that no other alternatives are available.

HOW TO BUILD A MODEL NUMBER

- A** Select basic model.
- B** Select non-contrast or fabric contrast 1. Refer to ki.com/fabrics.
 • For yardage pricing, see Fabric Yardage Pricing page
- C** Select fabric contrast 2. Refer to ki.com/fabrics.
 • For yardage pricing, see Fabric Yardage Pricing page
- D** Select thread color. Refer to the **Product Color Options** page in this price list.



MODEL	Features	MODEL NUMBER				Approx. Packaged Weight	Delivered Pricing	
		Basic Model	Non-Contrast or Fabric Contrast 1	Fabric Contrast 2	Thread Color			
SNSR	Replacement Loveseat Back, Armless, Non-contrast • Field replaceable back for loveseat only • Experienced Installer Recommended • Basic tools required • Not to be used as an add-on to a 2-seat bench. A bench does not include brack-etry to be able to attach a loveseat back • Non-contrast C.O.M = 3.5 yds • When ordering a fabric with a pattern on a replacement part, be aware there is no way to ensure a match to an existing unit with that same pattern.	Non-contrast	SNSR913NC	<input type="checkbox"/>		<input type="checkbox"/>	0.00#	\$ 2148
SNSR	Replacement Loveseat Back, Armless, Contrast Outside Back • Field replaceable back for loveseat only • Experienced Installer Recommended • Basic tools required • Not to be used as an add-on to a 2-seat bench. A bench does not include brack-etry to be able to attach a loveseat back • 1 = Inside Back (Fabric Contrast 1) C.O.M = 2.25 yds • 2 = Outside Back (Fabric Contrast 2) C.O.M = 2.25 yds • When ordering a fabric with a pattern on a replacement part, be aware there is no way to ensure a match to an existing unit with that same pattern.	Contrast Outside Back	SNSR913CC	<input type="checkbox"/>	<input type="checkbox"/>	<input type="checkbox"/>	0.00#	\$ 2235

A **B** **C** **D**

HOW TO ORDER

- Indicate the following information on order form:
- Quantity of each item.
 - Model number, including options. See "How To Build a Model Number".
 - Any special service required.

Note:

- The indicates that a choice is required.
- The absence of the indicates that no choice is required.
- Alpha-numeric characters in place of indicate that no other alternatives are available.

HOW TO BUILD A MODEL NUMBER

- A** Select basic model.
- B** Select non-contrast or fabric contrast 1. Refer to ki.com/fabrics.
 • For yardage pricing, see Fabric Yardage Pricing page
- C** Select fabric contrast 2. Refer to ki.com/fabrics.
 • For yardage pricing, see Fabric Yardage Pricing page
- D** Select thread color. Refer to the **Product Color Options** page in this price list.

SPECIAL SERVICES

Special Carton Marking

With specially marked information N/C

Shipping

Ships **assembled, FOB High Point, NC 27263, freight prepaid.**

Specifications and prices are subject to change without prior notice.



MODEL	Features	MODEL NUMBER				Approx. Packaged Weight	Delivered Pricing	
		Basic Model	Non-Contrast or Fabric Contrast 1	Fabric Contrast 2	Thread Color			
SNSR	Replacement Loveseat Back, With Arm, Non-contrast • Field replaceable back with arm for loveseat only • Experienced Installer Recommended • Basic tools required • Not to be used as an add-on to a 2-seat bench. A bench does not include bracketry to be able to attach a loveseat back • Non-contrast C.O.M = 4 yds • When ordering a fabric with a pattern on a replacement part, be aware there is no way to ensure a match to an existing unit with that same pattern.	Non-contrast	SNSR914NC	<input type="checkbox"/>		<input type="checkbox"/>	0.00#	\$ 2343
SNSR	Replacement Loveseat Back, With Arm, Contrast Outside Back • Field replaceable back with arm for loveseat only • Experienced Installer Recommended • Basic tools required • Not to be used as an add-on to a 2-seat bench. A bench does not include bracketry to be able to attach a loveseat back • 1 = Inside Back (Fabric Contrast 1) C.O.M = 2.5 yds • 2 = Outside Back (Fabric Contrast 2) C.O.M = 2.25 yds • When ordering a fabric with a pattern on a replacement part, be aware there is no way to ensure a match to an existing unit with that same pattern.	Contrast Outside Back	SNSR914CC	<input type="checkbox"/>	<input type="checkbox"/>	<input type="checkbox"/>	0.00#	\$ 2435

A **B** **C** **D**

HOW TO ORDER

- Indicate the following information on order form:
- Quantity of each item.
 - Model number, including options. See "How To Build a Model Number".
 - Any special service required.

Note: • The indicates that a choice is required.
 • The absence of the indicates that no choice is required.
 • Alpha-numeric characters in place of indicate that no other alternatives are available.

HOW TO BUILD A MODEL NUMBER

- A** Select basic model.
- B** Select non-contrast or fabric contrast 1.
Refer to ki.com/fabrics.
• For yardage pricing, see Fabric Yardage Pricing page
- C** Select fabric contrast 2.
Refer to ki.com/fabrics.
• For yardage pricing, see Fabric Yardage Pricing page
- D** Select thread color.
Refer to the **Product Color Options** page in this price list.



MODEL	Features	MODEL NUMBER			Approx. Packaged Weight	Delivered Pricing	
		Basic Model	Non-Contrast or Fabric Contrast 1	Thread Color			
SNSR	<p>Replacement Sofa Base without Seat</p> <ul style="list-style-type: none"> Field replaceable base without seat for sofa only Experienced Installer Recommended Basic tools required Does not come with poly feet or casters. If required, order field replaceable base kits. Not to be used as a 3-seat bench. Includes bracketry to be able to attach a sofa back Non-Contrast C.O.M = 2.5 yds When ordering a fabric with a pattern on a replacement part, be aware there is no way to ensure a match to an existing unit with that same pattern. 	Non-contrast	SNSR915NC	<input type="checkbox"/> <input type="checkbox"/>	<input type="checkbox"/> <input type="checkbox"/> <input type="checkbox"/>	0.00#	\$ 1700

A **B** **C**

HOW TO ORDER

- Indicate the following information on order form:
- Quantity of each item.
 - Model number, including options. See "How To Build a Model Number".
 - Any special service required.

Note:

- The indicates that a choice is required.
- The absence of the indicates that no choice is required.
- Alpha-numeric characters in place of indicate that no other alternatives are available.

HOW TO BUILD A MODEL NUMBER

- A** Select basic model.
- B** Select non-contrast or fabric contrast 1. Refer to ki.com/fabrics.
 - For yardage pricing, see Fabric Yardage Pricing page
- C** Select thread color. Refer to the **Product Color Options** page in this price list.



MODEL	Features	MODEL NUMBER				Approx. Packaged Weight	Delivered Pricing	
		Basic Model	Non-Contrast or Fabric Contrast 1	Fabric Contrast 2	Thread Color			
SNSR	Replacement Sofa Base with Seat, Non-contrast • Field replaceable base and seat for sofa only • Experienced Installer Recommended • Basic tools required • Does not come with poly feet or casters. If required, order field replaceable base kits. • Not to be used as a 3-seat bench. Includes bracketry to be able to attach a sofa back • Non-contrast C.O.M = 4 yds • When ordering a fabric with a pattern on a replacement part, be aware there is no way to ensure a match to an existing unit with that same pattern.	Non-contrast	SNSR918NC	<input type="checkbox"/>		<input type="checkbox"/>	0.00#	\$ 2095
SNSR	Replacement Sofa Base with Seat, Contrast Seat • Field replaceable base and seat for sofa only • Experienced Installer Recommended • Basic tools required • Does not come with poly feet or casters. If required, order field replaceable base kits. • Not to be used as a 3-seat bench. Includes bracketry to be able to attach a sofa back • 1 = Base (Fabric Contrast 1) C.O.M = 2.5 yds • 2 = Seat (Fabric Contrast 2) C.O.M = 2 yds • When ordering a fabric with a pattern on a replacement part, be aware there is no way to ensure a match to an existing unit with that same pattern.	Contrast Seat	SNSR918CA	<input type="checkbox"/>	<input type="checkbox"/>	<input type="checkbox"/>	0.00#	\$ 2165
			A	B	C	D		

HOW TO ORDER

- Indicate the following information on order form:
- Quantity of each item.
 - Model number, including options. See "How To Build a Model Number".
 - Any special service required.

- Note:
- The indicates that a choice is required.
 - The absence of the indicates that no choice is required.
 - Alpha-numeric characters in place of indicate that no other alternatives are available.

HOW TO BUILD A MODEL NUMBER

- Select basic model.
- Select non-contrast or fabric contrast 1. Refer to ki.com/fabrics.
 - For yardage pricing, see Fabric Yardage Pricing page
- Select fabric contrast 2. Refer to ki.com/fabrics.
 - For yardage pricing, see Fabric Yardage Pricing page
- Select thread color. Refer to the **Product Color Options** page in this price list.



MODEL	Features	MODEL NUMBER				Approx. Packaged Weight	Delivered Pricing	
		Basic Model	Non-Contrast or Fabric Contrast 1	Fabric Contrast 2	Thread Color			
SNSR	Replacement Sofa Back, Armless, Non-contrast • Field replaceable armless back for sofa only • Experienced Installer Recommended • Basic tools required • NOT to be used as an add-on to a 3-seat bench. A bench does not include bracketry to be able to attach a sofa back • Non-Contrast C.O.M = 4.5yds • When ordering a fabric with a pattern on a replacement part, be aware there is no way to ensure a match to an existing unit with that same pattern.	Non-contrast	SNSR919NC	<input type="checkbox"/>		<input type="checkbox"/>	0.00#	\$ 2325
SNSR	Replacement Sofa Back, Armless, Contrast Outside Back • Field replaceable armless back for sofa only • Experienced Installer Recommended • Basic tools required • NOT to be used as an add-on to a 3-seat bench. A bench does NOT include bracketry to be able to attach a sofa back • 1 = Inside Back (Fabric Contrast 1) C.O.M = 3 yds • 2 = Outside Back (Fabric Contrast 2) C.O.M = 2.5 yds • When ordering a fabric with a pattern on a replacement part, be aware there is no way to ensure a match to an existing unit with that same pattern.	Contrast Outside Back	SNSR919CC	<input type="checkbox"/>	<input type="checkbox"/>	<input type="checkbox"/>	0.00#	\$ 2455

A **B** **C** **D**

HOW TO ORDER

- Indicate the following information on order form:
- Quantity of each item.
 - Model number, including options. See "How To Build a Model Number".
 - Any special service required.

Note:

- The indicates that a choice is required.
- The absence of the indicates that no choice is required.
- Alpha-numeric characters in place of indicate that no other alternatives are available.

HOW TO BUILD A MODEL NUMBER

- A** Select basic model.
- B** Select non-contrast or fabric contrast 1. Refer to ki.com/fabrics.
• For yardage pricing, see Fabric Yardage Pricing page
- C** Select fabric contrast 2. Refer to ki.com/fabrics.
• For yardage pricing, see Fabric Yardage Pricing page
- D** Select thread color. Refer to the **Product Color Options** page in this price list.

SPECIAL SERVICES

Special Carton Marking

With specially marked information N/C

Shipping

Ships **assembled, FOB High Point, NC 27263, freight prepaid.**

Specifications and prices are subject to change without prior notice.



MODEL	Features	MODEL NUMBER				Approx. Packaged Weight	Delivered Pricing	
		Basic Model	Non-Contrast or Fabric Contrast 1	Fabric Contrast 2	Thread Color			
SNSR	Replacement Sofa Back, With Arm, Non-contrast • Field replaceable back with arm for sofa only • Experienced Installer Recommended • Basic tools required • Not to be used as an add-on to a 3-seat bench. A bench does NOT include bracketry to be able to attach a sofa back • Non-Contrast C.O.M = 4.75yds • When ordering a fabric with a pattern on a replacement part, be aware there is no way to ensure a match to an existing unit with that same pattern.	Non-contrast	SNSR920NC	<input type="checkbox"/>		<input type="checkbox"/>	0.00#	\$ 2535
SNSR	Replacement Sofa Back, With Arm, Contrast Outside Back • Field replaceable back with arm for sofa only • Experienced Installer Recommended • Basic tools required • Not to be used as an add-on to a 3-seat bench. A bench does NOT include bracketry to be able to attach a sofa back • 1 = Inside Back (Fabric Contrast 1) C.O.M = 3 yds • 2 = Outside Back (Fabric Contrast 2) C.O.M = 3 yds • When ordering a fabric with a pattern on a replacement part, be aware there is no way to ensure a match to an existing unit with that same pattern.	Contrast Outside Back	SNSR920CC	<input type="checkbox"/>	<input type="checkbox"/>	<input type="checkbox"/>	0.00#	\$ 2665

A **B** **C** **D**

HOW TO ORDER

- Indicate the following information on order form:
- Quantity of each item.
 - Model number, including options. See "How To Build a Model Number".
 - Any special service required.

Note:

- The indicates that a choice is required.
- The absence of the indicates that no choice is required.
- Alpha-numeric characters in place of indicate that no other alternatives are available.

HOW TO BUILD A MODEL NUMBER

- A** Select basic model.
- B** Select non-contrast or fabric contrast 1. Refer to ki.com/fabrics.
 • For yardage pricing, see Fabric Yardage Pricing page
- C** Select fabric contrast 2. Refer to ki.com/fabrics.
 • For yardage pricing, see Fabric Yardage Pricing page
- D** Select thread color. Refer to the **Product Color Options** page in this price list.



MODEL	Features	MODEL NUMBER			Approx. Packaged Weight	Delivered Pricing
		Basic Model	Non-Contrast or Fabric Contrast 1	Thread Color		
SNSR	Replacement Bench, 2 Seat/Loveseat Seat • Field replaceable seat for loveseat or 2-seat bench (base not included) • Basic tools required • Non-Contrast C.O.M = 1.5 yds • When ordering a fabric with a pattern on a replacement part, be aware there is no way to ensure a match to an existing unit with that same pattern.	Non-contrast	SNSR909NC	<input type="checkbox"/> <input type="checkbox"/>	<input type="checkbox"/> <input type="checkbox"/> <input type="checkbox"/>	0.00# \$ 1517
SNSR	Replacement Bench, 2 Seat Base without Seat • Field replaceable base without seat for 2-seat bench only • Basic tools required • Does not come with poly feet, casters or poly feet with rollers. If required, order field replaceable base kits. • Not to be used as a loveseat. Does NOT include bracketry to be able to attach a loveseat back. • Non-Contrast C.O.M = 1.75 yds • When ordering a fabric with a pattern on a replacement part, be aware there is no way to ensure a match to an existing unit with that same pattern.	Non-contrast	SNSR912NC	<input type="checkbox"/> <input type="checkbox"/>	<input type="checkbox"/> <input type="checkbox"/> <input type="checkbox"/>	0.00# \$ 1405

A **B** **C**

HOW TO ORDER

- Indicate the following information on order form:
- Quantity of each item.
 - Model number, including options. See "How To Build a Model Number".
 - Any special service required.

Note:

- The indicates that a choice is required.
- The absence of the indicates that no choice is required.
- Alpha-numeric characters in place of indicate that no other alternatives are available.

HOW TO BUILD A MODEL NUMBER

- A** Select basic model.
- B** Select non-contrast or fabric contrast 1. Refer to ki.com/fabrics.
• For yardage pricing, see Fabric Yardage Pricing page
- C** Select thread color. Refer to the **Product Color Options** page in this price list.



	MODEL	Features	MODEL NUMBER			Approx. Packaged Weight	Delivered Pricing
			Basic Model	Non-Contrast or Fabric Contrast 1	Thread Color		
SNSR	Replacement Bench, 3 Seat Base without Seat	Non-contrast	SNSR916NC	<input type="checkbox"/> <input type="checkbox"/>	<input type="checkbox"/> <input type="checkbox"/> <input type="checkbox"/>	0.00#	\$ 1700
	<ul style="list-style-type: none"> Field replaceable base without seat for 3-seat bench only Basic tools required Does not come with poly feet or casters. If required, order field replaceable base kits. Not to be used as a sofa. Does NOT include bracketry to be able to attach a sofa back. Non-Contrast C.O.M = 2.5 yds When ordering a fabric with a pattern on a replacement part, be aware there is no way to ensure a match to an existing unit with that same pattern. 						
SNSR	Replacement Bench, 3 Seat/Sofa Seat	Non-contrast	SNSR917NC	<input type="checkbox"/> <input type="checkbox"/>	<input type="checkbox"/> <input type="checkbox"/> <input type="checkbox"/>	0.00#	\$ 1375
	<ul style="list-style-type: none"> Field replaceable seat for sofa or 3-seat bench (base not included) Basic tools required Non-Contrast C.O.M = 2 yds When ordering a fabric with a pattern on a replacement part, be aware there is no way to ensure a match to an existing unit with that same pattern. 						
			A	B	C		

HOW TO ORDER

Indicate the following information on order form:

- Quantity of each item.
- Model number, including options. See "How To Build a Model Number".
- Any special service required.

Note: • The indicates that a choice is required.

- The absence of the indicates that no choice is required.
- Alpha-numeric characters in place of indicate that no other alternatives are available.

HOW TO BUILD A MODEL NUMBER

- A** Select basic model.
- B** Select non-contrast or fabric contrast 1. Refer to ki.com/fabrics.
- For yardage pricing, see Fabric Yardage Pricing page
- C** Select thread color. Refer to the **Product Color Options** page in this price list.



MODEL	Features	MODEL NUMBER			Approx. Packaged Weight	Delivered Pricing
		Basic Model	Non-Contrast or Fabric Contrast 1	Thread Color		
SNSR	<p>Replacement Lounge Chair/Ottoman Seat</p> <p>Non-contrast</p> <ul style="list-style-type: none"> Field replaceable seat for lounge chair or ottoman (base not included) Basic tools required Non-Contrast C.O.M = 1 yd When ordering a fabric with a pattern on a replacement part, be aware there is no way to ensure a match to an existing unit with that same pattern. 	SNSR902NC	<input type="checkbox"/> <input type="checkbox"/>	<input type="checkbox"/> <input type="checkbox"/> <input type="checkbox"/>	0.00#	\$ 1066
SNSR	<p>Replacement Ottoman Base without Seat</p> <p>Non-contrast</p> <ul style="list-style-type: none"> Field replaceable base without seat for ottoman only Basic tools required Does not come with poly feet, casters or poly feet with rollers. If required, order field replaceable base kits. Not to be used as a chair. Does not include bracketry to be able to attach a chair back. Non-Contrast C.O.M = 1.25 yds When ordering a fabric with a pattern on a replacement part, be aware there is no way to ensure a match to an existing unit with that same pattern. 	SNSR906NC	<input type="checkbox"/> <input type="checkbox"/>	<input type="checkbox"/> <input type="checkbox"/> <input type="checkbox"/>	0.00#	\$ 846

A

B

C

HOW TO ORDER

Indicate the following information on order form:

- Quantity of each item.
- Model number, including options. See "How To Build a Model Number".
- Any special service required.

Note: • The indicates that a choice is required.

- The absence of the indicates that no choice is required.
- Alpha-numeric characters in place of indicate that no other alternatives are available.

HOW TO BUILD A MODEL NUMBER

- A** Select basic model.
- B** Select non-contrast or fabric contrast 1. Refer to ki.com/fabrics.
- For yardage pricing, see Fabric Yardage Pricing page
- C** Select thread color. Refer to the **Product Color Options** page in this price list.



MODEL	Features	MODEL NUMBER		Approx. Packaged Weight	Delivered Pricing
		Basic Model			
SNSR	Replacement Poly Feet - Lounge Chair/Ottoman (set of 4) • Field replaceable poly feet with glides (glides adjust 7/8") for lounge chair or ottoman • Basic tools required	Poly Feet (set of 4)	SNSR901G4	0.00#	\$ 104
SNSR	Replacement Poly Feet, Loveseat/Bench, 2 Seat & Bench, 3 Seat (set of 6) • Field replaceable poly feet with glides (glides adjust 7/8") for loveseat, 2-seat bench or 3-seat bench • Basic tools required	Poly Feet (set of 6)	SNSR901G6	0.00#	\$ 125
SNSR	Replacement Poly Feet - Sofa • Field replaceable poly feet with glides (glides adjust 7/8") for sofa • Basic tools required	Poly Feet (set of 7)	SNSR901G7	0.00#	\$ 150
SNSR	Replacement Casters - Lounge Chair • Field replaceable casters for lounge chair • Basic tools required	Casters (set of 4)	SNSR901C4	0.00#	\$ 104
SNSR	Replacement Casters, Loveseat/Bench, 2 Seat & Bench, 3 Seat (set of 6) • Field replaceable casters for loveseat, 2-seat bench or 3-seat bench • Basic tools required	Casters (set of 6)	SNSR901C6	0.00#	\$ 125
SNSR	Replacement Casters - Ottoman (set of 8) • Field replaceable casters and 1/2" black panels for ottoman • Basic tools required	Casters (set of 8)	SNSR901C8	0.00#	\$ 144
SNSR	Replacement Casters - Sofa (set of 7) • Field replaceable casters for sofa • Basic tools required	Casters, (set of 7)	SNSR901C7	0.00#	\$ 150

A

HOW TO ORDER

Indicate the following information on order form:

1. Quantity of each item.
2. Model number, including options. See "How To Build a Model Number".
3. Any special service required.

Note: • The indicates that a choice is required.

- The absence of the indicates that no choice is required.
- Alpha-numeric characters in place of indicate that no other alternatives are available.

HOW TO BUILD A MODEL NUMBER

- A** Select basic model.



	MODEL	Features	MODEL NUMBER				Approx. Packaged Weight	Delivered Pricing	Laminate Grade 2 add to list price	Laminate Grade 3 add to list price
			Basic Model	Surface Finish	Edge Color (73P)	Tablet Support Post Color				
SNSR	Replacement Rollers - Lounge Chair/Loveseat (set of 2) • Field replaceable rollers for lounge chairs and loveseats • Basic tools required	Rollers (set of 2)	SNSR901R				0.00# \$ 130		N/A	N/A
SNSR	Replacement Swivel Base - Lounge Chair • Field replaceable swivel base for lounge chair • Basic tools required • Note: Sonrisa Lounge Chairs ordered and shipped before 10/16/2024 will not be able to support a swivel base replacement.	Swivel Base	SNSR901SWN				0.00# \$ 456		N/A	N/A
SNSR	Replacement Tablet Arm • Field replaceable tablet surface and tablet support post • Basic tools required		SNSRTA	<input type="checkbox"/> <input type="checkbox"/> <input type="checkbox"/>	<input type="checkbox"/> <input type="checkbox"/> <input type="checkbox"/>	<input type="checkbox"/> <input type="checkbox"/> <input type="checkbox"/>	15.00# \$ 880		\$ 19	\$ 120

A **B** **C** **D**

HOW TO ORDER

- Indicate the following information on order form:
- Quantity of each item.
 - Model number, including options. See "How To Build a Model Number".
 - Any special service required.

Note:

- The indicates that a choice is required.
- The absence of the indicates that no choice is required.
- Alpha-numeric characters in place of indicate that no other alternatives are available.

HOW TO BUILD A MODEL NUMBER

- A** Select basic model.
- B** Select surface finish. Refer to the **Product Color Options** page in this price list.
- C** Select edge color. Refer to the **Product Color Options** page in this price list.
- D** Select tablet support post color. Refer to the **Product Color Options** page in this price list.



Sonrisa Occasional Tables

Tabletops

All tabletops are $\frac{3}{4}$ " nominal overall thickness with .030" thick high-pressure laminate top surface and .028" phenolic backer (bottom surface). The density of the core in $\frac{3}{4}$ " thick tops is 45 lb/cu ft particleboard, M3 grade. All tops have a 2 mm bonded edge band for tamper and moisture resistance (73P).

Legs

Legs come in two variations, 16" and 21" fixed-height. The legs are constructed of $\frac{7}{16}$ " diameter formed steel wire. Legs are finished in either bright nickel-chrome plating, or powder coat-painted in colors found in the Sonrisa Lounge Furniture Pricelist, on the Product Color Options page.

Glides

Glides are optional for all tables. The glides are Black, non-marking nylon. They attach to the bottom of the leg and are secured with a locking flat head machine screw. Glides add $\frac{5}{16}$ " to the overall height of the table.

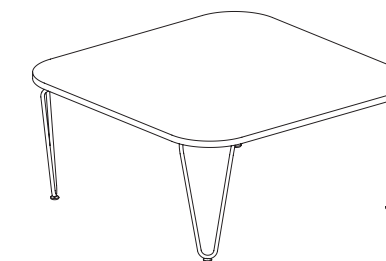
Occasional Tables



End Table
Square
SNT2121H21

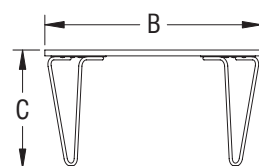


Coffee Table
Rectangular
SNT2430H16

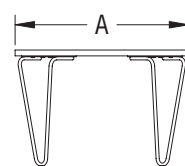


Coffee Table
Square
SNT3636H16

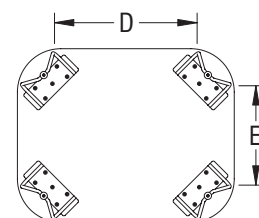
Sonrisa Occasional Table Dimensions					
Model Number	A Table Depth	B Table Width	C Table Height	D Space Between Legs	E Space Between Legs
SNT2121H21	21"	21"	No Glides - 21.05" Glides - 21.34"	10.64"	10.64"
SNT2430H16	24"	30"	No Glides - 16.08" Glides - 16.37"	19.75"	13.75"
SNT3636H16	36"	36"	No Glides - 16.08" Glides - 16.37"	25.75"	25.75"



(front view)



(side view)



(bottom view)



MODEL	MODEL NUMBER					Approx. Packaged Weight	Delivered Pricing	Laminate Grade 2 add to list price	Laminate Grade 3 add to list price
	Basic Model	Glide Option	Surface Finish	Edge Color (73P)	Base Finish				
<p>End Table, Square, 73P Edge, 21" x 21" x 21"</p> <ul style="list-style-type: none"> Laminate top 7/16" steel wire base with optional black nylon glides W=21" D=21" H=21.25" Glides add to the height of the overall table by 0.5" 	SNT2121H21-73P	<input type="checkbox"/>	<input type="checkbox"/>	<input type="checkbox"/>	<input type="checkbox"/>	28.0#	\$ 668	\$ 19	\$ 120
SNT									
<p>Coffee Table, Square, 73P Edge, 36" x 36" x 16"</p> <ul style="list-style-type: none"> Laminate top 7/16" steel wire base with optional black nylon glides W=36" D=36" H=16.25" Glides add to the height of the overall table by 0.5" 	SNT3636H16-73P	<input type="checkbox"/>	<input type="checkbox"/>	<input type="checkbox"/>	<input type="checkbox"/>	55.0#	\$ 782	\$ 37	\$ 235
SNT									
<p>Coffee Table, Rectangle, 73P Edge, 24" x 30" x 16"</p> <ul style="list-style-type: none"> Laminate top 7/16" steel wire base with optional black nylon glides W=30" D=24" H=16.25" Glides add to the height of the overall table by 0.5" 	SNT2430H16-73P	<input type="checkbox"/>	<input type="checkbox"/>	<input type="checkbox"/>	<input type="checkbox"/>	35.0#	\$ 720	\$ 19	\$ 120
SNT									

A **B** **C** **D** **E**

HOW TO ORDER

Indicate the following information on order form:

- Quantity of each item.
- Model number, including options. See "How To Build a Model Number".
- Any special service required.

Note: • The indicates that a choice is required.

- The absence of the indicates that no choice is required.
- Alpha-numeric characters in place of indicate that no other alternatives are available.

HOW TO BUILD A MODEL NUMBER

- A** Select basic model.
- B** Select glide.
- | | |
|------------|--------------------------|
| GNN | - No glides |
| GNV | - Nylon glides; add \$32 |
- C** Select surface finish.
Refer to the **Product Color Options** page in this price list.
- D** Select edge color.
Refer to the **Product Color Options** page in this price list.
- E** Select base finish.
Refer to the **Product Color Options** page in this price list.

FINISH INFORMATION
ADDITIONAL LAMINATE OFFERING

KI offers laminates beyond those offered in the standard offering. Laminates that are currently available in the program can be viewed in KI product specification tools. Requests to add laminates to the program can be submitted via the product modification request process. Please note, requests to add laminates to the program must include the laminate manufacturer's name, color/pattern number, and finish code. Edge options are limited to standard edge colors. If a matching edge is required, this will need to be requested thru the product modification request process and may be subject to additional costs. Due to varying manufacturing processes and quality issues with some laminates, some requests may be denied. Extended lead times and minimum order quantities may apply on orders containing special laminates. Contact the product modification team for questions or additional information regarding special laminates and pricing.



	MODEL	MODEL NUMBER			Approx. Packaged Weight	Delivered Pricing	Laminate Grade 2 add to list price	Laminate Grade 3 add to list price
		Basic Model	Surface Finish	Edge Color (73P)				
SNTR	End Table Replacement Top, Square, 21" x 21", 73P edge • Field replaceable Sonrisa square end laminate tabletop • Basic tools required	SNTRT2121-73P	<input type="checkbox"/> <input type="checkbox"/> <input type="checkbox"/>	<input type="checkbox"/> <input type="checkbox"/> <input type="checkbox"/>	16.0#	\$ 394	\$ 19	\$ 120
SNTR	Coffee Table Replacement Top, Square, 36" x 36", 73P edge • Field replaceable Sonrisa square coffee laminate tabletop • Basic tools required	SNTRT3636-73P	<input type="checkbox"/> <input type="checkbox"/> <input type="checkbox"/>	<input type="checkbox"/> <input type="checkbox"/> <input type="checkbox"/>	45.0#	\$ 523	\$ 37	\$ 235
SNTR	Coffee Table Replacement Top, Rectangle, 24" x 30", 73P edge • Field replaceable Sonrisa rectangle coffee laminate tabletop • Basic tools required	SNTRT2430-73P	<input type="checkbox"/> <input type="checkbox"/> <input type="checkbox"/>	<input type="checkbox"/> <input type="checkbox"/> <input type="checkbox"/>	25.0#	\$ 451	\$ 19	\$ 120

A

B

C

HOW TO ORDER

Indicate the following information on order form:

- Quantity of each item.
- Model number, including options. See "How To Build a Model Number".
- Any special service required.

Note: • The indicates that a choice is required.

- The absence of the indicates that no choice is required.
- Alpha-numeric characters in place of indicate that no other alternatives are available.

HOW TO BUILD A MODEL NUMBER

- A** Select basic model.
- B** Select surface finish.
Refer to the **Product Color Options** page in this price list.
- C** Select edge color.
Refer to the **Product Color Options** page in this price list.

FINISH INFORMATION

ADDITIONAL LAMINATE OFFERING

KI offers laminates beyond those offered in the standard offering. Laminates that are currently available in the program can be viewed in KI product specification tools. Requests to add laminates to the program can be submitted via the product modification request process. Please note, requests to add laminates to the program must include the laminate manufacturer's name, color/pattern number, and finish code. Edge options are limited to standard edge colors. If a matching edge is required, this will need to be requested thru the product modification request process and may be subject to additional costs. Due to varying manufacturing processes and quality issues with some laminates, some requests may be denied. Extended lead times and minimum order quantities may apply on orders containing special laminates. Contact the product modification team for questions or additional information regarding special laminates and pricing.



MODEL	MODEL NUMBER		Approx. Packaged Weight	Delivered Pricing
	Basic Model	Base Finish		
SNTR	Coffee Table Replacement Base Kit, 16" H (set of 4 legs) <ul style="list-style-type: none"> Field replaceable Sonrisa coffee table height base kit (set of 4 legs) 7/16" steel wire base Basic tools required Does NOT come with glides. If required, order Table Glide Kit(s) 	SNTRBH16 <input type="checkbox"/>	10.0#	\$ 337
SNTR	End Table Replacement Base Kit, 21" H (set of 4 legs) <ul style="list-style-type: none"> Field replaceable Sonrisa end table height base kit (set of 4 legs) 7/16" steel wire base Basic tools required Does NOT come with glides. If required, order Table Glide Kit(s) 	SNTRBH21 <input type="checkbox"/>	10.0#	\$ 347
SNTR	Table Glide Kit (set of 4) <ul style="list-style-type: none"> Black nylon glides (set of 4) for any Sonrisa table Mounting screws included Glides add to the height of the overall table by 0.5" Basic tools required 	SNTRGLD4	1.0#	\$ 37

A

B

HOW TO ORDER

Indicate the following information on order form:

- Quantity of each item.
- Model number, including options. See "How To Build a Model Number".
- Any special service required.

Note: • The indicates that a choice is required.

- The absence of the indicates that no choice is required.
- Alpha-numeric characters in place of indicate that no other alternatives are available.

HOW TO BUILD A MODEL NUMBER

A Select basic model.

B Select base finish.
Refer to the **Product Color Options** page in this price list.



1330 BELLEVUE STREET
GREEN BAY, WI 54302
800.424.2432 / KI.COM

KI is a trusted expert for furniture and wall systems around the globe.
USA | CANADA | MEXICO | UK | EUROPE | ASIA | MIDDLE EAST
© 2026 Krueger International, Inc. All Rights Reserved.