



STRIVE[®]
SEATING

PRICE LIST

EFFECTIVE APRIL 2, 2026
800.424.2432



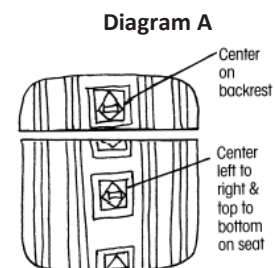
Ordering Customer's Own Material (C.O.M.) Upholstery	
Information	3
Strive® Stack Seating	
General Information	4
Product Color Options	10
Stack Chairs	11
Stack/Nesting	
Strive® Dolly	21
Strive® Stack Seating	
Cafe Stool	22
Strive® High Density	
General Information	23
Product Color Options	26
Stack Chair and Dolly	27
Stack Stools	28
Strive® Nesting	
General Information	29
Product Color Options	31
Chairs	32
Strive® Nesting Chairs	33
Strive® Tandem Seating	
General Information	34
Product Color Options	35
36	
Strive® Task Seating	
General Information	41
Product Color Options	45
Chairs	46
Stools	49



How to Specify

As a standard procedure, KI applies seating upholstery as swatched by the textile distributor. Reference distributor's website. Upholstery that is required to be applied differently than is swatched, will need a Product Modification Request written specifying the direction the upholstery is to be applied.

Seating upholstery requiring specific positioning of intricate patterns or patterns repeats on seats and backrests, will need a Product Modification Request written including a sketch noting the specific requirements, as in Diagram A.



When directional or patterned fabrics are used, they often require more yardage than solid colors.

C.O.M. must be supplied in continuous yardage.

C.O.M. yardage requirements accompanying products in the pricing section are for 10 chairs/seats or less, 54" wide nondirectional material. On larger orders, less material is required.

Leather hides must be a minimum of 50 square feet of usable material. The outer edges cannot be calculated as square feet or yardage. To determine square footage, multiply unit yardage by 18 square feet to obtain the total square footage required per unit.

For exact production yardage requirements, call 1-800-424-2432, ext. 2707.

Production

Customer's upholstery must be approved prior to acceptance for production.

C.O.M. not received into the appropriate facility 3 weeks prior to acknowledged delivery date may go on hold. See KI C.O.M. Shipping Location listing for the correct facility address by product.

Testing

When KI requires testing, actual yardage to upholster one chair may be required. The C.O.M. Specialist will confirm model and fabric testing requirements when applicable.

Approved test samples will be applied to the order or will be held for 6 months. After 6 months, the sample will no longer be applied to your order. For all product testing, send fabric samples to the manufacturing facility. See KI C.O.M. Shipping Location listing for the correct facility address by product.

All C.O.M. must be labeled with the KI product order number and customer purchase order number.

Treated Materials

If C.O.M. requires processing such as a stain resistance treatment or acrylic backing, it may shrink. To prevent delays in delivery or back ordering due to shrinkage, please have your processor verify measurement after processing and assure adequate yardage shipped.

Split Orders

If a portion of the shipment which does not require C.O.M. application is to be processed and shipped early, KI will enter the order immediately at your request. These split shipments are subject to minimum order changes.

Excess Upholstery Material

KI will dispose of excess upholstery material at the time of shipment unless expressly requested to return it with the product shipment.

Cancelled or Changed Orders

KI assumes no responsibility for extra C.O.M. due to a change of upholstery or cancellation of an order. If it the customer's responsibility to arrange for return of the material.

Contact the C.O.M. Specialist at 1-800-424-2432, ext. 2707, with questions or to request a split order.

C.O.M. SHIPPING LOCATION

Architectural Walls	
Evoke.....MN	
Genius.....MN	
Casegoods	
Aristotle.....MN	
Likha.....MN	
Classroom Furniture	
Cogni.....GB	
Intellect Wave.....GB	
Learn2.....GB	
Ruckus.....GB	
Desking	
700 Series.....KP	
Balance.....MN	
Genesis.....MN	
True.....KP	
Universal.....MN	
WorkZone.....MN	
Files & Storage	
700 Series.....GB	
Connection.....BW	
U-Series.....GB	
Tattoo.....BW	
Fixed Seating	
Concerto.....BW	
Single Pedestal.....GB	
Jury Base.....GB	
Lancaster.....BW	
Sequence.....GB	
University.....GB	

Panel Systems	
All Terrain.....KP	
Balance.....MN	
Universal.....MN	
Wireworks.....MN	
Unite.....MN	
Residence Hall Furniture	
RoomScape.....MN	
Screens	
All Terrain.....KP	
Connection Zone.....BW	
Tributaire.....BW	
True/Volition.....KP	
Genesis.....KP	
Tattoo.....MN	
Universal.....BW	
Seating	
600 Series.....BW	
Affina.....HN	
Altus.....GB	
Apply.....GB	
Calida.....HN	
Cascha.....VT	
Civara.....VT	
Clamber.....HN	
Cogni.....GB	
Diem.....OM	
Doni.....GB	
Gladly.....VQ	
Grazie.....GB	
Hub.....HN	
Impress.....OM	

Impress Ultra.....OM	
Intellect Wave.....GB	
Jessa.....HN	
Jubilee.....VQ	
Katera.....GB	
Kurv Benches.....HN	
Learn2.....GB	
LimeLite.....GB	
Lyra.....HN	
Medical & Laboratory Stools.....OM	
MyPlace.....HN	
MyWay.....HN	
Oath.....GB	
Opt4.....GB	
Pilot.....OM	
Promenade.....BW	
Ruckus.....GB	
Sela.....HN	
Sift.....GB	
Signia.....OM	
Soltice Metal.....HN	
Soltice.....HN	
Sonrisa.....HN	
Strive.....GB	
Sway.....BW	
Tattoo.....HN	
Torsion-on-the-Go!.....GB	
Torsion Air.....GB	
Zeker.....HN	
Zentori.....VT	
Zoetry.....HN	

KI C.O.M. Manufacturing Site Addresses:

BW
KI Bonduel
Attn: COM Storage
204 West South St.
Bonduel, WI 54107

HN
KI High Point
Attn: COM Storage
217 Feld Avenue
High Point, NC 27263

MN
KI Manitowoc
Attn: COM Storage
1400 S. 41st St.
Manitowoc, WI 54220

VQ
KI
Attn: COM Fabrics
6892 Marlin Circle
La Palma, CA 90623

GB
KI Green Bay
Attn: COM Storage
1687 Westminster Drive - Gate 3
Green Bay, WI 54302

KP
KI Pembroke
Attn: COM Storage
1000 Olympic Dr.
Pembroke, Ontario K8A6X7

OM
KI
Attn: COM Storage
1110 S. Mildred Ave.
Ontario, CA 91761

VI
KI
Attn: COM Storage
2803 South Taylor Drive
Sheboygan, WI 53081

Strive® Stack Seating

General Information



Strive® Stack Seating

General Information



Armless Four-Leg Chair (SLNAU)



Four-Leg Cantilever Arm Chair (SLCAP)



Four-Leg Loop Arm Chair (SLLAU)

Features			
Stackable	•	•	•
Poly, upholstered seat, or upholstered seat/back	•	•	•
Flex back	•	•	•
General Dimensions			
Seat width	18"	18"	18"
Seat depth	18"	18"	18"
Seat height (upholstered add 1")	18"	18"	18"
Overall Dimensions			
Width	20-3/4"	25"	25"
Depth	21-3/4"	21-3/4"	21-3/4"
Height	32-1/2"	32-1/2"	32-1/2"
Arms to floor		26-1/4"	26-1/4"
Stacking on Dolly			
Overall width	24"	25"	25"
Overall depth - poly	40"	40"	40"
Quantity/height - poly	15 Chairs/61" High	15 Chairs/62" High	15 Chairs/63" High
Overall depth - upholstered	45"	45"	45"
Quantity/height - upholstered	8 Chairs/50" High	8 Chairs/51" High	8 Chairs/51" High
Stacking on Floor			
Width	20-3/4"	25"	25"
Depth	27-1/2"	27-1/2"	27-1/2"
Quantity/height	4 Chairs/39" High	4 Chairs/39" High	4 Chairs/39" High



Armless Four-Leg Chair with Casters (SLNAPC)



Four-Leg Cantilever Arm Chair with Casters (SLCAUC)



Four-Leg Loop Arm Chair with Casters (SLLAUC)



Armless Sled Base Chair (SSNAP)

Sled Base Cantilever Arm Chair (SSCAU)

Features					
Stackable	•	•	•	•	•
Poly, upholstered seat, or upholstered seat/back	•	•	•	•	•
Flex back	•	•	•	•	•
General Dimensions					
Seat width	18"	18"	18"	18"	18"
Seat depth	18"	18"	18"	18"	18"
Seat height (upholstered add 1")	18-1/4"	18-1/4"	18-1/4"	18-1/4"	18-1/4"
Tablet to chair back clearance					
Overall Dimensions					
Width	21-1/4"	25"	25"	20-3/4"	25"
Depth	22-1/2"	22-1/2"	22-1/2"	21-3/4"	21-3/4"
Height	32-1/2"	32-1/2"	32-1/2"	32-1/2"	32-1/2"
Arms to floor		26-1/2"	26-1/2"		26-1/2"
Stacking on Dolly					
Width				24"	25"
Depth - poly				48"	48"
Quantity/height - poly				15 Chairs/64" High	15 Chairs/64" High
Depth - upholstered				48"	48"
Quantity/height - upholstered				8 Chairs/50" High	8 Chairs/50" High
Stacking on Floor					
Width	20-3/4"	25"	25"	20-3/4"	25"
Depth	27-1/2"	27-1/2"	27-1/2"	27-1/2"	27-1/2"
Quantity/height	4 Chairs/39" High	4 Chairs/39" High	4 Chairs/39" High	4 Chairs/39" High	4 Chairs/39" High

INFORMATION

C.O.M. Testing and Production Requirements

Not all materials are suitable for upholstering this product. A 1 yd. x 54" sample must be submitted and approved prior to acceptance of an order. If the fabric is directional in pattern or weave, the direction must be indicated on the submitted sample, and additional yardage may be requested.

Test samples must be sent to:

KI
Attn: C.O.M. Specialist
1687 Westminster Drive - Gate 3
Green Bay, WI 54302

Fabric Disclaimer

Fabric will be applied as swatched by the fabric manufacturer. Fabric that is required to be applied differently than is swatched will need a Modified Product Request written specifying the direction the fabric is to be applied.

Design

Designed by Giancarlo Piretti and manufactured in the USA by Krueger International, Inc. under license from Pro-Cord S.p.A

KI Color Match Program

KI offers the additional option of color matching paint, polypropylene, or wood stain through Product Modification Requests. Contact Customer Service for details.

Whatever you imagine, whatever you require, KI's Color Match program lets you pick your color!

[Color Match Process - Poly Seating Information can be found here.](#)

Stacking Vinyl, Polyurethane, and Imitation Leather Upholstered Chairs

If stacking frequently and for long periods of time, it is recommended that upholstery other than vinyl, polyurethane or imitation leather be used to avoid impressions in the seat cushion. KI does not warrant the effects of stacking on stock or COM vinyl, polyurethane or imitation leather upholstery.

INFORMATION

Warranty

Refer to KI Terms & Conditions document or visit ki.com

Strive® Stack Seating

General Information



Strive® Stack Seating

General Information



**Armless Wallsaver
Four-Leg Chair
(SLNAU)**



**Four-Leg Wallsaver
Cantilever Arm Chair
(SLCAP)**



**Four-Leg Wallsaver
Loop Arm Chair
(SLLAU)**

Features			
Stackable	•	•	•
Poly, upholstered seat, or upholstered seat/back	•	•	•
Flex back	•	•	•
General Dimensions			
Seat width	18"	18"	18"
Seat depth	18"	18"	18"
Seat height (upholstered add 1")	17-1/2"	17-1/2"	17-1/2"
Overall Dimensions			
Width	20-3/4"	25"	25"
Depth	22-3/4"	22-3/4"	22-3/4"
Height	33"	33"	33"
Arms to floor		26-1/4"	26-1/4"
Stacking on Floor			
Width	20-3/4"	25"	25"
Depth	28-1/2"	28-1/2"	28-1/2"
Quantity/height	4 Chairs/39" High	4 Chairs/39" High	4 Chairs/39" High



**Four-Leg Armless Cafe Stool -
24" or 30" Seat Height
(SLSNAU)**



**Four-Leg Loop Arm Cafe Stool -
24" or 30" Seat Height
(SLSLAP)**



**Four-Leg Cantilever Arm Cafe Stool -
24" or 30" Seat Height
(SLSCAUB)**



**Transport Dolly
(SCDA.BL)**

Features				
Stackable	•	•	•	
Poly, upholstered seat, or upholstered seat/back	•	•	•	
Flex back	•	•	•	
General Dimensions				
Seat width	18"	18"	18"	
Seat depth	18"	18"	18"	
Seat height (upholstered add 1")	24" / 30"	24" / 30"	24" / 30"	
Overall Dimensions				
Width	25"	25"	25"	24"
Depth	23-1/2" / 25"	23-1/2" / 25"	23-1/2" / 25"	29"
Height	39-1/4" / 45-1/4"	39-1/4" / 45-1/4"	39-1/4" / 45-1/4"	16-1/2"
Arms to floor	32-1/2" / 38-1/2"	32-1/2" / 38-1/2"	32-1/2" / 38-1/2"	
Stacking on Floor				
Width	25-7/8"	25-7/8"	25-7/8"	
Depth	28"	28"	28"	
Quantity/height	4 Chairs/48" or 54" High	4 Chairs/48" or 54" High	4 Chairs/48" or 54" High	

INFORMATION

C.O.M. Testing and Production Requirements

Not all materials are suitable for upholstering this product. A 1 yd. x 54" sample must be submitted and approved prior to acceptance of an order. If the fabric is directional in pattern or weave, the direction must be indicated on the submitted sample, and additional yardage may be requested. Test samples must be sent to:

KI
Attn: C.O.M. Specialist
1687 Westminster Drive - Gate 3
Green Bay, WI 54302

Fabric Disclaimer

Fabric will be applied as swatched by the fabric manufacturer. Fabric that is required to be applied differently than is swatched will need a Modified Product Request written specifying the direction the fabric is to be applied.

Design

Designed by Giancarlo Piretti and manufactured in the USA by Krueger International, Inc. under license from Pro-Cord S.p.A

KI Color Match Program

KI offers the additional option of color matching paint, polypropylene, or wood stain through Product Modification Requests. Contact Customer Service for details.

Whatever you imagine, whatever you require, KI's Color Match program lets you pick your color!

[Color Match Process - Poly Seating Information can be found here.](#)

Stacking Vinyl, Polyurethane, and Imitation Leather Upholstered Chairs

If stacking frequently and for long periods of time, it is recommended that upholstery other than vinyl, polyurethane or imitation leather be used to avoid impressions in the seat cushion. KI does not warrant the effects of stacking on stock or COM vinyl, polyurethane or imitation leather upholstery.

INFORMATION

Warranty

Refer to KI Terms & Conditions document or visit ki.com

Strive® Stack Seating

General Information



Strive® Stack Seating

General Information



Four-Leg Tablet Arm Chair
(SLTAPRH)



Four-Leg Oversize Tablet Arm Chair
(SLOVTAURH)



Sled Base Tablet Arm Chair
(SSTAPRH)



Sled Base Oversize Tablet Arm Chair
(SLOVTAPRH)



Four-Leg ChangeUp Tablet Arm Chair
with Glides



Four-Leg ChangeUp Tablet Arm Chair
with Casters



Sled Base ChangeUp Tablet Arm Chair

Features				
Stackable				
Poly, upholstered seat, or upholstered seat/back	•	•	•	•
Flex back	•	•	•	•
General Dimensions				
Seat width	18"	18"	18"	18"
Seat depth	18"	18"	18"	18"
Seat height (upholstered add 1")	18"	18"	18"	18"
Tablet to chair back clearance	14"	14"	14"	14"
Overall Dimensions				
Width (Use Position)	24"	24"	24"	24"
Depth (Use Position)	27-3/4"	31"	27-3/4"	31"
Height	33"	33"	33-1/4"	33-1/4"
Arms to floor	28-1/2"	28-1/2"	28-1/2"	28-1/2"

Features			
Stackable			
Poly, upholstered seat, or upholstered seat/back	•	•	•
Flex back			
General Dimensions			
Seat width	18"	18"	18"
Seat depth	18"	18"	18"
Seat height (upholstered add 1")	18"	18"	18"
Tablet to chair back clearance	16-1/4"	16-1/4"	16-1/4"
Overall Dimensions			
Width (Use Position)	26-1/2"	26-1/2"	26"
Depth (Use Position)	28" - 33-1/2"	28" - 33-1/2"	28" - 33-1/2"
Height	33"	33-1/4"	33-1/4"
Arms to floor	27-3/4"	27-3/4"	27-3/4"

INFORMATION

C.O.M. Testing and Production Requirements

Not all materials are suitable for upholstering this product. A 1 yd. x 54" sample must be submitted and approved prior to acceptance of an order. If the fabric is directional in pattern or weave, the direction must be indicated on the submitted sample, and additional yardage may be requested. Test samples must be sent to:

KI
Attn: C.O.M. Specialist
1687 Westminster Drive - Gate 3
Green Bay, WI 54302

Fabric Disclaimer

Fabric will be applied as swatched by the fabric manufacturer. Fabric that is required to be applied differently than is swatched will need a Modified Product Request written specifying the direction the fabric is to be applied.

Design

Designed by Giancarlo Piretti and manufactured in the USA by Krueger International, Inc. under license from Pro-Cord S.p.A

KI Color Match Program

KI offers the additional option of color matching paint, polypropylene, or wood stain through Product Modification Requests. Contact Customer Service for details.

Whatever you imagine, whatever you require, KI's Color Match program lets you pick your color!

[Color Match Process - Poly Seating Information can be found here.](#)

Stacking Vinyl, Polyurethane, and Imitation Leather Upholstered Chairs

If stacking frequently and for long periods of time, it is recommended that upholstery other than vinyl, polyurethane or imitation leather be used to avoid impressions in the seat cushion. KI does not warrant the effects of stacking on stock or COM vinyl, polyurethane or imitation leather upholstery.

INFORMATION

Warranty

Refer to KI Terms & Conditions document or visit ki.com



TECHNICAL SPECIFICATIONS

Backrest

Injection-molded polypropylene with integral steel cantilever springs. The combination of the slotted polypropylene back and the spring steel provides a supportive flexing back. Springs are nominal 4.5 mm diameter chrome silicon valve spring wire.

Seat and Shroud

Injection-molded polypropylene.

Optional Upholstered Seat

Molded urethane foam is attached to an injection-molded polypropylene seat board, then upholstered using a draw-string process. The assembled seat pad is attached to the seat by means of hidden fasteners. Note: upholstered seat is required with translucent poly backs.

Optional Upholstered Back

A 1/2" thick urethane foam is attached to an injection-molded polypropylene back board, then upholstered using a draw-string process. The assembled back pad is attached to the back by means of fasteners which are exposed and are color matched to the polypropylene.

Frames

Legs are 7/8" O.D. by 13-gauge tubular steel. Cross members are 1" O.D. by 14-gauge tubular steel and 7/16" diameter solid steel. All joints are welded. Frames are available in 4-leg or sled base configurations. Standard 4-leg rear legs angle 14° from vertical. Wallsaver rear legs angle 23° from vertical.

Frame Finishes

Frames are finished in either baked-on electrostatically-applied 30-degree gloss epoxy powder-coat paint, or bright nickel-chrome plating.

Arms

Optional cantilever arms or loop arms are available. When equipped with arms, the supporting structure is a continuation of the rear leg finished to match the frame color. The armcaps are injection-molded glass filled polypropylene matching the frame finish (when frame finish is Chrome, hammertones, or Starlight Silver metallic, armcaps match the seat and back color; when back is Diamond translucent, armcaps are Light Tone; when back is Pewter translucent, armcaps are Flannel; when back is Bronze translucent, armcaps are Chocolate). The armcaps are attached to the steel structure by means of screws.

Glides

Upper and lower ends of leg tubes are capped with polypropylene end caps matching leg color (chrome frames and hammertone frames match the seat and back color). Three optional glide types are available for leg chairs: swivel poly/nylon, swivel steel and swivel felt glides. The swivel function allows the bottom of the glide to correctly match un-even floor conditions, resulting in less wear. Poly/nylon and felt glides are interchangeable and have easy-on/easy-off replaceable glide caps, which makes field replacement easy and efficient. Swivel poly glides are available in Stone color only. Optional glides for the sled base are co-extruded to provide a softer (non-skid) surface to protect the floor, but do not glide. Sled base chairs are also available with black nylon (plastic) glides and stainless steel glides.

Casters

4-leg chairs may be ordered with carpet casters instead of glides (does not apply to café stools). Casters are double-wheel (60 mm) high-impact thermoplastic and are available in black only.

Tablet Arm

Tablet support loop is a continuation of the rear leg and is available in left- or right-handed models. A formed steel hinge is welded to the top of the support structure, and secured with screws to the underside of the writing surface. Writing surface is 9 1/2" x 20 3/4" x 12 1/2" plywood core of 5/8" thick, 11-ply hardwood, surfaced with .030" high-pressure laminate top and plain backer undersurface. Edges are lacquered and sealed.

4-Leg Café Stool

4-leg models on glides are available in 24" and 30" seat heights. Stool-height units are equipped with a reinforcing foot ring made of a 1/2" diameter wire ring, which is open in the back to allow stacking of armless and cantilever arm stools.

Transport Dolly

Frame construction is welded tubular steel with a black powder-coated finish and 5" wheels (two swivel and two fixed). The dolly fits 4-leg or sled base chairs and has a capacity of fifteen poly chairs or eight upholstered chairs.

ChangeUp™ Tablet Arm

ChangeUp tablet support is integral to the chair frame and consists of a 7/8" diameter solid steel rod welded to the front and rear support tubes. A three-piece molded plastic armrest is included and attached to the chair frame using a #10 x 2 1/2" Phillips pan head tapping screw.

The tablet mechanism consists a die-cast aluminum housing, upper and lower plastic bearings, and 11-gauge steel clamp and tablet board support plates. The tablet mechanism is clamped onto the chair frame over two plastic bushing halves and a 5/16" diameter by 1 3/4" hardened steel pin with a die-cast aluminum cap secured with two 1/4-20 x 3/4" button socket head cap screws. The pin creates a solid 90° up/down pivot stop and the bushings provide a smooth, quiet operation. In the use position, the tablet mechanism rotates outward from the chair back an additional 20° and permits approximately 3 1/2" of adjustment for ingress/egress without stowing the tablet.

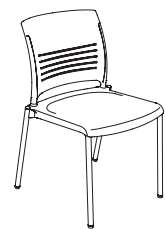
The tablet worksurface is 21" wide by 13 1/2" deep (235 square inches) is secured to the tablet board support plate with twelve #12 x 5/8" Phillips flat head tapping screws. The tablet board is made of 18 mm Baltic Birch plywood with .040" high-pressure laminate top surface and .02" thick phenolic backer surface for an overall board thickness of approximately 3/4". Edges are lacquered with a clear finish and sealed. The factory installed tablet assembly is not field installable and may not be removed.

Compliance

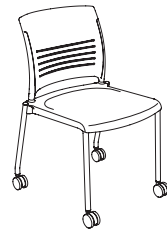
Support frame, mechanism and worksurface passes KI's internal testing for 250-pound weight capacity.

STATEMENT OF LINE

All models are available in polypropylene seat/backrest, upholstered seat/ polypropylene backrest, or upholstered seat/backrest.



SLNAP



SLNAPC



SLCAP



SLCAPC



SLLAP



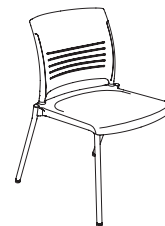
SLLAPC



SLTAPRH



SLOVTAPRH



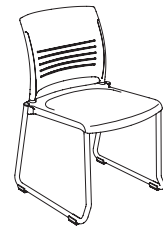
SLNAPWS



SLCAPWS



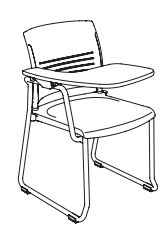
SLLAPWS



SSNAP



SSCAP



SSTAPRH



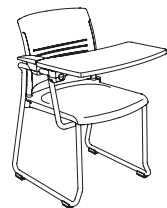
SSOVTAPRH



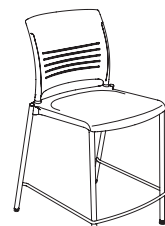
SLCUTAPRH



SLCUTAPCRH



SSCUTAPRH



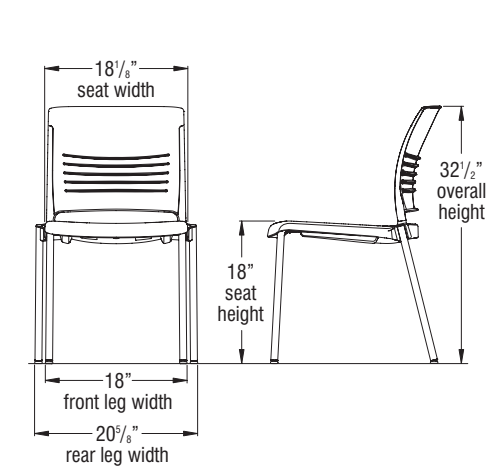
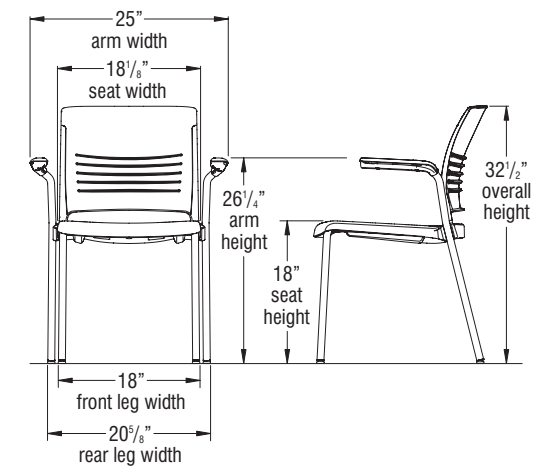
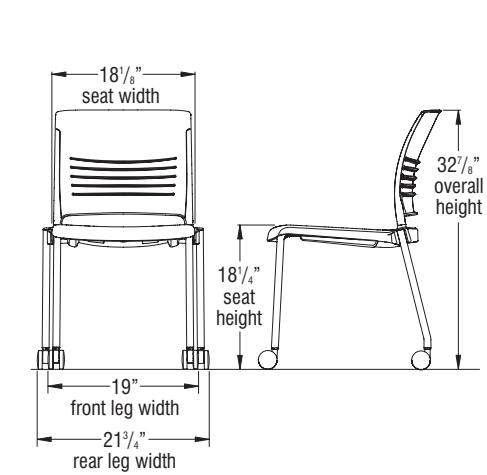
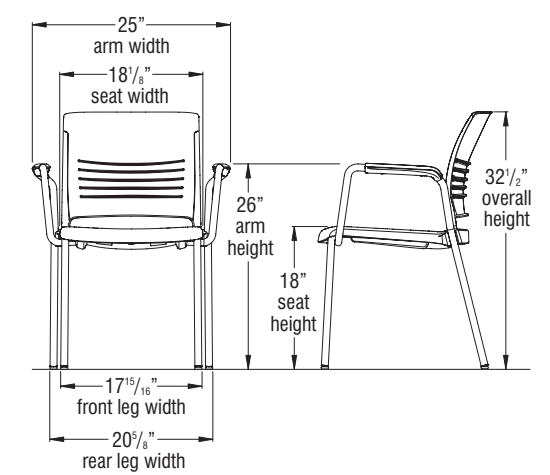
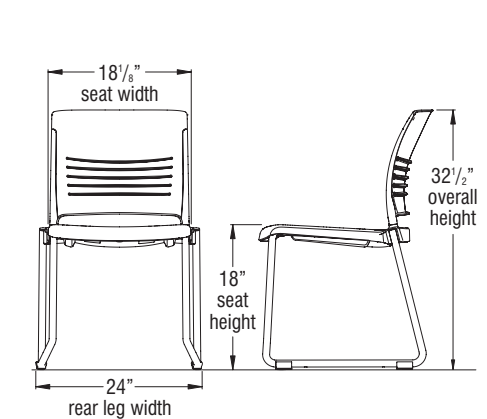
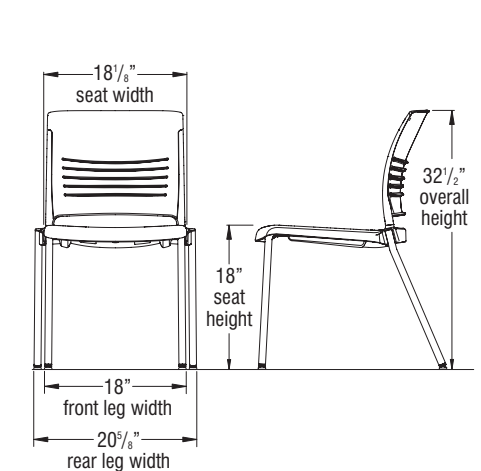
SLSNAP



SLSCAP

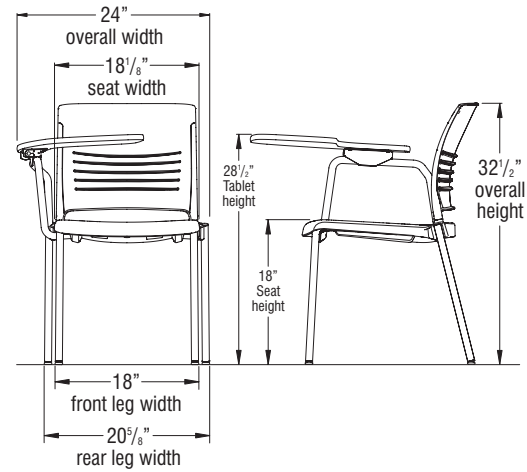


SLSLAP

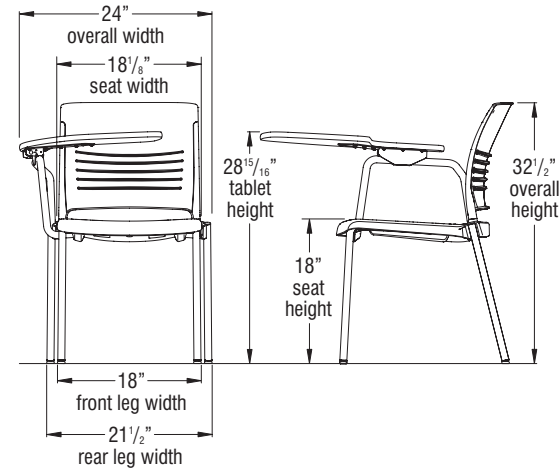
DIMENSIONS
Strive Armless 4-Leg Chair

Strive 4-Leg Cantilever Armchair

Strive Armless 4-Leg Chair with Casters

Strive 4-Leg Loop Armchair

Strive Armless Sled Base Chair

Strive Armless Sled Base Chair




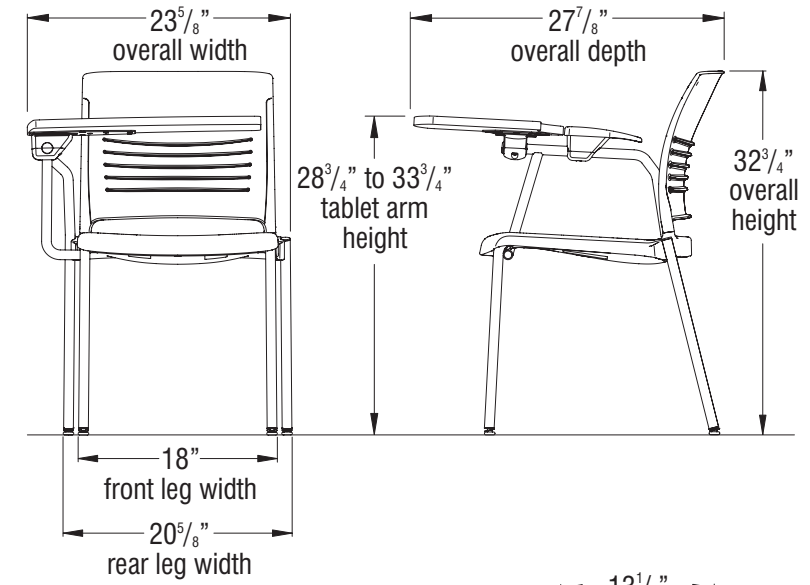
Strive 4-Leg Tablet Armchair



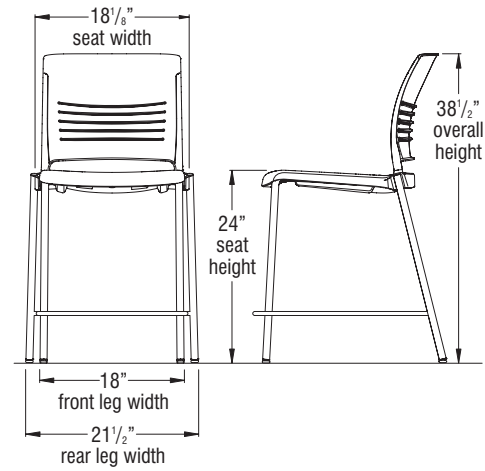
Strive 4-Leg Oversized Tablet Armchair



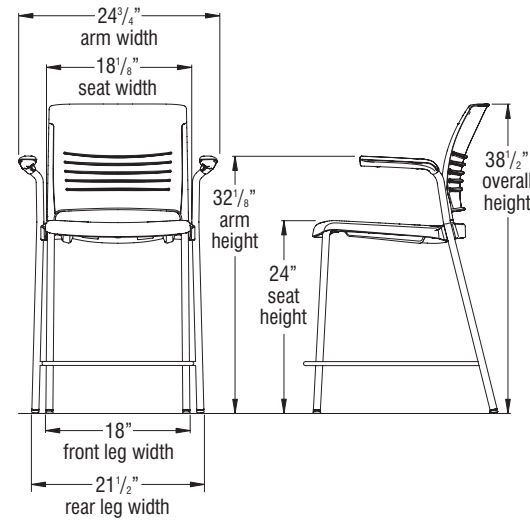
Strive 4-Leg ChangeUp Tablet Armchair



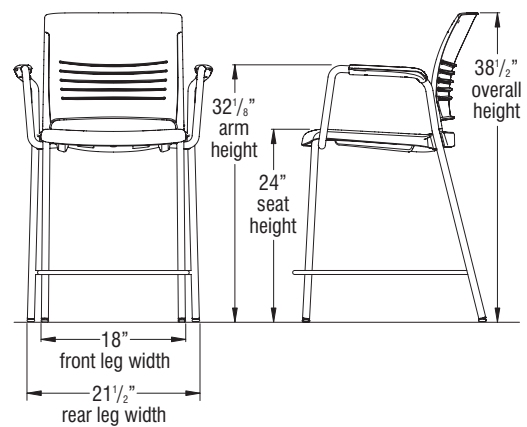
Strive Armless 4-Leg Café Stool



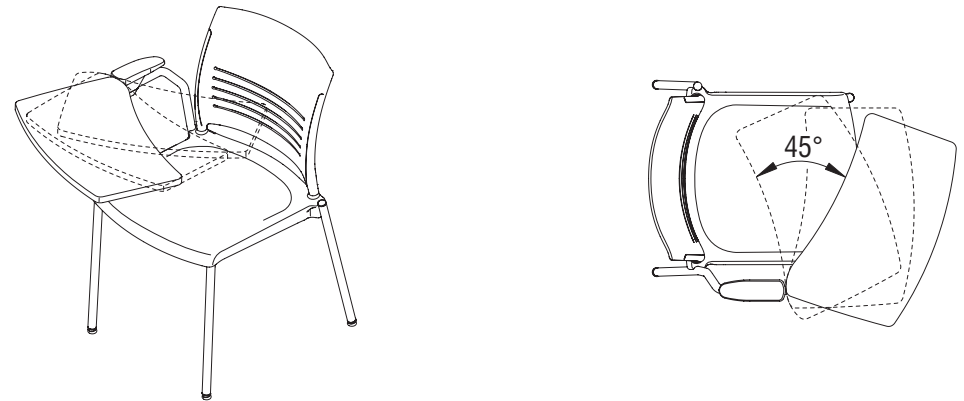
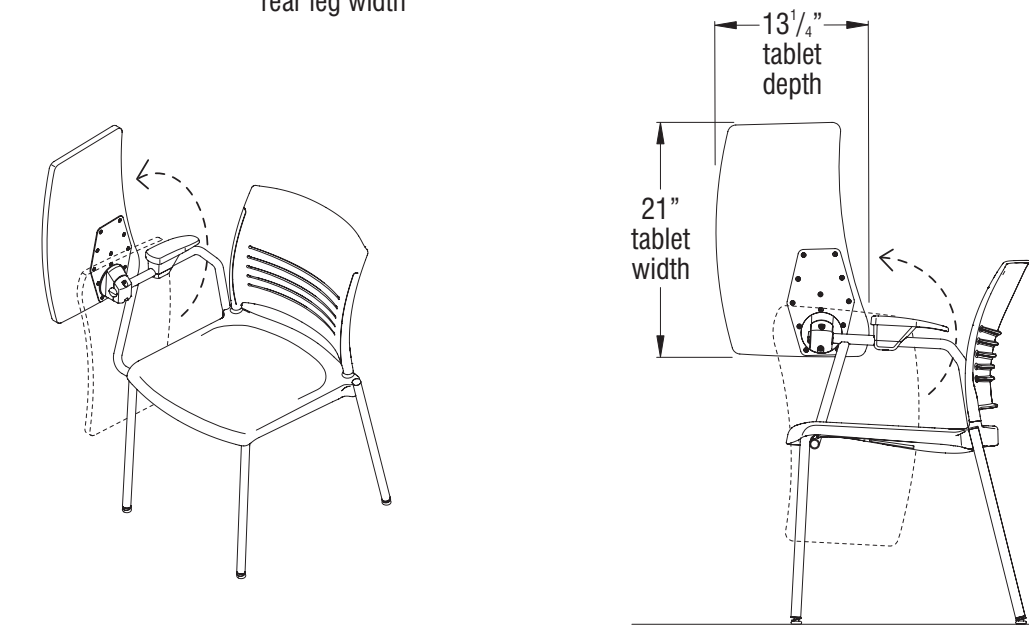
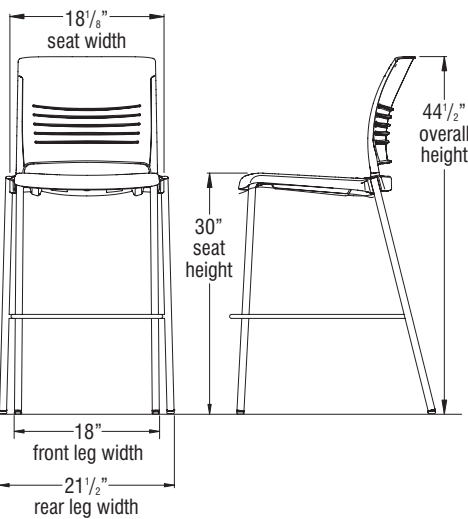
Strive 4-Leg Cantilever Arm Café Stool



Strive 4-Leg Arm Café Stool



Strive Armless 4-Leg Café Stool



**Frame Color**

Black	BL	Nemo	PNE
Blue Grey	GR	Nordic	PND
Bronze Metallic	ZM	Pewter Translucent	PPT
Cayenne	CY	Poppy Red	PPR
Champagne Metallic	CM	Purple Haze	PPH
Chrome	CH	Rainforest	PRQ
Cool Grey	CG	Raw Jasper	PRJ
Cottonwood	CO	Rubber Ducky	PRK
Earthen Clay	EY	Sand	PSA
Espresso Metallic	EX	Sky Blue	PSK
Everglade Shade	EV	Surf's Up	PSP
Flannel	FN	Tarragon	PTQ
Glitz Metallic	GZ	Twilight Shadow	PTI
Hazy Jade	HJ	Ultra Blue	PUB
Honey Bee	HY	Warm Grey	PWG
Light Tone	LG	Zesty Lime	PZL
Mardi Gras	MG		
Misty Brown	MY		
Nemo	NE		
Nordic	ND		
Poppy Red	PR		
Purple Haze	PH		
Rainforest	RQ		
Raw Jasper	RJ		
Rubber Ducky	RK		
Sand	SA		
Sky Blue	SK		
Starlight Silver Metallic	SX		
Surf's Up	SP		
Tarragon	TQ		
Twilight Shadow	TI		
Ultra Blue	UB		
Warm Grey	WG		
Zesty Lime	ZL		

Diamond Translucent and Pewter Translucent are only available on upholstered seat models.

Tablet Arm Color - Laminate

Beigewood	LBZ
Belair	LBO
Biltmore Cherry	LBT
Black	LBK
Brighton Walnut	LBW
Castle Oak	LCO
Cherry Storm	LCX
Classic Linen	LCI
Cocobala	LCC
Crisp Linen	LRI
Designer White	LDR
Dove Grey	LDG
Florence Walnut	LFC
Friston Ash	LFH
Frosty White	LFW
Graphite Nebula	LGN
Grey	LGE
High Rise	LHE
Hollyberry	LHY
Island	LID
Italian Silver Ash	LIT
Kensington Maple	LKM
Lapis Blue	LLB
Monticello Maple	LMT
North Sea	LNA
Ocean	LON
Pinnacle Walnut	LPW
River Cherry	LRV
Shadow Zephyr	LSR
Sterling Ash	LAZ
Titanium Evolv	LTV
White Nebula	LWL
White Sand	LWN
Windsor Mahogany	LWY

Armcaps and glides match the frame color with the following exceptions:

-When frame color is chrome or metallic, the armcaps and glides will match poly color.

-When back is diamond translucent, armcaps are light tone.

-When back is pewter translucent, armcaps are flannel.

Casters for four-leg chairs are always black.

Seat and Back Color - Polypropylene

Black	PBL
Blue Grey	PGR
Cayenne	PCY
Cool Grey	PCG
Cottonwood	PCO
Diamond Translucent	PDT
Earthen Clay	PEY
Everglade Shade	PEV
Flannel	PFN
Hazy Jade	PHJ
Honey Bee	PHY
Light Tone	PLG
Mardi Gras	PMG
Misty Brown	PMY



Finish Cards

View color swatches for items listed within this document.

Paints**Plastics/Poly****Wood/Veneer****Laminates****Molded Edges****Edge Styles****Hard Plastics****Glass**

Certain options referenced may not be available on GSA Schedule.



MODEL	Features	MODEL NUMBER						Approx. Packaged Weight	Delivered Pricing Unupholstered	Delivered Pricing Fabric Grade 1 & C.O.M.	Delivered Pricing Fabric Grade 2	Delivered Pricing Fabric Grade 3	Delivered Pricing Vinyl Group 2V	Delivered Pricing Pallas Fabric Group P0	Delivered Pricing Pallas Fabric Group P1	Delivered Pricing Pallas Fabric Group P2	Delivered Pricing Pallas Fabric Group P3	Delivered Pricing Pallas Fabric Group P4
		Basic Model	Frame Color	Seat & Back Color	Caster Type	Glide Option	Upholstery Color											
 SLP SLU SLUB Four-Leg Armless Chair • Flex back • Stacking	Polypropylene	SLNAP	<input type="checkbox"/>	<input type="checkbox"/>		<input type="checkbox"/>		20.00#	\$ 268									
	Upholstered Seat	SLNAU	<input type="checkbox"/>	<input type="checkbox"/>		<input type="checkbox"/>	<input type="checkbox"/>	23.00#	N/A	355	395	412	412	409	460	488	519	544
	Upholstered Seat/Back	SLNAUB	<input type="checkbox"/>	<input type="checkbox"/>		<input type="checkbox"/>	<input type="checkbox"/>	23.00#	N/A	429	469	485	485	484	536	564	593	617
 SLP SLU SLUB Four-Leg Armless Chair with Casters • Flex back • Stacking (Caution should be used if stacking to prevent casters from damaging chair and frame) • Stacking on dollies is NOT recommended	Polypropylene, Casters	SLNAPC	<input type="checkbox"/>	<input type="checkbox"/>	<input type="checkbox"/>			26.00#	\$ 319									
	Uph. Seat, Casters	SLNAUC	<input type="checkbox"/>	<input type="checkbox"/>	<input type="checkbox"/>	<input type="checkbox"/>	<input type="checkbox"/>	29.00#	N/A	406	445	466	466	466	515	544	572	598
	Uph. Seat/Back, Casters	SLNAUBC	<input type="checkbox"/>	<input type="checkbox"/>	<input type="checkbox"/>	<input type="checkbox"/>	<input type="checkbox"/>	29.00#	N/A	481	519	539	539	537	589	617	644	673

A **B** **C** **D** **E** **F**

HOW TO ORDER

- Indicate the following information on order form:
- Quantity of each item.
 - Model number, including options. See "How To Build a Model Number".
 - Any special service required.

Note: • The indicates that a choice is required.
 • The absence of the indicates that no choice is required.
 • Alpha-numeric characters in place of indicate that no other alternatives are available.

HOW TO BUILD A MODEL NUMBER

- A** Select basic model.
- B** Select frame color.
Refer to the **Product Color Options** page in this price list.
- C** Select poly seat and back color.
Refer to the **Product Color Options** page in this price list.
- D** Select casters.

C	- Carpet casters (black only)
S	- Hard floor casters (black only)
- E** Select glide option.

F	- Felt Glides
P	- Plastic glides
S	- Steel glides
- F** Select upholstery grade/color.
Refer to ki.com/fabrics

UPHOLSTERY INFORMATION

C.O.M. Upholstery
 C.O.M. requirement for 10 chairs or less with upholstered seat or upholstered seat and back is 3/4 yard per chair of 54" wide nondirectional fabric. For orders of 11 or more with upholstered seat and back. For complete information on ordering C.O.M. see "Ordering Customer's Own Material (C.O.M) Upholstery." section.

SPECIAL SERVICES



Special Carton Marking

With specially marked information N/C

Shipping
 Ships **assembled, FOB Green Bay, WI 54302, freight prepaid.** Freight class 125.

Specifications and prices are subject to change without prior notice.



MODEL	Features	MODEL NUMBER						Approx. Packaged Weight	Delivered Pricing Unupholstered	Delivered Pricing Fabric Grade 1 & C.O.M.	Delivered Pricing Fabric Grade 2	Delivered Pricing Fabric Grade 3	Delivered Pricing Vinyl Group 2V	Delivered Pricing Pallas Fabric Group P0	Delivered Pricing Pallas Fabric Group P1	Delivered Pricing Pallas Fabric Group P2	Delivered Pricing Pallas Fabric Group P3	Delivered Pricing Pallas Fabric Group P4
		Basic Model	Frame Color	Seat & Back Color	Caster Type	Glide Option	Upholstery Color											
 SLP SLU SLUB Four-Leg Loop Arm Chair • Flex back • Stacking	Polypropylene	SLLAP	<input type="checkbox"/>	<input type="checkbox"/>		<input type="checkbox"/>	25.00#	\$ 368										
	Upholstered Seat	SLLAU	<input type="checkbox"/>	<input type="checkbox"/>		<input type="checkbox"/>	27.00#	N/A	451	489	511	511	510	562	589	616	641	
	Upholstered Seat/Back	SLLAUB	<input type="checkbox"/>	<input type="checkbox"/>		<input type="checkbox"/>	27.00#	N/A	525	565	581	581	581	633	660	687	714	
 SLP SLU SLUB Four-Leg Loop Arm Chair with Casters • Flex back • Stacking (Caution should be used if stacking to prevent casters from damaging chair and frame) • Stacking on dollies is NOT recommended	Polypropylene, Casters	SLLAPC	<input type="checkbox"/>	<input type="checkbox"/>	<input type="checkbox"/>		30.00#	\$ 418										
	Upholstered Seat, Casters	SLLAUC	<input type="checkbox"/>	<input type="checkbox"/>	<input type="checkbox"/>		32.00#	N/A	505	546	565	565	562	611	641	674	694	
	Uph. Seat/Back, Casters	SLLAUBC	<input type="checkbox"/>	<input type="checkbox"/>	<input type="checkbox"/>	<input type="checkbox"/>	32.00#	N/A	579	618	637	637	633	685	714	744	767	
			A	B	C	D	E	F										

HOW TO ORDER

- Indicate the following information on order form:
- Quantity of each item.
 - Model number, including options. See "How To Build a Model Number".
 - Any special service required.

Note: • The indicates that a choice is required.
 • The absence of the indicates that no choice is required.
 • Alpha-numeric characters in place of indicate that no other alternatives are available.

HOW TO BUILD A MODEL NUMBER

- A** Select basic model.
- B** Select frame color.
Refer to the **Product Color Options** page in this price list.
- C** Select poly seat and back color.
Refer to the **Product Color Options** page in this price list.
- D** Select casters.

C	- Carpet casters (black only)
S	- Hard floor casters (black only)
- E** Select glide option.

F	- Felt Glides
P	- Plastic glides
S	- Steel glides
- F** Select upholstery grade/color.
Refer to ki.com/fabrics

UPHOLSTERY INFORMATION

C.O.M. Upholstery
 C.O.M. requirement for 10 chairs or less with upholstered seat or upholstered seat and back is 3/4 yard per chair of 54" wide nondirectional fabric. For orders of 11 or more with upholstered seat and back. For complete information on ordering C.O.M. see "Ordering Customer's Own Material (C.O.M) Upholstery." section.



SPECIAL SERVICES

Special Carton Marking
 With specially marked information N/C

Shipping
 Ships **assembled, FOB Green Bay, WI 54302, freight prepaid.** Freight class 125.

Specifications and prices are subject to change without prior notice.



MODEL	Features	MODEL NUMBER						Approx. Packaged Weight	Delivered Pricing Unupholstered	Delivered Pricing Fabric Grade 1 & C.O.M.	Delivered Pricing Fabric Grade 2	Delivered Pricing Fabric Grade 3	Delivered Pricing Vinyl Group 2V	Delivered Pricing Pallas Fabric Group P0	Delivered Pricing Pallas Fabric Group P1	Delivered Pricing Pallas Fabric Group P2	Delivered Pricing Pallas Fabric Group P3	Delivered Pricing Pallas Fabric Group P4
		Basic Model	Frame Color	Seat & Back Color	Glide Option	Tablet Arm Color	Upholstery Color											
 <p>Four-Leg Tablet Arm Chair • Flex back • NONSTACKING</p>	Polypropylene, Left Hand	SLTAPLH	<input type="checkbox"/>	<input type="checkbox"/>	<input type="checkbox"/>	<input type="checkbox"/>	33.00#	\$ 519										
	Polypropylene, Right Hand	SLTAPRH	<input type="checkbox"/>	<input type="checkbox"/>	<input type="checkbox"/>	<input type="checkbox"/>	33.00#	519										
	Uph. Seat, Left Hand	SLTAULH	<input type="checkbox"/>	<input type="checkbox"/>	<input type="checkbox"/>	<input type="checkbox"/>	35.00#	N/A	605	643	660	660	659	713	740	767	793	
	Uph. Seat, Right Hand	SLTAURH	<input type="checkbox"/>	<input type="checkbox"/>	<input type="checkbox"/>	<input type="checkbox"/>	35.00#	N/A	605	643	660	660	659	713	740	767	793	
	Uph. Seat/Back, Left Hand	SLTAUBLH	<input type="checkbox"/>	<input type="checkbox"/>	<input type="checkbox"/>	<input type="checkbox"/>	35.00#	N/A	679	716	735	735	733	785	813	841	867	
	Uph. Seat/Back, Right Hand	SLTAUBRH	<input type="checkbox"/>	<input type="checkbox"/>	<input type="checkbox"/>	<input type="checkbox"/>	35.00#	N/A	679	716	735	735	733	785	813	841	867	
	SLP SLU SLUB																	
 <p>Four-Leg Oversize Tablet Arm Chair • Oversized tablet • Flex back • NONSTACKING</p>	Polypropylene, Left Hand	SLOVTAPLH	<input type="checkbox"/>	<input type="checkbox"/>	<input type="checkbox"/>	<input type="checkbox"/>	33.00#	\$ 605										
	Polypropylene, Right Hand	SLOVTAPRH	<input type="checkbox"/>	<input type="checkbox"/>	<input type="checkbox"/>	<input type="checkbox"/>	33.00#	605										
	Uph. Seat, Left Hand	SLOVTAULH	<input type="checkbox"/>	<input type="checkbox"/>	<input type="checkbox"/>	<input type="checkbox"/>	35.00#	N/A	688	726	743	743	742	796	823	851	876	
	Uph. Seat, Right Hand	SLOVTaurH	<input type="checkbox"/>	<input type="checkbox"/>	<input type="checkbox"/>	<input type="checkbox"/>	35.00#	N/A	688	726	743	743	742	796	823	851	876	
	Uph. Seat/Back, Left Hand	SLOVTAUBLH	<input type="checkbox"/>	<input type="checkbox"/>	<input type="checkbox"/>	<input type="checkbox"/>	35.00#	N/A	761	799	816	816	815	869	896	924	949	
	Uph. Seat/Back, Right Hand	SLOVTAUBRH	<input type="checkbox"/>	<input type="checkbox"/>	<input type="checkbox"/>	<input type="checkbox"/>	35.00#	N/A	761	799	816	816	815	869	896	924	949	
	SLP SLU SLUB																	

A **B** **C** **D** **E** **F**

HOW TO ORDER

- Indicate the following information on order form:
- Quantity of each item.
 - Model number, including options. See "How To Build a Model Number".
 - Any special service required.

Note: • The indicates that a choice is required.
• The absence of the indicates that no choice is required.
• Alpha-numeric characters in place of indicate that no other alternatives are available.

HOW TO BUILD A MODEL NUMBER

- A** Select basic model.
- B** Select frame color.
Refer to the **Product Color Options** page in this price list.
- C** Select poly seat and back color.
Refer to the **Product Color Options** page in this price list.
- D** Select glide option.

F	- Felt Glides
P	- Plastic glides
S	- Steel glides
- E** Select tablet arm color.
Refer to the **Product Color Options** page in this price list.
- F** Select upholstery grade/color.
Refer to ki.com/fabrics

UPHOLSTERY INFORMATION

C.O.M. Upholstery
C.O.M. requirement for 10 chairs or less with upholstered seat or upholstered seat and back is 3/4 yard per chair of 54" wide nondirectional fabric. For orders of 11 or more with upholstered seat and back. For complete information on ordering C.O.M. see "Ordering Customer's Own Material (C.O.M) Upholstery." section.

SPECIAL SERVICES


Special Carton Marking

With specially marked information N/C

Shipping
Ships **assembled, FOB Green Bay, WI 54302, freight prepaid.** Freight class 125.

Specifications and prices are subject to change without prior notice.



MODEL	Features	MODEL NUMBER						Approx. Packaged Weight	Delivered Pricing Unupholstered	Delivered Pricing Fabric Grade 1 & C.O.M.	Delivered Pricing Fabric Grade 2	Delivered Pricing Fabric Grade 3	Delivered Pricing Vinyl Group 2V	Delivered Pricing Pallas Fabric Group P0	Delivered Pricing Pallas Fabric Group P1	Delivered Pricing Pallas Fabric Group P2	Delivered Pricing Pallas Fabric Group P3
		Basic Model	Frame Color	Seat & Back Color	Glide Option	Tablet Arm Color	Upholstery Color										
 <p>Four-Leg ChangeUp Tablet Arm Chair with Glides</p> <ul style="list-style-type: none"> Flexing Back Large work surface (21"W x 13.3"D) Work surface flips and folds Work surface has 20 degrees of ingress/egress movement Work surface rated to 250 pounds Chair rated to 400 pounds 	Polypropylene, Left Hand	SLCUTAPLH	<input type="checkbox"/>	<input type="checkbox"/>	<input type="checkbox"/>	<input type="checkbox"/>	34.00#	\$ 764									
	Polypropylene, Right Hand	SLCUTAPRH	<input type="checkbox"/>	<input type="checkbox"/>	<input type="checkbox"/>	<input type="checkbox"/>	34.00#	764									
	Upholstered Seat, Left Hand	SLCUTAULH	<input type="checkbox"/>	<input type="checkbox"/>	<input type="checkbox"/>	<input type="checkbox"/>	36.50#	N/A	851	889	908	908	903	995	984	1013	
	Upholstered Seat, Right Hand	SLCUTAURH	<input type="checkbox"/>	<input type="checkbox"/>	<input type="checkbox"/>	<input type="checkbox"/>	36.50#	N/A	851	889	908	908	903	995	984	1013	
	Upholstered Seat/Back, Left Hand	SLCUTAUBLH	<input type="checkbox"/>	<input type="checkbox"/>	<input type="checkbox"/>	<input type="checkbox"/>	37.70#	N/A	925	965	981	981	980	1031	1059	1088	
	Upholstered Seat/Back, Right Hand	SLCUTAUBRH	<input type="checkbox"/>	<input type="checkbox"/>	<input type="checkbox"/>	<input type="checkbox"/>	37.70#	N/A	925	965	981	981	980	1031	1059	1088	

SLP
SLU
SLUB

A **B** **C** **D** **E** **F**

HOW TO ORDER

- Indicate the following information on order form:
- Quantity of each item.
 - Model number, including options. See "How To Build a Model Number".
 - Any special service required.

Note:

- The indicates that a choice is required.
- The absence of the indicates that no choice is required.
- Alpha-numeric characters in place of indicate that no other alternatives are available.

HOW TO BUILD A MODEL NUMBER

- A** Select basic model.
- B** Select frame color. Refer to the **Product Color Options** page in this price list.
- C** Select poly seat and back color. Refer to the **Product Color Options** page in this price list.
- D** Select glide option.

F	- Felt Glides
P	- Plastic glides
S	- Steel glides
- E** Select tablet arm color. Refer to the **Product Color Options** page in this price list.
- F** Select upholstery grade/color. Refer to ki.com/fabrics

UPHOLSTERY INFORMATION

C.O.M. Upholstery
C.O.M. requirement for 10 chairs or less with upholstered seat or upholstered seat and back is 3/4 yard per chair of 54" wide nondirectional fabric. For orders of 11 or more with upholstered seat and back. For complete information on ordering C.O.M. see "Ordering Customer's Own Material (C.O.M) Upholstery." section.


SPECIAL SERVICES

Special Carton Marking
With specially marked information N/C

Shipping
Ships **assembled, FOB Green Bay, WI 54302, freight prepaid.** Freight class 125.

Specifications and prices are subject to change without prior notice.



MODEL	Features	MODEL NUMBER						Approx. Packaged Weight	Delivered Pricing Unupholstered	Delivered Pricing Fabric Grade 1 & C.O.M.	Delivered Pricing Fabric Grade 2	Delivered Pricing Fabric Grade 3	Delivered Pricing Vinyl Group 2V	Delivered Pricing Pallas Fabric Group P0	Delivered Pricing Pallas Fabric Group P1	Delivered Pricing Pallas Fabric Group P2	Delivered Pricing Pallas Fabric Group P3
		Basic Model	Frame Color	Seat & Back Color	Caster Type	Tablet Arm Color	Upholstery Color										
 <p>Four-Leg ChangeUp Tablet Arm Chair with Casters</p> <ul style="list-style-type: none"> Flexing Back Large work surface (21"W x 13.3"D) Work surface flips and folds Work surface has 20 degrees of ingress/egress movement Work surface rated to 250 pounds Chair rated to 400 pounds 	Polypropylene, Left Hand	SLCUTAPCLH	<input type="checkbox"/>	<input type="checkbox"/>	<input type="checkbox"/>	<input type="checkbox"/>	33.00#	\$ 815									
	Polypropylene, Right Hand	SLCUTAPCRH	<input type="checkbox"/>	<input type="checkbox"/>	<input type="checkbox"/>	<input type="checkbox"/>	33.00#	815									
	Upholstered Seat, Left Hand	SLCUTAULH	<input type="checkbox"/>	<input type="checkbox"/>	<input type="checkbox"/>	<input type="checkbox"/>	35.50#	N/A	901	941	961	961	961	1011	1040	1068	
	Upholstered Seat, Right Hand	SLCUTAURH	<input type="checkbox"/>	<input type="checkbox"/>	<input type="checkbox"/>	<input type="checkbox"/>	35.50#	N/A	901	941	961	961	961	1011	1040	1068	
	Upholstered Seat/Back, Left Hand	SLCUTAUBLH	<input type="checkbox"/>	<input type="checkbox"/>	<input type="checkbox"/>	<input type="checkbox"/>	36.70#	N/A	975	1013	1034	1034	1032	1085	1112	1140	
	Upholstered Seat/Back, Right Hand	SLCUTAUBRH	<input type="checkbox"/>	<input type="checkbox"/>	<input type="checkbox"/>	<input type="checkbox"/>	36.70#	N/A	975	1013	1034	1034	1032	1085	1112	1140	

SLP
SLU
SLUB

A **B** **C** **D** **E** **F**

HOW TO ORDER

- Indicate the following information on order form:
- Quantity of each item.
 - Model number, including options. See "How To Build a Model Number".
 - Any special service required.

Note:

- The indicates that a choice is required.
- The absence of the indicates that no choice is required.
- Alpha-numeric characters in place of indicate that no other alternatives are available.

HOW TO BUILD A MODEL NUMBER

- A** Select basic model.
- B** Select frame color. Refer to the **Product Color Options** page in this price list.
- C** Select poly seat and back color. Refer to the **Product Color Options** page in this price list.
- D** Select casters.

S	- Hard floor casters (black only)
C	- Carpet casters
- E** Select tablet arm color. Refer to the **Product Color Options** page in this price list.
- F** Select upholstery grade/color. Refer to ki.com/fabrics

UPHOLSTERY INFORMATION

C.O.M. Upholstery
C.O.M. requirement for 10 chairs or less with upholstered seat or upholstered seat and back is 3/4 yard per chair of 54" wide nondirectional fabric. For orders of 11 or more with upholstered seat and back. For complete information on ordering C.O.M. see "Ordering Customer's Own Material (C.O.M) Upholstery." section.




SPECIAL SERVICES

Special Carton Marking
With specially marked information N/C

Shipping
Ships **assembled, FOB Green Bay, WI 54302, freight prepaid.** Freight class 125.

Specifications and prices are subject to change without prior notice.



MODEL	Features	MODEL NUMBER					Approx. Packaged Weight	Delivered Pricing	Delivered Pricing Fabric Grade 1 & C.O.M.	Delivered Pricing Fabric Grade 2	Delivered Pricing Fabric Grade 3	Delivered Pricing Vinyl Group 2V	Delivered Pricing Pallas Fabric Group P0	Delivered Pricing Pallas Fabric Group P1	Delivered Pricing Pallas Fabric Group P2	Delivered Pricing Pallas Fabric Group P3	Delivered Pricing Pallas Fabric Group P4
		Basic Model	Frame Color	Seat & Back Color	Glide Option	Upholstery Color											
 SLP SLU SLUB	Four-Leg Wallsaver Armless Chair • Flex back • Stacking • Wallsaver rear legs touch base of wall preventing chair back from contacting wall surface	Polypropylene	SLNAPWS	<input type="checkbox"/>	<input type="checkbox"/>	S	20.00#	\$ 328									
		Upholstered Seat	SLNAUWS	<input type="checkbox"/>	<input type="checkbox"/>	S	23.00#	N/A	412	448	471	471	468	519	548	577	602
		Upholstered Seat/Back	SLNAUBWS	<input type="checkbox"/>	<input type="checkbox"/>	S	23.00#	N/A	485	524	543	543	541	593	619	649	676
 SLP SLU SLUB	Four-Leg Wallsaver Cantilever Arm Chair • Flex back • Stacking • Wallsaver rear legs touch base of wall preventing chair back from contacting wall surface	Polypropylene	SLCAPWS	<input type="checkbox"/>	<input type="checkbox"/>	S	23.00#	\$ 406									
		Upholstered Seat	SLCAUWS	<input type="checkbox"/>	<input type="checkbox"/>	S	26.00#	N/A	491	532	550	550	548	600	630	657	682
		Upholstered Seat/Back	SLCAUBWS	<input type="checkbox"/>	<input type="checkbox"/>	S	26.00#	N/A	566	605	623	623	623	675	701	731	756
 SLP SLU SLUB	Four-Leg Wallsaver Loop Arm Chair • Flex back • Stacking • Wallsaver rear legs touch base of wall preventing chair back from contacting wall surface	Polypropylene	SLLAPWS	<input type="checkbox"/>	<input type="checkbox"/>	S	25.00#	\$ 427									
		Upholstered Seat	SLLAUWS	<input type="checkbox"/>	<input type="checkbox"/>	S	27.00#	N/A	512	550	567	567	566	617	646	676	697
		Upholstered Seat/Back	SLLAUBWS	<input type="checkbox"/>	<input type="checkbox"/>	S	27.00#	N/A	583	623	640	640	638	688	719	746	772

A **B** **C** **D** **E**

HOW TO ORDER

- Indicate the following information on order form:
- Quantity of each item.
 - Model number, including options. See "How To Build a Model Number".
 - Any special service required.

Note: • The indicates that a choice is required.
 • The absence of the indicates that no choice is required.
 • Alpha-numeric characters in place of indicate that no other alternatives are available.

HOW TO BUILD A MODEL NUMBER

- A** Select basic model.
- B** Select frame color.
Refer to the **Product Color Options** page in this price list.
- C** Select seat and back color.
Refer to the **Product Color Options** page in this price list.
- D** Select glide option.
S - Steel glides
- E** Select upholstery grade/color.
Refer to ki.com/fabrics

UPHOLSTERY INFORMATION

C.O.M. Upholstery
 C.O.M. requirement for 10 chairs or less with upholstered seat or upholstered seat and back is 3/4 yard per chair of 54" wide nondirectional fabric. For orders of 11 or more with upholstered seat and back and for complete information on ordering C.O.M. see "Ordering C.O.M., C.O.V. and C.O.L." section.

SPECIAL SERVICES



Special Carton Marking

With specially marked information N/C

Shipping
 Ships **assembled, FOB Green Bay, WI 54302, freight prepaid.** Freight class 125.

Specifications and prices are subject to change without prior notice.



MODEL	Features	MODEL NUMBER					Approx. Packaged Weight	Delivered Pricing Unupholstered	Delivered Pricing Fabric Grade 1 & C.O.M.	Delivered Pricing Fabric Grade 2	Delivered Pricing Fabric Grade 3	Delivered Pricing Vinyl Group 2V	Delivered Pricing Pallas Fabric Group P0	Delivered Pricing Pallas Fabric Group P1	Delivered Pricing Pallas Fabric Group P2	Delivered Pricing Pallas Fabric Group P3	Delivered Pricing Pallas Fabric Group P4
		Basic Model	Frame Color	Seat & Back Color	Glide Option	Upholstery Color											
 Sled Base Armless Chair • Flex back • Stacking	Polypropylene	SSNAP	<input type="checkbox"/>	<input type="checkbox"/>	<input type="checkbox"/>	22.00#	\$ 305										
	Upholstered Seat	SSNAU	<input type="checkbox"/>	<input type="checkbox"/>	<input type="checkbox"/>	25.00#	N/A	391	432	445	445	445	497	525	553	579	
	Upholstered Seat/Back	SSNAUB	<input type="checkbox"/>	<input type="checkbox"/>	<input type="checkbox"/>	25.00#	N/A	465	501	519	519	519	570	599	626	651	
SSP SSU SSUB																	
 Sled Base Cantilever Arm Chair • Flex back • Stacking	Polypropylene	SSCAP	<input type="checkbox"/>	<input type="checkbox"/>	<input type="checkbox"/>	24.00#	\$ 387										
	Upholstered Seat	SSCAU	<input type="checkbox"/>	<input type="checkbox"/>	<input type="checkbox"/>	27.00#	N/A	473	511	527	527	525	577	607	636	659	
	Upholstered Seat/Back	SSCAUB	<input type="checkbox"/>	<input type="checkbox"/>	<input type="checkbox"/>	27.00#	N/A	544	581	600	600	598	649	680	707	733	
SSP SSU SSUB																	

A B C D E

HOW TO ORDER

- Indicate the following information on order form:
- Quantity of each item.
 - Model number, including options. See "How To Build a Model Number".
 - Any special service required.

Note:

- The indicates that a choice is required.
- The absence of the indicates that no choice is required.
- Alpha-numeric characters in place of indicate that no other alternatives are available.

HOW TO BUILD A MODEL NUMBER

- A** Select basic model.
- B** Select frame color. Refer to the **Product Color Options** page in this price list.
- C** Select poly seat and back color. Refer to the **Product Color Options** page in this price list.
- D** Select glide option.

GFT	- Felt glides
NG	- No glides
GBL	- Black plastic glides
NS	- Non-skid glides
GSS	- Steel glide
- E** Select upholstery grade/color. Refer to ki.com/fabrics

UPHOLSTERY INFORMATION

C.O.M. Upholstery
 C.O.M. requirement for 10 chairs or less with upholstered seat or upholstered seat and back is 3/4 yard per chair of 54" wide nondirectional fabric. For orders of 11 or more with upholstered seat and back. For complete information on ordering C.O.M. see "Ordering Customer's Own Material (C.O.M) Upholstery." section.

SPECIAL SERVICES



Special Carton Marking

With specially marked information N/C

Shipping
 Ships **assembled, FOB Green Bay, WI 54302, freight prepaid.** Freight class 125.

Specifications and prices are subject to change without prior notice.



MODEL	Features	MODEL NUMBER						Approx. Packaged Weight	Delivered Pricing Unupholstered	Delivered Pricing Fabric Grade 1 & C.O.M.	Delivered Pricing Fabric Grade 2	Delivered Pricing Fabric Grade 3	Delivered Pricing Vinyl Group 2V	Delivered Pricing Pallas Fabric Group P0	Delivered Pricing Pallas Fabric Group P1	Delivered Pricing Pallas Fabric Group P2	Delivered Pricing Pallas Fabric Group P3	Delivered Pricing Pallas Fabric Group P4
		Basic Model	Frame Color	Seat & Back Color	Glide Option	Tablet Arm Color	Upholstery Color											
 <p>Sled Base Tablet Arm Chair • Flex back • NONSTACKING</p>	Polypropylene, Left Hand	SSTAPLH	<input type="checkbox"/>	<input type="checkbox"/>	<input type="checkbox"/>	<input type="checkbox"/>	31.00#	\$ 579										
	Polypropylene, Right Hand	SSTAPRH	<input type="checkbox"/>	<input type="checkbox"/>	<input type="checkbox"/>	<input type="checkbox"/>	31.00#	579										
	Uph. Seat, Left Hand	SSTAULH	<input type="checkbox"/>	<input type="checkbox"/>	<input type="checkbox"/>	<input type="checkbox"/>	33.00#	N/A	666	704	724	724	718	772	803	828	854	
	Uph. Seat, Right Hand	SSTAURH	<input type="checkbox"/>	<input type="checkbox"/>	<input type="checkbox"/>	<input type="checkbox"/>	33.00#	N/A	666	704	724	724	718	772	803	828	854	
	Upholstered Seat/Back	SSTAUBLH	<input type="checkbox"/>	<input type="checkbox"/>	<input type="checkbox"/>	<input type="checkbox"/>	33.00#	N/A	737	776	797	797	792	844	878	900	927	
	Upholstered Seat/Back	SSTAUBRH	<input type="checkbox"/>	<input type="checkbox"/>	<input type="checkbox"/>	<input type="checkbox"/>	33.00#	N/A	737	776	797	797	792	844	878	900	927	
SSP																		
SSU																		
SSUB																		
 <p>Sled Base Oversize Tablet Arm Chair • Oversized tablet • Flex back • NONSTACKING</p>	Polypropylene, Left Hand	SSOVTAPLH	<input type="checkbox"/>	<input type="checkbox"/>	<input type="checkbox"/>	<input type="checkbox"/>	31.00#	\$ 666										
	Polypropylene, Right Hand	SSOVTAPRH	<input type="checkbox"/>	<input type="checkbox"/>	<input type="checkbox"/>	<input type="checkbox"/>	31.00#	666										
	Uph. Seat, Left Hand	SSOVTAPLH	<input type="checkbox"/>	<input type="checkbox"/>	<input type="checkbox"/>	<input type="checkbox"/>	33.00#	N/A	752	790	810	810	804	856	887	914	938	
	Uph. Seat, Right Hand	SSOVTAPRH	<input type="checkbox"/>	<input type="checkbox"/>	<input type="checkbox"/>	<input type="checkbox"/>	33.00#	N/A	752	790	810	810	804	856	887	914	938	
	Uph. Seat/Back, Left Hand	SSOVTAPLH	<input type="checkbox"/>	<input type="checkbox"/>	<input type="checkbox"/>	<input type="checkbox"/>	33.00#	N/A	824	860	882	882	879	929	961	986	1011	
	Uph. Seat/Back, Right Hand	SSOVTAPRH	<input type="checkbox"/>	<input type="checkbox"/>	<input type="checkbox"/>	<input type="checkbox"/>	33.00#	N/A	824	860	882	882	879	929	961	986	1011	
SSP																		
SSU																		
SSUB																		

A B C D E F

HOW TO ORDER

- Indicate the following information on order form:
- Quantity of each item.
 - Model number, including options. See "How To Build a Model Number".
 - Any special service required.

Note:

- The indicates that a choice is required.
- The absence of the indicates that no choice is required.
- Alpha-numeric characters in place of indicate that no other alternatives are available.

HOW TO BUILD A MODEL NUMBER

- A** Select basic model.
- B** Select frame color. Refer to the **Product Color Options** page in this price list.
- C** Select poly seat and back color. Refer to the **Product Color Options** page in this price list.
- D** Select glide option.

GFT	- Felt glides
NG	- No glides
GBL	- Black plastic glides
NS	- Non-skid glides
GSS	- Steel glide
- E** Select tablet arm color. Refer to the **Product Color Options** page in this price list.
- F** Select upholstery grade/color. Refer to ki.com/fabrics

UPHOLSTERY INFORMATION

C.O.M. Upholstery
C.O.M. requirement for 10 chairs or less with upholstered seat or upholstered seat and back is 3/4 yard per chair of 54" wide nondirectional fabric. For orders of 11 or more with upholstered seat and back. For complete information on ordering C.O.M. see "Ordering Customer's Own Material (C.O.M) Upholstery." section.

SPECIAL SERVICES

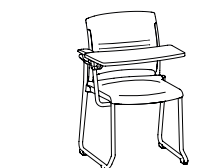
Special Carton Marking
With specially marked information N/C

Shipping
Ships assembled, FOB Green Bay, WI 54302, freight prepaid. Freight class 125.

Specifications and prices are subject to change without prior notice.



MODEL	Features	MODEL NUMBER						Approx. Packaged Weight	Delivered Pricing Unupholstered	Delivered Pricing Fabric Grade 1 & C.O.M.	Delivered Pricing Fabric Grade 2	Delivered Pricing Fabric Grade 3	Delivered Pricing Vinyl Group 2V	Delivered Pricing Pallas Fabric Group P0	Delivered Pricing Pallas Fabric Group P1	Delivered Pricing Pallas Fabric Group P2	Delivered Pricing Pallas Fabric Group P3
		Basic Model	Frame Color	Seat & Back Color	Glide Option	Tablet Arm Color	Upholstery Color										
Sled Base ChangeUp Tablet Arm Chair • Flexing Back • Large work surface (21"W x 13.3"D) • Work surface flips and folds • Work surface has 20 degrees of ingress/egress movement • Work surface rated to 250 pounds • Chair rated to 400 pounds	Polypropylene, Left Hand	SSCUTAPLH	<input type="checkbox"/>	<input type="checkbox"/>	<input type="checkbox"/>	<input type="checkbox"/>	35.00#	\$ 801									
	Polypropylene, Right Hand	SSCUTAPRH	<input type="checkbox"/>	<input type="checkbox"/>	<input type="checkbox"/>	<input type="checkbox"/>	35.00#	801									
	Upholstered Seat, Left Hand	SSCUTAU LH	<input type="checkbox"/>	<input type="checkbox"/>	<input type="checkbox"/>	<input type="checkbox"/>	37.50#	N/A	887	928	941	941	941	993	1021	1049	
	Upholstered Seat, Right Hand	SSCUTAU RH	<input type="checkbox"/>	<input type="checkbox"/>	<input type="checkbox"/>	<input type="checkbox"/>	37.50#	N/A	887	928	941	941	941	993	1021	1049	
	Upholstered Seat/Back, Left Hand	SSCUTAU BLH	<input type="checkbox"/>	<input type="checkbox"/>	<input type="checkbox"/>	<input type="checkbox"/>	38.70#	N/A	958	996	1013	1013	1013	1066	1095	1122	
	Upholstered Seat/Back, Right Hand	SSCUTAU BRH	<input type="checkbox"/>	<input type="checkbox"/>	<input type="checkbox"/>	<input type="checkbox"/>	38.70#	N/A	958	996	1013	1013	1013	1066	1095	1122	



SSP
SSU
SSUB

A **B** **C** **D** **E** **F**

HOW TO ORDER

- Indicate the following information on order form:
- Quantity of each item.
 - Model number, including options. See "How To Build a Model Number".
 - Any special service required.

Note: • The indicates that a choice is required.
 • The absence of the indicates that no choice is required.
 • Alpha-numeric characters in place of indicate that no other alternatives are available.

HOW TO BUILD A MODEL NUMBER

- A** Select basic model.
- B** Select frame color. Refer to the **Product Color Options** page in this price list.
- C** Select poly seat and back color. Refer to the **Product Color Options** page in this price list.
- D** Select glide option.

GFT	- Felt glides
NG	- No glides
GBL	- Black plastic glides
NS	- Non-skid glides
GSS	- Steel glide
- E** Select tablet arm color. Refer to the **Product Color Options** page in this price list.
- F** Select upholstery grade/color. Refer to ki.com/fabrics

UPHOLSTERY INFORMATION

C.O.M. Upholstery
 C.O.M. requirement for 10 chairs or less with upholstered seat or upholstered seat and back is 3/4 yard per chair of 54" wide nondirectional fabric. For orders of 11 or more with upholstered seat and back. For complete information on ordering C.O.M. see "Ordering Customer's Own Material (C.O.M) Upholstery." section.

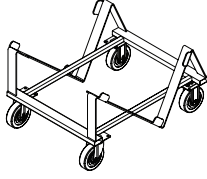
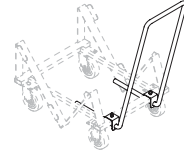
SPECIAL SERVICES

Special Carton Marking
 With specially marked information N/C

Shipping
 Ships **assembled, FOB Green Bay, WI 54302, freight prepaid.** Freight class 125.

Specifications and prices are subject to change without prior notice.



MODEL	MODEL NUMBER		Approx. Packaged Weight	Delivered Pricing
	Basic Model			
 <p>Transport Dolly for 4-Leg and Sled Base Chairs</p> <ul style="list-style-type: none"> • Easy maneuverability with 5" casters: two fixed, two swivel • Rugged weld tubular steel frame • Black powder-coated finish 	SCDA.BL		31.00#	\$ 590
STA01				
 <p>Universal Dolly Handle</p> <ul style="list-style-type: none"> • Field installable • Provides convenient handle for relocating dolly when empty or loaded • Overall dolly height with handle is 37" 	UDH.BL		9.00#	\$ 210
AC800				

A

HOW TO ORDER

- Indicate the following information on order form:
1. Quantity of each item.
 2. Model number, including options. See "How To Build a Model Number".
 3. Any special service required.

Note:

- The indicates that a choice is required.
- The absence of the indicates that no choice is required.
- Alpha-numeric characters in place of indicate that no other alternatives are available.

HOW TO BUILD A MODEL NUMBER

A Select basic model.

SPECIAL SERVICES

Special Carton Marking




With specially marked information N/C

Shipping

Ships **assembled, FOB Green Bay, WI 54302, freight prepaid.** Freight class 125.

Specifications and prices are subject to change without prior notice.



MODEL	Features	MODEL NUMBER						Approx. Packaged Weight	Delivered Pricing Unupholstered	Delivered Pricing Fabric Grade 1 & C.O.M.	Delivered Pricing Fabric Grade 2	Delivered Pricing Fabric Grade 3	Delivered Pricing Vinyl Group 2V	Delivered Pricing Pallas Fabric Group P0	Delivered Pricing Pallas Fabric Group P1	Delivered Pricing Pallas Fabric Group P2	Delivered Pricing Pallas Fabric Group P3	Delivered Pricing Pallas Fabric Group P4
		Basic Model	Seat Height	Frame Color	Seat & Back Color	Glide Option	Upholstery Color											
 SLSP SLSU SLSUB	Four-Leg Armless Cafe Stool • Flex back • Stacking • Two seat heights	Polypropylene	SLSNAP	<input type="checkbox"/>	<input type="checkbox"/>	<input type="checkbox"/>	<input type="checkbox"/>	31.00#	\$ 400									
	Upholstered Seat	SLSNAU	<input type="checkbox"/>	<input type="checkbox"/>	<input type="checkbox"/>	<input type="checkbox"/>	<input type="checkbox"/>	33.00#	N/A	487	527	546	546	544	597	625	652	679
	Upholstered Seat/Back	SLSNAUB	<input type="checkbox"/>	<input type="checkbox"/>	<input type="checkbox"/>	<input type="checkbox"/>	<input type="checkbox"/>	33.00#	N/A	562	600	618	618	616	668	697	727	752
 SLSP SLSU SLSUB	Four-Leg Cantilever Arm Cafe Stool • Flex back • Stacking • Two seat heights	Polypropylene	SLSCAP	<input type="checkbox"/>	<input type="checkbox"/>	<input type="checkbox"/>	<input type="checkbox"/>	33.00#	\$ 484									
	Upholstered Seat	SLSCAU	<input type="checkbox"/>	<input type="checkbox"/>	<input type="checkbox"/>	<input type="checkbox"/>	<input type="checkbox"/>	35.00#	N/A	568	608	626	626	625	678	704	733	758
	Upholstered Seat/Back	SLSCAUB	<input type="checkbox"/>	<input type="checkbox"/>	<input type="checkbox"/>	<input type="checkbox"/>	<input type="checkbox"/>	35.00#	N/A	641	681	699	699	695	750	776	807	832
 SLSP SLSU SLSUB	Four-Leg Loop Arm Cafe Stool • Flex back • NONSTACKING • Two seat heights	Polypropylene	SLSLAP	<input type="checkbox"/>	<input type="checkbox"/>	<input type="checkbox"/>	<input type="checkbox"/>	35.00#	\$ 500									
	Upholstered Seat	SLSLAU	<input type="checkbox"/>	<input type="checkbox"/>	<input type="checkbox"/>	<input type="checkbox"/>	<input type="checkbox"/>	37.00#	N/A	585	626	643	643	641	693	724	752	774
	Upholstered Seat/Back	SLSLAUB	<input type="checkbox"/>	<input type="checkbox"/>	<input type="checkbox"/>	<input type="checkbox"/>	<input type="checkbox"/>	37.00#	N/A	659	699	716	716	714	765	797	824	849

A **B** **C** **D** **E** **F**

HOW TO ORDER

- Indicate the following information on order form:
- Quantity of each item.
 - Model number, including options. See "How To Build a Model Number".
 - Any special service required.

Note: • The indicates that a choice is required.
 • The absence of the indicates that no choice is required.
 • Alpha-numeric characters in place of indicate that no other alternatives are available.

HOW TO BUILD A MODEL NUMBER

- A** Select basic model.
- B** Select seat height.

24	- 24" seat height
30	- 30" seat height
- C** Select frame color.
 Refer to the **Product Color Options** page in this price list.
- D** Select poly seat and back color.
 Refer to the **Product Color Options** page in this price list.
- E** Select glide option.

F	- Felt Glides
P	- Plastic glides
S	- Steel glides
- F** Select upholstery grade/color.
 Refer to ki.com/fabrics

UPHOLSTERY INFORMATION

C.O.M. Upholstery
 C.O.M. requirement for 10 chairs or less with upholstered seat or upholstered seat and back is 3/4 yard per chair of 54" wide nondirectional fabric. For orders of 11 or more with upholstered seat and back. For complete information on ordering C.O.M. see "Ordering Customer's Own Material (C.O.M) Upholstery." section.

SPECIAL SERVICES

Special Carton Marking

With specially marked information N/C

Shipping
 Ships **assembled, FOB Green Bay, WI 54302, freight prepaid.** Freight class 125.

Specifications and prices are subject to change without prior notice.



**High Density Stacking Chair
with Poly Seat
(SWNA)**



**High Density Stacking Chair
with Uph. Seat Pad
(SWNAU)**

Features		
Stackable	•	•
Poly or upholstered seat	•	•
Flex back	•	•
General Dimensions		
Seat width	17-3/4"	17-3/4"
Seat depth	18-1/2"	18-1/2"
Seat height	18"	18"
Tablet to chair back clearance		
Overall Dimensions		
Width	19-1/2"	19-1/2"
Depth	22-1/4"	22-1/4"
Height	32-1/2"	32-1/2"
Stacking on Dolly		
Overall width	22-1/2"	22-1/2"
Overall depth	45"	39"
Quantity/height	30 Chairs/77" High	15 Chairs/65" High
Stacking on Floor		
Width	19-1/2"	19-1/2"
Depth	29-1/2"	30"
Quantity/height	6 Chairs/37-1/2" High	5 Chairs/41" High



**High Density Stacking Stool
with Poly Seat, 24" Height
(SWSNA/24)**



**High Density Stacking Stool
with Uph. Seat, 24" Height
(SWSNAU/24)**



**High Density Stacking Stool
with Poly Seat, 30" Height
(SWSNA/30)**



**High Density Stacking Stool
with Uph. Seat, 30" Height
(SWSNAU/30)**

Features				
Stackable	•	•	•	•
Poly or upholstered seat	•	•	•	•
Flex back	•	•	•	•
General Dimensions				
Seat width	17-3/4"	17-3/4"	17-3/4"	17-3/4"
Seat depth	18-1/2"	18-1/2"	18-1/2"	18-1/2"
Seat height	24"	24"	30"	30"
Overall Dimensions				
Width	19-1/2"	19-1/2"	19-1/2"	19-1/2"
Depth	23-1/2"	23-1/2"	24-1/2"	24-1/2"
Height	38-1/2"	38-1/2"	44-1/2"	44-1/2"
Stacking on Dolly				
Overall width	21"	21"	21"	21"
Overall depth	49-1/2"	52"	51-1/2"	54"
Quantity/height	20 Stools/66" High	10 Stools/54-1/2" High	20 Stools/69" High	10 Stools/58" High
Stacking on Floor				
Width	19-1/2"	19-1/2"	19-1/2"	19-1/2"
Depth	31"	31"	32"	32"
Quantity/height	6 Stools/43-1/2" High	5 Stools/47" High	6 Stools/49-1/2" High	5 Stools/53" High

INFORMATION

C.O.M. Testing and Production Requirements

Not all materials are suitable for upholstering this product. A 1 yd. x 54" sample must be submitted and approved prior to acceptance of an order. If the fabric is directional in pattern or weave, the direction must be indicated on the submitted sample, and additional yardage may be requested.

Test samples must be sent to:

KI
Attn: C.O.M. Specialist
1687 Westminster Drive - Gate 3
Green Bay, WI 54302

Fabric Disclaimer

Fabric will be applied as swatched by the fabric manufacturer. Fabric that is required to be applied differently than is swatched will need a Modified Product Request written specifying the direction the fabric is to be applied.

Design

Designed by Giancarlo Piretti and manufactured in the USA by Krueger International, Inc. under license from Pro-Cord S.p.A

KI Color Match Program

KI offers the additional option of color matching paint, polypropylene, or wood stain through Product Modification Requests. Contact Customer Service for details.

Whatever you imagine, whatever you require, KI's Color Match program lets you pick your color!

Color Match Process - Poly Seating Information can be found here.

INFORMATION

Warranty

Refer to KI Terms & Conditions document or visit ki.com



Transport Dolly for Chairs
(WSCD.BL (Poly Chairs) or CSD.BL (Uph Chairs))

Transport Dolly for Stools
(WSSD.BL)

Overall Dimensions		
Width	22-3/8"	21"
Depth	25-5/8"	26-1/2"

TECHNICAL SPECIFICATIONS

Seat

Injection-molded polypropylene seat.

Backrest

Injection molded polypropylene with integral steel cantilever springs. The combination of the slotted polypropylene back and the spring steel provides a supportive flexing back. Springs are nominal 4.5 mm diameter chrome silicon valve spring wire. Top of backrest has an integral handle for ease of lifting and stacking.

Chair & Stool Frames & Finishes

7/16" solid steel rod, all joints welded. Finished in bright nickel-chrome or with electrostatically-applied epoxy powder-coat paint.

Optional Upholstered Seat

Molded urethane foam (soy based) is attached to an injection-molded polypropylene seat board, the upholstered using a draw-string process. The assembled seat pad is attached to the seat by means of hidden fasteners. Note: upholstered seat is required with translucent poly backs.

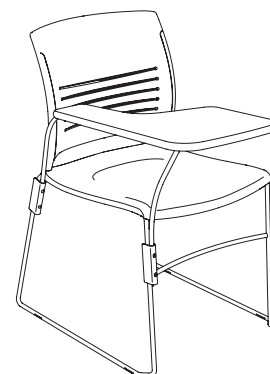
Transport Dolly

Tubular and plate steel welded together. 5" casters: two fixed, two swivel. Powder-coated finish.

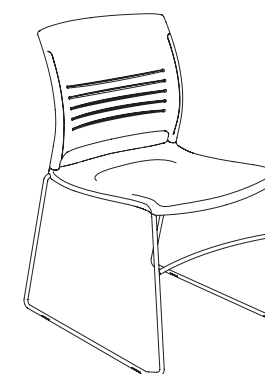
STATEMENT OF LINE

All models are available in polypropylene seat/backrest or upholstered seat/polypropylene backrest.

Strive High-Density Sled Base Stack Chair

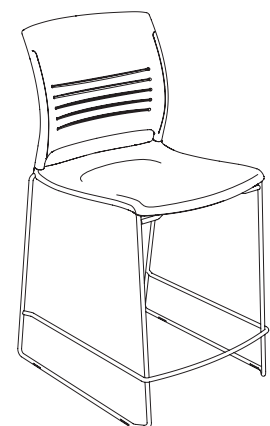


SWNA with SWTAR

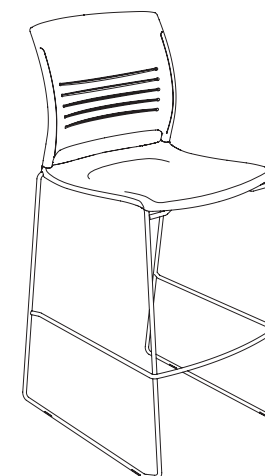


SWNA

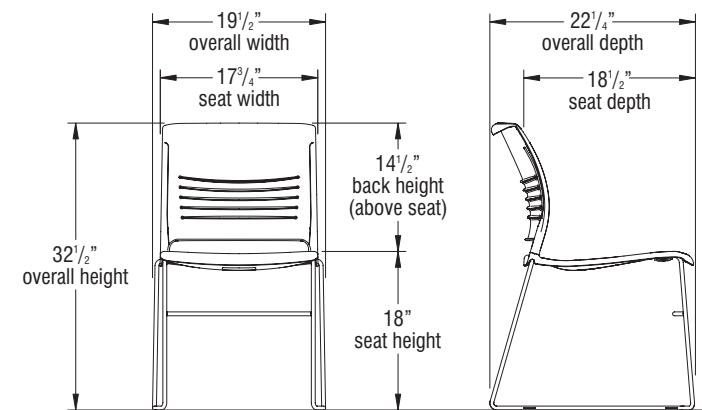
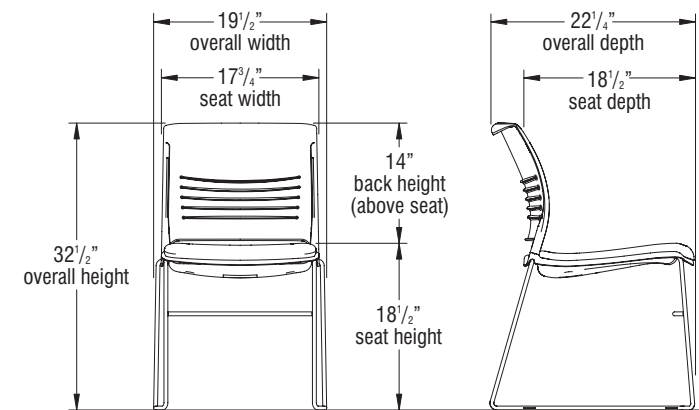
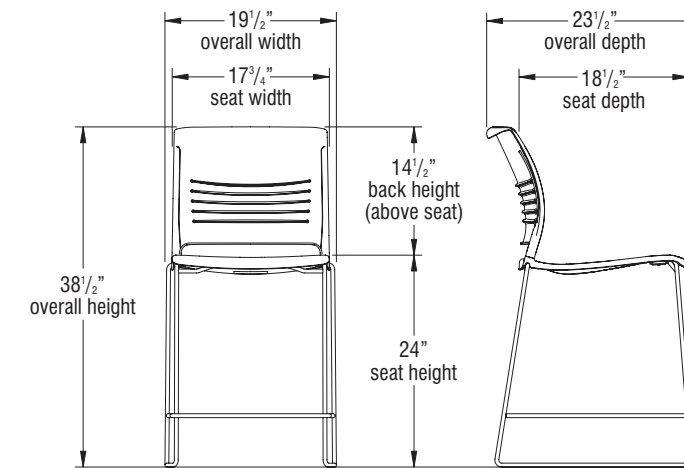
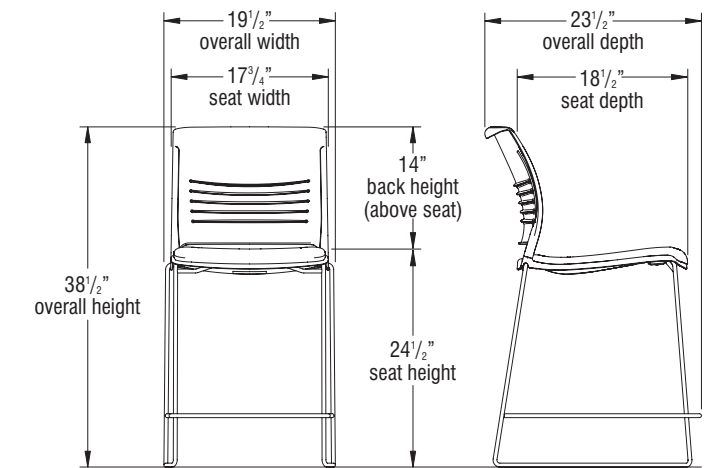
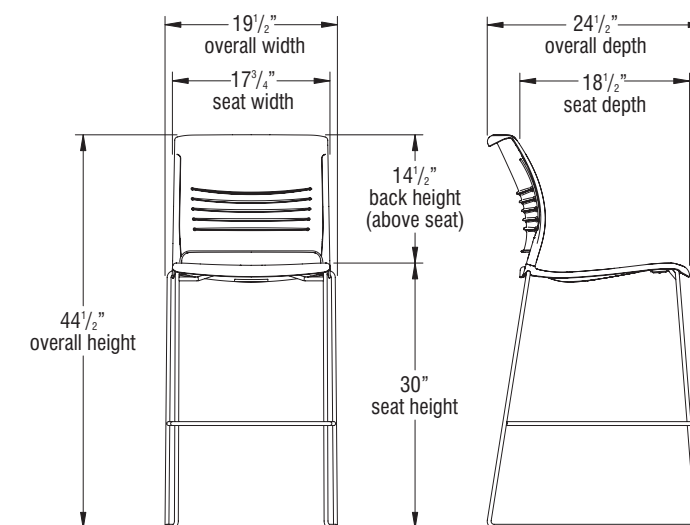
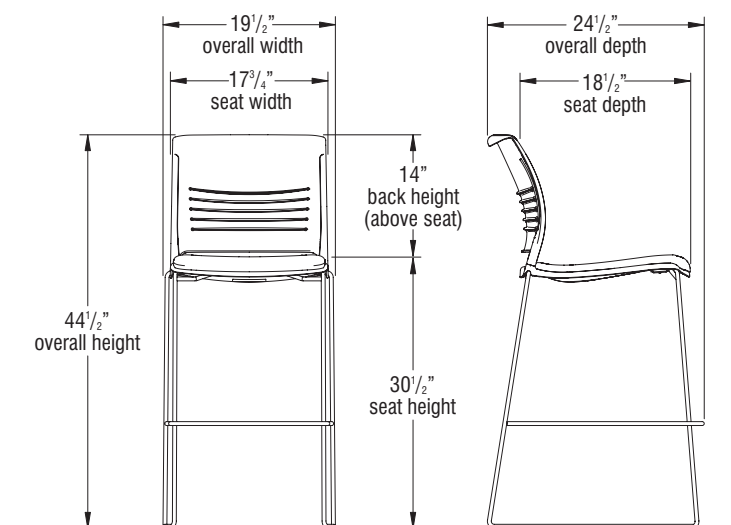
Strive High-Density Sled Base Stack Stools



SWSNAP24



SWSNAP30

**Strive High-Density Sled Base Chair -
 Polypropylene Seat & Backrest**

**Strive High-Density Sled Base Chair -
 Upholstered Seat & Polypropylene Backrest**

**Strive High-Density 24" Sled Base Stool -
 Polypropylene Seat & Backrest**

**Strive High-Density 24" Sled Base Stool -
 Upholstered Seat & Polypropylene Backrest**

**Strive High-Density 30" Sled Base Stool -
 Polypropylene Seat & Backrest**

**Strive High-Density 30" Sled Base Stool -
 Upholstered Seat & Polypropylene Backrest**


**Frame Color**

Black	BL	Nemo	PNE
Blue Grey	GR	Nordic	PND
Bronze Metallic	ZM	Pewter Translucent	PPT
Cayenne	CY	Poppy Red	PPR
Champagne Metallic	CM	Purple Haze	PPH
Chrome	CH	Rainforest	PRQ
Cool Grey	CG	Raw Jasper	PRJ
Cottonwood	CO	Rubber Ducky	PRK
Earthen Clay	EY	Sand	PSA
Espresso Metallic	EX	Sky Blue	PSK
Everglade Shade	EV	Surf's Up	PSP
Flannel	FN	Tarragon	PTQ
Glitz Metallic	GZ	Twilight Shadow	PTI
Hazy Jade	HJ	Ultra Blue	PUB
Honey Bee	HY	Warm Grey	PWG
Light Tone	LG	Zesty Lime	PZL
Mardi Gras	MG		
Misty Brown	MY		
Nemo	NE		
Nordic	ND		
Poppy Red	PR		
Purple Haze	PH		
Rainforest	RQ		
Raw Jasper	RJ		
Rubber Ducky	RK		
Sand	SA		
Sky Blue	SK		
Starlight Silver Metallic	SX		
Surf's Up	SP		
Tarragon	TQ		
Twilight Shadow	TI		
Ultra Blue	UB		
Warm Grey	WG		
Zesty Lime	ZL		

Diamond Translucent and Pewter Translucent are only available on upholstered seat models.

Armcaps and glides match the frame color with the following exceptions:

-When frame color is chrome or metallic, the armcaps and glides will match poly color.

-When back is diamond translucent, armcaps are light tone.

-When back is pewter translucent, armcaps are flannel.

Casters for four-leg chairs are always black.

Seat and Back Color - Polypropylene

Black	PBL
Blue Grey	PGR
Cayenne	PCY
Cool Grey	PCG
Cottonwood	PCO
Diamond Translucent	PDT
Earthen Clay	PEY
Everglade Shade	PEV
Flannel	PFN
Hazy Jade	PHJ
Honey Bee	PHY
Light Tone	PLG
Mardi Gras	PMG
Misty Brown	PMY

Finish Cards

View color swatches for items listed within this document.

Paints

Wood/Veneer

Molded Edges

Hard Plastics

Plastics/Poly


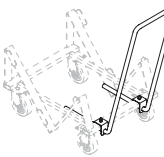
Laminates

Edge Styles

Glass

Certain options referenced may not be available on GSA Schedule.



MODEL	Features	MODEL NUMBER					Approx. Packaged Weight	Delivered Pricing Unupholstered	Delivered Pricing Fabric Grade 1 & C.O.M.	Delivered Pricing Fabric Grade 2	Delivered Pricing Fabric Grade 3	Delivered Pricing Vinyl Group 2V	Delivered Pricing Pallas Fabric Group P0	Delivered Pricing Pallas Fabric Group P1	Delivered Pricing Pallas Fabric Group P2	Delivered Pricing Pallas Fabric Group P3	Delivered Pricing Pallas Fabric Group P4
		Basic Model	Frame Color	Seat & Back Color	Upholstery Color	Glide Option											
 SWSCP SWSCU	Armless Chair • Flex back Polypropylene Upholstered Seat	SWNA	<input type="checkbox"/>	<input type="checkbox"/>		<input type="checkbox"/>	17.00#	\$ 263									
		SWNAU	<input type="checkbox"/>	<input type="checkbox"/>	<input type="checkbox"/>	<input type="checkbox"/>	<input type="checkbox"/>	17.00#	N/A	351	391	406	406	405	455	486	515
AC800	Transport Dolly - HD Chair - Uph • Accommodates up to 15 Strive HD Uph chairs or 38 Maestro Poly chairs • Easy maneuverability with 5" casters: two fixed, two swivel • Black powder-coated finish	CSD.BL					30.00#	\$ 584									
STA01	Transport Dolly - HD Chair - Poly • Accommodates up to 30 Strive HD poly chairs • Easy maneuverability with 5" casters: two fixed, two swivel • Black powder-coated finish	WSCD.BL					30.00#	\$ 584									
 AC800	Universal Dolly Handle • Field installable • Provides convenient handle for relocating dolly when empty or loaded • Overall dolly height with handle is 37"	UDH.BL					9.00#	\$ 210									

A **B** **C** **D** **E**

HOW TO ORDER

- Indicate the following information on order form:
- Quantity of each item.
 - Model number, including options. See "How To Build a Model Number".
 - Any special service required.

Note:

- The indicates that a choice is required.
- The absence of the indicates that no choice is required.
- Alpha-numeric characters in place of indicate that no other alternatives are available.

HOW TO BUILD A MODEL NUMBER

- A** Select basic model.
- B** Select frame color.
Refer to the **Product Color Options** page in this price list.
- C** Select seat and back color.
Refer to the **Product Color Options** page in this price list.
- D** Select upholstery grade/color.
Refer to ki.com/fabrics
- E** Select glide option.

G	- Ganging polycarbonate glides
GS	- Ganging steel glides
NG	- No glides
F	- Replaceable felt glides, non-ganging
H	- Polycarbonate glides
NS	- PVC non-skid glides
S	- Steel glides

UPHOLSTERY INFORMATION

C.O.M. Upholstery
 C.O.M. requirement for 10 chairs or less with upholstered seat or upholstered seat and back is 3/4 yard per chair of 54" wide nondirectional fabric. For orders of 11 or more with upholstered seat and back. For complete information on ordering C.O.M. see "Ordering Customer's Own Material (C.O.M) Upholstery." section.

SPECIAL SERVICES


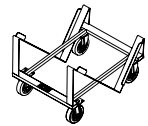
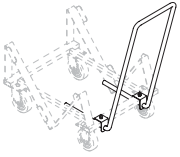
Special Carton Marking

With specially marked information N/C

Shipping
 Ships **assembled, FOB Green Bay, WI 54302, freight prepaid.** Freight class 125.

Specifications and prices are subject to change without prior notice.



MODEL	Features	MODEL NUMBER						Approx. Packaged Weight	Delivered Pricing Unupholstered	Delivered Pricing Fabric Grade 1 & C.O.M.	Delivered Pricing Fabric Grade 2	Delivered Pricing Fabric Grade 3	Delivered Pricing Vinyl Group 2V	Delivered Pricing Pallas Fabric Group P0	Delivered Pricing Pallas Fabric Group P1	Delivered Pricing Pallas Fabric Group P2	Delivered Pricing Pallas Fabric Group P3	Delivered Pricing Pallas Fabric Group P4
		Basic Model	Seat Height	Frame Color	Seat & Back Color	Upholstery Color	Glide Option											
 SWSSP SWSSU Armless Stool • Flex Back • Two seat heights (24" & 30") • 24" H stool specified for use with 36" H tables • 30" H stool specified for use with 42" H tables	Polypropylene	SWSNA	<input type="checkbox"/>	<input type="checkbox"/>	<input type="checkbox"/>		<input type="checkbox"/>	21.00#	\$ 395									
	Upholstered Seat	SWSNAU	<input type="checkbox"/>	<input type="checkbox"/>	<input type="checkbox"/>	<input type="checkbox"/>	<input type="checkbox"/>	21.00#	N/A	482	523	537	537	536	585	617	646	671
 AC800 Transport Dolly - Stool • Easy maneuverability with 5" casters: two fixed, two swivel • Black powder-coated finish		CSD.BL						30.00#	\$ 584									
 AC800 Universal Dolly Handle • Field installable • Provides convenient handle for relocating dolly when empty or loaded • Overall dolly height with handle is 37"		UDH.BL						9.00#	\$ 210									

A **B** **C** **D** **E** **F**

HOW TO ORDER

- Indicate the following information on order form:
- Quantity of each item.
 - Model number, including options. See "How To Build a Model Number".
 - Any special service required.

Note: • The indicates that a choice is required.
 • The absence of the indicates that no choice is required.
 • Alpha-numeric characters in place of indicate that no other alternatives are available.

HOW TO BUILD A MODEL NUMBER

- A** Select basic model.
- B** Select seat height.

24	- 24" seat height
30	- 30" seat height
- C** Select frame color.
Refer to the **Product Color Options** page in this price list.
- D** Select seat and back color.
Refer to the **Product Color Options** page in this price list.
- E** Select upholstery grade/color.
Refer to ki.com/fabrics
- F** Select glide option.

G	- Ganging polycarbonate glides
GS	- Ganging steel glides
NG	- No glides
F	- Replaceable felt glides, non-ganging

- | | |
|-----------|------------------------|
| H | - Polycarbonate glides |
| NS | - PVC non-skid glides |
| S | - Steel glides |

UPHOLSTERY INFORMATION

C.O.M. Upholstery
 C.O.M. requirement for 10 chairs or less with upholstered seat or upholstered seat and back is 3/4 yard per chair of 54" wide nondirectional fabric. For orders of 11 or more with upholstered seat and back. For complete information on ordering C.O.M. see "Ordering Customer's Own Material (C.O.M) Upholstery." section.

SPECIAL SERVICES

Special Carton Marking
 With specially marked information N/C

Shipping
 Ships **assembled, FOB Green Bay, WI 54302, freight prepaid.** Freight class 125.

Specifications and prices are subject to change without prior notice.



**Cantilever Armchair
(SNCAU)**



**Armless Chair
(SNNAP)**



Tablet Arm Chair (SNTAURH)

Oversize Tablet Arm Chair

Features				
Poly or upholstered seat	•	•	•	•
Flex back	•	•	•	•
Flip-up seat	•	•	•	•
Integral handle	•	•	•	•
Nesting	•	•	•	•
General Dimensions				
Seat width	17"	17"	17"	17"
Seat depth	18"	18"	18"	18"
Seat height (upholstered add 1")	16-1/2"	16-1/2"	16-1/2"	16-1/2"
Tablet to chair back clearance			14"	14"
Overall Dimensions				
Width	23"	23"	24"	24"
Depth	22-3/4"	22-3/4"	29"	32"
Height	33-3/4"	33-3/4"	33-3/4"	33-3/4"
Top of arm to floor	25-1/2"		28-1/4"	28-1/4"
Nesting (two chairs) (upholstered add 1")	28-1/2"	28-1/2"	34-3/4"	37-3/4"
Nesting - For each additional chair, add 5-3/4" (upholstered add 1")				

TECHNICAL SPECIFICATIONS

Seat and Backrest

Seat is two-piece construction of injection-molded polypropylene, reinforced with internal steel channels, and assembled using hidden fasteners. The seat is available in a poly version or upholstered. For the upholstered version, molded urethane foam (1" depth) is applied to the seat board. Fabric is then upholstered over the foam using a drawstring process. Note: upholstered seat is required with translucent poly backs.

Backrest is injection-molded polypropylene with integral steel cantilever springs. The combination of the slotted polypropylene back and the spring steel provides a supportive flexing back. Springs are nominal 4.5 mm diameter chrome silicon valve spring wire. Backrest is available poly only. Backrest has an integral, molded "handle".

Seat flips up to allow chairs to nest for storage and transport.

Seat assembly and backrest are field replaceable.

Frame

The legs are 1", 13-gauge high-strength steel tubing. All frame joints are welded.

Frame Finishes

Frames are finished in either baked-on electrostatically-applied 30 gloss epoxy powder-coat paint, or bright nickel chrome plating.

Casters/Glides

Double wheels (60 mm) of high-impact thermoplastic. High-impact plastic frame. Casters are always black. Carpet or hard floor. Bell glide (2" high) made of high-impact plastic also available, black only.

Arms

Optional fixed-position T-arms are available. Arm supports are a continuation of the frame crossmember tube, with injection-molded polypropylene arm caps attached by screws. The armcaps are injection-molded glass filled polypropylene matching the frame finish (when frame finish is Chrome, hammertones, or Starlight Silver metallic, armcaps match the seat and back color; when back is Diamond translucent, armcaps are Light Tone; when back is Pewter translucent, armcaps are Flannel).

Tablet Arm

An optional tablet arm is available on either the right or left-hand side. When so equipped, the tablet arm support structure is a continuation of the frame crossmember tube. A formed steel hinge is welded to the top of the support structure and secured with screws to the underside of the writing surface. Writing surface for standard tablet is 9 1/2" x 20 3/4" x 12 1/2" and oversize tablet is 15 1/2" x 22 1/2" x 14" plywood core of 5/8" thick, 1 1-ply hardwood surfaced with .030" high-pressure laminate top and plain backer undersurface. Tablet arm flips up for easy access. Edges are lacquered and sealed.

INFORMATION

C.O.M Testing and Production Requirements

Not all materials are suitable for upholstering this product. A 3/4 yd. x 54" sample must be submitted and approved prior to acceptance of an order. If the fabric is directional in pattern or weave, the direction must be indicated on the submitted sample, and additional yardage may be requested.

Test samples must be sent to:

KI
Attn: C.O.M. Specialist
1687 Westminster Drive - Gate 3
Green Bay, WI 54302

Fabric Disclaimer

Fabric will be applied as swatched by the fabric manufacturer. Fabric that is required to be applied differently than is swatched will need a Modified Product Request written specifying the direction the fabric is to be applied.

KI Color Match Program

KI offers the additional option of color matching paint, polypropylene, or wood stain through Product Modification Requests. Contact Customer Service for details.

Whatever you imagine, whatever you require, KI's Color Match program lets you pick your color!

Color Match Process - Poly Seating Information can be found here.

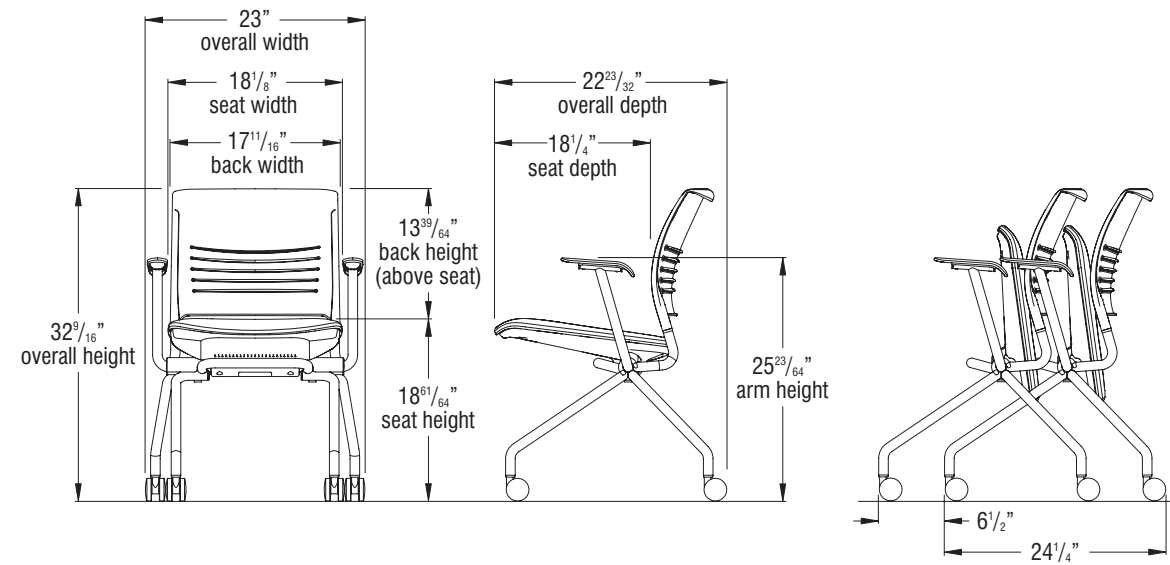
INFORMATION

Warranty

Refer to KI Terms & Conditions document or visit ki.com



DIMENSIONS

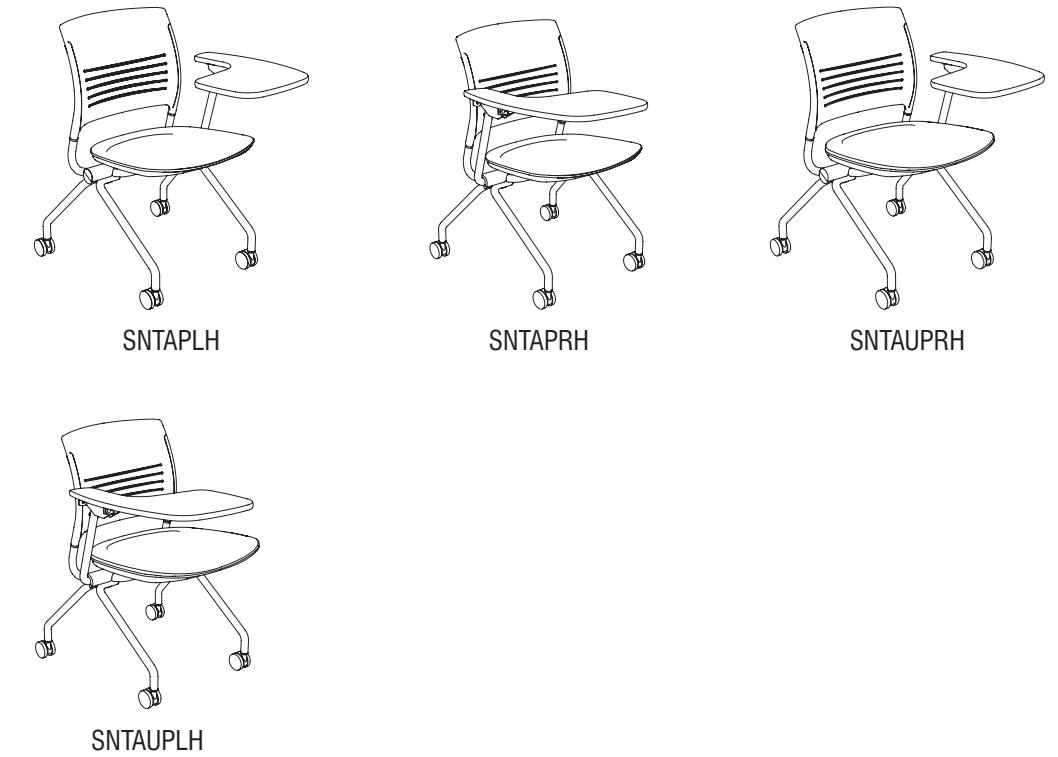


Nesting Footprint Calculation: Overall Length of a Row = 24.25" (1 chair) + 6.5" (additional chairs)

- Examples: 2 Chairs: 24.25" (1 chair) + 6.5" (1 chair) = 30.75"
- 16 Chairs: 24.25" (1 chair) + 6.5" (15 chairs) = 121.75"

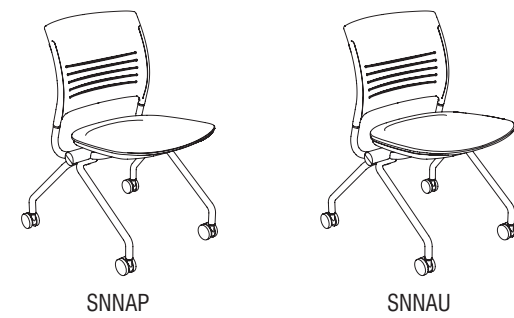
STATEMENT OF LINE

Strive Nesting Tablet Arm Chair

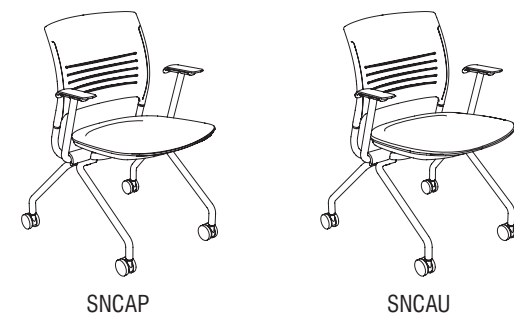


STATEMENT OF LINE

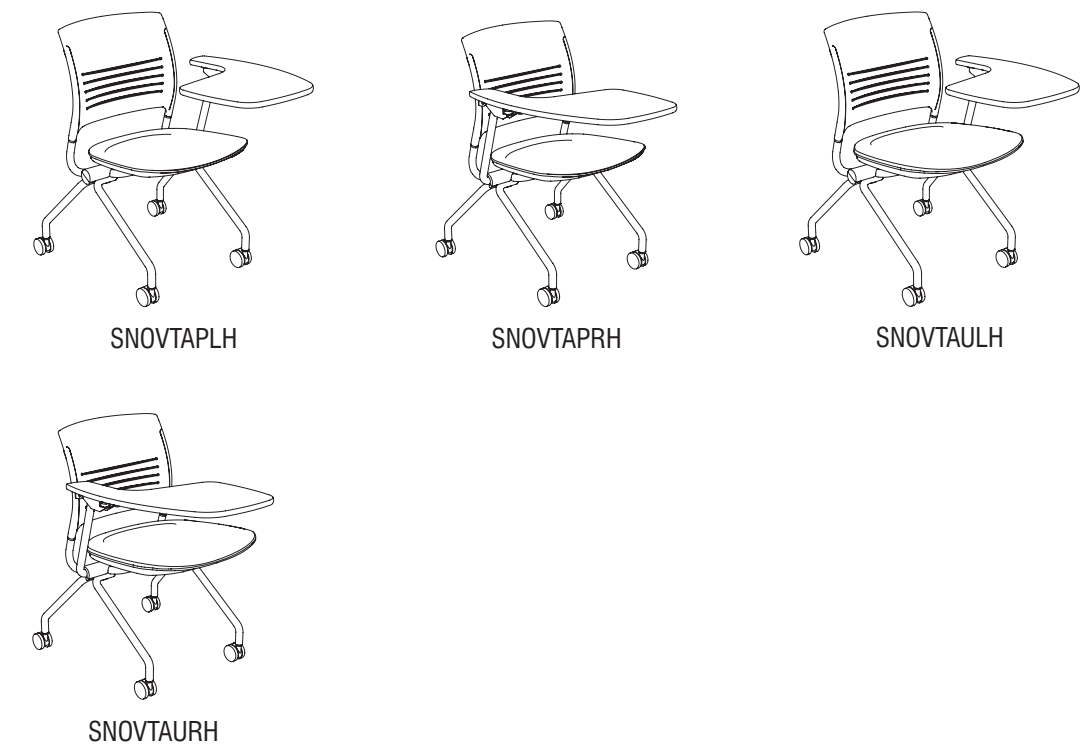
Strive Nesting Armless Chair



Strive Nesting Cantilever Armchair



Strive Nesting Oversized Tablet Arm Chair




Frame Color

Black	BL	Nemo	PNE
Blue Grey	GR	Nordic	PND
Bronze Metallic	ZM	Pewter Translucent	PPT
Cayenne	CY	Poppy Red	PPR
Champagne Metallic	CM	Purple Haze	PPH
Chrome	CH	Rainforest	PRQ
Cool Grey	CG	Raw Jasper	PRJ
Cottonwood	CO	Rubber Ducky	PRK
Earthen Clay	EY	Sand	PSA
Espresso Metallic	EX	Sky Blue	PSK
Everglade Shade	EV	Surf's Up	PSP
Flannel	FN	Tarragon	PTQ
Glitz Metallic	GZ	Twilight Shadow	PTI
Hazy Jade	HJ	Ultra Blue	PUB
Honey Bee	HY	Warm Grey	PWG
Light Tone	LG	Zesty Lime	PZL
Mardi Gras	MG		
Misty Brown	MY		
Nemo	NE		
Nordic	ND		
Poppy Red	PR		
Purple Haze	PH		
Rainforest	RQ		
Raw Jasper	RJ		
Rubber Ducky	RK		
Sand	SA		
Sky Blue	SK		
Starlight Silver Metallic	SX		
Surf's Up	SP		
Tarragon	TQ		
Twilight Shadow	TI		
Ultra Blue	UB		
Warm Grey	WG		
Zesty Lime	ZL		

Diamond Translucent and Pewter Translucent are only available on upholstered seat models.

Tablet Arm Color - Laminate

	NE	Beigewood	LBZ
	ND	Belair	LBO
	PR	Biltmore Cherry	LBT
	PH	Black	LBK
	RQ	Brighton Walnut	LBW
	RJ	Castle Oak	LCO
	RK	Cherry Storm	LCX
	SA	Classic Linen	LCI
	SK	Cocobala	LCC
	SX	Crisp Linen	LRI
	SP	Designer White	LDR
	TQ	Dove Grey	LDG
	TI	Florence Walnut	LFC
	UB	Friston Ash	LFH
	WG	Frosty White	LFW
	ZL	Graphite Nebula	LGN
		Grey	LGE
		High Rise	LHE
		Hollyberry	LHY
		Island	LID
		Italian Silver Ash	LIT
		Kensington Maple	LKM
		Lapis Blue	LLB
		Monticello Maple	LMT
		North Sea	LNA
		Ocean	LON
		Pinnacle Walnut	LPW
		River Cherry	LRY
		Shadow Zephyr	LSR
		Sterling Ash	LAZ
		Titanium Evolv	LTV
		White Nebula	LWL
		White Sand	LWN
		Windsor Mahogany	LWY

Armcaps and glides match the frame color with the following exceptions:

-When frame color is chrome or metallic, the armcaps and glides will match poly color.

-When back is diamond translucent, armcaps are light tone.

-When back is pewter translucent, armcaps are flannel.

Casters for four-leg chairs are always black.

Seat and Back Color - Polypropylene

Black	PBL		
Blue Grey	PGR		
Cayenne	PCY		
Cool Grey	PCG		
Cottonwood	PCO		
Diamond Translucent	PDT		
Earthen Clay	PEY		
Everglade Shade	PEV		
Flannel	PFN		
Hazy Jade	PHJ		
Honey Bee	PHY		
Light Tone	PLG		
Mardi Gras	PMG		
Misty Brown	PMY		





Finish Cards

View color swatches for items listed within this document.

[Paints](#)
[Wood/Veneer](#)
[Molded Edges](#)
[Hard Plastics](#)
[Plastics/Poly](#)
[Laminates](#)
[Edge Styles](#)
[Glass](#)

Certain options referenced may not be available on GSA Schedule.



MODEL	MODEL NUMBER					Approx. Packaged Weight	Delivered Pricing	Delivered Pricing Fabric Grade 1 & C.O.M.	Delivered Pricing Fabric Grade 2	Delivered Pricing Fabric Grade 3	Delivered Pricing Vinyl Group 2V	Delivered Pricing Pallas Fabric Group P0	Delivered Pricing Pallas Fabric Group P1	Delivered Pricing Pallas Fabric Group P2	Delivered Pricing Pallas Fabric Group P3	Delivered Pricing Pallas Fabric Group P4
	Basic Model	Frame Color	Poly Seat/Back Color	Base	Upholstery Color											
 Armless Chair with Poly Seat • Flex back • Nests SNP	SNNAP	<input type="checkbox"/>	<input type="checkbox"/>	<input type="checkbox"/>		23.00#	\$ 570									
 Armless Chair with Upholstered Seat • Flex back • Nests SNU	SNNAU	<input type="checkbox"/>	<input type="checkbox"/>	<input type="checkbox"/>	<input type="checkbox"/>	23.00#	N/A	\$ 652	\$ 688	\$ 707	\$ 707	\$ 704	\$ 756	\$ 782	\$ 812	\$ 835
 Arm Chair with Poly Seat • Flex back • Nests SNP	SNCAP	<input type="checkbox"/>	<input type="checkbox"/>	<input type="checkbox"/>		25.00#	\$ 647									
 Arm Chair with Upholstered Seat • Flex back • Nests SNU	SNCAU	<input type="checkbox"/>	<input type="checkbox"/>	<input type="checkbox"/>	<input type="checkbox"/>	25.00#	N/A	\$ 732	\$ 767	\$ 785	\$ 785	\$ 781	\$ 833	\$ 858	\$ 888	\$ 913

A **B** **C** **D** **E**

HOW TO ORDER

- Indicate the following information on order form:
- Quantity of each item.
 - Model number, including options. See "How To Build a Model Number".
 - Any special service required.

Note: • The indicates that a choice is required.
 • The absence of the indicates that no choice is required.
 • Alpha-numeric characters in place of indicate that no other alternatives are available.

HOW TO BUILD A MODEL NUMBER

- A** Select basic model.
- B** Select frame color.
Refer to the **Product Color Options** page in this price list.
- C** Select poly seat and back color
Refer to the **Product Color Options** page in this price list.
- D** Select base option.

G	- Bell glides (black only)
C	- Carpet casters (black only)
S	- Hard floor casters (black only)
- E** Select upholstery grade/color.
Refer to ki.com/fabrics

UPHOLSTERY INFORMATION

C.O.M. Upholstery
 C.O.M. requirement for 10 chairs or less with upholstered seat or upholstered seat and back is 3/4 yard per chair of 54" wide nondirectional fabric. For orders of 11 or more with upholstered seat and back. For complete information on ordering C.O.M. see "Ordering Customer's Own Material (C.O.M) Upholstery." section.

SPECIAL SERVICES





Special Carton Marking

With specially marked information N/C

Shipping
 Ships **assembled, FOB Green Bay, WI 54302, freight prepaid.** Freight class 125.

Specifications and prices are subject to change without prior notice.



MODEL	MODEL NUMBER						Approx. Packaged Weight	Delivered Pricing	Delivered Pricing Fabric Grade 1 & C.O.M.	Delivered Pricing Fabric Grade 2	Delivered Pricing Fabric Grade 3	Delivered Pricing Vinyl Group 2V	Delivered Pricing Pallas Fabric Group P0	Delivered Pricing Pallas Fabric Group P1	Delivered Pricing Pallas Fabric Group P2	Delivered Pricing Pallas Fabric Group P3	Delivered Pricing Pallas Fabric Group P4
	Basic Model	Frame Color	Poly Seat/Back Color	Base	Tablet Arm Color	Upholstery Color											
 Tablet Arm Chair with Poly Seat • Flex back • Nests SNP	SNTAPRH	<input type="checkbox"/>	<input type="checkbox"/>	<input type="checkbox"/>	<input type="checkbox"/>	<input type="checkbox"/>	28.00#	\$ 812									
	SNTAPLH	<input type="checkbox"/>	<input type="checkbox"/>	<input type="checkbox"/>	<input type="checkbox"/>	<input type="checkbox"/>	28.00#	812									
 Tablet Arm Chair with Upholstered Seat • Flex back • Nests SNU	SNTAURH	<input type="checkbox"/>	<input type="checkbox"/>	<input type="checkbox"/>	<input type="checkbox"/>	<input type="checkbox"/>	28.00#	N/A	\$ 894	\$ 930	\$ 947	\$ 947	\$ 945	\$ 996	\$ 1022	\$ 1052	\$ 1077
	SNTAULH	<input type="checkbox"/>	<input type="checkbox"/>	<input type="checkbox"/>	<input type="checkbox"/>	<input type="checkbox"/>	28.00#	N/A	894	930	947	947	945	996	1022	1052	1077
 Oversize Tablet Arm Chair with Poly Seat • Flex back • Nests SNP	SNOVTAPRH	<input type="checkbox"/>	<input type="checkbox"/>	<input type="checkbox"/>	<input type="checkbox"/>	<input type="checkbox"/>	28.00#	\$ 894									
	SNOVTAPLH	<input type="checkbox"/>	<input type="checkbox"/>	<input type="checkbox"/>	<input type="checkbox"/>	<input type="checkbox"/>	28.00#	894									
 Oversize Tablet Arm Chair with Upholstered Seat • Flex back • Nests SNU	SNOVTAURH	<input type="checkbox"/>	<input type="checkbox"/>	<input type="checkbox"/>	<input type="checkbox"/>	<input type="checkbox"/>	28.00#	N/A	\$ 977	\$ 1012	\$ 1031	\$ 1031	\$ 1026	\$ 1079	\$ 1107	\$ 1136	\$ 1158
	SNOVTAULH	<input type="checkbox"/>	<input type="checkbox"/>	<input type="checkbox"/>	<input type="checkbox"/>	<input type="checkbox"/>	28.00#	N/A	977	1012	1031	1031	1026	1079	1107	1136	1158

A **B** **C** **D** **E** **F**

HOW TO ORDER

- Indicate the following information on order form:
- Quantity of each item.
 - Model number, including options. See "How To Build a Model Number".
 - Any special service required.

Note: • The indicates that a choice is required.
 • The absence of the indicates that no choice is required.
 • Alpha-numeric characters in place of indicate that no other alternatives are available.

HOW TO BUILD A MODEL NUMBER

- A** Select basic model.
- B** Select frame color.
Refer to the **Product Color Options** page in this price list.
- C** Select poly seat and back color
Refer to the **Product Color Options** page in this price list.
- D** Select base option.

G	- Bell glides (black only)
C	- Carpet casters (black only)
S	- Hard floor casters (black only)
- E** Select tablet arm color.
Refer to the **Product Color Options** page in this price list.
- F** Select upholstery grade/color.
Refer to ki.com/fabrics

UPHOLSTERY INFORMATION

C.O.M. Upholstery
 C.O.M. requirement for 10 chairs or less with upholstered seat or upholstered seat and back is 3/4 yard per chair of 54" wide nondirectional fabric. For orders of 11 or more with upholstered seat and back. For complete information on ordering C.O.M. see "Ordering Customer's Own Material (C.O.M) Upholstery." section.

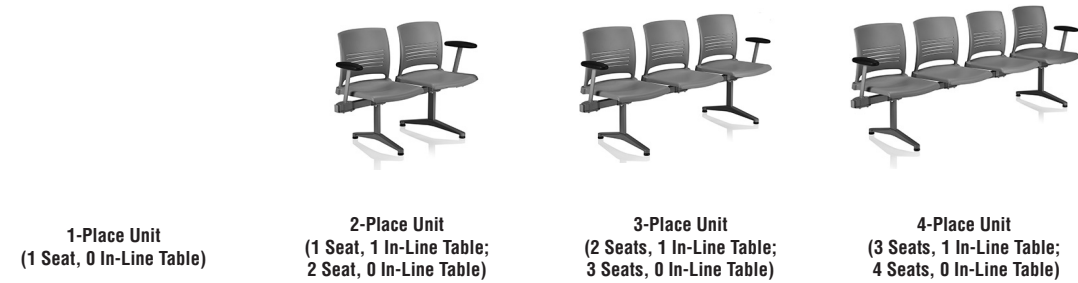
SPECIAL SERVICES

Special Carton Marking

With specially marked information N/C

Shipping
 Ships **assembled, FOB Green Bay, WI 54302, freight prepaid.** Freight class 125.

Specifications and prices are subject to change without prior notice.



1-Place Unit
(1 Seat, 0 In-Line Table)

2-Place Unit
(1 Seat, 1 In-Line Table;
2 Seat, 0 In-Line Table)

3-Place Unit
(2 Seats, 1 In-Line Table;
3 Seats, 0 In-Line Table)

4-Place Unit
(3 Seats, 1 In-Line Table;
4 Seats, 0 In-Line Table)

Features				
Arm	•	•	•	•
Corner tables	•	•	•	•
In-line tables	•	•	•	•
Poly, upholstered seat, or upholstered seat/back	•	•	•	•
General Dimensions				
Seat width	18"	18"	18"	18"
Seat depth	18"	18"	18"	18"
Seat height	17"	17"	17"	17"
Unit width (with arms)	28"	50"	72"	94"
Unit width (no arms)	20"	44"	66"	86"
Unit height	33"	33"	33"	33"
Corner table top	30" x 30"	30" x 30"	30" x 30"	30" x 30"
In-line table	20" x 20"	20" x 20"	20" x 20"	20" x 20"
Table height (all table models)	17"	17"	17"	17"
Width between arms (inside arm)	18"	18"	18"	18"
Arm height from floor	25-3/4"	25-3/4"	25-3/4"	25-3/4"

SPECIFICATIONS

Tandem Base

Cast aluminum alloy leg section. 14-gauge 1x2" seamless steel column. Upright and base are painted monochromatic with beam and yoke. Columns are welded to a plate which clamps onto beam.

Frame Finish

Baked-on, electrostatically-applied 45 gloss epoxy powder coating.

Seat

Injection-molded polypropylene seat attached directly to the structure.

Underseat Structure

Support structure is die-formed 13-gauge steel welded to a 1" OD x 14-gauge tubular steel cross member.

Backrest

Injection molded polypropylene with integral steel cantilever springs. The combination of

the slotted polypropylene back and the spring steel provides a supportive flexing back. Springs are nominal 4.5mm diameter chrome silicon valve spring wire.

Tandem Arm

Oval tubular steel arm support with self-skinning urethane armrests measuring 10¼" long x 4" wide. The tubular arm support is welded to a yoke and then fastened to the beam via a coverplate.

Optional Upholstered Seat or Seat & Back

Molded urethane foam is attached to an injection molded polypropylene seat board, then upholstered using a draw-string process. The assembled seat pad is attached to the seat by means of hidden fasteners.

In-Line Table

Solid core top is 20" x 20" x 7/8" with a vinyl bullnose edge.

Corner Table

Solid core top is 30" x 30" x 7/8" with a vinyl

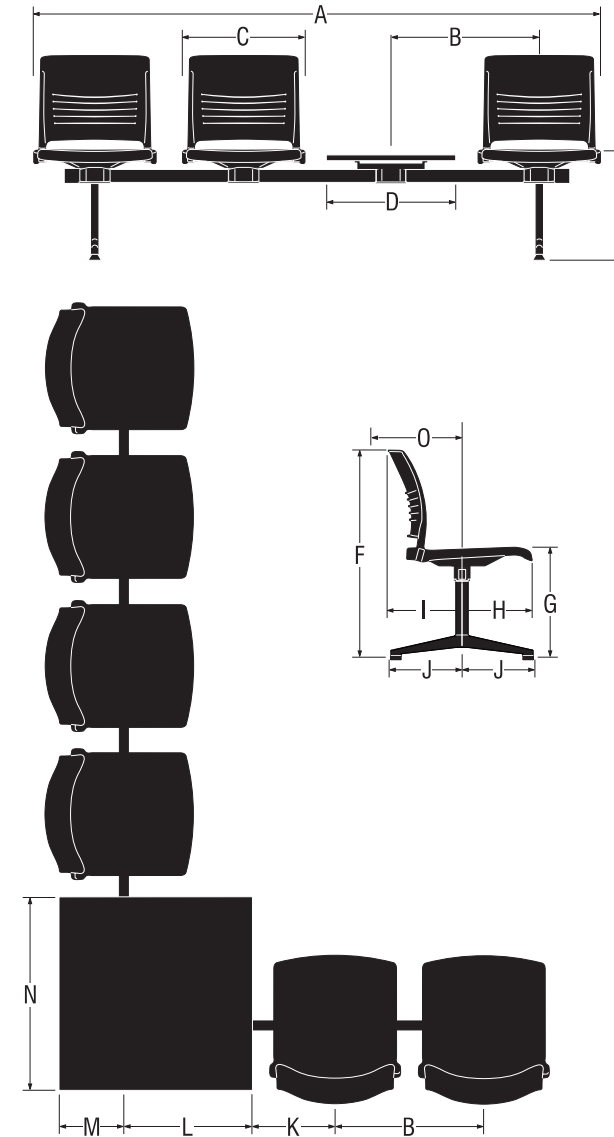
bullnose edge.

KI Color Match Program

KI offers the additional option of color matching paint, polypropylene, or wood stain through Product Modification Requests. Contact Customer Service for details.

Whatever you imagine, whatever you require, KI's Color Match program lets you pick your color!

[Color Match Process - Poly Seating Information can be found here.](#)



DIMENSIONS

		No Arms	With Arms
A1	2-Place Unit	44½"	44½"
A2	3-Place Unit	66½"	66½"
A3	4-Place Unit	85½"	92½"
B	Additional Places	22"	22"
C	Seat Width	18"	
D	Table Width	20"	
E	Table Height	17"	
F	Unit Height	33"	
G	Seat Height	17"	
H	Beam Center to Front of Seat	10¼"	
I	Beam Center to Back of Back	11"	
J	Beam Center to Foot End	11½"	
K	Seat Center to Corner Table		
	Mounting Side	13½"	
L	Beam Center to Corner Table		
	Mounting Side	20"	
M	Beam Center to Corner Table Back	10"	
N	Corner Table Width	30"	
O	Beam Center to Back of Flexed Back	14¼"	

INFORMATION

Warranty

Refer to KI Terms & Conditions document or visit ki.com

**Frame Color**

Black	BL	Everglade Shade	PEV	Sterling Ash	LAZ
Blue Grey	GR	Flannel	PFN	Titanium Evolv	LTV
Cool Grey	CG	Hazy Jade	PHJ	White Nebula	LWL
Earthen Clay	EY	Honey Bee	PHY	White Sand	LWN
Everglade Shade	EV	Light Tone	PLG	Windsor Mahogany	LWY
Flannel	FN	Mardi Gras	PMG		
Hazy Jade	HJ	Misty Brown	PMY		
Light Tone	LG	Nemo	PNE		
Mardi Gras	MG	Nordic	PND		
Misty Brown	MY	Poppy Red	PPR		
Nemo	NE	Purple Haze	PPH		
Poppy Red	PR	Rainforest	PRQ		
Purple Haze	PH	Raw Jasper	PRJ		
Rainforest	RQ	Rubber Ducky	PRK		
Raw Jasper	RJ	Sand	PSA		
Rubber Ducky	RK	Sky Blue	PSK		
Sand	SA	Surf's Up	PSP		
Sky Blue	SK	Tarragon	PTQ		
Surf's Up	SP	Twilight Shadow	PTI		
Tarragon	TQ	Ultra Blue	PUB		
Twilight Shadow	TI	Warm Grey	PWG		
Ultra Blue	UB	Zesty Lime	PZL		
Warm Grey	WG				
Zesty Lime	ZL				

Arm pad matches seat and back color for black, blue grey, sand and warm grey. Otherwise it is always black.

TRANSLUCENT colors are available on the upholstered seat models only.

Edge Color

Black	EBL				
Blue Grey	EGR	Surface Finish - Laminate			
Cayenne	ECY	Beigewood	LBZ		
Cool Grey	ECG	Belair	LBQ		
Everglade Shade	EEV	Biltmore Cherry	LBT		
Flannel	EFN	Black	LBK		
Friston Ash	EFH	Brighton Walnut	LBW		
Frosty White	EFW	Castle Oak	LCO		
Hazy Jade	EHJ	Cherry Storm	LCX		
Light Tone	ELG	Classic Linen	LCI		
Mardi Gras	EMG	Cocobala	LCC		
Misty Brown	EMY	Crisp Linen	LRI		
Nemo	ENE	Designer White	LDR		
Nordic	END	Dove Grey	LDG		
Poppy Red	EPR	Florence Walnut	LFC		
Rubber Ducky	ERK	Friston Ash	LFH		
Sand	ESA	Frosty White	LFW		
Sky Blue	ESK	Graphite Nebula	LGN		
Sterling Ash	EAZ	Grey	LGE		
Surf's Up	ESP	High Rise	LHE		
Twilight Shadow	ETI	Hollyberry	LHY		
Ultra Blue	EUB	Island	LID		
Warm Grey	EWG	Italian Silver Ash	LIT		
Zesty Lime	EZL	Kensington Maple	LKM		
		Lapis Blue	LLB		
		Monticello Maple	LMT		
		North Sea	LNA		
		Ocean	LON		
		Pinnacle Walnut	LPW		
		River Cherry	LRY		
		Shadow Zephyr	LSR		

Seat and Back Color - Polypropylene

Black	PBL				
Blue Grey	PGR				
Cayenne	PCY				
Cool Grey	PCG				
Earthen Clay	PEY				




Finish Cards

View color swatches for items listed within this document.

Paints**Plastics/Poly****Wood/Veneer****Laminates****Molded Edges****Edge Styles****Hard Plastics****Glass**

Certain options referenced may not be available on GSA Schedule.



MODEL	Features	MODEL NUMBER					Approx. Packaged Weight	Delivered Pricing	
		Basic Model	Frame Color	Seat & Back Color	Surface Finish	Edge Color			
 <p>ST1P ST2P ST3P ST4P ST5P</p>	Polypropylene - No Arms • Optional in-line tables • 1 seat, 0 in-line table models must connect to a corner table • Corner table is ordered separately	1 Seat, 0 In-Line Table	ST1NAP/S1/IT0	<input type="checkbox"/>	<input type="checkbox"/>			25.00#	\$ 532
		1 Seat, 1 In-Line Table	ST2NAP/S1/IT1	<input type="checkbox"/>	<input type="checkbox"/>	<input type="checkbox"/>	<input type="checkbox"/>	39.00#	1127
		2 Seats, 0 In-Line Table	ST2NAP/S2/IT0	<input type="checkbox"/>	<input type="checkbox"/>			45.00#	1063
		2 Seats, 1 In-Line Table	ST3NAP/S2/IT1	<input type="checkbox"/>	<input type="checkbox"/>	<input type="checkbox"/>	<input type="checkbox"/>	59.00#	1658
		3 Seats, 0 In-Line Table	ST3NAP/S3/IT0	<input type="checkbox"/>	<input type="checkbox"/>			65.00#	1596
		3 Seats, 1 In-line Table	ST4NAP/S3/IT1	<input type="checkbox"/>	<input type="checkbox"/>	<input type="checkbox"/>	<input type="checkbox"/>	79.00#	2192
		4 Seats, 0 In-line Table	ST4NAP/S4/IT0	<input type="checkbox"/>	<input type="checkbox"/>			89.00#	2128
		3 Seats, 2 In-Line Tables	ST5NAP/S3/IT2	<input type="checkbox"/>	<input type="checkbox"/>	<input type="checkbox"/>	<input type="checkbox"/>	98.00#	2787
		4 Seats, 1 In-line Table	ST5NAP/S4/IT1	<input type="checkbox"/>	<input type="checkbox"/>	<input type="checkbox"/>	<input type="checkbox"/>	104.00#	2721
		5 Seats, 0 In-line Table	ST5NAP/S5/IT0	<input type="checkbox"/>	<input type="checkbox"/>			110.00#	2660
 <p>ST1P ST2P ST3P ST4P ST5P</p>	Polypropylene - End Arms Only • Optional in-line tables • 1 seat, 0 in-line table models must connect to a corner table • Corner table is ordered separately • Arm pad matches seat and back color for black, blue grey, sand and warm grey. Otherwise it is always black.	1 Seat, 0 In-Line Table	ST1EAP/S1/IT0	<input type="checkbox"/>	<input type="checkbox"/>			30.00#	\$ 732
		1 Seat, 1 In-Line Table	ST2EAP/S1/IT1	<input type="checkbox"/>	<input type="checkbox"/>	<input type="checkbox"/>	<input type="checkbox"/>	44.00#	1226
		2 Seats, 0 In-Line Table	ST2EAP/S2/IT0	<input type="checkbox"/>	<input type="checkbox"/>			47.00#	1259
		2 Seats, 1 In-Line Table	ST3EAP/S2/IT1	<input type="checkbox"/>	<input type="checkbox"/>	<input type="checkbox"/>	<input type="checkbox"/>	55.00#	1854
		3 Seats, 0 In-Line Table	ST3EAP/S3/IT0	<input type="checkbox"/>	<input type="checkbox"/>			64.00#	1795
		3 Seats, 1 In-line Table	ST4EAP/S3/IT1	<input type="checkbox"/>	<input type="checkbox"/>	<input type="checkbox"/>	<input type="checkbox"/>	70.00#	2389
		4 Seats, 0 In-line Table	ST4EAP/S4/IT0	<input type="checkbox"/>	<input type="checkbox"/>			81.00#	2325
		3 Seats, 2 In-Line Tables	ST5EAP/S3/IT2	<input type="checkbox"/>	<input type="checkbox"/>	<input type="checkbox"/>	<input type="checkbox"/>	89.00#	2982
		4 Seats, 1 In-line Table	ST5EAP/S4/IT1	<input type="checkbox"/>	<input type="checkbox"/>	<input type="checkbox"/>	<input type="checkbox"/>	100.00#	2921
		5 Seats, 0 In-line Table	ST5EAP/S5/IT0	<input type="checkbox"/>	<input type="checkbox"/>			105.00#	2860
 <p>ST1P ST2P ST3P ST4P ST5P</p>	Polypropylene - Arms • Optional in-line tables • 1 seat, 0 in-line table models must connect to a corner table • Corner table is ordered separately • Arm pad matches seat and back color for black, blue grey, sand and warm grey. Otherwise it is always black.	1 Seat, 0 In-Line Table	ST1AAP/S1/IT0	<input type="checkbox"/>	<input type="checkbox"/>			30.00#	\$ 732
		1 Seat, 1 In-Line Table	ST2AAP/S1/IT1	<input type="checkbox"/>	<input type="checkbox"/>	<input type="checkbox"/>	<input type="checkbox"/>	44.00#	1325
		2 Seats, 0 In-Line Table	ST2AAP/S2/IT0	<input type="checkbox"/>	<input type="checkbox"/>			55.00#	1361
		2 Seats, 1 In-Line Table	ST3AAP/S2/IT1	<input type="checkbox"/>	<input type="checkbox"/>	<input type="checkbox"/>	<input type="checkbox"/>	69.00#	2056
		3 Seats, 0 In-Line Table	ST3AAP/S3/IT0	<input type="checkbox"/>	<input type="checkbox"/>			80.00#	1991
		3 Seats, 1 In-line Table	ST4AAP/S3/IT1	<input type="checkbox"/>	<input type="checkbox"/>	<input type="checkbox"/>	<input type="checkbox"/>	94.00#	2687
		4 Seats, 0 In-line Table	ST4AAP/S4/IT0	<input type="checkbox"/>	<input type="checkbox"/>			105.00#	2623
		3 Seats, 2 In-Line Tables	ST5AAP/S3/IT2	<input type="checkbox"/>	<input type="checkbox"/>	<input type="checkbox"/>	<input type="checkbox"/>	113.00#	3379
		4 Seats, 1 In-line Table	ST5AAP/S4/IT1	<input type="checkbox"/>	<input type="checkbox"/>	<input type="checkbox"/>	<input type="checkbox"/>	124.00#	3317
		5 Seats, 0 In-line Table	ST5AAP/S5/IT0	<input type="checkbox"/>	<input type="checkbox"/>			135.00#	3254

A **B** **C** **D** **E**

HOW TO ORDER

- Indicate the following information on order form:
- Quantity of each item.
 - Model number, including options. See "How To Build a Model Number".
 - Any special service required.

Note: • The indicates that a choice is required.
 • The absence of the indicates that no choice is required.
 • Alpha-numeric characters in place of indicate that no other alternatives are available.

HOW TO BUILD A MODEL NUMBER

- A** Select basic model.
- B** Select frame color.
Refer to the **Product Color Options** page in this price list.
- C** Select seat/back color.
Refer to the **Product Color Options** page in this price list.
- D** Select surface finish for table.
Refer to the **Product Color Options** page in this price list.
Surface finish offerings are based on edge style selections.
- E** Select table edge color.
Refer to the **Product Color Options** page in this price list.
Edge color offerings are based on edge style selections.

SPECIAL SERVICES



Special Carton Marking

With specially marked information N/C

Shipping
 Ships **knocked down, FOB Green Bay, WI 54302, freight prepaid.** Freight class 70.

Specifications and prices are subject to change without prior notice.



MODEL	Features	MODEL NUMBER						Approx. Packaged Weight	Delivered Pricing Fabric Grade 1 & C.O.M.	Delivered Pricing Fabric Grade 2	Delivered Pricing Fabric Grade 3	Delivered Pricing Vinyl Group 2V	Delivered Pricing Pallas Fabric Group P0	Delivered Pricing Pallas Fabric Group P1	Delivered Pricing Pallas Fabric Group P2	Delivered Pricing Pallas Fabric Group P3	Delivered Pricing Pallas Fabric Group P4
		Basic Model	Frame Color	Seat & Back Color	Surface Finish	Edge Color	Upholstery Color										
 <p>Upholstered Seat - No Arms</p> <ul style="list-style-type: none"> Optional in-line tables 1 seat, 0 in-line table models must connect to a corner table Corner table is ordered separately 	1 Seat, 0 In-Line Table	ST1NAU/S1/IT0	<input type="checkbox"/>	<input type="checkbox"/>			<input type="checkbox"/>	30.00#	\$ 613	\$ 652	\$ 673	\$ 673	\$ 667	\$ 718	\$ 745	\$ 773	\$ 800
	1 Seat, 1 In-Line Table	ST2NAU/S1/IT1	<input type="checkbox"/>	<input type="checkbox"/>	<input type="checkbox"/>	<input type="checkbox"/>	<input type="checkbox"/>	41.00#	1210	1248	1226	1226	1220	1273	1300	1330	1353
	2 Seats, 0 In-Line Table	ST2NAU/S2/IT0	<input type="checkbox"/>	<input type="checkbox"/>			<input type="checkbox"/>	50.00#	1230	1306	1337	1337	1329	1434	1491	1547	1592
	2 Seats, 1 In-Line Table	ST3NAU/S2/IT1	<input type="checkbox"/>	<input type="checkbox"/>	<input type="checkbox"/>	<input type="checkbox"/>	<input type="checkbox"/>	64.00#	1989	2065	2098	2098	2089	2195	2250	2305	2351
	3 Seats, 0 In-Line Table	ST3NAU/S3/IT0	<input type="checkbox"/>	<input type="checkbox"/>			<input type="checkbox"/>	70.00#	1844	1958	2006	2006	1993	2151	2235	2319	2389
	3 Seats, 1 In-line Table	ST4NAU/S3/IT1	<input type="checkbox"/>	<input type="checkbox"/>	<input type="checkbox"/>	<input type="checkbox"/>	<input type="checkbox"/>	84.00#	2440	2553	2603	2603	2589	2745	2829	2914	2982
	4 Seats, 0 In-line Table	ST4NAU/S4/IT0	<input type="checkbox"/>	<input type="checkbox"/>			<input type="checkbox"/>	94.00#	2457	2610	2677	2677	2660	2871	2980	3092	3186
	3 Seats, 2 In-Line Tables	ST5NAU/S3/IT2	<input type="checkbox"/>	<input type="checkbox"/>	<input type="checkbox"/>	<input type="checkbox"/>	<input type="checkbox"/>	103.00#	3034	3147	3196	3196	3182	3337	3423	3506	3575
	4 Seats, 1 In-line Table	ST5NAU/S4/IT1	<input type="checkbox"/>	<input type="checkbox"/>	<input type="checkbox"/>	<input type="checkbox"/>	<input type="checkbox"/>	109.00#	3051	3203	3274	3274	3257	3464	3573	3688	3778
	5 Seats, 0 In-line Table	ST5NAU/S5/IT0	<input type="checkbox"/>	<input type="checkbox"/>			<input type="checkbox"/>	115.00#	3074	3263	3345	3345	3324	3584	3726	3864	3979
ST1U ST2U ST3U ST4U ST5U																	
 <p>Upholstered Seat - End Arms Only</p> <ul style="list-style-type: none"> Optional in-line tables 1 seat, 0 in-line table models must connect to a corner table Corner table is ordered separately Arm pad matches seat and back color for black, blue grey, sand and warm grey. Otherwise it is always black. 	1 Seat, 0 In-Line Table	ST1EAU/S1/IT0	<input type="checkbox"/>	<input type="checkbox"/>			<input type="checkbox"/>	35.00#	\$ 813	\$ 852	\$ 868	\$ 868	\$ 865	\$ 915	\$ 942	\$ 972	\$ 995
	1 Seat, 1 In-Line Table	ST2EAU/S1/IT1	<input type="checkbox"/>	<input type="checkbox"/>	<input type="checkbox"/>	<input type="checkbox"/>	<input type="checkbox"/>	49.00#	1309	1349	1364	1364	1358	1411	1438	1467	1491
	2 Seats, 0 In-Line Table	ST2EAU/S2/IT0	<input type="checkbox"/>	<input type="checkbox"/>			<input type="checkbox"/>	52.00#	1429	1502	1537	1537	1528	1633	1687	1742	1793
	2 Seats, 1 In-Line Table	ST3EAU/S2/IT1	<input type="checkbox"/>	<input type="checkbox"/>	<input type="checkbox"/>	<input type="checkbox"/>	<input type="checkbox"/>	60.00#	2023	2098	2132	2132	2123	2227	2282	2340	2383
	3 Seats, 0 In-Line Table	ST3EAU/S3/IT0	<input type="checkbox"/>	<input type="checkbox"/>			<input type="checkbox"/>	69.00#	2041	2156	2205	2205	2193	2349	2432	2516	2587
	3 Seats, 1 In-line Table	ST4EAU/S3/IT1	<input type="checkbox"/>	<input type="checkbox"/>	<input type="checkbox"/>	<input type="checkbox"/>	<input type="checkbox"/>	75.00#	2637	2749	2800	2800	2789	2944	3030	3115	3182
	4 Seats, 0 In-line Table	ST4EAU/S4/IT0	<input type="checkbox"/>	<input type="checkbox"/>			<input type="checkbox"/>	86.00#	2658	2808	2876	2876	2857	3065	3177	3289	3384
	3 Seats, 2 In-Line Tables	ST5EAU/S3/IT2	<input type="checkbox"/>	<input type="checkbox"/>	<input type="checkbox"/>	<input type="checkbox"/>	<input type="checkbox"/>	94.00#	3232	3345	3394	3394	3382	3537	3621	3708	3776
	4 Seats, 1 In-line Table	ST5EAU/S4/IT1	<input type="checkbox"/>	<input type="checkbox"/>	<input type="checkbox"/>	<input type="checkbox"/>	<input type="checkbox"/>	105.00#	3249	3405	3470	3470	3451	3659	3773	3886	3976
	5 Seats, 0 In-line Table	ST5EAU/S5/IT0	<input type="checkbox"/>	<input type="checkbox"/>			<input type="checkbox"/>	110.00#	3274	3462	3545	3545	3522	3783	3923	4061	4178
ST1U ST2U ST3U ST4U ST5U																	
			A	B	C	D	E	F									

HOW TO ORDER

- Indicate the following information on order form:
- Quantity of each item.
 - Model number, including options. See "How To Build a Model Number".
 - Any special service required.

Note: • The indicates that a choice is required.
 • The absence of the indicates that no choice is required.
 • Alpha-numeric characters in place of indicate that no other alternatives are available.

HOW TO BUILD A MODEL NUMBER

- A** Select basic model.
- B** Select frame color. Refer to the **Product Color Options** page in this price list.
- C** Select seat/back color. Refer to the **Product Color Options** page in this price list.
- D** Select surface finish for table. Refer to the **Product Color Options** page in this price list. Surface finish offerings are based on edge style selections.
- E** Select table edge color. Refer to the **Product Color Options** page in this price list. Edge color offerings are based on edge style selections.
- F** Select upholstery grade/color. Refer to ki.com/fabrics

UPHOLSTERY INFORMATION

C.O.M. Upholstery
 C.O.M. requirement for 10 chairs or less with upholstered seat or upholstered seat and back is 3/4 yard per chair of 54" wide nondirectional fabric. For orders of 11 or more with upholstered seat and back. For complete information on ordering C.O.M. see "Ordering Customer's Own Material (C.O.M) Upholstery." section.

SPECIAL SERVICES



Special Carton Marking

With specially marked information N/C

Shipping
 Ships **knocked down, FOB Green Bay, WI 54302, freight prepaid.** Freight class 70.

Specifications and prices are subject to change without prior notice.



MODEL	Features	MODEL NUMBER						Approx. Packaged Weight	Delivered Pricing Fabric Grade 1 & C.O.M.	Delivered Pricing Fabric Grade 2	Delivered Pricing Fabric Grade 3	Delivered Pricing Vinyl Group 2V	Delivered Pricing Pallas Fabric Group P0	Delivered Pricing Pallas Fabric Group P1	Delivered Pricing Pallas Fabric Group P2	Delivered Pricing Pallas Fabric Group P3	Delivered Pricing Pallas Fabric Group P4			
		Basic Model	Frame Color	Seat & Back Color	Surface Finish	Edge Color	Upholstery Color													
 <p>ST1U ST2U ST3U ST4U ST5U</p>	Upholstered Seat - Arms • Optional in-line tables • 1 seat, 0 in-line table models must connect to a corner table • Corner table is ordered separately • Arm pad matches seat and back color for black, blue grey, sand and warm grey. Otherwise it is always black.	1 Seat, 0 In-Line Table	ST1AAU/S1/IT0	<input type="checkbox"/>	<input type="checkbox"/>															
		1 Seat, 1 In-Line Table	ST2AAU/S1/IT1	<input type="checkbox"/>	<input type="checkbox"/>	<input type="checkbox"/>	<input type="checkbox"/>													
		2 Seats, 0 In-Line Table	ST2AAU/S2/IT0	<input type="checkbox"/>	<input type="checkbox"/>															
		2 Seats, 1 In-Line Table	ST3AAU/S2/IT1	<input type="checkbox"/>	<input type="checkbox"/>	<input type="checkbox"/>	<input type="checkbox"/>													
		3 Seats, 0 In-Line Table	ST3AAU/S3/IT0	<input type="checkbox"/>	<input type="checkbox"/>															
		3 Seats, 1 In-Line Table	ST4AAU/S3/IT1	<input type="checkbox"/>	<input type="checkbox"/>	<input type="checkbox"/>	<input type="checkbox"/>													
		4 Seats, 0 In-Line Table	ST4AAU/S4/IT0	<input type="checkbox"/>	<input type="checkbox"/>															
		3 Seats, 2 In-Line Tables	ST5AAU/S3/IT2	<input type="checkbox"/>	<input type="checkbox"/>	<input type="checkbox"/>	<input type="checkbox"/>													
		4 Seats, 1 In-Line Table	ST5AAU/S4/IT1	<input type="checkbox"/>	<input type="checkbox"/>	<input type="checkbox"/>	<input type="checkbox"/>													
		5 Seats, 0 In-Line Table	ST5AAU/S5/IT0	<input type="checkbox"/>	<input type="checkbox"/>															
 <p>ST1UB ST2UB ST3UB ST4UB ST5UB</p>	Upholstered Seat and Back - No Arms • Optional in-line tables • 1 seat, 0 in-line table models must connect to a corner table • Corner table is ordered separately	1 Seat, 0 In-Line Table	ST1NAUB/S1/IT0	<input type="checkbox"/>	<input type="checkbox"/>															
		1 Seat, 1 In-Line Table	ST2NAUB/S1/IT1	<input type="checkbox"/>	<input type="checkbox"/>	<input type="checkbox"/>	<input type="checkbox"/>													
		2 Seats, 0 In-Line Table	ST2NAUB/S2/IT0	<input type="checkbox"/>	<input type="checkbox"/>															
		2 Seats, 1 In-Line Table	ST3NAUB/S2/IT1	<input type="checkbox"/>	<input type="checkbox"/>	<input type="checkbox"/>	<input type="checkbox"/>													
		3 Seats, 0 In-Line Table	ST3NAUB/S3/IT0	<input type="checkbox"/>	<input type="checkbox"/>															
		3 Seats, 1 In-Line Table	ST4NAUB/S3/IT1	<input type="checkbox"/>	<input type="checkbox"/>	<input type="checkbox"/>	<input type="checkbox"/>													
		4 Seats, 0 In-Line Table	ST4NAUB/S4/IT0	<input type="checkbox"/>	<input type="checkbox"/>															
		3 Seats, 2 In-Line Tables	ST5NAUB/S3/IT2	<input type="checkbox"/>	<input type="checkbox"/>	<input type="checkbox"/>	<input type="checkbox"/>													
		4 Seats, 1 In-Line Table	ST5NAUB/S4/IT1	<input type="checkbox"/>	<input type="checkbox"/>	<input type="checkbox"/>	<input type="checkbox"/>													
		5 Seats, 0 In-Line Table	ST5NAUB/S5/IT0	<input type="checkbox"/>	<input type="checkbox"/>															

A **B** **C** **D** **E** **F**

HOW TO ORDER

- Indicate the following information on order form:
- Quantity of each item.
 - Model number, including options. See "How To Build a Model Number".
 - Any special service required.

Note: • The indicates that a choice is required.
 • The absence of the indicates that no choice is required.
 • Alpha-numeric characters in place of indicate that no other alternatives are available.

HOW TO BUILD A MODEL NUMBER

- A** Select basic model.
- B** Select frame color. Refer to the **Product Color Options** page in this price list.
- C** Select seat/back color. Refer to the **Product Color Options** page in this price list.
- D** Select surface finish for table. Refer to the **Product Color Options** page in this price list. Surface finish offerings are based on edge style selections.
- E** Select table edge color. Refer to the **Product Color Options** page in this price list. Edge color offerings are based on edge style selections.
- F** Select upholstery grade/color. Refer to ki.com/fabrics

UPHOLSTERY INFORMATION

C.O.M. Upholstery
 C.O.M. requirement for 10 chairs or less with upholstered seat or upholstered seat and back is 3/4 yard per chair of 54" wide nondirectional fabric. For orders of 11 or more with upholstered seat and back. For complete information on ordering C.O.M. see "Ordering Customer's Own Material (C.O.M) Upholstery." section.

SPECIAL SERVICES



Special Carton Marking

With specially marked information N/C

Shipping
 Ships **knocked down, FOB Green Bay, WI 54302, freight prepaid.** Freight class 70.

Specifications and prices are subject to change without prior notice.



MODEL	Features	MODEL NUMBER						Approx. Packaged Weight	Delivered Pricing Fabric Grade 1 & C.O.M.	Delivered Pricing Fabric Grade 2	Delivered Pricing Fabric Grade 3	Delivered Pricing Vinyl Group 2V	Delivered Pricing Pallas Fabric Group P0	Delivered Pricing Pallas Fabric Group P1	Delivered Pricing Pallas Fabric Group P2	Delivered Pricing Pallas Fabric Group P3	Delivered Pricing Pallas Fabric Group P4			
		Basic Model	Frame Color	Seat & Back Color	Surface Finish	Edge Color	Upholstery Color													
 ST1UB ST2UB ST3UB ST4UB ST5UB	Upholstered Seat and Back - End Arms Only • Optional in-line tables • 1 seat, 0 in-line table models must connect to a corner table • Corner table is ordered separately • Arm pad matches seat and back color for black, blue grey, sand and warm grey. Otherwise it is always black.	1 Seat, 0 In-Line Table	ST1EAUB/S1/IT0	<input type="checkbox"/>	<input type="checkbox"/>															
		1 Seat, 1 In-Line Table	ST2EAUB/S1/IT1	<input type="checkbox"/>	<input type="checkbox"/>	<input type="checkbox"/>	<input type="checkbox"/>	<input type="checkbox"/>												
		2 Seats, 0 In-Line Table	ST2EAUB/S2/IT0	<input type="checkbox"/>	<input type="checkbox"/>															
		2 Seats, 1 In-Line Table	ST3EAUB/S2/IT1	<input type="checkbox"/>	<input type="checkbox"/>	<input type="checkbox"/>	<input type="checkbox"/>	<input type="checkbox"/>												
		3 Seats, 0 In-Line Table	ST3EAUB/S3/IT0	<input type="checkbox"/>	<input type="checkbox"/>															
 ST1UB ST2UB ST3UB ST4UB ST5UB	Upholstered Seat and Back - Arms • Optional in-line tables • 1 seat, 0 in-line table models must connect to a corner table • Corner table is ordered separately • Arm pad matches seat and back color for black, blue grey, sand and warm grey. Otherwise it is always black.	1 Seat, 0 In-Line Table	ST1AAUB/S1/IT0	<input type="checkbox"/>	<input type="checkbox"/>															
		1 Seat, 1 In-Line Table	ST2AAUB/S1/IT1	<input type="checkbox"/>	<input type="checkbox"/>	<input type="checkbox"/>	<input type="checkbox"/>	<input type="checkbox"/>												
		2 Seats, 0 In-Line Table	ST2AAUB/S2/IT0	<input type="checkbox"/>	<input type="checkbox"/>															
		2 Seats, 1 In-Line Table	ST3AAUB/S2/IT1	<input type="checkbox"/>	<input type="checkbox"/>	<input type="checkbox"/>	<input type="checkbox"/>	<input type="checkbox"/>												
		3 Seats, 0 In-Line Table	ST3AAUB/S3/IT0	<input type="checkbox"/>	<input type="checkbox"/>															
		3 Seats, 1 In-Line Table	ST4AAUB/S3/IT1	<input type="checkbox"/>	<input type="checkbox"/>	<input type="checkbox"/>	<input type="checkbox"/>	<input type="checkbox"/>												
		4 Seats, 0 In-Line Table	ST4AAUB/S4/IT0	<input type="checkbox"/>	<input type="checkbox"/>															
		3 Seats, 2 In-Line Tables	ST5AAUB/S3/IT2	<input type="checkbox"/>	<input type="checkbox"/>	<input type="checkbox"/>	<input type="checkbox"/>	<input type="checkbox"/>												
		4 Seats, 1 In-Line Table	ST5AAUB/S4/IT1	<input type="checkbox"/>	<input type="checkbox"/>	<input type="checkbox"/>	<input type="checkbox"/>	<input type="checkbox"/>												
		5 Seats, 0 In-Line Table	ST5AAUB/S5/IT0	<input type="checkbox"/>	<input type="checkbox"/>															

A **B** **C** **D** **E** **F**

HOW TO ORDER

Indicate the following information on order form:
 1. Quantity of each item.
 2. Model number, including options. See "How To Build a Model Number".
 3. Any special service required.

Note: • The indicates that a choice is required.
 • The absence of the indicates that no choice is required.
 • Alpha-numeric characters in place of indicate that no other alternatives are available.

HOW TO BUILD A MODEL NUMBER

- A** Select basic model.
- B** Select frame color. Refer to the **Product Color Options** page in this price list.
- C** Select seat/back color. Refer to the **Product Color Options** page in this price list.
- D** Select surface finish for table. Refer to the **Product Color Options** page in this price list. Surface finish offerings are based on edge style selections.
- E** Select table edge color. Refer to the **Product Color Options** page in this price list. Edge color offerings are based on edge style selections.
- F** Select upholstery grade/color. Refer to ki.com/fabrics

UPHOLSTERY INFORMATION

C.O.M. Upholstery
 C.O.M. requirement for 10 chairs or less with upholstered seat or upholstered seat and back is 3/4 yard per chair of 54" wide nondirectional fabric. For orders of 11 or more with upholstered seat and back. For complete information on ordering C.O.M. see "Ordering Customer's Own Material (C.O.M) Upholstery." section.

SPECIAL SERVICES

Special Carton Marking
 With specially marked information N/C

Shipping
 Ships **knocked down, FOB Green Bay, WI 54302, freight prepaid.** Freight class 70.

Specifications and prices are subject to change without prior notice.



	MODEL	Features	MODEL NUMBER				Approx. Packaged Weight	Delivered Pricing
			Basic Model	Frame Color	Surface Finish	Edge Color		
MSCT	Corner Table • Number of tables per arrangement • Plastic laminate with vinyl bullnose edge • For mounting modular units at a 90° angle • Two required for U-shaped configuration • One required for L-shaped configuration	Connects 2 units	TCT	<input type="checkbox"/> <input type="checkbox"/>	<input type="checkbox"/> <input type="checkbox"/> <input type="checkbox"/>	<input type="checkbox"/> <input type="checkbox"/> <input type="checkbox"/>	14.00#	\$ 802
AC901	Back Ganging Bar • Connects 2 units back-to-back • Powder coated to match base • Sold in pairs		DOP.GANG	<input type="checkbox"/> <input type="checkbox"/>			8.00#	\$ 268

A **B** **C** **D**

HOW TO ORDER

- Indicate the following information on order form:
- Quantity of each item.
 - Model number, including options. See "How To Build a Model Number".
 - Any special service required.

Note:

- The indicates that a choice is required.
- The absence of the indicates that no choice is required.
- Alpha-numeric characters in place of indicate that no other alternatives are available.

HOW TO BUILD A MODEL NUMBER

- A** Select basic model.
- B** Select frame color. Refer to the **Product Color Options** page in this price list.
- C** Select surface finish for table. Refer to the **Product Color Options** page in this price list.
- D** Select table edge color. Refer to the **Product Color Options** page in this price list.

SPECIAL SERVICES

Special Carton Marking

With specially marked information N/C

Shipping

Ships **knocked down, FOB Green Bay, WI 54302, freight prepaid.** Freight class 70.

Specifications and prices are subject to change without prior notice.



Task Cantilever Armchair



Armless Task Stool



ChangeUp Tablet Arm Task Chair

Features			
Poly, upholstered seat, or upholstered seat/back	•	•	•
Flex back	•	•	
General Dimensions			
Seat width	18"	18"	18"
Seat depth	18"	18"	18"
Seat height (upholstered - add 1")	17-1/4" - 22-1/4"	22-1/4" - 32-1/2"	17-1/4" - 22-1/4"
Overall Dimensions			
Width	27-1/2"	27-1/2"	29-1/2"
Depth	27-1/2"	27-1/2"	31" - 35-1/4"
Height	32-3/4" - 37-3/4"	37-3/4" - 48"	32-3/4" - 37-3/4"
Arms to floor	26" - 31"		27" - 33"

INFORMATION

C.O.M. Testing and Production Requirements

Not all materials are suitable for upholstering this product. A 1 yd. x 54" sample must be submitted and approved prior to acceptance of an order. If the fabric is directional in pattern or weave, the direction must be indicated on the submitted sample, and additional yardage may be requested.

Test samples must be sent to:

KI
Attn: C.O.M. Specialist
1687 Westminister Drive - Gate 3
Green Bay, WI 54302

Fabric Disclaimer

Fabric will be applied as swatched by the fabric manufacturer. Fabric that is required to be applied differently than is swatched will need a Product Modification Request written specifying the direction the fabric is to be applied.

Task chairs and task stools ship knock-down. Minimal assembly is required.

KI Color Match Program

KI offers the additional option of color matching paint, polypropylene, or wood stain through Product Modification Requests. Contact Customer Service for details.

Whatever you imagine, whatever you require, KI's Color Match program lets you pick your color!

[Color Match Process - Poly Seating Information can be found here.](#)

INFORMATION

Warranty

Refer to KI Terms & Conditions document or visit ki.com



Backrest

Injection-molded polypropylene with integral steel cantilever springs. The combination of the slotted polypropylene back and the spring steel provides a supportive flexing back. Springs are nominal 4.5 mm diameter chrome silicon valve spring wire.

Seat and Shroud

Injection-molded polypropylene, attached directly to the structure.

Optional Upholstered Seat

Molded urethane foam is attached to an injection-molded polypropylene seat board, then upholstered using a draw-string process. The assembled seat pad is attached to the seat by means of hidden fasteners. Note: Upholstered seat is required with translucent poly backs.

Optional Upholstered Back

A 1/2" thick urethane foam is attached to an injection-molded polypropylene back board, then upholstered using a draw-string process. The assembled back pad is attached to the back by means of fasteners, which are exposed and are color-matched to the polypropylene.

Underseat Structure

Support structure is 13-gauge steel die-formed, welded to a 1" O.D. by 14-gauge tubular steel cross member.

Frame Finishes

Baked-on electrostatically-applied 30-degree gloss epoxy powder-coat paint.

Base

Injection-molded, glass-reinforced nylon 5-blade base (black or warm grey for task chair and stool). Casters have high-impact thermoplastic double-wheels. A single control paddle under the seat operates the height-adjusting pneumatic cylinder.

Casters

Casters are double-wheel (60 mm) high-impact thermoplastic. High-impact plastic frame. Casters are monochromatic with base. Carpet or hard floor casters are offered. Hard floor casters are black only.

Arms

When equipped with optional cantilever arms, the supporting structure is 7/8" O.D. by 13-gauge tubular steel, welded directly to the seat support structure, and matching the seat and back color. The armcaps are injection-molded glass filled polypropylene, matching the seat and back color (when back is Diamond translucent, armcaps are Light Tone; when back is Pewter translucent, armcaps are Flannel). The armcaps are attached to the steel structure by means of screws.

Task Stool

In addition to the standard-height task chair, a stool-height version is available. Task stools are equipped with a pneumatic cylinder, allowing adjustment of seat heights from 22" to 32 1/2". Task stools receive a twist-to-lock, adjustable-height, 20" diameter chrome-plated steel foot ring with black, die-cast aluminum hub and spokes. Stools are only offered with black or warm grey bases. The cylinders are available in black only.

ChangeUp™ Tablet Arm

ChangeUp tablet support is integral to the chair frame and consists of a 7/8" diameter solid steel rod welded to the front and rear support tubes. A three-piece molded plastic armrest is included and attached to the chair frame using a # 10 x 2 1/2" Phillips pan head tapping screw.

The tablet mechanism consists a die-cast aluminum housing, upper and lower plastic bearings, and 11-gauge steel clamp and tablet board support plates. The tablet mechanism is clamped onto the chair frame over two plastic bushing halves and a 5/16" diameter by 1 3/4" hardened steel pin with a die-cast aluminum cap secured with two 1/4-20 x 3/4" button socket head cap screws. The pin creates a solid 90° up/down pivot stop and the bushings provide a smooth, quiet operation. In the use position, the tablet mechanism rotates outward from the chair back an additional 20° and permits approximately 3 1/2" of adjustment for ingress/egress without stowing the tablet.

The tablet worksurface is 21" wide by 13 1/2" deep (235 square inches) is secured to the tablet board support plate with twelve # 12 x 5/8" Phillips flat head tapping screws. The tablet board is made of 18 mm Baltic Birch plywood with .040" high-pressure laminate top surface and .02" thick phenolic backer surface for an overall board thickness of approximately 3/4". Edges are lacquered with a clear finish and sealed. The factory installed tablet assembly is not field installable and may not be removed.

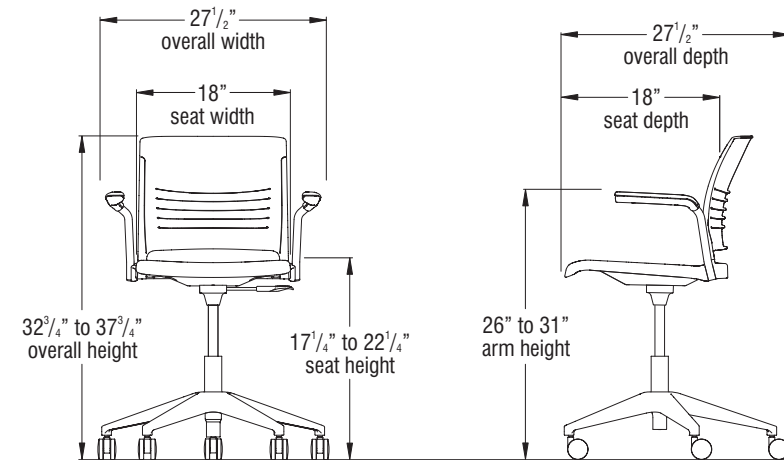
Weight Rating

ChangeUp tablet arm can support a 250 lb static load.

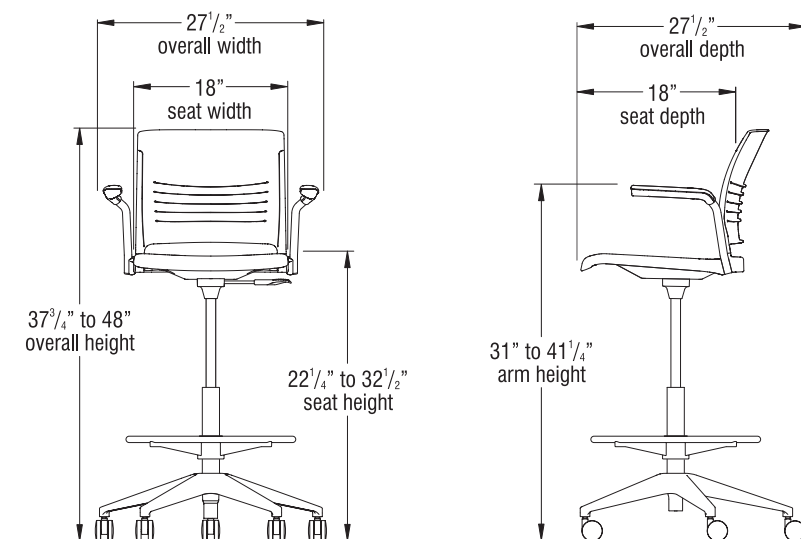
Compliance

Strive seating is designed and manufactured to meet or exceed required ANSI/BIFMA X5.1- 2011 Seating. Seat functional weight rating for Strive task chair is 400 lb, and seat functional weight rating for Strive task stool is 350 lb, as conducted by and within KI's Accredited Test Lab.

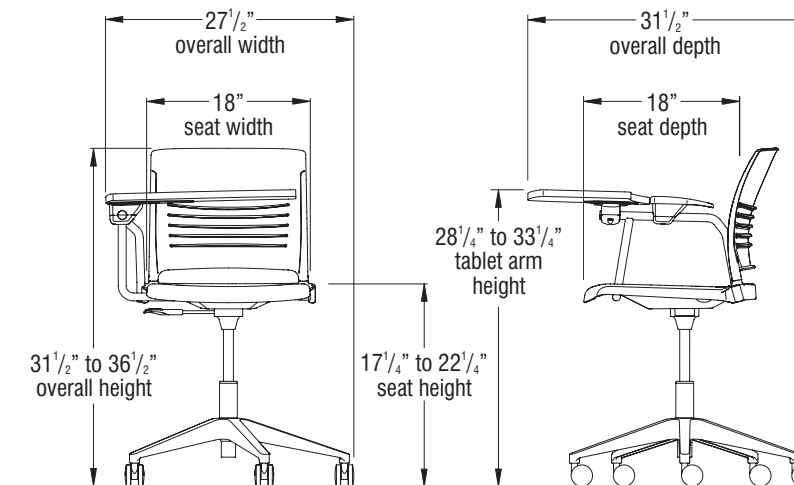
Strive Task Cantilever Armchair



Strive Task Cantilever Arm Stool

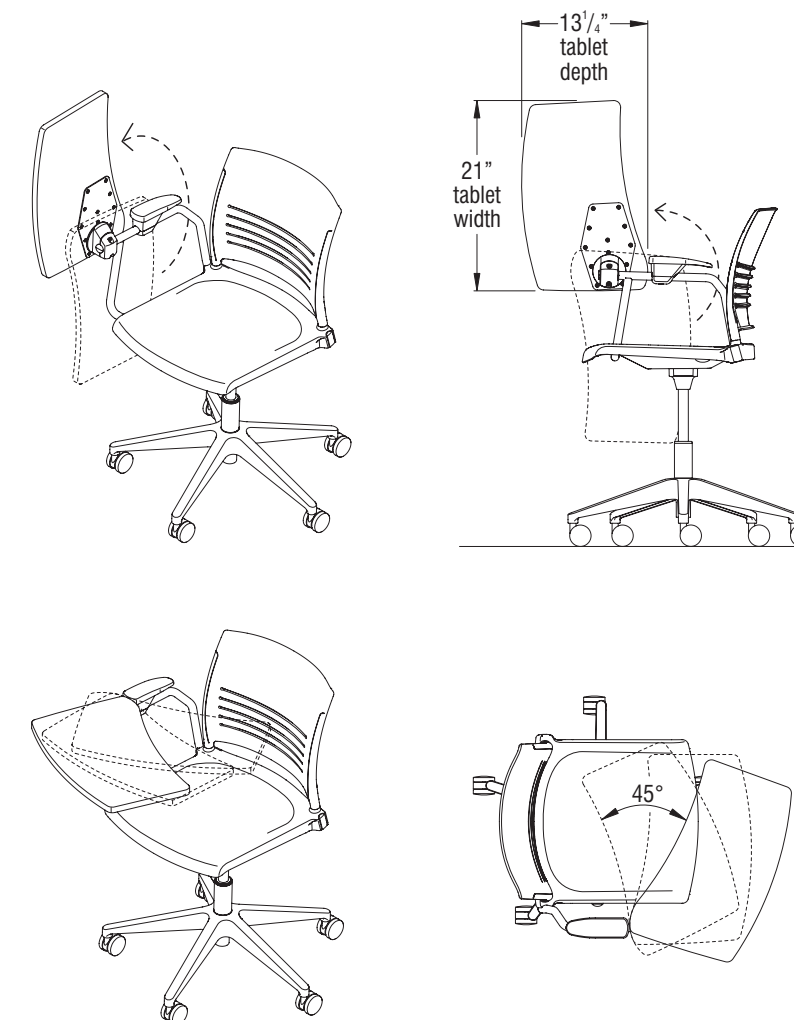


Strive Task ChangeUp Tablet Armchair



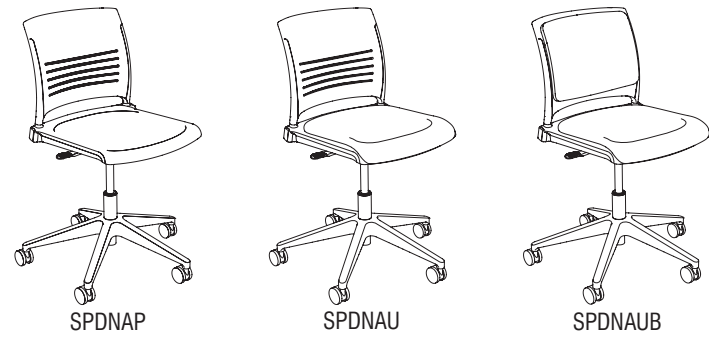
Note: The ChangeUp tablet worksurface is designed to be level when in use and may appear to have a slight upward angle when not in use.

ChangeUp Tablet Arm





Strive Task Armless Chair



SPDNAP

SPDNAU

SPDNAUB

Strive Task Cantilever Armchair

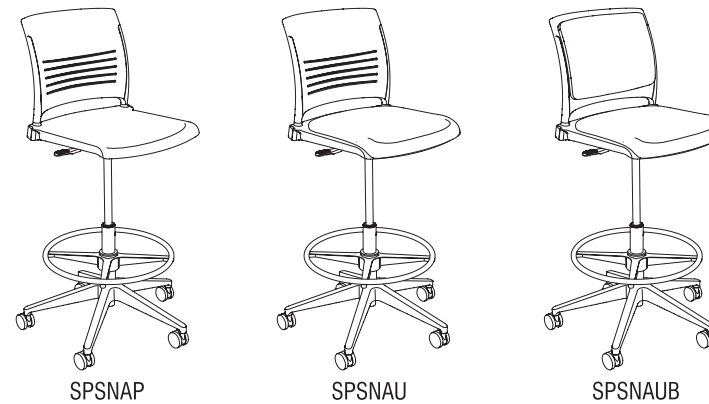


SPDCAP

SPDCAU

SPDCAUB

Strive Task Armless Stool



SPSNAP

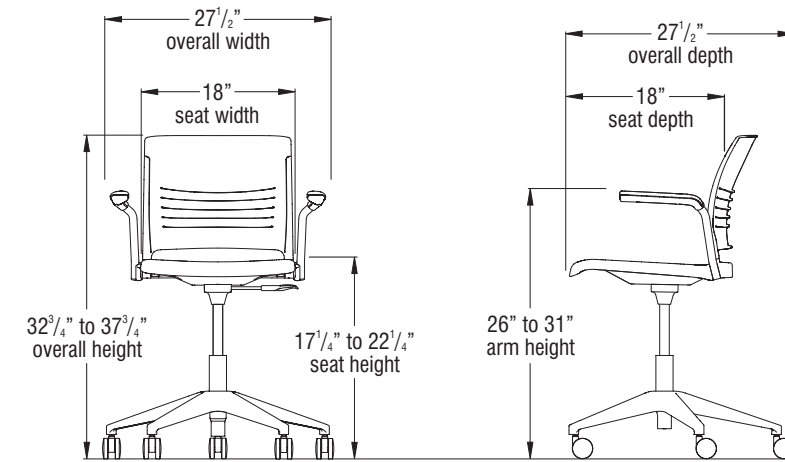
SPSNAU

SPSNAUB

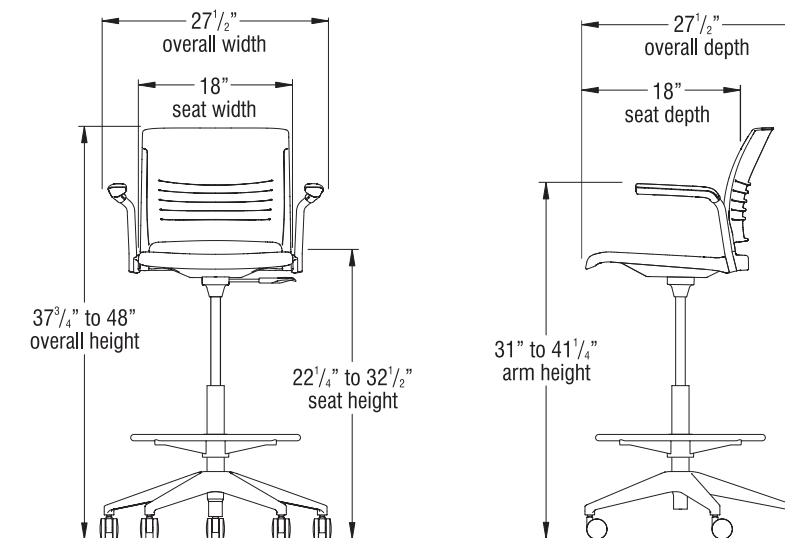
Strive Task Cantilever Arm Stool



Strive Task Cantilever Armchair



Strive Task Cantilever Arm Stool



**Base/Caster Color**

Black	BL
Warm Grey	WG

Hard floor casters are black only.

Base color selection for black includes; black base, black cylinder and black carpet or hard floor casters.

Base color selection for warm grey includes; warm grey base, warm grey cylinder and warm grey carpet casters (hard floor casters not available in warm grey).

Stool cylinder is always black.

Shell Color - Polypropylene

Black	PBL
Blue Grey	PGR
Cayenne	PCY
Cool Grey	PCG
Cottonwood	PCO
Diamond Translucent	PDT
Earthen Clay	PEY
Everglade Shade	PEV
Flannel	PFN
Hazy Jade	PHJ
Honey Bee	PHY
Light Tone	PLG
Mardi Gras	PMG
Misty Brown	PMY
Nemo	PNE
Nordic	PND
Pewter Translucent	PPT
Poppy Red	PPR
Purple Haze	PPH
Rainforest	PRQ
Raw Jasper	PRJ
Rubber Ducky	PRK
Sand	PSA
Sky Blue	PSK
Surf's Up	PSP
Tarragon	PTQ
Twilight Shadow	PTI
Ultra Blue	PUB
Warm Grey	PWG
Zesty Lime	PZL

Diamond Translucent and Pewter Translucent are only available on upholstered seat models.

Tablet Arm Color - Laminate

Beigewood	LBZ
Belair	LBQ
Biltmore Cherry	LBT
Black	LBK
Brighton Walnut	LBW
Castle Oak	LCO
Cherry Storm	LCX
Classic Linen	LCI
Cocobala	LCC
Crisp Linen	LRI

Designer White	LDR
Dove Grey	LDG
Florence Walnut	LFC
Friston Ash	LFH
Frosty White	LFW
Graphite Nebula	LGN
Grey	LGE
High Rise	LHE
Hollyberry	LHY
Island	LID
Italian Silver Ash	LIT
Kensington Maple	LKM
Lapis Blue	LLB
Monticello Maple	LMT
North Sea	LNA
Ocean	LON
Pinnacle Walnut	LPW
River Cherry	LRY
Shadow Zephyr	LSR
Sterling Ash	LAZ
Titanium Evolv	LTV
White Nebula	LWL
White Sand	LWN
Windsor Mahogany	LWY

Finish Cards

View color swatches for items listed within this document.

Paints

Plastics/Poly

Wood/Veneer

Laminates

Molded Edges



Edge Styles

Hard Plastics

Glass

Certain options referenced may not be available on GSA Schedule.



MODEL	Features	MODEL NUMBER					Approx. Packaged Weight	Delivered Pricing Unupholstered	Delivered Pricing Fabric Grade 1 & C.O.M.	Delivered Pricing Fabric Grade 2	Delivered Pricing Fabric Grade 3	Delivered Pricing Vinyl Group 2V	Delivered Pricing Pallas Fabric Group P0	Delivered Pricing Pallas Fabric Group P1	Delivered Pricing Pallas Fabric Group P2	Delivered Pricing Pallas Fabric Group P3	Delivered Pricing Pallas Fabric Group P4
		Basic Model	Base Color	Poly Seat/Back Color	Casters	Upholstery Color											
 <p>Task Armless Chair • Flex back</p>	Polypropylene	SPDNAP	<input type="checkbox"/>	<input type="checkbox"/>	<input type="checkbox"/>	32.00#	\$ 446										
	Upholstered Seat	SPDNAU	<input type="checkbox"/>	<input type="checkbox"/>	<input type="checkbox"/>	35.00#	N/A	534	572	590	590	587	639	668	697	722	
	Upholstered Seat/Back	SPDNAUB	<input type="checkbox"/>	<input type="checkbox"/>	<input type="checkbox"/>	35.00#	N/A	605	644	663	663	662	713	741	770	794	
 <p>Task Cantilever Armchair • Flex back</p>	Polypropylene	SPDCAP	<input type="checkbox"/>	<input type="checkbox"/>	<input type="checkbox"/>	35.00#	\$ 529										
	Upholstered Seat	SPDCAU	<input type="checkbox"/>	<input type="checkbox"/>	<input type="checkbox"/>	38.00#	N/A	614	654	671	671	669	721	747	777	801	
	Upholstered Seat/Back	SPDCAUB	<input type="checkbox"/>	<input type="checkbox"/>	<input type="checkbox"/>	38.00#	N/A	686	723	743	743	742	793	821	848	872	

A **B** **C** **D** **E**

HOW TO ORDER

- Indicate the following information on order form:
- Quantity of each item.
 - Model number, including options. See "How To Build a Model Number".
 - Any special service required.

Note: • The indicates that a choice is required.
• The absence of the indicates that no choice is required.
• Alpha-numeric characters in place of indicate that no other alternatives are available.

HOW TO BUILD A MODEL NUMBER

- A** Select basic model.
- B** Select base color.
Refer to the **Product Color Options** page in this price list.
Includes base, cylinder, and carpet casters (hard floor casters are always black).
- C** Select poly seat and back color.
Refer to the **Product Color Options** page in this price list.
- D** Select caster option.

S	- Hard floor casters (black only)
C	- Carpet casters
- E** Select upholstery grade/color.
Refer to ki.com/fabrics

UPHOLSTERY INFORMATION

C.O.M. Upholstery
C.O.M. requirement for 10 chairs or less with upholstered seat or upholstered seat and back is 3/4 yard per chair of 54" wide nondirectional fabric. For orders of 11 or more with upholstered seat and back. For complete information on ordering C.O.M. see "Ordering Customer's Own Material (C.O.M) Upholstery." section.

SPECIAL SERVICES


Special Carton Marking

With specially marked information N/C

Shipping
Ships **knocked down, FOB Green Bay, WI 54302, freight prepaid.** Freight class 100.

Specifications and prices are subject to change without prior notice.



MODEL	Features	MODEL NUMBER						Approx. Packaged Weight	Delivered Pricing Unupholstered	Delivered Pricing Fabric Grade 1 & C.O.M.	Delivered Pricing Fabric Grade 2	Delivered Pricing Fabric Grade 3	Delivered Pricing Vinyl Group 2V	Delivered Pricing Pallas Fabric Group P0	Delivered Pricing Pallas Fabric Group P1	Delivered Pricing Pallas Fabric Group P2	Delivered Pricing Pallas Fabric Group P3
		Basic Model	Base Color	Seat & Back Color	Casters	Tablet Arm Color	Upholstery Color										
 <p>Task ChangeUp Tablet Arm Chair</p> <ul style="list-style-type: none"> Flexing Back Large work surface (21"W x 13.3"D) Work surface flips and folds Work surface has 20 degrees of ingress/egress movement Work surface rated to 250 pounds Chair rated to 400 pounds 	Polypropylene, Left Hand	SPDCUTAPLH	<input type="checkbox"/>	<input type="checkbox"/>	<input type="checkbox"/>	<input type="checkbox"/>	43.00#	\$ 932									
	Polypropylene, Right Hand	SPDCUTAPRH	<input type="checkbox"/>	<input type="checkbox"/>	<input type="checkbox"/>	<input type="checkbox"/>	43.00#	932									
	Upholstered Seat, Left Hand	SPDCUTAUHLH	<input type="checkbox"/>	<input type="checkbox"/>	<input type="checkbox"/>	<input type="checkbox"/>	<input type="checkbox"/>	45.50#	N/A	1020	1058	1076	1076	1074	1125	1155	1184
	Upholstered Seat, Right Hand	SPDCUTAUHRH	<input type="checkbox"/>	<input type="checkbox"/>	<input type="checkbox"/>	<input type="checkbox"/>	<input type="checkbox"/>	45.50#	N/A	1020	1058	1076	1076	1074	1125	1155	1184
	Upholstered Seat/Back, Left Hand	SPDCUTAUBLH	<input type="checkbox"/>	<input type="checkbox"/>	<input type="checkbox"/>	<input type="checkbox"/>	<input type="checkbox"/>	46.70#	N/A	1091	1130	1149	1149	1148	1198	1227	1256
	Upholstered Seat/Back, Right Hand	SPDCUTAUBRH	<input type="checkbox"/>	<input type="checkbox"/>	<input type="checkbox"/>	<input type="checkbox"/>	<input type="checkbox"/>	46.70#	N/A	1091	1130	1149	1149	1148	1198	1227	1256

SPDP
SPDU
SPDUB

A **B** **C** **D** **E** **F**

HOW TO ORDER

- Indicate the following information on order form:
- Quantity of each item.
 - Model number, including options. See "How To Build a Model Number".
 - Any special service required.

Note: • The indicates that a choice is required.
• The absence of the indicates that no choice is required.
• Alpha-numeric characters in place of indicate that no other alternatives are available.

HOW TO BUILD A MODEL NUMBER

- A** Select basic model.
- B** Select base color. Refer to the **Product Color Options** page in this price list.
- C** Select poly seat and back color. Refer to the **Product Color Options** page in this price list.
- D** Select casters.

S	- Hard floor casters (black only)
C	- Carpet casters
- E** Select tablet arm color. Refer to the **Product Color Options** page in this price list.
- F** Select upholstery grade/color. Refer to ki.com/fabrics

UPHOLSTERY INFORMATION

C.O.M. Upholstery
C.O.M. requirement for 10 chairs or less with upholstered seat or upholstered seat and back is 3/4 yard per chair of 54" wide nondirectional fabric. For orders of 11 or more with upholstered seat and back. For complete information on ordering C.O.M. see "Ordering Customer's Own Material (C.O.M) Upholstery." section.



SPECIAL SERVICES

Special Carton Marking
With specially marked information N/C

Shipping
Ships **knocked down, FOB Green Bay, WI 54302, freight prepaid.** Freight class 100.

Specifications and prices are subject to change without prior notice.



MODEL	Features	MODEL NUMBER					Approx. Packaged Weight	Delivered Pricing Unupholstered	Delivered Pricing Fabric Grade 1 & C.O.M.	Delivered Pricing Fabric Grade 2	Delivered Pricing Fabric Grade 3	Delivered Pricing Vinyl Group 2V	Delivered Pricing Pallas Fabric Group P0	Delivered Pricing Pallas Fabric Group P1	Delivered Pricing Pallas Fabric Group P2	Delivered Pricing Pallas Fabric Group P3	Delivered Pricing Pallas Fabric Group P4
		Basic Model	Base Color	Poly Seat/Back Color	Casters	Upholstery Color											
 Task Armless Stool • Flex back	Polypropylene	SPSNAP	<input type="checkbox"/>	<input type="checkbox"/>	<input type="checkbox"/>	37.00#	\$ 572										
	Upholstered Seat	SPSNAU	<input type="checkbox"/>	<input type="checkbox"/>	<input type="checkbox"/>	39.00#	N/A	661	697	717	717	714	764	795	823	843	
	Upholstered Seat/Back	SPSNAUB	<input type="checkbox"/>	<input type="checkbox"/>	<input type="checkbox"/>	39.00#	N/A	730	770	788	788	786	837	867	896	918	
 Task Cantilever Arm Stool • Flex back	Polypropylene	SPSCAP	<input type="checkbox"/>	<input type="checkbox"/>	<input type="checkbox"/>	39.00#	\$ 654										
	Upholstered Seat	SPSCAU	<input type="checkbox"/>	<input type="checkbox"/>	<input type="checkbox"/>	41.00#	N/A	741	777	796	796	793	842	872	903	926	
	Upholstered Seat/Back	SPSCAUB	<input type="checkbox"/>	<input type="checkbox"/>	<input type="checkbox"/>	41.00#	N/A	811	848	868	868	865	914	945	973	996	
			A	B	C	D	E										

SPSP
SPSU
SPSUB

SPSP
SPSU
SPSUB

HOW TO ORDER

- Indicate the following information on order form:
- Quantity of each item.
 - Model number, including options. See "How To Build a Model Number".
 - Any special service required.

Note: • The indicates that a choice is required.
 • The absence of the indicates that no choice is required.
 • Alpha-numeric characters in place of indicate that no other alternatives are available.

HOW TO BUILD A MODEL NUMBER

- A** Select basic model.
- B** Select frame color.
Refer to the **Product Color Options** page in this price list.
Includes base, cylinder, and carpet casters (hard floor casters are always black).
- C** Select poly seat and back color.
Refer to the **Product Color Options** page in this price list.
- D** Select caster option.

S	- Hard floor casters (black only)
C	- Carpet casters
- E** Select upholstery grade/color.
Refer to ki.com/fabrics

UPHOLSTERY INFORMATION

C.O.M. Upholstery
 C.O.M. requirement for 10 chairs or less with upholstered seat or upholstered seat and back is 3/4 yard per chair of 54" wide nondirectional fabric. For orders of 11 or more with upholstered seat and back. For complete information on ordering C.O.M. see "Ordering Customer's Own Material (C.O.M) Upholstery." section.

SPECIAL SERVICES

Special Carton Marking

With specially marked information N/C

Shipping
 Ships **knocked down, FOB Green Bay, WI 54302, freight prepaid.** Freight class 100.

Specifications and prices are subject to change without prior notice.



1330 BELLEVUE STREET
GREEN BAY, WI 54302
800.424.2432 / KI.COM

KI is a trusted expert for furniture and wall systems around the globe.
USA | CANADA | MEXICO | UK | EUROPE | ASIA | MIDDLE EAST
© 2026 Krueger International, Inc. All Rights Reserved.