



UNIVERSAL SCREENS

PRICE LIST

EFFECTIVE SEPTEMBER 3, 2025
800.424.2432



Universal Screens	
General Information	3
Product Color Options	8

Universal Height-Adjustable Screens	
Felt Screens	9
Fabric Screens	10

Universal Fixed Screens	
Felt Screens	11
Fabric Screens	13

PRODUCT SPECIFICATIONS

Universal Screens
Fixed-Height & Height-Adjustable

April 2025

TECHNICAL SPECIFICATIONS

Screens

Polyester Felt Screens

The polyester felt screen panels are constructed from 1/2" thick tackable, 100% polyester felt and are available in a variety of colors. The panels have a density of 0.5 lb/ft² and is sound absorbing tested to ASTM C423 with an NRC rating of .44 when using no air gap (A Mount testing method) and an NRC rating of .81" with 2" air gap. The polyester felt is in accordance with ASTM-E84 and achieve a Class A Flame Spread. Universal Screens are offered as both privacy screens at the back of a tabletop and as divider screens, mounted to the side. Standard adjustable screens are 24" and 31" high by 23", 29", 35", 46", 52", 58", 64", 70" and 82" wide. Standard fixed-height privacy screens are 24" and 31" high, and a fixed-height privacy screen & modesty panel is 29" high by 23", 29", 35", 46", 52", 58", 64", 70" and 82" wide.

Upholstered Screens

The upholstered screen panels are constructed from 1/2" thick tackable, low density fiberboard and are available in a variety of colors. The panels have a density of 21.84 lb/ft³. The panels meet a FSC Mix Credit Certification (FSC-C081621) for Sustainability. Universal Screens are offered as both privacy screens at the back of a tabletop and as divider screens, mounted to the side. Standard adjustable screens are 24" and 31" high by 23", 29", 35", 46", 52", 58", 64", 70" and 82" wide. Standard fixed-height privacy screens are 24" and 31" high, and a fixed-height privacy screen & modesty panel is 29" high by 23", 29", 35", 46", 52", 58", 64", 70" and 82" wide.

Brackets

Adjustable Mechanisms

Screen sizes from 23" to 46" wide will assemble with two adjustable mechanisms per screen, while the 52" to 82" screen sizes will have three adjustable mechanisms per screen assembly. The mounting brackets of the mechanisms, made of 14-gauge cold rolled steel, and the vertical rail made of cast aluminum, have powder-coated finishes. Glide plates made from molded Derlin smoothly guide the vertical rails up and down. Nylon pinion gears are housed within each mechanism and ride along the vertical rails. All gears per screen assembly are synchronized with one another using steel connecting rods to keep all mechanisms aligned. Each mechanism includes a constant force spring to counterbalance the screen panel at infinite positions with the allowed up and down travel of the mechanisms. Screen panels are fastened to the adjustable mechanisms by two stainless steel knurled thumb screws per mechanism.

Fixed-Height Brackets

Screen sizes from 23" to 46" wide will assemble with two fixed-height brackets per screen, while the 52" to 82" screen sizes will have three fixed-height brackets per screen assembly. The mounting brackets are made of 11-gauge cold rolled steel with pressed steel inserts for fastening. Brackets are finished with a powder-coat finish for durability. Screens are fastened to the fixed-height brackets using two stainless steel knurled thumb screws per bracket.



PRIVACY & DIVIDER SCREEN SELECTION TABLES

Universal Screens may be ordered as privacy screens or as divider screens. Reference the following tables to specify the privacy screen and/or divider screen for all applicable Pirouette, WorkUp, and Toggle table models. The tabletops, per each "table model" below will have appropriate pre-drilled holes to accept the Universal Privacy Screen and/or Divider Screen Model listed across from the table model. Height-adjustable screen models (USPFXXXXX and USFAXXXXX) are available with 24 and 31" high screens, while fixed-height models (USPFXXXXXF and USFAXXXXXF) are available with 24" and 31" privacy and 29" high privacy screen & modesty panel.

Pirouette® Tables, Rectangular Training Fixed-Base (29", 36" & 42" H)

Table Model	Privacy Screen Models (USFAXXXXX, USFAXXXXXF, USPFXXXXX, & USPFXXXXXF)	Divider Screen Models (USFAXXXXX, USFAXXXXXF, USPFXXXXX, & USPFXXXXXF)
PIFR1830T	2924, 2929, 2931	
PIFR1836T	3524, 3529, 3531	
PIFR1842T	3524, 3529, 3531	
PIFR1848T	4624, 4629, 4631	
PIFR1854T	5224, 5229, 5231	
PIFR1860T	5824, 5829, 5831	
PIFR1866T	6424, 6429, 6431	
PIFR1872T	7024, 7029, 7031	
PIFR2430T	2924, 2929, 2931	2324, 2329, 2331
PIFR2436T	3524, 3529, 3531	2324, 2329, 2331
PIFR2442T	3524, 3529, 3531	2324, 2329, 2331
PIFR2448T	4624, 4629, 4631	2324, 2329, 2331
PIFR2454T	5224, 5229, 5231	2324, 2329, 2331
PIFR2460T	5824, 5829, 5831	2324, 2329, 2331
PIFR2466T	6424, 6429, 6431	2324, 2329, 2331
PIFR2472T	7024, 7029, 7031	2324, 2329, 2331
PIFR3030T	2924, 2929, 2931	2924, 2929, 2931
PIFR3036T	3524, 3529, 3531	2924, 2929, 2931
PIFR3042T	3524, 3529, 3531	2924, 2929, 2931
PIFR3048T	4624, 4629, 4631	2924, 2929, 2931
PIFR3054T	5224, 5229, 5231	2924, 2929, 2931
PIFR3060T	5824, 5829, 5831	2924, 2929, 2931
PIFR3066T	6424, 6429, 6431	2924, 2929, 2931
PIFR3072T	7024, 7029, 7031	2924, 2929, 2931
PIFR3630T	2924, 2929, 2931	3524, 3529, 3531
PIFR3636T	3524, 3529, 3531	3524, 3529, 3531
PIFR3642T	3524, 3529, 3531	3524, 3529, 3531
PIFR3648T	4624, 4629, 4631	3524, 3529, 3531
PIFR3654T	5224, 5229, 5231	3524, 3529, 3531
PIFR3660T	5824, 5829, 5831	3524, 3529, 3531
PIFR3666T	6424, 6429, 6431	3524, 3529, 3531
PIFR3672T	7024, 7029, 7031	3524, 3529, 3531

Pirouette® Tables, Rectangular Collaborative Fixed-Base

Table Model	Privacy Screen Models (USFAXXXXX, USFAXXXXXF, USPFXXXXX, & USPFXXXXXF)	Divider Screen Models (USFAXXXXX, USFAXXXXXF, USPFXXXXX, & USPFXXXXXF)
PIFR2460C	5824, 5829, 5831	2324, 2329, 2331
PIFR2466C	6424, 6429, 6431	2324, 2329, 2331
PIFR2472C	7024, 7029, 7031	2324, 2329, 2331
PIFR3060C	5824, 5829, 5831	2924, 2929, 2931
PIFR3066C	6424, 6429, 6431	2924, 2929, 2931
PIFR3072C	7024, 7029, 7031	2924, 2929, 2931

Pirouette® Tables, Chevron Fixed-Base (29", 36" & 42" H)

Table Model	Privacy Screen Models (USFAXXXXX, USFAXXXXXF, USPFXXXXX, & USPFXXXXXF)	Divider Screen Models (USFAXXXXX, USFAXXXXXF, USPFXXXXX, & USPFXXXXXF)
PIFCV1860	5824, 5829, 5831	
PIFCV1872	7024, 7029, 7031	
PIFCV2460	5824, 5829, 5831	2324, 2329, 2331
PIFCV2472	7024, 7029, 7031	2324, 2329, 2331
PIFCV3060	5824, 5829, 5831	2924, 2929, 2931
PIFCV3072	7024, 7029, 7031	2924, 2929, 2931


PRIVACY & DIVIDER SCREEN SELECTION TABLES

Universal Screens may be ordered as privacy screens or as divider screens. Reference the following tables to specify the privacy screen and/or divider screen for all applicable Pirouette, WorkUp, and Toggle table models. The tabletops, per each "table model" below will have appropriate pre-drilled holes to accept the Universal Privacy Screen and/or Divider Screen Model listed across from the table model. Height-adjustable screen models (USPFXXXX and USFAXXXX) are available with 24 and 31" high screens, while fixed-height models (USPFXXXXXF and USFAXXXXXF) are available with 24" and 31" privacy and 29" high privacy screen & modesty panel.

WorkUp® Tables, Fixed-Base

Table Model	Privacy Screen Models (USFAXXXX, USFAXXXXF, USPFXXXX, & USPFXXXXF)	Divider Screen Models (USFAXXXX, USFAXXXXF, USPFXXXX, & USPFXXXXF)
WU2236FX	3524, 3529, 3531	
WU2242FX	3524, 3529, 3531	
WU2248FX	4624, 4629, 4631	
WU2254FX	5224, 5229, 5231	
WU2260FX	5824, 5829, 5831	
WU2266FX	6424, 6429, 6431	
WU2272FX	7024, 7029, 7031	
WU2436FX	3524, 3529, 3531	2324, 2329, 2331
WU2442FX	3524, 3529, 3531	2324, 2329, 2331
WU2448FX	4624, 4629, 4631	2324, 2329, 2331
WU2454FX	5224, 5229, 5231	2324, 2329, 2331
WU2460FX	5824, 5829, 5831	2324, 2329, 2331
WU2466FX	6424, 6429, 6431	2324, 2329, 2331
WU2472FX	7024, 7029, 7031	2324, 2329, 2331
WU3036FX	3524, 3529, 3531	2924, 2929, 2931
WU3042FX	3524, 3529, 3531	2924, 2929, 2931
WU3048FX	4624, 4629, 4631	2924, 2929, 2931
WU3054FX	5224, 5229, 5231	2924, 2929, 2931
WU3060FX	5824, 5829, 5831	2924, 2929, 2931
WU3066FX	6424, 6429, 6431	2924, 2929, 2931
WU3072FX	7024, 7029, 7031	2924, 2929, 2931
WU3636FX	3524, 3529, 3531	3524, 3529, 3531
WU3642FX	3524, 3529, 3531	3524, 3529, 3531
WU3648FX	4624, 4629, 4631	3524, 3529, 3531
WU3654FX	5224, 5229, 5231	3524, 3529, 3531
WU3660FX	5824, 5829, 5831	3524, 3529, 3531
WU3666FX	6424, 6429, 6431	3524, 3529, 3531
WU3672FX	7024, 7029, 7031	3524, 3529, 3531

WorkUp® Tables, Crank

Table Model	Privacy Screen Models (USFAXXXX, USFAXXXXF, USPFXXXX, & USPFXXXXF)	Divider Screen Models (USFAXXXX, USFAXXXXF, USPFXXXX, & USPFXXXXF)
WU2248CR	4624, 4629, 4631	
WU2254CR	5224, 5229, 5231	
WU2260CR	5824, 5829, 5831	
WU2266CR	6424, 6429, 6431	
WU2272CR	7024, 7029, 7031	
WU2448CR	4624, 4629, 4631	2324, 2329, 2331
WU2454CR	5224, 5229, 5231	2324, 2329, 2331
WU2460CR	5824, 5829, 5831	2324, 2329, 2331
WU2466CR	6424, 6429, 6431	2324, 2329, 2331
WU2472CR	7024, 7029, 7031	2324, 2329, 2331
WU3048CR	4624, 4629, 4631	2924, 2929, 2931
WU3054CR	5224, 5229, 5231	2924, 2929, 2931
WU3060CR	5824, 5829, 5831	2924, 2929, 2931
WU3066CR	6424, 6429, 6431	2924, 2929, 2931
WU3072CR	7024, 7029, 7031	2924, 2929, 2931
WU3648CR	4624, 4629, 4631	3524, 3529, 3531
WU3654CR	5224, 5229, 5231	3524, 3529, 3531
WU3660CR	5824, 5829, 5831	3524, 3529, 3531
WU3666CR	6424, 6429, 6431	3524, 3529, 3531
WU3672CR	7024, 7029, 7031	3524, 3529, 3531

PRIVACY & DIVIDER SCREEN SELECTION TABLES

Universal Screens may be ordered as privacy screens or as divider screens. Reference the following tables to specify the privacy screen and/or divider screen for all applicable Pirouette, WorkUp, and Toggle table models. The tabletops, per each "table model" below will have appropriate pre-drilled holes to accept the Universal Privacy Screen and/or Divider Screen Model listed across from the table model. Height-adjustable screen models (USPFXXXX and USFAXXXX) are available with 24 and 31" high screens, while fixed-height models (USPFXXXXXF and USFAXXXXXF) are available with 24" and 31" privacy and 29" high privacy screen & modesty panel.

WorkUp® Tables, Counter Balance

Table Model	Privacy Screen Models (USFAXXXX, USFAXXXXF, USPFXXXX, & USPFXXXXF)	Divider Screen Models (USFAXXXX, USFAXXXXF, USPFXXXX, & USPFXXXXF)
WU2248CB	4624, 4629, 4631	
WU2254CB	5224, 5229, 5231	
WU2260CB	5824, 5829, 5831	
WU2266CB	6424, 6429, 6431	
WU2272CB	7024, 7029, 7031	
WU2448CB	4624, 4629, 4631	
WU2454CB	5224, 5229, 5231	
WU2460CB	5824, 5829, 5831	
WU2466CB	6424, 6429, 6431	
WU2472CB	7024, 7029, 7031	
WU3048CB	4624, 4629, 4631	
WU3054CB	5224, 5229, 5231	
WU3060CB	5824, 5829, 5831	
WU3066CB	6424, 6429, 6431	
WU3072CB	7024, 7029, 7031	
WU3648CB	4624, 4629, 4631	
WU3654CB	5224, 5229, 5231	
WU3660CB	5824, 5829, 5831	
WU3666CB	6424, 6429, 6431	
WU3672CB	7024, 7029, 7031	



PRIVACY & DIVIDER SCREEN SELECTION TABLES

Universal Screens may be ordered as privacy screens or as divider screens. Reference the following tables to specify the privacy screen and/or divider screen for all applicable Pirouette, WorkUp, and Toggle table models. The tabletops, per each "table model" below will have appropriate pre-drilled holes to accept the Universal Privacy Screen and/or Divider Screen Model listed across from the table model. Height-adjustable screen models (USPFXXXX and USFAXXXXX) are available with 24 and 31" high screens, while fixed-height models (USPFXXXXXF and USFAXXXXXXF) are available with 24" and 31" privacy and 29" high privacy screen & modesty panel.

Toggle® Tables, Fixed-Base

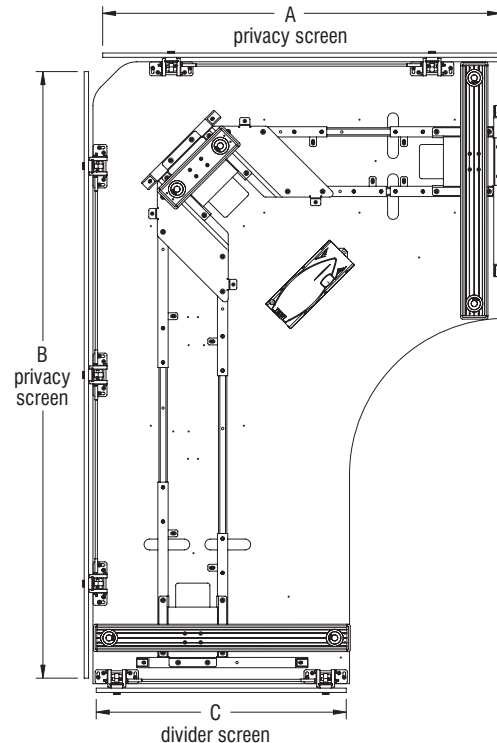
Table Model	Privacy Screen Models (USFAXXXXX, USFAXXXXXF, USPFXXXX, & USPFXXXXF)	Divider Screen Models (USFAXXXXX, USFAXXXXXF, USPFXXXX, & USPFXXXXF)
TOGL2448FX	4624, 4629, 4631	2324, 2329, 2331
TOGL2460FX	5824, 5829, 5831	2324, 2329, 2331
TOGL2472FX	7024, 7029, 7031	2324, 2329, 2331
TOGL3048FX	4624, 4629, 4631	2924, 2929, 2931
TOGL3060FX	5824, 5829, 5831	2924, 2929, 2931
TOGL3072FX	7024, 7029, 7031	2924, 2929, 2931
TOGL3648FX	4624, 4629, 4631	3524, 3529, 3531
TOGL3660FX	5824, 5829, 5831	3524, 3529, 3531
TOGL3672FX	7024, 7029, 7031	3524, 3529, 3531

Toggle® Tables, Dual Motor

Table Model	Privacy Screen Models (USFAXXXXX, USFAXXXXXF, USPFXXXX, & USPFXXXXF)	Divider Screen Models (USFAXXXXX, USFAXXXXXF, USPFXXXX, & USPFXXXXF)
TOGL2448EL	4624, 4629, 4631	2324, 2329, 2331
TOGL2460EL	5824, 5829, 5831	2324, 2329, 2331
TOGL2472EL	7024, 7029, 7031	2324, 2329, 2331
TOGL3048EL	4624, 4629, 4631	2924, 2929, 2931
TOGL3060EL	5824, 5829, 5831	2924, 2929, 2931
TOGL3072EL	7024, 7029, 7031	2924, 2929, 2931
TOGL3648EL	4624, 4629, 4631	3524, 3529, 3531
TOGL3660EL	5824, 5829, 5831	3524, 3529, 3531
TOGL3672EL	7024, 7029, 7031	3524, 3529, 3531

Toggle® Tables, Square Shoe

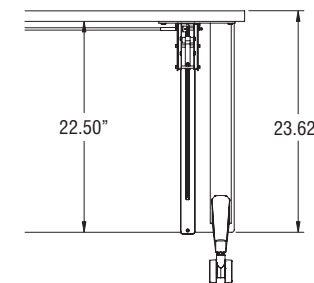
Table Model	A Privacy Screen Models (USFAXXXXX, USFAXXXXXF, USPFXXXX, & USPFXXXXF)	B Privacy Screen Models (USFAXXXXX, USFAXXXXXF, USPFXXXX, & USPFXXXXF)	C Divider Screen Models (USFAXXXXX, USFAXXXXXF, USPFXXXX, & USPFXXXXF)
TOGLSS244860	4624, 4629, 4631	5824, 5829, 5831	2324, 2329, 2331
TOGLSS244866	4624, 4629, 4631	6424, 6429, 6431	2324, 2329, 2331
TOGLSS244872	4624, 4629, 4631	7024, 7029, 7031	2324, 2329, 2331
TOGLSS244884	4624, 4629, 4631	8224, 8229, 8231	2324, 2329, 2331
TOGLSS246048	5824, 5829, 5831	4624, 4629, 4631	2324, 2329, 2331
TOGLSS246648	6424, 6429, 6431	4624, 4629, 4631	2324, 2329, 2331
TOGLSS247248	7024, 7029, 7031	4624, 4629, 4631	2324, 2329, 2331
TOGLSS248448	8224, 8229, 8231	4624, 4629, 4631	2324, 2329, 2331
TOGLSS304860	4624, 4629, 4631	5824, 5829, 5831	2924, 2929, 2931
TOGLSS304866	4624, 4629, 4631	6424, 6429, 6431	2924, 2929, 2931
TOGLSS304872	4624, 4629, 4631	7024, 7029, 7031	2924, 2929, 2931
TOGLSS304884	4624, 4629, 4631	8224, 8229, 8231	2924, 2929, 2931
TOGLSS306048	5824, 5829, 5831	4624, 4629, 4631	2924, 2929, 2931
TOGLSS306648	6424, 6429, 6431	4624, 4629, 4631	2924, 2929, 2931
TOGLSS307248	7024, 7029, 7031	4624, 4629, 4631	2924, 2929, 2931
TOGLSS308448	8224, 8229, 8231	4624, 4629, 4631	2924, 2929, 2931



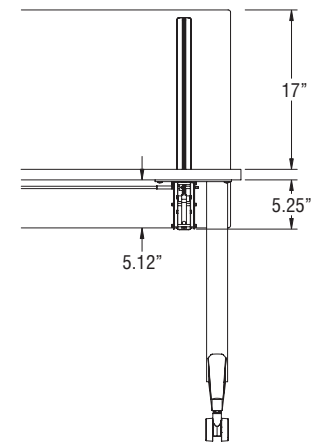
Square Shoe Triple Motor Electric-Base Tables, (30" x 48" x 72" Model SS shown)

DIMENSIONS

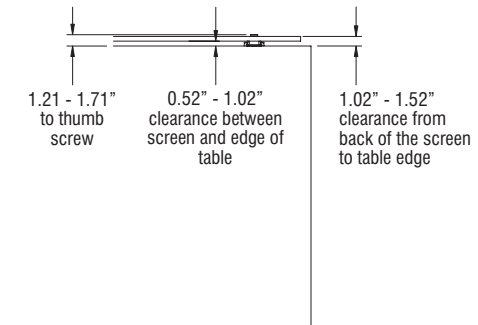
Universal Height-Adjustable Screens - 24" High



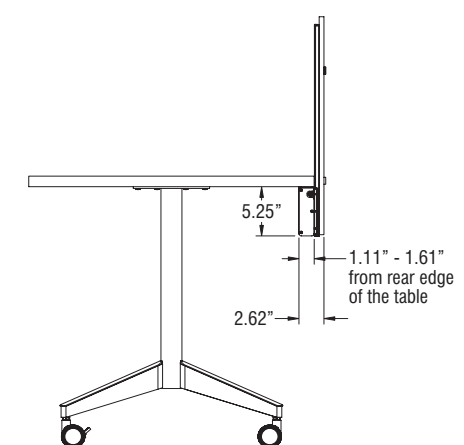
Universal Height-Adjustable Screen - Down Position



Universal Height-Adjustable Screen - Up Position



Universal Height-Adjustable Screen - Top View

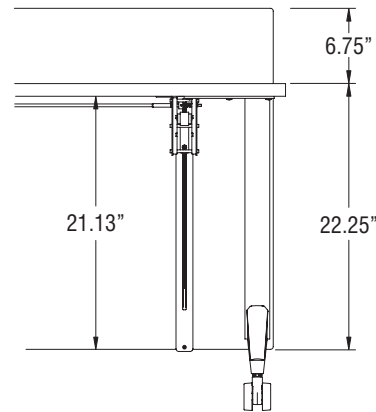


Universal Height-Adjustable Screen - Side View

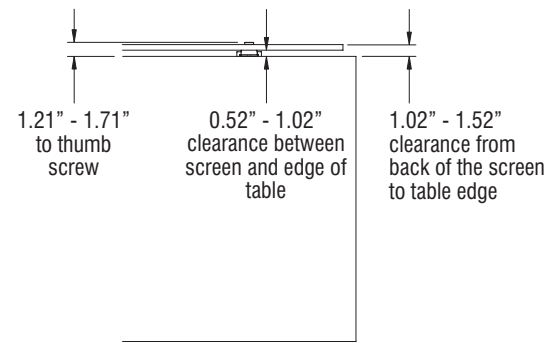


DIMENSIONS

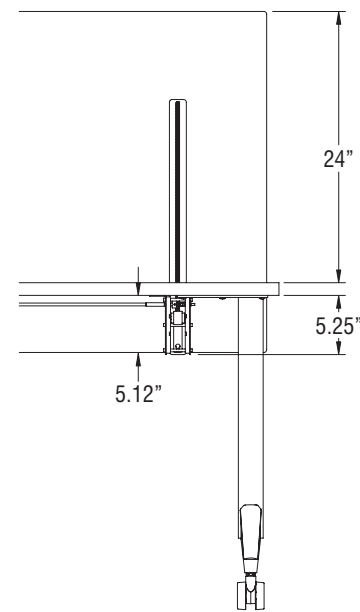
Universal Height-Adjustable Screens - 31" High



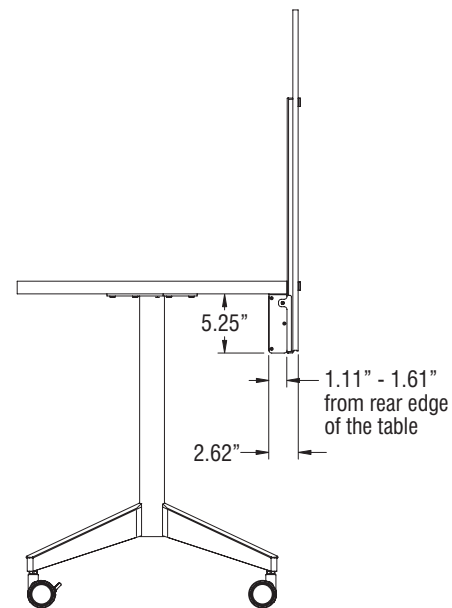
Universal Height-Adjustable Screen - Down Position



Universal Height-Adjustable Screen - Top View



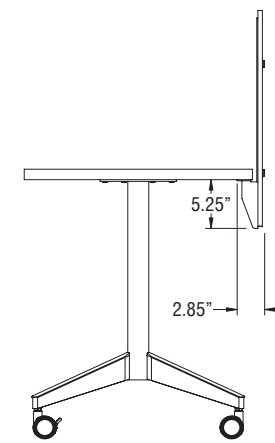
Universal Height-Adjustable Screen - Up Position



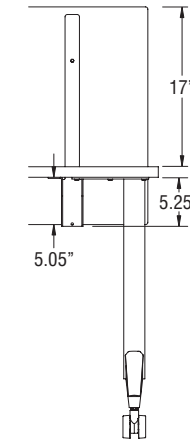
Universal Height-Adjustable Screen - Side View

DIMENSIONS

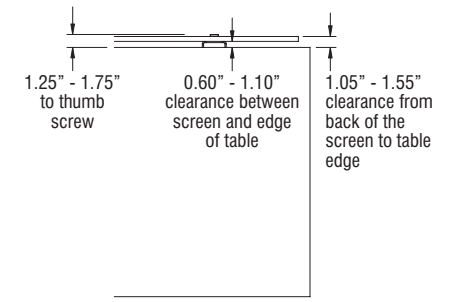
Universal Fixed-Height Privacy Screen - 24" High



Universal Fixed-Height Privacy Screen - Side View

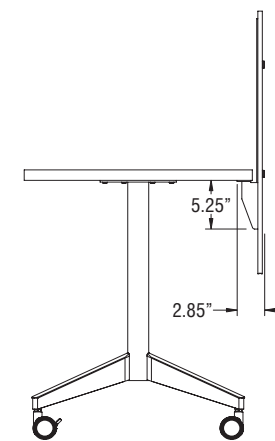


Universal Fixed-Height Privacy Screen - Front View

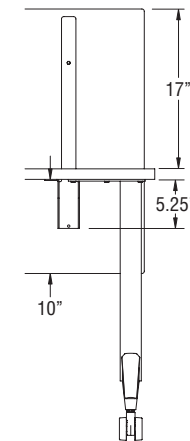


Universal Fixed-Height Privacy Screen - Top View

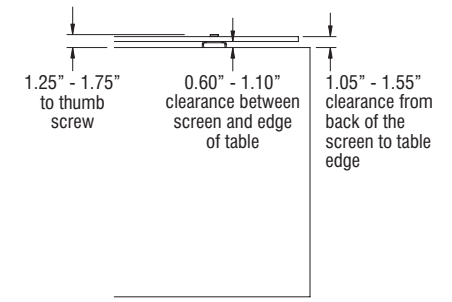
Universal Fixed-Height Privacy Screen & Modesty Panel - 29" High



Universal Fixed-Height Privacy Screen & Modesty Panel - Side View



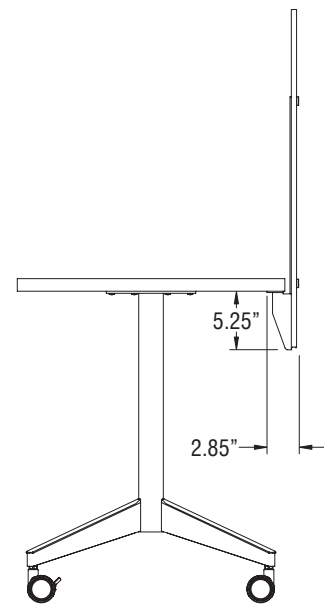
Universal Fixed-Height Privacy Screen & Modesty Panel - Front View



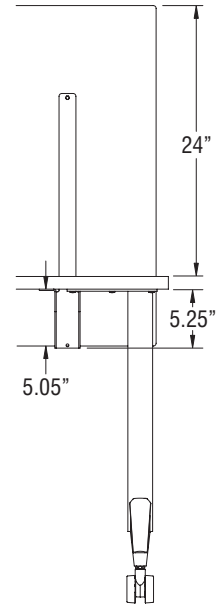
Universal Fixed-Height Privacy Screen & Modesty Panel - Top View



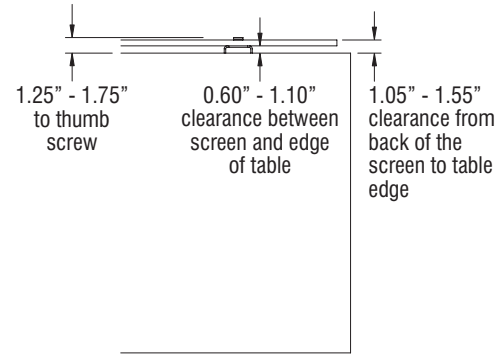
Universal Fixed-Height Privacy Screen - 31" High



Universal Fixed-Height Privacy Screen - Side View



Universal Fixed-Height Privacy Screen - Front View



Universal Fixed-Height Privacy Screen - Top View



Base Finish

Black	BL
Blue Grey	GR
Bronze Metallic	ZM
Cayenne	CY
Champagne Metallic	CM
Cool Grey	CG
Cottonwood	CO
Earthen Clay	EY
Espresso Metallic	EX
Everglade Shade	EV
Flannel	FN
Glitz Metallic	GZ
Hazy Jade	HJ
Honey Bee	HY
Light Tone	LG
Mardi Gras	MG
Misty Brown	MY
Nemo	NE
Nordic	ND
Purple Haze	PH
Rainforest	RQ
Raw Jasper	RJ
Rubber Ducky	RK
Sand	SA
Starlight Silver Metallic	SX
Surf's Up	SP
Tarragon	TQ
Toggle Black	TGBL
Toggle Silver	TGSL
Toggle White	TGWH
Twilight Shadow	TI
Ultra Blue	UB
Warm Grey	WG
Zesty Lime	ZL

Felt Color

Dandelion	FTDD
Fawn	FTFW
Flannel	FTFN
Heather	FTHR
Lava	FTLV
Mallard	FTML
Midnight Blue	FTMB
Pepper	FTPR
Spring	FTSG
Tidal Wave	FTTW

Finish Cards

View color swatches for items listed within this document.

[Paints](#)

[Plastics/Poly](#)

[Wood/Veneer](#)

[Laminates](#)

[Molded Edges](#)

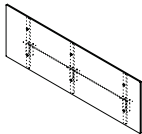
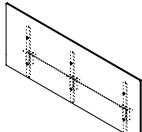
[Edge Styles](#)

[Hard Plastics](#)

[Glass](#)

Certain options referenced may not be available on GSA Schedule.



	MODEL	W x H	MODEL NUMBER			Approx. Packaged Weight	Delivered Pricing
			Basic Model	Base Finish	Felt Color		
 USPF	Universal Height-Adjustable Screens - Felt, 24" Tall	23 x 24"	USPF2324	<input type="checkbox"/> <input type="checkbox"/> <input type="checkbox"/> <input type="checkbox"/>	<input type="checkbox"/> <input type="checkbox"/> <input type="checkbox"/> <input type="checkbox"/>	7.0#	\$ 668
		29 x 24"	USPF2924	<input type="checkbox"/> <input type="checkbox"/> <input type="checkbox"/> <input type="checkbox"/>	<input type="checkbox"/> <input type="checkbox"/> <input type="checkbox"/> <input type="checkbox"/>	8.0#	703
		35 x 24"	USPF3524	<input type="checkbox"/> <input type="checkbox"/> <input type="checkbox"/> <input type="checkbox"/>	<input type="checkbox"/> <input type="checkbox"/> <input type="checkbox"/> <input type="checkbox"/>	8.0#	737
		46 x 24"	USPF4624	<input type="checkbox"/> <input type="checkbox"/> <input type="checkbox"/> <input type="checkbox"/>	<input type="checkbox"/> <input type="checkbox"/> <input type="checkbox"/> <input type="checkbox"/>	9.0#	773
		52 x 24"	USPF5224	<input type="checkbox"/> <input type="checkbox"/> <input type="checkbox"/> <input type="checkbox"/>	<input type="checkbox"/> <input type="checkbox"/> <input type="checkbox"/> <input type="checkbox"/>	11.0#	849
		58 x 24"	USPF5824	<input type="checkbox"/> <input type="checkbox"/> <input type="checkbox"/> <input type="checkbox"/>	<input type="checkbox"/> <input type="checkbox"/> <input type="checkbox"/> <input type="checkbox"/>	12.0#	1081
		64 x 24"	USPF6424	<input type="checkbox"/> <input type="checkbox"/> <input type="checkbox"/> <input type="checkbox"/>	<input type="checkbox"/> <input type="checkbox"/> <input type="checkbox"/> <input type="checkbox"/>	12.0#	1096
		70 x 24"	USPF7024	<input type="checkbox"/> <input type="checkbox"/> <input type="checkbox"/> <input type="checkbox"/>	<input type="checkbox"/> <input type="checkbox"/> <input type="checkbox"/> <input type="checkbox"/>	13.0#	1110
		82 x 24"	USPF8224	<input type="checkbox"/> <input type="checkbox"/> <input type="checkbox"/> <input type="checkbox"/>	<input type="checkbox"/> <input type="checkbox"/> <input type="checkbox"/> <input type="checkbox"/>	14.0#	1162
 USPF	Universal Height-Adjustable Screens - Felt, 31" Tall	23 x 31"	USPF2331	<input type="checkbox"/> <input type="checkbox"/> <input type="checkbox"/> <input type="checkbox"/>	<input type="checkbox"/> <input type="checkbox"/> <input type="checkbox"/> <input type="checkbox"/>	8.0#	\$ 849
		29 x 31"	USPF2931	<input type="checkbox"/> <input type="checkbox"/> <input type="checkbox"/> <input type="checkbox"/>	<input type="checkbox"/> <input type="checkbox"/> <input type="checkbox"/> <input type="checkbox"/>	9.0#	874
		35 x 31"	USPF3531	<input type="checkbox"/> <input type="checkbox"/> <input type="checkbox"/> <input type="checkbox"/>	<input type="checkbox"/> <input type="checkbox"/> <input type="checkbox"/> <input type="checkbox"/>	9.0#	900
		46 x 31"	USPF4631	<input type="checkbox"/> <input type="checkbox"/> <input type="checkbox"/> <input type="checkbox"/>	<input type="checkbox"/> <input type="checkbox"/> <input type="checkbox"/> <input type="checkbox"/>	10.0#	980
		52 x 31"	USPF5231	<input type="checkbox"/> <input type="checkbox"/> <input type="checkbox"/> <input type="checkbox"/>	<input type="checkbox"/> <input type="checkbox"/> <input type="checkbox"/> <input type="checkbox"/>	12.0#	1096
		58 x 31"	USPF5831	<input type="checkbox"/> <input type="checkbox"/> <input type="checkbox"/> <input type="checkbox"/>	<input type="checkbox"/> <input type="checkbox"/> <input type="checkbox"/> <input type="checkbox"/>	13.0#	1553
		64 x 31"	USPF6431	<input type="checkbox"/> <input type="checkbox"/> <input type="checkbox"/> <input type="checkbox"/>	<input type="checkbox"/> <input type="checkbox"/> <input type="checkbox"/> <input type="checkbox"/>	14.0#	1565
		70 x 31"	USPF7031	<input type="checkbox"/> <input type="checkbox"/> <input type="checkbox"/> <input type="checkbox"/>	<input type="checkbox"/> <input type="checkbox"/> <input type="checkbox"/> <input type="checkbox"/>	14.0#	1591
		82 x 31"	USPF8231	<input type="checkbox"/> <input type="checkbox"/> <input type="checkbox"/> <input type="checkbox"/>	<input type="checkbox"/> <input type="checkbox"/> <input type="checkbox"/> <input type="checkbox"/>	16.0#	1618

A **B** **C**

HOW TO ORDER

- Indicate the following information on order form:
- Quantity of each item.
 - Model number, including options. See "How To Build a Model Number".
 - Any special service required.

Note:

- The indicates that a choice is required.
- The absence of the indicates that no choice is required.
- Alpha-numeric characters in place of indicate that no other alternatives are available.

HOW TO BUILD A MODEL NUMBER

- A** Select basic model.
- B** Select base finish. Refer to the **Product Color Options** page in this price list.
- C** Select felt color. Refer to the **Product Color Options** page in this price list.

SPECIAL SERVICES

Special Carton Marking

With specially marked information N/C

Shipping

Ships **assembled, FOB Bonduel, WI 54107, freight prepaid.** Freight class 70.

Specifications and prices are subject to change without prior notice.

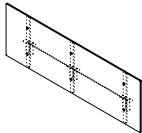
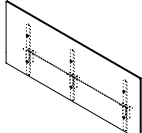
Universal Height-Adjustable Screens

Fabric Screens



Universal Height-Adjustable Screens

Fabric Screens

	MODEL	W x H	MODEL NUMBER			Approx. Packaged Weight	Delivered Pricing Fabric Grade 1 & C.O.M.	Delivered Pricing Fabric Grade 2	Delivered Pricing Fabric Grade 3 & Pallas Vertical Fabric Grade PV	Delivered Pricing Pallas Vertical Fabric Grade PV1	Delivered Pricing Pallas Vertical Fabric Grade PV2
			Basic Model	Base Finish	Fabric Color						
 USFA • Height adjustable by user • Screen is flush with tabletop when at its lowest position • Maximum height above worksurface 17" • Screens attach to either the back length or side depth of tabletop based on closest nominal size • Monitor arms, modesty panels, and wire troughs may prohibit installation of screens • Screens are standard on select Pirouette, Toggle, and WorkUp tables (refer to chart on General Information page)	Universal Height-Adjustable Screens - Fabric, 24" Tall	23 x 24"	USFA2324	<input type="checkbox"/>	<input type="checkbox"/>	9.0#	\$ 600	\$ 613	\$ 617	\$ 626	\$ 650
	29 x 24"	USFA2924	<input type="checkbox"/>	<input type="checkbox"/>	10.0#	652	666	673	686	718	
	35 x 24"	USFA3524	<input type="checkbox"/>	<input type="checkbox"/>	11.0#	685	711	718	744	783	
	46 x 24"	USFA4624	<input type="checkbox"/>	<input type="checkbox"/>	12.0#	744	771	776	809	844	
	52 x 24"	USFA5224	<input type="checkbox"/>	<input type="checkbox"/>	14.0#	1011	1044	1058	1096	1146	
	58 x 24"	USFA5824	<input type="checkbox"/>	<input type="checkbox"/>	16.0#	1031	1067	1083	1126	1181	
	64 x 24"	USFA6424	<input type="checkbox"/>	<input type="checkbox"/>	16.0#	1096	1131	1148	1194	1258	
	70 x 24"	USFA7024	<input type="checkbox"/>	<input type="checkbox"/>	17.0#	1109	1145	1165	1215	1281	
	82 x 24"	USFA8224	<input type="checkbox"/>	<input type="checkbox"/>	19.0#	1122	1168	1194	1245	1321	
	 USFA • Height adjustable by user • Screen is 6-3/4" above worksurface when at its lowest position • Maximum height above worksurface 24" • Screens attach to either the back length or side depth of tabletop based on closest nominal size • Monitor arms, modesty panels, and wire troughs may prohibit installation of screens • Screens are standard on select Pirouette, Toggle, and WorkUp tables (refer to chart on General Information page)	Universal Height-Adjustable Screens - Fabric, 31" Tall	23 x 31"	USFA2331	<input type="checkbox"/>	<input type="checkbox"/>	10.0#	\$ 640	\$ 652	\$ 659	\$ 676
29 x 31"		USFA2931	<input type="checkbox"/>	<input type="checkbox"/>	11.0#	679	693	706	726	744	
35 x 31"		USFA3531	<input type="checkbox"/>	<input type="checkbox"/>	12.0#	704	731	751	779	802	
46 x 31"		USFA4631	<input type="checkbox"/>	<input type="checkbox"/>	14.0#	783	810	831	861	885	
52 x 31"		USFA5231	<input type="checkbox"/>	<input type="checkbox"/>	17.0#	1148	1181	1214	1253	1283	
58 x 31"		USFA5831	<input type="checkbox"/>	<input type="checkbox"/>	18.0#	1174	1211	1249	1288	1325	
64 x 31"		USFA6431	<input type="checkbox"/>	<input type="checkbox"/>	19.0#	1226	1262	1300	1351	1390	
70 x 31"		USFA7031	<input type="checkbox"/>	<input type="checkbox"/>	20.0#	1253	1288	1335	1384	1425	
82 x 31"		USFA8231	<input type="checkbox"/>	<input type="checkbox"/>	23.0#	1306	1351	1403	1459	1504	
			A	B	C						

HOW TO ORDER

- Indicate the following information on order form:
- Quantity of each item.
 - Model number, including options. See "How To Build a Model Number".
 - Any special service required.

Note:

- The indicates that a choice is required.
- The absence of the indicates that no choice is required.
- Alpha-numeric characters in place of indicate that no other alternatives are available.

HOW TO BUILD A MODEL NUMBER

- A** Select basic model.
- B** Select base finish.
Refer to the **Product Color Options** page in this price list.
- C** Select fabric color.
Refer to ki.com/fabrics

SPECIAL SERVICES

Special Carton Marking

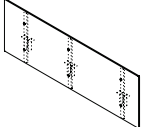
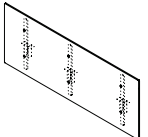
With specially marked information N/C

Shipping

Ships **assembled, FOB Bonduel, WI 54107, freight prepaid.** Freight class 70.

Specifications and prices are subject to change without prior notice.



MODEL	W x H	MODEL NUMBER			Approx. Packaged Weight	Delivered Pricing
		Basic Model	Base Finish	Felt Color		
 <p>Universal Fixed Privacy Screens - Felt, 24" Tall</p> <ul style="list-style-type: none"> • Non-height adjustable • Screen 17" above worksurface • Screens attach to either the back length or side depth of tabletop based on closest nominal size • Monitor arms, modesty panels, and wire troughs may prohibit installation of screens • Screens are standard on select Pirouette, Toggle, and WorkUp tables (refer to chart on General Information page) 	23 x 24"	USPF2324F	<input type="checkbox"/> <input type="checkbox"/> <input type="checkbox"/> <input type="checkbox"/>	<input type="checkbox"/> <input type="checkbox"/> <input type="checkbox"/> <input type="checkbox"/>	7.0#	\$ 333
	29 x 24"	USPF2924F	<input type="checkbox"/> <input type="checkbox"/> <input type="checkbox"/> <input type="checkbox"/>	<input type="checkbox"/> <input type="checkbox"/> <input type="checkbox"/> <input type="checkbox"/>	8.0#	379
	35 x 24"	USPF3524F	<input type="checkbox"/> <input type="checkbox"/> <input type="checkbox"/> <input type="checkbox"/>	<input type="checkbox"/> <input type="checkbox"/> <input type="checkbox"/> <input type="checkbox"/>	8.0#	405
	46 x 24"	USPF4624F	<input type="checkbox"/> <input type="checkbox"/> <input type="checkbox"/> <input type="checkbox"/>	<input type="checkbox"/> <input type="checkbox"/> <input type="checkbox"/> <input type="checkbox"/>	9.0#	457
	52 x 24"	USPF5224F	<input type="checkbox"/> <input type="checkbox"/> <input type="checkbox"/> <input type="checkbox"/>	<input type="checkbox"/> <input type="checkbox"/> <input type="checkbox"/> <input type="checkbox"/>	11.0#	588
	58 x 24"	USPF5824F	<input type="checkbox"/> <input type="checkbox"/> <input type="checkbox"/> <input type="checkbox"/>	<input type="checkbox"/> <input type="checkbox"/> <input type="checkbox"/> <input type="checkbox"/>	12.0#	783
	64 x 24"	USPF6424F	<input type="checkbox"/> <input type="checkbox"/> <input type="checkbox"/> <input type="checkbox"/>	<input type="checkbox"/> <input type="checkbox"/> <input type="checkbox"/> <input type="checkbox"/>	12.0#	810
	70 x 24"	USPF7024F	<input type="checkbox"/> <input type="checkbox"/> <input type="checkbox"/> <input type="checkbox"/>	<input type="checkbox"/> <input type="checkbox"/> <input type="checkbox"/> <input type="checkbox"/>	13.0#	835
	82 x 24"	USPF8224F	<input type="checkbox"/> <input type="checkbox"/> <input type="checkbox"/> <input type="checkbox"/>	<input type="checkbox"/> <input type="checkbox"/> <input type="checkbox"/> <input type="checkbox"/>	82.0#	860
	 <p>Universal Fixed Privacy Screens/Modesty Panels - Felt, 29" Tall</p> <ul style="list-style-type: none"> • Non-height adjustable • Screen 17" above worksurface • Modesty panel 10" below worksurface • Screens attach to either the back length or side depth of tabletop based on closest nominal size • Monitor arms, modesty panels, and wire troughs may prohibit installation of screens • Screens are standard on select Pirouette, Toggle, and WorkUp tables (refer to chart on General Information page) 	23 x 29"	USPF2329F	<input type="checkbox"/> <input type="checkbox"/> <input type="checkbox"/> <input type="checkbox"/>	<input type="checkbox"/> <input type="checkbox"/> <input type="checkbox"/> <input type="checkbox"/>	8.0#
29 x 29"		USPF2929F	<input type="checkbox"/> <input type="checkbox"/> <input type="checkbox"/> <input type="checkbox"/>	<input type="checkbox"/> <input type="checkbox"/> <input type="checkbox"/> <input type="checkbox"/>	8.0#	523
35 x 29"		USPF3529F	<input type="checkbox"/> <input type="checkbox"/> <input type="checkbox"/> <input type="checkbox"/>	<input type="checkbox"/> <input type="checkbox"/> <input type="checkbox"/> <input type="checkbox"/>	9.0#	548
46 x 29"		USPF4629F	<input type="checkbox"/> <input type="checkbox"/> <input type="checkbox"/> <input type="checkbox"/>	<input type="checkbox"/> <input type="checkbox"/> <input type="checkbox"/> <input type="checkbox"/>	10.0#	693
52 x 29"		USPF5229F	<input type="checkbox"/> <input type="checkbox"/> <input type="checkbox"/> <input type="checkbox"/>	<input type="checkbox"/> <input type="checkbox"/> <input type="checkbox"/> <input type="checkbox"/>	12.0#	783
58 x 29"		USPF5829F	<input type="checkbox"/> <input type="checkbox"/> <input type="checkbox"/> <input type="checkbox"/>	<input type="checkbox"/> <input type="checkbox"/> <input type="checkbox"/> <input type="checkbox"/>	13.0#	1253
64 x 29"		USPF6429F	<input type="checkbox"/> <input type="checkbox"/> <input type="checkbox"/> <input type="checkbox"/>	<input type="checkbox"/> <input type="checkbox"/> <input type="checkbox"/> <input type="checkbox"/>	13.0#	1279
70 x 29"		USPF7029F	<input type="checkbox"/> <input type="checkbox"/> <input type="checkbox"/> <input type="checkbox"/>	<input type="checkbox"/> <input type="checkbox"/> <input type="checkbox"/> <input type="checkbox"/>	14.0#	1306
82 x 29"		USPF8229F	<input type="checkbox"/> <input type="checkbox"/> <input type="checkbox"/> <input type="checkbox"/>	<input type="checkbox"/> <input type="checkbox"/> <input type="checkbox"/> <input type="checkbox"/>	15.0#	1330

A **B** **C**

HOW TO ORDER

- Indicate the following information on order form:
1. Quantity of each item.
 2. Model number, including options. See "How To Build a Model Number".
 3. Any special service required.

Note:

- The indicates that a choice is required.
- The absence of the indicates that no choice is required.
- Alpha-numeric characters in place of indicate that no other alternatives are available.

HOW TO BUILD A MODEL NUMBER

- A** Select basic model.
- B** Select base finish. Refer to the **Product Color Options** page in this price list.
- C** Select felt color. Refer to the **Product Color Options** page in this price list.

SPECIAL SERVICES

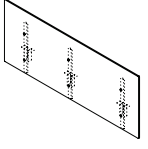
Special Carton Marking

With specially marked information N/C

Shipping
Ships **assembled, FOB Bonduel, WI 54107, freight prepaid.** Freight class 70.

Specifications and prices are subject to change without prior notice.



MODEL	W x H	MODEL NUMBER			Approx. Packaged Weight	Delivered Pricing
		Basic Model	Base Finish	Felt Color		
 <p>Universal Fixed Privacy Screens - Felt, 31" Tall</p> <ul style="list-style-type: none"> • Non-height adjustable • Screen 24" above worksurface • Screens attach to either the back length or side depth of tabletop based on closest nominal size • Monitor arms, modesty panels, and wire troughs may prohibit installation of screens • Screens are standard on select Pirouette, Toggle, and WorkUp tables (refer to chart on General Information page) 	23 x 31"	USPF2331F	<input type="checkbox"/> <input type="checkbox"/> <input type="checkbox"/> <input type="checkbox"/>	<input type="checkbox"/> <input type="checkbox"/> <input type="checkbox"/> <input type="checkbox"/>	8.0#	\$ 457
	29 x 31"	USPF2931F	<input type="checkbox"/> <input type="checkbox"/> <input type="checkbox"/> <input type="checkbox"/>	<input type="checkbox"/> <input type="checkbox"/> <input type="checkbox"/> <input type="checkbox"/>	8.0#	548
	35 x 31"	USPF3531F	<input type="checkbox"/> <input type="checkbox"/> <input type="checkbox"/> <input type="checkbox"/>	<input type="checkbox"/> <input type="checkbox"/> <input type="checkbox"/> <input type="checkbox"/>	9.0#	574
	46 x 31"	USPF4631F	<input type="checkbox"/> <input type="checkbox"/> <input type="checkbox"/> <input type="checkbox"/>	<input type="checkbox"/> <input type="checkbox"/> <input type="checkbox"/> <input type="checkbox"/>	10.0#	718
	52 x 31"	USPF5231F	<input type="checkbox"/> <input type="checkbox"/> <input type="checkbox"/> <input type="checkbox"/>	<input type="checkbox"/> <input type="checkbox"/> <input type="checkbox"/> <input type="checkbox"/>	12.0#	810
	58 x 31"	USPF5831F	<input type="checkbox"/> <input type="checkbox"/> <input type="checkbox"/> <input type="checkbox"/>	<input type="checkbox"/> <input type="checkbox"/> <input type="checkbox"/> <input type="checkbox"/>	13.0#	1279
	64 x 31"	USPF6431F	<input type="checkbox"/> <input type="checkbox"/> <input type="checkbox"/> <input type="checkbox"/>	<input type="checkbox"/> <input type="checkbox"/> <input type="checkbox"/> <input type="checkbox"/>	14.0#	1306
	70 x 31"	USPF7031F	<input type="checkbox"/> <input type="checkbox"/> <input type="checkbox"/> <input type="checkbox"/>	<input type="checkbox"/> <input type="checkbox"/> <input type="checkbox"/> <input type="checkbox"/>	14.0#	1330
	82 x 31"	USPF8231F	<input type="checkbox"/> <input type="checkbox"/> <input type="checkbox"/> <input type="checkbox"/>	<input type="checkbox"/> <input type="checkbox"/> <input type="checkbox"/> <input type="checkbox"/>	15.0#	1356

USPF

A **B** **C**

HOW TO ORDER

- Indicate the following information on order form:
1. Quantity of each item.
 2. Model number, including options. See "How To Build a Model Number".
 3. Any special service required.

Note:

- The indicates that a choice is required.
- The absence of the indicates that no choice is required.
- Alpha-numeric characters in place of indicate that no other alternatives are available.

HOW TO BUILD A MODEL NUMBER

- A** Select basic model.
- B** Select base finish. Refer to the **Product Color Options** page in this price list.
- C** Select felt color. Refer to the **Product Color Options** page in this price list.

SPECIAL SERVICES

Special Carton Marking

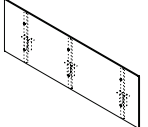
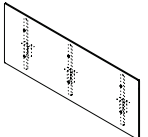
With specially marked information N/C

Shipping

Ships **assembled, FOB Bondue, WI 54107, freight prepaid.** Freight class 70.

Specifications and prices are subject to change without prior notice.



MODEL	W x H	MODEL NUMBER			Approx. Packaged Weight	Delivered Pricing Fabric Grade 1 & C.O.M.	Delivered Pricing Fabric Grade 2	Delivered Pricing Fabric Grade 3 & Pallas Vertical Fabric Grade PV	Delivered Pricing Pallas Vertical Fabric Grade PV1	Delivered Pricing Pallas Vertical Fabric Grade PV2
		Basic Model	Base Finish	Fabric Color						
 <p>Universal Fixed Privacy Screens - Fabric, 24" Tall</p> <ul style="list-style-type: none"> • Non-height adjustable • Screen 17" above worksurface • Screens attach to either the back length or side depth of tabletop based on closest nominal size • Monitor arms, modesty panels, and wire troughs may prohibit installation of screens • Screens are standard on select Pirouette, Toggle, and WorkUp tables (refer to chart on General Information page) 	23 x 24"	USFA2324F	<input type="checkbox"/> <input type="checkbox"/> <input type="checkbox"/> <input type="checkbox"/>	<input type="checkbox"/> <input type="checkbox"/> <input type="checkbox"/> <input type="checkbox"/>	9.0#	\$ 457	\$ 472	\$ 484	\$ 494	\$ 507
	29 x 24"	USFA2924F	<input type="checkbox"/> <input type="checkbox"/> <input type="checkbox"/> <input type="checkbox"/>	<input type="checkbox"/> <input type="checkbox"/> <input type="checkbox"/> <input type="checkbox"/>	10.0#	496	515	529	543	562
	35 x 24"	USFA3524F	<input type="checkbox"/> <input type="checkbox"/> <input type="checkbox"/> <input type="checkbox"/>	<input type="checkbox"/> <input type="checkbox"/> <input type="checkbox"/> <input type="checkbox"/>	10.0#	548	581	607	623	646
	46 x 24"	USFA4624F	<input type="checkbox"/> <input type="checkbox"/> <input type="checkbox"/> <input type="checkbox"/>	<input type="checkbox"/> <input type="checkbox"/> <input type="checkbox"/> <input type="checkbox"/>	12.0#	600	632	664	680	702
	52 x 24"	USFA5224F	<input type="checkbox"/> <input type="checkbox"/> <input type="checkbox"/> <input type="checkbox"/>	<input type="checkbox"/> <input type="checkbox"/> <input type="checkbox"/> <input type="checkbox"/>	15.0#	718	763	802	823	854
	58 x 24"	USFA5824F	<input type="checkbox"/> <input type="checkbox"/> <input type="checkbox"/> <input type="checkbox"/>	<input type="checkbox"/> <input type="checkbox"/> <input type="checkbox"/> <input type="checkbox"/>	16.0#	757	810	853	871	908
	64 x 24"	USFA6424F	<input type="checkbox"/> <input type="checkbox"/> <input type="checkbox"/> <input type="checkbox"/>	<input type="checkbox"/> <input type="checkbox"/> <input type="checkbox"/> <input type="checkbox"/>	17.0#	783	835	881	908	945
	70 x 24"	USFA7024F	<input type="checkbox"/> <input type="checkbox"/> <input type="checkbox"/> <input type="checkbox"/>	<input type="checkbox"/> <input type="checkbox"/> <input type="checkbox"/> <input type="checkbox"/>	17.0#	797	853	901	928	968
	82 x 24"	USFA8224F	<input type="checkbox"/> <input type="checkbox"/> <input type="checkbox"/> <input type="checkbox"/>	<input type="checkbox"/> <input type="checkbox"/> <input type="checkbox"/> <input type="checkbox"/>	19.0#	823	894	945	975	1021
 <p>Universal Fixed Privacy Screens/Modesty Panels - Fabric, 29" Tall</p> <ul style="list-style-type: none"> • Non-height adjustable • Screen 17" above worksurface • Modesty panel 10" below worksurface • Screens attach to either the back length or side depth of tabletop based on closest nominal size • Monitor arms, modesty panels, and wire troughs may prohibit installation of screens • Screens are standard on select Pirouette, Toggle, and WorkUp tables (refer to chart on General Information page) 	23 x 29"	USFA2329F	<input type="checkbox"/> <input type="checkbox"/> <input type="checkbox"/> <input type="checkbox"/>	<input type="checkbox"/> <input type="checkbox"/> <input type="checkbox"/> <input type="checkbox"/>	10.0#	\$ 484	\$ 498	\$ 510	\$ 520	\$ 532
	29 x 29"	USFA2929F	<input type="checkbox"/> <input type="checkbox"/> <input type="checkbox"/> <input type="checkbox"/>	<input type="checkbox"/> <input type="checkbox"/> <input type="checkbox"/> <input type="checkbox"/>	11.0#	523	542	555	570	588
	35 x 29"	USFA3529F	<input type="checkbox"/> <input type="checkbox"/> <input type="checkbox"/> <input type="checkbox"/>	<input type="checkbox"/> <input type="checkbox"/> <input type="checkbox"/> <input type="checkbox"/>	12.0#	574	607	632	652	673
	46 x 29"	USFA4629F	<input type="checkbox"/> <input type="checkbox"/> <input type="checkbox"/> <input type="checkbox"/>	<input type="checkbox"/> <input type="checkbox"/> <input type="checkbox"/> <input type="checkbox"/>	14.0#	626	659	689	709	728
	52 x 29"	USFA5229F	<input type="checkbox"/> <input type="checkbox"/> <input type="checkbox"/> <input type="checkbox"/>	<input type="checkbox"/> <input type="checkbox"/> <input type="checkbox"/> <input type="checkbox"/>	16.0#	823	868	908	932	957
	58 x 29"	USFA5829F	<input type="checkbox"/> <input type="checkbox"/> <input type="checkbox"/> <input type="checkbox"/>	<input type="checkbox"/> <input type="checkbox"/> <input type="checkbox"/> <input type="checkbox"/>	17.0#	887	939	983	1008	1038
	64 x 29"	USFA6429F	<input type="checkbox"/> <input type="checkbox"/> <input type="checkbox"/> <input type="checkbox"/>	<input type="checkbox"/> <input type="checkbox"/> <input type="checkbox"/> <input type="checkbox"/>	19.0#	900	953	997	1031	1064
	70 x 29"	USFA7029F	<input type="checkbox"/> <input type="checkbox"/> <input type="checkbox"/> <input type="checkbox"/>	<input type="checkbox"/> <input type="checkbox"/> <input type="checkbox"/> <input type="checkbox"/>	20.0#	927	983	1032	1065	1099
	82 x 29"	USFA8229F	<input type="checkbox"/> <input type="checkbox"/> <input type="checkbox"/> <input type="checkbox"/>	<input type="checkbox"/> <input type="checkbox"/> <input type="checkbox"/> <input type="checkbox"/>	22.0#	953	1024	1077	1115	1150

A **B** **C**

HOW TO ORDER

- Indicate the following information on order form:
1. Quantity of each item.
 2. Model number, including options. See "How To Build a Model Number".
 3. Any special service required.

Note:

- The indicates that a choice is required.
- The absence of the indicates that no choice is required.
- Alpha-numeric characters in place of indicate that no other alternatives are available.

HOW TO BUILD A MODEL NUMBER

- A** Select basic model.
- B** Select base finish. Refer to the **Product Color Options** page in this price list.
- C** Select fabric color. Refer to ki.com/fabrics

SPECIAL SERVICES

Special Carton Marking

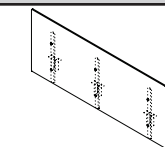
With specially marked information N/C

Shipping
Ships **assembled, FOB Bondue, WI 54107, freight prepaid.** Freight class 70.

Specifications and prices are subject to change without prior notice.



MODEL	W x H	MODEL NUMBER			Approx. Packaged Weight	Delivered Pricing Fabric Grade 1 & C.O.M.	Delivered Pricing Fabric Grade 2	Delivered Pricing Fabric Grade 3 & Pallas Vertical Fabric Grade PV	Delivered Pricing Pallas Vertical Fabric Grade PV1	Delivered Pricing Pallas Vertical Fabric Grade PV2
		Basic Model	Base Finish	Fabric Color						
Universal Fixed Privacy Screens - Fabric, 31" Tall • Non-height adjustable • Screen 24" above worksurface • Screens attach to either the back length or side depth of tabletop based on closest nominal size • Monitor arms, modesty panels, and wire troughs may prohibit installation of screens • Screens are standard on select Pirouette, Toggle, and WorkUp tables (refer to chart on General Information page)	23 x 31"	USFA2331F	<input type="checkbox"/> <input type="checkbox"/> <input type="checkbox"/> <input type="checkbox"/>	<input type="checkbox"/> <input type="checkbox"/> <input type="checkbox"/> <input type="checkbox"/>	10.0#	\$ 510	\$ 525	\$ 536	\$ 546	\$ 558
	29 x 31"	USFA2931F	<input type="checkbox"/> <input type="checkbox"/> <input type="checkbox"/> <input type="checkbox"/>	<input type="checkbox"/> <input type="checkbox"/> <input type="checkbox"/> <input type="checkbox"/>	11.0#	548	568	582	597	613
	35 x 31"	USFA3531F	<input type="checkbox"/> <input type="checkbox"/> <input type="checkbox"/> <input type="checkbox"/>	<input type="checkbox"/> <input type="checkbox"/> <input type="checkbox"/> <input type="checkbox"/>	12.0#	600	632	659	679	699
	46 x 31"	USFA4631F	<input type="checkbox"/> <input type="checkbox"/> <input type="checkbox"/> <input type="checkbox"/>	<input type="checkbox"/> <input type="checkbox"/> <input type="checkbox"/> <input type="checkbox"/>	14.0#	652	685	716	736	755
	52 x 31"	USFA5231F	<input type="checkbox"/> <input type="checkbox"/> <input type="checkbox"/> <input type="checkbox"/>	<input type="checkbox"/> <input type="checkbox"/> <input type="checkbox"/> <input type="checkbox"/>	17.0#	874	920	958	984	1010
	58 x 31"	USFA5831F	<input type="checkbox"/> <input type="checkbox"/> <input type="checkbox"/> <input type="checkbox"/>	<input type="checkbox"/> <input type="checkbox"/> <input type="checkbox"/> <input type="checkbox"/>	18.0#	900	953	995	1021	1050
	64 x 31"	USFA6431F	<input type="checkbox"/> <input type="checkbox"/> <input type="checkbox"/> <input type="checkbox"/>	<input type="checkbox"/> <input type="checkbox"/> <input type="checkbox"/> <input type="checkbox"/>	19.0#	913	966	1011	1044	1077
	70 x 31"	USFA7031F	<input type="checkbox"/> <input type="checkbox"/> <input type="checkbox"/> <input type="checkbox"/>	<input type="checkbox"/> <input type="checkbox"/> <input type="checkbox"/> <input type="checkbox"/>	20.0#	953	1009	1059	1091	1124
82 x 31"	USFA8231F	<input type="checkbox"/> <input type="checkbox"/> <input type="checkbox"/> <input type="checkbox"/>	<input type="checkbox"/> <input type="checkbox"/> <input type="checkbox"/> <input type="checkbox"/>	23.0#	980	1050	1102	1141	1177	



USFA

A **B** **C**

HOW TO ORDER

- Indicate the following information on order form:
- Quantity of each item.
 - Model number, including options. See "How To Build a Model Number".
 - Any special service required.

Note:

- The indicates that a choice is required.
- The absence of the indicates that no choice is required.
- Alpha-numeric characters in place of indicate that no other alternatives are available.

HOW TO BUILD A MODEL NUMBER

- A** Select basic model.
- B** Select base finish. Refer to the **Product Color Options** page in this price list.
- C** Select fabric color. Refer to ki.com/fabrics

SPECIAL SERVICES

Special Carton Marking

With specially marked information N/C

Shipping

Ships **assembled, FOB Bondue, WI 54107, freight prepaid.** Freight class 70.

Specifications and prices are subject to change without prior notice.



1330 BELLEVUE STREET
GREEN BAY, WI 54302
800.424.2432 / KI.COM

KI is a trusted expert for furniture and wall systems around the globe.
USA | CANADA | MEXICO | UK | EUROPE | ASIA | MIDDLE EAST
© 2025 Krueger International, Inc. All Rights Reserved.