



ZENTORITM
CONFERENCE CHAIRS
AND STOOLS

PRICE LIST

EFFECTIVE FEBRUARY 18, 2026
800.424.2432



Ordering Customer's Own Material (C.O.M.) Upholstery	
Information	4

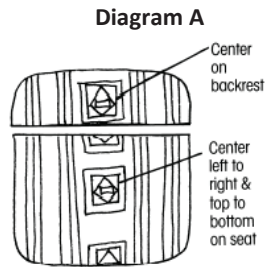
Zentori™ Conference Chairs and Stools	
Technical Specifications	5
Product Color Options	7
Low-Back Conference Chair	8
Mid-Back Conference Chair	9
High-Back Conference Chair	10
Low-Back Stool	11



How to Specify

As a standard procedure, KI applies seating upholstery as swatched by the textile distributor. Reference distributor's website. Upholstery that is required to be applied differently than is swatched, will need a Product Modification Request written specifying the direction the upholstery is to be applied.

Seating upholstery requiring specific positioning of intricate patterns or patterns repeats on seats and backrests, will need a Product Modification Request written including a sketch noting the specific requirements, as in Diagram A.



When directional or patterned fabrics are used, they often require more yardage than solid colors.

C.O.M. must be supplied in continuous yardage.

C.O.M. yardage requirements accompanying products in the pricing section are for 10 chairs/seats or less, 54" wide nondirectional material. On larger orders, less material is required.

Leather hides must be a minimum of 50 square feet of usable material. The outer edges cannot be calculated as square feet or yardage. To determine square footage, multiply unit yardage by 18 square feet to obtain the total square footage required per unit.

For exact production yardage requirements, call 1-800-424-2432, ext. 2707.

Production

Customer's upholstery must be approved prior to acceptance for production.

C.O.M. not received into the appropriate facility 3 weeks prior to acknowledged delivery date may go on hold. See KI C.O.M. Shipping Location listing for the correct facility address by product.

Testing

When KI requires testing, actual yardage to upholster one chair may be required. The C.O.M. Specialist will confirm model and fabric testing requirements when applicable.

Approved test samples will be applied to the order or will be held for 6 months. After 6 months, the sample will no longer be applied to your order. For all product testing, send fabric samples to the manufacturing facility. See KI C.O.M. Shipping Location listing for the correct facility address by product.

All C.O.M. must be labeled with the KI product order number and customer purchase order number.

Treated Materials

If C.O.M. requires processing such as a stain resistance treatment or acrylic backing, it may shrink. To prevent delays in delivery or back ordering due to shrinkage, please have your processor verify measurement after processing and assure adequate yardage shipped.

Split Orders

If a portion of the shipment which does not require C.O.M. application is to be processed and shipped early, KI will enter the order immediately at your request. These split shipments are subject to minimum order changes.

Excess Upholstery Material

KI will dispose of excess upholstery material at the time of shipment unless expressly requested to return it with the product shipment.

Cancelled or Changed Orders

KI assumes no responsibility for extra C.O.M. due to a change of upholstery or cancellation of an order. If it the customer's responsibility to arrange for return of the material.

Contact the C.O.M. Specialist at 1-800-424-2432, ext. 2707, with questions or to request a split order.

C.O.M. SHIPPING LOCATION

Architectural Walls
 Evoke..... MN
 Genius..... MN

Casegoods
 Aristotle.....MN
 Likha.....MN

Classroom Furniture
 Cogni GB
 Intellect Wave GB
 Learn2.....GB
 Ruckus.....GB

Desking
 700 Series KP
 Balance MN
 Genesis MN
 True KP
 Universal MN
 WorkZone MN

Files & Storage
 700 Series..... GB
 ConnectionBW
 U-Series.....GB
 Tattoo.....BW

Fixed Seating
 Concerto.....BW
 Single Pedestal GB
 Jury Base GB
 Lancaster.....BW
 Sequence GB
 University GB

Panel Systems
 All Terrain.....KP
 Balance MN
 Universal MN
 Wireworks MN
 Unite..... MN

Residence Hall Furniture
 RoomScape MN

Screens
 All Terrain.....KP
 Connection Zone.....BW
 Tribulaire.....BW
 True/VolitionKP
 Genesis..... KP
 Tattoo..... MN
 Universal.....BW

Seating
 600 Series.....BW
 Affina HN
 Altus GB
 Apply GB
 Calida HN
 Cascha VT
 Civara VT
 Clamber HN
 Cogni GB
 Diem OM
 Doni GB
 GladlyVQ
 Grazie GB
 Hub HN
 Impress OM

Impress Ultra OM
 Intellect Wave GB
 Jessa HN
 JubileeVQ
 Katera..... GB
 Kurv Benches.....HN
 Learn2.....GB
 LimeLite.....GB
 Lyra HN
 Medical & Laboratory Stools..... OM
 MyPlace HN
 MyWay HN
 Oath GB
 Opt4 GB
 Pilot OM
 PromenadeBW
 Ruckus..... GB
 Sela HN
 Sift GB
 Signia..... OM
 Soltice Metal HN
 Soltice..... HN
 Sonrisa HN
 Strive..... GB
 Sway BW
 Tattoo..... HN
 Torsion-on-the-Go!GB
 Torsion Air GB
 Zeker HN
 Zentori VT
 Zoetry HN

KI C.O.M. Manufacturing Site Addresses:

BW
 KI Bonduel
 Attn: COM Storage
 204 West South St.
 Bonduel, WI 54107

HN
 KI High Point
 Attn: COM Storage
 217 Feld Avenue
 High Point, NC 27263

MN
 KI Manitowoc
 Attn: COM Storage
 1400 S. 41st St.
 Manitowoc, WI 54220

VQ
 KI
 Attn: COM Fabrics
 6892 Marlin Circle
 La Palma, CA 90623

GB
 KI Green Bay
 Attn: COM Storage
 1687 Westminster Drive - Gate 3
 Green Bay, WI 54302

KP
 KI Pembroke
 Attn: COM Storage
 1000 Olympic Dr.
 Pembroke, Ontario K8A6X7

OM
 KI
 Attn: COM Storage
 1110 S. Mildred Ave.
 Ontario, CA 91761

VT
 KI
 Attn: COM Storage
 2803 South Taylor Drive
 Sheboygan, WI 53081

TECHNICAL SPECIFICATIONS

Mechanism

The self-weighting mechanism is constructed of stamped steel, shrouded with a plastic trim cover. Seat-height lever adjusts the pneumatic cylinder with $4\frac{3}{4}$ " of travel, from $16\frac{3}{4}$ " to $21\frac{1}{2}$ " for the chair. Height adjustment for stools is $7\frac{1}{4}$ " of travel, from $21\frac{1}{2}$ " to $28\frac{3}{4}$ ".

Chair models have an adjustment for back recline, or may be locked to provide support when in an upright position.

An optional tilt tension is available on the chair and is adjusted by turning the wheel located under the seat, to the left or right. The stool has the tilt locked in position for stability reasons.

Seat

Upholstered seat construction is polypropylene seat board with $2\frac{1}{2}$ " inches of high resiliency (HR) foam featuring a simple waterfall front edge. Foam passes CA TB-117-2013 standard. Seat width is $19\frac{1}{2}$ ". The seat shroud color matches the frame color choice.

Backrest

The backrest is fully upholstered (front and back), using a 3.7 lb high-density molded foam that passes CA TB-117-2013 standard.

Bases

The chair and stool offer two options; a 5-Star nylon base or a 5-Star aluminum base. The cylinders on the chair and stool are always black.

Casters

Casters are 60 mm O.D., double-wheel high-impact nylon, and are designed for use on both commercial carpet and hard floor applications. The standard caster is black only while the designer caster is black with a white diameter stripe.

Arms

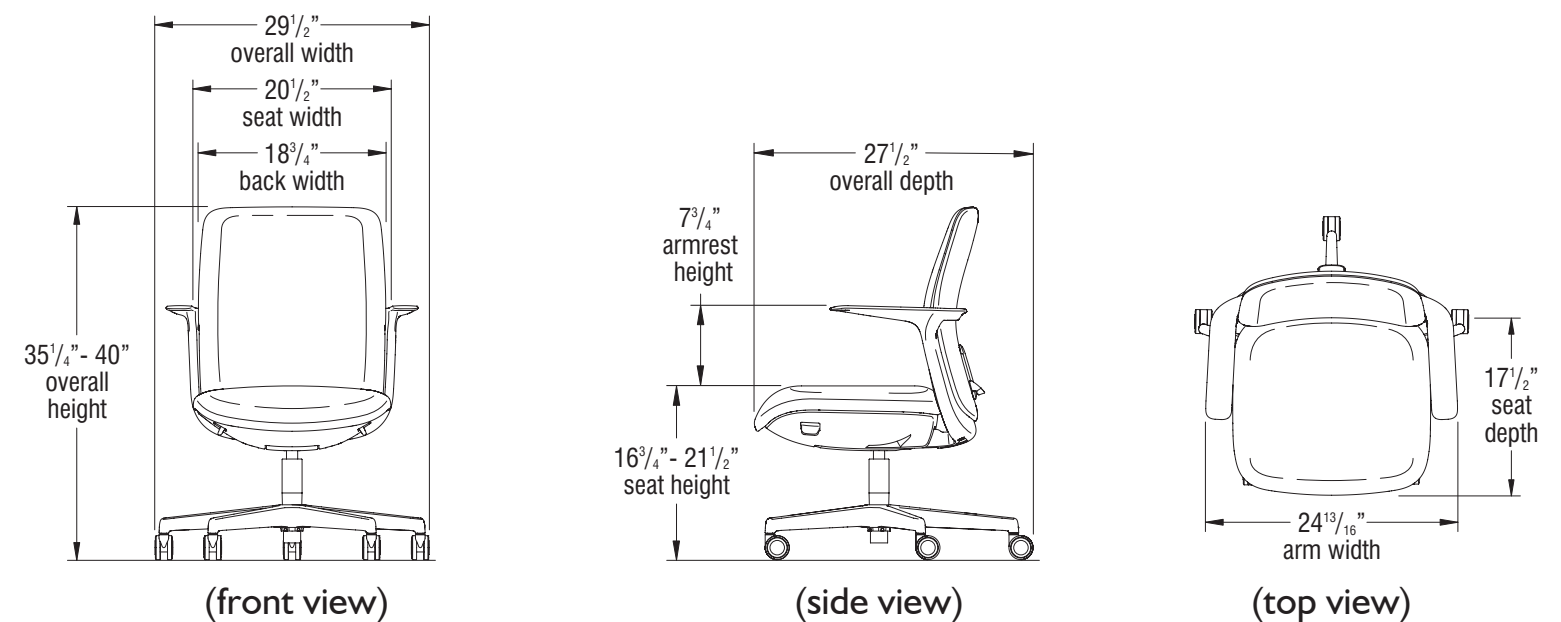
Arms are fixed-height only and are integrated into the plastic J-Bar, which wraps around the backrest. The arms color is determined by the frame color choice.

Foot Ring

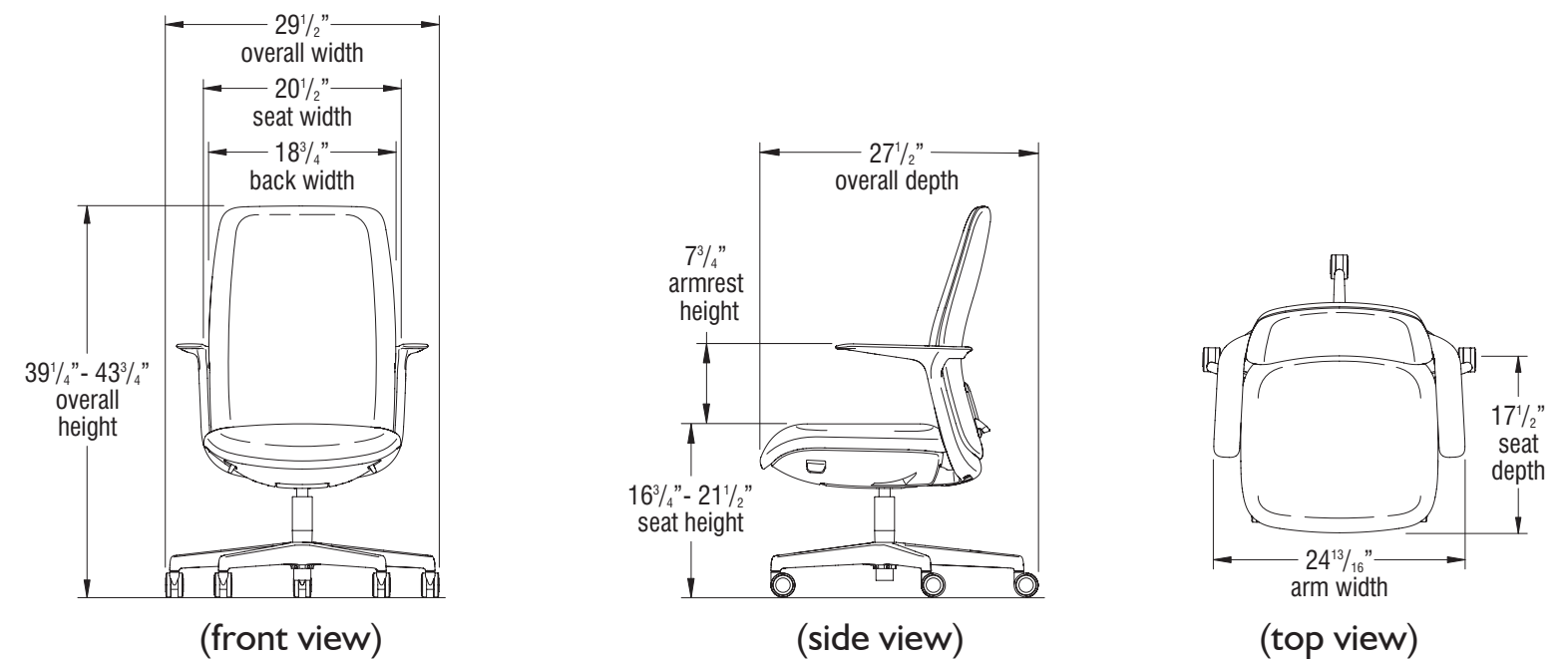
Stools are equipped with an adjustable-height foot ring which features a twist-to-lock, or unlock height adjustment. Foot ring is 20" diameter tubular steel with four spokes. The color is always black.

DIMENSIONS

Zentori Conference Chairs - Low Back - (model ZNCLFP shown)

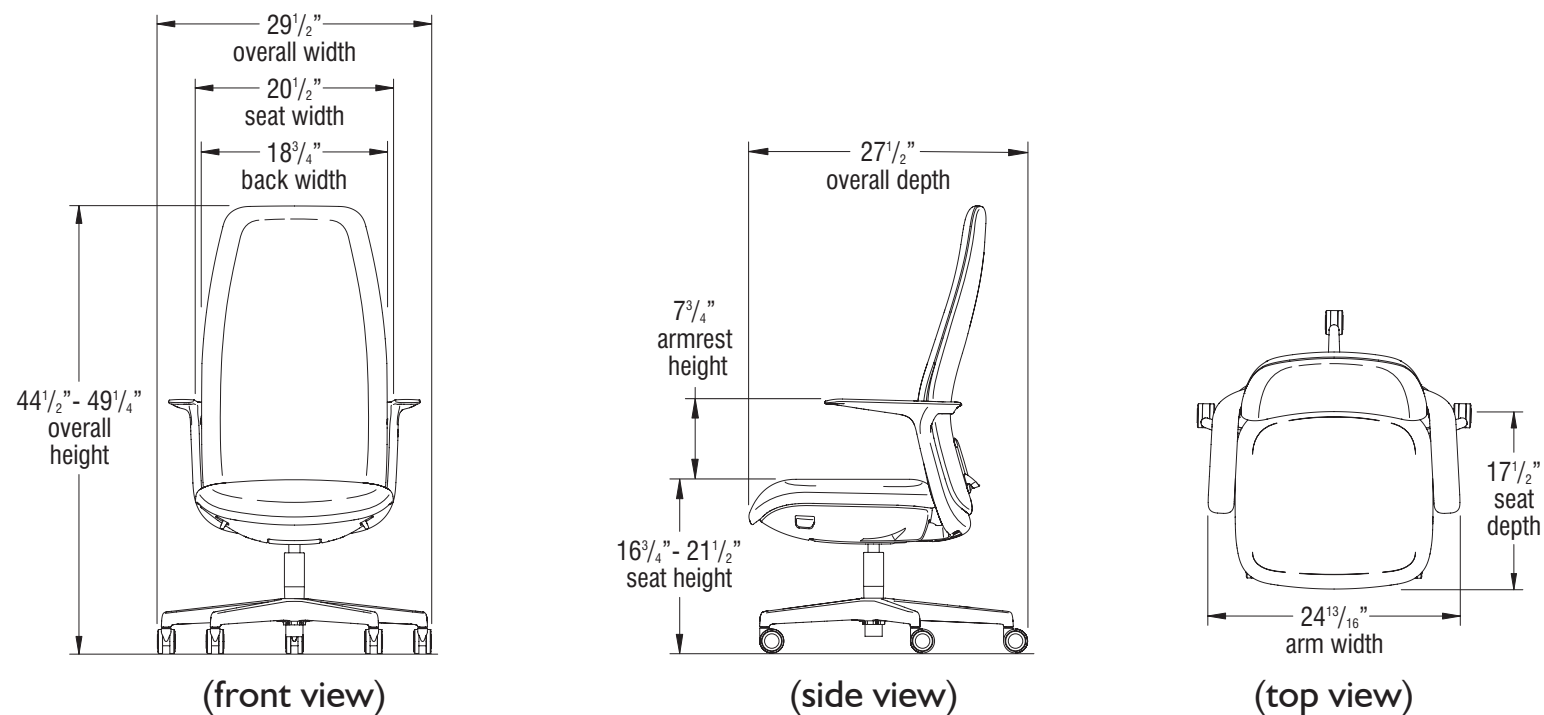


Zentori Conference Chairs - Mid Back - (model ZNCFM shown)



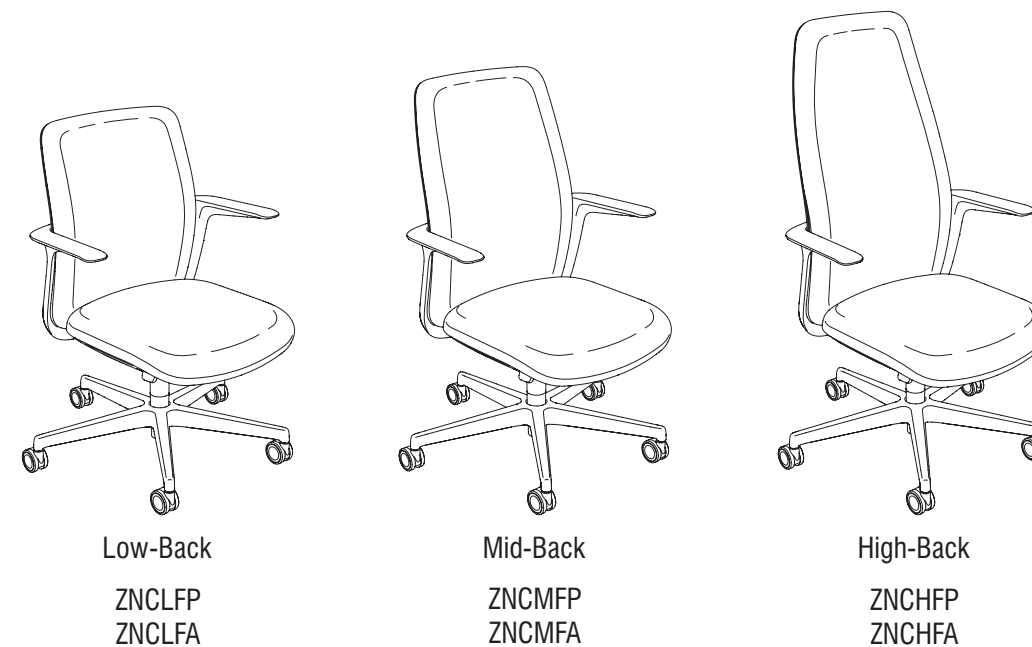


Zentori Conference Chairs - High Back - (model ZNCHF shown)

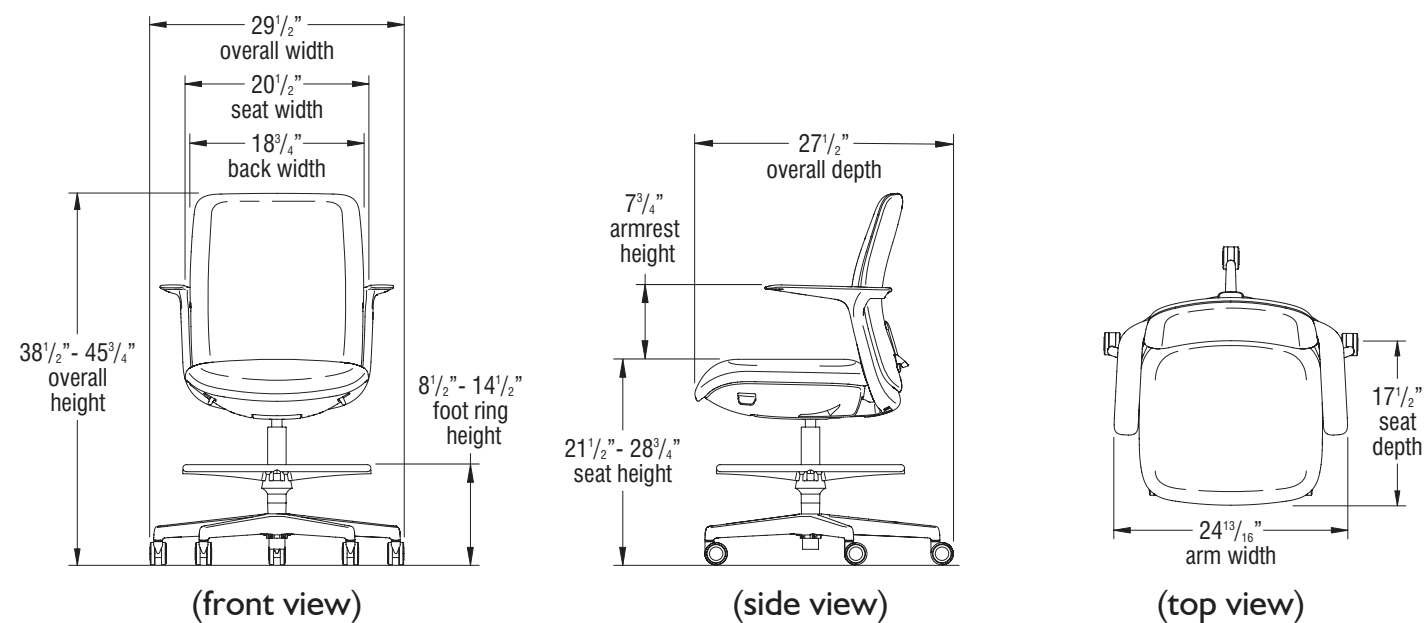


STATEMENT OF LINE

Zentori Conference Chairs



Zentori Conference Stool - Low Back - (model ZNSLFA shown)



Zentori Conference Stool





Frame Color

Black	BL
White	WH
Warm Grey	WG

Finish Cards

View color swatches for items listed within this document.

[Paints](#)

[Wood/Veneer](#)

[Molded Edges](#)

[Hard Plastics](#)

[Plastics/Poly](#)

[Laminates](#)

[Edge Styles](#)

[Glass](#)

Certain options referenced may not be available on GSA Schedule.



Zentori™ Conference Chairs and Stools

Low-Back Conference Chair



Zentori™ Conference Chairs and Stools

Low-Back Conference Chair

MODEL	Features	MODEL NUMBER						Approx. Packaged Weight	Delivered Pricing Fabric Grade 1 & C.O.M.	Delivered Pricing Fabric Grade 2	Delivered Pricing Fabric Grade 3	Delivered Pricing Vinyl Group 2V	Delivered Pricing Pallas Fabric Group P0	Delivered Pricing Pallas Fabric Group P1	Delivered Pricing Pallas Fabric Group P2	Delivered Pricing Pallas Fabric Group P3
		Basic Model	Lumbar Option	Tilt Tension	Frame Color	Caster Type	Upholstery Color									
 ZNCLF	Low-Back Conference Chair, Uph Seat & Fully Uph Back, 5-Star Plastic Base, Fixed Arm Plastic Base • Self-weighting mechanism • Optional vertical adjustable lumbar • Optional tilt tension adjustment • Seat height adjustment • One Position Back lock • Available with fixed arm only • Fully upholstered backrest • Armrest/Frame/5-Star base available in Black, White or Warm Grey • Dual-Surface Standard caster (black) or Dual Surface Designer Caster in Black/White • 300 pound weight rating	ZNCLFP	<input type="checkbox"/>	<input type="checkbox"/>	<input type="checkbox"/>	<input type="checkbox"/>	<input type="checkbox"/>	47.00#	\$ 861	\$ 952	\$ 979	\$ 952	\$ 1021	\$ 1062	\$ 1102	\$ 1143
 ZNCLF	Low-Back Conference Chair, Uph Seat & Fully Uph Back, 5-Star Aluminum Base, Fixed Arm Aluminum Base • Self-weighting mechanism • Optional vertical adjustable lumbar • Optional tilt tension adjustment • Seat height adjustment • One Position Back lock • Available with fixed arm only • Fully upholstered backrest • Backrest and armrest available in Black, White or Warm Grey • 5-Star base in polished aluminum • Dual-Surface Standard caster (black) or Dual Surface Designer Caster in Black/White • 300 pound weight rating	ZNCLFA	<input type="checkbox"/>	<input type="checkbox"/>	<input type="checkbox"/>	<input type="checkbox"/>	<input type="checkbox"/>	49.00#	\$ 895	\$ 981	\$ 1007	\$ 981	\$ 1047	\$ 1086	\$ 1124	\$ 1163

A **B** **C** **D** **E** **F**

HOW TO ORDER

- Indicate the following information on order form:
- Quantity of each item.
 - Model number, including options. See "How To Build a Model Number".
 - Any special service required.

Note:

- The indicates that a choice is required.
- The absence of the indicates that no choice is required.
- Alpha-numeric characters in place of indicate that no other alternatives are available.

HOW TO BUILD A MODEL NUMBER

Refer to ki.com/fabrics

- A** Select basic model.
- B** Select lumbar option.

N	- No adjustable lumbar mechanism
L	- Vertical-adjustable lumbar mechanism; add \$59
- C** Select tilt tension.

NT	- No Tilt Tension
TT	- Tilt Tension; add \$49
- D** Select frame color.

BL	- Black
WG	- Warm Grey; add \$84
WH	- White
- E** Select caster option.

C	- Dual surface casters, black (standard)
BC	- Dual surface casters, black/white; add \$19
- F** Select upholstery grade/color.

UPHOLSTERY INFORMATION

COM. Upholstery
 COM. requirement for 10 chairs or less with upholstered back is 1.5 yard per chair for Low-Back and Mid-Back chairs or 1.75 yards per chair for High-Back chairs of 54" wide nondirectional fabric. For orders of 11 or more and for complete information on ordering C.O.M. see "Ordering Customer's Own Material (C.O.M) Upholstery." section.

SPECIAL SERVICES

Special Carton Marking
 With specially marked information N/C

Shipping
Ships knocked down, FOB Sheboygan, WI 53081, freight prepaid.

Specifications and prices are subject to change without prior notice.



Zentori™ Conference Chairs and Stools

Mid-Back Conference Chair



Zentori™ Conference Chairs and Stools

Mid-Back Conference Chair

MODEL	Features	MODEL NUMBER						Approx. Packaged Weight	Delivered Pricing Fabric Grade 1 & C.O.M.	Delivered Pricing Fabric Grade 2	Delivered Pricing Fabric Grade 3	Delivered Pricing Vinyl Group 2V	Delivered Pricing Pallas Fabric Group P0	Delivered Pricing Pallas Fabric Group P1	Delivered Pricing Pallas Fabric Group P2	Delivered Pricing Pallas Fabric Group P3	
		Basic Model	Lumbar Option	Tilt Tension	Frame Color	Caster Type	Upholstery Color										
 ZNCMF Mid-Back Conference Chair, Uph Seat & Fully Uph Back, 5-Star Plastic Base, Fixed Arm <ul style="list-style-type: none"> • Self-weighting mechanism • Optional vertical adjustable lumbar • Optional tilt tension adjustment • Seat height adjustment • One Position Back lock • Available with fixed arm only • Fully upholstered backrest • Armrest/Frame/5-Star base available in Black, White or Warm Grey • Dual-Surface Standard caster (black) or Dual Surface Designer Caster in Black/White • 300 pound weight rating 	Plastic Base	ZNCMFP	<input type="checkbox"/>	<input type="checkbox"/>	<input type="checkbox"/>	<input type="checkbox"/>	<input type="checkbox"/>	<input type="checkbox"/>	48.00#	\$ 891	\$ 981	\$ 1008	\$ 981	\$ 1050	\$ 1091	\$ 1131	\$ 1172
	<ul style="list-style-type: none"> • Self-weighting mechanism • Optional vertical adjustable lumbar • Optional tilt tension adjustment • Seat height adjustment • One Position Back lock • Available with fixed arm only • Fully upholstered backrest • Armrest/Frame/5-Star base available in Black, White or Warm Grey • Dual-Surface Standard caster (black) or Dual Surface Designer Caster in Black/White • 300 pound weight rating 																
 ZNCMF Mid-Back Conference Chair, Uph Seat & Fully Uph Back, 5-Star Aluminum Base, Fixed Arm <ul style="list-style-type: none"> • Self-weighting mechanism • Optional vertical adjustable lumbar • Optional tilt tension adjustment • Seat height adjustment • One Position Back lock • Available with fixed arm only • Fully upholstered backrest • Backrest and armrest available in Black, White or Warm Grey • 5-Star base in polished aluminum • Dual-Surface Standard caster (black) or Dual Surface Designer Caster in Black/White • 300 pound weight rating 	Aluminum Base	ZNCMFA	<input type="checkbox"/>	<input type="checkbox"/>	<input type="checkbox"/>	<input type="checkbox"/>	<input type="checkbox"/>	<input type="checkbox"/>	50.00#	\$ 924	\$ 1010	\$ 1036	\$ 1010	\$ 1076	\$ 1115	\$ 1153	\$ 1192
	<ul style="list-style-type: none"> • Self-weighting mechanism • Optional vertical adjustable lumbar • Optional tilt tension adjustment • Seat height adjustment • One Position Back lock • Available with fixed arm only • Fully upholstered backrest • Backrest and armrest available in Black, White or Warm Grey • 5-Star base in polished aluminum • Dual-Surface Standard caster (black) or Dual Surface Designer Caster in Black/White • 300 pound weight rating 																

A **B** **C** **D** **E** **F**

HOW TO ORDER

Indicate the following information on order form:

1. Quantity of each item.
2. Model number, including options. See "How To Build a Model Number".
3. Any special service required.

Note:

- The indicates that a choice is required.
- The absence of the indicates that no choice is required.
- Alpha-numeric characters in place of indicate that no other alternatives are available.

HOW TO BUILD A MODEL NUMBER Refer to ki.com/fabrics

A Select basic model.

B Select lumbar option.

N - No adjustable lumbar mechanism
L - Vertical-adjustable lumbar mechanism; add \$59

C Select tilt tension.

NT - No Tilt Tension
TT - Tilt Tension; add \$49

D Select frame color.

BL - Black
WG - Warm Grey; add \$84
WH - White

E Select caster option.

C - Dual surface casters, black (standard)
BC - Dual surface casters, black/white; add \$19

F Select upholstery grade/color.

UPHOLSTERY INFORMATION

COM. Upholstery
 COM. requirement for 10 chairs or less with upholstered back is 1.5 yard per chair for Low-Back and Mid-Back chairs or 1.75 yards per chair for High-Back chairs of 54" wide nondirectional fabric. For orders of 11 or more and for complete information on ordering C.O.M. see "Ordering Customer's Own Material (C.O.M) Upholstery." section.

SPECIAL SERVICES

Special Carton Marking
 With specially marked information N/C

Shipping
Ships knocked down, FOB Sheboygan, WI 53081, freight prepaid.

Specifications and prices are subject to change without prior notice.



Zentori™ Conference Chairs and Stools

High-Back Conference Chair



Zentori™ Conference Chairs and Stools

High-Back Conference Chair

MODEL	Features	MODEL NUMBER						Approx. Packaged Weight	Delivered Pricing Fabric Grade 1 & C.O.M.	Delivered Pricing Fabric Grade 2	Delivered Pricing Fabric Grade 3	Delivered Pricing Vinyl Group 2V	Delivered Pricing Pallas Fabric Group P0	Delivered Pricing Pallas Fabric Group P1	Delivered Pricing Pallas Fabric Group P2	Delivered Pricing Pallas Fabric Group P3	
		Basic Model	Lumbar Option	Tilt Tension	Frame Color	Caster Type	Upholstery Color										
 ZNCHF	High-Back Conference Chair, Uph Seat & Fully Uph Back, 5-Star Plastic Base, Fixed Arm • Self-weighting mechanism • Optional vertical adjustable lumbar • Optional tilt tension adjustment • Seat height adjustment • One Position Back lock • Available with fixed arm only • Fully upholstered backrest • Armrest/Frame/5-Star base available in Black, White or Warm Grey • Dual-Surface Standard caster (black) or Dual Surface Designer Caster in Black/White • 300 pound weight rating	Plastic Base	ZNCHFP	<input type="checkbox"/>	<input type="checkbox"/>	<input type="checkbox"/>	<input type="checkbox"/>	<input type="checkbox"/>	<input type="checkbox"/>	<input type="checkbox"/>	<input type="checkbox"/>	<input type="checkbox"/>	<input type="checkbox"/>	<input type="checkbox"/>	<input type="checkbox"/>	<input type="checkbox"/>	<input type="checkbox"/>
		49.00#	\$ 895	\$ 985	\$ 1013	\$ 985	\$ 1055	\$ 1096	\$ 1136	\$ 1176							
 ZNCHF	High-Back Conference Chair, Uph Seat & Fully Uph Back, 5-Star Aluminum Base, Fixed Arm • Self-weighting mechanism • Optional vertical adjustable lumbar • Optional tilt tension adjustment • Seat height adjustment • One Position Back lock • Available with fixed arm only • Fully upholstered backrest • Backrest and armrest available in Black, White or Warm Grey • 5-Star base in polished aluminum • Dual-Surface Standard caster (black) or Dual Surface Designer Caster in Black/White • 300 pound weight rating	Aluminum Base	ZNCHFA	<input type="checkbox"/>	<input type="checkbox"/>	<input type="checkbox"/>	<input type="checkbox"/>	<input type="checkbox"/>	<input type="checkbox"/>	<input type="checkbox"/>	<input type="checkbox"/>	<input type="checkbox"/>	<input type="checkbox"/>	<input type="checkbox"/>	<input type="checkbox"/>	<input type="checkbox"/>	<input type="checkbox"/>
		51.00#	\$ 928	\$ 1014	\$ 1040	\$ 1014	\$ 1080	\$ 1119	\$ 1157	\$ 1196							

A **B** **C** **D** **E** **F**

HOW TO ORDER

- Indicate the following information on order form:
- Quantity of each item.
 - Model number, including options. See "How To Build a Model Number".
 - Any special service required.

Note: • The indicates that a choice is required.
 • The absence of the indicates that no choice is required.
 • Alpha-numeric characters in place of indicate that no other alternatives are available.

HOW TO BUILD A MODEL NUMBER

Refer to ki.com/fabrics

- A** Select basic model.
- B** Select lumbar option.

N	- No adjustable lumbar mechanism
L	- Vertical-adjustable lumbar mechanism; add \$59
- C** Select tilt tension.

NT	- No Tilt Tension
TT	- Tilt Tension; add \$49
- D** Select frame color.

BL	- Black
WG	- Warm Grey; add \$84
WH	- White
- E** Select caster option.

C	- Dual surface casters, black (standard)
BC	- Dual surface casters, black/white; add \$19
- F** Select upholstery grade/color.

UPHOLSTERY INFORMATION

COM. Upholstery
 COM. requirement for 10 chairs or less with upholstered back is 1.5 yard per chair for Low-Back and Mid-Back chairs or 1.75 yards per chair for High-Back chairs of 54" wide nondirectional fabric. For orders of 11 or more and for complete information on ordering C.O.M. see "Ordering Customer's Own Material (C.O.M) Upholstery." section.

SPECIAL SERVICES



Special Carton Marking

With specially marked information N/C

Shipping
Ships knocked down, FOB Sheboygan, WI 53081, freight prepaid.

Specifications and prices are subject to change without prior notice.



MODEL	Features	MODEL NUMBER					Approx. Packaged Weight	Delivered Pricing Fabric Grade 1 & C.O.M.	Delivered Pricing Fabric Grade 2	Delivered Pricing Fabric Grade 3	Delivered Pricing Vinyl Group 2V	Delivered Pricing Pallas Fabric Group P0	Delivered Pricing Pallas Fabric Group P1	Delivered Pricing Pallas Fabric Group P2	Delivered Pricing Pallas Fabric Group P3															
		Basic Model	Lumbar Option	Frame Color	Caster Type	Upholstery Color																								
 ZNSLF	Low-Back Stool, Uph Seat & Fully Uph Back, 5-Star Plastic Base, Fixed Arm • Self-weighing mechanism • Optional vertical adjustable lumbar • Seat height adjustment • One Position Back lock • Available with fixed arm only • 20" Twist-to-Lock Foot Ring • Fully upholstered backrest • Armrest/Frame/5-Star base available in Black, White or Warm Grey • Dual-Surface Standard caster (black) or Dual Surface Designer Caster in Black/White • 300 pound weight rating	Plastic Base	ZNSLFP	<input type="checkbox"/>	<input type="checkbox"/>	<input type="checkbox"/>	<input type="checkbox"/>	<input type="checkbox"/>	<input type="checkbox"/>	<input type="checkbox"/>	<input type="checkbox"/>	<input type="checkbox"/>	<input type="checkbox"/>	<input type="checkbox"/>	<input type="checkbox"/>	<input type="checkbox"/>	54.00#	\$ 982	\$ 1068	\$ 1094	\$ 1068	\$ 1134	\$ 1173	\$ 1211	\$ 1250					
		Aluminum Base	ZNSLFA	<input type="checkbox"/>	<input type="checkbox"/>	<input type="checkbox"/>	<input type="checkbox"/>	<input type="checkbox"/>	<input type="checkbox"/>	<input type="checkbox"/>	<input type="checkbox"/>	<input type="checkbox"/>	<input type="checkbox"/>	<input type="checkbox"/>	<input type="checkbox"/>	<input type="checkbox"/>	<input type="checkbox"/>	56.00#	\$ 1058	\$ 1144	\$ 1170	\$ 1144	\$ 1210	\$ 1249	\$ 1287	\$ 1326				
 ZNSLF	Low-Back Stool, Uph Seat & Fully Uph Back, 5-Star Aluminum Base, Fixed Arm • Self-weighing mechanism • Optional vertical adjustable lumbar • Seat height adjustment • One Position Back lock • Available with fixed arm only • 20" Twist-to-Lock Foot Ring • Fully upholstered backrest • Backrest and armrest available in Black, White or Warm Grey • 5-Star base in polished aluminum • Dual-Surface Standard caster (black) or Dual Surface Designer Caster in Black/White • 300 pound weight rating																													

A **B** **C** **D** **E**

HOW TO ORDER

- Indicate the following information on order form:
- Quantity of each item.
 - Model number, including options. See "How To Build a Model Number".
 - Any special service required.

Note: • The indicates that a choice is required.
 • The absence of the indicates that no choice is required.
 • Alpha-numeric characters in place of indicate that no other alternatives are available.

HOW TO BUILD A MODEL NUMBER

- A** Select basic model.
- B** Select lumbar option.

N	- No adjustable lumbar mechanism
L	- Vertical-adjustable lumbar mechanism; add \$59
- C** Select frame color.

BL	- Black
WG	- Warm Grey; add \$84
WH	- White
- D** Select caster option.

C	- Dual surface casters, black (standard)
BC	- Dual surface casters, black/white; add \$19
- E** Select upholstery grade/color. Refer to ki.com/fabrics

UPHOLSTERY INFORMATION

COM. Upholstery
 COM. requirement for 10 chairs or less with upholstered back is 1.5 yard per chair for Low-Back and Mid-Back chairs or 1.75 yards per chair for High-Back chairs of 54" wide nondirectional fabric. For orders of 11 or more and for complete information on ordering C.O.M. see "Ordering Customer's Own Material (C.O.M) Upholstery." section.

SPECIAL SERVICES

Special Carton Marking

With specially marked information N/C

Shipping
Ships knocked down, FOB Sheboygan, WI 53081, freight prepaid.

Specifications and prices are subject to change without prior notice.



1330 BELLEVUE STREET
GREEN BAY, WI 54302
800.424.2432 / KI.COM

KI is a trusted expert for furniture and wall systems around the globe.
USA | CANADA | MEXICO | UK | EUROPE | ASIA | MIDDLE EAST
© 2024 Krueger International, Inc. All Rights Reserved.