



# ZOETRY<sup>®</sup> COLLECTION

---

PRICE LIST

EFFECTIVE MARCH 31, 2026  
800.424.2432

<b>Fabric Yardage Pricing</b>	3
<b>Ordering Customer's Own Material (C.O.M.) Upholstery</b>	
Information	4
<b>Zoetry® Collection</b>	
Technical Specifications	6
General Technical Specifications	7
Product Color Options	8
<b>Zoetry® Guest Seating</b>	
Technical Specifications - Guest Seating	9
Guest Chair	11
Guest Loveseat	12
Tandem Guest Loveseat	14
Guest Sofa	16
Tandem Guest Sofa	18
Tandem Guest Sofa with Table	19
Tandem Guest Opposing Orientation Sofa	27
<b>Zoetry® Lounge Seating</b>	
Technical Specifications - Lounge Seating	33
Lounge Chair	36
Lounge Chair with Removable Swivel Tablet	37
Lounge Chair with Non-Removable Swivel Tablet	39
Lounge Loveseat	41
Tandem Lounge Loveseat	43
Lounge Sofa	45
Tandem Lounge Sofa	47
Tandem Lounge Sofa with Table	48
Tandem Lounge Opposing Orientation Sofa	56
<b>Zoetry® Privacy Lounge Seating</b>	
Technical Specifications - Privacy Lounge Seating	62
Lounge Chair with Privacy Screen	64
Bariatric Lounge Chair with Privacy Screen	65
Lounge Chair with Privacy Screen with Removable Swivel Tablet	39
Lounge Chair with Privacy Screen with Non-Removable Swivel Tablet	68
Lounge Loveseat with Privacy Screen	70
Bariatric Lounge Loveseat with Privacy Screen	71
Lounge Sofa with Privacy Screen	72
Tandem Lounge Sofa with Table, with Privacy Screen	74
Tandem Lounge with Table, with Privacy Screen	76
Tandem Lounge Opposing Orientation Sofa with Privacy Screen	77
<b>Zoetry® Benches</b>	
Technical Specifications - Benches	81
Bench with Arm	83
Bench, No Arm	84
Bench with Arm with Removable Swivel Tablet	85
Bench with Arm with Non-Removable Swivel Tablet	88
<b>Zoetry® Accessories</b>	
Accessories	91
<b>Zoetry® Freestanding Occasional Tables</b>	
Technical Specifications - Freestanding Occasional Tables	92
End Table	93
Cocktail Table	94



Yardage	Grade	List Price Per Yard
1	C	\$ 49
1	D	\$ 64
1	E	\$ 78
1	F	\$ 100
1	G	\$ 122
1	H	\$ 144
1	I	\$ 178
1	J	\$ 222
1	K	\$ 289
1	L	\$ 333
1	M	\$ 422



## Customer's Own Material ■

### Specifications Form

#### January 2023

#### How to Specify

As a standard procedure, KI applies seating upholstery as swatched by the textile distributor. Reference distributor's website. Upholstery that is required to be applied differently than is swatched, will need a Product Modification Request written specifying the direction the upholstery is to be applied.

Seating upholstery requiring specific positioning of intricate patterns or patterns repeats on seats and backrests, will need a Product Modification Request written including a sketch noting the specific requirements, as in Diagram A.

C.O.M. must be supplied in continuous yardage.

Yardage requirements listed in price list are based on plain goods 54" wide. Fabrics less than 54" wide, or those requiring matching (stripes, plaids, prints, large patterns) will require additional yardage based on the fabric used and the item ordered. Consult matrix below for additional yardage needed.

**C.O.M. INCREASE MATRIX** (yardage matrix is also applicable to any reservations of KI Ingrade, Pallas, or K.O.M. upholsteries).

This table is a general guide.

FABRIC WIDTH	PLAIN FABRIC	UNDER 7"	8"-13"	14"-21"	22"-27"	28"-33"	34"-40"	41"-48"
	FABRIC	REPEAT	REPEAT	REPEAT	REPEAT	REPEAT	REPEAT	REPEAT
54"	0	20%	25%	30%	45%	55%	70%	80%
51"-53"	15%	25%	30%	35%	50%	60%	80%	90%
48"-50"	20%	30%	35%	40%	55%	65%	85%	95%
45"-47"	30%	45%	50%	55%	60%	80%	90%	100%
36"-44"	50%	65%	70%	75%	80%	100%	110%	120%

Fabric with double repeat: If using a fabric with a double repeat, please follow this formula: take the total amount of the larger and half of the smaller repeat; add together to find the correct overall repeat. Example: 10" vertical with 14" horizontal would be  $14 + \frac{10}{2} = 19$ .

If fabric comes in on multiple rolls, one additional yard per roll needs to be added to the yardage requirement.

Leather hides must be a minimum of 50 square feet of usable material. The outer edges cannot be calculated as square feet or yardage. To determine square footage, multiply unit yardage by 18 square feet to obtain the total square footage required per unit.

For exact production yardage requirements, call 1-800-424-2432, ext. 2707.

#### Production

Customer's upholstery must be approved prior to acceptance for production.

After approval, a memo swatch of the C.O.M. from the textile distributor must accompany the order. KI assumes no responsibility for wear, defects, or performance of C.O.M. or K.O.M. upholstery.

C.O.M. not received into the appropriate facility 3 weeks prior to acknowledged delivery date may go on hold. See KI C.O.M. Shipping Location listing for the correct facility address by product.

All C.O.M. must be labeled as follows:

1. Name and address
2. Your purchase order number
3. Our style number to which fabric is to be applied
4. Supplier name and fabric name, number, and color

ALL C.O.M. Shipments must be prepaid. Collect shipments will be refused.

#### Testing

When KI requires testing, actual yardage to upholster one chair may be required. The C.O.M. Specialist will confirm model and fabric testing requirements when applicable.

ALL C.O.M. Shipments must be prepaid. Collect shipments will be refused.

#### Treated Materials

If C.O.M. requires processing such as a stain resistance treatment or acrylic backing, it may shrink. To prevent delays in delivery or back ordering due to shrinkage, please have your processor verify measurement after processing and assure adequate yardage shipped.

#### Split Orders

If a portion of the shipment which does not require C.O.M. application is to be processed and shipped early, KI will enter the order immediately at your request. These split shipments are subject to minimum order changes.

#### Excess Upholstery Material

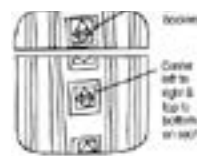
KI will dispose of excess upholstery material at the time of shipment unless expressly requested to return it with the product shipment.

#### Cancelled or Changed Orders

KI assumes no responsibility for extra C.O.M. due to a change of upholstery or cancellation of an order. If it the customer's responsibility to arrange for return of the material.

Contact the C.O.M. Specialist at 1-800-424-2432, ext. 2707, with questions or to request a split order

Diagram A





## C.O.M. SHIPPING LOCATION



<b>Architectural Walls</b>	<b>Panel Systems</b>	Impress Ultra ..... OM
Evoke..... MN	All Terrain..... KP	Intellect Wave ..... GB
Genius..... MN	Balance ..... MN	Jessa ..... HN
	Universal ..... MN	Jubilee ..... VQ
<b>Casegoods</b>	Wireworks ..... MN	Katera..... GB
Aristotle..... MN	Unite..... MN	Kurv Benches..... HN
Likha..... MN		Learn2..... GB
<b>Classroom Furniture</b>	<b>Residence Hall Furniture</b>	LimeLite..... GB
Cogni ..... GB	RoomScape ..... MN	Lyra ..... HN
Intellect Wave ..... GB		Medical & Laboratory Stools..... OM
Learn2..... GB	<b>Screens</b>	MyPlace ..... HN
Ruckus..... GB	All Terrain..... KP	MyWay ..... HN
	Connection Zone..... BW	Oath ..... GB
<b>Desking</b>	Tributaire..... BW	Opt4..... GB
700 Series ..... KP	True/Volition ..... KP	Pilot ..... OM
Balance ..... MN	Genesis..... KP	Promenade ..... BW
Genesis ..... MN	Tattoo..... MN	Ruckus..... GB
True ..... KP	Universal..... BW	Sela ..... HN
Universal ..... MN		Sift ..... GB
WorkZone ..... MN	<b>Seating</b>	Signia..... OM
	600 Series..... BW	Soltice Metal ..... HN
<b>Files &amp; Storage</b>	Affina ..... HN	Soltice..... HN
700 Series..... GB	Altus ..... GB	Sonrisa ..... HN
Connection..... BW	Apply ..... GB	Strive..... GB
U-Series ..... GB	Calida ..... HN	Sway ..... BW
Tattoo..... BW	Cascha ..... VT	Tattoo..... HN
	Civara ..... VT	Torsion-on-the-Go! ..... GB
<b>Fixed Seating</b>	Clamber ..... HN	Torsion Air ..... GB
Concerto..... BW	Cogni ..... GB	Zeker ..... HN
Single Pedestal ..... GB	Diem ..... OM	Zentori ..... VT
Jury Base ..... GB	Doni ..... GB	Zoetry ..... HN
Lancaster ..... BW	Gladly ..... VQ	
Sequence ..... GB	Grazie ..... GB	
University ..... GB	Hub ..... HN	
	Impress ..... OM	

## KI C.O.M. Manufacturing Site Addresses:

<b>BW</b> KI Bonduel Attn: COM Storage 204 West South St. Bonduel, WI 54107	<b>HN</b> KI High Point Attn: COM Storage 217 Feld Avenue High Point, NC 27263	<b>MN</b> KI Manitowoc Attn: COM Storage 1400 S. 41st St. Manitowoc, WI 54220	<b>VQ</b> KI Attn: COM Fabrics 6892 Marlin Circle La Palma, CA 90623
<b>GB</b> KI Green Bay Attn: COM Storage 1687 Westminster Drive - Gate 3 Green Bay, WI 54302	<b>KP</b> KI Pembroke Attn: COM Storage 1000 Olympic Dr. Pembroke, Ontario K8A6X7	<b>OM</b> KI Attn: COM Storage 1110 S. Mildred Ave. Ontario, CA 91761	<b>VT</b> KI Attn: COM Storage 2803 South Taylor Drive Sheboygan, WI 53081

## General

The below specifications cover Zoetry guest seating, lounge seating, guest and lounge in-line tables, freestanding occasional tables, privacy screens and electrical components.

## Base Frame with Legs

All seating and freestanding occasional table base frames are constructed of 1/8" thick extruded aluminum rails with die cast aluminum legs. The rails and legs are fastened together using concealed 1/4-20 steel screws. Frame finish options are powder-coat paint over all components with colors per the KI color addendum, or high gloss hand polished legs coupled with bright anodize dipped (polished look) aluminum rails (aluminum finish only).

## Adjustable Glides

Adjustable glides are available in non-marring natural color nylon or grey felt. Glides are 1" diameter and provide 7/8" height adjustability with a 5/16-18 steel threaded stem. The four glide assemblies are replaceable with no tools required.

## Armcaps

Models can be configured with optional armcaps in stained and finished Beech hardwood, molded polyurethane, or upholstered arm only. Polyurethane armcaps are molded (in black only) with a light surface texture and are reinforced internally with a 10-gauge (.135" thick) steel bar, fastened to the arms with 7/16" diameter spring steel compression dowels.

Wood armcaps are 3/4" Beech hardwood, kiln dried to a moisture content of six percent, sanded and finished in stain (color per KI color addendum) and fastened to the arms with 7/16" diameter spring steel compression dowels.

The wood armcap's finish include over-coating with a spray stain, then baking in a burn-off oven for one hour. The wood is then sealed to prevent moisture imbalance, and surfaces are lightly sanded using 400 grit paper. The final application of an oven-baked conversion polyacrylic topcoat seals and finishes all surfaces. Both the seal and finish coats contain an anti-microbial protectant. Armcaps are field replaceable.

## Swivel Tablet Arms

Tablet writing surface is round, 14" in diameter, has a knife edge (KN) with overall thickness of 1 1/8" and has a 360-degree swivel mechanism secured with screws to the underside of the writing surface. Swivel tablet is mounted 3" off-center from the pivot of the mechanism and can be ordered as right- or left-facing as well as removable or non-removable. Swivel tablet has a .030" laminate top surface and plain backer undersurface. Top surface is available in all standard KI laminate finishes. Benches can receive swivel tablets on both arms.

## Structural Internal Frames (arm, seat, backrest)

Arm, seat and backrest frames can be a unique combination of materials and processes. Some frame components are made of a 100% recycled post-consumer polymeric blend molded with structural design elements that give strength and durability. Steel structural supports and fasteners are added to attach these elements to the base and to each other.

## Structural Internal Frames (arm, seat, backrest) (cont.)

Other noted frame materials are 3/4" and 1/2" hardwood plywood, CNC cut with all joints nailed and glued, using additional interlocking features across all stress points. The following sections below list where these structural materials are applied;

### 3/4" and 1/2" Hardwood Plywood

- All lounge, bench and guest seat frames - standard and heavy occupant widths
- All lounge and bench arms
- Lounge backrests - heavy occupant width
- Guest multi-seat "shared" middle arms

### Molded Recycled Material

- Lounge and guest backrests - standard width
- Guest backrests - heavy occupant width
- Guest "outer" arms and models with in-line tables

## Upholstery Foam & Suspension

Zoetry guest and guest bariatric seats are constructed of 3.5" thick molded polyurethane foam, 3.5 density, 35 lb compression with stretch webbing suspension underneath, stapled to the frame.

Zoetry guest and guest bariatric backrests are contoured and constructed with a maximum of 2" thick molded polyurethane foam, 3.5 density, 45 lb compression.

Zoetry lounge seats are constructed of 6" thick slab polyurethane foam, 3.5 density, 35 lb compression with stretch webbing suspension underneath, stapled to the frame.

Zoetry lounge and lounge bariatric backrests are constructed of 3" thick molded polyurethane foam, 3.5 density, 35 lb compression with stretch webbing suspension underneath, stapled to the frame.

Lounge bariatric and bench seats use slab polyurethane foam in the same density and compression values as the molded foam components in the seat. Stretch webbing suspension is used underneath.

All models – arms are covered in foam 3/4" thick 2.6 density, 80 R compression on the seating sides of the arms. Remaining outer arm surfaces are 1/4" soft feel 2.5 density, 45 lb compression.

## Upholstery & Sewing

Upholstery features on all models include top stitching at all primary seams for lasting durability. Stitching is available in contrasting color choices per the KI thread finish card.

## Tables (in-line and freestanding occasional)



### Tables (in-line and freestanding occasional)

Tables and tops with laminate are constructed using 45 lb density particleboard with .030" thick high-pressure laminate, .030" high-pressure backer and 2 mm pvc edge banding (KI "73P" edge banding in limited complimentary colors). The overall top thickness is  $\frac{3}{4}$ ", available in colors per the KI color addendum. In-line "working-height table" and "raised table" have all exposed surfaces laminated and edge banded.

Flat tabletops specified with "solid surface" are constructed of  $\frac{1}{2}$ " thick Corian® material with  $\frac{1}{4}$ " plywood backer. The edge is a glued and polished Corian® band, 1" wide all around, creating a seamless continuous surface. The solid surface tops are colored "Glacier White" only.

All tables are configurable with optional power modules. See "Electrical System Options" specifications for additional information. Solid surface tabletops are fastened to frames using concealed  $\frac{1}{4}$ -20 steel screws into steel T-nuts in the table backer. Laminate tops are fastened to frames using #14 x  $\frac{1}{2}$ " wood screws.

### Lounge Privacy Screens

Lounge privacy screen corners are pressure-formed, laminated #3 grade Gum veneer plywood, 10 mm nominal thickness. Lounge center extensions (loveseat and larger) are  $\frac{1}{2}$ " nominal thick Birch plywood. Both are covered in  $\frac{1}{4}$ " thick Volara® high-density foam on all surfaces and edges. Fabric is applied over the plywood and foam and sewn with seams along the outside edges. Overall finished thickness is  $\frac{3}{4}$ ". Privacy screens are mounted to the lounge using hidden or minimally visible die-cast aluminum hooks and receivers, painted black. The screen hooks are aligned to the lounge receivers and fixed in place using #8 steel screws.

Note: The privacy screen mounting components are permanently attached to the lounge and screen and cannot be repositioned for other uses.

The top screen alignment medallions are machined solid aluminum, and optionally polished to a mirror finish or powder-coated in KI colors. The two halves are fastened using a #8 steel screw. Hidden steel toothed "gripper" features strengthen the medallion retention when fully assembled between screen segments.

### Electrical System Options

#### Byrne Mini-Tap® Power Module with 3-Prong Plug

Zoetry seating can be configured with optional Bryne Mini-Tap power modules (a self-contained, UL listed single relocatable power tap). One 15-amp, 125 volt AC simplex receptacle with one 2.1-amp, 5 volt DC USB Type A and one Type C outlet port (2.0 and 3.0 compatible, no data), provide device charging or direct AC power. The module is standard with a 72" long, 14 AWG, 15-amp NEMA rated 3-conductor black SJT cord with 3-prong grounded plug. Modules are optionally colored black with black outlet ports, or white with white outlet ports. Single modules can be configured to the right side or left side of the model frame. Outlets face the front of the single seat lounge or chair.

#### Byrne Mini-Tap Power Module for Sequence®

Seating can also be configured with optional 12 amp system rated Bryne Mini-Tap power modules for Sequence, to accommodate two modules per unit (loveseat or larger) with a single corded AC power in-feed. The NEMA rated 3-conductor black SJT infeed cord with 3-prong plug is rated for 15 amps with over-current protection. The Sequence system is ETL Listed. Dual modules are mounted right and left sides of the frame, facing the front of the seating. Single modules can be configured to the right side or left side of the model frame. The module-to-module cord connections are accomplished by a keyed Sequence power jumper, with light indication for proper connection. All modules and cabling are factory installed with cords, discretely dressed and hidden at the underside of the lounge, with the infeed ready to plug into the user location outlets.

#### Byrne Node® Power Module with 3-Prong Plug

In-line tables can be optionally configured with a Bryne Node power module with 3-prong plug (a self-contained, UL listed single relocatable power tap). One 15-amp, 125 volt AC simplex receptacle with one 2.1-amp, 5 volt DC USB Type A and one Type C connectors (2.0 and 3.0 compatible, no data), provide device charging or direct AC power. The module is standard with a 72" long, 14 AWG, 15-amp NEMA rated 3-conductor black SJT cord with 3-prong grounded plug. Node modules are optionally colored black with black outlet ports, white with white outlet ports or silver with black outlet ports. Node modules are top surface mounted in the tabletop. UL "spill proof" receptacles are standard.

### General Construction

A sweep through clean out between the backrest and seat allows debris to be pushed through and to drop to the floor beneath all models.

Arms, armcaps, glides, privacy screens, seats and backrests are field replaceable.

### General Upholstery

Contrasting fabric specification is not available.

Available fabrics only in approved Pallas/Ingrades or COM/KOM options.

Contrasting color stitching per KI thread color finish card.


**Base/leg or medallion finish**

Black
Blue Grey
Bronze Metallic
Cayenne
Champagne Metallic
Cool Grey
Cottonwood
Earthen Clay
Espresso Metallic
Everglade Shade
Flannel
Glitz Metallic
Hazy Jade
Honey Bee
Light Tone
Mardi Gras
Misty Brown
Nemo
Nordic
Polished Aluminum
Poppy Red
Purple Haze
Rainforest
Raw Jasper
Rubber Ducky
Sand
Sky Blue
Starlight Silver Metallic
Surf's Up
Tarragon
Twilight Shadow
Ultra Blue
Warm Grey
Zesty Lime

Polished Aluminum requires an upcharge when used on base/leg.

**Wood armcap finish**

Cocoa on Beech
Cinnamon on Beech
Cherry Storm on Beech
Eclipse Black on Beech
Florence Walnut on Beech
Monticello Maple on Beech
Natural on Beech
River Cherry on Beech

**Worksurface/Table Top Finish - Solid Surface\***

Corian® Glacier White
-----------------------

\*NOTE: Solid Surface color is always Corian® Glacier White

**Edge Color - 73P and KN**

BL Akira
GR Beigewood
ZM Belair
CY Biltmore Cherry
CM Black
CG Black Hills Oak
CO Blue Grey
EY Brighton Walnut
EX Castle Oak
EV Cayenne
FN Cherry Storm
GZ Cocobala
HJ Cool Grey
HY Cumberland Walnut
LG Dering Forest
MG Designer White
MY Everglade Shade
NE Fawn Cypress
ND Flannel
PA Florence Walnut
PR Friston Ash
PH Frosty White
RQ Hartley Walnut
RJ Hazy Jade
RK Italian Silver Ash
SA Kensington Maple
SK Light Tone
SX Mardi Gras
SP Misty Brown
TQ Monticello Maple
TI Multiplex
UB Nemo
WG Nordic
ZL Pinnacle Walnut
Poppy Red
Rainforest
Raleigh Walnut
BCA River Cherry
BCN Rubber Ducky
BCX Sand
BEB Sky Blue
BFC Solano Walnut
BMT Sterling Ash
BNA Surf's Up
BRY Tarragon
Twilight Shadow
Ultra Blue
Valley Forge Elm
Warm Grey
White River Forest
Windsor Mahogany
Zesty Lime

**Worksurface/Table Top/Tablet Finish - Grade 1 Standard**

EAK Laminate
EBZ Beigewood
EBQ Belair
EBT Biltmore Cherry
EBL Black
EBH Brighton Walnut
EGR Castle Oak
EBW Cherry Storm
ECO Classic Linen
ECY Cocobala
ECX Crisp Linen
ECC Designer White
ECG Dove Grey
ECJ Florence Walnut
EDF Friston Ash
EDR Frosty White
EEV Graphite Nebula
EFQ Grey
EFN High Rise
EFC Hollyberry
EFH Island
EFW Italian Silver Ash
EHW Kensington Maple
EHJ Lapis Blue
EIT Monticello Maple
EKM North Sea
ELG Ocean
EMG Pinnacle Walnut
EMY River Cherry
EMT Shadow Zephyr
EMB Sterling Ash
ENE Titanium Evolv
END White Nebula
EPW White Sand
EPR Windsor Mahogany

**Worksurface/Table Top/Tablet Finish - Grade 2 Standard**

ERW Laminate
ERY Akira
ERK Black Alicante
ESA Black Hills Oak
ESK Calcutta Marble
ESG Dering Forest
EAZ Fawn Cypress
ESP Ice Mist
ETQ Markerboard White
ETI Valley Forge Elm
EUB White River Forest
EVF
EWG
EWR
EWY
EZL

**Worksurface/Table Top/Tablet Finish - Grade 3 Standard**

Laminates
LBZ Black Velvet
LBQ Cumberland Walnut
LBT Designer White Velvet
LBK Hartley Walnut
LBW Nile Velvet
LCO Raleigh Walnut
LCX Solano Walnut
LCI Spruce Velvet
LCC

**Thread color**

LRI Coordinating Color (closest matching thread color will be selected by the factory-reference the sample thread color card)
LDR
LDG Ashes
LFC Black
LFH Brown
LFW Burgundy
LGN Evergreen
LGE Grey
LHE Lacquer Red
LHY Maron Glace
LID Midnight Blue
LIT Orange
LKM Sand
LLB Smoke
LMT Steel
LNA Tonka Toast
LON White
LPW Willow Green
LYR
LSR
LAZ
LTV
LWL
LWN
LWY

**Finish Cards**

View color swatches for items listed within this document.

Paints
Plastics/Poly
Wood/Veneer
Laminates
Molded Edges
Edge Styles
Hard Plastics
Glass

Certain options referenced may not be available on GSA Schedule.

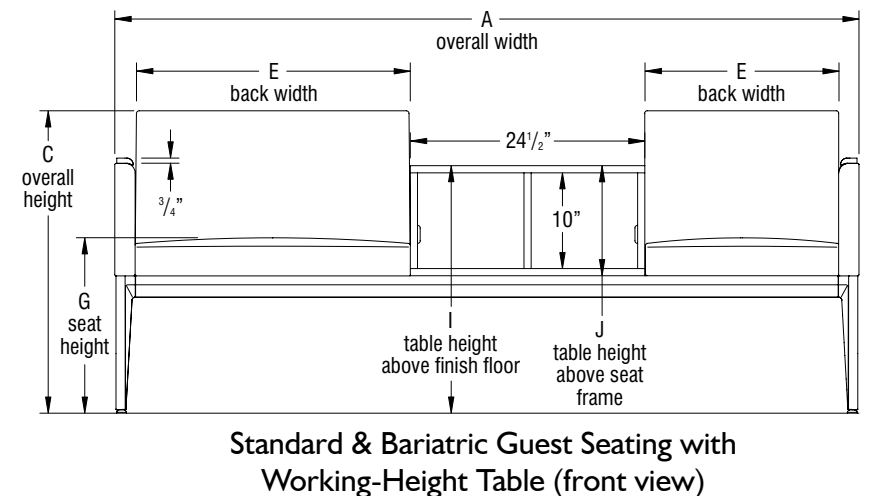
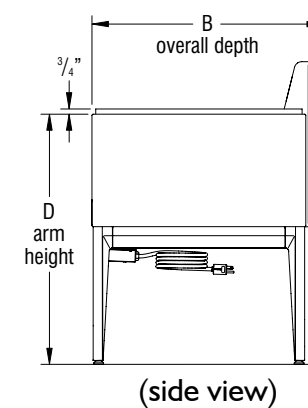
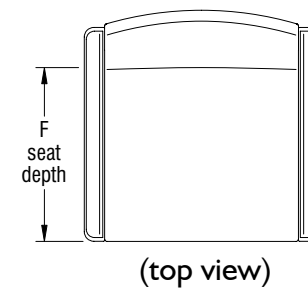
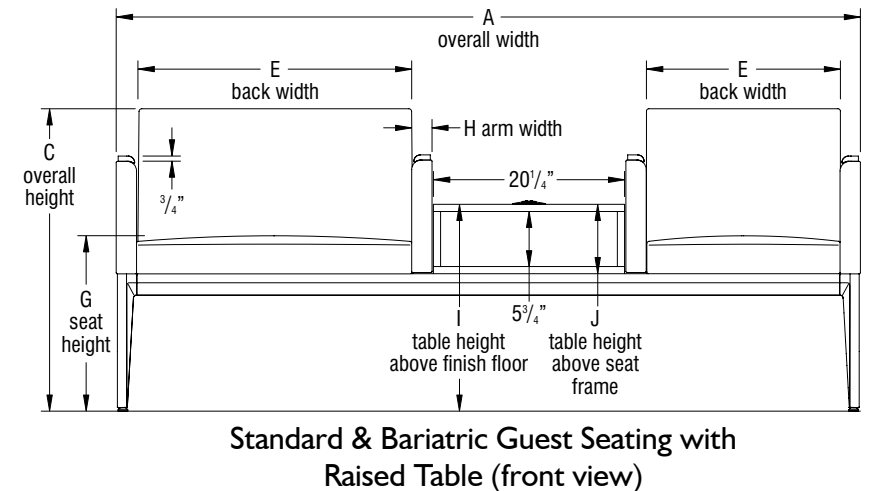
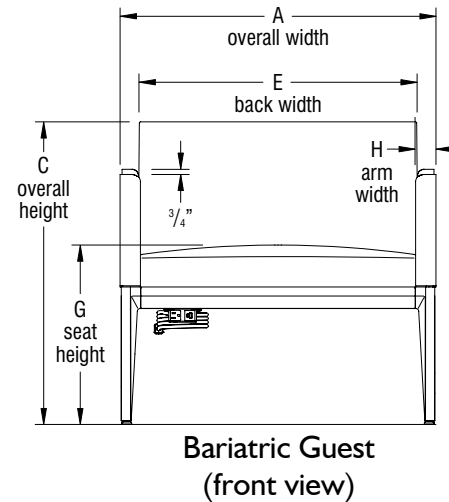
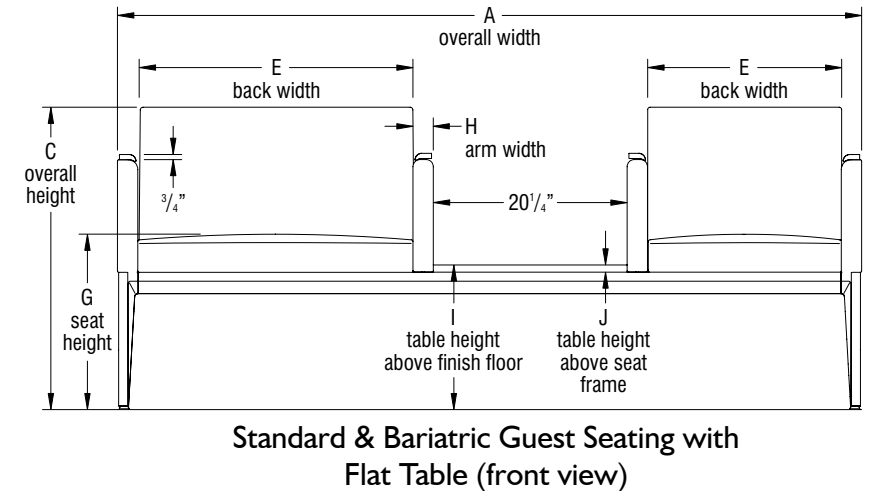
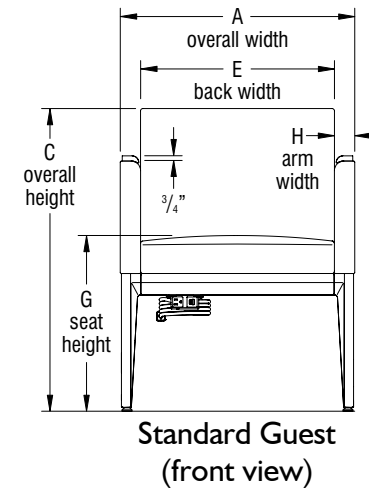


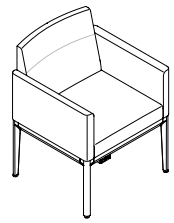
Zoetry Guest Seating Overall Dimensions										
Model/Feature	A Overall Width	B Overall Depth	C Overall Height	D Arm Height	E Back Width	F Seat Depth	G Seat Height	H Arm Width	I Table Height Above Finish Floor	J Table Height Above Seat Frame
Standard Guest	Reference Appropriate Chart Below	23 1/2"	31 1/2"	26"	20 1/4"	18 1/4"	18 1/2"	2 1/8"	N/A	N/A
Bariatric Guest	Reference Appropriate Chart Below	23 1/2"	31 1/2"	26"	28 1/2"	18 1/4"	18 1/2"	2 1/8"	N/A	N/A
Guest In-Line Flat Tables	20 1/4"	22 3/8"	15 1/4"	N/A	N/A	N/A	N/A	N/A	18 1/2"	3/4"
Guest In-Line Raised Tables	20 1/4"	22 3/8"	21 5/8"	N/A	N/A	N/A	N/A	N/A	21 5/8"	7/4"
Guest In-Line Working-Height Tables	24 1/2"	22 3/8"	26"	N/A	N/A	N/A	N/A	N/A	25 7/8"	11 1/2"

Zoetry Standard Guest Seating Overall Width	
Model	A Overall Width
ZYGNC	24 1/2"
ZYGNCC	44 3/4"
ZYGACC	46 3/4"
ZYGNCCC	64 7/8"
ZYGACCC	69 1/4"
ZYGACRC	69 1/4"
ZYGACTC	69 1/4"
ZYGACSC	69 1/4"
ZYGNCWC	69 1/4"
ZYGACTCL	69 1/4"
ZYGACSCL	69 1/4"
ZYGACTCR	69 1/4"
ZYGACSCR	69 1/4"

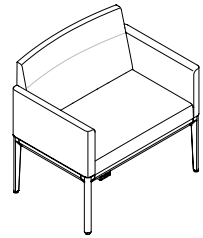
Zoetry Bariatric Guest Seating Overall Width	
Model	A Overall Width
ZYGNB	33"
ZYGNBB	61 3/4"
ZYGABB	63 7/8"
ZYGABTB	86 1/4"
ZYGABSB	86 1/4"
ZYGABRB	86 1/4"
ZYGNBWB	86 1/4"
ZYGABTBL	86 1/4"
ZYGABSBL	86 1/4"
ZYGABTBR	86 1/4"
ZYGABSBR	86 1/4"

Zoetry Standard/Bariatric Guest Seating Overall Width	
Model	A Overall Width
ZYGNBC	53 3/4"
ZYGNCB	53 3/4"
ZYGABC	55 3/8"
ZYGACB	55 3/8"
ZYGACBC	77 3/4"
ZYGACB	86 1/4"
ZYGABTC	77 3/4"
ZYGABSC	77 3/4"
ZYGABRC	78"
ZYGNBWC	77 3/4"
ZYGACTB	77 3/4"
ZYGACSB	77 3/4"
ZYGACRB	77 3/4"
ZYGNCWB	77 3/4"
ZYGABTCL	77 3/4"
ZYGABSCL	77 3/4"
ZYGABTCR	77 3/4"
ZYGABSCR	77 3/4"

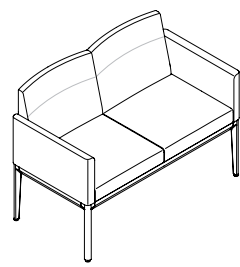




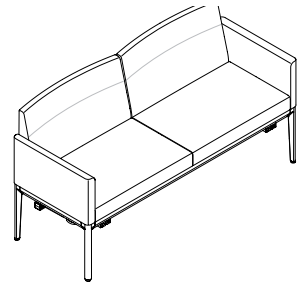
Guest Chair  
ZYGNC



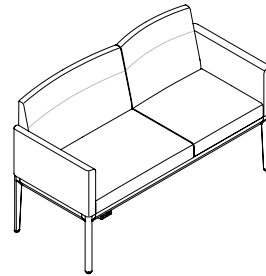
Bariatric Guest Chair  
ZYGNB



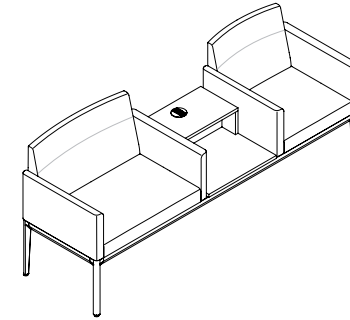
Guest Loveseat  
ZYGNC



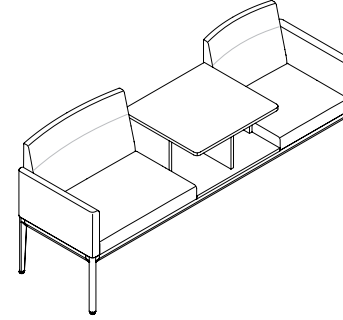
Bariatric Guest Loveseat  
ZYGNCB



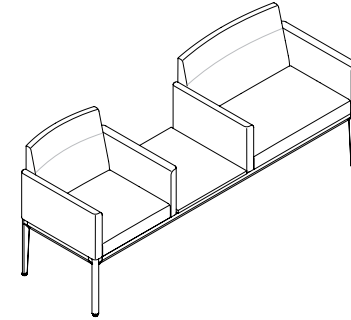
Guest Loveseat  
Bariatric Left/Standard Right  
ZYGNCB



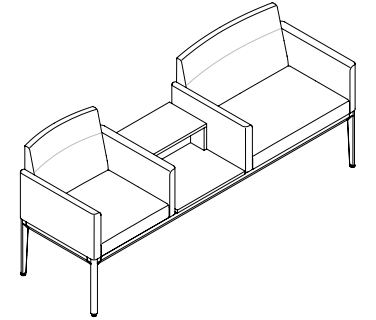
Tandem Guest Sofa  
Bariatric/Raised Table/Standard  
ZYGABRC



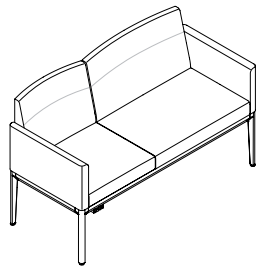
Guest Sofa  
Bariatric/Working-Height Table/Standard  
ZYGNCWC



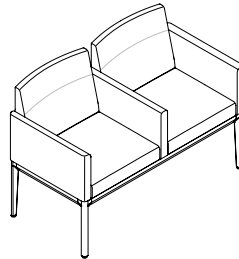
Tandem Guest Sofa  
Standard/Table/Bariatric  
ZYGACTB  
ZYGACSB



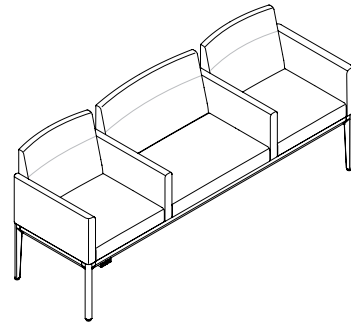
Tandem Guest Sofa  
Standard/Raised Table/Bariatric  
ZYGACRB



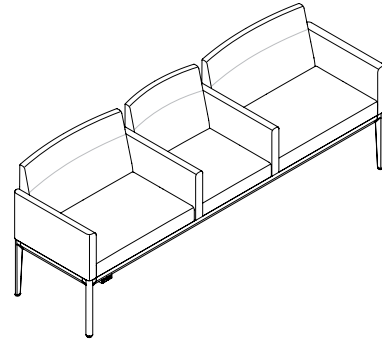
Guest Loveseat  
Standard Left/Bariatric Right  
ZYGNCB



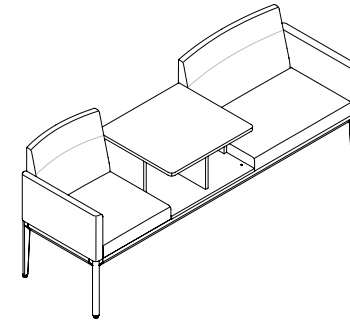
Tandem Guest Loveseat  
ZYGACC



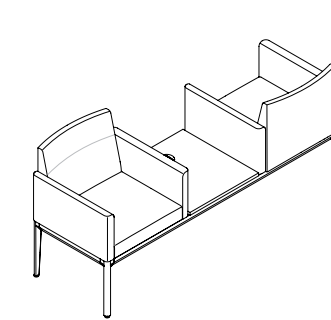
Tandem Guest Sofa  
Standard/Bariatric/Standard  
ZYGACBC



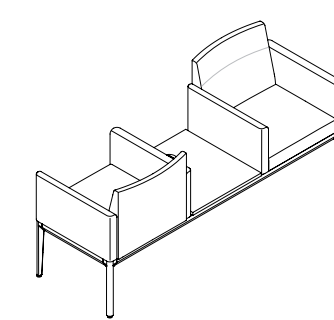
Tandem Guest Sofa  
Bariatric/Standard/Bariatric  
ZYGACBC



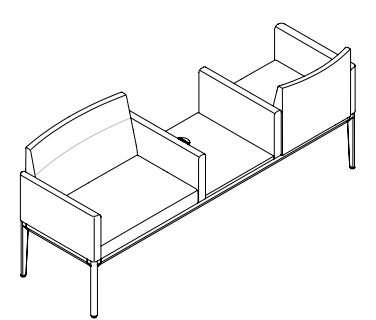
Guest Sofa  
Standard/Working-Height Table/Bariatric  
ZYGNCWB



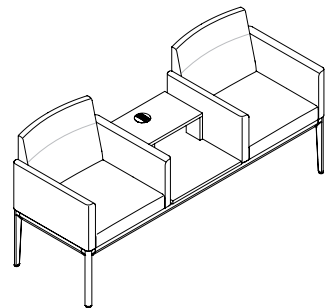
Guest Opposing Orientation  
Standard/Table/Standard  
ZYGACTCL  
ZYGACSC



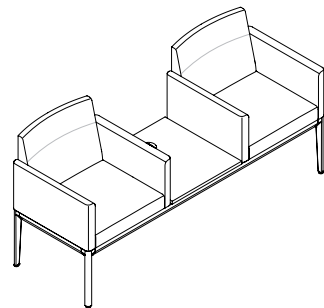
Guest Opposing Orientation  
Standard/Table/Standard  
ZYGACTCR  
ZYGACSCR



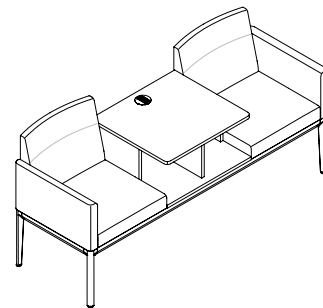
Guest Opposing Orientation  
Bariatric/Table/Standard  
ZYGABTCL  
ZYGABSCL



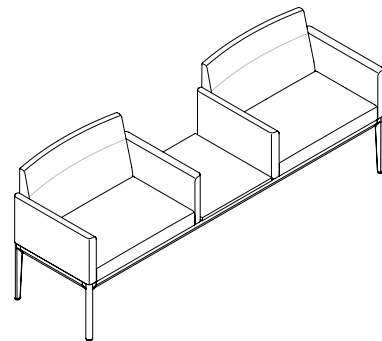
Tandem Guest  
Standard/Raised Table/Standard  
ZYGACRC



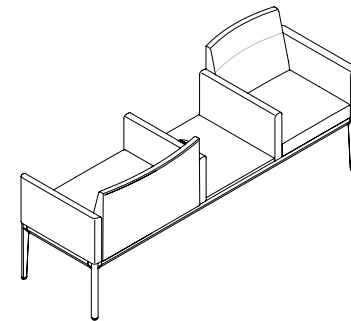
Tandem Guest  
Standard/Flat Table/Standard  
ZYGACTC  
ZYGACSC



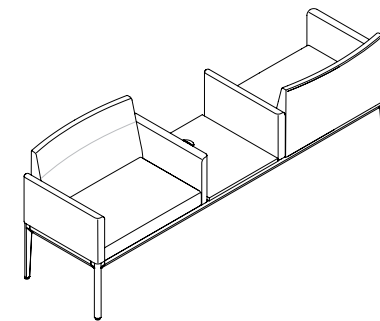
Guest Sofa  
Standard/Working-Height Table/Standard  
ZYGNCWC



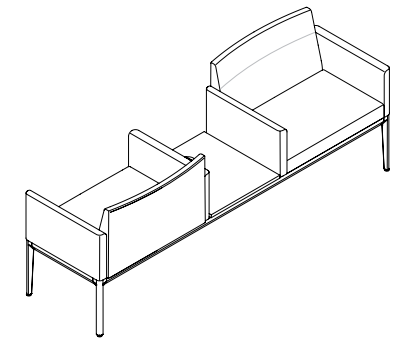
Tandem Guest Sofa Bariatric/Table/Bariatric  
ZYGABTB  
ZYGABSB



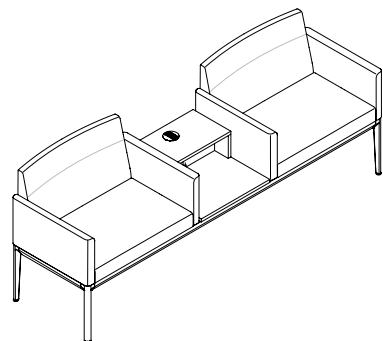
Guest Opposing Orientation  
Bariatric/Table/Standard  
ZYGABTCL  
ZYGABSCL



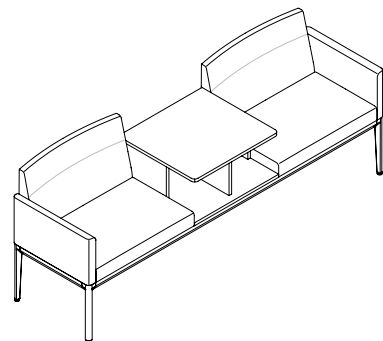
Guest Opposing Orientation  
Bariatric/Table/Bariatric  
ZYGABTBL  
ZYGABSBL



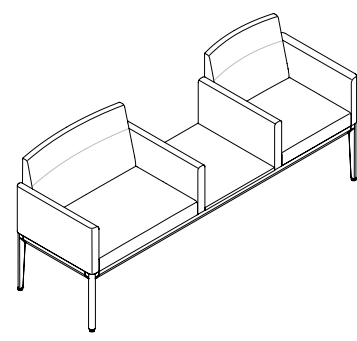
Guest Opposing Orientation  
Bariatric/Table/Bariatric  
ZYGABTBR  
ZYGABSBR



Tandem Guest Sofa  
Bariatric/Raised Table/Bariatric  
ZYGABRB

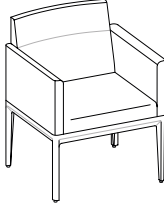
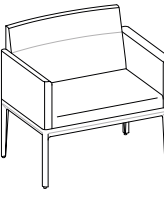


Guest Sofa  
Bariatric/Working-Height Table/Bariatric  
ZYGNCWB



Tandem Guest Sofa  
Bariatric/Table/Standard  
ZYGABTB  
ZYGABSB



MODEL	MODEL NUMBER									Approx. Packaged Weight	Delivered Pricing
	Basic Model	Armcap Type	Power & Location	Glide Option	Base Finish	Armcap Finish	Power Color	Upholstery Color	Thread Color		
 <p><b>Guest Chair</b></p> <ul style="list-style-type: none"> <li>Fully upholstered, featuring 3.5" molded foam seat cushions</li> <li>14" die-cast aluminum leg</li> <li>Extruded aluminum base</li> <li>Stitching detail on back rest</li> <li>Debris clean-out spaces</li> <li>Field replaceable components</li> <li>Non-contrast COM = 2.25 yds</li> </ul> <p>Overall Dimensions: • W=24.5" D=23.5" H=31.5"</p>	ZYGNC	<input type="checkbox"/>	<input type="checkbox"/>	<input type="checkbox"/>	<input type="checkbox"/>	<input type="checkbox"/>	<input type="checkbox"/>	<input type="checkbox"/>	<input type="checkbox"/>	64.00#	\$ 1911
ZYGN											
 <p><b>Guest Chair, Bariatric</b></p> <ul style="list-style-type: none"> <li>Fully upholstered, featuring 3.5" molded foam seat cushions</li> <li>14" die-cast aluminum leg</li> <li>Extruded aluminum base</li> <li>Stitching detail on back rest</li> <li>Debris clean-out spaces</li> <li>Field replaceable components</li> <li>Non-contrast COM = 3 yds</li> </ul> <p>Overall Dimensions: • W=33" D=23.5" H=31.5"</p>	ZYGNB	<input type="checkbox"/>	<input type="checkbox"/>	<input type="checkbox"/>	<input type="checkbox"/>	<input type="checkbox"/>	<input type="checkbox"/>	<input type="checkbox"/>	<input type="checkbox"/>	75.00#	\$ 2409
ZYGN											

**A B C D E F G H I**

**HOW TO ORDER**

- Indicate the following information on order form:
- Quantity of each item.
  - Model number, including options. See "How To Build a Model Number".
  - Any special service required.

Note: • The  indicates that a choice is required.  
• The absence of the  indicates that no choice is required.  
• Alpha-numeric characters in place of  indicate that no other alternatives are available.

**HOW TO BUILD A MODEL NUMBER**

- A** Select basic model.
- B** Select armcap type.
  - PACBL** - Black poly armcap; add \$207
  - NAC** - No armcap
  - WAC** - Wood armcaps; add \$291
- C** Select power & location.
  - M1L** - One power module, left-facing; add \$267
  - M1R** - One power module, right-facing; add \$267
  - NP** - No power
- D** Select glide.
  - GFT** - Felt glides
  - GPL** - Plastic glides

Glides adjust 7/8"
- E** Select base/leg finish. Refer to the **Product Color Options** page in this price list. Polished aluminum base/leg requires an

- upcharge. See FINISH INFORMATION.
- F** Select armcap finish. Refer to the **Product Color Options** page in this price list.
- G** Select power module color.
  - WPBL** - Black/Black power module
  - WPWH** - White/white power module
- H** Select upholstery grade/color. Refer to [ki.com/fabrics](http://ki.com/fabrics).
  - For yardage pricing, see Fabric Yardage Pricing page
- I** Select thread color. Refer to the **Product Color Options** page in this price list.

**NOTE**  
Ganging is not available on Zoetry product.  
  
Zoetry is offered in non-contrasting upholstery only, as standard.

**FINISH INFORMATION**

Polished Aluminum Upcharge:

Guest Chair	
ZYGNC	\$116
ZYGNB	\$116

Guest Loveseat	
ZYGNC	\$116
ZYGNBB	\$116
ZYGNBC	\$116
ZYGNCB	\$116

Tandem Guest Loveseat	
ZYGACC	\$116
ZYGABB	\$116
ZYGABC	\$116
ZYGACB	\$116

Guest Sofa	
ZYGNC	\$177
ZYGNCC	\$177
ZYGNBWC	\$177
ZYGNBWC	\$177
ZYGNBWC	\$177

Tandem Guest Sofa	
ZYGACCC	\$177
ZYGACBC	\$177
ZYGACCB	\$177

Tandem Guest Sofa with Table	
ZYGACRC	\$177
ZYGACTC	\$177
ZYGACSC	\$177
ZYGABRB	\$177
ZYGABTB	\$177
ZYGABSB	\$177
ZYGABRC	\$177
ZYGABTC	\$177
ZYGABSC	\$177
ZYGACRB	\$177
ZYGACTB	\$177
ZYGACSB	\$177

Tandem Guest Opposing Orientation Sofa	
ZYGACTCL	\$177
ZYGACTCR	\$177
ZYGACSCCL	\$177
ZYGACSCR	\$177
ZYGABTBL	\$177
ZYGABTBR	\$177
ZYGABSBL	\$177
ZYGABSBR	\$177
ZYGABTCL	\$177
ZYGABTCR	\$177
ZYGABSCL	\$177
ZYGABSCR	\$177

**SPECIAL SERVICES**

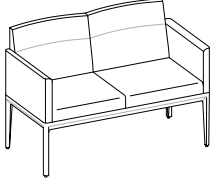
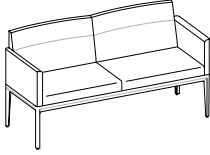
**Special Carton Marking**

With specially marked information N/C

**Shipping**  
Ships assembled, FOB High Point, NC 27263, freight prepaid. Freight class 250.

Specifications and prices are subject to change without prior notice.



MODEL	MODEL NUMBER									Approx. Packaged Weight	Delivered Pricing
	Basic Model	Armcap Type	Power & Location	Glide Option	Base Finish	Armcap Finish	Power Color	Upholstery Color	Thread Color		
 ZYGN <b>Guest Loveseat</b> • Fully upholstered, featuring 3.5" molded foam seat cushions • 14" die-cast aluminum leg • Extruded aluminum base • Stitching detail on back rest • Debris clean-out spaces • Field replaceable components • Non-contrast COM = 3.5 yds Overall Dimensions: • W=44.75" D=23.5" H=31.5"	ZYGNCC	□□□	□□□	□□	□□	□□□	□□	□□□	□□□	92.00#	\$ 2908
 ZYGN <b>Guest Loveseat, Bariatric</b> • Fully upholstered, featuring 3.5" molded foam seat cushions • 14" die-cast aluminum leg • Extruded aluminum base • Stitching detail on back rest • Debris clean-out spaces • Field replaceable components • Non-contrast COM = 5.25 yds Overall Dimensions: • W=61.75" D=23.5" H=31.5"	ZYGNBB	□□□	□□□	□□	□□	□□□	□□	□□□	□□□	116.50#	\$ 3467

**A B C D E F G H I**

**HOW TO ORDER**

- Indicate the following information on order form:
- Quantity of each item.
  - Model number, including options. See "How To Build a Model Number".
  - Any special service required.

Note: • The  indicates that a choice is required.  
 • The absence of the  indicates that no choice is required.  
 • Alpha-numeric characters in place of  indicate that no other alternatives are available.

**HOW TO BUILD A MODEL NUMBER**

- A** Select basic model.  
**B** Select armcap type.  
 PACBL - Black poly armcap; add \$207  
 NAC - No armcap  
 WAC - Wood armcaps; add \$291  
**C** Select power & location.  
 M1C - One power module, centered; add \$267  
 M1R - One power module, right-facing; add \$267  
 M1L - One power module, left-facing; add \$267  
 M2 - Two power modules; add \$645  
 NP - No power

- D** Select glide.  
 GFT - Felt glides  
 GPL - Plastic glides  
 Glides adjust 7/8"

- E** Select base/leg finish.  
 Refer to the **Product Color Options** page in this price list.  
 Polished aluminum base/leg requires an upcharge. See FINISH INFORMATION.

- F** Select armcap finish.  
 Refer to the **Product Color Options** page in this price list.

- G** Select power module color.  
 WPBL - Black/Black power module  
 WPWH - White/white power module

- H** Select upholstery grade/color.  
 Refer to [ki.com/fabrics](http://ki.com/fabrics).  
 • For yardage pricing, see Fabric Yardage Pricing page

- I** Select thread color.  
 Refer to the **Product Color Options** page in this price list.

**NOTE**

Ganging is not available on Zoetry product.

Zoetry is offered in non-contrasting upholstery only, as standard.

**FINISH INFORMATION**

Polished Aluminum Upcharge:

Guest Chair	
ZYGNC	\$116
ZYGNB	\$116

Guest Loveseat	
ZYGNCC	\$116
ZYGNBB	\$116
ZYGNBC	\$116
ZYGNCB	\$116

Tandem Guest Loveseat	
ZYGACC	\$116
ZYGABB	\$116
ZYGABC	\$116
ZYGACB	\$116

Guest Sofa	
ZYGNCC	\$177
ZYGNCCW	\$177
ZYGNBWB	\$177
ZYGNBWC	\$177
ZYGNCWB	\$177

Tandem Guest Sofa	
ZYGACC	\$177
ZYGACBC	\$177
ZYGACB	\$177

Tandem Guest Sofa with Table	
ZYGACRC	\$177
ZYGACTC	\$177
ZYGACSC	\$177
ZYGABRB	\$177
ZYGABTB	\$177
ZYGABSB	\$177
ZYGABRC	\$177
ZYGABTC	\$177
ZYGABSC	\$177
ZYGACRB	\$177
ZYGACTB	\$177
ZYGACSB	\$177

Tandem Guest Opposing Orientation Sofa	
ZYGACTCL	\$177
ZYGACTCR	\$177
ZYGACSL	\$177
ZYGACSCR	\$177

ZYGABTBL	\$177
ZYGABTBR	\$177
ZYGABSBL	\$177
ZYGABSBR	\$177
ZYGABTCL	\$177
ZYGABTCR	\$177
ZYGABSCL	\$177
ZYGABSCR	\$177

**SPECIAL SERVICES**

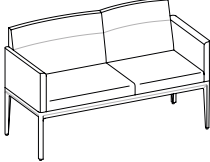
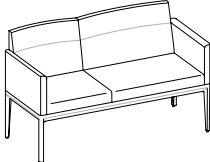
**Special Carton Marking**

With specially marked information N/C

**Shipping**  
 Ships assembled, FOB High Point, NC 27263, freight prepaid. Freight class 250.

Specifications and prices are subject to change without prior notice.



MODEL	MODEL NUMBER									Approx. Packaged Weight	Delivered Pricing
	Basic Model	Armcap Type	Power & Location	Glide Option	Base Finish	Armcap Finish	Power Color	Upholstery Color	Thread Color		
 Guest Loveseat, Bariatric Left/Standard Right • Fully upholstered, featuring 3.5" molded foam seat cushions • 14" die-cast aluminum leg • Extruded aluminum base • Stitching detail on back rest • Debris clean-out spaces • Field replaceable components • Non-contrast COM = 3.75 yds Overall Dimensions: • W=53.25" D=23.5" H=31.5"	ZYGNBC	□□□	□□□	□□	□□	□□□	□□	□□□	□□□	125.00#	\$ 3241
	ZYGN										
 Guest Loveseat, Standard Left/Bariatric Right • Fully upholstered, featuring 3.5" molded foam seat cushions • 14" die-cast aluminum leg • Extruded aluminum base • Stitching detail on back rest • Debris clean-out spaces • Field replaceable components • Non-contrast COM = 3.75 yds Overall Dimensions: • W=53.25" D=23.5" H=31.5"	ZYGNCB	□□□	□□□	□□	□□	□□□	□□	□□□	□□□	125.00#	\$ 3241
	ZYGN										

**A B C D E F G H I**

**HOW TO ORDER**

- Indicate the following information on order form:
- Quantity of each item.
  - Model number, including options. See "How To Build a Model Number".
  - Any special service required.

Note: • The  indicates that a choice is required.  
 • The absence of the  indicates that no choice is required.  
 • Alpha-numeric characters in place of  indicate that no other alternatives are available.

**HOW TO BUILD A MODEL NUMBER**

- A** Select basic model.  
**B** Select armcap type.  
 PACBL - Black poly armcap; add \$207  
 NAC - No armcap  
 WAC - Wood armcaps; add \$291  
**C** Select power & location.  
 M1C - One power module, centered; add \$267  
 M1R - One power module, right-facing; add \$267  
 M1L - One power module, left-facing; add \$267  
 M2 - Two power modules; add \$645  
 NP - No power  
**D** Select glide.  
 GFT - Felt glides  
 GPL - Plastic glides  
 Glides adjust 7/8"

- E** Select base/leg finish.  
 Refer to the **Product Color Options** page in this price list.  
 Polished aluminum base/leg requires an upcharge. See FINISH INFORMATION.  
**F** Select armcap finish.  
 Refer to the **Product Color Options** page in this price list.  
**G** Select power module color.  
 WPBL - Black/Black power module  
 WPTH - White/white power module  
**H** Select upholstery grade/color.  
 Refer to [ki.com/fabrics](http://ki.com/fabrics).  
 • For yardage pricing, see Fabric Yardage Pricing page

- I** Select thread color.  
 Refer to the **Product Color Options** page in this price list.

**NOTE**

Ganging is not available on Zoetry product.  
 Zoetry is offered in non-contrasting upholstery only, as standard.

**FINISH INFORMATION**

Polished Aluminum Upcharge:

Guest Chair	
ZYGNCC	\$116
ZYGNB	\$116

Guest Loveseat	
ZYGNCC	\$116
ZYGNBB	\$116
ZYGNBC	\$116
ZYGNCB	\$116

Tandem Guest Loveseat	
ZYGACC	\$116
ZYGABB	\$116
ZYGABC	\$116
ZYGACB	\$116

Guest Sofa	
ZYGNCCC	\$177
ZYGNCCW	\$177
ZYGNBWB	\$177
ZYGNBWC	\$177
ZYGNCWB	\$177

Tandem Guest Sofa

ZYGACCC	\$177
ZYGACBC	\$177
ZYGACCB	\$177

Tandem Guest Sofa with Table

ZYGACRC	\$177
ZYGACTC	\$177
ZYGACSC	\$177
ZYGABRB	\$177
ZYGABTB	\$177
ZYGABSB	\$177
ZYGABRC	\$177
ZYGABTC	\$177
ZYGABSC	\$177
ZYGACRB	\$177
ZYGACTB	\$177
ZYGACSB	\$177

Tandem Guest Opposing Orientation Sofa

ZYGACTCL	\$177
ZYGACTCR	\$177
ZYGACSCL	\$177
ZYGACSCR	\$177
ZYGABTBL	\$177
ZYGABTBR	\$177
ZYGABSBL	\$177
ZYGABSBR	\$177
ZYGABTCL	\$177
ZYGABTCR	\$177
ZYGABSCL	\$177
ZYGABSCLR	\$177

**SPECIAL SERVICES**

**Special Carton Marking**

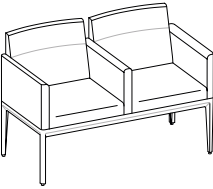
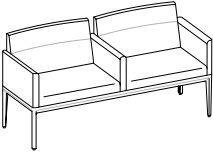
With specially marked information N/C

**Shipping**

Ships assembled, FOB High Point, NC 27263, freight prepaid. Freight class 250.

Specifications and prices are subject to change without prior notice.



MODEL	MODEL NUMBER									Approx. Packaged Weight	Delivered Pricing
	Basic Model	Armcap Type	Power & Location	Glide Option	Base Finish	Armcap Finish	Power Color	Upholstery Color	Thread Color		
 ZYGA <b>Tandem Guest Loveseat</b> • Fully upholstered, featuring 3.5" molded foam seat cushions • 14" die-cast aluminum leg • Extruded aluminum base • Stitching detail on back rest • Debris clean-out spaces • Field replaceable components • Separating arms between seats • Non-contrast COM = 3.75 yds Overall Dimensions: • W=46.75" D=23.5" H=31.5"	ZYGACC	□□□	□□□	□□	□□	□□□	□□	□□□	□□□	97.50#	\$ 3019
 ZYGA <b>Tandem Guest Loveseat, Bariatric</b> • Fully upholstered, featuring 3.5" molded foam seat cushions • 14" die-cast aluminum leg • Extruded aluminum base • Stitching detail on back rest • Debris clean-out spaces • Field replaceable components • Separating arms between seats • Non-contrast COM = 6 yds Overall Dimensions: • W=63.875" D=23.5" H=31.5"	ZYGABB	□□□	□□□	□□	□□	□□□	□□	□□□	□□□	118.50#	\$ 3579

**A B C D E F G H I**

**HOW TO ORDER**

- Indicate the following information on order form:
- Quantity of each item.
  - Model number, including options. See "How To Build a Model Number".
  - Any special service required.

Note: • The □ indicates that a choice is required.  
 • The absence of the □ indicates that no choice is required.  
 • Alpha-numeric characters in place of □ indicate that no other alternatives are available.

**HOW TO BUILD A MODEL NUMBER**

- A** Select basic model.  
**B** Select armcap type.  
 PACBL - Black poly armcap; add \$310  
 NAC - No armcap  
 WAC - Wood armcaps; add \$437  
**C** Select power & location.  
 M1C - One power module, centered; add \$267  
 M1R - One power module, right-facing; add \$267  
 M1L - One power module, left-facing; add \$267  
 M2 - Two power modules; add \$645  
 NP - No power  
**D** Select glide.  
 GFT - Felt glides  
 GPL - Plastic glides  
 Glides adjust 7/8"

- E** Select base/leg finish.  
 Refer to the **Product Color Options** page in this price list.  
 Polished aluminum base/leg requires an upcharge. See FINISH INFORMATION.  
**F** Select armcap finish.  
 Refer to the **Product Color Options** page in this price list.  
**G** Select power module color.  
 WPBL - Black/Black power module  
 WPWH - White/white power module  
**H** Select upholstery grade/color.  
 Refer to [ki.com/fabrics](http://ki.com/fabrics).  
 • For yardage pricing, see Fabric Yardage Pricing page  
**I** Select thread color.  
 Refer to the **Product Color Options** page in this price list.

**NOTE**  
 Ganging is not available on Zoetry product.  
 Zoetry is offered in non-contrasting upholstery only, as standard.

**FINISH INFORMATION**

Polished Aluminum Upcharge:

Guest Chair	
ZYGNC	\$116
ZYGNB	\$116

Guest Loveseat	
ZYGNCC	\$116
ZYGNBB	\$116
ZYGNBC	\$116
ZYGNCB	\$116

Tandem Guest Loveseat	
ZYGACC	\$116
ZYGABB	\$116
ZYGABC	\$116
ZYGACB	\$116

Guest Sofa	
ZYGNCCC	\$177
ZYGNCCW	\$177
ZYGNBWB	\$177
ZYGNBWC	\$177
ZYGNCWB	\$177

Tandem Guest Sofa

ZYGACCC	\$177
ZYGACBC	\$177
ZYGACBCB	\$177

Tandem Guest Sofa with Table

ZYGACRC	\$177
ZYGACTC	\$177
ZYGACSC	\$177
ZYGABRB	\$177
ZYGABTB	\$177
ZYGABSB	\$177
ZYGABRC	\$177
ZYGABTC	\$177
ZYGABSC	\$177
ZYGACRB	\$177
ZYGACTB	\$177
ZYGACSB	\$177

Tandem Guest Opposing Orientation Sofa

ZYGACTCL	\$177
ZYGACTCR	\$177
ZYGACSCL	\$177
ZYGACSCR	\$177
ZYGABTBL	\$177
ZYGABTBR	\$177
ZYGABSBL	\$177
ZYGABSBR	\$177
ZYGABTCL	\$177
ZYGABTCR	\$177
ZYGABSCL	\$177
ZYGABSCR	\$177

**SPECIAL SERVICES**

**Special Carton Marking**

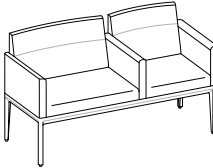
With specially marked information N/C

**Shipping**

Ships assembled, FOB High Point, NC 27263, freight prepaid. Freight class 250.

Specifications and prices are subject to change without prior notice.



MODEL	MODEL NUMBER									Approx. Packaged Weight	Delivered Pricing
	Basic Model	Armcap Type	Power & Location	Glide Option	Base Finish	Armcap Finish	Power Color	Upholstery Color	Thread Color		
 ZYGA <b>Tandem Guest Loveseat, Bariatric Left/Standard Right</b> • Fully upholstered, featuring 3.5" molded foam seat cushions • 14" die-cast aluminum leg • Extruded aluminum base • Stitching detail on back rest • Debris clean-out spaces • Field replaceable components • Separating arms between seats • Non-contrast COM = 4.5 yds Overall Dimensions: • W=55.38" D=23.5" H=31.5"	ZYGABC	<input type="checkbox"/> <input type="checkbox"/> <input type="checkbox"/>	<input type="checkbox"/> <input type="checkbox"/> <input type="checkbox"/>	<input type="checkbox"/> <input type="checkbox"/>	<input type="checkbox"/> <input type="checkbox"/>	<input type="checkbox"/> <input type="checkbox"/> <input type="checkbox"/>	<input type="checkbox"/> <input type="checkbox"/>	<input type="checkbox"/> <input type="checkbox"/> <input type="checkbox"/>	<input type="checkbox"/> <input type="checkbox"/> <input type="checkbox"/>	108.00#	\$ 3351
	ZYGACB	<input type="checkbox"/> <input type="checkbox"/> <input type="checkbox"/>	<input type="checkbox"/> <input type="checkbox"/> <input type="checkbox"/>	<input type="checkbox"/> <input type="checkbox"/>	<input type="checkbox"/> <input type="checkbox"/>	<input type="checkbox"/> <input type="checkbox"/> <input type="checkbox"/>	<input type="checkbox"/> <input type="checkbox"/>	<input type="checkbox"/> <input type="checkbox"/> <input type="checkbox"/>	<input type="checkbox"/> <input type="checkbox"/> <input type="checkbox"/>	<input type="checkbox"/> <input type="checkbox"/> <input type="checkbox"/>	108.00#

**A B C D E F G H I**

**HOW TO ORDER**

- Indicate the following information on order form:
- Quantity of each item.
  - Model number, including options. See "How To Build a Model Number".
  - Any special service required.

Note: • The  indicates that a choice is required.  
 • The absence of the  indicates that no choice is required.  
 • Alpha-numeric characters in place of  indicate that no other alternatives are available.

**HOW TO BUILD A MODEL NUMBER**

- A** Select basic model.
  - PACBL** - Black poly armcap; add \$310
  - NAC** - No armcap
  - WAC** - Wood armcaps; add \$437
- C** Select power & location.
  - MTC** - One power module, centered; add \$267
  - M1R** - One power module, right-facing; add \$267
  - M1L** - One power module, left-facing; add \$267
  - M2** - Two power modules; add \$645
  - NP** - No power
- D** Select glide.
  - GFT** - Felt glides
  - GPL** - Plastic glides
  - Glides adjust 7/8"
- E** Select base/leg finish. Refer to the **Product Color Options** page in this price list. Polished aluminum base/leg requires an upcharge. See FINISH INFORMATION.
- F** Select armcap finish. Refer to the **Product Color Options** page in this price list.
- G** Select power module color.
  - WPBL** - Black/Black power module
  - WPWH** - White/white power module
- H** Select upholstery grade/color. Refer to [ki.com/fabrics](http://ki.com/fabrics).
  - For yardage pricing, see Fabric Yardage Pricing page
- I** Select thread color. Refer to the **Product Color Options** page in this price list.

**NOTE**

Ganging is not available on Zoetry product.  
 Zoetry is offered in non-contrasting upholstery only, as standard.

**FINISH INFORMATION**

Polished Aluminum Upcharge:

Guest Chair	
ZYGNC	\$116
ZYGNB	\$116
Guest Loveseat	
ZYGNCC	\$116
ZYGNBB	\$116
ZYGNBC	\$116
ZYGNCB	\$116
Tandem Guest Loveseat	
ZYGACC	\$116
ZYGABB	\$116
ZYGABC	\$116
ZYGACB	\$116
Guest Sofa	
ZYGNCCC	\$177
ZYGNCWC	\$177
ZYGNBWB	\$177
ZYGNBWC	\$177
ZYGNCWB	\$177

**Tandem Guest Sofa**

ZYGACCC	\$177
ZYGACBC	\$177
ZYGABCB	\$177

**Tandem Guest Sofa with Table**

ZYGACRC	\$177
ZYGACTC	\$177
ZYGACSC	\$177
ZYGABRB	\$177
ZYGABTB	\$177
ZYGABSB	\$177
ZYGABRC	\$177
ZYGABTC	\$177
ZYGABSC	\$177
ZYGABRB	\$177
ZYGACTB	\$177
ZYGACSB	\$177

**Tandem Guest Opposing Orientation Sofa**

ZYGACTCL	\$177
ZYGACTCR	\$177
ZYGACSCL	\$177
ZYGACSCR	\$177
ZYGABTBL	\$177
ZYGABTBR	\$177
ZYGABSBL	\$177
ZYGABSBR	\$177
ZYGABTCL	\$177
ZYGABTCR	\$177
ZYGABSCL	\$177
ZYGABSCR	\$177

**SPECIAL SERVICES**

**Special Carton Marking**

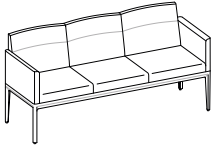
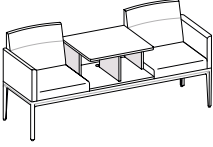
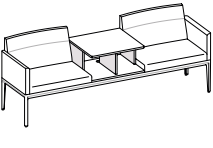
With specially marked information N/C

**Shipping**

Ships **assembled, FOB High Point, NC 27263, freight prepaid.** Freight class 250.

Specifications and prices are subject to change without prior notice.



MODEL	MODEL NUMBER											Approx. Packaged Weight	Delivered Pricing	Laminate Grade 2 add to list price	Laminate Grade 3 add to list price	
	Basic Model	Arm-cap Type	Pwr & Loc	Glide Option	Base Finish	Arm-cap Finish	Power Color	Uph. Color	Thread Color	Table Finish	Edge Color (73P)					
 <p><b>Guest Sofa</b>                      • Fully upholstered, featuring 3.5" molded foam seat cushions                      • 14" die-cast aluminum leg                      • Extruded aluminum base                      • Stitching detail on back rest                      • Debris clean-out spaces                      • Field replaceable components                      • Non-contrast COM = 4.75 yds                      Overall Dimensions:                      • W=64.9" D=23.5" H=31.5"</p>	ZYGNCCC	<input type="checkbox"/>	<input type="checkbox"/>	<input type="checkbox"/>	<input type="checkbox"/>	<input type="checkbox"/>	<input type="checkbox"/>	<input type="checkbox"/>	<input type="checkbox"/>	<input type="checkbox"/>	<input type="checkbox"/>		149.00#	\$ 3655	N/A	N/A
ZYGN																
 <p><b>Guest Sofa, Standard/Working Height Table/Standard</b>                      • Fully upholstered, featuring 3.5" molded foam seat cushions                      • 14" die-cast aluminum leg                      • Extruded aluminum base                      • Stitching detail on back rest                      • Debris clean-out spaces                      • Field replaceable components                      • Power located in table surface, when power specified                      • No arms near table to allow for collaboration and storage                      • Non-contrast COM = 3.5 yds                      Overall Dimensions:                      • W=69.25" D=23.5" H=31.5"</p>	ZYGNWCW	<input type="checkbox"/>	<input type="checkbox"/>	<input type="checkbox"/>	<input type="checkbox"/>	<input type="checkbox"/>	<input type="checkbox"/>	<input type="checkbox"/>	<input type="checkbox"/>	<input type="checkbox"/>	<input type="checkbox"/>		167.00#	\$ 4432	\$ 27	\$ 178
ZYGN																
 <p><b>Guest Sofa, Bariatric/Working Height Table/Bariatric</b>                      • Fully upholstered, featuring 3.5" molded foam seat cushions                      • 14" die-cast aluminum leg                      • Extruded aluminum base                      • Stitching detail on back rest                      • Debris clean-out spaces                      • Field replaceable components                      • Power located in table surface, when power specified                      • No arms near table to allow for collaboration and storage                      • Non-contrast COM = 5.25 yds                      Overall Dimensions:                      • W=86.25" D=23.5" H=31.5"</p>	ZYGNBWB	<input type="checkbox"/>	<input type="checkbox"/>	<input type="checkbox"/>	<input type="checkbox"/>	<input type="checkbox"/>	<input type="checkbox"/>	<input type="checkbox"/>	<input type="checkbox"/>	<input type="checkbox"/>	<input type="checkbox"/>		236.50#	\$ 4648	\$ 27	\$ 178
ZYGN																

**A B C D E F G H I J K**

**HOW TO ORDER**

- Indicate the following information on order form:
- Quantity of each item.
  - Model number, including options. See "How To Build a Model Number".
  - Any special service required.

Note: • The  indicates that a choice is required.  
 • The absence of the  indicates that no choice is required.  
 • Alpha-numeric characters in place of  indicate that no other alternatives are available.

**HOW TO BUILD A MODEL NUMBER**

- A** Select basic model.
- B** Select armcap type.  
**PACBL** - Black poly armcap; add \$207  
**NAC** - No armcap  
**WAC** - Wood armcaps; add \$291
- C** Select power & location.  
**M1** - One power module; add \$248  
**M1R** - One power module, right-facing; add \$267  
**M1L** - One power module, left-facing; add \$267  
**M2** - Two power modules; add \$645  
**NP** - No power  
 Models with tables are only available with NP or M1.
- D** Select glide.  
**GFT** - Felt glides  
**GPL** - Plastic glides  
 Glides adjust 7/8"
- E** Select base/leg finish.  
 Refer to the **Product Color Options** page in this price list.  
 Polished aluminum base/leg requires an upcharge. See

**FINISH INFORMATION.**

- F** Select armcap finish.  
 Refer to the **Product Color Options** page in this price list.
- G** Select power module color.  
**WPBL** - Black/Black power module  
**WPSL** - Silver/White power module  
**WPWH** - White/white power module
- H** Select upholstery grade/color.  
 Refer to [ki.com/fabrics](http://ki.com/fabrics).  
 • For yardage pricing, see Fabric Yardage Pricing page
- I** Select thread color.  
 Refer to the **Product Color Options** page in this price list.
- J** Select laminate table finish.  
 Refer to the **Product Color Options** page in this price list.
- K** Select 73P edge color.  
 Refer to the **Product Color Options** page in this price list.

**NOTE**

Ganging is not available on Zoetry product.  
 Zoety is offered in non-contrasting upholstery only, as standard.

**FINISH INFORMATION**

Polished Aluminum Upcharge:

Guest Chair	
ZYGNC	\$116
ZYGNB	\$116
Guest Loveseat	
ZYGNC	\$116
ZYGNBB	\$116
ZYGNBC	\$116
ZYGNCB	\$116
Tandem Guest Loveseat	
ZYGACC	\$116
ZYGABB	\$116
ZYGABC	\$116
ZYGACB	\$116

Guest Sofa	
ZYGNCCC	\$177
ZYGNWCW	\$177
ZYGNBWB	\$177
ZYGNBWC	\$177
ZYGNCW	\$177
Tandem Guest Sofa	
ZYGACC	\$177
ZYGACBC	\$177
ZYGACB	\$177

Tandem Guest Sofa with Table	
ZYGACRC	\$177
ZYGACTC	\$177
ZYGACSC	\$177
ZYGABRB	\$177
ZYGABTB	\$177
ZYGABSB	\$177
ZYGABRC	\$177
ZYGABTC	\$177
ZYGABSC	\$177
ZYGACRB	\$177
ZYGACTB	\$177
ZYGACSB	\$177

**Tandem Guest Opposing Orientation Sofa**

ZYGACTCL	\$177
ZYGACTCR	\$177
ZYGACSCL	\$177
ZYGACSCR	\$177
ZYGABTBL	\$177
ZYGABTBR	\$177
ZYGABSBL	\$177
ZYGABSBR	\$177
ZYGABTCL	\$177
ZYGABTCR	\$177
ZYGABSCL	\$177
ZYGABSCR	\$177

**FINISH INFORMATION**

**ADDITIONAL LAMINATE OFFERING**

KI offers laminates beyond those offered in the standard offering. Laminates that are currently available in the program can be viewed in KI product specification tools. Requests to add laminates to the program can be submitted via the product modification request process. Please note, requests to add laminates to the program must include the laminate manufacturers name, color/pattern number, and finish code. Edge options are limited to standard edge colors. If a matching edge is required, this will need to be requested thru the product modification request process and may be subject to additional costs. Due to varying manufacturing processes and quality issues with some laminates, some requests may be denied. Extended lead times and minimum order quantities may apply on orders containing special laminates. Contact the product modification team for questions or additional information regarding special laminates and pricing.

**SPECIAL SERVICES**

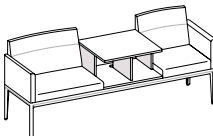
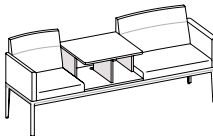
**Special Carton Marking**

With specially marked information N/C

**Shipping**  
 Ships assembled, FOB High Point, NC 27263, freight prepaid. Freight class 250.

Specifications and prices are subject to change without prior notice.



MODEL	MODEL NUMBER											Approx. Packaged Weight	Delivered Pricing	Laminate Grade 2 add to list price	Laminate Grade 3 add to list price
	Basic Model	Arm-cap Type	Pwr & Loc	Glide Option	Base Finish	Arm-cap Finish	Power Color	Uph. Color	Thread Color	Table Finish	Edge Color (73P)				
 ZYGN <b>Guest Sofa, Bariatric/Working Height Table/Standard</b> • Fully upholstered, featuring 3.5" molded foam seat cushions • 14" die-cast aluminum leg • Extruded aluminum base • Stitching detail on back rest • Debris clean-out spaces • Field replaceable components • Power located in table surface, when power specified • No arms near table to allow for collaboration and storage • Non-contrast COM = 3.75 yds Overall Dimensions: • W=77.75" D=23.5" H=31.5"	ZYGNBWC	<input type="checkbox"/>	<input type="checkbox"/>	<input type="checkbox"/>	<input type="checkbox"/>	<input type="checkbox"/>	<input type="checkbox"/>	<input type="checkbox"/>	<input type="checkbox"/>	<input type="checkbox"/>	<input type="checkbox"/>	227.00#	\$ 4681	\$ 27	\$ 178
	ZYGNBWC	<input type="checkbox"/>	<input type="checkbox"/>	<input type="checkbox"/>	<input type="checkbox"/>	<input type="checkbox"/>	<input type="checkbox"/>	<input type="checkbox"/>	<input type="checkbox"/>	<input type="checkbox"/>	<input type="checkbox"/>	<input type="checkbox"/>			
 ZYGN <b>Guest Sofa, Standard/Working Height Table/Bariatric</b> • Fully upholstered, featuring 3.5" molded foam seat cushions • 14" die-cast aluminum leg • Extruded aluminum base • Stitching detail on back rest • Debris clean-out spaces • Field replaceable components • Power located in table surface, when power specified • No arms near table to allow for collaboration and storage • Non-contrast COM = 3.75 yds Overall Dimensions: • W=77.75" D=23.5" H=31.5"	ZYGNBWC	<input type="checkbox"/>	<input type="checkbox"/>	<input type="checkbox"/>	<input type="checkbox"/>	<input type="checkbox"/>	<input type="checkbox"/>	<input type="checkbox"/>	<input type="checkbox"/>	<input type="checkbox"/>	<input type="checkbox"/>	229.00#	\$ 4681	\$ 27	\$ 178
	ZYGNBWC	<input type="checkbox"/>	<input type="checkbox"/>	<input type="checkbox"/>	<input type="checkbox"/>	<input type="checkbox"/>	<input type="checkbox"/>	<input type="checkbox"/>	<input type="checkbox"/>	<input type="checkbox"/>	<input type="checkbox"/>	<input type="checkbox"/>			

**A B C D E F G H I J K**

**HOW TO ORDER**

- Indicate the following information on order form:
- Quantity of each item.
  - Model number, including options. See "How To Build a Model Number".
  - Any special service required.

Note: • The  indicates that a choice is required.  
 • The absence of the  indicates that no choice is required.  
 • Alpha-numeric characters in place of  indicate that no other alternatives are available.

**HOW TO BUILD A MODEL NUMBER**

- A**Select basic model.
- B**Select armcap type.  

<b>PACBL</b>	- Black poly armcap; add \$207
<b>NAC</b>	- No armcap
<b>WAC</b>	- Wood armcaps; add \$291
- C**Select power & location.  

<b>MT</b>	- One power module; add \$248
<b>NP</b>	- No power
- D**Select glide.  

<b>GFT</b>	- Felt glides
<b>GPL</b>	- Plastic glides

 Glides adjust 7/8"
- E**Select base/leg finish.  
 Refer to the **Product Color Options** page in this price list.  
 Polished aluminum base/leg requires an upcharge. See FINISH INFORMATION.

- F**Select armcap finish.  
 Refer to the **Product Color Options** page in this price list.
- G**Select power module color.  

<b>WPBL</b>	- Black/Black power module
<b>WPSL</b>	- Silver/White power module
<b>WPWH</b>	- White/white power module
- H**Select upholstery grade/color.  
 Refer to **ki.com/fabrics**.  
 • For yardage pricing, see Fabric Yardage Pricing page
- I**Select thread color.  
 Refer to the **Product Color Options** page in this price list.
- J**Select laminate table finish.  
 Refer to the **Product Color Options** page in this price list.
- K**Select 73P edge color.  
 Refer to the **Product Color Options** page in this price list.

**NOTE**

Ganging is not available on Zoetry product.

Zoety is offered in non-contrasting upholstery only, as standard.

**FINISH INFORMATION**

Polished Aluminum Upcharge:

Guest Chair	
ZYGNC	\$116
ZYGNB	\$116
Guest Loveseat	
ZYGNCC	\$116
ZYGNBB	\$116
ZYGNBC	\$116
ZYGNCB	\$116
Tandem Guest Loveseat	
ZYGACC	\$116
ZYGABB	\$116
ZYGABC	\$116
ZYGACB	\$116

Guest Sofa	
ZYGNCCC	\$177
ZYGNBWC	\$177
ZYGNBWB	\$177
ZYGNBWC	\$177
ZYGNBWB	\$177
ZYGNBWC	\$177
ZYGNBWB	\$177
Tandem Guest Sofa	
ZYGACC	\$177
ZYGACBC	\$177
ZYGACB	\$177
Tandem Guest Sofa with Table	
ZYGACRC	\$177
ZYGACTC	\$177
ZYGACSC	\$177
ZYGABRB	\$177
ZYGABTB	\$177
ZYGABSB	\$177
ZYGABRC	\$177
ZYGABTC	\$177
ZYGABSC	\$177
ZYGACRB	\$177
ZYGACTB	\$177
ZYGACSB	\$177

Tandem Guest Opposing Orientation Sofa	
ZYGACTCL	\$177
ZYGACTCR	\$177
ZYGACSCL	\$177
ZYGACSCR	\$177
ZYGABTBL	\$177
ZYGABTBR	\$177
ZYGABSBL	\$177
ZYGABSBR	\$177
ZYGABTCL	\$177
ZYGABTCR	\$177
ZYGABSCL	\$177
ZYGABSCR	\$177

**FINISH INFORMATION**

**ADDITIONAL LAMINATE OFFERING**

KI offers laminates beyond those offered in the standard offering. Laminates that are currently available in the program can be viewed in KI product specification tools. Requests to add laminates to the program can be submitted via the product modification request process. Please note, requests to add laminates to the program must include the laminate manufacturers name, color/pattern number, and finish code. Edge options are limited to standard edge colors. If a matching edge is required, this will need to be requested thru the product modification request process and may be subject to additional costs. Due to varying manufacturing processes and quality issues with some laminates, some requests may be denied. Extended lead times and minimum order quantities may apply on orders containing special laminates. Contact the product modification team for questions or additional information regarding special laminates and pricing.

**SPECIAL SERVICES**

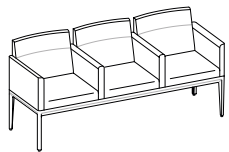
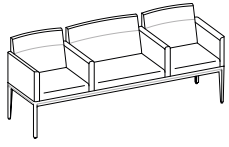
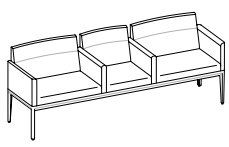
**Special Carton Marking**

With specially marked information N/C

**Shipping**  
 Ships assembled, FOB High Point, NC 27263, freight prepaid. Freight class 250.

Specifications and prices are subject to change without prior notice.



MODEL	MODEL NUMBER									Approx. Packaged Weight	Delivered Pricing
	Basic Model	Armcap Type	Power & Location	Glide Option	Base Finish	Armcap Finish	Power Color	Uph. Color	Thread Color		
 <b>Tandem Guest Sofa</b> • Fully upholstered, featuring 3.5" molded foam seat cushions • 14" die-cast aluminum leg • Extruded aluminum base • Stitching detail on back rest • Debris clean-out spaces • Field replaceable components • Separating arms between seats • Non-contrast COM = 5.5 yds Overall Dimensions: • W=69.25" D=23.5" H=31.5"	ZYGACCC	<input type="checkbox"/>	<input type="checkbox"/>	<input type="checkbox"/>	<input type="checkbox"/>	<input type="checkbox"/>	<input type="checkbox"/>	<input type="checkbox"/>	<input type="checkbox"/>	126.50#	\$ 4210
ZYGA											
 <b>Tandem Guest Sofa, Standard/Bariatric/Standard</b> • Fully upholstered, featuring 3.5" molded foam seat cushions • 14" die-cast aluminum leg • Extruded aluminum base • Stitching detail on back rest • Debris clean-out spaces • Field replaceable components • Separating arms between seats • Non-contrast COM = 5.75 yds Overall Dimensions: • W=77.75" D=23.5" H=31.5"	ZYGACBC	<input type="checkbox"/>	<input type="checkbox"/>	<input type="checkbox"/>	<input type="checkbox"/>	<input type="checkbox"/>	<input type="checkbox"/>	<input type="checkbox"/>	<input type="checkbox"/>	187.50#	\$ 4625
ZYGA											
 <b>Tandem Guest Sofa, Bariatric/Standard/Bariatric</b> • Fully upholstered, featuring 3.5" molded foam seat cushions • 14" die-cast aluminum leg • Extruded aluminum base • Stitching detail on back rest • Debris clean-out spaces • Field replaceable components • Separating arms between seats • Non-contrast COM = 6.5 yds Overall Dimensions: • W=86.25" D=23.5" H=31.5"	ZYGACBB	<input type="checkbox"/>	<input type="checkbox"/>	<input type="checkbox"/>	<input type="checkbox"/>	<input type="checkbox"/>	<input type="checkbox"/>	<input type="checkbox"/>	<input type="checkbox"/>	197.00#	\$ 4858
ZYGA											

**A** **B** **C** **D** **E** **F** **G** **H** **I**

**HOW TO ORDER**

- Indicate the following information on order form:
- Quantity of each item.
  - Model number, including options. See "How To Build a Model Number".
  - Any special service required.

Note: • The  indicates that a choice is required.  
 • The absence of the  indicates that no choice is required.  
 • Alpha-numeric characters in place of  indicate that no other alternatives are available.

**HOW TO BUILD A MODEL NUMBER**

- A** Select basic model.
- B** Select armcap type.
  - PACBL** - Black poly armcap; add \$414
  - NAC** - No armcap
  - WAC** - Wood armcaps; add \$582
- C** Select power & location.
  - M1R** - One power module, right-facing; add \$267
  - M1L** - One power module, left-facing; add \$267
  - M2** - Two power modules; add \$645
  - NP** - No power
- D** Select glide.
  - GFT** - Felt glides
  - GPL** - Plastic glides
  - Glides adjust 7/8"
- E** Select base/leg finish. Refer to the **Product Color Options** page in this price list.

Polished aluminum base/leg requires an upcharge. See FINISH INFORMATION.

- F** Select armcap finish. Refer to the **Product Color Options** page in this price list.
- G** Select power module color.
  - WPBL** - Black/Black power module
  - WPWH** - White/white power module
- H** Select upholstery grade/color. Refer to [ki.com/fabrics](http://ki.com/fabrics).  
 • For yardage pricing, see Fabric Yardage Pricing page
- I** Select thread color. Refer to the **Product Color Options** page in this price list.

**NOTE**

Ganging is not available on Zoetry product.

Zoetry is offered in non-contrasting upholstery only, as standard.

**FINISH INFORMATION**

Polished Aluminum Upcharge:

Guest Chair	
ZYGNCC	\$116
ZYGNB	\$116

Guest Loveseat	
ZYGNCC	\$116
ZYGNBB	\$116
ZYGNBC	\$116
ZYGNCB	\$116

Tandem Guest Loveseat	
ZYGACC	\$116
ZYGABB	\$116
ZYGABC	\$116
ZYGACB	\$116

Guest Sofa	
ZYGNCCC	\$177
ZYGNWC	\$177
ZYGNBWB	\$177
ZYGNBWC	\$177
ZYGNCW	\$177

Tandem Guest Sofa

ZYGACCC	\$177
ZYGACBC	\$177
ZYGACBB	\$177

Tandem Guest Sofa with Table

ZYGACRC	\$177
ZYGACTC	\$177
ZYGACSC	\$177
ZYGABRB	\$177
ZYGABTB	\$177
ZYGABSB	\$177
ZYGABRC	\$177
ZYGABTC	\$177
ZYGABSC	\$177
ZYGACRB	\$177
ZYGACTB	\$177
ZYGACSB	\$177

Tandem Guest Opposing Orientation Sofa

ZYGACTCL	\$177
ZYGACTCR	\$177
ZYGACSCL	\$177
ZYGACSCR	\$177
ZYGABTBL	\$177
ZYGABTBR	\$177
ZYGABSBL	\$177
ZYGABSBR	\$177
ZYGABTCL	\$177
ZYGABTCR	\$177
ZYGABSCL	\$177
ZYGABSCLR	\$177

**SPECIAL SERVICES**

**Special Carton Marking**

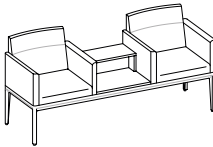
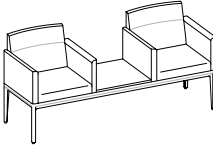
With specially marked information N/C

**Shipping**

Ships assembled, FOB High Point, NC 27263, freight prepaid. Freight class 250.

Specifications and prices are subject to change without prior notice.



MODEL	MODEL NUMBER											Approx. Packaged Weight	Delivered Pricing	Laminate Grade 2 add to list price	Laminate Grade 3 add to list price
	Basic Model	Arm-cap Type	Power & Location	Glide Option	Base Finish	Arm-cap Finish	Power Color	Uph. Color	Thread Color	Table Finish	Edge Color (73P)				
 ZYGA <b>Tandem Guest Sofa, Standard/Raised Table/Standard</b> • Fully upholstered, featuring 3.5" molded foam seat cushions • 14" die-cast aluminum leg • Extruded aluminum base • Stitching detail on back rest • Debris clean-out spaces • Field replaceable components • Separating arms • Power located in table surface, when power specified • Table features raised portion for easy access to personal items • Non-contrast COM = 4.75 yds Overall Dimensions: • W=69.25" D=23.5" H=31.5"	ZYGACRC	<input type="checkbox"/>	<input type="checkbox"/>	<input type="checkbox"/>	<input type="checkbox"/>	<input type="checkbox"/>	<input type="checkbox"/>	<input type="checkbox"/>	<input type="checkbox"/>	<input type="checkbox"/>	<input type="checkbox"/>	162.00#	\$ 4432	\$ 27	\$ 178
	ZYGACTC	<input type="checkbox"/>	<input type="checkbox"/>	<input type="checkbox"/>	<input type="checkbox"/>	<input type="checkbox"/>	<input type="checkbox"/>	<input type="checkbox"/>	<input type="checkbox"/>	<input type="checkbox"/>	<input type="checkbox"/>	<input type="checkbox"/>	126.00#	\$ 3989	\$ 27
 ZYGA <b>Tandem Guest Sofa, Standard/Flat Table/Standard</b> • Fully upholstered, featuring 3.5" molded foam seat cushions • 14" die-cast aluminum leg • Extruded aluminum base • Stitching detail on back rest • Debris clean-out spaces • Field replaceable components • Separating arms • Power located in table surface, when power specified • In-line table supports personal items • Non-contrast COM = 4.75 yds Overall Dimensions: • W=69.25" D=23.5" H=31.5"	ZYGACTC	<input type="checkbox"/>	<input type="checkbox"/>	<input type="checkbox"/>	<input type="checkbox"/>	<input type="checkbox"/>	<input type="checkbox"/>	<input type="checkbox"/>	<input type="checkbox"/>	<input type="checkbox"/>	<input type="checkbox"/>	126.00#	\$ 3989	\$ 27	\$ 178
	ZYGACTC	<input type="checkbox"/>	<input type="checkbox"/>	<input type="checkbox"/>	<input type="checkbox"/>	<input type="checkbox"/>	<input type="checkbox"/>	<input type="checkbox"/>	<input type="checkbox"/>	<input type="checkbox"/>	<input type="checkbox"/>	<input type="checkbox"/>	126.00#	\$ 3989	\$ 27

**HOW TO ORDER**

Indicate the following information on order form:

- Quantity of each item.
- Model number, including options. See "How To Build a Model Number".
- Any special service required.

Note:

- The  indicates that a choice is required.
- The absence of the  indicates that no choice is required.
- Alpha-numeric characters in place of  indicate that no other alternatives are available.

**HOW TO BUILD A MODEL NUMBER**

**A** Select basic model.

**B** Select armcap type.  
**PACBL** - Black poly armcap; add \$414  
**NAC** - No armcap  
**WAC** - Wood armcaps; add \$582

**C** Select power & location.  
**M1** - One power module; add \$248  
**NP** - No power

**D** Select glide.  
**GFT** - Felt glides  
**GPL** - Plastic glides  
 Glides adjust 7/8"

**E** Select base/leg finish.  
 Refer to the **Product Color Options** page in this price list.  
 Polished aluminum base/leg requires an upcharge. See FINISH INFORMATION.

**F** Select armcap finish.  
 Refer to the **Product Color Options** page in this price list.

**G** Select power module color.  
**WPBL** - Black/Black power module  
**WPSL** - Silver/White power module  
**WPWH** - White/white power module

**H** Select upholstery grade/color.  
 Refer to **ki.com/fabrics**.  
 • For yardage pricing, see Fabric Yardage Pricing page

**I** Select thread color.  
 Refer to the **Product Color Options** page in this price list.

**J** Select laminate table finish.  
 Refer to the **Product Color Options** page in this price list.

**K** Select 73P edge color.  
 Refer to the **Product Color Options** page in this price list.

**NOTE**  
 Ganging is not available on Zoetry product.

Zoety is offered in non-contrasting upholstery only, as standard.

**FINISH INFORMATION**  
 Polished Aluminum Upcharge:

Guest Chair	
ZYGNC	\$116
ZYGNB	\$116
Guest Loveseat	
ZYGNCC	\$116
ZYGNBB	\$116
ZYGNBC	\$116
ZYGNCB	\$116
Tandem Guest Loveseat	
ZYGACC	\$116
ZYGABB	\$116
ZYGABC	\$116
ZYGACB	\$116

Guest Sofa	
ZYGNCCC	\$177
ZYGNWC	\$177
ZYGNBWB	\$177
ZYGNBWC	\$177
ZYGNCW	\$177
Tandem Guest Sofa	
ZYGACC	\$177
ZYGACBC	\$177
ZYGACB	\$177
Tandem Guest Sofa with Table	
ZYGACRC	\$177
ZYGACTC	\$177
ZYGACSC	\$177
ZYGABRB	\$177
ZYGABTB	\$177
ZYGABSB	\$177
ZYGABRC	\$177
ZYGABTC	\$177
ZYGABSC	\$177
ZYGACRB	\$177
ZYGACTB	\$177
ZYGACSB	\$177

Tandem Guest Opposing Orientation Sofa

ZYGACTCL	\$177
ZYGACTCR	\$177
ZYGACSC	\$177
ZYGACSCR	\$177
ZYGABTBL	\$177
ZYGABTBR	\$177
ZYGABSBL	\$177
ZYGABSBR	\$177
ZYGABTCL	\$177
ZYGABTCR	\$177
ZYGABSCL	\$177
ZYGABSCL	\$177

**FINISH INFORMATION**

ADDITIONAL LAMINATE OFFERING

KI offers laminates beyond those offered in the standard offering. Laminates that are currently available in the program can be viewed in KI product specification tools. Requests to add laminates to the program can be submitted via the product modification request process. Please note, requests to add laminates to the program must include the laminate manufacturers name, color/pattern number, and finish code. Edge options are limited to standard edge colors. If a matching edge is required, this will need to be requested thru the product modification request process and may be subject to additional costs. Due to varying manufacturing processes and quality issues with some laminates, some requests may be denied. Extended lead times and minimum order quantities may apply on orders containing special laminates. Contact the product modification team for questions or additional information regarding special laminates and pricing.

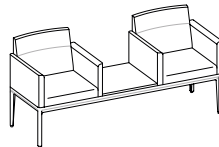
**SPECIAL SERVICES**

**Special Carton Marking**  
 With specially marked information N/C

**Shipping**  
 Ships assembled, FOB High Point, NC 27263, freight prepaid. Freight class 250.

Specifications and prices are subject to change without prior notice.



MODEL	MODEL NUMBER									Approx. Packaged Weight	Delivered Pricing	
	Basic Model	Armcap Type	Power & Location	Glide Option	Base Finish	Armcap Finish	Power Color	Uph. Color	Thread Color			
 <p>ZYGA</p> <p><b>Tandem Guest Sofa, Standard/Solid Surface Table/Standard</b></p> <ul style="list-style-type: none"> <li>Fully upholstered, featuring 3.5" molded foam seat cushions</li> <li>14" die-cast aluminum leg</li> <li>Extruded aluminum base</li> <li>Stitching detail on back rest</li> <li>Debris clean-out spaces</li> <li>Field replaceable components</li> <li>Separating arms</li> <li>Power located in table surface, when power specified</li> <li>Corian® Solid Surface in-line table supports personal items</li> <li>Non-contrast COM = 4.75 yds</li> </ul> <p>Overall Dimensions: • W=69.25" D=23.5" H=31.5"</p>	ZYGACSC	<input type="checkbox"/> <input type="checkbox"/> <input type="checkbox"/>	<input type="checkbox"/> <input type="checkbox"/> <input type="checkbox"/>	<input type="checkbox"/> <input type="checkbox"/>	<input type="checkbox"/> <input type="checkbox"/>	<input type="checkbox"/> <input type="checkbox"/> <input type="checkbox"/>	<input type="checkbox"/> <input type="checkbox"/>	<input type="checkbox"/> <input type="checkbox"/> <input type="checkbox"/>	<input type="checkbox"/> <input type="checkbox"/>	121.00#	\$ 4432	
	<b>A</b>	<b>B</b>	<b>C</b>	<b>D</b>	<b>E</b>	<b>F</b>	<b>G</b>	<b>H</b>	<b>I</b>			

**HOW TO ORDER**

- Indicate the following information on order form:
- Quantity of each item.
  - Model number, including options. See "How To Build a Model Number".
  - Any special service required.

Note: • The  indicates that a choice is required.  
• The absence of the  indicates that no choice is required.  
• Alpha-numeric characters in place of  indicate that no other alternatives are available.

**HOW TO BUILD A MODEL NUMBER**

**A** Select basic model.

- B** Select armcap type.
- PACBL** - Black poly armcap; add \$414
  - NAC** - No armcap
  - WAC** - Wood armcaps; add \$582

- C** Select power & location.
- M1** - One power module; add \$248
  - NP** - No power

- D** Select glide.
- GFT** - Felt glides
  - GPL** - Plastic glides
- Glides adjust 7/8"

**E** Select base/leg finish.  
Refer to the **Product Color Options** page in this price list.  
Polished aluminum base/leg requires an upcharge. See FINISH INFORMATION.

**F** Select armcap finish.  
Refer to the **Product Color Options** page in this price list.

- G** Select power module color.
- WPBL** - Black/Black power module
  - WPSL** - Silver/White power module
  - WPWH** - White/white power module

**H** Select upholstery grade/color.  
Refer to [ki.com/fabrics](http://ki.com/fabrics).  
• For yardage pricing, see Fabric Yardage Pricing page

**I** Select thread color.  
Refer to the **Product Color Options** page in this price list.

**NOTE**

Solid surface color is always Corian® Glacier White.  
Corian® is a DuPont brand.

Ganging is not available on Zoetry product.

Zoetry is offered in non-contrasting upholstery only, as standard.

**FINISH INFORMATION**

Polished Aluminum Upcharge:

Guest Chair	
ZYGNC	\$116
ZYGNB	\$116

Guest Loveseat	
ZYGNCC	\$116
ZYGNBB	\$116
ZYGNBC	\$116
ZYGNCB	\$116

Tandem Guest Loveseat	
ZYGACC	\$116
ZYGABB	\$116
ZYGABC	\$116
ZYGACB	\$116

Guest Sofa	
ZYGNCCC	\$177
ZYGNWC	\$177
ZYGNBWB	\$177
ZYGNBWC	\$177
ZYGNCW	\$177

Tandem Guest Sofa

ZYGACCC	\$177
ZYGACBC	\$177
ZYGACB	\$177

Tandem Guest Sofa with Table

ZYGACRC	\$177
ZYGACTC	\$177
ZYGACSC	\$177
ZYGABRB	\$177
ZYGABTB	\$177
ZYGABSB	\$177
ZYGABRC	\$177
ZYGABTC	\$177
ZYGABSC	\$177
ZYGACRB	\$177
ZYGACTB	\$177
ZYGACSB	\$177

Tandem Guest Opposing Orientation Sofa

ZYGACTCL	\$177
ZYGACTCR	\$177
ZYGACSCL	\$177
ZYGACSCR	\$177
ZYGABTBL	\$177
ZYGABTBR	\$177
ZYGABSBL	\$177
ZYGABSBR	\$177
ZYGABTCL	\$177
ZYGABTCR	\$177
ZYGABSCL	\$177
ZYGABSCL	\$177

**SPECIAL SERVICES**

**Special Carton Marking**

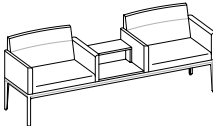
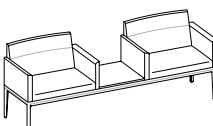
With specially marked information N/C

**Shipping**

Ships assembled, FOB High Point, NC 27263, freight prepaid. Freight class 250.

Specifications and prices are subject to change without prior notice.



MODEL	MODEL NUMBER											Approx. Packaged Weight	Delivered Pricing	Laminate Grade 2 add to list price	Laminate Grade 3 add to list price
	Basic Model	Arm-cap Type	Power & Location	Glide Option	Base Finish	Arm-cap Finish	Power Color	Uph. Color	Thread Color	Table Finish	Edge Color (73P)				
 ZYGA Tandem Guest Sofa, Bariatric/Raised Table/Bariatric • Fully upholstered, featuring 3.5" molded foam seat cushions • 14" die-cast aluminum leg • Extruded aluminum base • Stitching detail on back rest • Debris clean-out spaces • Field replaceable components • Separating arms • Power located in table surface, when power specified • Table features raised portion for easy access to personal items • Non-contrast COM = 6.25 yds Overall Dimensions: • W=86.25" D=23.5" H=31.5"	ZYGABRB	<input type="checkbox"/>	<input type="checkbox"/>	<input type="checkbox"/>	<input type="checkbox"/>	<input type="checkbox"/>	<input type="checkbox"/>	<input type="checkbox"/>	<input type="checkbox"/>	<input type="checkbox"/>	<input type="checkbox"/>	217.00#	\$ 5091	\$ 27	\$ 178
	ZYGABTB	<input type="checkbox"/>	<input type="checkbox"/>	<input type="checkbox"/>	<input type="checkbox"/>	<input type="checkbox"/>	<input type="checkbox"/>	<input type="checkbox"/>	<input type="checkbox"/>	<input type="checkbox"/>	<input type="checkbox"/>	179.00#	\$ 4648	\$ 27	\$ 178
 ZYGA Tandem Guest Sofa, Bariatric/Table/Bariatric • Fully upholstered, featuring 3.5" molded foam seat cushions • 14" die-cast aluminum leg • Extruded aluminum base • Stitching detail on back rest • Debris clean-out spaces • Field replaceable components • Separating arms • Power located in table surface, when power specified • In-line table supports personal items • Non-contrast COM = 6.25 yds Overall Dimensions: • W=86.25" D=23.5" H=31.5"															

**HOW TO ORDER**

- Indicate the following information on order form:
- Quantity of each item.
  - Model number, including options. See "How To Build a Model Number".
  - Any special service required.

Note: • The  indicates that a choice is required.  
 • The absence of the  indicates that no choice is required.  
 • Alpha-numeric characters in place of  indicate that no other alternatives are available.

**HOW TO BUILD A MODEL NUMBER**

- A** Select basic model.
- B** Select armcap type.  
**PACBL** - Black poly armcap; add \$414  
**NAC** - No armcap  
**WAC** - Wood armcaps; add \$582
- C** Select power & location.  
**M1** - One power module; add \$248  
**NP** - No power
- D** Select glide.  
**GFT** - Felt glides  
**GPL** - Plastic glides  
 Glides adjust 7/8"
- E** Select base/leg finish.  
 Refer to the **Product Color Options** page in this price list.  
 Polished aluminum base/leg requires an upcharge. See FINISH INFORMATION.

- F** Select armcap finish.  
 Refer to the **Product Color Options** page in this price list.
- G** Select power module color.  
**WPBL** - Black/Black power module  
**WPSL** - Silver/White power module  
**WPHW** - White/white power module
- H** Select upholstery grade/color.  
 Refer to **ki.com/fabrics**.  
 • For yardage pricing, see Fabric Yardage Pricing page
- I** Select thread color.  
 Refer to the **Product Color Options** page in this price list.
- J** Select laminate table finish.  
 Refer to the **Product Color Options** page in this price list.
- K** Select 73P edge color.  
 Refer to the **Product Color Options** page in this price list.

**FINISH INFORMATION**

Polished Aluminum Upcharge:

Guest Chair	
ZYGNCC	\$116
ZYGNBB	\$116
ZYGNBC	\$116
ZYGNB	\$116

Guest Loveseat

ZYGNCC	\$116
ZYGNBB	\$116
ZYGNBC	\$116
ZYGNB	\$116

Tandem Guest Loveseat

ZYGACC	\$116
ZYGABB	\$116
ZYGABC	\$116
ZYGACB	\$116

Guest Sofa

ZYGNCCC	\$177
ZYGNWC	\$177
ZYGNBWB	\$177
ZYGNBWC	\$177
ZYGNCW	\$177

**FINISH INFORMATION**

Tandem Guest Sofa

ZYGACCC	\$177
ZYGACBC	\$177
ZYGACB	\$177

Tandem Guest Sofa with Table

ZYGACRC	\$177
ZYGACTC	\$177
ZYGACSC	\$177
ZYGABRB	\$177
ZYGABTB	\$177
ZYGABSB	\$177
ZYGABRC	\$177
ZYGABTC	\$177
ZYGABSC	\$177
ZYGACRB	\$177
ZYGACTB	\$177
ZYGACSB	\$177

**FINISH INFORMATION**

Tandem Guest Opposing Orientation Sofa

ZYGACTCL	\$177
ZYGACTCR	\$177
ZYGACSCL	\$177
ZYGACSCR	\$177
ZYGABTBL	\$177
ZYGABTBR	\$177
ZYGABSBL	\$177
ZYGABSBR	\$177
ZYGABTCL	\$177
ZYGABTCR	\$177
ZYGABSCL	\$177
ZYGABSCR	\$177

**FINISH INFORMATION**

ADDITIONAL LAMINATE OFFERING

KI offers laminates beyond those offered in the standard offering. Laminates that are currently available in the program can be viewed in KI product specification tools. Requests to add laminates to the program can be submitted via the product modification request process. Please note, requests to add laminates to the program must include the laminate manufacturers name, color/pattern number, and finish code. Edge options are limited to standard edge colors. If a matching edge is required, this will need to be requested thru the product modification request process and may be subject to additional costs. Due to varying manufacturing processes and quality issues with some laminates, some requests may be denied. Extended lead times and minimum order quantities may apply on orders containing special laminates. Contact the product modification team for questions or additional information regarding special laminates and pricing.

**SPECIAL SERVICES**

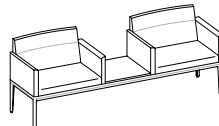
**Special Carton Marking**

With specially marked information N/C

**Shipping**  
 Ships assembled, FOB High Point, NC 27263, freight prepaid. Freight class 250.

Specifications and prices are subject to change without prior notice.



MODEL	MODEL NUMBER									Approx. Packaged Weight	Delivered Pricing	
	Basic Model	Armcap Type	Power & Location	Glide Option	Base Finish	Armcap Finish	Power Color	Uph. Color	Thread Color			
 <p>ZYGA</p> <p><b>Tandem Guest Sofa, Bariatric/Solid Surface Table/Bariatric</b></p> <ul style="list-style-type: none"> <li>Fully upholstered, featuring 3.5" molded foam seat cushions</li> <li>14" die-cast aluminum leg</li> <li>Extruded aluminum base</li> <li>Stitching detail on back rest</li> <li>Debris clean-out spaces</li> <li>Field replaceable components</li> <li>Separating arms</li> <li>Power located in table surface, when power specified</li> <li>Corian® Solid Surface in-line table supports personal items</li> <li>Non-contrast COM = 6.25 yds</li> </ul> <p>Overall Dimensions: • W=86.25" D=23.5" H=31.5"</p>	ZYGABSB	<input type="checkbox"/> <input type="checkbox"/>	<input type="checkbox"/> <input type="checkbox"/>	<input type="checkbox"/>	<input type="checkbox"/>	<input type="checkbox"/> <input type="checkbox"/>	<input type="checkbox"/>	<input type="checkbox"/> <input type="checkbox"/>	<input type="checkbox"/> <input type="checkbox"/>	212.50#	\$ 5091	
	<b>A</b>	<b>B</b>	<b>C</b>	<b>D</b>	<b>E</b>	<b>F</b>	<b>G</b>	<b>H</b>	<b>I</b>			

**HOW TO ORDER**

- Indicate the following information on order form:
- Quantity of each item.
  - Model number, including options. See "How To Build a Model Number".
  - Any special service required.

Note: • The  indicates that a choice is required.  
• The absence of the  indicates that no choice is required.  
• Alpha-numeric characters in place of  indicate that no other alternatives are available.

**HOW TO BUILD A MODEL NUMBER**

- A** Select basic model.
- B** Select armcap type.
 

<b>PACBL</b>	- Black poly armcap; add \$414
<b>NAC</b>	- No armcap
<b>WAC</b>	- Wood armcaps; add \$582
- C** Select power & location.
 

<b>M1</b>	- One power module; add \$248
<b>NP</b>	- No power
- D** Select glide.
 

<b>GFT</b>	- Felt glides
<b>GPL</b>	- Plastic glides

Glides adjust 7/8"
- E** Select base/leg finish. Refer to the **Product Color Options** page in this price list. Polished aluminum base/leg requires an upcharge. See FINISH INFORMATION.
- F** Select armcap finish. Refer to the **Product Color Options** page in this price list.
- G** Select power module color.
 

<b>WPBL</b>	- Black/Black power module
<b>WPSL</b>	- Silver/White power module
<b>WPWH</b>	- White/white power module
- H** Select upholstery grade/color. Refer to **ki.com/fabrics**.  
• For yardage pricing, see Fabric Yardage Pricing page
- I** Select thread color. Refer to the **Product Color Options** page in this price list.

**NOTE**

Solid surface color is always Corian® Glacier White. Corian® is a DuPont brand.

Ganging is not available on Zoetry product.

Zoety is offered in non-contrasting upholstery only, as standard.

**FINISH INFORMATION**

Polished Aluminum Upcharge:	
Tandem Guest Sofa	
ZYGACCC	\$177
ZYGACBC	\$177
ZYGACCB	\$177
Guest Chair	
ZYGNC	\$116
ZYGNB	\$116
Guest Loveseat	
ZYGNCC	\$116
ZYGNBB	\$116
ZYGNBC	\$116
ZYGNCB	\$116
Tandem Guest Loveseat	
ZYGACC	\$116
ZYGABB	\$116
ZYGABC	\$116
ZYGACB	\$116
Guest Sofa	
ZYGNCCC	\$177
ZYGNWC	\$177
ZYGNBWB	\$177
ZYGNBWC	\$177
ZYGNCW	\$177

**Tandem Guest Sofa**

ZYGACCC	\$177
ZYGACBC	\$177
ZYGACCB	\$177

**Tandem Guest Sofa with Table**

ZYGACRC	\$177
ZYGACTC	\$177
ZYGACSC	\$177
ZYGABRB	\$177
ZYGABTB	\$177
ZYGABSB	\$177
ZYGABRC	\$177
ZYGABTC	\$177
ZYGABSC	\$177
ZYGACRB	\$177
ZYGACTB	\$177
ZYGACSB	\$177

**Tandem Guest Opposing Orientation Sofa**

ZYGACTCL	\$177
ZYGACTCR	\$177
ZYGACSCL	\$177
ZYGACSCR	\$177
ZYGABTBL	\$177
ZYGABTBR	\$177
ZYGABSBL	\$177
ZYGABSBR	\$177
ZYGABTCL	\$177
ZYGABTCR	\$177
ZYGABSCL	\$177
ZYGABSCLR	\$177

**SPECIAL SERVICES**

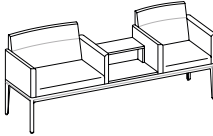
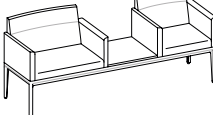
**Special Carton Marking**

With specially marked information N/C

**Shipping**  
Ships **assembled, FOB High Point, NC 27263, freight prepaid.** Freight class 250.

Specifications and prices are subject to change without prior notice.



MODEL	MODEL NUMBER											Approx. Packaged Weight	Delivered Pricing	Laminate Grade 2 add to list price	Laminate Grade 3 add to list price
	Basic Model	Arm-cap Type	Power & Location	Glide Option	Base Finish	Arm-cap Finish	Power Color	Uph. Color	Thread Color	Table Finish	Edge Color (73P)				
 ZYGA <b>Tandem Guest Sofa, Bariatric/Raised Table/Standard</b> • Fully upholstered, featuring 3.5" molded foam seat cushions • 14" die-cast aluminum leg • Extruded aluminum base • Stitching detail on back rest • Debris clean-out spaces • Field replaceable components • Separating arms • Power located in table surface, when power specified • Table features raised portion for easy access to personal items • Non-contrast COM = 4.5 yds Overall Dimensions: • W=77.75" D=23.5" H=31.5"	ZYGABRC	<input type="checkbox"/>	<input type="checkbox"/>	<input type="checkbox"/>	<input type="checkbox"/>	<input type="checkbox"/>	<input type="checkbox"/>	<input type="checkbox"/>	<input type="checkbox"/>	<input type="checkbox"/>	<input type="checkbox"/>	207.50#	\$ 4681	\$ 27	\$ 178
	 ZYGA <b>Tandem Guest Sofa, Bariatric/Table/Standard</b> • Fully upholstered, featuring 3.5" molded foam seat cushions • 14" die-cast aluminum leg • Extruded aluminum base • Stitching detail on back rest • Debris clean-out spaces • Field replaceable components • Separating arms • Power located in table surface, when power specified • In-line table supports personal items • Non-contrast COM = 4.5 yds Overall Dimensions: • W=77.75" D=23.5" H=31.5"	ZYGABTC	<input type="checkbox"/>	<input type="checkbox"/>	<input type="checkbox"/>	<input type="checkbox"/>	<input type="checkbox"/>	<input type="checkbox"/>	<input type="checkbox"/>	<input type="checkbox"/>	<input type="checkbox"/>	<input type="checkbox"/>	169.00#	\$ 4349	\$ 19
	<b>A</b>	<b>B</b>	<b>C</b>	<b>D</b>	<b>E</b>	<b>F</b>	<b>G</b>	<b>H</b>	<b>I</b>	<b>J</b>	<b>K</b>				

**HOW TO ORDER**

- Indicate the following information on order form:
- Quantity of each item.
  - Model number, including options. See "How To Build a Model Number".
  - Any special service required.

Note: • The  indicates that a choice is required.  
 • The absence of the  indicates that no choice is required.  
 • Alpha-numeric characters in place of  indicate that no other alternatives are available.

**HOW TO BUILD A MODEL NUMBER**

- A** Select basic model.
- B** Select armcap type.  
**PACBL** - Black poly armcap; add \$414  
**NAC** - No armcap  
**WAC** - Wood armcaps; add \$582
- C** Select power & location.  
**M1** - One power module; add \$248  
**NP** - No power
- D** Select glide.  
**GFT** - Felt glides  
**GPL** - Plastic glides  
 Glides adjust 7/8"
- E** Select base/leg finish.  
 Refer to the **Product Color Options** page in this price list.  
 Polished aluminum base/leg requires an upcharge. See FINISH INFORMATION.

- F** Select armcap finish.  
 Refer to the **Product Color Options** page in this price list.
- G** Select power module color.  
**WPBL** - Black/Black power module  
**WPSL** - Silver/White power module  
**WPWH** - White/white power module
- H** Select upholstery grade/color.  
 Refer to [ki.com/fabrics](http://ki.com/fabrics).  
 • For yardage pricing, see Fabric Yardage Pricing page
- I** Select thread color.  
 Refer to the **Product Color Options** page in this price list.
- J** Select laminate table finish.  
 Refer to the **Product Color Options** page in this price list.
- K** Select 73P edge color.  
 Refer to the **Product Color Options** page in this price list.

**NOTE**

Ganging is not available on Zoetry product.  
 Zoetry is offered in non-contrasting upholstery only, as standard.

**FINISH INFORMATION**

Polished Aluminum Upcharge:

Guest Chair	
ZYGNC	\$116
ZYGNB	\$116
Guest Loveseat	
ZYGNCC	\$116
ZYGNBB	\$116
ZYGNBC	\$116
ZYGNCB	\$116
Tandem Guest Loveseat	
ZYGACC	\$116
ZYGABB	\$116
ZYGABC	\$116
ZYGACB	\$116

Guest Sofa	
ZYGNCCC	\$177
ZYGNWC	\$177
ZYGNWB	\$177
ZYGNBWC	\$177
ZYGNCW	\$177
Tandem Guest Sofa	
ZYGACC	\$177
ZYGACBC	\$177
ZYGACB	\$177
Tandem Guest Sofa with Table	
ZYGACRC	\$177
ZYGACTC	\$177
ZYGACSC	\$177
ZYGABRB	\$177
ZYGABTB	\$177
ZYGABSB	\$177
ZYGABRC	\$177
ZYGABTC	\$177
ZYGABSC	\$177
ZYGACRB	\$177
ZYGACTB	\$177
ZYGACSB	\$177

**Tandem Guest Opposing Orientation Sofa**

ZYGACTCL	\$177
ZYGACTCR	\$177
ZYGACSC	\$177
ZYGACSCR	\$177
ZYGABTBL	\$177
ZYGABTBR	\$177
ZYGABSBL	\$177
ZYGABSBR	\$177
ZYGABTCL	\$177
ZYGABTCR	\$177
ZYGABSCL	\$177
ZYGABSCLR	\$177

**FINISH INFORMATION**

**ADDITIONAL LAMINATE OFFERING**

KI offers laminates beyond those offered in the standard offering. Laminates that are currently available in the program can be viewed in KI product specification tools. Requests to add laminates to the program can be submitted via the product modification request process. Please note, requests to add laminates to the program must include the laminate manufacturers name, color/pattern number, and finish code. Edge options are limited to standard edge colors. If a matching edge is required, this will need to be requested thru the product modification request process and may be subject to additional costs. Due to varying manufacturing processes and quality issues with some laminates, some requests may be denied. Extended lead times and minimum order quantities may apply on orders containing special laminates. Contact the product modification team for questions or additional information regarding special laminates and pricing.

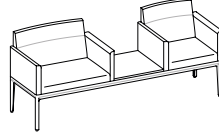
**SPECIAL SERVICES**

**Special Carton Marking**  
 With specially marked information N/C

**Shipping**  
 Ships assembled, FOB High Point, NC 27263, freight prepaid. Freight class 250.

Specifications and prices are subject to change without prior notice.



MODEL	MODEL NUMBER									Approx. Packaged Weight	Delivered Pricing	
	Basic Model	Armcap Type	Power & Location	Glide Option	Base Finish	Armcap Finish	Power Color	Uph. Color	Thread Color			
 <p>ZYGA</p> <p><b>Tandem Guest Sofa, Bariatric/Solid Surface Table/Standard</b></p> <ul style="list-style-type: none"> <li>Fully upholstered, featuring 3.5" molded foam seat cushions</li> <li>14" die-cast aluminum leg</li> <li>Extruded aluminum base</li> <li>Stitching detail on back rest</li> <li>Debris clean-out spaces</li> <li>Field replaceable components</li> <li>Separating arms</li> <li>Power located in table surface, when power specified</li> <li>Corian® Solid Surface in-line table supports personal items</li> <li>Non-contrast COM = 4.5 yds</li> </ul> <p>Overall Dimensions: • W=77.75" D=23.5" H=31.5"</p>	ZYGABSC	<input type="checkbox"/> <input type="checkbox"/> <input type="checkbox"/>	<input type="checkbox"/> <input type="checkbox"/> <input type="checkbox"/>	<input type="checkbox"/> <input type="checkbox"/>	<input type="checkbox"/> <input type="checkbox"/>	<input type="checkbox"/> <input type="checkbox"/> <input type="checkbox"/>	<input type="checkbox"/> <input type="checkbox"/>	<input type="checkbox"/> <input type="checkbox"/> <input type="checkbox"/>	<input type="checkbox"/> <input type="checkbox"/> <input type="checkbox"/>	203.00#	\$ 4681	
	<b>A</b>	<b>B</b>	<b>C</b>	<b>D</b>	<b>E</b>	<b>F</b>	<b>G</b>	<b>H</b>	<b>I</b>			

**HOW TO ORDER**

- Indicate the following information on order form:
- Quantity of each item.
  - Model number, including options. See "How To Build a Model Number".
  - Any special service required.

Note: • The  indicates that a choice is required.  
• The absence of the  indicates that no choice is required.  
• Alpha-numeric characters in place of  indicate that no other alternatives are available.

**HOW TO BUILD A MODEL NUMBER**

- A** Select basic model.
- B** Select armcap type.
 

<b>PACBL</b>	- Black poly armcap; add \$414
<b>NAC</b>	- No armcap
<b>WAC</b>	- Wood armcaps; add \$582
- C** Select power & location.
 

<b>M1</b>	- One power module; add \$248
<b>NP</b>	- No power
- D** Select glide.
 

<b>GFT</b>	- Felt glides
<b>GPL</b>	- Plastic glides

Glides adjust 7/8"
- E** Select base/leg finish. Refer to the **Product Color Options** page in this price list. Polished aluminum base/leg requires an upcharge. See FINISH INFORMATION.
- F** Select armcap finish. Refer to the **Product Color Options** page in this price list.
 

<b>WPBL</b>	- Black/Black power module
<b>WPSL</b>	- Silver/White power module
<b>WPWH</b>	- White/white power module
- G** Select power module color.
- H** Select upholstery grade/color. Refer to [ki.com/fabrics](http://ki.com/fabrics).  
• For yardage pricing, see Fabric Yardage Pricing page
- I** Select thread color. Refer to the **Product Color Options** page in this price list.

**NOTE**

Solid surface color is always Corian® Glacier White. Corian® is a DuPont brand.

Ganging is not available on Zoetry product.

Zoety is offered in non-contrasting upholstery only, as standard.

**FINISH INFORMATION**

Polished Aluminum Upcharge:

Guest Chair	
ZYGNC	\$116
ZYGNB	\$116
Guest Loveseat	
ZYGNCC	\$116
ZYGNBB	\$116
ZYGNBC	\$116
ZYGNCB	\$116
Tandem Guest Loveseat	
ZYGACC	\$116
ZYGABB	\$116
ZYGABC	\$116
ZYGACB	\$116
Guest Sofa	
ZYGNCCC	\$177
ZYGNCWC	\$177
ZYGNBWB	\$177
ZYGNBWC	\$177
ZYGNCWB	\$177

**Tandem Guest Sofa**

ZYGACCC	\$177
ZYGACBC	\$177
ZYGACCB	\$177

**Tandem Guest Sofa with Table**

ZYGACRC	\$177
ZYGACTC	\$177
ZYGACSC	\$177
ZYGABRB	\$177
ZYGABTB	\$177
ZYGABSB	\$177
ZYGABRC	\$177
ZYGABTC	\$177
ZYGABSC	\$177
ZYGACRB	\$177
ZYGACTB	\$177
ZYGACSB	\$177

**Tandem Guest Opposing Orientation Sofa**

ZYGACTCL	\$177
ZYGACTCR	\$177
ZYGACSL	\$177
ZYGACSCR	\$177
ZYGABTBL	\$177
ZYGABTBR	\$177
ZYGABSBL	\$177
ZYGABSBR	\$177
ZYGABTCL	\$177
ZYGABTCR	\$177
ZYGABSCL	\$177
ZYGABSCLR	\$177

**SPECIAL SERVICES**

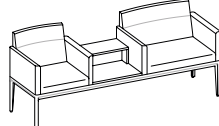
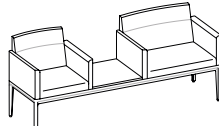
**Special Carton Marking**

With specially marked information N/C

**Shipping**  
Ships **assembled, FOB High Point, NC 27263, freight prepaid.** Freight class 250.

Specifications and prices are subject to change without prior notice.



MODEL	MODEL NUMBER											Approx. Packaged Weight	Delivered Pricing	Laminate Grade 2 add to list price	Laminate Grade 3 add to list price
	Basic Model	Arm-cap Type	Power & Location	Glide Option	Base Finish	Arm-cap Finish	Power Color	Uph. Color	Thread Color	Table Finish	Edge Color (73P)				
 ZYGA Tandem Guest Sofa, Standard/Raised Table/Bariatric • Fully upholstered, featuring 3.5" molded foam seat cushions • 14" die-cast aluminum leg • Extruded aluminum base • Stitching detail on back rest • Debris clean-out spaces • Field replaceable components • Separating arms • Power located in table surface, when power specified • Table features raised portion for easy access to personal items • Non-contrast COM = 4.5 yds Overall Dimensions: • W=77.75" D=23.5" H=31.5"	ZYGACRB	<input type="checkbox"/>	<input type="checkbox"/>	<input type="checkbox"/>	<input type="checkbox"/>	<input type="checkbox"/>	<input type="checkbox"/>	<input type="checkbox"/>	<input type="checkbox"/>	<input type="checkbox"/>	<input type="checkbox"/>	217.50#	\$ 4681	\$ 27	\$ 178
	ZYGACTB	<input type="checkbox"/>	<input type="checkbox"/>	<input type="checkbox"/>	<input type="checkbox"/>	<input type="checkbox"/>	<input type="checkbox"/>	<input type="checkbox"/>	<input type="checkbox"/>	<input type="checkbox"/>	<input type="checkbox"/>	<input type="checkbox"/>	196.50#	\$ 4349	\$ 19
 ZYGA Tandem Guest Sofa, Standard/Table/Bariatric • Fully upholstered, featuring 3.5" molded foam seat cushions • 14" die-cast aluminum leg • Extruded aluminum base • Stitching detail on back rest • Debris clean-out spaces • Field replaceable components • Separating arms • Power located in table surface, when power specified • In-line table supports personal items • Non-contrast COM = 4.5 yds Overall Dimensions: • W=77.75" D=23.5" H=31.5"															

**HOW TO ORDER**

Indicate the following information on order form:  
 1. Quantity of each item.  
 2. Model number, including options. See "How to Build a Model Number".  
 3. Any special service required.

Note: • The  indicates that a choice is required.  
 • The absence of the  indicates that no choice is required.  
 • Alpha-numeric characters in place of  indicate that no other alternatives are available.

**HOW TO BUILD A MODEL NUMBER**

- A** Select basic model.
- B** Select armcap type.  

<b>PACBL</b>	- Black poly armcap; add \$414
<b>NAC</b>	- No armcap
<b>WAC</b>	- Wood armcaps; add \$582
- C** Select power & location.  

<b>M1</b>	- One power module; add \$248
<b>NP</b>	- No power
- D** Select glide.  

<b>GFT</b>	- Felt glides
<b>GPL</b>	- Plastic glides

 Glides adjust 7/8"
- E** Select base/leg finish.  
 Refer to the **Product Color Options** page in this price list.  
 Polished aluminum base/leg requires an upcharge. See FINISH INFORMATION.

- F** Select armcap finish.  
 Refer to the **Product Color Options** page in this price list.
- G** Select power module color.  

<b>WPBL</b>	- Black/Black power module
<b>WPSL</b>	- Silver/White power module
<b>WPWH</b>	- White/white power module
- H** Select upholstery grade/color.  
 Refer to [ki.com/fabrics](http://ki.com/fabrics).  
 • For yardage pricing, see Fabric Yardage Pricing page
- I** Select thread color.  
 Refer to the **Product Color Options** page in this price list.
- J** Select laminate table finish.  
 Refer to the **Product Color Options** page in this price list.
- K** Select 73P edge color.  
 Refer to the **Product Color Options** page in this price list.

**NOTE**

Ganging is not available on Zoetry product.  
 Zoety is offered in non-contrasting upholstery only, as standard.

**FINISH INFORMATION**

Polished Aluminum Upcharge:

Guest Chair	
ZYGNC	\$116
ZYGNB	\$116
Guest Loveseat	
ZYGNCC	\$116
ZYGNBB	\$116
ZYGNBC	\$116
ZYGNCB	\$116
Tandem Guest Loveseat	
ZYGACC	\$116
ZYGABB	\$116
ZYGABC	\$116
ZYGACB	\$116

Guest Sofa	
ZYGNCCC	\$177
ZYGNWC	\$177
ZYGNBWB	\$177
ZYGNBWC	\$177
ZYGNCW	\$177
Tandem Guest Sofa	
ZYGACC	\$177
ZYGACBC	\$177
ZYGACB	\$177
Tandem Guest Sofa with Table	
ZYGACRC	\$177
ZYGACTC	\$177
ZYGACSC	\$177
ZYGABRB	\$177
ZYGABTB	\$177
ZYGABSB	\$177
ZYGABRC	\$177
ZYGABTC	\$177
ZYGABSC	\$177
ZYGACRB	\$177
ZYGACTB	\$177
ZYGACSB	\$177

Tandem Guest Opposing Orientation Sofa	
ZYGACTCL	\$177
ZYGACTCR	\$177
ZYGACSCCL	\$177
ZYGACSCR	\$177
ZYGABTBL	\$177
ZYGABTBR	\$177
ZYGABSBL	\$177
ZYGABSBR	\$177
ZYGABTCL	\$177
ZYGABTCL	\$177
ZYGABSCL	\$177
ZYGABSCR	\$177

**FINISH INFORMATION**

**ADDITIONAL LAMINATE OFFERING**

KI offers laminates beyond those offered in the standard offering. Laminates that are currently available in the program can be viewed in KI product specification tools. Requests to add laminates to the program can be submitted via the product modification request process. Please note, requests to add laminates to the program must include the laminate manufacturers name, color/pattern number, and finish code. Edge options are limited to standard edge colors. If a matching edge is required, this will need to be requested thru the product modification request process and may be subject to additional costs. Due to varying manufacturing processes and quality issues with some laminates, some requests may be denied. Extended lead times and minimum order quantities may apply on orders containing special laminates. Contact the product modification team for questions or additional information regarding special laminates and pricing.

**SPECIAL SERVICES**

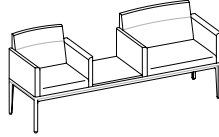
**Special Carton Marking**

With specially marked information N/C

**Shipping**  
 Ships assembled, FOB High Point, NC 27263, freight prepaid. Freight class 250.

Specifications and prices are subject to change without prior notice.



MODEL	MODEL NUMBER									Approx. Packaged Weight	Delivered Pricing	
	Basic Model	Armcap Type	Power & Location	Glide Option	Base Finish	Armcap Finish	Power Color	Uph. Color	Thread Color			
 <p>ZYGA</p> <p><b>Tandem Guest Sofa, Standard/Solid Surface Table/Bariatric</b></p> <ul style="list-style-type: none"> <li>Fully upholstered, featuring 3.5" molded foam seat cushions</li> <li>14" die-cast aluminum leg</li> <li>Extruded aluminum base</li> <li>Stitching detail on back rest</li> <li>Debris clean-out spaces</li> <li>Field replaceable components</li> <li>Separating arms</li> <li>Power located in table surface, when power specified</li> <li>Corian® Solid Surface in-line table supports personal items</li> <li>Non-contrast COM = 4.5 yds</li> </ul> <p>Overall Dimensions: • W=77.75" D=23.5" H=31.5"</p>	ZYGACSB	<input type="checkbox"/> <input type="checkbox"/> <input type="checkbox"/>	<input type="checkbox"/> <input type="checkbox"/> <input type="checkbox"/>	<input type="checkbox"/> <input type="checkbox"/>	<input type="checkbox"/> <input type="checkbox"/>	<input type="checkbox"/> <input type="checkbox"/> <input type="checkbox"/>	<input type="checkbox"/> <input type="checkbox"/>	<input type="checkbox"/> <input type="checkbox"/> <input type="checkbox"/>	<input type="checkbox"/> <input type="checkbox"/> <input type="checkbox"/>	182.50#	\$ 4681	
	<b>A</b>	<b>B</b>	<b>C</b>	<b>D</b>	<b>E</b>	<b>F</b>	<b>G</b>	<b>H</b>	<b>I</b>			

**HOW TO ORDER**

- Indicate the following information on order form:
- Quantity of each item.
  - Model number, including options. See "How To Build a Model Number".
  - Any special service required.

Note: • The  indicates that a choice is required.  
• The absence of the  indicates that no choice is required.  
• Alpha-numeric characters in place of  indicate that no other alternatives are available.

**HOW TO BUILD A MODEL NUMBER**

- A** Select basic model.
- B** Select armcap type.
 

<b>PACBL</b>	- Black poly armcap; add \$414
<b>NAC</b>	- No armcap
<b>WAC</b>	- Wood armcaps; add \$582
- C** Select power & location.
 

<b>M1</b>	- One power module; add \$248
<b>NP</b>	- No power
- D** Select glide.
 

<b>GFT</b>	- Felt glides
<b>GPL</b>	- Plastic glides

Glides adjust 7/8"
- E** Select base/leg finish. Refer to the **Product Color Options** page in this price list. Polished aluminum base/leg requires an upcharge. See FINISH INFORMATION.
- F** Select armcap finish. Refer to the **Product Color Options** page in this price list.
- G** Select power module color.
 

<b>WPBL</b>	- Black/Black power module
<b>WPSL</b>	- Silver/White power module
<b>WPWH</b>	- White/white power module
- H** Select upholstery grade/color. Refer to [ki.com/fabrics](http://ki.com/fabrics).  
• For yardage pricing, see Fabric Yardage Pricing page
- I** Select thread color. Refer to the **Product Color Options** page in this price list.

**NOTE**

Solid surface color is always Corian® Glacier White. Corian® is a DuPont brand.

Ganging is not available on Zoetry product.

Zoety is offered in non-contrasting upholstery only, as standard.

**FINISH INFORMATION**

Polished Aluminum Upcharge:

Guest Chair	
ZYGNC	\$116
ZYGNB	\$116
Guest Loveseat	
ZYGNCC	\$116
ZYGNBB	\$116
ZYGNBC	\$116
ZYGNCB	\$116
Tandem Guest Loveseat	
ZYGACC	\$116
ZYGABB	\$116
ZYGABC	\$116
ZYGACB	\$116

Guest Sofa	
ZYGNCCC	\$177
ZYGNWC	\$177
ZYGNBWB	\$177
ZYGNBWC	\$177
ZYGNCW	\$177

Tandem Guest Sofa

ZYGACCC	\$177
ZYGACBC	\$177
ZYGACB	\$177

Tandem Guest Sofa with Table

ZYGACRC	\$177
ZYGACTC	\$177
ZYGACSC	\$177
ZYGABRB	\$177
ZYGABTB	\$177
ZYGABSB	\$177
ZYGABRC	\$177
ZYGABTC	\$177
ZYGABSC	\$177
ZYGACRB	\$177
ZYGACTB	\$177
ZYGACSB	\$177

Tandem Guest Opposing Orientation Sofa

ZYGACTCL	\$177
ZYGACTCR	\$177
ZYGACSCL	\$177
ZYGACSCR	\$177
ZYGABTBL	\$177
ZYGABTBR	\$177
ZYGABSBL	\$177
ZYGABSBR	\$177
ZYGABTCL	\$177
ZYGABTCR	\$177
ZYGABSCL	\$177
ZYGABSCL	\$177

**SPECIAL SERVICES**

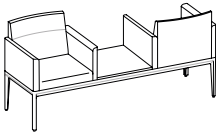
**Special Carton Marking**

With specially marked information N/C

**Shipping**  
Ships **assembled, FOB High Point, NC 27263, freight prepaid.** Freight class 250.

Specifications and prices are subject to change without prior notice.



MODEL	MODEL NUMBER											Approx. Packaged Weight	Delivered Pricing	Laminate Grade 2 add to list price	Laminate Grade 3 add to list price
	Basic Model	Arm-cap Type	Power & Location	Glide Option	Base Finish	Arm-cap Finish	Power Color	Uph. Color	Thread Color	Table Finish	Edge Color (73P)				
 <p><b>Guest Opposing Orientation Sofa, Standard/Table/Standard, Left-facing</b></p> <ul style="list-style-type: none"> <li>Fully upholstered, featuring 3.5" molded foam seat cushions</li> <li>14" die-cast aluminum leg</li> <li>Extruded aluminum base</li> <li>Stitching detail on back rest</li> <li>Debris clean-out spaces</li> <li>Field replaceable components</li> <li>Separating arms</li> <li>Power located in table surface, when power specified</li> <li>In-line table supports personal items</li> <li>Opposing orientation maximizes space utilization while creating separate lines of sight</li> <li>Non-contrast COM = 4.75 yds</li> </ul> <p>Overall Dimensions: • W=69.25" D=25.9" H=31.5"</p>	ZYGACTCL	<input type="checkbox"/>	<input type="checkbox"/>	<input type="checkbox"/>	<input type="checkbox"/>	<input type="checkbox"/>	<input type="checkbox"/>	<input type="checkbox"/>	<input type="checkbox"/>	<input type="checkbox"/>	<input type="checkbox"/>	126.00#	\$ 3989	\$ 19	\$ 120
	<p><b>Guest Opposing Orientation Sofa, Standard/Table/Standard, Right-facing</b></p> <ul style="list-style-type: none"> <li>Fully upholstered, featuring 3.5" molded foam seat cushions</li> <li>14" die-cast aluminum leg</li> <li>Extruded aluminum base</li> <li>Stitching detail on back rest</li> <li>Debris clean-out spaces</li> <li>Field replaceable components</li> <li>Separating arms</li> <li>Power located in table surface, when power specified</li> <li>In-line table supports personal items</li> <li>Opposing orientation maximizes space utilization while creating separate lines of sight</li> <li>Non-contrast COM = 4.75 yds</li> </ul> <p>Overall Dimensions: • W=69.25" D=25.9" H=31.5"</p>	ZYGACTCR	<input type="checkbox"/>	<input type="checkbox"/>	<input type="checkbox"/>	<input type="checkbox"/>	<input type="checkbox"/>	<input type="checkbox"/>	<input type="checkbox"/>	<input type="checkbox"/>	<input type="checkbox"/>	<input type="checkbox"/>	126.00#	\$ 3989	\$ 19

**A B C D E F G H I J K**

**HOW TO ORDER**

- Indicate the following information on order form:
- Quantity of each item.
  - Model number, including options. See "How To Build a Model Number".
  - Any special service required.

Note: • The  indicates that a choice is required.  
• The absence of the  indicates that no choice is required.  
• Alpha-numeric characters in place of  indicate that no other alternatives are available.

**HOW TO BUILD A MODEL NUMBER**

- A** Select basic model.
- B** Select armcap type.
 

<b>PACBL</b>	- Black poly armcap; add \$414
<b>NAC</b>	- No armcap
<b>WAC</b>	- Wood armcaps; add \$582
- C** Select power & location.
 

<b>M1</b>	- One power module; add \$248
<b>NP</b>	- No power
- D** Select glide.
 

<b>GFT</b>	- Felt glides
<b>GPL</b>	- Plastic glides

 Glides adjust 7/8"
- E** Select base/leg finish. Refer to the **Product Color Options** page in this price list. Polished aluminum base/leg requires an upcharge. See FINISH INFORMATION.

- F** Select armcap finish. Refer to the **Product Color Options** page in this price list.
- G** Select power module color.
 

<b>WPBL</b>	- Black/Black power module
<b>WPSL</b>	- Silver/White power module
<b>WPWH</b>	- White/white power module
- H** Select upholstery grade/color. Refer to **ki.com/fabrics**.  
• For yardage pricing, see Fabric Yardage Pricing page
- I** Select thread color. Refer to the **Product Color Options** page in this price list.
- J** Select laminate table finish. Refer to the **Product Color Options** page in this price list.
- K** Select 73P edge color. Refer to the **Product Color Options** page in this price list.

**NOTE**  
Ganging is not available on Zoetry product.  
  
Zoetry is offered in non-contrasting upholstery only, as standard.

**FINISH INFORMATION**

Polished Aluminum Upcharge:

Guest Chair	
ZYGNCC	\$116
ZYGNBB	\$116
ZYGNBC	\$116
ZYGNB	\$116
Guest Loveseat	
ZYGNCC	\$116
ZYGNBB	\$116
ZYGNBC	\$116
ZYGNB	\$116
Tandem Guest Loveseat	
ZYGACC	\$116
ZYGABB	\$116
ZYGABC	\$116
ZYGACB	\$116

Guest Sofa	
ZYGNCCC	\$177
ZYGNCCC	\$177
ZYGNBWB	\$177
ZYGNBWC	\$177
ZYGNBWB	\$177

Tandem Guest Sofa

ZYGACCC	\$177
ZYGACBC	\$177
ZYGACB	\$177

Tandem Guest Sofa with Table

ZYGACRC	\$177
ZYGACTC	\$177
ZYGACSC	\$177
ZYGABRB	\$177
ZYGABTB	\$177
ZYGABSB	\$177
ZYGABRC	\$177
ZYGABTC	\$177
ZYGABSC	\$177
ZYGACRB	\$177
ZYGACTB	\$177
ZYGACSB	\$177

**FINISH INFORMATION**

ADDITIONAL LAMINATE OFFERING

KI offers laminates beyond those offered in the standard offering. Laminates that are currently available in the program can be viewed in KI product specification tools. Requests to add laminates to the program can be submitted via the product modification request process. Please note, requests to add laminates to the program must include the laminate manufacturer's name, color/pattern number, and finish code. Edge options are limited to standard edge colors. If a matching edge is required, this will need to be requested thru the product modification request process and may be subject to additional costs. Due to varying manufacturing processes and quality issues with some laminates, some requests may be denied. Extended lead times and minimum order quantities may apply on orders containing special laminates. Contact the product modification team for questions or additional information regarding special laminates and pricing.

**SPECIAL SERVICES**

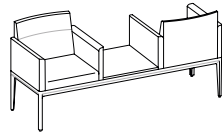
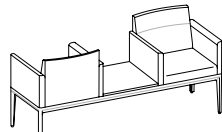
**Special Carton Marking**

With specially marked information N/C

**Shipping**  
Ships **assembled, FOB High Point, NC 27263, freight prepaid.** Freight class 250.

Specifications and prices are subject to change without prior notice.



MODEL	MODEL NUMBER									Approx. Packaged Weight	Delivered Pricing	
	Basic Model	Armcap Type	Power & Location	Glide Option	Base Finish	Armcap Finish	Power Color	Uph. Color	Thread Color			
 <p><b>Guest Opposing Orientation Sofa, Standard/Solid Surface Table/Standard, Left-facing</b></p> <ul style="list-style-type: none"> <li>Fully upholstered, featuring 3.5" molded foam seat cushions</li> <li>14" die-cast aluminum leg</li> <li>Extruded aluminum base</li> <li>Stitching detail on back rest</li> <li>Debris clean-out spaces</li> <li>Field replaceable components</li> <li>Separating arms</li> <li>Power located in table surface, when power specified</li> <li>Corian® Solide Surface in-line table supports personal items</li> <li>Opposing orientation maximizes space utilization while creating separate lines of sight</li> <li>Non-contrast COM = 4.75 yds</li> <li>Overall Dimensions: • W=69.25" D=25.9" H=31.5"</li> </ul>	ZYGACSL	□□□	□□□	□□	□□	□□□	□□	□□□	□□□	121.00#	\$ 4432	
 <p><b>Guest Opposing Orientation Sofa, Standard/Solid Surface Table/Standard, Right-facing</b></p> <ul style="list-style-type: none"> <li>Fully upholstered, featuring 3.5" molded foam seat cushions</li> <li>14" die-cast aluminum leg</li> <li>Extruded aluminum base</li> <li>Stitching detail on back rest</li> <li>Debris clean-out spaces</li> <li>Field replaceable components</li> <li>Separating arms</li> <li>Power located in table surface, when power specified</li> <li>Corian® Solide Surface in-line table supports personal items</li> <li>Opposing orientation maximizes space utilization while creating separate lines of sight</li> <li>Non-contrast COM = 4.75 yds</li> <li>Overall Dimensions: • W=69.25" D=25.9" H=31.5"</li> </ul>	ZYGACSCR	□□□	□□□	□□	□□	□□□	□□	□□□	□□□	121.00#	\$ 4432	

**HOW TO ORDER**

- Indicate the following information on order form:
- Quantity of each item.
  - Model number, including options. See "How To Build a Model Number".
  - Any special service required.

Note: • The  indicates that a choice is required.  
• The absence of the  indicates that no choice is required.  
• Alpha-numeric characters in place of  indicate that no other alternatives are available.

**HOW TO BUILD A MODEL NUMBER**

- A** Select basic model.
- B** Select armcap type.  
**PACBL** - Black poly armcap; add \$414  
**NAC** - No armcap  
**WAC** - Wood armcaps; add \$582
- C** Select power & location.  
**MT** - One power module; add \$248  
**NP** - No power
- D** Select glide.  
**GFT** - Felt glides  
**GPL** - Plastic glides  
 Glides adjust 7/8"
- E** Select base/leg finish.  
 Refer to the **Product Color Options** page in this price list.  
 Polished aluminum base/leg requires an upcharge. See FINISH INFORMATION.

- F** Select armcap finish.  
 Refer to the **Product Color Options** page in this price list.
- G** Select power module color.  
**WPBL** - Black/Black power module  
**WPSL** - Silver/White power module  
**WPWH** - White/white power module
- H** Select upholstery grade/color.  
 Refer to **ki.com/fabrics**.  
 • For yardage pricing, see Fabric Yardage Pricing page
- I** Select thread color.  
 Refer to the **Product Color Options** page in this price list.

**NOTE**  
 Solid surface color is always Corian® Glacier White.  
 Corian® is a DuPont brand.

Ganging is not available on Zoetry product.

Zoety is offered in non-contrasting upholstery only, as standard.

**FINISH INFORMATION**

Polished Aluminum Upcharge:

Guest Chair	
ZYGNC	\$116
ZYGNB	\$116
Guest Loveseat	
ZYGNCC	\$116
ZYGNBB	\$116
ZYGNBC	\$116
ZYGNCB	\$116

Tandem Guest Loveseat	
ZYGACC	\$116
ZYGABB	\$116
ZYGABC	\$116
ZYGACB	\$116

Guest Sofa	
ZYGNCCC	\$177
ZYGNWC	\$177
ZYGNBWB	\$177
ZYGNBWC	\$177
ZYGNCW	\$177

Tandem Guest Sofa	
ZYGACC	\$177
ZYGACBC	\$177
ZYGACB	\$177

Tandem Guest Sofa with Table	
ZYGACRC	\$177
ZYGACTC	\$177
ZYGACSC	\$177
ZYGABRB	\$177
ZYGABTB	\$177
ZYGABSB	\$177

ZYGABRC	\$177
ZYGABTC	\$177
ZYGABSC	\$177
ZYGACRB	\$177
ZYGACTB	\$177
ZYGACSB	\$177

Tandem Guest Opposing Orientation Sofa	
ZYGACTCL	\$177
ZYGACTCR	\$177
ZYGACSC	\$177
ZYGACSCR	\$177
ZYGABTBL	\$177
ZYGABTBR	\$177
ZYGABSBL	\$177
ZYGABSBR	\$177
ZYGABTCL	\$177
ZYGABTCR	\$177
ZYGABSCL	\$177
ZYGABSCR	\$177

**FINISH INFORMATION**

ADDITIONAL LAMINATE OFFERING

KI offers laminates beyond those offered in the standard offering. Laminates that are currently available in the program can be viewed in KI product specification tools. Requests to add laminates to the program can be submitted via the product modification request process. Please note, requests to add laminates to the program must include the laminate manufacturers name, color/pattern number, and finish code. Edge options are limited to standard edge colors. If a matching edge is required, this will need to be requested thru the product modification request process and may be subject to additional costs. Due to varying manufacturing processes and quality issues with some laminates, some requests may be denied. Extended lead times and minimum order quantities may apply on orders containing special laminates. Contact the product modification team for questions or additional information regarding special laminates and pricing.

**SPECIAL SERVICES**

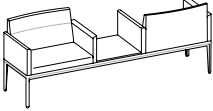
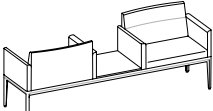
**Special Carton Marking**

With specially marked information N/C

**Shipping**  
 Ships assembled, FOB High Point, NC 27263, freight prepaid. Freight class 250.

Specifications and prices are subject to change without prior notice.



MODEL	MODEL NUMBER											Approx. Packaged Weight	Delivered Pricing	Laminate Grade 2 add to list price	Laminate Grade 3 add to list price	
	Basic Model	Arm-cap Type	Power & Location	Glide Option	Base Finish	Arm-cap Finish	Power Color	Uph. Color	Thread Color	Table Finish	Edge Color (73P)					
 <p><b>Guest Opposing Orientation Sofa, Bariatric/Table/Bariatric, Left-facing</b></p> <ul style="list-style-type: none"> <li>Fully upholstered, featuring 3.5" molded foam seat cushions</li> <li>14" die-cast aluminum leg</li> <li>Extruded aluminum base</li> <li>Stitching detail on back rest</li> <li>Debris clean-out spaces</li> <li>Field replaceable components</li> <li>Separating arms</li> <li>Power located in table surface, when power specified</li> <li>In-line table supports personal items</li> <li>Opposing orientation maximizes space utilization while creating separate lines of sight</li> <li>Non-contrast COM = 6.25 yds</li> </ul> <p>Overall Dimensions: • W=86.25" D=25.9" H=31.5"</p>	ZYGABTBL	<input type="checkbox"/>	<input type="checkbox"/>	<input type="checkbox"/>	<input type="checkbox"/>	<input type="checkbox"/>	<input type="checkbox"/>	<input type="checkbox"/>	<input type="checkbox"/>	<input type="checkbox"/>	<input type="checkbox"/>	196.50#	\$ 4648	\$ 19	\$ 120	
 <p><b>Guest Opposing Orientation Sofa, Bariatric/Table/Bariatric, Right-facing</b></p> <ul style="list-style-type: none"> <li>Fully upholstered, featuring 3.5" molded foam seat cushions</li> <li>14" die-cast aluminum leg</li> <li>Extruded aluminum base</li> <li>Stitching detail on back rest</li> <li>Debris clean-out spaces</li> <li>Field replaceable components</li> <li>Separating arms</li> <li>Power located in table surface, when power specified</li> <li>In-line table supports personal items</li> <li>Opposing orientation maximizes space utilization while creating separate lines of sight</li> <li>Non-contrast COM = 6.25 yds</li> </ul> <p>Overall Dimensions: • W=86.25" D=25.9" H=31.5"</p>	ZYGABTBR	<input type="checkbox"/>	<input type="checkbox"/>	<input type="checkbox"/>	<input type="checkbox"/>	<input type="checkbox"/>	<input type="checkbox"/>	<input type="checkbox"/>	<input type="checkbox"/>	<input type="checkbox"/>	<input type="checkbox"/>	196.50#	\$ 4648	\$ 19	\$ 120	

**A B C D E F G H I J K**

**HOW TO ORDER**

Indicate the following information on order form:  
 1. Quantity of each item.  
 2. Model number, including options. See "How To Build a Model Number".  
 3. Any special service required.

Note: • The  indicates that a choice is required.  
 • The absence of the  indicates that no choice is required.  
 • Alpha-numeric characters in place of  indicate that no other alternatives are available.

**HOW TO BUILD A MODEL NUMBER**

- A** Select basic model.
- B** Select armcap type.
 

<b>PACBL</b>	- Black poly armcap; add \$414
<b>NAC</b>	- No armcap
<b>WAC</b>	- Wood armcaps; add \$582
- C** Select power & location.
 

<b>M1</b>	- One power module; add \$248
<b>NP</b>	- No power
- D** Select glide.
 

<b>GFT</b>	- Felt glides
<b>GPL</b>	- Plastic glides

 Glides adjust 7/8"
- E** Select base/leg finish. Refer to the **Product Color Options** page in this price list. Polished aluminum base/leg requires an upcharge. See FINISH INFORMATION.

- F** Select armcap finish. Refer to the **Product Color Options** page in this price list.
- G** Select power module color.
 

<b>WPBL</b>	- Black/Black power module
<b>WPSL</b>	- Silver/White power module
<b>WPWH</b>	- White/white power module
- H** Select upholstery grade/color. Refer to [ki.com/fabrics](http://ki.com/fabrics).  
 • For yardage pricing, see Fabric Yardage Pricing page
- I** Select thread color. Refer to the **Product Color Options** page in this price list.
- J** Select laminate table finish. Refer to the **Product Color Options** page in this price list.
- K** Select 73P edge color. Refer to the **Product Color Options** page in this price list.

**NOTE**

Ganging is not available on Zoetry product.  
  
 Zoety is offered in non-contrasting upholstery only, as standard.

**FINISH INFORMATION**

Polished Aluminum Upcharge:

Guest Chair	
ZYGNC	\$116
ZYGNB	\$116
Guest Loveseat	
ZYGNCC	\$116
ZYGNBB	\$116
ZYGNBC	\$116
ZYGNCB	\$116

Tandem Guest Loveseat	
ZYGACC	\$116
ZYGABB	\$116
ZYGABC	\$116
ZYGACB	\$116

Guest Sofa	
ZYGNCCC	\$177
ZYGNWC	\$177
ZYGNBWB	\$177
ZYGNBWC	\$177
ZYGNCW	\$177

Tandem Guest Sofa	
ZYGACCC	\$177
ZYGACBC	\$177
ZYGACB	\$177

Tandem Guest Sofa with Table	
ZYGACRC	\$177
ZYGACTC	\$177
ZYGACSC	\$177
ZYGABRB	\$177
ZYGABTB	\$177
ZYGABSB	\$177
ZYGABRC	\$177
ZYGABTC	\$177
ZYGABSC	\$177
ZYGACRB	\$177
ZYGACTB	\$177

ZYGACSB	\$177
---------	-------

Tandem Guest Opposing Orientation Sofa	
ZYGACTCL	\$177
ZYGACTCR	\$177
ZYGACSL	\$177
ZYGACSCR	\$177
ZYGABTBL	\$177
ZYGABTBR	\$177
ZYGABSBL	\$177
ZYGABSBR	\$177
ZYGABTCL	\$177
ZYGABTCR	\$177
ZYGABSCL	\$177
ZYGABSCR	\$177

**FINISH INFORMATION**

**ADDITIONAL LAMINATE OFFERING**

KI offers laminates beyond those offered in the standard offering. Laminates that are currently available in the program can be viewed in KI product specification tools. Requests to add laminates to the program can be submitted via the product modification request process. Please note, requests to add laminates to the program must include the laminate manufacturers name, color/pattern number, and finish code. Edge options are limited to standard edge colors. If a matching edge is required, this will need to be requested thru the product modification request process and may be subject to additional costs. Due to varying manufacturing processes and quality issues with some laminates, some requests may be denied. Extended lead times and minimum order quantities may apply on orders containing special laminates. Contact the product modification team for questions or additional information regarding special laminates and pricing.

**SPECIAL SERVICES**

**Special Carton Marking**

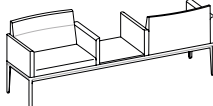
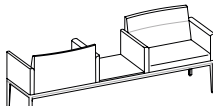
With specially marked information N/C

**Shipping**

Ships assembled, FOB High Point, NC 27263, freight prepaid. Freight class 250.

Specifications and prices are subject to change without prior notice.



MODEL	MODEL NUMBER									Approx. Packaged Weight	Delivered Pricing	
	Basic Model	Armcap Type	Power & Location	Glide Option	Base Finish	Armcap Finish	Power Color	Uph. Color	Thread Color			
 <p><b>Guest Opposing Orientation Sofa, Bariatric/Solid Surface Table/Bariatric, Left-facing</b></p> <ul style="list-style-type: none"> <li>Fully upholstered, featuring 3.5" molded foam seat cushions</li> <li>14" die-cast aluminum leg</li> <li>Extruded aluminum base</li> <li>Stitching detail on back rest</li> <li>Debris clean-out spaces</li> <li>Field replaceable components</li> <li>Separating arms</li> <li>Power located in table surface, when power specified</li> <li>Corian® Solide Surface in-line table supports personal items</li> <li>Opposing orientation maximizes space utilization while creating separate lines of sight</li> <li>Non-contrast COM = 6.25 yds</li> <li>Overall Dimensions: • W=86.25" D=25.9" H=31.5"</li> </ul>	ZYGABSBL	□□□	□□□	□□	□□	□□□	□□	□□□	□□□	212.50#	\$ 5091	
 <p><b>Guest Opposing Orientation Sofa, Bariatric/Solid Surface Table/Bariatric, Right-facing</b></p> <ul style="list-style-type: none"> <li>Fully upholstered, featuring 3.5" molded foam seat cushions</li> <li>14" die-cast aluminum leg</li> <li>Extruded aluminum base</li> <li>Stitching detail on back rest</li> <li>Debris clean-out spaces</li> <li>Field replaceable components</li> <li>Separating arms</li> <li>Power located in table surface, when power specified</li> <li>Corian® Solide Surface in-line table supports personal items</li> <li>Opposing orientation maximizes space utilization while creating separate lines of sight</li> <li>Non-contrast COM = 6.25 yds</li> <li>Overall Dimensions: • W=86.25" D=25.9" H=31.5"</li> </ul>	ZYGABSBR	□□□	□□□	□□	□□	□□□	□□	□□□	□□□	212.50#	\$ 5091	

**HOW TO ORDER**

Indicate the following information on order form:  
 1. Quantity of each item.  
 2. Model number, including options. See "How To Build a Model Number".  
 3. Any special service required.

Note: • The □ indicates that a choice is required.  
 • The absence of the □ indicates that no choice is required.  
 • Alpha-numeric characters in place of □ indicate that no other alternatives are available.

**HOW TO BUILD A MODEL NUMBER**

- A** Select basic model.
- B** Select armcap type.  

<b>PACBL</b>	- Black poly armcap; add \$414
<b>NAC</b>	- No armcap
<b>WAC</b>	- Wood armcaps; add \$582
- C** Select power & location.  

<b>M1</b>	- One power module; add \$248
<b>NP</b>	- No power
- D** Select glide.  

<b>GFT</b>	- Felt glides
<b>GPL</b>	- Plastic glides

 Glides adjust 7/8"
- E** Select base/leg finish.  
 Refer to the **Product Color Options** page in this price list.  
 Polished aluminum base/leg requires an upcharge. See FINISH INFORMATION.

- F** Select armcap finish.  
 Refer to the **Product Color Options** page in this price list.
- G** Select power module color.  

<b>WPBL</b>	- Black/Black power module
<b>WPSL</b>	- Silver/White power module
<b>WPWH</b>	- White/white power module
- H** Select upholstery grade/color.  
 Refer to **ki.com/fabrics**.  
 • For yardage pricing, see Fabric Yardage Pricing page
- I** Select thread color.  
 Refer to the **Product Color Options** page in this price list.

**NOTE**

Solid surface color is always Corian® Glacier White.  
 Corian® is a DuPont brand.  
 Ganging is not available on Zoetry product.  
 Zoety is offered in non-contrasting upholstery only, as standard.

**FINISH INFORMATION**

Polished Aluminum Upcharge:	
Guest Chair	
ZYGNC	\$116
ZYGNB	\$116
Guest Loveseat	
ZYGNCC	\$116
ZYGNBB	\$116
ZYGNBC	\$116
ZYGNCB	\$116
Tandem Guest Loveseat	
ZYGACC	\$116
ZYGABB	\$116
ZYGABC	\$116
ZYGACB	\$116
Guest Sofa	
ZYGNCCC	\$177
ZYGNCCC	\$177
ZYGNBWB	\$177
ZYGNBWC	\$177
ZYGNCWB	\$177

**Tandem Guest Sofa**

ZYGACCC	\$177
ZYGACBC	\$177
ZYGACCB	\$177
Tandem Guest Sofa with Table	
ZYGACRC	\$177
ZYGACTC	\$177
ZYGACSC	\$177
ZYGABRB	\$177
ZYGABTB	\$177
ZYGABSB	\$177
ZYGABRC	\$177
ZYGABTC	\$177
ZYGABSC	\$177
ZYGACRB	\$177
ZYGACTB	\$177
ZYGACSB	\$177

**Tandem Guest Opposing Orientation Sofa**

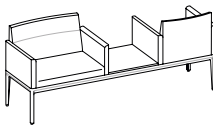
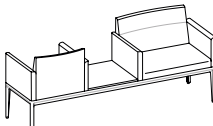
ZYGACTCL	\$177
ZYGACTCR	\$177
ZYGACSCL	\$177
ZYGACSCR	\$177
ZYGABTBL	\$177
ZYGABTBR	\$177
ZYGABSBL	\$177
ZYGABSBR	\$177
ZYGABTCL	\$177
ZYGABTCR	\$177
ZYGABSCL	\$177
ZYGABSCLR	\$177

**SPECIAL SERVICES**

**Special Carton Marking**  
 With specially marked information N/C

**Shipping**  
 Ships **assembled, FOB High Point, NC 27263, freight prepaid.** Freight class 250.  
 Specifications and prices are subject to change without prior notice.



MODEL	MODEL NUMBER											Approx. Packaged Weight	Delivered Pricing	Laminate Grade 2 add to list price	Laminate Grade 3 add to list price
	Basic Model	Arm-cap Type	Power & Location	Glide Option	Base Finish	Arm-cap Finish	Power Color	Uph. Color	Thread Color	Table Finish	Edge Color (73P)				
 ZYGA <b>Guest Opposing Orientation Sofa, Bariatric/Table/Standard, Left-facing</b> • Fully upholstered, featuring 3.5" molded foam seat cushions • 14" die-cast aluminum leg • Extruded aluminum base • Stitching detail on back rest • Debris clean-out spaces • Field replaceable components • Separating arms • Power located in table surface, when power specified • In-line table supports personal items • Opposing orientation maximizes space utilization while creating separate lines of sight • Non-contrast COM = 4.5 yds Overall Dimensions: • W=77.75" D=25.9" H=31.5"	ZYGABTCL	<input type="checkbox"/>	<input type="checkbox"/>	<input type="checkbox"/>	<input type="checkbox"/>	<input type="checkbox"/>	<input type="checkbox"/>	<input type="checkbox"/>	<input type="checkbox"/>	<input type="checkbox"/>	<input type="checkbox"/>	169.00#	\$ 4349	\$ 19	\$ 120
	 ZYGA <b>Guest Opposing Orientation Sofa, Bariatric/Table/Standard, Right-facing</b> • Fully upholstered, featuring 3.5" molded foam seat cushions • 14" die-cast aluminum leg • Extruded aluminum base • Stitching detail on back rest • Debris clean-out spaces • Field replaceable components • Separating arms • Power located in table surface, when power specified • In-line table supports personal items • Opposing orientation maximizes space utilization while creating separate lines of sight • Non-contrast COM = 4.5 yds Overall Dimensions: • W=77.75" D=25.9" H=31.5"	ZYGABTCR	<input type="checkbox"/>	<input type="checkbox"/>	<input type="checkbox"/>	<input type="checkbox"/>	<input type="checkbox"/>	<input type="checkbox"/>	<input type="checkbox"/>	<input type="checkbox"/>	<input type="checkbox"/>	<input type="checkbox"/>	169.00#	\$ 4349	\$ 19

**A B C D E F G H I J K**

**HOW TO ORDER**

Indicate the following information on order form:  
 1. Quantity of each item.  
 2. Model number, including options. See "How To Build a Model Number".  
 3. Any special service required.

Note: • The  indicates that a choice is required.  
 • The absence of the  indicates that no choice is required.  
 • Alpha-numeric characters in place of  indicate that no other alternatives are available.

**HOW TO BUILD A MODEL NUMBER**

- A** Select basic model.
- B** Select armcap type.  

<b>PACBL</b>	- Black poly armcap; add \$414
<b>NAC</b>	- No armcap
<b>WAC</b>	- Wood armcaps; add \$582
- C** Select power & location.  

<b>M1</b>	- One power module; add \$248
<b>NP</b>	- No power
- D** Select glide.  

<b>GFT</b>	- Felt glides
<b>GPL</b>	- Plastic glides

 Glides adjust 7/8"
- E** Select base/leg finish.  
 Refer to the **Product Color Options** page in this price list.  
 Polished aluminum base/leg requires an upcharge. See FINISH INFORMATION.

- F** Select armcap finish.  
 Refer to the **Product Color Options** page in this price list.
- G** Select power module color.  

<b>WPBL</b>	- Black/Black power module
<b>WPSL</b>	- Silver/White power module
<b>WPWH</b>	- White/white power module
- H** Select upholstery grade/color.  
 Refer to [ki.com/fabrics](http://ki.com/fabrics).  
 • For yardage pricing, see Fabric Yardage Pricing page
- I** Select thread color.  
 Refer to the **Product Color Options** page in this price list.
- J** Select laminate table finish.  
 Refer to the **Product Color Options** page in this price list.
- K** Select 73P edge color.  
 Refer to the **Product Color Options** page in this price list.

**NOTE**

Ganging is not available on Zoetry product.  
  
 Zoetry is offered in non-contrasting upholstery only, as standard.

**FINISH INFORMATION**

Polished Aluminum Upcharge:

Guest Chair	
ZYGNC	\$116
ZYGNB	\$116
Guest Loveseat	
ZYGNCC	\$116
ZYGNBB	\$116
ZYGNBC	\$116
ZYGNCB	\$116
Tandem Guest Loveseat	
ZYGACC	\$116
ZYGABB	\$116
ZYGABC	\$116
ZYGACB	\$116

Guest Sofa	
ZYGNCCC	\$177
ZYGNWC	\$177
ZYGNWB	\$177
ZYGNBWC	\$177
ZYGNWCW	\$177
Tandem Guest Sofa	
ZYGACC	\$177
ZYGACBC	\$177
ZYGACB	\$177
Tandem Guest Sofa with Table	
ZYGACRC	\$177
ZYGACTC	\$177
ZYGACSC	\$177
ZYGABRB	\$177
ZYGABTB	\$177
ZYGABSB	\$177
ZYGABRC	\$177
ZYGABTC	\$177
ZYGABSC	\$177
ZYGACRB	\$177
ZYGACTB	\$177
ZYGACSB	\$177

**Tandem Guest Opposing Orientation Sofa**

ZYGACTCL	\$177
ZYGACTCR	\$177
ZYGACSCL	\$177
ZYGACSCR	\$177
ZYGABTBL	\$177
ZYGABTBR	\$177
ZYGABSBL	\$177
ZYGABSBR	\$177
ZYGABTCL	\$177
ZYGABTCR	\$177
ZYGABSCL	\$177
ZYGABSCL	\$177

**FINISH INFORMATION**

**ADDITIONAL LAMINATE OFFERING**

KI offers laminates beyond those offered in the standard offering. Laminates that are currently available in the program can be viewed in KI product specification tools. Requests to add laminates to the program can be submitted via the product modification request process. Please note, requests to add laminates to the program must include the laminate manufacturers name, color/pattern number, and finish code. Edge options are limited to standard edge colors. If a matching edge is required, this will need to be requested thru the product modification request process and may be subject to additional costs. Due to varying manufacturing processes and quality issues with some laminates, some requests may be denied. Extended lead times and minimum order quantities may apply on orders containing special laminates. Contact the product modification team for questions or additional information regarding special laminates and pricing.

**SPECIAL SERVICES**

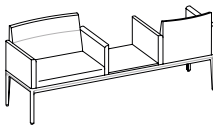
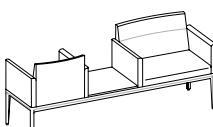
**Special Carton Marking**

With specially marked information N/C

**Shipping**  
 Ships assembled, FOB High Point, NC 27263, freight prepaid. Freight class 250.

Specifications and prices are subject to change without prior notice.



MODEL	MODEL NUMBER									Approx. Packaged Weight	Delivered Pricing	
	Basic Model	Armcap Type	Power & Location	Glide Option	Base Finish	Armcap Finish	Power Color	Uph. Color	Thread Color			
 <p><b>Guest Opposing Orientation Sofa, Bariatric/Solid Surface Table/Standard, Left-facing</b></p> <ul style="list-style-type: none"> <li>Fully upholstered, featuring 3.5" molded foam seat cushions</li> <li>14" die-cast aluminum leg</li> <li>Extruded aluminum base</li> <li>Stitching detail on back rest</li> <li>Debris clean-out spaces</li> <li>Field replaceable components</li> <li>Separating arms</li> <li>Power located in table surface, when power specified</li> <li>Corian® Solide Surface in-line table supports personal items</li> <li>Opposing orientation maximizes space utilization while creating separate lines of sight</li> <li>Non-contrast COM = 4.5 yds</li> <li>Overall Dimensions: • W=77.75" D=25.9" H=31.5"</li> </ul>	ZYGABSCL	□□□	□□□	□□	□□	□□□	□□	□□□	□□□	203.00#	\$ 4681	
 <p><b>Guest Opposing Orientation Sofa, Bariatric/Solid Surface Table/Standard, Right-facing</b></p> <ul style="list-style-type: none"> <li>Fully upholstered, featuring 3.5" molded foam seat cushions</li> <li>14" die-cast aluminum leg</li> <li>Extruded aluminum base</li> <li>Stitching detail on back rest</li> <li>Debris clean-out spaces</li> <li>Field replaceable components</li> <li>Separating arms</li> <li>Power located in table surface, when power specified</li> <li>Corian® Solide Surface in-line table supports personal items</li> <li>Opposing orientation maximizes space utilization while creating separate lines of sight</li> <li>Non-contrast COM = 4.5 yds</li> <li>Overall Dimensions: • W=77.75" D=25.9" H=31.5"</li> </ul>	ZYGABSCR	□□□	□□□	□□	□□	□□□	□□	□□□	□□□	203.00#	\$ 4681	

**A B C D E F G H I**

**HOW TO ORDER**

- Indicate the following information on order form:
- Quantity of each item.
  - Model number, including options. See "How To Build a Model Number".
  - Any special service required.

Note: • The □ indicates that a choice is required.  
• The absence of the □ indicates that no choice is required.  
• Alpha-numeric characters in place of □ indicate that no other alternatives are available.

**HOW TO BUILD A MODEL NUMBER**

- A** Select basic model.
- B** Select armcap type.
  - PACBL** - Black poly armcap; add \$414
  - NAC** - No armcap
  - WAC** - Wood armcaps; add \$582
- C** Select power & location.
  - M1** - One power module; add \$248
  - NP** - No power
- D** Select glide.
  - GFT** - Felt glides
  - GPL** - Plastic glides
  - Glides adjust 7/8"
- E** Select base/leg finish. Refer to the **Product Color Options** page in this price list. Polished aluminum base/leg requires an upcharge. See FINISH INFORMATION.

- F** Select armcap finish. Refer to the **Product Color Options** page in this price list.
- G** Select power module color.
  - WPBL** - Black/Black power module
  - WPSL** - Silver/White power module
  - WPWH** - White/white power module
- H** Select upholstery grade/color. Refer to **ki.com/fabrics**.
  - For yardage pricing, see Fabric Yardage Pricing page
- I** Select thread color. Refer to the **Product Color Options** page in this price list.

**NOTE**

Solid surface color is always Corian® Glacier White. Corian® is a DuPont brand.  
Ganging is not available on Zoetry product.  
Zoety is offered in non-contrasting upholstery only, as standard.

**FINISH INFORMATION**

Polished Aluminum Upcharge:

Guest Chair	
ZYGNC	\$116
ZYGNB	\$116
Guest Loveseat	
ZYGNCC	\$116
ZYGNBB	\$116
ZYGNBC	\$116
ZYGNCB	\$116
Tandem Guest Loveseat	
ZYGACC	\$116
ZYGABB	\$116
ZYGABC	\$116
ZYGACB	\$116
Guest Sofa	
ZYGNCCC	\$177
ZYGNCCC	\$177
ZYGNBWB	\$177
ZYGNBWC	\$177
ZYGNCWB	\$177

**Tandem Guest Sofa**

ZYGACCC	\$177
ZYGACBC	\$177
ZYGACB	\$177

**Tandem Guest Sofa with Table**

ZYGACRC	\$177
ZYGACTC	\$177
ZYGACSC	\$177
ZYGABRB	\$177
ZYGABTB	\$177
ZYGABSB	\$177
ZYGABRC	\$177
ZYGABTC	\$177
ZYGABSC	\$177
ZYGACRB	\$177
ZYGACTB	\$177
ZYGACSB	\$177

**Tandem Guest Opposing Orientation Sofa**

ZYGACTCL	\$177
ZYGACTCR	\$177
ZYGACSCL	\$177
ZYGACSCR	\$177
ZYGABTBL	\$177
ZYGABTBR	\$177
ZYGABSBL	\$177
ZYGABSBR	\$177
ZYGABTCL	\$177
ZYGABTCR	\$177
ZYGABSCL	\$177
ZYGABSCR	\$177

**SPECIAL SERVICES**

**Special Carton Marking**

With specially marked information N/C

**Shipping**

Ships assembled, FOB High Point, NC 27263, freight prepaid. Freight class 250.

Specifications and prices are subject to change without prior notice.

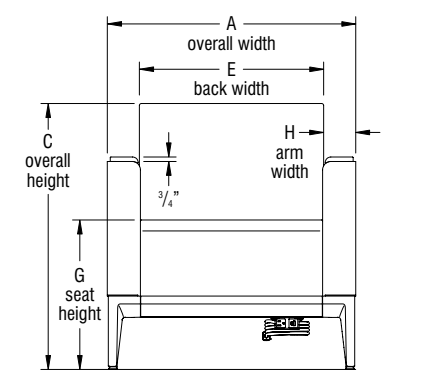


Zoetry Lounge Overall Dimensions										
Model/Feature	A Overall Width	B Overall Depth	C Overall Height	D Arm Height	E Back Width	F Seat Depth	G Seat Height	H Arm Width	I Table Height Above Finish Floor	J Table Height Above Seat Frame
Standard Lounges	Reference Appropriate Chart Below	28"	32"	25"	22"	20 1/2"	18"	4"	N/A	N/A
Bariatric Lounges	Reference Appropriate Chart Below	28"	32"	25"	30"	20 1/2"	18"	4"	N/A	N/A
Lounge In-Line Flat Tables	22"	27 7/8"	14 1/2"	N/A	N/A	N/A	N/A	N/A	9 5/8"	3/4"
Lounge In-Line Raised Tables	22"	27 7/8"	16 1/8"	N/A	N/A	N/A	N/A	N/A	16 1/8"	7/4"
Lounge In-Line Working-Height Tables	22"	27 7/8"	32"	N/A	N/A	N/A	N/A	N/A	24 7/8"	16"

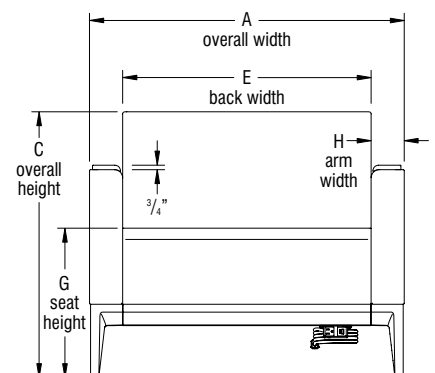
Zoetry Standard Lounge Overall Width	
Model	A Overall Width
ZYLNCC	52"
ZYLACC	56"
ZYLNCCC	74"
ZYLACCC	82"
ZYLACRC	82"
ZYLACTC	82"
ZYLACSC	82"
ZYLNWC	74"
ZYLACTCL	82"
ZYLACSCCL	82"
ZYLACTCR	82"
ZYLACSCR	82"

Zoetry Bariatric Lounge Seating Overall Width	
Model	A Overall Width
ZYLNBB	68"
ZYLABB	72"
ZYLABTB	98"
ZYLABSB	98"
ZYLABRB	98"
ZYLNWB	90"
ZYLABTBL	98"
ZYLABSBL	98"
ZYLABTBR	98"
ZYLABSBR	98"

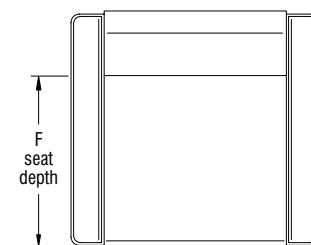
Zoetry Standard/Bariatric Lounge Overall Width	
Model	A Overall Width
ZYLNBC	60"
ZYLNCCB	60"
ZYLACB	64"
ZYLACBC	64"
ZYLACBCB	98"
ZYLABTC	90"
ZYLABSC	90"
ZYLABRC	90"
ZYLNWC	82"
ZYLACTB	90"
ZYLACSB	90"
ZYLACRB	90"
ZYLNWCB	82"
ZYLACTCL	90"
ZYLACTCR	90"
ZYLACSCR	90"



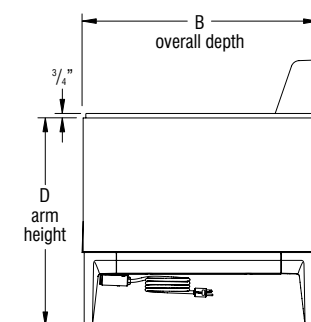
Standard Lounge (front view)



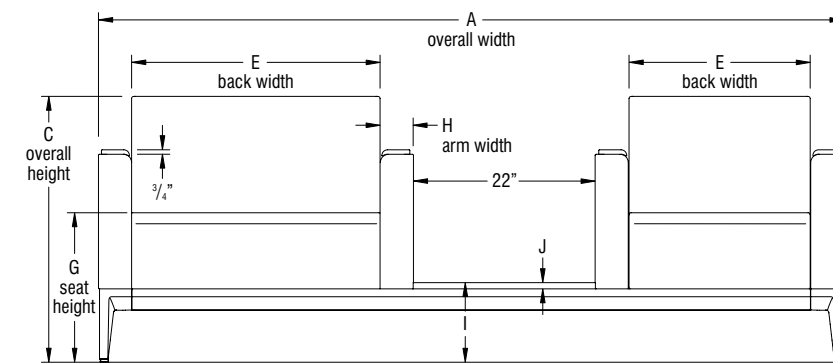
Bariatric Lounge (front view)



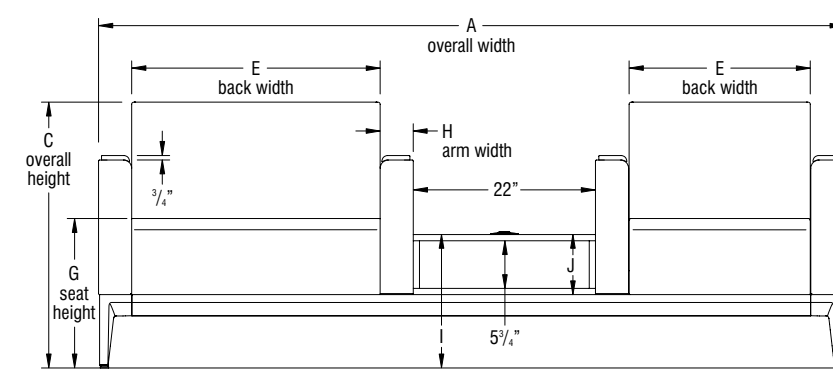
(top view)



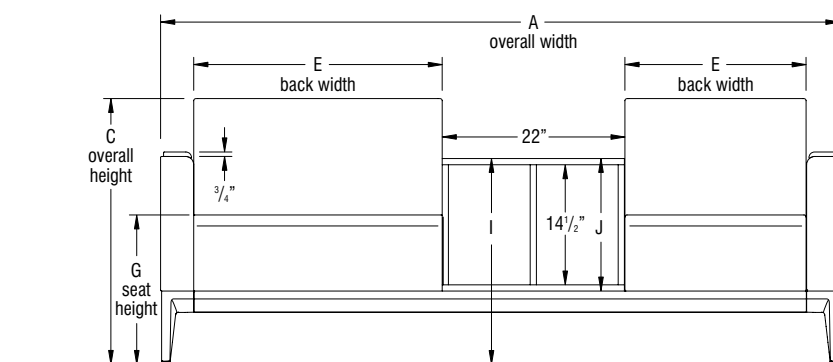
(side view)



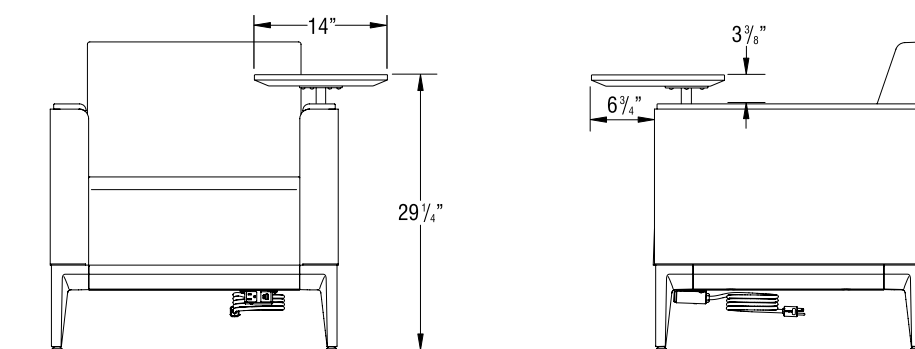
Standard & Bariatric Lounge with Flat Table (front view)



Standard & Bariatric Lounge with Raised Table (front view)



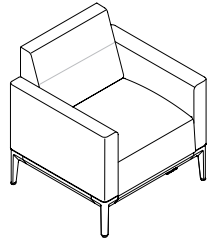
Standard & Bariatric Lounge with Working-Height Table (front view)



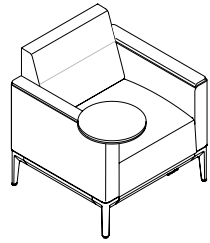
(front view)

(side view)

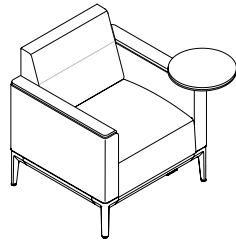
Zoetry Lounge Seating with Swivel Tablet



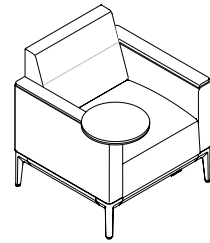
Lounge Chair  
ZYLNC



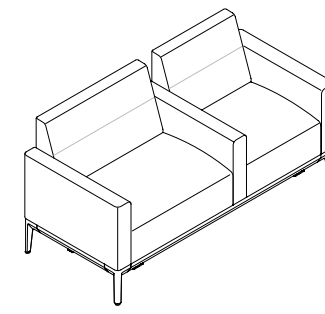
Lounge Chair with  
Removable Swivel Tablet  
(left-side facing)  
ZYLNCTLRA



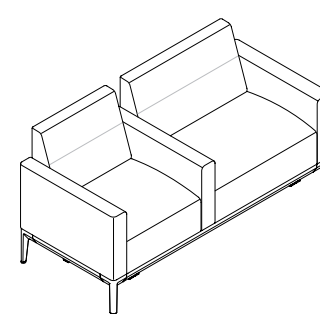
Lounge Chair with  
Removable Swivel Tablet  
(right-side facing)  
ZYLNCTRRA



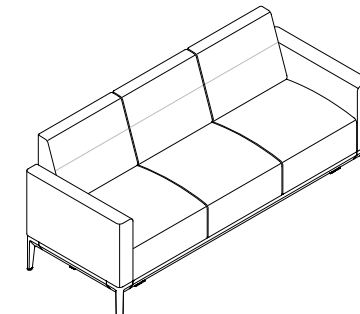
Lounge Chair with  
Non-Removable Swivel Tablet  
(left-side facing)  
ZYLNCTLNR



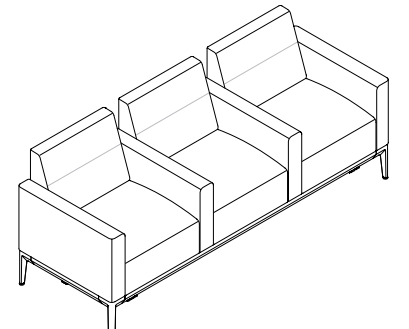
Tandem Lounge Loveseat  
Bariatric Left/Standard Right  
ZYLABC



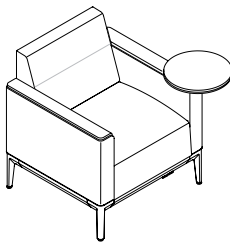
Tandem Lounge Loveseat  
Standard Left/Bariatric Right  
ZYLACB



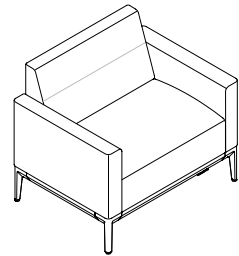
Lounge Sofa  
ZYLNCCC



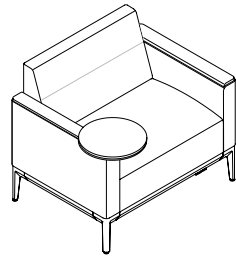
Tandem Lounge Sofa  
ZYLACCC



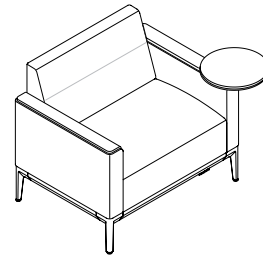
Lounge Chair with  
Non-Removable Swivel Tablet  
(right-side facing)  
ZYLNCTRNR



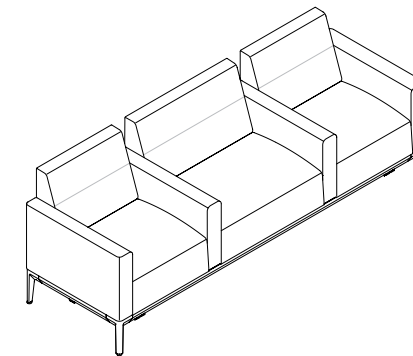
Bariatric Lounge Chair  
ZYLNBB



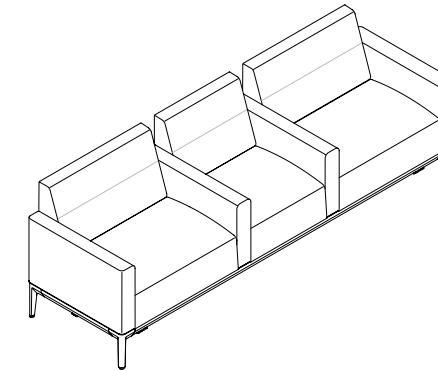
Bariatric Lounge Chair with  
Removable Swivel Tablet  
(left-side facing)  
ZYLNBTLRA



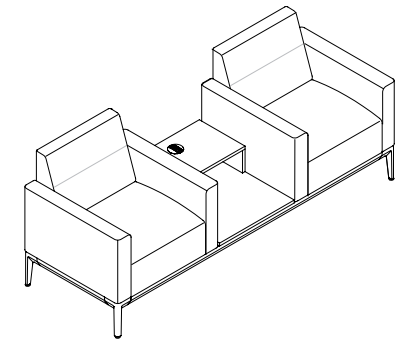
Bariatric Lounge Chair with  
Removable Swivel Tablet  
(right-side facing)  
ZYLNBTTRA



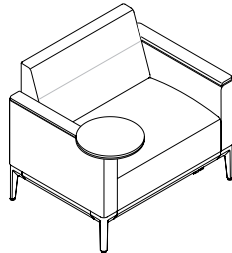
Tandem Lounge Sofa  
Standard/Bariatric/Standard  
ZYLACBC



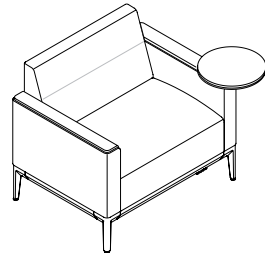
Tandem Lounge Sofa  
Bariatric/Standard/Bariatric  
ZYLACBB



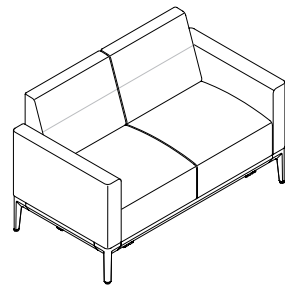
Tandem Lounge Sofa  
Standard/Raised Table/Standard  
ZYLACRC



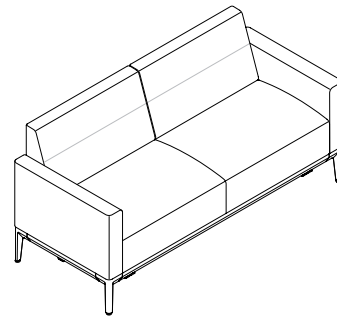
Bariatric Lounge Chair with  
Non-Removable Swivel Tablet  
(left-side facing)  
ZYLNBTLNR



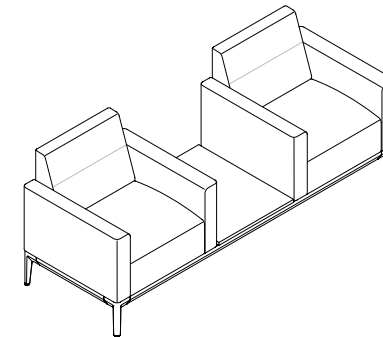
Bariatric Lounge Chair with  
Non-Removable Swivel Tablet  
(right-side facing)  
ZYLNBTNR



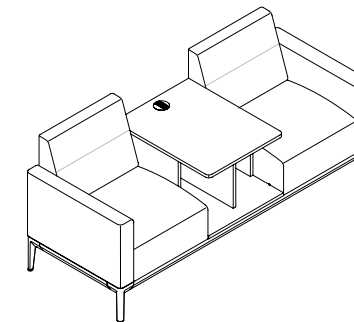
Lounge Loveseat  
ZYLNCC



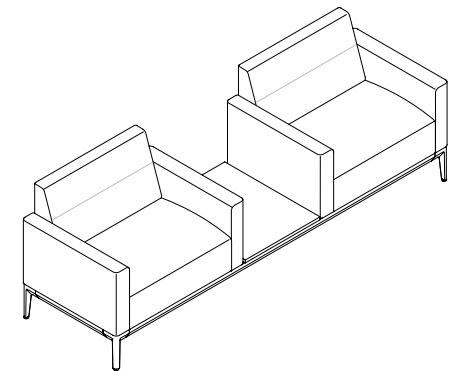
Bariatric Lounge Loveseat  
ZYLNBB



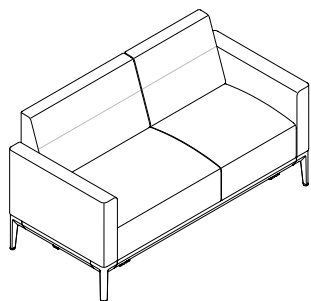
Tandem Lounge  
Standard/Flat Table/Standard  
ZYLACTC  
ZYLACSC



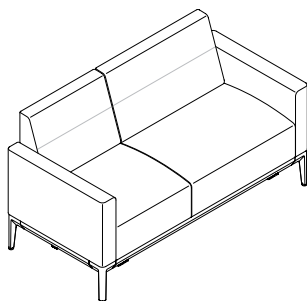
Lounge Sofa  
Standard/Working-Height Table/Standard  
ZYLNWC



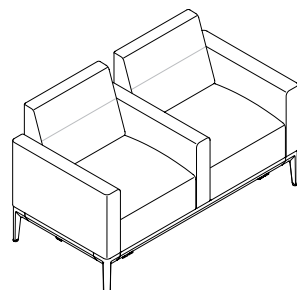
Tandem Lounge Sofa  
Bariatric/Table/Bariatric  
ZYLABTB  
ZYLABSB



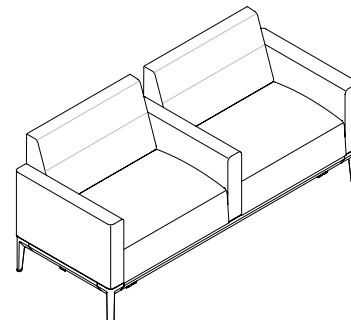
Lounge Loveseat  
Bariatric Left/Standard Right  
ZYLNBC



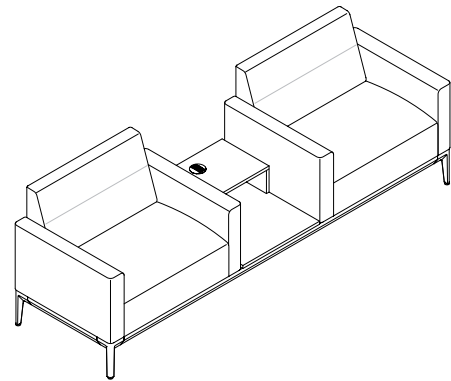
Lounge Loveseat  
Standard Left/Bariatric Right  
ZYLNBB



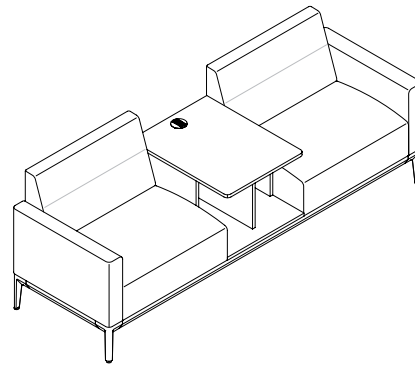
Tandem Lounge Loveseat  
ZYLACC



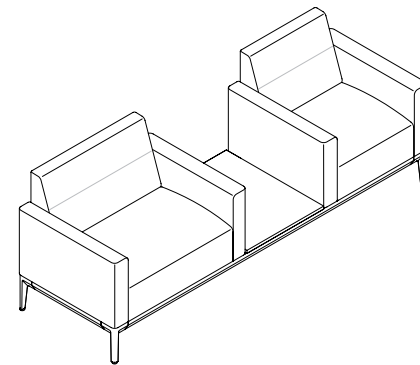
Tandem Bariatric Lounge Loveseat  
ZYLABB



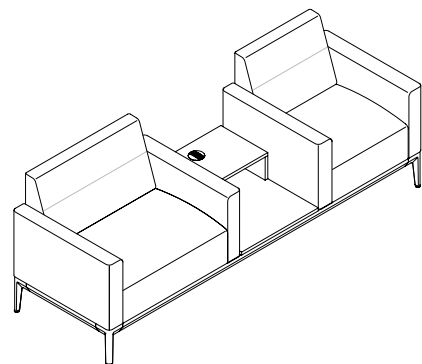
Tandem Lounge Sofa  
Bariatric/Raised Table/Bariatric  
ZYLABRB



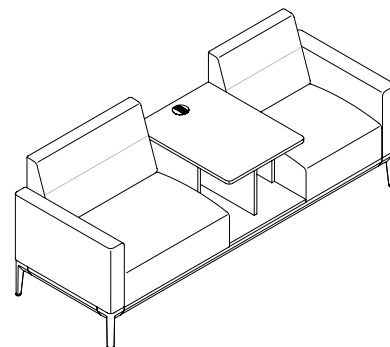
Lounge Sofa  
Bariatric/Working-Height Table/Bariatric  
ZYLNBWB



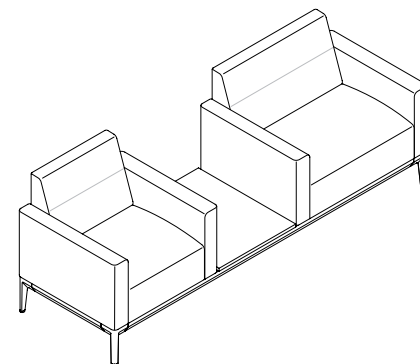
Tandem Lounge Sofa  
Bariatric/Table/Standard  
ZYLABTC  
ZYLABSC



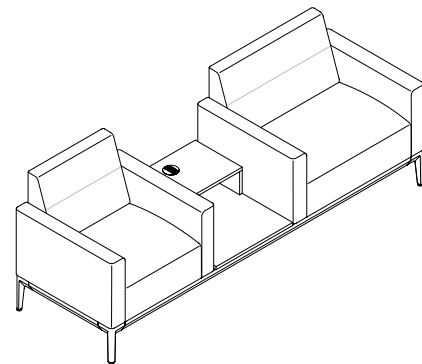
Tandem Lounge Sofa  
Bariatric/Raised Table/Standard  
ZYLABRC



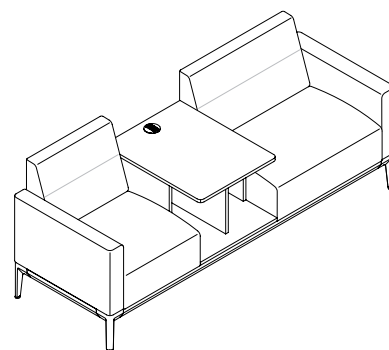
Lounge Sofa  
Bariatric/Working-Height Table/Standard  
ZYLNBWC



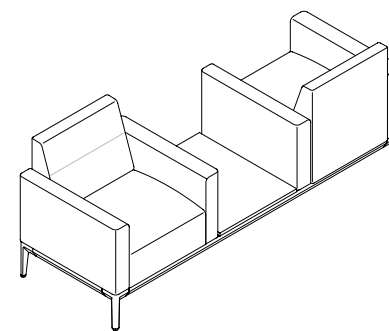
Tandem Lounge Sofa Standard/Table/Bariatric  
ZYLACTB  
ZYLACSB



Tandem Lounge Sofa  
Standard/Raised Table/Bariatric  
ZYLACRB





Lounge Sofa  
Standard/Working-Height Table/Bariatric  
ZYLNCWB



Lounge Opposing Orientation  
Standard/Table/Standard (Left)  
ZYLACTCL  
ZYLACSL



MODEL	MODEL NUMBER									Approx. Packaged Weight	Delivered Pricing
	Basic Model	Armcap Type	Power & Location	Glide Option	Base Finish	Armcap Finish	Power Color	Upholstery Color	Thread Color		
 <p><b>Lounge Chair</b></p> <ul style="list-style-type: none"> <li>Fully upholstered, featuring 6" molded foam seat cushions</li> <li>8.5" die-cast aluminum leg</li> <li>Extruded aluminum base</li> <li>Stitching detail on back rest</li> <li>Debris clean-out spaces</li> <li>Field replaceable components</li> <li>Non-contrast COM = 4 yds</li> </ul> <p>Overall Dimensions: • W=30" D=28" H=32"</p>	ZYLNC	<input type="checkbox"/>	<input type="checkbox"/>	<input type="checkbox"/>	<input type="checkbox"/>	<input type="checkbox"/>	<input type="checkbox"/>	<input type="checkbox"/>	<input type="checkbox"/>	108.00#	\$ 2648
ZYLN											
 <p><b>Lounge Chair, Bariatric</b></p> <ul style="list-style-type: none"> <li>Fully upholstered, featuring 6" foam seat cushions</li> <li>8.5" die-cast aluminum leg</li> <li>Extruded aluminum base</li> <li>Stitching detail on back rest</li> <li>Debris clean-out spaces</li> <li>Field replaceable components</li> <li>Non-contrast COM = 5.5 yds</li> </ul> <p>Overall Dimensions: • W=38" D=28" H=32"</p>	ZYLNB	<input type="checkbox"/>	<input type="checkbox"/>	<input type="checkbox"/>	<input type="checkbox"/>	<input type="checkbox"/>	<input type="checkbox"/>	<input type="checkbox"/>	<input type="checkbox"/>	126.50#	\$ 2868
ZYLN											

**A B C D E F G H I**

**HOW TO ORDER**

- Indicate the following information on order form:
- Quantity of each item.
  - Model number, including options. See "How To Build a Model Number".
  - Any special service required.

Note: • The  indicates that a choice is required.  
• The absence of the  indicates that no choice is required.  
• Alpha-numeric characters in place of  indicate that no other alternatives are available.

**HOW TO BUILD A MODEL NUMBER**

- A** Select basic model.
- B** Select armcap type.
  - PACBL** - Black poly armcap; add \$223
  - NAC** - No armcap
  - WAC** - Wood armcaps; add \$295
- C** Select power & location.
  - M1L** - One power module, left-facing; add \$267
  - M1R** - One power module, right-facing; add \$267
  - NP** - No power
- D** Select glide.
  - GFT** - Felt glides
  - GPL** - Plastic glides

Glides adjust 7/8"
- E** Select base/leg finish. Refer to the **Product Color Options** page in this price list. Polished aluminum base/leg requires an

- upcharge. See FINISH INFORMATION.
- F** Select armcap finish. Refer to the **Product Color Options** page in this price list.
- G** Select power module color.
  - WPBL** - Black/Black power module
  - WPWH** - White/white power module
- H** Select upholstery grade/color. Refer to [ki.com/fabrics](http://ki.com/fabrics).
  - For yardage pricing, see Fabric Yardage Pricing page
- I** Select thread color. Refer to the **Product Color Options** page in this price list.

**NOTE**  
Ganging is not available on Zoetry product.  
  
Zoety is offered in non-contrasting upholstery only, as standard.

**FINISH INFORMATION**

Polished Aluminum Upcharge:		Tandem Lounge Sofa	
Lounge Chair		ZYLACCC	\$320
ZYLNC	\$160	ZYLACBC	\$320
ZYLNB	\$160	ZYLACB	\$320
Lounge Loveseat		Tandem Lounge Sofa with Table	
ZYLNCC	\$200	ZYLACRC	\$320
ZYLNBB	\$200	ZYLACTC	\$320
ZYLNBC	\$200	ZYLACSC	\$320
ZYLNCB	\$200	ZYLABRB	\$320
Tandem Lounge Loveseat		ZYLABTB	\$320
ZYLACC	\$200	ZYLABSB	\$320
ZYLABB	\$200	ZYLABRC	\$320
ZYLABC	\$200	ZYLABTC	\$320
ZYLACB	\$200	ZYLABSC	\$320
Lounge Sofa		ZYLACRB	\$320
ZYLNCCC	\$320	ZYLACTB	\$320
ZYLNCCW	\$320	ZYLACSB	\$320
ZYLNWBW	\$320	Tandem Lounge Opposing Orientation Sofa	
ZYLNWC	\$320	ZYLACTCL	\$320
ZYLNWBW	\$320	ZYLACTCR	\$320
ZYLNWCW	\$320	ZYLACSCL	\$320
		ZYLACSCR	\$320
		ZYLACTBL	\$320

**SPECIAL SERVICES**

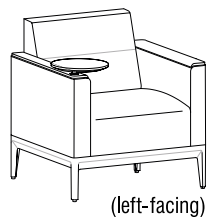
**Special Carton Marking**  
With specially marked information N/C

**Shipping**  
Ships assembled, FOB High Point, NC 27263, freight prepaid. Freight class 250.

Specifications and prices are subject to change without prior notice.







ZYLN

**Lounge Chair with Non-Removable Swivel Tablet**

- 14" round, laminate tablet with knife edge affixed to either left-facing arm (right-handed) or right-facing arm (left-handed)
  - Tablet arm swivels and cannot be removed
  - Fully upholstered, featuring 6" molded foam seat cushions
  - 8.5" die-cast aluminum leg with an extruded aluminum base
  - Stitching detail on back rest
  - Debris clean-out spaces
  - Field replaceable components
  - Non-contrast COM = 4 yds
- Overall Dimensions:  
• W=38.5" D=35" H=32"

Features	MODEL NUMBER											Approx. Packaged Weight	Delivered Pricing	Laminate Grade 2 add to list price	Laminate Grade 3 add to list price	
	Basic Model	Arm-cap Type	Power & Location	Glide Option	Base Finish	Arm-cap Finish	Power Color	Upholstery Color	Thread Color	Tablet Finish	Edge Color (KN)					
Left-facing	ZYLNCTLRN	<input type="checkbox"/> <input type="checkbox"/>	<input type="checkbox"/> <input type="checkbox"/>	<input type="checkbox"/>	<input type="checkbox"/>	<input type="checkbox"/> <input type="checkbox"/>	<input type="checkbox"/>	<input type="checkbox"/> <input type="checkbox"/>	<input type="checkbox"/>	<input type="checkbox"/>	<input type="checkbox"/>		119.00#	\$ 3224	\$ 19	\$ 120
Right-facing	ZYLNCTRNR	<input type="checkbox"/> <input type="checkbox"/>	<input type="checkbox"/> <input type="checkbox"/>	<input type="checkbox"/>	<input type="checkbox"/>	<input type="checkbox"/> <input type="checkbox"/>	<input type="checkbox"/>	<input type="checkbox"/> <input type="checkbox"/>	<input type="checkbox"/>	<input type="checkbox"/>	<input type="checkbox"/>		119.00#	3224	19	120

**A B C D E F G H I J K**

**HOW TO ORDER**

- Indicate the following information on order form:
1. Quantity of each item.
  2. Model number, including options. See "How To Build a Model Number".
  3. Any special service required.

Note: • The  indicates that a choice is required.  
• The absence of the  indicates that no choice is required.  
• Alpha-numeric characters in place of  indicate that no other alternatives are available.

**HOW TO BUILD A MODEL NUMBER**

- A** Select basic model.
  - NAC** - No armcap
  - WAC** - Wood armcaps; add \$310
- C** Select power & location.
  - MTL** - One power module, left-facing; add \$267
  - MTR** - One power module, right-facing; add \$267
  - NP** - No power
- D** Select glide.
  - GFT** - Felt glides
  - GPL** - Plastic glides  
Glides adjust 7/8"
- E** Select base/leg finish. Refer to the **Product Color Options** page in this price list.

- F** Select armcap finish. Refer to the **Product Color Options** page in this price list.
- G** Select power module color.
  - WPBL** - Black/Black power module
  - WPWH** - White/white power module
- H** Select upholstery grade/color. Refer to **ki.com/fabrics**.  
• For yardage pricing, see Fabric Yardage Pricing page
- I** Select thread color. Refer to the **Product Color Options** page in this price list.
- J** Select tablet finish. Refer to the **Product Color Options** page in this price list.
- K** Select KN edge color. Refer to the **Product Color Options** page in this price list.

**NOTE**

Ganging is not available on Zoetry product.  
  
Zoety is offered in non-contrasting upholstery only, as standard.

**FINISH INFORMATION**

Polished Aluminum Upcharge:

Lounge Chair	
ZYLNCC	\$160
ZYLNBB	\$160
ZYLNCTLRRA	\$160
ZYLNCTRRRA	\$160
ZYLNBTLRRA	\$160
ZYLNBTRRRA	\$160
Lounge Loveseat	
ZYLNCC	\$200
ZYLNBB	\$200
ZYLNBC	\$200
ZYLNCCB	\$200

Tandem Lounge Loveseat	
ZYLACC	\$200
ZYLABB	\$200
ZYLABC	\$200
ZYLACB	\$200

Lounge Sofa	
ZYLNCCC	\$320
ZYLNCCWC	\$320
ZYLNBBWB	\$320
ZYLNBBWC	\$320
ZYLNCCWB	\$320

Tandem Lounge Sofa	
ZYLACCC	\$320
ZYLACBC	\$320
ZYLACB	\$320

Tandem Lounge Sofa with Table	
ZYLACRC	\$320
ZYLACTC	\$320
ZYLACSC	\$320
ZYLABRB	\$320

ZYLABTB	\$320
ZYLABSB	\$320
ZYLABRC	\$320
ZYLABTC	\$320
ZYLABSC	\$320
ZYLACRB	\$320
ZYLACTB	\$320
ZYLACSB	\$320
Tandem Lounge Opposing Orientation Sofa	
ZYLACTCL	\$320
ZYLACTCR	\$320
ZYLACSCCL	\$320
ZYLACSCR	\$320
ZYLABTBL	\$320
ZYLABTBR	\$320
ZYLABSBL	\$320
ZYLABSBR	\$320
ZYLABTCL	\$320
ZYLABTCR	\$320
ZYLABSCL	\$320
ZYLABSCR	\$320

**FINISH INFORMATION**

**ADDITIONAL LAMINATE OFFERING**

KI offers laminates beyond those offered in the standard offering. Laminates that are currently available in the program can be viewed in KI product specification tools. Requests to add laminates to the program can be submitted via the product modification request process. Please note, requests to add laminates to the program must include the laminate manufacturers name, color/pattern number, and finish code. Edge options are limited to standard edge colors. If a matching edge is required, this will need to be requested thru the product modification request process and may be subject to additional costs. Due to varying manufacturing processes and quality issues with some laminates, some requests may be denied. Extended lead times and minimum order quantities may apply on orders containing special laminates. Contact the product modification team for questions or additional information regarding special laminates and pricing.

**SPECIAL SERVICES**

**Special Carton Marking**

With specially marked information N/C

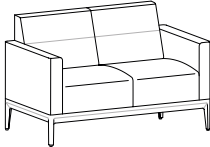
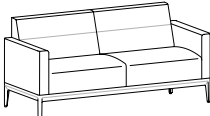
**Shipping**

Ships assembled, FOB High Point, NC 27263, freight prepaid. Freight class 250.

Specifications and prices are subject to change without prior notice.





MODEL	MODEL NUMBER									Approx. Packaged Weight	Delivered Pricing
	Basic Model	Armcap Type	Power & Location	Glide Option	Base Finish	Armcap Finish	Power Color	Upholstery Color	Thread Color		
 <p><b>Lounge Loveseat</b></p> <ul style="list-style-type: none"> <li>Fully upholstered, featuring 6" molded foam seat cushions</li> <li>8.5" die-cast aluminum leg</li> <li>Extruded aluminum base</li> <li>Stitching detail on back rest</li> <li>Debris clean-out spaces</li> <li>Field replaceable components</li> <li>Non-contrast COM = 6 yds</li> </ul> <p>Overall Dimensions: • W=52" D=28" H=32"</p>	ZYLNCC	<input type="checkbox"/>	<input type="checkbox"/>	<input type="checkbox"/>	<input type="checkbox"/>	<input type="checkbox"/>	<input type="checkbox"/>	<input type="checkbox"/>	<input type="checkbox"/>	165.00#	\$ 3540
ZYLN											
 <p><b>Lounge Loveseat, Bariatric</b></p> <ul style="list-style-type: none"> <li>Fully upholstered, featuring 6" foam seat cushions</li> <li>8.5" die-cast aluminum leg</li> <li>Extruded aluminum base</li> <li>Stitching detail on back rest</li> <li>Debris clean-out spaces</li> <li>Field replaceable components</li> <li>Non-contrast COM = 8.25 yds</li> </ul> <p>Overall Dimensions: • W=68" D=28" H=32"</p>	ZYLNBB	<input type="checkbox"/>	<input type="checkbox"/>	<input type="checkbox"/>	<input type="checkbox"/>	<input type="checkbox"/>	<input type="checkbox"/>	<input type="checkbox"/>	<input type="checkbox"/>	194.00#	\$ 4431
ZYLN											

**A B C D E F G H I**

**HOW TO ORDER**

- Indicate the following information on order form:
- Quantity of each item.
  - Model number, including options. See "How To Build a Model Number".
  - Any special service required.

Note: • The  indicates that a choice is required.  
• The absence of the  indicates that no choice is required.  
• Alpha-numeric characters in place of  indicate that no other alternatives are available.

**HOW TO BUILD A MODEL NUMBER**

- A** Select basic model.
- B** Select armcap type.
- PACBL** - Black poly armcap; add \$223  
**NAC** - No armcap  
**WAC** - Wood armcaps; add \$295
- C** Select power & location.
- M1C** - One power module, centered; add \$267  
**M1R** - One power module, right-facing; add \$267  
**M1L** - One power module, left-facing; add \$267  
**M2** - Two power modules; add \$645  
**NP** - No power

- D** Select glide.
- GFT** - Felt glides  
**GPL** - Plastic glides  
Glides adjust 7/8"

- E** Select base/leg finish.  
Refer to the **Product Color Options** page in this price list.  
Polished aluminum base/leg requires an upcharge. See FINISH INFORMATION.

- F** Select armcap finish.  
Refer to the **Product Color Options** page in this price list.

- G** Select power module color.
- WPBL** - Black/Black power module  
**WPWH** - White/white power module

- H** Select upholstery grade/color.  
Refer to **ki.com/fabrics**.  
• For yardage pricing, see Fabric Yardage Pricing page

- I** Select thread color.  
Refer to the **Product Color Options** page in this price list.

**NOTE**  
Ganging is not available on Zoetry product.  
  
Zoetry is offered in non-contrasting upholstery only, as standard.

**FINISH INFORMATION**

Polished Aluminum Upcharge:

Lounge Chair	
ZYLNC	\$160
ZYLNBB	\$160

Lounge Loveseat	
ZYLNCC	\$200
ZYLNBB	\$200
ZYLNBC	\$200
ZYLNCB	\$200

Tandem Lounge Loveseat	
ZYLACC	\$200
ZYLABB	\$200
ZYLABC	\$200
ZYLACB	\$200

Lounge Sofa	
ZYLNCCC	\$320
ZYLNCCW	\$320
ZYLNWBW	\$320
ZYLNBWC	\$320
ZYLNWBW	\$320

Tandem Lounge Sofa	
ZYLACCC	\$320
ZYLACBC	\$320
ZYLACB	\$320

Tandem Lounge Sofa with Table	
ZYLACRC	\$320
ZYLACTC	\$320
ZYLACSC	\$320
ZYLABRB	\$320
ZYLABTB	\$320
ZYLABSB	\$320
ZYLABRC	\$320
ZYLABTC	\$320
ZYLABSC	\$320
ZYLACRB	\$320
ZYLACTB	\$320
ZYLACSB	\$320

Tandem Lounge Opposing Orientation Sofa	
ZYLACTCL	\$320
ZYLACTCR	\$320
ZYLACSCCL	\$320
ZYLACSCR	\$320
ZYLACTBL	\$320

ZYLABTBR	\$320
ZYLABSBL	\$320
ZYLABSBR	\$320
ZYLABTCL	\$320
ZYLABTCR	\$320
ZYLABSCL	\$320
ZYLABSCR	\$320

**SPECIAL SERVICES**



**Special Carton Marking**

With specially marked information N/C

**Shipping**  
Ships assembled, FOB High Point, NC 27263, freight prepaid. Freight class 250.

Specifications and prices are subject to change without prior notice.



MODEL	MODEL NUMBER									Approx. Packaged Weight	Delivered Pricing
	Basic Model	Armcap Type	Power & Location	Glide Option	Base Finish	Armcap Finish	Power Color	Upholstery Color	Thread Color		
 <p><b>Lounge Loveseat, Bariatric Left/Standard Right</b></p> <ul style="list-style-type: none"> <li>Fully upholstered, featuring 6" foam seat cushions</li> <li>8.5" die-cast aluminum leg</li> <li>Extruded aluminum base</li> <li>Stitching detail on back rest</li> <li>Debris clean-out spaces</li> <li>Field replaceable components</li> <li>Non-contrast COM = 7.25 yds</li> </ul> <p>Overall Dimensions: • W=60" D=28" H=32"</p>	ZYLNBC	<input type="checkbox"/> <input type="checkbox"/> <input type="checkbox"/>	<input type="checkbox"/> <input type="checkbox"/> <input type="checkbox"/>	<input type="checkbox"/> <input type="checkbox"/>	<input type="checkbox"/> <input type="checkbox"/>	<input type="checkbox"/> <input type="checkbox"/> <input type="checkbox"/>	<input type="checkbox"/> <input type="checkbox"/>	<input type="checkbox"/> <input type="checkbox"/> <input type="checkbox"/>	<input type="checkbox"/> <input type="checkbox"/>	183.00#	\$ 328
 <p><b>Lounge Loveseat, Standard Left/Bariatric Right</b></p> <ul style="list-style-type: none"> <li>Fully upholstered, featuring 6" foam seat cushions</li> <li>8.5" die-cast aluminum leg</li> <li>Extruded aluminum base</li> <li>Stitching detail on back rest</li> <li>Debris clean-out spaces</li> <li>Field replaceable components</li> <li>Non-contrast COM = 7.25 yds</li> </ul> <p>Overall Dimensions: • W=60" D=28" H=32"</p>	ZYLNCB	<input type="checkbox"/> <input type="checkbox"/> <input type="checkbox"/>	<input type="checkbox"/> <input type="checkbox"/> <input type="checkbox"/>	<input type="checkbox"/> <input type="checkbox"/>	<input type="checkbox"/> <input type="checkbox"/>	<input type="checkbox"/> <input type="checkbox"/> <input type="checkbox"/>	<input type="checkbox"/> <input type="checkbox"/>	<input type="checkbox"/> <input type="checkbox"/> <input type="checkbox"/>	<input type="checkbox"/> <input type="checkbox"/>	182.50#	\$ 328

**A B C D E F G H I**

**HOW TO ORDER**

- Indicate the following information on order form:
- Quantity of each item.
  - Model number, including options. See "How To Build a Model Number".
  - Any special service required.

Note: • The  indicates that a choice is required.  
• The absence of the  indicates that no choice is required.  
• Alpha-numeric characters in place of  indicate that no other alternatives are available.

**HOW TO BUILD A MODEL NUMBER**

- A** Select basic model.  
**B** Select armcap type.  
 PACBL - Black poly armcap; add \$223  
 NAC - No armcap  
 WAC - Wood armcaps; add \$295  
**C** Select power & location.  
 M1C - One power module, centered; add \$267  
 M1R - One power module, right-facing; add \$267  
 M1L - One power module, left-facing; add \$267  
 M2 - Two power modules; add \$645  
 NP - No power

- D** Select glide.  
 GFT - Felt glides  
 GPL - Plastic glides  
 Glides adjust 7/8"

- E** Select base/leg finish.  
 Refer to the **Product Color Options** page in this price list.  
 Polished aluminum base/leg requires an upcharge. See FINISH INFORMATION.

- F** Select armcap finish.  
 Refer to the **Product Color Options** page in this price list.

- G** Select power module color.  
 WPBL - Black/Black power module  
 WPHW - White/white power module

- H** Select upholstery grade/color.  
 Refer to [ki.com/fabrics](http://ki.com/fabrics).  
 • For yardage pricing, see Fabric Yardage Pricing page

- I** Select thread color.  
 Refer to the **Product Color Options** page in this price list.

**NOTE**  
 Ganging is not available on Zoetry product.  
 Zoetry is offered in non-contrasting upholstery only, as standard.

**FINISH INFORMATION**

Polished Aluminum Upcharge:

Lounge Chair	
ZYLNC	\$160
ZYLN	\$160

Lounge Loveseat	
ZYLNCC	\$200
ZYLNBB	\$200
ZYLNBC	\$200
ZYLNCB	\$200

Tandem Lounge Loveseat	
ZYLACC	\$200
ZYLABB	\$200
ZYLABC	\$200
ZYLACB	\$200

Lounge Sofa	
ZYLNCCC	\$320
ZYLNCCC	\$320
ZYLNWBW	\$320
ZYLNWBC	\$320
ZYLNWCW	\$320

Tandem Lounge Sofa	
ZYLACCC	\$320
ZYLACBC	\$320
ZYLACB	\$320

Tandem Lounge Sofa with Table	
ZYLACRC	\$320
ZYLACTC	\$320
ZYLACSC	\$320
ZYLABRB	\$320
ZYLABTB	\$320
ZYLABSB	\$320
ZYLABRC	\$320
ZYLABTC	\$320
ZYLABSC	\$320
ZYLACRB	\$320
ZYLACTB	\$320
ZYLACSB	\$320

Tandem Lounge Opposing Orientation Sofa	
ZYLACTCL	\$320
ZYLACTCR	\$320
ZYLACSCCL	\$320
ZYLACSCR	\$320
ZYLABTBL	\$320

ZYLABTBR	\$320
ZYLABSBL	\$320
ZYLABSBR	\$320
ZYLABTCL	\$320
ZYLABTCR	\$320
ZYLABSCL	\$320
ZYLABSCR	\$320

**SPECIAL SERVICES**


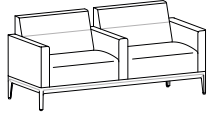
**Special Carton Marking**

With specially marked information N/C

**Shipping**  
 Ships assembled, FOB High Point, NC 27263, freight prepaid. Freight class 250.

Specifications and prices are subject to change without prior notice.



MODEL	MODEL NUMBER									Approx. Packaged Weight	Delivered Pricing
	Basic Model	Armcap Type	Power & Location	Glide Option	Base Finish	Armcap Finish	Power Color	Upholstery Color	Thread Color		
 <b>Tandem Lounge Loveseat</b> • Fully upholstered, featuring 6" molded foam seat cushions • 8.5" die-cast aluminum leg • Extruded aluminum base • Stitching detail on back rest • Debris clean-out spaces • Field replaceable components • Separating arms between seats • Non-contrast COM = 7 yds Overall Dimensions: • W=56" D=28" H=32"	ZYLACC	<input type="checkbox"/> <input type="checkbox"/> <input type="checkbox"/>	<input type="checkbox"/> <input type="checkbox"/> <input type="checkbox"/>	<input type="checkbox"/> <input type="checkbox"/>	<input type="checkbox"/> <input type="checkbox"/>	<input type="checkbox"/> <input type="checkbox"/> <input type="checkbox"/>	<input type="checkbox"/> <input type="checkbox"/>	<input type="checkbox"/> <input type="checkbox"/> <input type="checkbox"/>	<input type="checkbox"/> <input type="checkbox"/>	180.00#	\$ 3651
 <b>Tandem Lounge Loveseat, Bariatric</b> • Fully upholstered, featuring 6" foam seat cushions • 8.5" die-cast aluminum leg • Extruded aluminum base • Stitching detail on back rest • Debris clean-out spaces • Field replaceable components • Separating arms between seats • Non-contrast COM = 8.75 yds Overall Dimensions: • W=72" D=28" H=32"	ZYLABB	<input type="checkbox"/> <input type="checkbox"/> <input type="checkbox"/>	<input type="checkbox"/> <input type="checkbox"/> <input type="checkbox"/>	<input type="checkbox"/> <input type="checkbox"/>	<input type="checkbox"/> <input type="checkbox"/>	<input type="checkbox"/> <input type="checkbox"/> <input type="checkbox"/>	<input type="checkbox"/> <input type="checkbox"/>	<input type="checkbox"/> <input type="checkbox"/> <input type="checkbox"/>	<input type="checkbox"/> <input type="checkbox"/>	259.00#	\$ 4559

**A B C D E F G H I**

**HOW TO ORDER**

- Indicate the following information on order form:
- Quantity of each item.
  - Model number, including options. See "How to Build a Model Number".
  - Any special service required.

Note: • The  indicates that a choice is required.  
 • The absence of the  indicates that no choice is required.  
 • Alpha-numeric characters in place of  indicate that no other alternatives are available.

**HOW TO BUILD A MODEL NUMBER**

- A** Select basic model.
- B** Select armcap type.  
**NAC** - No armcap  
**PACBL** - Black poly armcap; add \$334  
**WAC** - Wood armcaps; add \$442
- C** Select power & location.  
**M1C** - One power module, centered; add \$267  
**M1L** - One power module, left-facing; add \$267  
**M1R** - One power module, right-facing; add \$267  
**M2** - Two power modules; add \$645  
**NP** - No power
- D** Select glide.  
**GFT** - Felt glides  
**GPL** - Plastic glides  
 Glides adjust 7/8"

- E** Select base/leg finish.  
 Refer to the **Product Color Options** page in this price list.  
 Polished aluminum base/leg requires an upcharge. See FINISH INFORMATION.
- F** Select armcap finish.  
 Refer to the **Product Color Options** page in this price list.
- G** Select power module color.  
**WPBL** - Black/Black power module  
**WPWH** - White/white power module
- H** Select upholstery grade/color.  
 Refer to [ki.com/fabrics](http://ki.com/fabrics).  
 • For yardage pricing, see Fabric Yardage Pricing page
- I** Select thread color.  
 Refer to the **Product Color Options** page in this price list.

**NOTE**  
 Ganging is not available on Zoetry product.  
 Zoetry is offered in non-contrasting upholstery only, as standard.

**FINISH INFORMATION**

Polished Aluminum Upcharge:

Lounge Chair	
ZYLNC	\$160
ZYLNBB	\$160

Lounge Loveseat	
ZYLNCC	\$200
ZYLNBB	\$200
ZYLNBC	\$200
ZYLNCB	\$200

Tandem Lounge Loveseat	
ZYLACC	\$200
ZYLABB	\$200
ZYLABC	\$200
ZYLACB	\$200

Lounge Sofa	
ZYLNCCC	\$320
ZYLNWC	\$320
ZYLNWBW	\$320
ZYLNWC	\$320
ZYLNWC	\$320

Tandem Lounge Sofa	
ZYLACC	\$320
ZYLACBC	\$320
ZYLACB	\$320

Tandem Lounge Sofa with Table	
ZYLACRC	\$320
ZYLACTC	\$320
ZYLACSC	\$320
ZYLABRB	\$320
ZYLABTB	\$320
ZYLABSB	\$320
ZYLABRC	\$320
ZYLABTC	\$320
ZYLABSC	\$320
ZYLACRB	\$320
ZYLACTB	\$320
ZYLACSB	\$320

Tandem Lounge Opposing Orientation Sofa	
ZYLACTCL	\$320
ZYLACTCR	\$320
ZYLACSC	\$320
ZYLACSCR	\$320
ZYLACTBL	\$320

ZYLABTBR	\$320
ZYLABSBL	\$320
ZYLABSBR	\$320
ZYLABTCL	\$320
ZYLABTCR	\$320
ZYLABSCL	\$320
ZYLABSCR	\$320

**SPECIAL SERVICES**

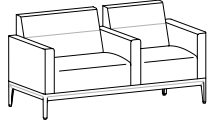

**Special Carton Marking**

With specially marked information N/C

**Shipping**  
 Ships assembled, FOB High Point, NC 27263, freight prepaid. Freight class 250.

Specifications and prices are subject to change without prior notice.



MODEL	MODEL NUMBER									Approx. Packaged Weight	Delivered Pricing
	Basic Model	Armcap Type	Power & Location	Glide Option	Base Finish	Armcap Finish	Power Color	Upholstery Color	Thread Color		
 ZYLA <b>Tandem Lounge Loveseat, Bariatric Left/Standard Right</b> • Fully upholstered, featuring 6" foam seat cushions • 8.5" die-cast aluminum leg • Extruded aluminum base • Stitching detail on back rest • Debris clean-out spaces • Field replaceable components • Separating arms between seats • Non-contrast COM = 7.75 yds Overall Dimensions: • W=64" D=28" H=32"	ZYLABC	□□□	□□□	□□	□□	□□□	□□	□□	□□	192.00#	\$ 3983
 ZYLA <b>Tandem Lounge Loveseat, Standard Left/Bariatric Right</b> • Fully upholstered, featuring 6" foam seat cushions • 8.5" die-cast aluminum leg • Extruded aluminum base • Stitching detail on back rest • Debris clean-out spaces • Field replaceable components • Separating arms between seats • Non-contrast COM = 7.75 yds Overall Dimensions: • W=64" D=28" H=32"	ZYLACB	□□□	□□□	□□	□□	□□□	□□	□□	□□	200.00#	\$ 3983

**A B C D E F G H I**

**HOW TO ORDER**

- Indicate the following information on order form:
- Quantity of each item.
  - Model number, including options. See "How To Build a Model Number".
  - Any special service required.

Note: • The  indicates that a choice is required.  
 • The absence of the  indicates that no choice is required.  
 • Alpha-numeric characters in place of  indicate that no other alternatives are available.

**HOW TO BUILD A MODEL NUMBER**

- A** Select basic model.
- B** Select armcap type.  
**NAC** - No armcap  
**PACBL** - Black poly armcap; add \$334  
**WAC** - Wood armcaps; add \$442
- C** Select power & location.  
**M1C** - One power module, centered; add \$267  
**M1L** - One power module, left-facing; add \$267  
**M1R** - One power module, right-facing; add \$267  
**M2** - Two power modules; add \$645  
**NP** - No power
- D** Select glide.  
**GFT** - Felt glides  
**GPL** - Plastic glides  
 Glides adjust 7/8"

- E** Select base/leg finish.  
 Refer to the **Product Color Options** page in this price list.  
 Polished aluminum base/leg requires an upcharge. See FINISH INFORMATION.
- F** Select armcap finish.  
 Refer to the **Product Color Options** page in this price list.
- G** Select power module color.  
**WPBL** - Black/Black power module  
**WPWH** - White/white power module
- H** Select upholstery grade/color.  
 Refer to **ki.com/fabrics**.  
 • For yardage pricing, see Fabric Yardage Pricing page
- I** Select thread color.  
 Refer to the **Product Color Options** page in this price list.

**NOTE**  
 Ganging is not available on Zoetry product.  
 Zoetry is offered in non-contrasting upholstery only, as standard.

**FINISH INFORMATION**

Polished Aluminum Upcharge:

Lounge Chair	
ZYLNC	\$160
ZYLN B	\$160
Lounge Loveseat	
ZYLNCC	\$200
ZYLNBB	\$200
ZYLNBC	\$200
ZYLN CB	\$200
Tandem Lounge Loveseat	
ZYLACC	\$200
ZYLABB	\$200
ZYLABC	\$200
ZYLACB	\$200

Lounge Sofa	
ZYLNCCC	\$320
ZYLN CWC	\$320
ZYLN BWB	\$320
ZYLN BWC	\$320
ZYLN CWB	\$320

Tandem Lounge Sofa	
ZYLACCC	\$320
ZYLACBC	\$320
ZYLACB B	\$320

Tandem Lounge Sofa with Table	
ZYLACRC	\$320
ZYLACTC	\$320
ZYLACSC	\$320
ZYLABRB	\$320
ZYLABTB	\$320
ZYLABSB	\$320
ZYLABRC	\$320
ZYLABTC	\$320
ZYLABSC	\$320
ZYLACRB	\$320
ZYLACTB	\$320
ZYLACSB	\$320

Tandem Lounge Opposing Orientation Sofa	
ZYLACTCL	\$320
ZYLACTCR	\$320
ZYLAC SCL	\$320
ZYLACSCR	\$320
ZYLABTBL	\$320

ZYLABTBR	\$320
ZYLABSBL	\$320
ZYLABSBR	\$320
ZYLABTCL	\$320
ZYLABTCR	\$320
ZYLAB SCL	\$320
ZYLABSCR	\$320

**SPECIAL SERVICES**

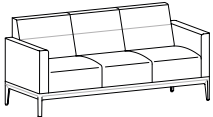
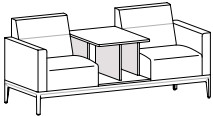
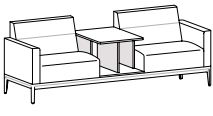
**Special Carton Marking**

With specially marked information N/C

**Shipping**  
 Ships **assembled, FOB High Point, NC 27263, freight prepaid.** Freight class 250.

Specifications and prices are subject to change without prior notice.



MODEL	MODEL NUMBER												Approx. Packaged Weight	Delivered Pricing	Laminate Grade 2 add to list price	Laminate Grade 3 add to list price
	Basic Model	Arm-cap Type	Pwr & Loc	Glide Option	Base Finish	Arm-cap Finish	Power Color	Uph. Color	Thread Color	Table Finish	Edge Color (73P)					
 <p><b>Lounge Sofa</b>                      • Fully upholstered, featuring 6" molded foam seat cushions                      • 8.5" die-cast aluminum leg                      • Extruded aluminum base                      • Stitching detail on back rest                      • Debris clean-out spaces                      • Field replaceable components                      • Non-contrast COM = 8.25 yds                      Overall Dimensions:                      • W=74" D=28" H=32"</p>	ZYLNCCC	<input type="checkbox"/>	<input type="checkbox"/>	<input type="checkbox"/>	<input type="checkbox"/>	<input type="checkbox"/>	<input type="checkbox"/>	<input type="checkbox"/>	<input type="checkbox"/>	<input type="checkbox"/>	<input type="checkbox"/>		221.00#	\$ 4349	N/A	N/A
ZYLN																
 <p><b>Lounge Sofa, Standard/Working Height Table/Standard</b>                      • Fully upholstered, featuring 6" molded foam seat cushions                      • 8.5" die-cast aluminum leg                      • Extruded aluminum base                      • Stitching detail on back rest                      • Debris clean-out spaces                      • Field replaceable components                      • Separating arms between seats                      • Power located in table surface, when power specified                      • No arms near table to allow for collaboration and storage                      • Non-contrast COM = 6 yds                      Overall Dimensions:                      • W=74" D=28" H=32"</p>	ZYLNWCW	<input type="checkbox"/>	<input type="checkbox"/>	<input type="checkbox"/>	<input type="checkbox"/>	<input type="checkbox"/>	<input type="checkbox"/>	<input type="checkbox"/>	<input type="checkbox"/>	<input type="checkbox"/>	<input type="checkbox"/>		241.00#	\$ 4791	\$ 27	\$ 178
ZYLN																
 <p><b>Lounge Sofa, Bariatric/Working Height Table/Bariatric</b>                      • Fully upholstered, featuring 6" foam seat cushions                      • 8.5" die-cast aluminum leg                      • Extruded aluminum base                      • Stitching detail on back rest                      • Debris clean-out spaces                      • Field replaceable components                      • Separating arms between seats                      • Power located in table surface, when power specified                      • No arms near table to allow for collaboration and storage                      • Non-contrast COM = 8.25 yds                      Overall Dimensions:                      • W=90" D=28" H=32"</p>	ZYLNWBW	<input type="checkbox"/>	<input type="checkbox"/>	<input type="checkbox"/>	<input type="checkbox"/>	<input type="checkbox"/>	<input type="checkbox"/>	<input type="checkbox"/>	<input type="checkbox"/>	<input type="checkbox"/>	<input type="checkbox"/>		320.00#	\$ 5622	\$ 27	\$ 178
ZYLN																

**HOW TO ORDER**

- Indicate the following information on order form:
- Quantity of each item.
  - Model number, including options. See "How to Build a Model Number".
  - Any special service required.

Note: • The  indicates that a choice is required.  
 • The absence of the  indicates that no choice is required.  
 • Alpha-numeric characters in place of  indicate that no other alternatives are available.

**HOW TO BUILD A MODEL NUMBER**

- A** Select basic model.  
**B** Select armcap type.  
 PACBL - Black poly armcap; add \$223  
 NAC - No armcap  
 WAC - Wood armcaps; add \$295  
**C** Select power & location.  
 M1 - One power module; add \$248  
 M1R - One power module, right-facing; add \$267  
 M1L - One power module, left-facing; add \$267  
 M2 - Two power modules; add \$645  
 NP - No power  
 Models with tables are only available with NP or M1.  
**D** Select glide.  
 GFT - Felt glides  
 GPL - Plastic glides  
 Glides adjust 7/8"

- E** Select base/leg finish.  
 Refer to the **Product Color Options** page in this price list.  
 Polished aluminum base/leg requires an upcharge. See FINISH INFORMATION.  
**F** Select armcap finish.  
 Refer to the **Product Color Options** page in this price list.  
**G** Select power module color.  
 WPBL - Black/Black power module  
 WPSL - Silver/White power module  
 WPWH - White/white power module  
**H** Select upholstery grade/color.  
 Refer to [ki.com/fabrics](http://ki.com/fabrics).  
 • For yardage pricing, see Fabric Yardage Pricing page

- J** Select laminate table finish.  
 Refer to the **Product Color Options** page in this price list.  
**K** Select 73P edge color.  
 Refer to the **Product Color Options** page in this price list.

**NOTE**

Ganging is not available on Zoetry product.  
 Zoety is offered in non-contrasting upholstery only, as standard.

**FINISH INFORMATION**

Polished Aluminum Upcharge:

Lounge Chair	
ZYLNC	\$160
ZYLN B	\$160
Lounge Loveseat	
ZYLNCC	\$200
ZYLNBB	\$200
ZYLNBC	\$200
ZYLN CB	\$200

Tandem Lounge Loveseat	
ZYLACC	\$200
ZYLABB	\$200
ZYLABC	\$200
ZYLACB	\$200

Lounge Sofa	
ZYLNCCC	\$320
ZYLNWCW	\$320
ZYLNWBW	\$320
ZYLNWBW	\$320
ZYLNWCW	\$320

Tandem Lounge Sofa	
ZYLACC	\$320
ZYLACBC	\$320
ZYLACB	\$320

Tandem Lounge Sofa with Table	
ZYLACRC	\$320
ZYLACTC	\$320
ZYLACSC	\$320
ZYLABRB	\$320
ZYLABTB	\$320
ZYLABSB	\$320
ZYLABRC	\$320
ZYLABTC	\$320
ZYLABSC	\$320
ZYLACRB	\$320
ZYLACTB	\$320
ZYLACSB	\$320

Tandem Lounge Opposing Orientation Sofa

ZYLACTCL	\$320
ZYLACTCR	\$320
ZYLACSC	\$320
ZYLACSCR	\$320
ZYLABTBL	\$320
ZYLABTBR	\$320
ZYLABSBL	\$320
ZYLABSBR	\$320
ZYLABTCL	\$320
ZYLABTCR	\$320
ZYLABSC	\$320
ZYLABSCR	\$320

**SPECIAL SERVICES**

**Special Carton Marking**

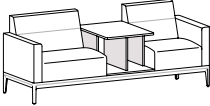
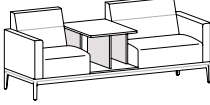
With specially marked information N/C

**Shipping**

Ships assembled, FOB High Point, NC 27263, freight prepaid. Freight class 250.

Specifications and prices are subject to change without prior notice.



MODEL	MODEL NUMBER											Approx. Packaged Weight	Delivered Pricing	Laminate Grade 2 add to list price	Laminate Grade 3 add to list price
	Basic Model	Arm-cap Type	Pwr & Loc	Glide Option	Base Finish	Arm-cap Finish	Power Color	Uph. Color	Thread Color	Table Finish	Edge Color (73P)				
 ZYLN <b>Lounge Sofa, Bariatric/Working Height Table/Standard</b> • Fully upholstered, featuring 6" foam seat cushions • 8.5" die-cast aluminum leg • Extruded aluminum base • Stitching detail on back rest • Debris clean-out spaces • Field replaceable components • Separating arms between seats • Power located in table surface, when power specified • No arms near table to allow for collaboration and storage • Non-contrast COM = 7.25 yds Overall Dimensions: • W=82" D=28" H=32"	ZYLNBWC	<input type="checkbox"/>	<input type="checkbox"/>	<input type="checkbox"/>	<input type="checkbox"/>	<input type="checkbox"/>	<input type="checkbox"/>	<input type="checkbox"/>	<input type="checkbox"/>	<input type="checkbox"/>	<input type="checkbox"/>	332.00#	\$ 5312	\$ 27	\$ 178
	A B C D E F G H I J K														
 ZYLN <b>Lounge Sofa, Standard/Working Height Table/Bariatric</b> • Fully upholstered, featuring 6" foam seat cushions • 8.5" die-cast aluminum leg • Extruded aluminum base • Stitching detail on back rest • Debris clean-out spaces • Field replaceable components • Separating arms between seats • Power located in table surface, when power specified • No arms near table to allow for collaboration and storage • Non-contrast COM = 7.25 yds Overall Dimensions: • W=82" D=28" H=32"	ZYLN CWB	<input type="checkbox"/>	<input type="checkbox"/>	<input type="checkbox"/>	<input type="checkbox"/>	<input type="checkbox"/>	<input type="checkbox"/>	<input type="checkbox"/>	<input type="checkbox"/>	<input type="checkbox"/>	<input type="checkbox"/>	286.00#	\$ 5312	\$ 27	\$ 178
	A B C D E F G H I J K														

**HOW TO ORDER**

- Indicate the following information on order form:
- Quantity of each item.
  - Model number, including options. See "How To Build a Model Number".
  - Any special service required.

Note: • The  indicates that a choice is required.  
 • The absence of the  indicates that no choice is required.  
 • Alpha-numeric characters in place of  indicate that no other alternatives are available.

**HOW TO BUILD A MODEL NUMBER**

- A** Select basic model.
- B** Select armcap type.
 

<b>PACBL</b>	- Black poly armcap; add \$223
<b>NAC</b>	- No armcap
<b>WAC</b>	- Wood armcaps; add \$295
- C** Select power & location.
 

<b>M1</b>	- One power module; add \$248
<b>NP</b>	- No power
- D** Select glide.
 

<b>GFT</b>	- Felt glides
<b>GPL</b>	- Plastic glides

 Glides adjust 7/8"
- E** Select base/leg finish. Refer to the **Product Color Options** page in this price list. Polished aluminum base/leg requires an upcharge. See FINISH INFORMATION.

- F** Select armcap finish. Refer to the **Product Color Options** page in this price list.
- G** Select power module color.
 

<b>WPBL</b>	- Black/Black power module
<b>WPSL</b>	- Silver/White power module
<b>WPWH</b>	- White/white power module
- H** Select upholstery grade/color. Refer to [ki.com/fabrics](http://ki.com/fabrics).  
 • For yardage pricing, see Fabric Yardage Pricing page
- I** Select thread color. Refer to the **Product Color Options** page in this price list.
- J** Select laminate table finish. Refer to the **Product Color Options** page in this price list.
- K** Select 73P edge color. Refer to the **Product Color Options** page in this price list.

**NOTE**

Ganging is not available on Zoetry product.

Zoety is offered in non-contrasting upholstery only, as standard.

**FINISH INFORMATION**

Polished Aluminum Upcharge:

Lounge Chair	
ZYLN C	\$160
ZYLN B	\$160

Lounge Loveseat	
ZYLN CC	\$200
ZYLN BB	\$200
ZYLN BC	\$200
ZYLN CB	\$200

Tandem Lounge Loveseat	
ZYLACC	\$200
ZYLABB	\$200
ZYLABC	\$200
ZYLACB	\$200

Lounge Sofa	
ZYLNCCC	\$320
ZYLNWC	\$320
ZYLNWBW	\$320
ZYLN BWC	\$320
ZYLN CWB	\$320

Tandem Lounge Sofa	
ZYLACC	\$320
ZYLACB	\$320
ZYLACB	\$320

Tandem Lounge Sofa with Table	
ZYLACRC	\$320
ZYLACTC	\$320
ZYLACSC	\$320
ZYLABRB	\$320
ZYLABTB	\$320
ZYLABSB	\$320
ZYLABRC	\$320
ZYLABTC	\$320
ZYLABSC	\$320
ZYLACRB	\$320
ZYLACTB	\$320
ZYLACSB	\$320

**Tandem Lounge Opposing Orientation Sofa**

ZYLACTCL	\$320
ZYLACTCR	\$320
ZYLAC SCL	\$320
ZYLAC SCR	\$320
ZYLABTBL	\$320
ZYLABTBR	\$320
ZYLABSBL	\$320
ZYLABSBR	\$320
ZYLABTCL	\$320
ZYLABTCR	\$320
ZYLAB SCL	\$320
ZYLAB SCR	\$320

**FINISH INFORMATION**

**ADDITIONAL LAMINATE OFFERING**

KI offers laminates beyond those offered in the standard offering. Laminates that are currently available in the program can be viewed in KI product specification tools. Requests to add laminates to the program can be submitted via the product modification request process. Please note, requests to add laminates to the program must include the laminate manufacturers name, color/pattern number, and finish code. Edge options are limited to standard edge colors. If a matching edge is required, this will need to be requested thru the product modification request process and may be subject to additional costs. Due to varying manufacturing processes and quality issues with some laminates, some requests may be denied. Extended lead times and minimum order quantities may apply on orders containing special laminates. Contact the product modification team for questions or additional information regarding special laminates and pricing.

**SPECIAL SERVICES**


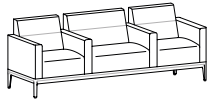
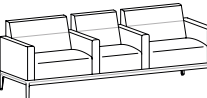
**Special Carton Marking**

With specially marked information N/C

**Shipping**  
 Ships assembled, FOB High Point, NC 27263, freight prepaid. Freight class 250.

Specifications and prices are subject to change without prior notice.



MODEL	MODEL NUMBER									Approx. Packaged Weight	Delivered Pricing
	Basic Model	Armcap Type	Power & Location	Glide Option	Base Finish	Armcap Finish	Power Color	Uph. Color	Thread Color		
 <b>Tandem Lounge Sofa</b> • Fully upholstered, featuring 6" molded foam seat cushions • 8.5" die-cast aluminum leg • Extruded aluminum base • Stitching detail on back rest • Debris clean-out spaces • Field replaceable components • Separating arms between seats • Non-contrast COM = 9.75 yds Overall Dimensions: • W=82" D=28" H=32"	ZYLACCC	□□□	□□□	□□	□□	□□□	□□	□□□	□□□	258.00#	\$ 4681
 <b>Tandem Lounge Sofa, Standard/Bariatric/Standard</b> • Fully upholstered, featuring 6" foam seat cushions • 8.5" die-cast aluminum leg • Extruded aluminum base • Stitching detail on back rest • Debris clean-out spaces • Field replaceable components • Separating arms between seats • Non-contrast COM = 11.25 yds Overall Dimensions: • W=90" D=28" H=32"	ZYLACBC	□□□	□□□	□□	□□	□□□	□□	□□□	□□□	299.00#	\$ 4980
 <b>Tandem Lounge Sofa, Bariatric/Standard/Bariatric</b> • Fully upholstered, featuring 6" foam seat cushions • 8.5" die-cast aluminum leg • Extruded aluminum base • Stitching detail on back rest • Debris clean-out spaces • Field replaceable components • Separating arms between seats • Non-contrast COM = 11.25 yds Overall Dimensions: • W=98" D=28" H=32"	ZYLACBB	□□□	□□□	□□	□□	□□□	□□	□□□	□□□	317.00#	\$ 5351

**A B C D E F G H I**

**HOW TO ORDER**

Indicate the following information on order form:  
 1. Quantity of each item.  
 2. Model number, including options. See "How To Build a Model Number".  
 3. Any special service required.

Note: • The □ indicates that a choice is required.  
 • The absence of the □ indicates that no choice is required.  
 • Alpha-numeric characters in place of □ indicate that no other alternatives are available.

**HOW TO BUILD A MODEL NUMBER**

- A** Select basic model.
- B** Select armcap type.  
 NAC - No armcap  
 WAC - Wood armcaps; add \$589  
 PACBL - Black poly armcap; add \$445
- C** Select power & location.  
 M1L - One power module, left-facing; add \$267  
 M1R - One power module, right-facing; add \$267  
 M2 - Two power modules; add \$645  
 NP - No power
- D** Select glide.  
 GFT - Felt glides  
 GPL - Plastic glides  
 Glides adjust 7/8"
- E** Select base/leg finish.  
 Refer to the **Product Color Options** page in this price list.

- Polished aluminum base/leg requires an upcharge. See **FINISH INFORMATION**.
- F** Select armcap finish.  
 Refer to the **Product Color Options** page in this price list.
- G** Select power module color.  
 WPBL - Black/Black power module  
 WPPH - White/white power module
- H** Select upholstery grade/color.  
 Refer to [ki.com/fabrics](http://ki.com/fabrics).  
 • For yardage pricing, see Fabric Yardage Pricing page
- I** Select thread color.  
 Refer to the **Product Color Options** page in this price list.

**NOTE**  
 Ganging is not available on Zoetry product.  
 Zoetry is offered in non-contrasting upholstery only, as standard.

**FINISH INFORMATION**

Polished Aluminum Upcharge:

Lounge Chair	
ZYLNCC	\$160
ZYLNBB	\$160

Lounge Loveseat	
ZYLNCC	\$200
ZYLNBB	\$200
ZYLNBC	\$200
ZYLNCB	\$200

Tandem Lounge Loveseat	
ZYLACC	\$200
ZYLABB	\$200
ZYLABC	\$200
ZYLACB	\$200

Lounge Sofa	
ZYLNCCC	\$320
ZYLNCCW	\$320
ZYLNBBW	\$320
ZYLNBCW	\$320
ZYLNBCW	\$320

Tandem Lounge Sofa	
ZYLACCC	\$320
ZYLACBC	\$320
ZYLACBB	\$320

Tandem Lounge Sofa with Table	
ZYLACRC	\$320
ZYLACTC	\$320
ZYLACSC	\$320
ZYLABRB	\$320
ZYLABTB	\$320
ZYLABSB	\$320
ZYLABRC	\$320
ZYLABTC	\$320
ZYLABSC	\$320
ZYLACRB	\$320
ZYLACTB	\$320
ZYLACSB	\$320

Tandem Lounge Opposing Orientation Sofa	
ZYLACTCL	\$320
ZYLACTCR	\$320
ZYLACSCCL	\$320
ZYLACSCR	\$320
ZYLABTBL	\$320

ZYLABTBR	\$320
ZYLABSBL	\$320
ZYLABSBR	\$320
ZYLABTCL	\$320
ZYLABTCL	\$320
ZYLABTCL	\$320
ZYLABSCR	\$320

**SPECIAL SERVICES**

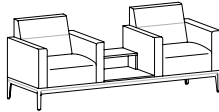
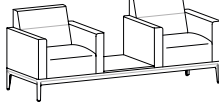
**Special Carton Marking**

With specially marked information N/C

**Shipping**  
 Ships assembled, FOB High Point, NC 27263, freight prepaid. Freight class 250.

Specifications and prices are subject to change without prior notice.



MODEL	MODEL NUMBER											Approx. Packaged Weight	Delivered Pricing	Laminate Grade 2 add to list price	Laminate Grade 3 add to list price
	Basic Model	Arm-cap Type	Pwr & Loc	Glide Option	Base Finish	Arm-cap Finish	Power Color	Uph. Color	Thread Color	Table Finish	Edge Color (73P)				
 ZYLA <b>Tandem Lounge Sofa, Standard/Raised Table/Standard</b> • Fully upholstered, featuring 6" molded foam seat cushions • 8.5" die-cast aluminum leg • Extruded aluminum base • Stitching detail on back rest • Debris clean-out spaces • Field replaceable components • Separating arms • Power located in table surface, when power specified • Table features raised portion for easy access to personal items • Non-contrast COM = 8.25 yds Overall Dimensions: • W=82" D=28" H=32"	ZYLACRC	<input type="checkbox"/>	<input type="checkbox"/>	<input type="checkbox"/>	<input type="checkbox"/>	<input type="checkbox"/>	<input type="checkbox"/>	<input type="checkbox"/>	<input type="checkbox"/>	<input type="checkbox"/>	<input type="checkbox"/>	286.00#	\$ 4791	\$ 27	\$ 178
	 ZYLA <b>Tandem Lounge Sofa, Standard/Flat Table/Standard</b> • Fully upholstered, featuring 6" molded foam seat cushions • 8.5" die-cast aluminum leg • Extruded aluminum base • Stitching detail on back rest • Debris clean-out spaces • Field replaceable components • Separating arms • Power located in table surface, when power specified • In-line table supports personal items • Non-contrast COM = 8.25 yds Overall Dimensions: • W=82" D=28" H=32"	ZYLACTC	<input type="checkbox"/>	<input type="checkbox"/>	<input type="checkbox"/>	<input type="checkbox"/>	<input type="checkbox"/>	<input type="checkbox"/>	<input type="checkbox"/>	<input type="checkbox"/>	<input type="checkbox"/>	<input type="checkbox"/>	262.00#	\$ 4349	\$ 19

**A B C D E F G H I J K**

**HOW TO ORDER**

- Indicate the following information on order form:
- Quantity of each item.
  - Model number, including options. See "How To Build a Model Number".
  - Any special service required.

Note: • The  indicates that a choice is required.  
 • The absence of the  indicates that no choice is required.  
 • Alpha-numeric characters in place of  indicate that no other alternatives are available.

**HOW TO BUILD A MODEL NUMBER**

- A** Select basic model.
- B** Select armcap type.
 

<b>PACBL</b>	- Black poly armcap; add \$445
<b>NAC</b>	- No armcap
<b>WAC</b>	- Wood armcaps; add \$589
- C** Select power & location.
 

<b>M1</b>	- One power module; add \$248
<b>NP</b>	- No power
- D** Select glide.
 

<b>GFT</b>	- Felt glides
<b>GPL</b>	- Plastic glides

 Glides adjust 7/8"
- E** Select base/leg finish. Refer to the **Product Color Options** page in this price list. Polished aluminum base/leg requires an upcharge. See FINISH INFORMATION.

- F** Select armcap finish. Refer to the **Product Color Options** page in this price list.
- G** Select power module color.
 

<b>WPBL</b>	- Black/Black power module
<b>WPSL</b>	- Silver/White power module
<b>WPWH</b>	- White/white power module
- H** Select upholstery grade/color. Refer to [ki.com/fabrics](http://ki.com/fabrics).  
 • For yardage pricing, see Fabric Yardage Pricing page
- I** Select thread color. Refer to the **Product Color Options** page in this price list.
- J** Select laminate table finish. Refer to the **Product Color Options** page in this price list.
- K** Select 73P edge color. Refer to the **Product Color Options** page in this price list.

**NOTE**

Ganging is not available on Zoetry product.  
 Zoety is offered in non-contrasting upholstery only, as standard.

**FINISH INFORMATION**

Polished Aluminum Upcharge:

Lounge Chair	
ZYLNCC	\$160
ZYLNBB	\$160
Lounge Loveseat	
ZYLNCC	\$200
ZYLNBB	\$200
ZYLNBC	\$200
ZYLNCB	\$200
Tandem Lounge Loveseat	
ZYLACC	\$200
ZYLABB	\$200
ZYLABC	\$200
ZYLACB	\$200

Lounge Sofa	
ZYLNCCC	\$320
ZYLNWC	\$320
ZYLNWBW	\$320
ZYLNWC	\$320
ZYLNWB	\$320

Tandem Lounge Sofa	
ZYLACC	\$320
ZYLACBC	\$320
ZYLACB	\$320

Tandem Lounge Sofa with Table	
ZYLACRC	\$320
ZYLACTC	\$320
ZYLACSC	\$320
ZYLABRB	\$320
ZYLABTB	\$320
ZYLABSB	\$320
ZYLABRC	\$320
ZYLABTC	\$320
ZYLABSC	\$320
ZYLACRB	\$320
ZYLACTB	\$320
ZYLACSB	\$320

**Tandem Lounge Opposing Orientation Sofa**

ZYLACTCL	\$320
ZYLACTCR	\$320
ZYLACSCCL	\$320
ZYLACSCR	\$320
ZYLABTBL	\$320
ZYLABTBR	\$320
ZYLABSBL	\$320
ZYLABSBR	\$320
ZYLABTCL	\$320
ZYLABTCR	\$320
ZYLABSCCL	\$320
ZYLABSCR	\$320

**FINISH INFORMATION**

**ADDITIONAL LAMINATE OFFERING**

KI offers laminates beyond those offered in the standard offering. Laminates that are currently available in the program can be viewed in KI product specification tools. Requests to add laminates to the program can be submitted via the product modification request process. Please note, requests to add laminates to the program must include the laminate manufacturers name, color/pattern number, and finish code. Edge options are limited to standard edge colors. If a matching edge is required, this will need to be requested thru the product modification request process and may be subject to additional costs. Due to varying manufacturing processes and quality issues with some laminates, some requests may be denied. Extended lead times and minimum order quantities may apply on orders containing special laminates. Contact the product modification team for questions or additional information regarding special laminates and pricing.

**SPECIAL SERVICES**

**Special Carton Marking**

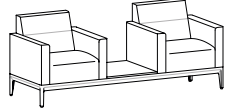
With specially marked information N/C

**Shipping**

Ships assembled, FOB High Point, NC 27263, freight prepaid. Freight class 250.

Specifications and prices are subject to change without prior notice.



MODEL	MODEL NUMBER									Approx. Packaged Weight	Delivered Pricing	
	Basic Model	Armcap Type	Power & Location	Glide Option	Base Finish	Armcap Finish	Power Color	Uph. Color	Thread Color			
 <p><b>Tandem Lounge Sofa, Standard/Solid Surface Table/Standard</b></p> <ul style="list-style-type: none"> <li>Fully upholstered, featuring 6" molded foam seat cushions</li> <li>8.5" die-cast aluminum leg</li> <li>Extruded aluminum base</li> <li>Stitching detail on back rest</li> <li>Debris clean-out spaces</li> <li>Field replaceable components</li> <li>Separating arms</li> <li>Power located in table surface, when power specified</li> <li>Corian® Solid Surface in-line table supports personal items</li> <li>Non-contrast COM = 8.25 yds</li> </ul> <p>Overall Dimensions: • W=82" D=28" H=32"</p>	ZYLACSC	□□□	□□□	□□	□□	□□□	□□	□□□	□□□	271.00#	\$ 4791	

ZYLA

**HOW TO ORDER**

- Indicate the following information on order form:
- Quantity of each item.
  - Model number, including options. See "How To Build a Model Number".
  - Any special service required.

Note: • The □ indicates that a choice is required.  
• The absence of the □ indicates that no choice is required.  
• Alpha-numeric characters in place of □ indicate that no other alternatives are available.

**HOW TO BUILD A MODEL NUMBER**

**A** Select basic model.

**B** Select armcap type.

- NAC** - No armcap
- PACBL** - Black poly armcap; add \$445
- WAC** - Wood armcaps; add \$589

**C** Select power & location.

- MT** - One power module; add \$248
- NP** - No power

**D** Select glide.

- GFT** - Felt glides
  - GPL** - Plastic glides
- Glides adjust 7/8"

**E** Select base/leg finish.

Refer to the **Product Color Options** page in this price list.  
Polished aluminum base/leg requires an upcharge. See FINISH INFORMATION.

**F** Select armcap finish.

Refer to the **Product Color Options** page in this price list.

**G** Select power module color.

- WPBL** - Black/Black power module
- WPSL** - Silver/White power module
- WPWH** - White/white power module

**H** Select upholstery grade/color.

Refer to [ki.com/fabrics](http://ki.com/fabrics).  
• For yardage pricing, see Fabric Yardage Pricing page

**I** Select thread color.

Refer to the **Product Color Options** page in this price list.

**NOTE**

Solid surface color is always Corian® Glacier White.  
Corian® is a DuPont brand.

Ganging is not available on Zoetry product.

Zoety is offered in non-contrasting upholstery only, as standard.

**FINISH INFORMATION**

Polished Aluminum Upcharge:

Lounge Chair	
ZYLNC	\$160
ZYLNBB	\$160

Lounge Loveseat	
ZYLNCC	\$200
ZYLNBB	\$200
ZYLNBC	\$200
ZYLNCB	\$200

Tandem Lounge Loveseat	
ZYLACC	\$200
ZYLABB	\$200
ZYLABC	\$200
ZYLACB	\$200

Lounge Sofa	
ZYLNCCC	\$320
ZYLNWC	\$320
ZYLNWBW	\$320
ZYLNWC	\$320
ZYLNWBW	\$320

Tandem Lounge Sofa

ZYLACCC	\$320
ZYLACBC	\$320
ZYLACB	\$320

Tandem Lounge Sofa with Table

ZYLACRC	\$320
ZYLACTC	\$320
ZYLACSC	\$320
ZYLABRB	\$320
ZYLABTB	\$320
ZYLABSB	\$320
ZYLABRC	\$320
ZYLABTC	\$320
ZYLABSC	\$320
ZYLACRB	\$320
ZYLACTB	\$320
ZYLACSB	\$320

Tandem Lounge Opposing Orientation Sofa

ZYLACTCL	\$320
ZYLACTCR	\$320
ZYLACSCCL	\$320
ZYLACSCR	\$320
ZYLABTBL	\$320

ZYLABTBR	\$320
ZYLABSBL	\$320
ZYLABSBR	\$320
ZYLABTCL	\$320
ZYLABTCR	\$320
ZYLABSCCL	\$320
ZYLABSCR	\$320

**SPECIAL SERVICES**

**Special Carton Marking**

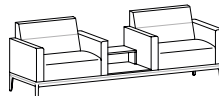
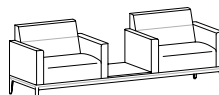
With specially marked information N/C

**Shipping**

Ships **assembled, FOB High Point, NC 27263, freight prepaid.** Freight class 250.

Specifications and prices are subject to change without prior notice.



MODEL	MODEL NUMBER											Approx. Packaged Weight	Delivered Pricing	Laminate Grade 2 add to list price	Laminate Grade 3 add to list price
	Basic Model	Arm-cap Type	Pwr & Loc	Glide Option	Base Finish	Arm-cap Finish	Power Color	Uph. Color	Thread Color	Table Finish	Edge Color (73P)				
 ZYLA <b>Tandem Lounge Sofa, Bariatric/Raised Table/Bariatric</b> • Fully upholstered, featuring 6" foam seat cushions • 8.5" die-cast aluminum leg • Extruded aluminum base • Stitching detail on back rest • Debris clean-out spaces • Field replaceable components • Separating arms • Power located in table surface, when power specified • Table features raised portion for easy access to personal items • Non-contrast COM = 11.25 yds Overall Dimensions: • W=98" D=28" H=32"	ZYLABRB	<input type="checkbox"/>	<input type="checkbox"/>	<input type="checkbox"/>	<input type="checkbox"/>	<input type="checkbox"/>	<input type="checkbox"/>	<input type="checkbox"/>	<input type="checkbox"/>	<input type="checkbox"/>	<input type="checkbox"/>	327.00#	\$ 5622	\$ 27	\$ 178
	A B C D E F G H I J K														
 ZYLA <b>Tandem Lounge Sofa, Bariatric/Table/Bariatric</b> • Fully upholstered, featuring 6" foam seat cushions • 8.5" die-cast aluminum leg • Extruded aluminum base • Stitching detail on back rest • Debris clean-out spaces • Field replaceable components • Separating arms • Power located in table surface, when power specified • In-line table supports personal items • Non-contrast COM = 11.25 yds Overall Dimensions: • W=98" D=28" H=32"	ZYLABTB	<input type="checkbox"/>	<input type="checkbox"/>	<input type="checkbox"/>	<input type="checkbox"/>	<input type="checkbox"/>	<input type="checkbox"/>	<input type="checkbox"/>	<input type="checkbox"/>	<input type="checkbox"/>	<input type="checkbox"/>	302.00#	\$ 5179	\$ 19	\$ 120
	A B C D E F G H I J K														

**HOW TO ORDER**

- Indicate the following information on order form:
- Quantity of each item.
  - Model number, including options. See "How To Build a Model Number".
  - Any special service required.

Note: • The  indicates that a choice is required.  
 • The absence of the  indicates that no choice is required.  
 • Alpha-numeric characters in place of  indicate that no other alternatives are available.

**HOW TO BUILD A MODEL NUMBER**

- A** Select basic model.
- B** Select armcap type.  
**PACBL** - Black poly armcap; add \$445  
**NAC** - No armcap  
**WAC** - Wood armcaps; add \$589
- C** Select power & location.  
**M1** - One power module; add \$248  
**NP** - No power
- D** Select glide.  
**GFT** - Felt glides  
**GPL** - Plastic glides  
 Glides adjust 7/8"
- E** Select base/leg finish.  
 Refer to the **Product Color Options** page in this price list.  
 Polished aluminum base/leg requires an upcharge. See FINISH INFORMATION.

- F** Select armcap finish.  
 Refer to the **Product Color Options** page in this price list.
- G** Select power module color.  
**WPBL** - Black/Black power module  
**WPSL** - Silver/White power module  
**WPWH** - White/white power module
- H** Select upholstery grade/color.  
 Refer to [ki.com/fabrics](http://ki.com/fabrics).  
 • For yardage pricing, see Fabric Yardage Pricing page
- I** Select thread color.  
 Refer to the **Product Color Options** page in this price list.
- J** Select laminate table finish.  
 Refer to the **Product Color Options** page in this price list.
- K** Select 73P edge color.  
 Refer to the **Product Color Options** page in this price list.

**NOTE**

Ganging is not available on Zoetry product.  
  
 Zoety is offered in non-contrasting upholstery only, as standard.

**FINISH INFORMATION**

Polished Aluminum Upcharge:

Lounge Chair	
ZYLNCC	\$160
ZYLNBB	\$160
Lounge Loveseat	
ZYLNCC	\$200
ZYLNBB	\$200
ZYLNBC	\$200
ZYLNCB	\$200
Tandem Lounge Loveseat	
ZYLACC	\$200
ZYLABB	\$200
ZYLABC	\$200
ZYLACB	\$200

Lounge Sofa	
ZYLNCCC	\$320
ZYLNWC	\$320
ZYLNWBW	\$320
ZYLNWBC	\$320
ZYLNWB	\$320

Tandem Lounge Sofa	
ZYLACC	\$320
ZYLACBC	\$320
ZYLACB	\$320

Tandem Lounge Sofa with Table	
ZYLACRC	\$320
ZYLACTC	\$320
ZYLACSC	\$320
ZYLABRB	\$320
ZYLABTB	\$320
ZYLABSB	\$320
ZYLABRC	\$320
ZYLABTC	\$320
ZYLABSC	\$320
ZYLACRB	\$320
ZYLACTB	\$320
ZYLACSB	\$320

**Tandem Lounge Opposing Orientation Sofa**

ZYLACTCL	\$320
ZYLACTCR	\$320
ZYLACSC	\$320
ZYLACSCR	\$320
ZYLABTBL	\$320
ZYLABTBR	\$320
ZYLABSBL	\$320
ZYLABSB	\$320
ZYLACTCL	\$320
ZYLACTCR	\$320
ZYLACSC	\$320

**FINISH INFORMATION**

**ADDITIONAL LAMINATE OFFERING**

KI offers laminates beyond those offered in the standard offering. Laminates that are currently available in the program can be viewed in KI product specification tools. Requests to add laminates to the program can be submitted via the product modification request process. Please note, requests to add laminates to the program must include the laminate manufacturers name, color/pattern number, and finish code. Edge options are limited to standard edge colors. If a matching edge is required, this will need to be requested thru the product modification request process and may be subject to additional costs. Due to varying manufacturing processes and quality issues with some laminates, some requests may be denied. Extended lead times and minimum order quantities may apply on orders containing special laminates. Contact the product modification team for questions or additional information regarding special laminates and pricing.

**SPECIAL SERVICES**

**Special Carton Marking**

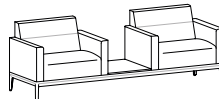
With specially marked information N/C

**Shipping**

Ships assembled, FOB High Point, NC 27263, freight prepaid. Freight class 250.

Specifications and prices are subject to change without prior notice.



MODEL	MODEL NUMBER									Approx. Packaged Weight	Delivered Pricing	
	Basic Model	Armcap Type	Power & Location	Glide Option	Base Finish	Armcap Finish	Power Color	Uph. Color	Thread Color			
 <p><b>Tandem Lounge Sofa, Bariatric/Solid Surface Table/Bariatric</b></p> <ul style="list-style-type: none"> <li>Fully upholstered, featuring 6" foam seat cushions</li> <li>8.5" die-cast aluminum leg</li> <li>Extruded aluminum base</li> <li>Stitching detail on back rest</li> <li>Debris clean-out spaces</li> <li>Field replaceable components</li> <li>Separating arms</li> <li>Power located in table surface, when power specified</li> <li>Corian® Solid Surface in-line table supports personal items</li> <li>Non-contrast COM = 11.25 yds</li> </ul> <p>Overall Dimensions: • W=98" D=28" H=32"</p>	ZYLBSB	□□□	□□□	□□	□□	□□□	□□	□□□	□□□	322.00#	\$ 5622	
	<b>A</b>	<b>B</b>	<b>C</b>	<b>D</b>	<b>E</b>	<b>F</b>	<b>G</b>	<b>H</b>	<b>I</b>			

ZYLA

**HOW TO ORDER**

Indicate the following information on order form:

- Quantity of each item.
- Model number, including options. See "How To Build a Model Number".
- Any special service required.

Note:

- The □ indicates that a choice is required.
- The absence of the □ indicates that no choice is required.
- Alpha-numeric characters in place of □ indicate that no other alternatives are available.

**HOW TO BUILD A MODEL NUMBER**

**A** Select basic model.

**B** Select armcap type.

<b>PACBL</b> - Black poly armcap; add \$445	<b>WPBL</b> - Black/Black power module
<b>WAC</b> - Wood armcaps; add \$589	<b>WPSL</b> - Silver/White power module
<b>NAC</b> - No armcap	<b>WPWH</b> - White/white power module

**C** Select power & location.

<b>M1</b> - One power module; add \$248	<b>H</b> Select upholstery grade/color. Refer to <a href="http://ki.com/fabrics">ki.com/fabrics</a> .
<b>NP</b> - No power	• For yardage pricing, see Fabric Yardage Pricing page

**D** Select glide.

<b>GFT</b> - Felt glides	<b>I</b> Select thread color. Refer to the <b>Product Color Options</b> page in this price list.
<b>GPL</b> - Plastic glides	

Glides adjust 7/8"

**E** Select base/leg finish. Refer to the **Product Color Options** page in this price list. Polished aluminum base/leg requires an upcharge. See FINISH INFORMATION.

**NOTE**

Solid surface color is always Corian® Glacier White. Corian® is a DuPont brand.

Ganging is not available on Zoetry product.

Zoety is offered in non-contrasting upholstery only, as standard.

**FINISH INFORMATION**

Polished Aluminum Upcharge:

Lounge Chair	
ZYLNC	\$160
ZYLNBB	\$160
Lounge Loveseat	
ZYLNCC	\$200
ZYLNBB	\$200
ZYLNBC	\$200
ZYLNCB	\$200
Tandem Lounge Loveseat	
ZYLACC	\$200
ZYLABB	\$200
ZYLABC	\$200
ZYLACB	\$200
Lounge Sofa	
ZYLNCCC	\$320
ZYLNWC	\$320
ZYLNWB	\$320
ZYLNWB	\$320
ZYLNWC	\$320
ZYLNWB	\$320

Tandem Lounge Sofa	
ZYLACCC	\$320
ZYLACBC	\$320
ZYLACB	\$320
Tandem Lounge Sofa with Table	
ZYLACRC	\$320
ZYLACTC	\$320
ZYLACSC	\$320
ZYLABRB	\$320
ZYLABTB	\$320
ZYLBSB	\$320
ZYLABRC	\$320
ZYLABTC	\$320
ZYLABSC	\$320
ZYLACRB	\$320
ZYLACTB	\$320
ZYLACSB	\$320
Tandem Lounge Opposing Orientation Sofa	
ZYLACTCL	\$320
ZYLACTCR	\$320
ZYLACSCCL	\$320
ZYLACSCR	\$320
ZYLACTBL	\$320

ZYLBTBR	\$320
ZYLBSBL	\$320
ZYLBSBR	\$320
ZYLBTCL	\$320
ZYLBTCL	\$320
ZYLBSCL	\$320
ZYLBSCL	\$320

**SPECIAL SERVICES**

**Special Carton Marking**

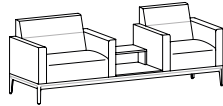
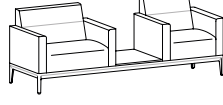
With specially marked information N/C

**Shipping**

Ships **assembled, FOB High Point, NC 27263, freight prepaid.** Freight class 250.

Specifications and prices are subject to change without prior notice.



MODEL	MODEL NUMBER											Approx. Packaged Weight	Delivered Pricing	Laminate Grade 2 add to list price	Laminate Grade 3 add to list price
	Basic Model	Arm-cap Type	Pwr & Loc	Glide Option	Base Finish	Arm-cap Finish	Power Color	Uph. Color	Thread Color	Table Finish	Edge Color (73P)				
 ZYLA <b>Tandem Lounge Sofa, Bariatric/Raised Table/Standard</b> • Fully upholstered, featuring 6" foam seat cushions • 8.5" die-cast aluminum leg • Extruded aluminum base • Stitching detail on back rest • Debris clean-out spaces • Field replaceable components • Separating arms • Power located in table surface, when power specified • Table features raised portion for easy access to personal items • Non-contrast COM = 9 yds Overall Dimensions: • W=90" D=28" H=32"	ZYLABRC	<input type="checkbox"/>	<input type="checkbox"/>	<input type="checkbox"/>	<input type="checkbox"/>	<input type="checkbox"/>	<input type="checkbox"/>	<input type="checkbox"/>	<input type="checkbox"/>	<input type="checkbox"/>	<input type="checkbox"/>	327.00#	\$ 5312	\$ 27	\$ 178
	ZYLABTC	<input type="checkbox"/>	<input type="checkbox"/>	<input type="checkbox"/>	<input type="checkbox"/>	<input type="checkbox"/>	<input type="checkbox"/>	<input type="checkbox"/>	<input type="checkbox"/>	<input type="checkbox"/>	<input type="checkbox"/>	<input type="checkbox"/>	287.00#	\$ 4869	\$ 19
 ZYLA <b>Tandem Lounge Sofa, Bariatric/Table/Standard</b> • Fully upholstered, featuring 6" foam seat cushions • 8.5" die-cast aluminum leg • Extruded aluminum base • Stitching detail on back rest • Debris clean-out spaces • Field replaceable components • Separating arms • Power located in table surface, when power specified • In-line table supports personal items • Non-contrast COM = 9 yds Overall Dimensions: • W=90" D=28" H=32"															

**HOW TO ORDER**

Indicate the following information on order form:

- Quantity of each item.
- Model number, including options. See "How To Build a Model Number".
- Any special service required.

Note:

- The  indicates that a choice is required.
- The absence of the  indicates that no choice is required.
- Alpha-numeric characters in place of  indicate that no other alternatives are available.

**HOW TO BUILD A MODEL NUMBER**

**A** Select basic model.

**B** Select armcap type.  
**PACBL** - Black poly armcap; add \$445  
**NAC** - No armcap  
**WAC** - Wood armcaps; add \$589

**C** Select power & location.  
**M1** - One power module; add \$248  
**NP** - No power

**D** Select glide.  
**GFT** - Felt glides  
**GPL** - Plastic glides  
 Glides adjust 7/8"

**E** Select base/leg finish.  
 Refer to the **Product Color Options** page in this price list.  
 Polished aluminum base/leg requires an upcharge. See FINISH INFORMATION.

**F** Select armcap finish.  
 Refer to the **Product Color Options** page in this price list.

**G** Select power module color.  
**WPBL** - Black/Black power module  
**WPSL** - Silver/White power module  
**WPWH** - White/white power module

**H** Select upholstery grade/color.  
 Refer to [ki.com/fabrics](http://ki.com/fabrics).  
 • For yardage pricing, see Fabric Yardage Pricing page

**I** Select thread color.  
 Refer to the **Product Color Options** page in this price list.

**J** Select laminate table finish.  
 Refer to the **Product Color Options** page in this price list.

**K** Select 73P edge color.  
 Refer to the **Product Color Options** page in this price list.

**NOTE**  
 Ganging is not available on Zoetry product.

Zoety is offered in non-contrasting upholstery only, as standard.

**FINISH INFORMATION**  
 Polished Aluminum Upcharge:

Lounge Chair	
ZYLNCC	\$160
ZYLNBB	\$160
ZYLNBC	\$200
ZYLNCB	\$200

Lounge Loveseat

ZYLNCC	\$200
ZYLNBB	\$200
ZYLNBC	\$200
ZYLNCB	\$200

Tandem Lounge Loveseat

ZYLACC	\$200
ZYLABB	\$200
ZYLABC	\$200
ZYLACB	\$200

Lounge Sofa	
ZYLNCCC	\$320
ZYLNWC	\$320
ZYLNWBW	\$320
ZYLNWCW	\$320
ZYLNWB	\$320

Tandem Lounge Sofa

ZYLACC	\$320
ZYLACB	\$320
ZYLACB	\$320

Tandem Lounge Sofa with Table

ZYLACRC	\$320
ZYLACTC	\$320
ZYLACSC	\$320
ZYLABRB	\$320
ZYLABTB	\$320
ZYLABSB	\$320
ZYLABRC	\$320
ZYLABTC	\$320
ZYLABSC	\$320
ZYLACRB	\$320
ZYLACTB	\$320
ZYLACSB	\$320

Tandem Lounge Opposing Orientation Sofa

ZYLACTCL	\$320
ZYLACTCR	\$320
ZYLACSC	\$320
ZYLACSCR	\$320
ZYLACTBL	\$320
ZYLACTBR	\$320
ZYLABSBL	\$320
ZYLABSBR	\$320
ZYLACTCL	\$320
ZYLACTCR	\$320
ZYLACSC	\$320
ZYLACSCR	\$320

**FINISH INFORMATION**

ADDITIONAL LAMINATE OFFERING

KI offers laminates beyond those offered in the standard offering. Laminates that are currently available in the program can be viewed in KI product specification tools. Requests to add laminates to the program can be submitted via the product modification request process. Please note, requests to add laminates to the program must include the laminate manufacturers name, color/pattern number, and finish code. Edge options are limited to standard edge colors. If a matching edge is required, this will need to be requested thru the product modification request process and may be subject to additional costs. Due to varying manufacturing processes and quality issues with some laminates, some requests may be denied. Extended lead times and minimum order quantities may apply on orders containing special laminates. Contact the product modification team for questions or additional information regarding special laminates and pricing.

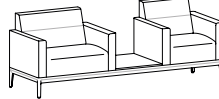
**SPECIAL SERVICES**

**Special Carton Marking**  
 With specially marked information N/C

**Shipping**  
 Ships assembled, FOB High Point, NC 27263, freight prepaid. Freight class 250.

Specifications and prices are subject to change without prior notice.



MODEL	MODEL NUMBER									Approx. Packaged Weight	Delivered Pricing	
	Basic Model	Armcap Type	Power & Location	Glide Option	Base Finish	Armcap Finish	Power Color	Uph. Color	Thread Color			
 <p><b>Tandem Lounge Sofa, Bariatric/Solid Surface Table/Standard</b></p> <ul style="list-style-type: none"> <li>Fully upholstered, featuring 6" foam seat cushions</li> <li>8.5" die-cast aluminum leg</li> <li>Extruded aluminum base</li> <li>Stitching detail on back rest</li> <li>Debris clean-out spaces</li> <li>Field replaceable components</li> <li>Separating arms</li> <li>Power located in table surface, when power specified</li> <li>Corian® Solid Surface in-line table supports personal items</li> <li>Non-contrast COM = 9 yds</li> </ul> <p>Overall Dimensions: • W=90" D=28" H=32"</p>	ZYLABSC	□□□	□□□□	□□	□□	□□□□	□□	□□□□	□□□□	307.00#	\$ 5312	

ZYLA

**HOW TO ORDER**

Indicate the following information on order form:

- Quantity of each item.
- Model number, including options. See "How To Build a Model Number".
- Any special service required.

Note:

- The □ indicates that a choice is required.
- The absence of the □ indicates that no choice is required.
- Alpha-numeric characters in place of □ indicate that no other alternatives are available.

**HOW TO BUILD A MODEL NUMBER**

**A** Select basic model.

**B** Select armcap type.

**NAC** - No armcap  
**PACBL** - Black poly armcap; add \$445  
**WAC** - Wood armcaps; add \$589

**C** Select power & location.

**M1** - One power module; add \$248  
**NP** - No power

**D** Select glide.

**GFT** - Felt glides  
**GPL** - Plastic glides  
 Glides adjust 7/8"

**E** Select base/leg finish.  
 Refer to the **Product Color Options** page in this price list.  
 Polished aluminum base/leg requires an upcharge. See FINISH INFORMATION.

**F** Select armcap finish.  
 Refer to the **Product Color Options** page in this price list.

**G** Select power module color.

**WPBL** - Black/Black power module  
**WPSL** - Silver/White power module  
**WPWH** - White/white power module

**H** Select upholstery grade/color.  
 Refer to **ki.com/fabrics**.  
 • For yardage pricing, see Fabric Yardage Pricing page

**I** Select thread color.  
 Refer to the **Product Color Options** page in this price list.

**NOTE**

Solid surface color is always Corian® Glacier White.  
 Corian® is a DuPont brand.

Ganging is not available on Zoetry product.

Zoety is offered in non-contrasting upholstery only, as standard.

**FINISH INFORMATION**

Polished Aluminum Upcharge:

Lounge Chair	
ZYLNC	\$160
ZYLNBB	\$160
ZYLNB	\$160

Lounge Loveseat	
ZYLNCC	\$200
ZYLNBB	\$200
ZYLNBC	\$200
ZYLNCB	\$200

Tandem Lounge Loveseat	
ZYLACC	\$200
ZYLABB	\$200
ZYLABC	\$200
ZYLACB	\$200

Lounge Sofa	
ZYLNCCC	\$320
ZYLNWC	\$320
ZYLNWBW	\$320
ZYLNWC	\$320
ZYLNWBW	\$320

Tandem Lounge Sofa	
ZYLACCC	\$320
ZYLACBC	\$320
ZYLACB	\$320

Tandem Lounge Sofa with Table	
ZYLACRC	\$320
ZYLACTC	\$320
ZYLACSC	\$320
ZYLABRB	\$320
ZYLABTB	\$320
ZYLABSB	\$320
ZYLABRC	\$320
ZYLABTC	\$320
ZYLABSC	\$320
ZYLACRB	\$320
ZYLACTB	\$320
ZYLACSB	\$320

Tandem Lounge Opposing Orientation Sofa	
ZYLACTCL	\$320
ZYLACTCR	\$320
ZYLACSCCL	\$320
ZYLACSCR	\$320
ZYLACTBL	\$320

ZYLABTBR	\$320
ZYLABSBL	\$320
ZYLABSBR	\$320
ZYLABTCL	\$320
ZYLABTCL	\$320
ZYLABTCL	\$320
ZYLABTCL	\$320

**SPECIAL SERVICES**

**Special Carton Marking**

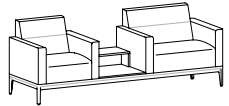
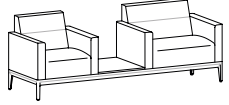
With specially marked information N/C

**Shipping**

Ships **assembled, FOB High Point, NC 27263, freight prepaid.** Freight class 250.

Specifications and prices are subject to change without prior notice.



MODEL	MODEL NUMBER											Approx. Packaged Weight	Delivered Pricing	Laminate Grade 2 add to list price	Laminate Grade 3 add to list price
	Basic Model	Arm-cap Type	Pwr & Loc	Glide Option	Base Finish	Arm-cap Finish	Power Color	Uph. Color	Thread Color	Table Finish	Edge Color (73P)				
 ZYLA <b>Tandem Lounge Sofa, Standard/Raised Table/Bariatric</b> • Fully upholstered, featuring 6" foam seat cushions • 8.5" die-cast aluminum leg • Extruded aluminum base • Stitching detail on back rest • Debris clean-out spaces • Field replaceable components • Separating arms • Power located in table surface, when power specified • Table features raised portion for easy access to personal items • Non-contrast COM = 9 yds Overall Dimensions: • W=90" D=28" H=32"	ZYLACRB	<input type="checkbox"/>	<input type="checkbox"/>	<input type="checkbox"/>	<input type="checkbox"/>	<input type="checkbox"/>	<input type="checkbox"/>	<input type="checkbox"/>	<input type="checkbox"/>	<input type="checkbox"/>	<input type="checkbox"/>	287.00#	\$ 5312	\$ 27	\$ 178
	ZYLACTB														
 ZYLA <b>Tandem Lounge Sofa, Standard/Table/Bariatric</b> • Fully upholstered, featuring 6" foam seat cushions • 8.5" die-cast aluminum leg • Extruded aluminum base • Stitching detail on back rest • Debris clean-out spaces • Field replaceable components • Separating arms • Power located in table surface, when power specified • In-line table supports personal items • Non-contrast COM = 9 yds Overall Dimensions: • W=90" D=28" H=32"	ZYLACTB	<input type="checkbox"/>	<input type="checkbox"/>	<input type="checkbox"/>	<input type="checkbox"/>	<input type="checkbox"/>	<input type="checkbox"/>	<input type="checkbox"/>	<input type="checkbox"/>	<input type="checkbox"/>	<input type="checkbox"/>	285.00#	\$ 4869	\$ 19	\$ 120
	ZYLACTB														

**A B C D E F G H I J K**

**HOW TO ORDER**

- Indicate the following information on order form:
- Quantity of each item.
  - Model number, including options. See "How To Build a Model Number".
  - Any special service required.

Note:

- The  indicates that a choice is required.
- The absence of the  indicates that no choice is required.
- Alpha-numeric characters in place of  indicate that no other alternatives are available.

**HOW TO BUILD A MODEL NUMBER**

- A** Select basic model.
- B** Select armcap type.
 

<b>PACBL</b>	- Black poly armcap; add \$445
<b>NAC</b>	- No armcap
<b>WAC</b>	- Wood armcaps; add \$589
- C** Select power & location.
 

<b>M1</b>	- One power module; add \$248
<b>NP</b>	- No power
- D** Select glide.
 

<b>GFT</b>	- Felt glides
<b>GPL</b>	- Plastic glides

 Glides adjust 7/8"
- E** Select base/leg finish. Refer to the **Product Color Options** page in this price list. Polished aluminum base/leg requires an upcharge. See FINISH INFORMATION.

- F** Select armcap finish. Refer to the **Product Color Options** page in this price list.
- G** Select power module color.
 

<b>WPBL</b>	- Black/Black power module
<b>WPSL</b>	- Silver/White power module
<b>WPWH</b>	- White/white power module
- H** Select upholstery grade/color. Refer to [ki.com/fabrics](http://ki.com/fabrics).  
• For yardage pricing, see Fabric Yardage Pricing page
- I** Select thread color. Refer to the **Product Color Options** page in this price list.
- J** Select laminate table finish. Refer to the **Product Color Options** page in this price list.
- K** Select 73P edge color. Refer to the **Product Color Options** page in this price list.

**NOTE**

Ganging is not available on Zoetry product.  
  
Zoety is offered in non-contrasting upholstery only, as standard.

**FINISH INFORMATION**

Polished Aluminum Upcharge:

Lounge Chair	
ZYLNC	\$160
ZYLNBB	\$160

Lounge Loveseat	
ZYLNCC	\$200
ZYLNBB	\$200
ZYLNBC	\$200
ZYLNCB	\$200

Tandem Lounge Loveseat	
ZYLACC	\$200
ZYLABB	\$200
ZYLABC	\$200
ZYLACB	\$200

Lounge Sofa	
ZYLNCCC	\$320
ZYLNWC	\$320
ZYLNWBW	\$320
ZYLNWCW	\$320
ZYLNWB	\$320

Tandem Lounge Sofa	
ZYLACC	\$320
ZYLACBC	\$320
ZYLACB	\$320

Tandem Lounge Sofa with Table	
ZYLACRC	\$320
ZYLACTC	\$320
ZYLACSC	\$320
ZYLABRB	\$320
ZYLABTB	\$320
ZYLABSB	\$320
ZYLABRC	\$320
ZYLABTC	\$320
ZYLABSC	\$320
ZYLACRB	\$320
ZYLACTB	\$320
ZYLACSB	\$320

**Tandem Lounge Opposing Orientation Sofa**

ZYLACTCL	\$320
ZYLACTCR	\$320
ZYLACSC	\$320
ZYLACSCR	\$320
ZYLACTBL	\$320
ZYLACTBR	\$320
ZYLABSBL	\$320
ZYLABSBR	\$320
ZYLACTCL	\$320
ZYLACTCR	\$320
ZYLACSC	\$320
ZYLACSCR	\$320

**FINISH INFORMATION**

**ADDITIONAL LAMINATE OFFERING**

KI offers laminates beyond those offered in the standard offering. Laminates that are currently available in the program can be viewed in KI product specification tools. Requests to add laminates to the program can be submitted via the product modification request process. Please note, requests to add laminates to the program must include the laminate manufacturers name, color/pattern number, and finish code. Edge options are limited to standard edge colors. If a matching edge is required, this will need to be requested thru the product modification request process and may be subject to additional costs. Due to varying manufacturing processes and quality issues with some laminates, some requests may be denied. Extended lead times and minimum order quantities may apply on orders containing special laminates. Contact the product modification team for questions or additional information regarding special laminates and pricing.

**SPECIAL SERVICES**

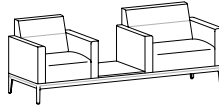
**Special Carton Marking**

With specially marked information N/C

**Shipping**  
Ships assembled, FOB High Point, NC 27263, freight prepaid. Freight class 250.

Specifications and prices are subject to change without prior notice.



MODEL	MODEL NUMBER									Approx. Packaged Weight	Delivered Pricing	
	Basic Model	Armcap Type	Power & Location	Glide Option	Base Finish	Armcap Finish	Power Color	Uph. Color	Thread Color			
 <p><b>Tandem Lounge Sofa, Standard/Solid Surface Table/Bariatric</b></p> <ul style="list-style-type: none"> <li>Fully upholstered, featuring 6" foam seat cushions</li> <li>8.5" die-cast aluminum leg</li> <li>Extruded aluminum base</li> <li>Stitching detail on back rest</li> <li>Debris clean-out spaces</li> <li>Field replaceable components</li> <li>Separating arms</li> <li>Power located in table surface, when power specified</li> <li>Corian® Solid Surface in-line table supports personal items</li> <li>Non-contrast COM = 9 yds</li> </ul> <p>Overall Dimensions: • W=90" D=28" H=32"</p>	ZYLACSB	□□□	□□□	□□	□□	□□□	□□	□□□	□□□	287.00#	\$ 5312	
	<b>A</b>	<b>B</b>	<b>C</b>	<b>D</b>	<b>E</b>	<b>F</b>	<b>G</b>	<b>H</b>	<b>I</b>			

ZYLA

**HOW TO ORDER**

Indicate the following information on order form:

- Quantity of each item.
- Model number, including options. See "How To Build a Model Number".
- Any special service required.

Note:

- The □ indicates that a choice is required.
- The absence of the □ indicates that no choice is required.
- Alpha-numeric characters in place of □ indicate that no other alternatives are available.

**HOW TO BUILD A MODEL NUMBER**

**A** Select basic model.

**B** Select armcap type.

<b>NAC</b>	- No armcap
<b>PACBL</b>	- Black poly armcap; add \$445
<b>WAC</b>	- Wood armcaps; add \$589

**C** Select power & location.

<b>M1</b>	- One power module; add \$248
<b>NP</b>	- No power

**D** Select glide.

<b>GFT</b>	- Felt glides
<b>GPL</b>	- Plastic glides

Glides adjust 7/8"

**E** Select base/leg finish. Refer to the **Product Color Options** page in this price list. Polished aluminum base/leg requires an upcharge. See FINISH INFORMATION.

**F** Select armcap finish. Refer to the **Product Color Options** page in this price list.

<b>WPBL</b>	- Black/Black power module
<b>WPSL</b>	- Silver/White power module
<b>WPWH</b>	- White/white power module

**G** Select power module color.

**H** Select upholstery grade/color. Refer to **ki.com/fabrics**.  
• For yardage pricing, see Fabric Yardage Pricing page

**I** Select thread color. Refer to the **Product Color Options** page in this price list.

**NOTE**

Solid surface color is always Corian® Glacier White. Corian® is a DuPont brand.

Ganging is not available on Zoetry product.

Zoety is offered in non-contrasting upholstery only, as standard.

**FINISH INFORMATION**

Polished Aluminum Upcharge:

Lounge Chair	
ZYLNC	\$160
ZYLNBB	\$160
ZYLNBC	\$200
ZYLNCB	\$200

Lounge Loveseat

ZYLNCC	\$200
ZYLNBB	\$200
ZYLNBC	\$200
ZYLNCB	\$200

Tandem Lounge Loveseat

ZYLACC	\$200
ZYLABB	\$200
ZYLABC	\$200
ZYLACB	\$200

Lounge Sofa

ZYLNCCC	\$320
ZYLNWC	\$320
ZYLNWBW	\$320
ZYLNWCW	\$320
ZYLNWBW	\$320
ZYLNWCW	\$320

Tandem Lounge Sofa

ZYLACCC	\$320
ZYLACBC	\$320
ZYLACB	\$320

Tandem Lounge Sofa with Table

ZYLACRC	\$320
ZYLACTC	\$320
ZYLACSC	\$320
ZYLABRB	\$320
ZYLABTB	\$320
ZYLABSB	\$320
ZYLABRC	\$320
ZYLABTC	\$320
ZYLABSC	\$320
ZYLACRB	\$320
ZYLACTB	\$320
ZYLACSB	\$320

ZYLABTBR	\$320
ZYLABSBL	\$320
ZYLABSBR	\$320
ZYLABTCL	\$320
ZYLABTCL	\$320
ZYLABTCL	\$320
ZYLABTCL	\$320
ZYLABTCL	\$320

Tandem Lounge Opposing Orientation Sofa

ZYLACTCL	\$320
ZYLACTCR	\$320
ZYLACSCCL	\$320
ZYLACSCR	\$320
ZYLACTBL	\$320

**SPECIAL SERVICES**

**Special Carton Marking**

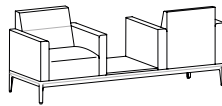
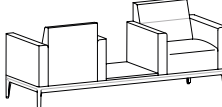
With specially marked information N/C

**Shipping**

Ships assembled, FOB High Point, NC 27263, freight prepaid. Freight class 250.

Specifications and prices are subject to change without prior notice.



MODEL	MODEL NUMBER											Approx. Packaged Weight	Delivered Pricing	Laminate Grade 2 add to list price	Laminate Grade 3 add to list price	
	Basic Model	Arm-cap Type	Pwr & Loc	Glide Option	Base Finish	Arm-cap Finish	Power Color	Uph. Color	Thread Color	Table Finish	Edge Color (73P)					
 <p><b>Lounge Opposing Orientation Sofa, Standard/Table/Standard, Left-facing</b></p> <ul style="list-style-type: none"> <li>Fully upholstered, featuring 6" molded foam seat cushions</li> <li>8.5" die-cast aluminum leg</li> <li>Extruded aluminum base</li> <li>Stitching detail on back rest</li> <li>Debris clean-out spaces</li> <li>Field replaceable components</li> <li>Separating arms</li> <li>Power located in table surface, when power specified</li> <li>In-line table supports personal items</li> <li>Opposing orientation maximizes space utilization while creating separate lines of sight</li> <li>Non-contrast COM = 8.25 yds</li> </ul> <p>Overall Dimensions: • W=82" D=28" H=32"</p>	ZYLACTCL	<input type="checkbox"/>	<input type="checkbox"/>	<input type="checkbox"/>	<input type="checkbox"/>	<input type="checkbox"/>	<input type="checkbox"/>	<input type="checkbox"/>	<input type="checkbox"/>	<input type="checkbox"/>	<input type="checkbox"/>	262.00#	\$ 4349	\$ 19	\$ 120	
 <p><b>Lounge Opposing Orientation Sofa, Standard/Table/Standard, Right-facing</b></p> <ul style="list-style-type: none"> <li>Fully upholstered, featuring 6" molded foam seat cushions</li> <li>8.5" die-cast aluminum leg</li> <li>Extruded aluminum base</li> <li>Stitching detail on back rest</li> <li>Debris clean-out spaces</li> <li>Field replaceable components</li> <li>Separating arms</li> <li>Power located in table surface, when power specified</li> <li>In-line table supports personal items</li> <li>Opposing orientation maximizes space utilization while creating separate lines of sight</li> <li>Non-contrast COM = 8.25 yds</li> </ul> <p>Overall Dimensions: • W=82" D=28" H=32"</p>	ZYLACTCR	<input type="checkbox"/>	<input type="checkbox"/>	<input type="checkbox"/>	<input type="checkbox"/>	<input type="checkbox"/>	<input type="checkbox"/>	<input type="checkbox"/>	<input type="checkbox"/>	<input type="checkbox"/>	<input type="checkbox"/>	262.00#	\$ 4349	\$ 19	\$ 120	

**HOW TO ORDER**

Indicate the following information on order form:

- Quantity of each item.
- Model number, including options. See "How To Build a Model Number".
- Any special service required.

Note:

- The  indicates that a choice is required.
- The absence of the  indicates that no choice is required.
- Alpha-numeric characters in place of  indicate that no other alternatives are available.

**HOW TO BUILD A MODEL NUMBER**

**A** Select basic model.

**B** Select armcap type.

**PACBL** - Black poly armcap; add \$445  
**NAC** - No armcap  
**WAC** - Wood armcaps; add \$589

**C** Select power & location.

**M1** - One power module; add \$248  
**NP** - No power

**D** Select glide.

**GFT** - Felt glides  
**GPL** - Plastic glides  
 Glides adjust 7/8"

**E** Select base/leg finish.

Refer to the **Product Color Options** page in this price list.  
 Polished aluminum base/leg requires an upcharge. See FINISH INFORMATION.

**F** Select armcap finish.

Refer to the **Product Color Options** page in this price list.

**G** Select power module color.

**WPBL** - Black/Black power module  
**WPSL** - Silver/White power module  
**WPHW** - White/white power module

**H** Select upholstery grade/color.

Refer to [ki.com/fabrics](http://ki.com/fabrics).  
 • For yardage pricing, see Fabric Yardage Pricing page

**I** Select thread color.

Refer to the **Product Color Options** page in this price list.

**J** Select laminate table finish.

Refer to the **Product Color Options** page in this price list.

**K** Select 73P edge color.

Refer to the **Product Color Options** page in this price list.

**NOTE**

Ganging is not available on Zoetry product.

Zoety is offered in non-contrasting upholstery only, as standard.

**FINISH INFORMATION**

Polished Aluminum Upcharge:

Lounge Chair  
 ZYLNCC \$160  
 ZYLNBB \$160

Lounge Loveseat  
 ZYLNCC \$200  
 ZYLNBB \$200  
 ZYLNBC \$200  
 ZYLNCB \$200

Tandem Lounge Loveseat  
 ZYLACC \$200  
 ZYLABB \$200  
 ZYLABC \$200  
 ZYLACB \$200

Lounge Sofa

ZYLNCCC \$320  
 ZYLNCCW \$320  
 ZYLNBBW \$320  
 ZYLNBCW \$320  
 ZYLNCCWB \$320

Tandem Lounge Sofa

ZYLACCC \$320  
 ZYLACBC \$320  
 ZYLACCB \$320

Tandem Lounge Sofa with Table

ZYLACRC \$320  
 ZYLACTC \$320  
 ZYLACSC \$320  
 ZYLABRB \$320  
 ZYLABTB \$320  
 ZYLABSB \$320  
 ZYLABRC \$320  
 ZYLABTC \$320  
 ZYLABSC \$320  
 ZYLACRB \$320  
 ZYLACTB \$320  
 ZYLACSB \$320

Tandem Lounge Opposing Orientation Sofa

ZYLACTCL \$320  
 ZYLACTCR \$320  
 ZYLACSCCL \$320  
 ZYLACSCCR \$320  
 ZYLABTBL \$320  
 ZYLABTBTR \$320  
 ZYLABSBL \$320  
 ZYLABSBR \$320  
 ZYLABTCL \$320  
 ZYLABTCR \$320  
 ZYLABSCCL \$320  
 ZYLABSCCR \$320

**FINISH INFORMATION**

ADDITIONAL LAMINATE OFFERING

KI offers laminates beyond those offered in the standard offering. Laminates that are currently available in the program can be viewed in KI product specification tools. Requests to add laminates to the program can be submitted via the product modification request process. Please note, requests to add laminates to the program must include the laminate manufacturers name, color/pattern number, and finish code. Edge options are limited to standard edge colors. If a matching edge is required, this will need to be requested thru the product modification request process and may be subject to additional costs. Due to varying manufacturing processes and quality issues with some laminates, some requests may be denied. Extended lead times and minimum order quantities may apply on orders containing special laminates. Contact the product modification team for questions or additional information regarding special laminates and pricing.

**SPECIAL SERVICES**

**Special Carton Marking**

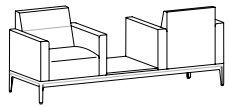
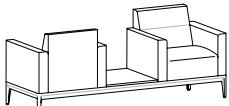
With specially marked information N/C

**Shipping**

Ships **assembled, FOB High Point, NC 27263, freight prepaid.** Freight class 250.

Specifications and prices are subject to change without prior notice.



MODEL	MODEL NUMBER									Approx. Packaged Weight	Delivered Pricing
	Basic Model	Armcap Type	Power & Location	Glide Option	Base Finish	Armcap Finish	Power Color	Uph. Color	Thread Color		
 <p><b>Zoetry Lounge Opposing Orientation Sofa, Standard/Solid Surface Table/Standard, Left-facing</b></p> <ul style="list-style-type: none"> <li>Fully upholstered, featuring 6" molded foam seat cushions</li> <li>8.5" die-cast aluminum leg</li> <li>Extruded aluminum base</li> <li>Stitching detail on back rest</li> <li>Debris clean-out spaces</li> <li>Field replaceable components</li> <li>Separating arms</li> <li>Power located in table surface, when power specified</li> <li>Corian® Solide Surface in-line table supports personal items</li> <li>Opposing orientation maximizes space utilization while creating separate lines of sight</li> <li>Non-contrast COM = 8.25 yds</li> <li>Overall Dimensions: W=82" D=28" H=32"</li> </ul>	ZYLACSL	□□□	□□□	□□	□□	□□□	□□	□□□	□□□	271.00#	\$ 4791
 <p><b>Zoetry Lounge Opposing Orientation Sofa, Standard/Solid Surface Table/Standard, Right-facing</b></p> <ul style="list-style-type: none"> <li>Fully upholstered, featuring 6" molded foam seat cushions</li> <li>8.5" die-cast aluminum leg</li> <li>Extruded aluminum base</li> <li>Stitching detail on back rest</li> <li>Debris clean-out spaces</li> <li>Field replaceable components</li> <li>Separating arms</li> <li>Power located in table surface, when power specified</li> <li>Corian® Solide Surface in-line table supports personal items</li> <li>Opposing orientation maximizes space utilization while creating separate lines of sight</li> <li>Non-contrast COM = 8.25 yds</li> <li>Overall Dimensions: W=82" D=28" H=32"</li> </ul>	ZYLACSR	□□□	□□□	□□	□□	□□□	□□	□□□	□□□	271.00#	\$ 4791

**HOW TO ORDER**

- Indicate the following information on order form:
- Quantity of each item.
  - Model number, including options. See "How To Build a Model Number".
  - Any special service required.

Note: • The □ indicates that a choice is required.  
• The absence of the □ indicates that no choice is required.  
• Alpha-numeric characters in place of □ indicate that no other alternatives are available.

**HOW TO BUILD A MODEL NUMBER**

- A** Select basic model.
- B** Select armcap type.
  - NAC** - No armcap
  - PACBL** - Black poly armcap; add \$445
  - WAC** - Wood armcaps; add \$589
- C** Select power & location.
  - M1** - One power module; add \$248
  - NP** - No power
- D** Select glide.
  - GFT** - Felt glides
  - GPL** - Plastic glides
  - Glides adjust 7/8"
- E** Select base/leg finish. Refer to the **Product Color Options** page in this price list. Polished aluminum base/leg requires an upcharge. See FINISH INFORMATION.
- F** Select armcap finish. Refer to the **Product Color Options** page in this price list.
  - WPBL** - Black/Black power module
  - WPSL** - Silver/White power module
  - WPWH** - White/white power module
- G** Select power module color.
- H** Select upholstery grade/color. Refer to **ki.com/fabrics**.
  - For yardage pricing, see Fabric Yardage Pricing page
- I** Select thread color. Refer to the **Product Color Options** page in this price list.

**NOTE**

Solid surface color is always Corian® Glacier White. Corian® is a DuPont brand.  
  
Ganging is not available on Zoetry product.  
  
Zoety is offered in non-contrasting upholstery only, as standard.

**FINISH INFORMATION**

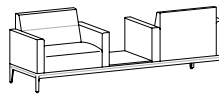
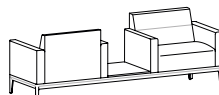
Polished Aluminum Upcharge:		Tandem Lounge Sofa		ZYLBTBR	\$320
Lounge Chair		ZYLACCC	\$320	ZYLABSBL	\$320
ZYLNCC	\$160	ZYLACBC	\$320	ZYLABSBR	\$320
ZYLNBB	\$160	ZYLACCB	\$320	ZYLBTCL	\$320
ZYLNBC	\$200	Tandem Lounge Sofa with Table		ZYLBTCL	\$320
ZYLNCB	\$200	ZYLACRC	\$320	ZYLBTCL	\$320
Lounge Loveseat		ZYLACTC	\$320	ZYLBTCL	\$320
ZYLNCC	\$200	ZYLACSC	\$320	ZYLBTCL	\$320
ZYLNBB	\$200	ZYLABRB	\$320	ZYLBTCL	\$320
ZYLNBC	\$200	ZYLABTB	\$320	ZYLBTCL	\$320
ZYLNCB	\$200	ZYLABSB	\$320	ZYLBTCL	\$320
Tandem Lounge Loveseat		ZYLABRC	\$320	ZYLBTCL	\$320
ZYLACC	\$200	ZYLABTC	\$320	ZYLBTCL	\$320
ZYLABB	\$200	ZYLABSC	\$320	ZYLBTCL	\$320
ZYLABC	\$200	ZYLACRB	\$320	ZYLBTCL	\$320
ZYLACB	\$200	ZYLACTB	\$320	ZYLBTCL	\$320
Lounge Sofa		ZYLACSB	\$320	ZYLBTCL	\$320
ZYLNCCC	\$320	Tandem Lounge Opposing Orientation Sofa		ZYLACTCL	\$320
ZYLNCCC	\$320	ZYLACTCR	\$320	ZYLACTCR	\$320
ZYLNBBB	\$320	ZYLACTCR	\$320	ZYLACTCR	\$320
ZYLNBBB	\$320	ZYLACTCR	\$320	ZYLACTCR	\$320
ZYLNBBB	\$320	ZYLACTCR	\$320	ZYLACTCR	\$320
ZYLNBBB	\$320	ZYLACTCR	\$320	ZYLACTCR	\$320
ZYLNBBB	\$320	ZYLACTCR	\$320	ZYLACTCR	\$320

**SPECIAL SERVICES**

**Special Carton Marking**  
With specially marked information N/C

**Shipping**  
Ships assembled, FOB High Point, NC 27263, freight prepaid. Freight class 250.  
  
Specifications and prices are subject to change without prior notice.



MODEL	MODEL NUMBER											Approx. Packaged Weight	Delivered Pricing	Laminate Grade 2 add to list price	Laminate Grade 3 add to list price	
	Basic Model	Arm-cap Type	Power & Location	Glide Option	Base Finish	Arm-cap Finish	Power Color	Uph. Color	Thread Color	Table Finish	Edge Color (73P)					
 <p><b>Lounge Opposing Orientation Sofa, Bariatric/Table/Bariatric, Left-facing</b></p> <ul style="list-style-type: none"> <li>Fully upholstered, featuring 6" foam seat cushions</li> <li>8.5" die-cast aluminum leg</li> <li>Extruded aluminum base</li> <li>Stitching detail on back rest</li> <li>Debris clean-out spaces</li> <li>Field replaceable components</li> <li>Separating arms</li> <li>Power located in table surface, when power specified</li> <li>In-line table supports personal items</li> <li>Opposing orientation maximizes space utilization while creating separate lines of sight</li> <li>Non-contrast COM = 11.25 yds</li> </ul> <p>Overall Dimensions: • W=98" D=28" H=32"</p>	ZYLABTBL	<input type="checkbox"/>	<input type="checkbox"/>	<input type="checkbox"/>	<input type="checkbox"/>	<input type="checkbox"/>	<input type="checkbox"/>	<input type="checkbox"/>	<input type="checkbox"/>	<input type="checkbox"/>	<input type="checkbox"/>	302.00#	\$ 5179	\$ 19	\$ 120	
 <p><b>Zoetry Lounge Opposing Orientation Sofa, Bariatric/Table/Bariatric, Right-facing</b></p> <ul style="list-style-type: none"> <li>Fully upholstered, featuring 6" foam seat cushions</li> <li>8.5" die-cast aluminum leg</li> <li>Extruded aluminum base</li> <li>Stitching detail on back rest</li> <li>Debris clean-out spaces</li> <li>Field replaceable components</li> <li>Separating arms</li> <li>Power located in table surface, when power specified</li> <li>In-line table supports personal items</li> <li>Opposing orientation maximizes space utilization while creating separate lines of sight</li> <li>Non-contrast COM = 11.25 yds</li> </ul> <p>Overall Dimensions: • W=98" D=28" H=32"</p>	ZYLABTBR	<input type="checkbox"/>	<input type="checkbox"/>	<input type="checkbox"/>	<input type="checkbox"/>	<input type="checkbox"/>	<input type="checkbox"/>	<input type="checkbox"/>	<input type="checkbox"/>	<input type="checkbox"/>	<input type="checkbox"/>	302.00#	\$ 5179	\$ 19	\$ 120	

**HOW TO ORDER**

Indicate the following information on order form:  
 1. Quantity of each item.  
 2. Model number, including options. See "How To Build a Model Number".  
 3. Any special service required.

Note: • The  indicates that a choice is required.  
 • The absence of the  indicates that no choice is required.  
 • Alpha-numeric characters in place of  indicate that no other alternatives are available.

**HOW TO BUILD A MODEL NUMBER**

- A** Select basic model.
- B** Select armcap type.  

<b>PACBL</b>	- Black poly armcap; add \$445
<b>NAC</b>	- No armcap
<b>WAC</b>	- Wood armcaps; add \$589
- C** Select power & location.  

<b>M1</b>	- One power module; add \$248
<b>NP</b>	- No power
- D** Select glide.  

<b>GFT</b>	- Felt glides
<b>GPL</b>	- Plastic glides

 Glides adjust 7/8"
- E** Select base/leg finish.  
 Refer to the **Product Color Options** page in this price list.  
 Polished aluminum base/leg requires an upcharge. See FINISH INFORMATION.

- F** Select armcap finish.  
 Refer to the **Product Color Options** page in this price list.
- G** Select power module color.  

<b>WPBL</b>	- Black/Black power module
<b>WPSL</b>	- Silver/White power module
<b>WPHW</b>	- White/white power module
- H** Select upholstery grade/color.  
 Refer to [ki.com/fabrics](http://ki.com/fabrics).  
 • For yardage pricing, see Fabric Yardage Pricing page
- I** Select thread color.  
 Refer to the **Product Color Options** page in this price list.
- J** Select laminate table finish.  
 Refer to the **Product Color Options** page in this price list.
- K** Select 73P edge color.  
 Refer to the **Product Color Options** page in this price list.

**NOTE**

Ganging is not available on Zoetry product.  
  
 Zoety is offered in non-contrasting upholstery only, as standard.

**FINISH INFORMATION**

Polished Aluminum Upcharge:

Lounge Chair	
ZYLNCC	\$160
ZYLNBB	\$160
ZYLNBC	\$200
ZYLNCCB	\$200
Lounge Loveseat	
ZYLNCC	\$200
ZYLNBB	\$200
ZYLNBC	\$200
ZYLNCCB	\$200
Tandem Lounge Loveseat	
ZYLACC	\$200
ZYLABB	\$200
ZYLABC	\$200
ZYLACB	\$200

Lounge Sofa	
ZYLNCCC	\$320
ZYLNCCW	\$320
ZYLNBBW	\$320
ZYLNBBWC	\$320
ZYLNCCWB	\$320
Tandem Lounge Sofa	
ZYLACCC	\$320
ZYLACBC	\$320
ZYLACCB	\$320
Tandem Lounge Sofa with Table	
ZYLACRC	\$320
ZYLACTC	\$320
ZYLACSC	\$320
ZYLABRB	\$320
ZYLABTB	\$320
ZYLABSB	\$320
ZYLABRC	\$320
ZYLABTC	\$320
ZYLABSC	\$320
ZYLACRB	\$320
ZYLACTB	\$320
ZYLACSB	\$320

Tandem Lounge Opposing Orientation Sofa	
ZYLACTCL	\$320
ZYLACTCR	\$320
ZYLACSCL	\$320
ZYLACSCR	\$320
ZYLABTBL	\$320
ZYLABTBR	\$320
ZYLABSBL	\$320
ZYLABSBR	\$320
ZYLABTCL	\$320
ZYLABTCR	\$320
ZYLABSCL	\$320
ZYLABSCR	\$320

**FINISH INFORMATION**

ADDITIONAL LAMINATE OFFERING

KI offers laminates beyond those offered in the standard offering. Laminates that are currently available in the program can be viewed in KI product specification tools. Requests to add laminates to the program can be submitted via the product modification request process. Please note, requests to add laminates to the program must include the laminate manufacturers name, color/pattern number, and finish code. Edge options are limited to standard edge colors. If a matching edge is required, this will need to be requested thru the product modification request process and may be subject to additional costs. Due to varying manufacturing processes and quality issues with some laminates, some requests may be denied. Extended lead times and minimum order quantities may apply on orders containing special laminates. Contact the product modification team for questions or additional information regarding special laminates and pricing.

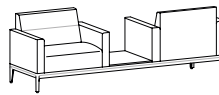
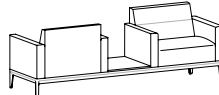
**SPECIAL SERVICES**

**Special Carton Marking**  
 With specially marked information N/C

**Shipping**  
 Ships **assembled, FOB High Point, NC 27263, freight prepaid.** Freight class 250.

Specifications and prices are subject to change without prior notice.



MODEL	MODEL NUMBER									Approx. Packaged Weight	Delivered Pricing	
	Basic Model	Armcap Type	Power & Location	Glide Option	Base Finish	Armcap Finish	Power Color	Uph. Color	Thread Color			
 <p><b>Lounge Opposing Orientation Sofa, Bariatric/Solid Surface Table/Bariatric, Left-facing</b></p> <ul style="list-style-type: none"> <li>Fully upholstered, featuring 6" foam seat cushions</li> <li>8.5" die-cast aluminum leg</li> <li>Extruded aluminum base</li> <li>Stitching detail on back rest</li> <li>Debris clean-out spaces</li> <li>Field replaceable components</li> <li>Separating arms</li> <li>Power located in table surface, when power specified</li> <li>Corian® Solide Surface in-line table supports personal items</li> <li>Opposing orientation maximizes space utilization while creating separate lines of sight</li> <li>Non-contrast COM = 11.25 yds</li> </ul> <p>Overall Dimensions: • W=98" D=28" H=32"</p>	ZYLABSBL	□□□	□□□	□□	□□	□□□	□□	□□□	□□□	322.00#	\$ 5622	
 <p><b>Lounge Opposing Orientation Sofa, Bariatric/Solid Surface Table/Bariatric, Right-facing</b></p> <ul style="list-style-type: none"> <li>Fully upholstered, featuring 6" foam seat cushions</li> <li>8.5" die-cast aluminum leg</li> <li>Extruded aluminum base</li> <li>Stitching detail on back rest</li> <li>Debris clean-out spaces</li> <li>Field replaceable components</li> <li>Separating arms</li> <li>Power located in table surface, when power specified</li> <li>Corian® Solide Surface in-line table supports personal items</li> <li>Opposing orientation maximizes space utilization while creating separate lines of sight</li> <li>Non-contrast COM = 11.25 yds</li> </ul> <p>Overall Dimensions: • W=98" D=28" H=32"</p>	ZYLABSBR	□□□	□□□	□□	□□	□□□	□□	□□□	□□□	322.00#	\$ 5622	

**HOW TO ORDER**

Indicate the following information on order form:

- Quantity of each item.
- Model number, including options. See "How To Build a Model Number".
- Any special service required.

Note: • The □ indicates that a choice is required.

- The absence of the □ indicates that no choice is required.
- Alpha-numeric characters in place of □ indicate that no other alternatives are available.

**HOW TO BUILD A MODEL NUMBER**

**A** Select basic model.

**B** Select armcap type.

<b>PACBL</b>	- Black poly armcap; add \$445
<b>NAC</b>	- No armcap
<b>WAC</b>	- Wood armcaps; add \$589

**C** Select power & location.

<b>M1</b>	- One power module; add \$248
<b>NP</b>	- No power

**D** Select glide.

<b>GFT</b>	- Felt glides
<b>GPL</b>	- Plastic glides

Glides adjust 7/8"

**E** Select base/leg finish.

Refer to the **Product Color Options** page in this price list.

Polished aluminum base/leg requires an upcharge. See FINISH INFORMATION.

**F** Select armcap finish.

Refer to the **Product Color Options** page in this price list.

**G** Select power module color.

<b>WPBL</b>	- Black/Black power module
<b>WPSL</b>	- Silver/White power module
<b>WPWH</b>	- White/white power module

**H** Select upholstery grade/color.

Refer to **ki.com/fabrics**.

- For yardage pricing, see Fabric Yardage Pricing page

**I** Select thread color.

Refer to the **Product Color Options** page in this price list.

**NOTE**

Solid surface color is always Corian® Glacier White.

Corian® is a DuPont brand.

Ganging is not available on Zoetry product.

Zoety is offered in non-contrasting upholstery only, as standard.

**FINISH INFORMATION**

Polished Aluminum Upcharge:

Lounge Chair	
ZYLNCC	\$160
ZYLNBB	\$160
Lounge Loveseat	
ZYLNCC	\$200
ZYLNBB	\$200
ZYLNBC	\$200
ZYLNCB	\$200
Tandem Lounge Loveseat	
ZYLACC	\$200
ZYLABB	\$200
ZYLABC	\$200
ZYLACB	\$200
Lounge Sofa	
ZYLNCCC	\$320
ZYLNCCC	\$320
ZYLNBBB	\$320
ZYLNBBB	\$320
ZYLNBCB	\$320
ZYLNBCB	\$320

Tandem Lounge Sofa	
ZYLACCC	\$320
ZYLACBC	\$320
ZYLACBB	\$320
Tandem Lounge Sofa with Table	
ZYLACRC	\$320
ZYLACTC	\$320
ZYLACSC	\$320
ZYLABRB	\$320
ZYLABTB	\$320
ZYLABSB	\$320
ZYLABRC	\$320
ZYLABTC	\$320
ZYLABSC	\$320
ZYLACRB	\$320
ZYLACTB	\$320
ZYLACSB	\$320
Tandem Lounge Opposing Orientation Sofa	
ZYLACTCL	\$320
ZYLACTCR	\$320
ZYLACSCCL	\$320
ZYLACSCR	\$320
ZYLACTBL	\$320

ZYLABTBR	\$320
ZYLABSBL	\$320
ZYLABSBR	\$320
ZYLABTCL	\$320
ZYLABTBR	\$320
ZYLABTCL	\$320
ZYLABTCL	\$320
ZYLABTCL	\$320

**SPECIAL SERVICES**

**Special Carton Marking**

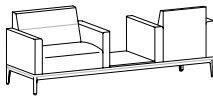
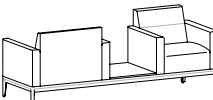
With specially marked information N/C

**Shipping**

Ships assembled, FOB High Point, NC 27263, freight prepaid. Freight class 250.

Specifications and prices are subject to change without prior notice.



MODEL	MODEL NUMBER											Approx. Packaged Weight	Delivered Pricing	Laminate Grade 2 add to list price	Laminate Grade 3 add to list price
	Basic Model	Arm-cap Type	Power & Location	Glide Option	Base Finish	Arm-cap Finish	Power Color	Uph. Color	Thread Color	Table Finish	Edge Color (73P)				
 <p><b>Lounge Opposing Orientation Sofa, Bariatric/Table/Standard, Left-facing</b></p> <ul style="list-style-type: none"> <li>Fully upholstered, featuring 6" foam seat cushions</li> <li>8.5" die-cast aluminum leg</li> <li>Extruded aluminum base</li> <li>Stitching detail on back rest</li> <li>Debris clean-out spaces</li> <li>Field replaceable components</li> <li>Separating arms</li> <li>Power located in table surface, when power specified</li> <li>In-line table supports personal items</li> <li>Opposing orientation maximizes space utilization while creating separate lines of sight</li> <li>Non-contrast COM = 9 yds</li> </ul> <p>Overall Dimensions: • W=90" D=28" H=32"</p>	ZYLABTCL	<input type="checkbox"/> <input type="checkbox"/> <input type="checkbox"/>	<input type="checkbox"/> <input type="checkbox"/> <input type="checkbox"/>	<input type="checkbox"/> <input type="checkbox"/>	<input type="checkbox"/> <input type="checkbox"/>	<input type="checkbox"/> <input type="checkbox"/> <input type="checkbox"/>	<input type="checkbox"/> <input type="checkbox"/>	<input type="checkbox"/> <input type="checkbox"/> <input type="checkbox"/>	<input type="checkbox"/> <input type="checkbox"/> <input type="checkbox"/>	<input type="checkbox"/> <input type="checkbox"/>	<input type="checkbox"/> <input type="checkbox"/>	287.00#	\$ 4869	\$ 19	\$ 120
	ZYLABTCL	<input type="checkbox"/> <input type="checkbox"/> <input type="checkbox"/>	<input type="checkbox"/> <input type="checkbox"/> <input type="checkbox"/>	<input type="checkbox"/> <input type="checkbox"/>	<input type="checkbox"/> <input type="checkbox"/>	<input type="checkbox"/> <input type="checkbox"/> <input type="checkbox"/>	<input type="checkbox"/> <input type="checkbox"/>	<input type="checkbox"/> <input type="checkbox"/> <input type="checkbox"/>	<input type="checkbox"/> <input type="checkbox"/> <input type="checkbox"/>	<input type="checkbox"/> <input type="checkbox"/>	<input type="checkbox"/> <input type="checkbox"/>				
	ZYLABTCL	<input type="checkbox"/> <input type="checkbox"/> <input type="checkbox"/>	<input type="checkbox"/> <input type="checkbox"/> <input type="checkbox"/>	<input type="checkbox"/> <input type="checkbox"/>	<input type="checkbox"/> <input type="checkbox"/>	<input type="checkbox"/> <input type="checkbox"/> <input type="checkbox"/>	<input type="checkbox"/> <input type="checkbox"/>	<input type="checkbox"/> <input type="checkbox"/> <input type="checkbox"/>	<input type="checkbox"/> <input type="checkbox"/> <input type="checkbox"/>	<input type="checkbox"/> <input type="checkbox"/>	<input type="checkbox"/> <input type="checkbox"/>				
	ZYLABTCL	<input type="checkbox"/> <input type="checkbox"/> <input type="checkbox"/>	<input type="checkbox"/> <input type="checkbox"/> <input type="checkbox"/>	<input type="checkbox"/> <input type="checkbox"/>	<input type="checkbox"/> <input type="checkbox"/>	<input type="checkbox"/> <input type="checkbox"/> <input type="checkbox"/>	<input type="checkbox"/> <input type="checkbox"/>	<input type="checkbox"/> <input type="checkbox"/> <input type="checkbox"/>	<input type="checkbox"/> <input type="checkbox"/> <input type="checkbox"/>	<input type="checkbox"/> <input type="checkbox"/>	<input type="checkbox"/> <input type="checkbox"/>				
	ZYLABTCL	<input type="checkbox"/> <input type="checkbox"/> <input type="checkbox"/>	<input type="checkbox"/> <input type="checkbox"/> <input type="checkbox"/>	<input type="checkbox"/> <input type="checkbox"/>	<input type="checkbox"/> <input type="checkbox"/>	<input type="checkbox"/> <input type="checkbox"/> <input type="checkbox"/>	<input type="checkbox"/> <input type="checkbox"/>	<input type="checkbox"/> <input type="checkbox"/> <input type="checkbox"/>	<input type="checkbox"/> <input type="checkbox"/> <input type="checkbox"/>	<input type="checkbox"/> <input type="checkbox"/>	<input type="checkbox"/> <input type="checkbox"/>				
	ZYLABTCL	<input type="checkbox"/> <input type="checkbox"/> <input type="checkbox"/>	<input type="checkbox"/> <input type="checkbox"/> <input type="checkbox"/>	<input type="checkbox"/> <input type="checkbox"/>	<input type="checkbox"/> <input type="checkbox"/>	<input type="checkbox"/> <input type="checkbox"/> <input type="checkbox"/>	<input type="checkbox"/> <input type="checkbox"/>	<input type="checkbox"/> <input type="checkbox"/> <input type="checkbox"/>	<input type="checkbox"/> <input type="checkbox"/> <input type="checkbox"/>	<input type="checkbox"/> <input type="checkbox"/>	<input type="checkbox"/> <input type="checkbox"/>				
	ZYLABTCL	<input type="checkbox"/> <input type="checkbox"/> <input type="checkbox"/>	<input type="checkbox"/> <input type="checkbox"/> <input type="checkbox"/>	<input type="checkbox"/> <input type="checkbox"/>	<input type="checkbox"/> <input type="checkbox"/>	<input type="checkbox"/> <input type="checkbox"/> <input type="checkbox"/>	<input type="checkbox"/> <input type="checkbox"/>	<input type="checkbox"/> <input type="checkbox"/> <input type="checkbox"/>	<input type="checkbox"/> <input type="checkbox"/> <input type="checkbox"/>	<input type="checkbox"/> <input type="checkbox"/>	<input type="checkbox"/> <input type="checkbox"/>				
	ZYLABTCL	<input type="checkbox"/> <input type="checkbox"/> <input type="checkbox"/>	<input type="checkbox"/> <input type="checkbox"/> <input type="checkbox"/>	<input type="checkbox"/> <input type="checkbox"/>	<input type="checkbox"/> <input type="checkbox"/>	<input type="checkbox"/> <input type="checkbox"/> <input type="checkbox"/>	<input type="checkbox"/> <input type="checkbox"/>	<input type="checkbox"/> <input type="checkbox"/> <input type="checkbox"/>	<input type="checkbox"/> <input type="checkbox"/> <input type="checkbox"/>	<input type="checkbox"/> <input type="checkbox"/>	<input type="checkbox"/> <input type="checkbox"/>				
	ZYLABTCL	<input type="checkbox"/> <input type="checkbox"/> <input type="checkbox"/>	<input type="checkbox"/> <input type="checkbox"/> <input type="checkbox"/>	<input type="checkbox"/> <input type="checkbox"/>	<input type="checkbox"/> <input type="checkbox"/>	<input type="checkbox"/> <input type="checkbox"/> <input type="checkbox"/>	<input type="checkbox"/> <input type="checkbox"/>	<input type="checkbox"/> <input type="checkbox"/> <input type="checkbox"/>	<input type="checkbox"/> <input type="checkbox"/> <input type="checkbox"/>	<input type="checkbox"/> <input type="checkbox"/>	<input type="checkbox"/> <input type="checkbox"/>				
	ZYLABTCL	<input type="checkbox"/> <input type="checkbox"/> <input type="checkbox"/>	<input type="checkbox"/> <input type="checkbox"/> <input type="checkbox"/>	<input type="checkbox"/> <input type="checkbox"/>	<input type="checkbox"/> <input type="checkbox"/>	<input type="checkbox"/> <input type="checkbox"/> <input type="checkbox"/>	<input type="checkbox"/> <input type="checkbox"/>	<input type="checkbox"/> <input type="checkbox"/> <input type="checkbox"/>	<input type="checkbox"/> <input type="checkbox"/> <input type="checkbox"/>	<input type="checkbox"/> <input type="checkbox"/>	<input type="checkbox"/> <input type="checkbox"/>				
 <p><b>Lounge Opposing Orientation Sofa, Bariatric/Table/Standard, Right-facing</b></p> <ul style="list-style-type: none"> <li>Fully upholstered, featuring 6" foam seat cushions</li> <li>8.5" die-cast aluminum leg</li> <li>Extruded aluminum base</li> <li>Stitching detail on back rest</li> <li>Debris clean-out spaces</li> <li>Field replaceable components</li> <li>Separating arms</li> <li>Power located in table surface, when power specified</li> <li>In-line table supports personal items</li> <li>Opposing orientation maximizes space utilization while creating separate lines of sight</li> <li>Non-contrast COM = 9 yds</li> </ul> <p>Overall Dimensions: • W=90" D=28" H=32"</p>	ZYLABTCR	<input type="checkbox"/> <input type="checkbox"/> <input type="checkbox"/>	<input type="checkbox"/> <input type="checkbox"/> <input type="checkbox"/>	<input type="checkbox"/> <input type="checkbox"/>	<input type="checkbox"/> <input type="checkbox"/>	<input type="checkbox"/> <input type="checkbox"/> <input type="checkbox"/>	<input type="checkbox"/> <input type="checkbox"/>	<input type="checkbox"/> <input type="checkbox"/> <input type="checkbox"/>	<input type="checkbox"/> <input type="checkbox"/> <input type="checkbox"/>	<input type="checkbox"/> <input type="checkbox"/>	<input type="checkbox"/> <input type="checkbox"/>	287.00#	\$ 4869	\$ 19	\$ 120
	ZYLABTCR	<input type="checkbox"/> <input type="checkbox"/> <input type="checkbox"/>	<input type="checkbox"/> <input type="checkbox"/> <input type="checkbox"/>	<input type="checkbox"/> <input type="checkbox"/>	<input type="checkbox"/> <input type="checkbox"/>	<input type="checkbox"/> <input type="checkbox"/> <input type="checkbox"/>	<input type="checkbox"/> <input type="checkbox"/>	<input type="checkbox"/> <input type="checkbox"/> <input type="checkbox"/>	<input type="checkbox"/> <input type="checkbox"/> <input type="checkbox"/>	<input type="checkbox"/> <input type="checkbox"/>	<input type="checkbox"/> <input type="checkbox"/>				
	ZYLABTCR	<input type="checkbox"/> <input type="checkbox"/> <input type="checkbox"/>	<input type="checkbox"/> <input type="checkbox"/> <input type="checkbox"/>	<input type="checkbox"/> <input type="checkbox"/>	<input type="checkbox"/> <input type="checkbox"/>	<input type="checkbox"/> <input type="checkbox"/> <input type="checkbox"/>	<input type="checkbox"/> <input type="checkbox"/>	<input type="checkbox"/> <input type="checkbox"/> <input type="checkbox"/>	<input type="checkbox"/> <input type="checkbox"/> <input type="checkbox"/>	<input type="checkbox"/> <input type="checkbox"/>	<input type="checkbox"/> <input type="checkbox"/>				
	ZYLABTCR	<input type="checkbox"/> <input type="checkbox"/> <input type="checkbox"/>	<input type="checkbox"/> <input type="checkbox"/> <input type="checkbox"/>	<input type="checkbox"/> <input type="checkbox"/>	<input type="checkbox"/> <input type="checkbox"/>	<input type="checkbox"/> <input type="checkbox"/> <input type="checkbox"/>	<input type="checkbox"/> <input type="checkbox"/>	<input type="checkbox"/> <input type="checkbox"/> <input type="checkbox"/>	<input type="checkbox"/> <input type="checkbox"/> <input type="checkbox"/>	<input type="checkbox"/> <input type="checkbox"/>	<input type="checkbox"/> <input type="checkbox"/>				
	ZYLABTCR	<input type="checkbox"/> <input type="checkbox"/> <input type="checkbox"/>	<input type="checkbox"/> <input type="checkbox"/> <input type="checkbox"/>	<input type="checkbox"/> <input type="checkbox"/>	<input type="checkbox"/> <input type="checkbox"/>	<input type="checkbox"/> <input type="checkbox"/> <input type="checkbox"/>	<input type="checkbox"/> <input type="checkbox"/>	<input type="checkbox"/> <input type="checkbox"/> <input type="checkbox"/>	<input type="checkbox"/> <input type="checkbox"/> <input type="checkbox"/>	<input type="checkbox"/> <input type="checkbox"/>	<input type="checkbox"/> <input type="checkbox"/>				
	ZYLABTCR	<input type="checkbox"/> <input type="checkbox"/> <input type="checkbox"/>	<input type="checkbox"/> <input type="checkbox"/> <input type="checkbox"/>	<input type="checkbox"/> <input type="checkbox"/>	<input type="checkbox"/> <input type="checkbox"/>	<input type="checkbox"/> <input type="checkbox"/> <input type="checkbox"/>	<input type="checkbox"/> <input type="checkbox"/>	<input type="checkbox"/> <input type="checkbox"/> <input type="checkbox"/>	<input type="checkbox"/> <input type="checkbox"/> <input type="checkbox"/>	<input type="checkbox"/> <input type="checkbox"/>	<input type="checkbox"/> <input type="checkbox"/>				
	ZYLABTCR	<input type="checkbox"/> <input type="checkbox"/> <input type="checkbox"/>	<input type="checkbox"/> <input type="checkbox"/> <input type="checkbox"/>	<input type="checkbox"/> <input type="checkbox"/>	<input type="checkbox"/> <input type="checkbox"/>	<input type="checkbox"/> <input type="checkbox"/> <input type="checkbox"/>	<input type="checkbox"/> <input type="checkbox"/>	<input type="checkbox"/> <input type="checkbox"/> <input type="checkbox"/>	<input type="checkbox"/> <input type="checkbox"/> <input type="checkbox"/>	<input type="checkbox"/> <input type="checkbox"/>	<input type="checkbox"/> <input type="checkbox"/>				
	ZYLABTCR	<input type="checkbox"/> <input type="checkbox"/> <input type="checkbox"/>	<input type="checkbox"/> <input type="checkbox"/> <input type="checkbox"/>	<input type="checkbox"/> <input type="checkbox"/>	<input type="checkbox"/> <input type="checkbox"/>	<input type="checkbox"/> <input type="checkbox"/> <input type="checkbox"/>	<input type="checkbox"/> <input type="checkbox"/>	<input type="checkbox"/> <input type="checkbox"/> <input type="checkbox"/>	<input type="checkbox"/> <input type="checkbox"/> <input type="checkbox"/>	<input type="checkbox"/> <input type="checkbox"/>	<input type="checkbox"/> <input type="checkbox"/>				
	ZYLABTCR	<input type="checkbox"/> <input type="checkbox"/> <input type="checkbox"/>	<input type="checkbox"/> <input type="checkbox"/> <input type="checkbox"/>	<input type="checkbox"/> <input type="checkbox"/>	<input type="checkbox"/> <input type="checkbox"/>	<input type="checkbox"/> <input type="checkbox"/> <input type="checkbox"/>	<input type="checkbox"/> <input type="checkbox"/>	<input type="checkbox"/> <input type="checkbox"/> <input type="checkbox"/>	<input type="checkbox"/> <input type="checkbox"/> <input type="checkbox"/>	<input type="checkbox"/> <input type="checkbox"/>	<input type="checkbox"/> <input type="checkbox"/>				
	ZYLABTCR	<input type="checkbox"/> <input type="checkbox"/> <input type="checkbox"/>	<input type="checkbox"/> <input type="checkbox"/> <input type="checkbox"/>	<input type="checkbox"/> <input type="checkbox"/>	<input type="checkbox"/> <input type="checkbox"/>	<input type="checkbox"/> <input type="checkbox"/> <input type="checkbox"/>	<input type="checkbox"/> <input type="checkbox"/>	<input type="checkbox"/> <input type="checkbox"/> <input type="checkbox"/>	<input type="checkbox"/> <input type="checkbox"/> <input type="checkbox"/>	<input type="checkbox"/> <input type="checkbox"/>	<input type="checkbox"/> <input type="checkbox"/>				

**HOW TO ORDER**

Indicate the following information on order form:

- Quantity of each item.
- Model number, including options. See "How To Build a Model Number".
- Any special service required.

Note:

- The  indicates that a choice is required.
- The absence of the  indicates that no choice is required.
- Alpha-numeric characters in place of  indicate that no other alternatives are available.

**HOW TO BUILD A MODEL NUMBER**

**A** Select basic model.

**B** Select armcap type.

<b>PACBL</b>	- Black poly armcap; add \$445
<b>NAC</b>	- No armcap
<b>WAC</b>	- Wood armcaps; add \$589

**C** Select power & location.

<b>M1</b>	- One power module; add \$248
<b>NP</b>	- No power

**D** Select glide.

<b>GFT</b>	- Felt glides
<b>GPL</b>	- Plastic glides

Glides adjust 7/8"

**E** Select base/leg finish.

Refer to the **Product Color Options** page in this price list.

Polished aluminum base/leg requires an upcharge. See FINISH INFORMATION.

**F** Select armcap finish.

Refer to the **Product Color Options** page in this price list.

**G** Select power module color.

<b>WPBL</b>	- Black/Black power module
<b>WPSL</b>	- Silver/White power module
<b>WPHW</b>	- White/white power module

**H** Select upholstery grade/color.

Refer to [ki.com/fabrics](http://ki.com/fabrics).

- For yardage pricing, see Fabric Yardage Pricing page

**I** Select thread color.

Refer to the **Product Color Options** page in this price list.

**J** Select laminate table finish.

Refer to the **Product Color Options** page in this price list.

**K** Select 73P edge color.

Refer to the **Product Color Options** page in this price list.

**NOTE**

Ganging is not available on Zoetry product.

Zoety is offered in non-contrasting upholstery only, as standard.

**FINISH INFORMATION**

Polished Aluminum Upcharge:

Lounge Chair	
ZYLNCC	\$160
ZYLNBB	\$160
Lounge Loveseat	
ZYLNCC	\$200
ZYLNBB	\$200
ZYLNBC	\$200
ZYLNCB	\$200
Tandem Lounge Loveseat	
ZYLACC	\$200
ZYLABB	\$200
ZYLABC	\$200
ZYLACB	\$200

Lounge Sofa	
ZYLNCCC	\$320
ZYLNCCW	\$320
ZYLNBBW	\$320
ZYLNBBWC	\$320
ZYLNCCWB	\$320
Tandem Lounge Sofa	
ZYLACCC	\$320
ZYLACBC	\$320
ZYLACB	\$320
Tandem Lounge Sofa with Table	
ZYLACRC	\$320
ZYLACTC	\$320
ZYLACSC	\$320
ZYLABRB	\$320
ZYLABTB	\$320
ZYLABSB	\$320
ZYLABRC	\$320
ZYLABTC	\$320
ZYLABSC	\$320
ZYLACRB	\$320
ZYLACTB	\$320
ZYLACSB	\$320

Tandem Lounge Opposing Orientation Sofa	
ZYLACTCL	\$320
ZYLACTCR	\$320
ZYLACSC	\$320
ZYLACSCR	\$320
ZYLACTBL	\$320
ZYLACTBR	\$320
ZYLABSBL	\$320
ZYLABSBR	\$320
ZYLACTCL	\$320
ZYLACTCR	\$320
ZYLACSC	\$320
ZYLACSCR	\$320

**FINISH INFORMATION**

ADDITIONAL LAMINATE OFFERING

KI offers laminates beyond those offered in the standard offering. Laminates that are currently available in the program can be viewed in KI product specification tools. Requests to add laminates to the program can be submitted via the product modification request process. Please note, requests to add laminates to the program must include the laminate manufacturers name, color/pattern number, and finish code. Edge options are limited to standard edge colors. If a matching edge is required, this will need to be requested thru the product modification request process and may be subject to additional costs. Due to varying manufacturing processes and quality issues with some laminates, some requests may be denied. Extended lead times and minimum order quantities may apply on orders containing special laminates. Contact the product modification team for questions or additional information regarding special laminates and pricing.

**SPECIAL SERVICES**

**Special Carton Marking**

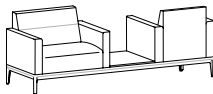
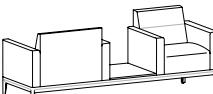
With specially marked information N/C

**Shipping**

Ships **assembled, FOB High Point, NC 27263, freight prepaid.** Freight class 250.

Specifications and prices are subject to change without prior notice.



MODEL	MODEL NUMBER									Approx. Packaged Weight	Delivered Pricing
	Basic Model	Armcap Type	Power & Location	Glide Option	Base Finish	Armcap Finish	Power Color	Uph. Color	Thread Color		
 <p><b>Zoetry Lounge Opposing Orientation Sofa, Bariatric/Solid Surface Table/Standard, Left-facing</b></p> <ul style="list-style-type: none"> <li>Fully upholstered, featuring 6" foam seat cushions</li> <li>8.5" die-cast aluminum leg</li> <li>Extruded aluminum base</li> <li>Stitching detail on back rest</li> <li>Debris clean-out spaces</li> <li>Field replaceable components</li> <li>Separating arms</li> <li>Power located in table surface, when power specified</li> <li>Corian® Solide Surface in-line table supports personal items</li> <li>Opposing orientation maximizes space utilization while creating separate lines of sight</li> <li>Non-contrast COM = 9 yds</li> <li>Overall Dimensions: • W=90" D=28" H=32"</li> </ul>	ZYLABSCL	□□□	□□□	□□	□□	□□□	□□	□□□	□□□	307.00#	\$ 5312
 <p><b>Lounge Opposing Orientation Sofa, Bariatric/Solid Surface Table/Standard, Right-facing</b></p> <ul style="list-style-type: none"> <li>Fully upholstered, featuring 6" foam seat cushions</li> <li>8.5" die-cast aluminum leg</li> <li>Extruded aluminum base</li> <li>Stitching detail on back rest</li> <li>Debris clean-out spaces</li> <li>Field replaceable components</li> <li>Separating arms</li> <li>Power located in table surface, when power specified</li> <li>Corian® Solide Surface in-line table supports personal items</li> <li>Opposing orientation maximizes space utilization while creating separate lines of sight</li> <li>Non-contrast COM = 9 yds</li> <li>Overall Dimensions: • W=90" D=28" H=32"</li> </ul>	ZYLABSCR	□□□	□□□	□□	□□	□□□	□□	□□□	□□□	307.00#	\$ 5312

**HOW TO ORDER**

- Indicate the following information on order form:
- Quantity of each item.
  - Model number, including options. See "How To Build a Model Number".
  - Any special service required.

Note: • The □ indicates that a choice is required.  
• The absence of the □ indicates that no choice is required.  
• Alpha-numeric characters in place of □ indicate that no other alternatives are available.

**HOW TO BUILD A MODEL NUMBER**

- A** Select basic model.
- B** Select armcap type.
  - PACBL** - Black poly armcap; add \$445
  - NAC** - No armcap
  - WAC** - Wood armcaps; add \$589
- C** Select power & location.
  - M1** - One power module; add \$248
  - NP** - No power
- D** Select glide.
  - GFT** - Felt glides
  - GPL** - Plastic glides
  - Glides adjust 7/8"
- E** Select base/leg finish. Refer to the **Product Color Options** page in this price list. Polished aluminum base/leg requires an upcharge. See FINISH INFORMATION.
- F** Select armcap finish. Refer to the **Product Color Options** page in this price list.
- G** Select power module color.
  - WPBL** - Black/Black power module
  - WPSL** - Silver/White power module
  - WPWH** - White/white power module
- H** Select upholstery grade/color. Refer to **ki.com/fabrics**.
  - For yardage pricing, see Fabric Yardage Pricing page
- I** Select thread color. Refer to the **Product Color Options** page in this price list.

**NOTE**

Solid surface color is always Corian® Glacier White. Corian® is a DuPont brand.  
  
Ganging is not available on Zoetry product.  
  
Zoety is offered in non-contrasting upholstery only, as standard.

**FINISH INFORMATION**

Polished Aluminum Upcharge:

Lounge Chair	
ZYLNCC	\$160
ZYLNBB	\$160
Lounge Loveseat	
ZYLNCC	\$200
ZYLNBB	\$200
ZYLNBC	\$200
ZYLNCB	\$200
Tandem Lounge Loveseat	
ZYLACC	\$200
ZYLABB	\$200
ZYLABC	\$200
ZYLACB	\$200
Lounge Sofa	
ZYLNCCC	\$320
ZYLNCCC	\$320
ZYLNBBB	\$320
ZYLNBBB	\$320
ZYLNBCB	\$320
ZYLNBCB	\$320
Tandem Lounge Sofa	
ZYLACCC	\$320
ZYLACBC	\$320
ZYLACCB	\$320
Tandem Lounge Sofa with Table	
ZYLACRC	\$320
ZYLACTC	\$320
ZYLACSC	\$320
ZYLABRB	\$320
ZYLABTB	\$320
ZYLABSB	\$320
ZYLABRC	\$320
ZYLABTC	\$320
ZYLABSC	\$320
ZYLACRB	\$320
ZYLACTB	\$320
ZYLACSB	\$320
Tandem Lounge Opposing Orientation Sofa	
ZYLACTCL	\$320
ZYLACTCR	\$320
ZYLACSCCL	\$320
ZYLACSCR	\$320
ZYLACTBL	\$320

**SPECIAL SERVICES**

**Special Carton Marking**

With specially marked information N/C

ZYLACTBTR	\$320
ZYLACTBCL	\$320
ZYLACTBSR	\$320
ZYLACTBCL	\$320
ZYLACTBTR	\$320
ZYLACTBCL	\$320
ZYLACTBTR	\$320

**Shipping**

Ships assembled, FOB High Point, NC 27263, freight prepaid. Freight class 250.  
  
Specifications and prices are subject to change without prior notice.

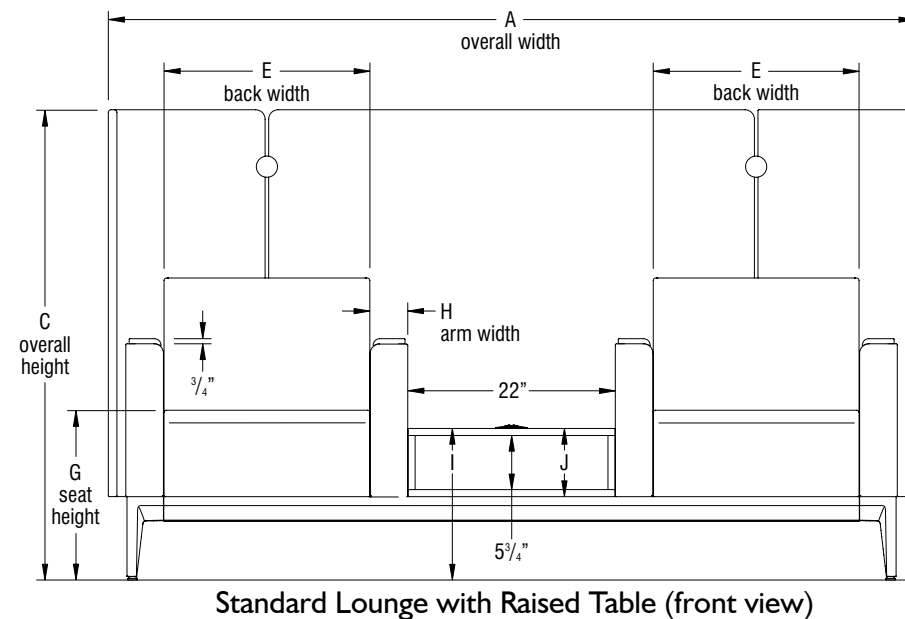
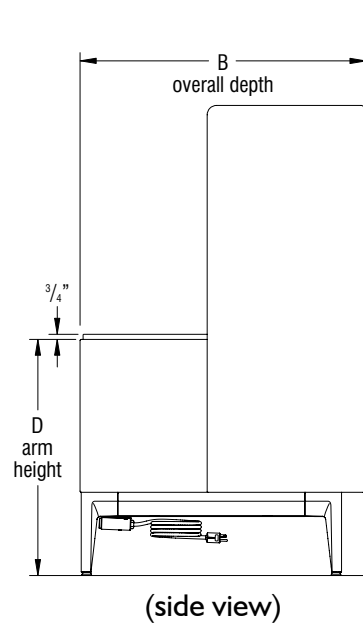
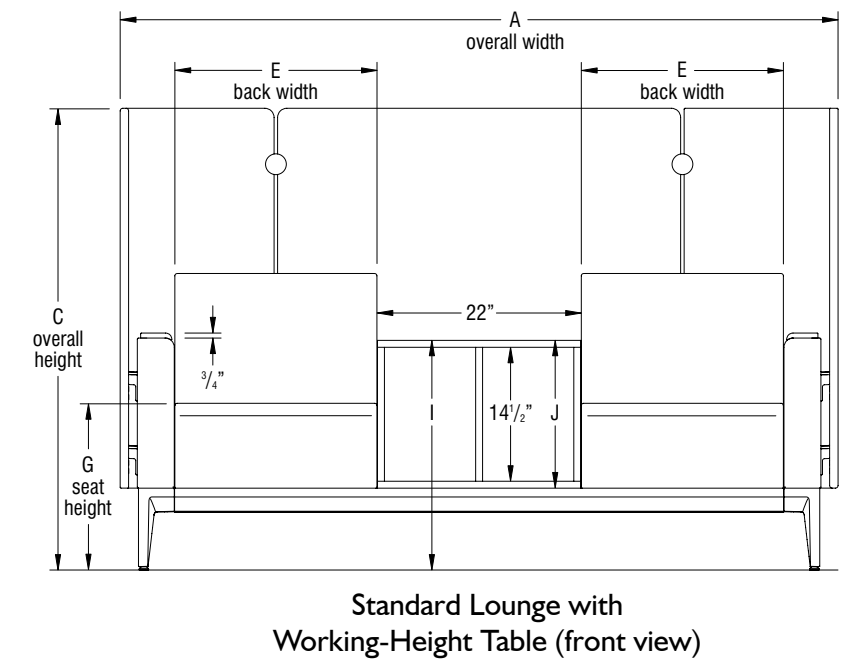
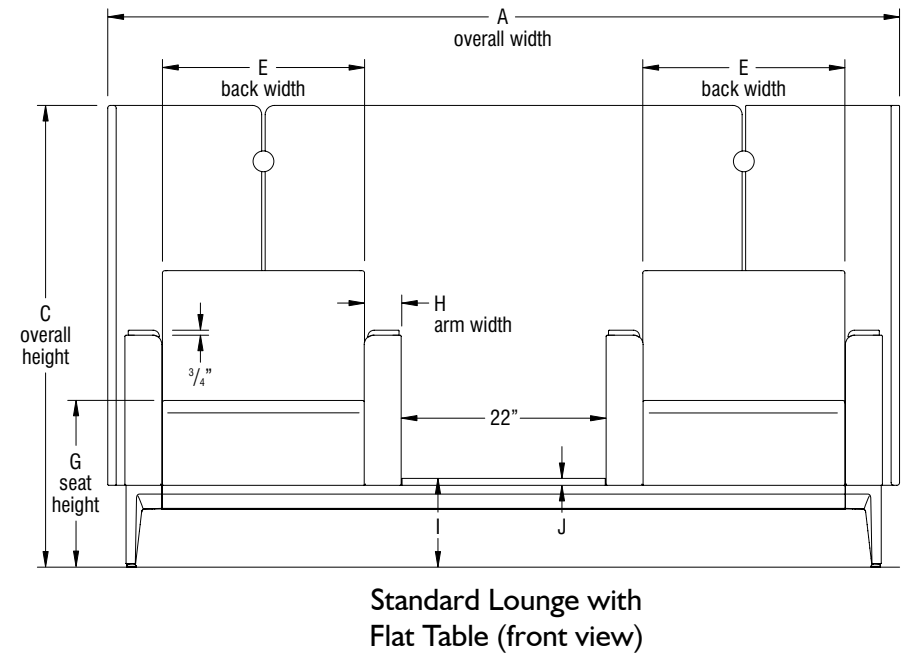
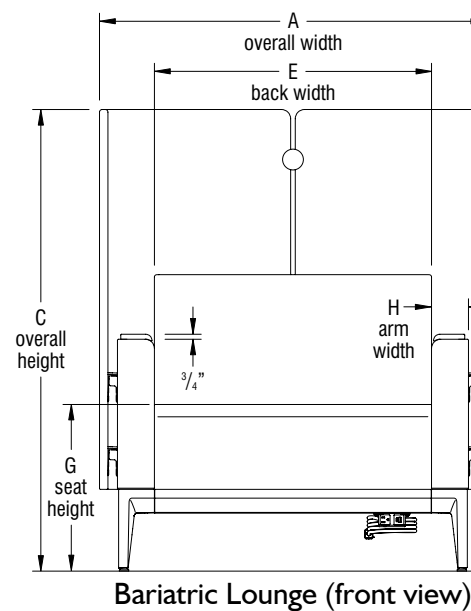
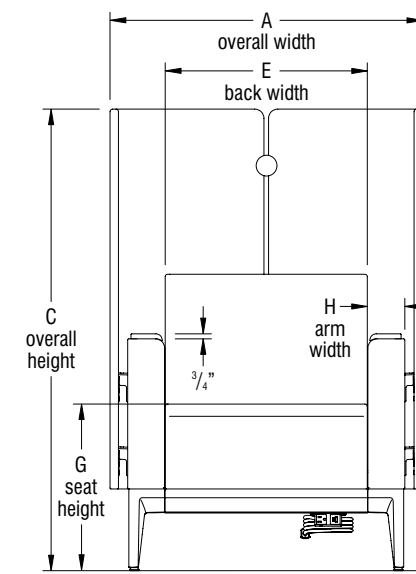
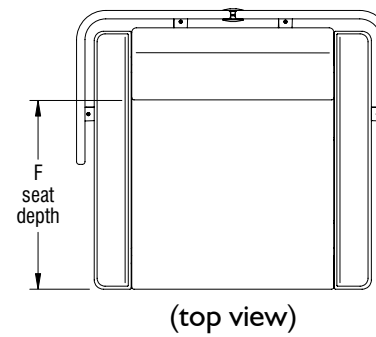


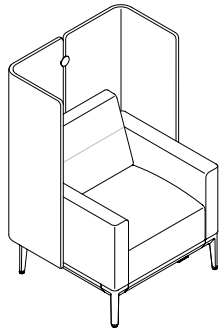
Zoetry Lounge Overall Dimensions										
Model/Feature	A Overall Width	B Overall Depth	C Overall Height	D Arm Height	E Back Width	F Seat Depth	G Seat Height	H Arm Width	I Table Height Above Finish Floor	J Table Height Above Seat Frame
Standard Lounges	Reference Appropriate Chart Below	30 1/4"	50"	25"	22"	20 1/2"	18"	4"	N/A	N/A
Bariatric Lounges	Reference Appropriate Chart Below	30 1/4"	50"	25"	30"	20 1/2"	18"	4"	N/A	N/A
Lounge In-Line Flat Tables	22"	27 7/8"	9 1/2"	N/A	N/A	N/A	N/A	N/A	9 5/8"	3/4"
Lounge In-Line Raised Tables	22"	27 7/8"	16"	N/A	N/A	N/A	N/A	N/A	16 1/8"	7/4"
Lounge In-Line Working-Height Tables	22"	27 7/8"	25"	N/A	N/A	N/A	N/A	N/A	24 7/8"	16"

Zoetry Standard Lounge Overall Width	
Model	A Overall Width
ZYPNC	34"
ZYPNCC	56"
ZYPNCCC	78"
ZYPACRC	86"
ZYPACTC	86"
ZYPACSC	86"
ZYPNCWC	78"
ZYPACTCL	86"

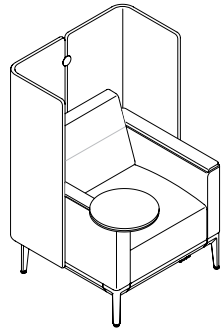
Zoetry Standard Lounge Overall Width (cont.)	
Model	A Overall Width
ZYPACTCR	86"
ZYPACSCS	86"
ZYPACSCR	86"

Zoetry Bariatric Lounge Seating Overall Width	
Model	A Overall Width
ZYPNB	42"
ZYPNBB	72"

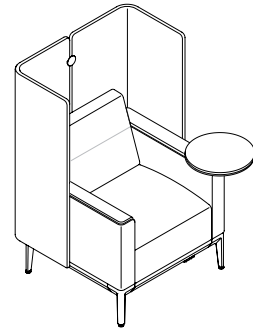




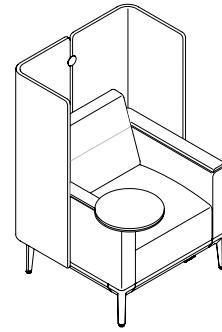
Lounge Chair (Privacy)  
ZYPNC



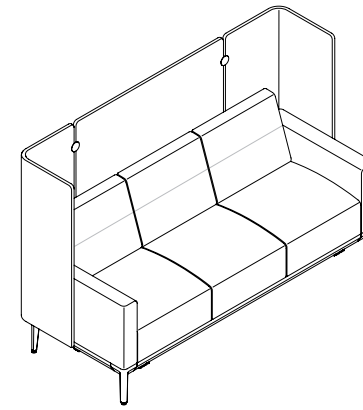
Lounge Chair (Privacy)  
with Removable Swivel Tablet  
(left-side facing)  
ZYPNCTLRA



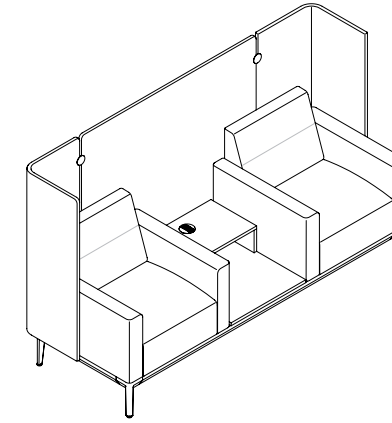
Lounge Chair (Privacy)  
with Removable Swivel Tablet  
(right-side facing)  
ZYPNCTRRA



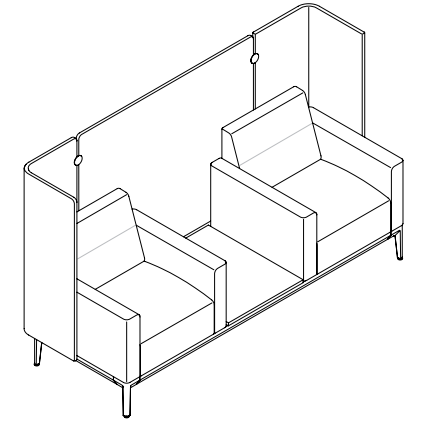
Lounge Chair (Privacy) with  
Non-Removable Swivel Tablet  
(left-side facing)  
ZYPNCTLNR



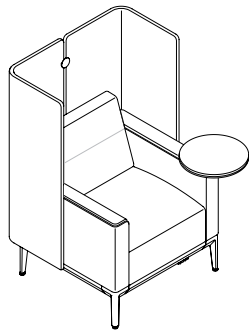
Lounge Sofa (Privacy)  
ZYPNCCC



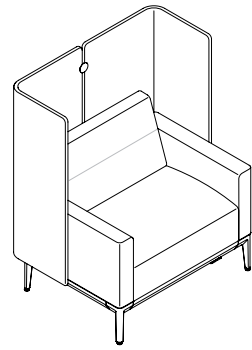
Tandem Lounge  
Standard/Raised Table/Standard (Privacy)  
ZYPACRC



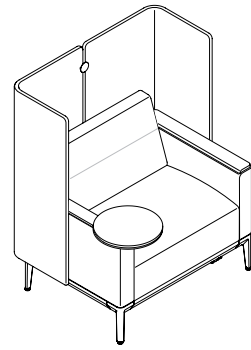
Tandem Lounges  
Standard/Flat Table/Standard (Privacy)  
ZYPACTC  
ZYPACSC



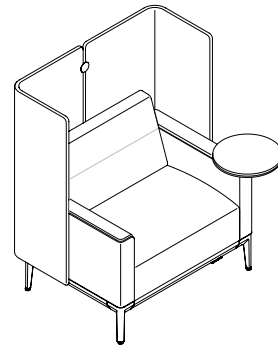
Lounge Chair (Privacy) with  
Non-Removable Swivel Tablet  
(right-side facing)  
ZYPNCTRRR



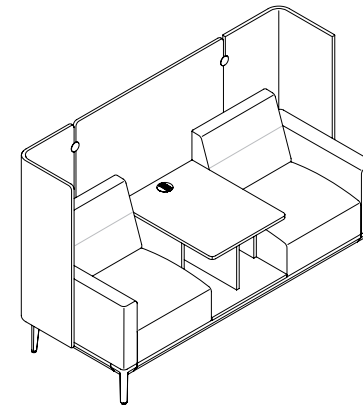
Bariatric Lounge Chair (Privacy)  
ZYPNB



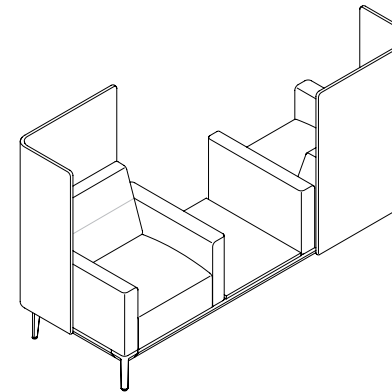
Bariatric Lounge Chair (Privacy)  
with Removable Swivel Tablet  
(left-side facing)  
ZYPNBTLRA



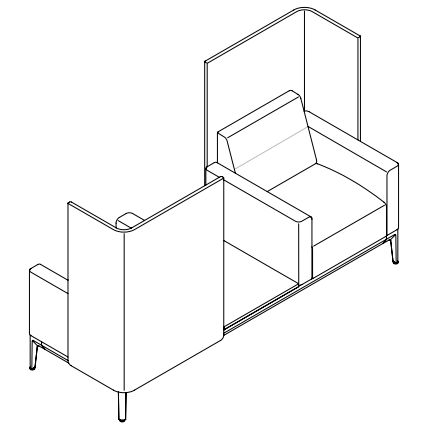
Bariatric Lounge Chair (Privacy)  
with Removable Swivel Tablet  
(right-side facing)  
ZYPNBTRRA



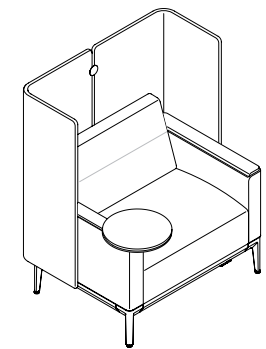
Lounge Sofa Standard/  
Working-Height Table/Standard (Privacy)  
ZYPNCWC



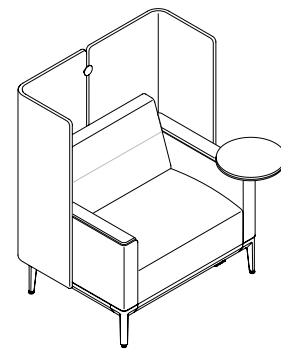
Lounge Opposing Orientation  
Standard/Table/Standard (Privacy)  
ZYPACTCL  
ZYPACSC



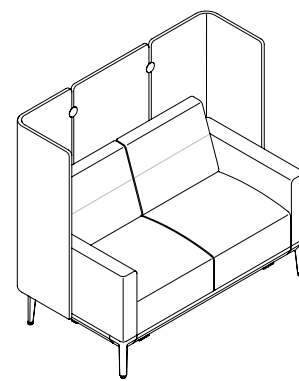
Lounge Opposing Orientation  
Standard/Table/Standard (Privacy)  
ZYPACTCR  
ZYPACSCR



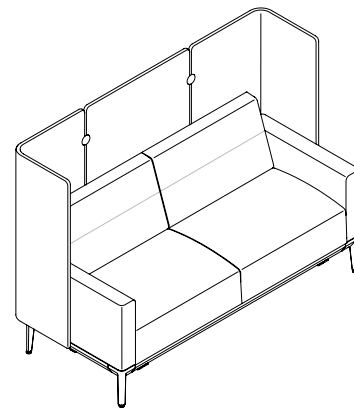
Bariatric Lounge Chair (Privacy) with  
Non-Removable Swivel Tablet  
(left-side facing)  
ZYPNBTLNR



Bariatric Lounge Chair (Privacy) with  
Non-Removable Swivel Tablet  
(right-side facing)  
ZYPNBTRNR

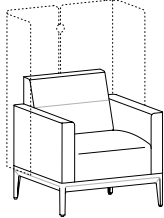
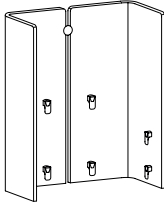


Lounge Loveseat (Privacy)  
ZYPNCC



Bariatric Lounge Loveseat (Privacy)  
ZYPNB



MODEL	MODEL NUMBER										Approx. Packaged Weight	Delivered Pricing
	Basic Model	Armcap Type	Power & Location	Glide Option	Base Finish	Armcap Finish	Power Color	Medallion Finish	Uph. Color	Thread Color		
 <p>ZYPN</p> <p><b>Lounge Chair with Privacy Screen Mount</b></p> <ul style="list-style-type: none"> <li>Includes privacy screen mounts installed. PRIVACY SCREENS MUST BE SPECIFIED SEPARATELY.</li> <li>Fully upholstered, featuring 6" molded foam seat cushions</li> <li>8.5" Die-cast aluminum leg</li> <li>Extruded aluminum base</li> <li>Stitching detail on back rest</li> <li>Debris clean-out spaces</li> <li>Field replaceable components</li> <li>Non-contrast COM = 4 yds</li> </ul> <p>Overall dimensions of lounge with screen attached: • W=34" D=30" H=50"</p>	ZYPNC	□□□	□□□	□□	□□	□□□	□□		□□□	□□□	108.00#	\$ 2648
 <p>ZYSN</p> <p><b>Privacy Screen for Lounge Chair</b></p> <ul style="list-style-type: none"> <li>Fully upholstered privacy screens</li> <li>Includes privacy screens, connecting medallion, and mounting hardware.</li> <li>Correlating lounge products must be specified separately</li> <li>Must be field installed on lounge item</li> <li>Provides visual and acoustic privacy benefits</li> <li>Non-contrast COM = 5 yds</li> </ul> <p>Overall dimensions of screen: • W=34" D=16.5" H=41.25"</p>	ZYSNC							□□	□□□	□□□	48.00#	\$ 1878

**A B C D E F G H I J**

### HOW TO ORDER

- Indicate the following information on order form:
- Quantity of each item.
  - Model number, including options. See "How To Build a Model Number".
  - Any special service required.

Note: • The □ indicates that a choice is required.  
• The absence of the □ indicates that no choice is required.  
• Alpha-numeric characters in place of □ indicate that no other alternatives are available.

### HOW TO BUILD A MODEL NUMBER

- A** Select basic model.
- B** Select armcap type.
  - PACBL** - Black poly armcap; add \$223
  - NAC** - No armcap
  - WAC** - Wood armcaps; add \$295
- C** Select power & location.
  - M1L** - One power module, left-facing; add \$267
  - M1R** - One power module, right-facing; add \$267
  - NP** - No power
- D** Select glide.
  - GFT** - Felt glides
  - GPL** - Plastic glides

Glides adjust 7/8"
- E** Select base/leg finish. Refer to the **Product Color Options** page in this price list. Polished aluminum base/leg requires an upcharge. See FINISH INFORMATION.
- F** Select armcap finish. Refer to the **Product Color Options** page in this price list.
- G** Select power module color.
  - WPBL** - Black/Black power module
  - WPWH** - White/white power module
- H** Select medallion finish. Refer to the **Product Color Options** page in this price list.
- I** Select upholstery grade/color. Refer to [ki.com/fabrics](http://ki.com/fabrics).
  - For yardage pricing, see Fabric Yardage Pricing page
- J** Select thread color. Refer to the **Product Color Options** page in this price list.

### NOTE

Ganging is not available on Zoetry product.  
  
Zoetry is offered in non-contrasting upholstery only, as standard.

### FINISH INFORMATION

- Polished Aluminum Upcharge:  
Note: the Medallion Finish does not require an upcharge.
- |  |       |
|--|-------|
| Lounge Chair with Privacy Screen Mount |       |
| ZYPNC                                  | \$160 |
| ZYPNB                                  | \$160 |
- 
- |   |       |
|---|-------|
| Lounge Loveseat with Privacy Screen Mount |       |
| ZYPNCC                                    | \$200 |
| ZYPNBB                                    | \$200 |
- 
- |                                       |       |
|---------------------------------------|-------|
| Lounge Sofa with Privacy Screen Mount |       |
| ZYPNCCC                               | \$320 |
| ZYPNCWC                               | \$320 |
- 
- |   |       |
|---|-------|
| Tandem Lounge Sofa with Table with Privacy Screen Mount |       |
| ZYPACRC   | \$320 |
| ZYPACTC   | \$320 |
| ZYPACSC   | \$320 |

- Tandem Lounge Opposing Orientation Sofa with Privacy Screen Mount
- |           |       |
|-----------|-------|
| ZYPACTCL  | \$320 |
| ZYPACTCR  | \$320 |
| ZYPACSCCL | \$320 |
| ZYPACSCR  | \$320 |

### SPECIAL SERVICES

#### Special Carton Marking

With specially marked information N/C

**Shipping**  
Ships assembled, FOB High Point, NC 27263, freight prepaid. Freight class 250.

Specifications and prices are subject to change without prior notice.

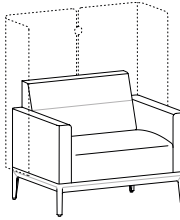
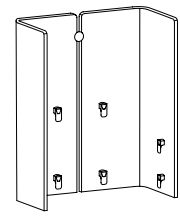
# Zoetry® Privacy Lounge Seating

Bariatric Lounge Chair with Privacy Screen



# Zoetry® Privacy Lounge Seating

Bariatric Lounge Chair with Privacy Screen

MODEL	MODEL NUMBER										Approx. Packaged Weight	Delivered Pricing	
	Basic Model	Armcap Type	Power & Location	Glide Option	Base Finish	Armcap Finish	Power Color	Medallion Finish	Uph. Color	Thread Color			
 <p><b>Lounge Chair, Bariatric, with Privacy Screen Mount</b></p> <ul style="list-style-type: none"> <li>Includes privacy screen mounts installed. PRIVACY SCREENS MUST BE SPECIFIED SEPARATELY.</li> <li>Fully upholstered, featuring 6" foam seat cushions</li> <li>8.5" Die-cast aluminum leg</li> <li>Extruded aluminum base</li> <li>Stitching detail on back rest</li> <li>Debris clean-out spaces</li> <li>Field replaceable components</li> <li>Non-contrast COM = 5.5 yds</li> </ul> <p>Overall dimensions of lounge with screen attached:</p> <ul style="list-style-type: none"> <li>W=42" D=30" H=50"</li> </ul>	ZYPNB	<input type="checkbox"/> <input type="checkbox"/>	<input type="checkbox"/> <input type="checkbox"/>	<input type="checkbox"/>	<input type="checkbox"/>	<input type="checkbox"/> <input type="checkbox"/>	<input type="checkbox"/>		<input type="checkbox"/> <input type="checkbox"/>	<input type="checkbox"/> <input type="checkbox"/>	126.50#	\$ 2868	
	 <p><b>Privacy Screen for Bariatric Lounge Chair</b></p> <ul style="list-style-type: none"> <li>Fully upholstered privacy screens</li> <li>Includes privacy screens, connecting medallion, and mounting hardware.</li> <li>Correlating lounge products must be specified separately</li> <li>Must be field installed on lounge item</li> <li>Provides visual and acoustic privacy benefits</li> <li>Non-contrast COM = 5 yds</li> </ul> <p>Overall dimensions of screen:</p> <ul style="list-style-type: none"> <li>W=42" D=16.5" H=41.25"</li> </ul>	ZYSNB						<input type="checkbox"/> <input type="checkbox"/>	<input type="checkbox"/> <input type="checkbox"/>	<input type="checkbox"/> <input type="checkbox"/>	48.00#	\$ 1959	
		<b>A</b>	<b>B</b>	<b>C</b>	<b>D</b>	<b>E</b>	<b>F</b>	<b>G</b>	<b>H</b>	<b>I</b>	<b>J</b>		

## HOW TO ORDER

- Indicate the following information on order form:
- Quantity of each item.
  - Model number, including options. See "How To Build a Model Number".
  - Any special service required.

Note: • The  indicates that a choice is required.  
 • The absence of the  indicates that no choice is required.  
 • Alpha-numeric characters in place of  indicate that no other alternatives are available.

## HOW TO BUILD A MODEL NUMBER

- A** Select basic model.
- B** Select armcap type.
  - PACBL** - Black poly armcap; add \$223
  - NAC** - No armcap
  - WAC** - Wood armcaps; add \$295
- C** Select power & location.
  - M1L** - One power module, left-facing; add \$267
  - M1R** - One power module, right-facing; add \$267
  - NP** - No power
- D** Select glide.
  - GFT** - Felt glides
  - GPL** - Plastic glides
  - Glides adjust 7/8"
- E** Select base/leg finish. Refer to the **Product Color Options** page in this price list.
- F** Select armcap finish. Refer to the **Product Color Options** page in this price list.
  - WPBL** - Black/Black power module
  - WPWH** - White/white power module
- G** Select power module color.
  - WPBL** - Black/Black power module
  - WPWH** - White/white power module
- H** Select medallion finish. Refer to the **Product Color Options** page in this price list.
- I** Select upholstery grade/color. Refer to [ki.com/fabrics](http://ki.com/fabrics).
  - For yardage pricing, see Fabric Yardage Pricing page
- J** Select thread color. Refer to the **Product Color Options** page in this price list.

## NOTE

Ganging is not available on Zoetry product.

Zoetry is offered in non-contrasting upholstery only, as standard.

## FINISH INFORMATION

Polished Aluminum Upcharge:  
 Note: the Medallion Finish does not require an upcharge.

Lounge Chair with Privacy Screen Mount  
 ZYPNC \$160  
 ZYPNB \$160

Lounge Loveseat with Privacy Screen Mount  
 ZYPNCC \$200  
 ZYPNBB \$200

Lounge Sofa with Privacy Screen Mount  
 ZYPNCCC \$320  
 ZYPNCWC \$320

Tandem Lounge Sofa with Table with Privacy Screen Mount  
 ZYPACRC \$320  
 ZYPACTC \$320  
 ZYPACSC \$320

Tandem Lounge Opposing Orientation Sofa with Privacy Screen Mount

ZYPACTCL \$320  
 ZYPACTCR \$320  
 ZYPACSCCL \$320  
 ZYPACSCCR \$320

## SPECIAL SERVICES

### Special Carton Marking

With specially marked information N/C

### Shipping

Ships **assembled, FOB High Point, NC 27263, freight prepaid.** Freight class 250.

Specifications and prices are subject to change without prior notice.









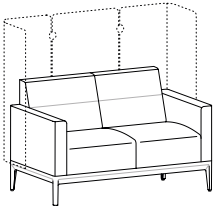
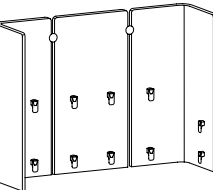
# Zoetry® Privacy Lounge Seating

Lounge Loveseat with Privacy Screen



# Zoetry® Privacy Lounge Seating

Lounge Loveseat with Privacy Screen

MODEL	MODEL NUMBER										Approx. Packaged Weight	Delivered Pricing
	Basic Model	Armcap Type	Power & Location	Glide Option	Base Finish	Armcap Finish	Power Color	Medallion Finish	Uph. Color	Thread Color		
 <p><b>Lounge Loveseat with Privacy Screen Mount</b></p> <ul style="list-style-type: none"> <li>Includes privacy screen mounts installed. <b>PRIVACY SCREENS MUST BE SPECIFIED SEPARATELY.</b></li> <li>Fully upholstered, featuring 6" molded foam seat cushions</li> <li>8.5" Die-cast aluminum leg</li> <li>Extruded aluminum base</li> <li>Stitching detail on back rest</li> <li>Debris clean-out spaces</li> <li>Field replaceable components</li> <li>Non-contrast COM = 6 yds</li> </ul> <p>Overall dimensions of lounge with screen attached:</p> <ul style="list-style-type: none"> <li>W=56" D=30" H=50"</li> </ul>	ZYPNCC	□□□	□□□	□□	□□	□□□	□□		□□□	□□□	200.00#	\$ 3540
 <p><b>Privacy Screen for Lounge Loveseat</b></p> <ul style="list-style-type: none"> <li>Fully upholstered privacy screens</li> <li>Includes privacy screens, connecting medallion, and mounting hardware.</li> <li>Correlating lounge products must be specified separately</li> <li>Must be field installed on lounge item</li> <li>Provides visual and acoustic privacy benefits</li> <li>Non-contrast COM = 7.5 yds</li> </ul> <p>Overall dimensions of screen:</p> <ul style="list-style-type: none"> <li>W=56" D=16.5" H=41.25"</li> </ul>	ZYSNCC							□□	□□□	□□□	60.00#	\$ 2500

**A B C D E F G H I J**

## HOW TO ORDER

- Indicate the following information on order form:
- Quantity of each item.
  - Model number, including options. See "How To Build a Model Number".
  - Any special service required.

Note: • The □ indicates that a choice is required.

- The absence of the □ indicates that no choice is required.
- Alpha-numeric characters in place of □ indicate that no other alternatives are available.

## HOW TO BUILD A MODEL NUMBER

- A** Select basic model.
- B** Select armcap type.
  - PACBL** - Black poly armcap; add \$223
  - NAC** - No armcap
  - WAC** - Wood armcaps; add \$295
- C** Select power & location.
  - M1C** - One power module, centered; add \$267
  - M1R** - One power module, right-facing; add \$267
  - M1L** - One power module, left-facing; add \$267
  - M2** - Two power modules; add \$645
  - NP** - No power
- D** Select glide.
  - GFT** - Felt glides
  - GPL** - Plastic glides
  - Glides adjust 7/8"
- E** Select base/leg finish. Refer to the **Product Color Options** page in this price list.

Polished aluminum base/leg requires an upcharge. See **FINISH INFORMATION**.

- F** Select armcap finish. Refer to the **Product Color Options** page in this price list.
- G** Select power module color.
  - WPBL** - Black/Black power module
  - WPWH** - White/white power module
- H** Select medallion finish. Refer to the **Product Color Options** page in this price list.
- I** Select upholstery grade/color. Refer to [ki.com/fabrics](http://ki.com/fabrics).
  - For yardage pricing, see Fabric Yardage Pricing page
- J** Select thread color. Refer to the **Product Color Options** page in this price list.

## NOTE

Ganging is not available on Zoetry product.

Zoetry is offered in non-contrasting upholstery only, as standard.

## FINISH INFORMATION

Polished Aluminum Upcharge:  
Note: the Medallion Finish does not require an upcharge.

Lounge Chair with Privacy Screen Mount  
ZYPNC \$160  
ZYPNB \$160

Lounge Loveseat with Privacy Screen Mount  
ZYPNCC \$200  
ZYPNBB \$200

Lounge Sofa with Privacy Screen Mount  
ZYPNCCC \$320  
ZYPNCWC \$320

Tandem Lounge Sofa with Table with Privacy Screen Mount  
ZYPACRC \$320  
ZYPACTC \$320  
ZYPACSC \$320

Tandem Lounge Opposing Orientation Sofa with Privacy Screen Mount

ZYPACTCL \$320  
ZYPACTCR \$320  
ZYPACGSL \$320  
ZYPACSCR \$320

## SPECIAL SERVICES

### Special Carton Marking

With specially marked information N/C

### Shipping

Ships **assembled, FOB High Point, NC 27263, freight prepaid.** Freight class 250.

Specifications and prices are subject to change without prior notice.

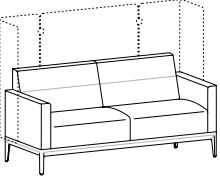
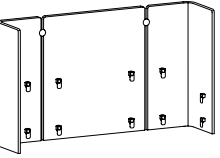
# Zoetry® Privacy Lounge Seating

Bariatric Lounge Loveseat with Privacy Screen



# Zoetry® Privacy Lounge Seating

Bariatric Lounge Loveseat with Privacy Screen

MODEL	MODEL NUMBER										Approx. Packaged Weight	Delivered Pricing
	Basic Model	Armcap Type	Power & Location	Glide Option	Base Finish	Armcap Finish	Power Color	Medallion Finish	Uph. Color	Thread Color		
 <p><b>Lounge Loveseat, Bariatric, with Privacy Screen Mount</b></p> <ul style="list-style-type: none"> <li>Includes privacy screen mounts installed. PRIVACY SCREENS MUST BE SPECIFIED SEPARATELY.</li> <li>Fully upholstered, featuring 6" foam seat cushions</li> <li>8.5" Die-cast aluminum leg</li> <li>Extruded aluminum base</li> <li>Stitching detail on back rest</li> <li>Debris clean-out spaces</li> <li>Field replaceable components</li> <li>Non-contrast COM = 8.25 yds</li> </ul> <p>Overall dimensions of lounge with screen attached:</p> <ul style="list-style-type: none"> <li>W=72" D=30" H=50"</li> </ul>	ZYPNBB	<input type="checkbox"/> <input type="checkbox"/> <input type="checkbox"/>	<input type="checkbox"/> <input type="checkbox"/> <input type="checkbox"/>	<input type="checkbox"/> <input type="checkbox"/>	<input type="checkbox"/> <input type="checkbox"/>	<input type="checkbox"/> <input type="checkbox"/> <input type="checkbox"/>	<input type="checkbox"/> <input type="checkbox"/>		<input type="checkbox"/> <input type="checkbox"/> <input type="checkbox"/>	<input type="checkbox"/> <input type="checkbox"/>	194.00#	\$ 4431
 <p><b>Privacy Screen for Bariatric Lounge Loveseat</b></p> <ul style="list-style-type: none"> <li>Fully upholstered privacy screens</li> <li>Includes privacy screens, connecting medallion, and mounting hardware.</li> <li>Correlating lounge products must be specified separately</li> <li>Must be field installed on lounge item</li> <li>Provides visual and acoustic privacy benefits</li> <li>Non-contrast COM = 7.5 yds</li> </ul> <p>Overall dimensions of screen:</p> <ul style="list-style-type: none"> <li>W=72" D=16.5" H=41.25"</li> </ul>	ZYSNBB							<input type="checkbox"/> <input type="checkbox"/>	<input type="checkbox"/> <input type="checkbox"/> <input type="checkbox"/>	<input type="checkbox"/> <input type="checkbox"/>	75.50#	\$ 2877

**A B C D E F G H I J**

## HOW TO ORDER

- Indicate the following information on order form:
- Quantity of each item.
  - Model number, including options. See "How To Build a Model Number".
  - Any special service required.

Note: • The  indicates that a choice is required.  
 • The absence of the  indicates that no choice is required.  
 • Alpha-numeric characters in place of  indicate that no other alternatives are available.

## HOW TO BUILD A MODEL NUMBER

- A** Select basic model.
- B** Select armcap type.
 

<b>PACBL</b>	- Black poly armcap; add \$223
<b>NAC</b>	- No armcap
<b>WAC</b>	- Wood armcaps; add \$295
- C** Select power & location.
 

<b>M1C</b>	- One power module, centered; add \$267
<b>M1R</b>	- One power module, right-facing; add \$267
<b>M1L</b>	- One power module, left-facing; add \$267
<b>M2</b>	- Two power modules; add \$645
<b>NP</b>	- No power
- D** Select glide.
 

<b>GFT</b>	- Felt glides
<b>GPL</b>	- Plastic glides

Glides adjust 7/8"
- E** Select base/leg finish. Refer to the **Product Color Options** page in this price list. Polished aluminum base/leg requires an upcharge. See FINISH INFORMATION.
- F** Select armcap finish. Refer to the **Product Color Options** page in this price list.
- G** Select power module color.
 

<b>WPBL</b>	- Black/Black power module
<b>WPWH</b>	- White/white power module
- H** Select medallion finish. Refer to the **Product Color Options** page in this price list.
- I** Select upholstery grade/color. Refer to [ki.com/fabrics](http://ki.com/fabrics).
  - For yardage pricing, see Fabric Yardage Pricing page
- J** Select thread color. Refer to the **Product Color Options** page in this price list.

## NOTE

Ganging is not available on Zoetry product.  
 Zoetry is offered in non-contrasting upholstery only, as standard.

## FINISH INFORMATION

- Polished Aluminum Upcharge:  
 Note: the Medallion Finish does not require an upcharge.
- |  |       |
|--|-------|
| Lounge Chair with Privacy Screen Mount |       |
| ZYPNC                                  | \$160 |
| ZYPNB                                  | \$160 |
- 
- |   |       |
|---|-------|
| Lounge Loveseat with Privacy Screen Mount |       |
| ZYPNCC                                    | \$200 |
| ZYPNBB                                    | \$200 |
- 
- |                                       |       |
|---------------------------------------|-------|
| Lounge Sofa with Privacy Screen Mount |       |
| ZYPNCCC                               | \$320 |
| ZYPNCWC                               | \$320 |
- 
- |   |       |
|---|-------|
| Tandem Lounge Sofa with Table with Privacy Screen Mount |       |
| ZYPACRC   | \$320 |
| ZYPACTC   | \$320 |
| ZYPACSC   | \$320 |

- Tandem Lounge Opposing Orientation Sofa with Privacy Screen Mount
- |           |       |
|-----------|-------|
| ZYPACTCL  | \$320 |
| ZYPACTCR  | \$320 |
| ZYPACSCCL | \$320 |
| ZYPACSCCR | \$320 |

## SPECIAL SERVICES

### Special Carton Marking

With specially marked information N/C

**Shipping**  
 Ships assembled, FOB High Point, NC 27263, freight prepaid. Freight class 250.

Specifications and prices are subject to change without prior notice.

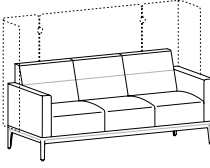
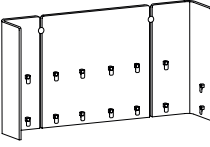
# Zoetry® Privacy Lounge Seating

Lounge Sofa with Privacy Screen



# Zoetry® Privacy Lounge Seating

Lounge Sofa with Privacy Screen

MODEL	MODEL NUMBER										Approx. Packaged Weight	Delivered Pricing	
	Basic Model	Armcap Type	Power & Location	Glide Option	Base Finish	Armcap Finish	Power Color	Medallion Finish	Uph. Color	Thread Color			
 <p><b>Lounge Sofa with Privacy Screen Mount</b></p> <ul style="list-style-type: none"> <li>Includes privacy screen mounts installed. PRIVACY SCREENS MUST BE SPECIFIED SEPARATELY.</li> <li>Fully upholstered, featuring 6" molded foam seat cushions</li> <li>8.5" Die-cast aluminum leg</li> <li>Extruded aluminum base</li> <li>Stitching detail on back rest</li> <li>Debris clean-out spaces</li> <li>Field replaceable components</li> <li>Power located in table surface, when power specified</li> <li>No arms near table to allow for collaboration and storage</li> <li>Non-contrast COM = 8.25 yds</li> </ul> <p>Overall dimensions of lounge with screen attached:</p> <ul style="list-style-type: none"> <li>W=78" D=30" H=50"</li> </ul>	ZYPNCCC	<input type="checkbox"/> <input type="checkbox"/> <input type="checkbox"/>	<input type="checkbox"/> <input type="checkbox"/> <input type="checkbox"/>	<input type="checkbox"/> <input type="checkbox"/> <input type="checkbox"/>	<input type="checkbox"/> <input type="checkbox"/> <input type="checkbox"/>	<input type="checkbox"/> <input type="checkbox"/> <input type="checkbox"/>	<input type="checkbox"/> <input type="checkbox"/> <input type="checkbox"/>		<input type="checkbox"/> <input type="checkbox"/> <input type="checkbox"/>	<input type="checkbox"/> <input type="checkbox"/> <input type="checkbox"/>	231.00#	\$ 4349	
	 <p><b>Privacy Screen for Lounge Sofa</b></p> <ul style="list-style-type: none"> <li>Fully upholstered privacy screens</li> <li>Includes privacy screens, connecting medallion, and mounting hardware.</li> <li>Correlating lounge products must be specified separately</li> <li>Must be field installed on lounge item</li> <li>Provides visual and acoustic privacy benefits</li> <li>Non-contrast COM = 7.5 yds</li> </ul> <p>Overall dimensions of screen:</p> <ul style="list-style-type: none"> <li>W=78" D=16.5" H=41.25"</li> </ul>	ZYSNCCC						<input type="checkbox"/> <input type="checkbox"/>	<input type="checkbox"/> <input type="checkbox"/> <input type="checkbox"/>	<input type="checkbox"/> <input type="checkbox"/> <input type="checkbox"/>		83.00#	\$ 2660
		<b>A</b>	<b>B</b>	<b>C</b>	<b>D</b>	<b>E</b>	<b>F</b>	<b>G</b>	<b>H</b>	<b>I</b>	<b>J</b>		

## HOW TO ORDER

- Indicate the following information on order form:
- Quantity of each item.
  - Model number, including options. See "How to Build a Model Number".
  - Any special service required.

Note: • The  indicates that a choice is required.  
 • The absence of the  indicates that no choice is required.  
 • Alpha-numeric characters in place of  indicate that no other alternatives are available.

## HOW TO BUILD A MODEL NUMBER

- A** Select basic model.
- B** Select armcap type.
  - PACBL** - Black poly armcap; add \$223
  - NAC** - No armcap
  - WAC** - Wood armcaps; add \$295
- C** Select power & location.
  - M1R** - One power module, right-facing; add \$267
  - M1L** - One power module, left-facing; add \$267
  - M2** - Two power modules; add \$645
  - NP** - No power
- D** Select glide.
  - GFT** - Felt glides
  - GPL** - Plastic glides
  - Glides adjust 7/8"
- E** Select base/leg finish. Refer to the **Product Color Options** page in this price list.

- Polished aluminum base/leg requires an upcharge. See FINISH INFORMATION.
- F** Select armcap finish. Refer to the **Product Color Options** page in this price list.
- G** Select power module color.
  - WPBL** - Black/Black power module
  - WPWH** - White/white power module
- H** Select medallion finish. Refer to the **Product Color Options** page in this price list.
- I** Select upholstery grade/color. Refer to [ki.com/fabrics](http://ki.com/fabrics).
  - For yardage pricing, see Fabric Yardage Pricing page
- J** Select thread color. Refer to the **Product Color Options** page in this price list.

**NOTE**  
 Ganging is not available on Zoetry product.  
 Zoetry is offered in non-contrasting upholstery only, as standard.

**FINISH INFORMATION**  
 Polished Aluminum Upcharge:  
 Note: the Medallion Finish does not require an upcharge.

Lounge Chair with Privacy Screen Mount	
ZYPNC	\$160
ZYPNB	\$160
Lounge Loveseat with Privacy Screen Mount	
ZYPNCC	\$200
ZYPNBB	\$200
Lounge Sofa with Privacy Screen Mount	
ZYPNCCC	\$320
ZYPNCWC	\$320
Tandem Lounge Sofa with Table with Privacy Screen Mount	
ZYPACRC	\$320
ZYPACTC	\$320
ZYPACSC	\$320

Tandem Lounge Opposing Orientation Sofa with Privacy Screen Mount

ZYPACTCL	\$320
ZYPACTCR	\$320
ZYPACSCCL	\$320
ZYPACSCR	\$320

## SPECIAL SERVICES

### Special Carton Marking

With specially marked information N/C

**Shipping**  
 Ships assembled, FOB High Point, NC 27263, freight prepaid. Freight class 250.

Specifications and prices are subject to change without prior notice.

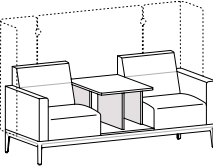
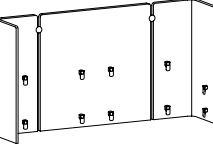
# Zoetry® Privacy Lounge Seating

Lounge Sofa with Privacy Screen



# Zoetry® Privacy Lounge Seating

Lounge Sofa with Privacy Screen

MODEL	MODEL NUMBER												Approx. Packaged Weight	Delivered Pricing	Laminate Grade 2 add to list price	Laminate Grade 3 add to list price
	Basic Model	Arm-cap Type	Pwr Loc	Glide Option	Base Finish	Arm-cap Finish	Pwr Color	Medall Finish	Uph. Color	Thread Color	Table Finish	Edge Color (73P)				
 <p><b>Lounge Sofa, Standard/Working Height Table/Standard, with Privacy Screen Mount</b></p> <ul style="list-style-type: none"> <li>Includes privacy screen mounts installed. PRIVACY SCREENS MUST BE SPECIFIED SEPARATELY.</li> <li>Fully upholstered, featuring 6" molded foam seat cushions</li> <li>8.5" Die-cast aluminum leg</li> <li>Extruded aluminum base</li> <li>Stitching detail on back rest</li> <li>Debris clean-out spaces</li> <li>Field replaceable components</li> <li>Power located in table surface, when power specified</li> <li>No arms near table to allow for collaboration and storage</li> <li>Non-contrast COM = 6 yds</li> </ul> <p>Overall dimensions of lounge with screen attached:                      • W=78" D=30" H=50"</p>	ZYPNCWC	<input type="checkbox"/>	<input type="checkbox"/>	<input type="checkbox"/>	<input type="checkbox"/>	<input type="checkbox"/>	<input type="checkbox"/>		<input type="checkbox"/>	<input type="checkbox"/>	<input type="checkbox"/>	<input type="checkbox"/>	241.00#	\$ 4791	\$ 27	\$ 178
 <p><b>Privacy Screen for Lounge Sofa, Standard/Working Height Table/Standard</b></p> <ul style="list-style-type: none"> <li>Fully upholstered privacy screens</li> <li>Includes privacy screens, connecting medallion, and mounting hardware.</li> <li>Correlating lounge products must be specified separately</li> <li>Must be field installed on lounge item</li> <li>Provides visual and acoustic privacy benefits</li> <li>Non-contrast COM = 7.5 yds</li> </ul> <p>Overall dimensions of screen:                      • W=78" D=16.5" H=41.25"</p>	ZYSNCWC						<input type="checkbox"/>	<input type="checkbox"/>	<input type="checkbox"/>				83.00#	\$ 2582	N/A	N/A

**A B C D E F G H I J K L**

## HOW TO ORDER

- Indicate the following information on order form:
- Quantity of each item.
  - Model number, including options. See "How To Build a Model Number".
  - Any special service required.

Note: • The  indicates that a choice is required.  
 • The absence of the  indicates that no choice is required.  
 • Alpha-numeric characters in place of  indicate that no other alternatives are available.

## HOW TO BUILD A MODEL NUMBER

- A** Select basic model.
- B** Select armcap type.
  - PACBL - Black poly armcap; add \$223
  - NAC - No armcap
  - WAC - Wood armcaps; add \$295
- C** Select power & location.
  - M1 - One power module; add \$248
  - NP - No power
- D** Select glide.
  - GFT - Felt glides
  - GPL - Plastic glides
  - Glides adjust 7/8"
- E** Select base/leg finish.
  - Refer to the **Product Color Options** page in this price list.
  - Polished aluminum base/leg requires an upcharge. See FINISH INFORMATION.

- F** Select armcap finish.
  - Refer to the **Product Color Options** page in this price list.
- G** Select power module color.
  - WPBL - Black/Black power module
  - WPSL - Silver/White power module
  - WPWH - White/white power module
- H** Select medallion finish.
  - Refer to the **Product Color Options** page in this price list.
- I** Select upholstery grade/color.
  - Refer to [ki.com/fabrics](http://ki.com/fabrics).
  - For yardage pricing, see Fabric Yardage Pricing page
- J** Select thread color.
  - Refer to the **Product Color Options** page in this price list.
- K** Select laminate table finish.
  - Refer to the **Product Color Options** page in this price list.
- L** Select 73P edge color.
  - Refer to the **Product Color Options** page in this price list.

**NOTE**  
 Ganging is not available on Zoetry product.

Zoety is offered in non-contrasting upholstery only, as standard.

**FINISH INFORMATION**  
 Polished Aluminum Upcharge:  
 Note: the Medallion Finish does not require an upcharge.

Lounge Chair with Privacy Screen Mount  
 ZYPNC \$160  
 ZYPNB \$160

Lounge Loveseat with Privacy Screen Mount  
 ZYPNCC \$200  
 ZYPNBB \$200

Lounge Sofa with Privacy Screen Mount  
 ZYPNCCC \$320  
 ZYPNCWC \$320

Tandem Lounge Sofa with Table with Privacy Screen Mount  
 ZYPACRC \$320  
 ZYPACTC \$320  
 ZYPACSC \$320

Tandem Lounge Opposing Orientation Sofa with Privacy Screen Mount  
 ZYPACTCL \$320  
 ZYPACTCR \$320  
 ZYPACSCCL \$320  
 ZYPACSCR \$320

## FINISH INFORMATION

### ADDITIONAL LAMINATE OFFERING

KI offers laminates beyond those offered in the standard offering. Laminates that are currently available in the program can be viewed in KI product specification tools. Requests to add laminates to the program can be submitted via the product modification request process. Please note, requests to add laminates to the program must include the laminate manufacturers name, color/pattern number, and finish code. Edge options are limited to standard edge colors. If a matching edge is required, this will need to be requested thru the product modification request process and may be subject to additional costs. Due to varying manufacturing processes and quality issues with some laminates, some requests may be denied. Extended lead times and minimum order quantities may apply on orders containing special laminates. Contact the product modification team for questions or additional information regarding special laminates and pricing.

## SPECIAL SERVICES

### Special Carton Marking

With specially marked information N/C

**Shipping**  
 Ships assembled, FOB High Point, NC 27263, freight prepaid. Freight class 250.

Specifications and prices are subject to change without prior notice.

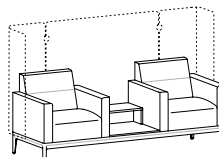
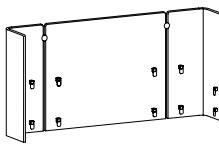
# Zoetry® Privacy Lounge Seating

Tandem Lounge Sofa with Table, with Privacy Screen



# Zoetry® Privacy Lounge Seating

Tandem Lounge Sofa with Table, with Privacy Screen

MODEL	MODEL NUMBER												Approx. Packaged Weight	Delivered Pricing	Laminate Grade 2 add to list price	Laminate Grade 3 add to list price
	Basic Model	Arm-cap Type	Pwr Loc	Glide Option	Base Finish	Arm-cap Finish	Pwr Color	Medallion Finish	Uph. Color	Thread Color	Table Finish	Edge Color (73P)				
 <p><b>Zoetry Tandem Lounge Sofa, Standard/Raised Table/Standard, with Privacy Screen Mount</b></p> <ul style="list-style-type: none"> <li>Includes privacy screen mounts installed. PRIVACY SCREENS MUST BE SPECIFIED SEPARATELY.</li> <li>Fully upholstered, featuring 6" molded foam seat cushions</li> <li>8.5" Die-cast aluminum leg</li> <li>Extruded aluminum base</li> <li>Stitching detail on back rest</li> <li>Debris clean-out spaces</li> <li>Field replaceable components</li> <li>Power located in table surface, when power specified</li> <li>Separating arms</li> <li>Table features raised portion for easy access to personal items</li> <li>Non-contrast COM = 8.25 yds</li> </ul> <p>Overall dimensions of lounge with screen attached:                      • W=86" D=30" H=50"</p>	ZYPACRC	<input type="checkbox"/>	<input type="checkbox"/>	<input type="checkbox"/>	<input type="checkbox"/>	<input type="checkbox"/>	<input type="checkbox"/>		<input type="checkbox"/>	<input type="checkbox"/>	<input type="checkbox"/>	<input type="checkbox"/>	286.00#	\$ 4791	\$ 27	\$ 178
 <p><b>Privacy Screen for Tandem Lounge Sofa, Standard/Raised Table/Standard</b></p> <ul style="list-style-type: none"> <li>Fully upholstered privacy screens</li> <li>Includes privacy screens, connecting medallion, and mounting hardware.</li> <li>Correlating lounge products must be specified separately</li> <li>Must be field installed on lounge item</li> <li>Provides visual and acoustic privacy benefits</li> <li>Non-contrast COM = 7.5 yds</li> </ul> <p>Overall dimensions of screen:                      • W=86" D=16.5" H=41.25"</p>	ZYSACRC						<input type="checkbox"/>	<input type="checkbox"/>	<input type="checkbox"/>				95.00#	\$ 2681	N/A	N/A

**A B C D E F G H I J K L**

## HOW TO ORDER

- Indicate the following information on order form:
- Quantity of each item.
  - Model number, including options. See "How To Build a Model Number".
  - Any special service required.

Note: • The  indicates that a choice is required.  
 • The absence of the  indicates that no choice is required.  
 • Alpha-numeric characters in place of  indicate that no other alternatives are available.

## HOW TO BUILD A MODEL NUMBER

- A** Select basic model.
- B** Select armcap type.
 

PACBL	- Black poly armcap; add \$445
NAC	- No armcap
WAC	- Wood armcaps; add \$589
- C** Select power & location.
 

M1	- One power module; add \$248
NP	- No power
- D** Select glide.
 

GFT	- Felt glides
GPL	- Plastic glides

Glides adjust 7/8"
- E** Select base/leg finish. Refer to the **Product Color Options** page in this price list. Polished aluminum base/leg requires an upcharge. See FINISH INFORMATION.

- F** Select armcap finish. Refer to the **Product Color Options** page in this price list.
- G** Select power module color.
 

WPBL	- Black/Black power module
WPSL	- Silver/White power module
WPWH	- White/white power module
- H** Select medallion finish. Refer to the **Product Color Options** page in this price list.
- I** Select upholstery grade/color. Refer to [ki.com/fabrics](http://ki.com/fabrics).
  - For yardage pricing, see Fabric Yardage Pricing page
- J** Select thread color. Refer to the **Product Color Options** page in this price list.
- K** Select laminate table finish. Refer to the **Product Color Options** page in this price list.
- L** Select 73P edge color. Refer to the **Product Color Options** page in this price list.

## NOTE

Ganging is not available on Zoetry product.  
 Zoety is offered in non-contrasting upholstery only, as standard.

## FINISH INFORMATION

Polished Aluminum Upcharge:  
 Note: the Medallion Finish does not require an upcharge.

Lounge Chair with Privacy Screen Mount  
 ZYPNC \$160  
 ZYPNB \$160

Lounge Loveseat with Privacy Screen Mount  
 ZYPNCC \$200  
 ZYPNBB \$200

Lounge Sofa with Privacy Screen Mount  
 ZYPNCCC \$320  
 ZYPNCWC \$320

Tandem Lounge Sofa with Table with Privacy Screen Mount  
 ZYPACRC \$320  
 ZYPACTC \$320  
 ZYPACSC \$320

Tandem Lounge Opposing Orientation Sofa with Privacy Screen Mount  
 ZYPACTCL \$320  
 ZYPACTCR \$320  
 ZYPACSCCL \$320  
 ZYPACSCCR \$320

## FINISH INFORMATION

### ADDITIONAL LAMINATE OFFERING

KI offers laminates beyond those offered in the standard offering. Laminates that are currently available in the program can be viewed in KI product specification tools. Requests to add laminates to the program can be submitted via the product modification request process. Please note, requests to add laminates to the program must include the laminate manufacturers name, color/pattern number, and finish code. Edge options are limited to standard edge colors. If a matching edge is required, this will need to be requested thru the product modification request process and may be subject to additional costs. Due to varying manufacturing processes and quality issues with some laminates, some requests may be denied. Extended lead times and minimum order quantities may apply on orders containing special laminates. Contact the product modification team for questions or additional information regarding special laminates and pricing.

## SPECIAL SERVICES

### Special Carton Marking

With specially marked information N/C

**Shipping**  
 Ships assembled, FOB High Point, NC 27263, freight prepaid. Freight class 250.

Specifications and prices are subject to change without prior notice.

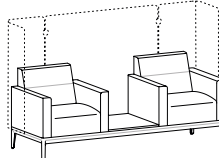
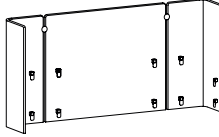
# Zoetry® Privacy Lounge Seating

Tandem Lounge Sofa with Table, with Privacy Screen



# Zoetry® Privacy Lounge Seating

Tandem Lounge Sofa with Table, with Privacy Screen

MODEL	MODEL NUMBER											Approx. Packaged Weight	Delivered Pricing	Laminate Grade 2 add to list price	Laminate Grade 3 add to list price	
	Basic Model	Arm-cap Type	Pwr Loc	Glide Option	Base Finish	Arm-cap Finish	Pwr Color	Medall Finish	Uph. Color	Thread Color	Table Finish					Edge Color (73P)
 <p><b>Tandem Lounge, Standard/Flat Table/Standard, with Privacy Screen Mount</b></p> <ul style="list-style-type: none"> <li>Includes privacy screen mounts installed. PRIVACY SCREENS MUST BE SPECIFIED SEPARATELY.</li> <li>Fully upholstered, featuring 6" molded foam seat cushions</li> <li>8.5" Die-cast aluminum leg</li> <li>Extruded aluminum base</li> <li>Stitching detail on back rest</li> <li>Debris clean-out spaces</li> <li>Field replaceable components</li> <li>Power located in table surface, when power specified</li> <li>Separating arms</li> <li>In-line table supports personal items</li> <li>Non-contrast COM = 8.25 yds</li> </ul> <p>Overall dimensions of lounge with screen attached:                      • W=86" D=30" H=50"</p>	ZYPACTC	<input type="checkbox"/>	<input type="checkbox"/>	<input type="checkbox"/>	<input type="checkbox"/>	<input type="checkbox"/>	<input type="checkbox"/>		<input type="checkbox"/>	<input type="checkbox"/>	<input type="checkbox"/>		280.00#	\$ 4349	\$ 19	\$ 120
 <p><b>Privacy Screen for Tandem Lounge, Standard/Flat Table/Standard</b></p> <ul style="list-style-type: none"> <li>Fully upholstered privacy screens</li> <li>Includes privacy screens, connecting medallion, and mounting hardware.</li> <li>Correlating lounge products must be specified separately</li> <li>Must be field installed on lounge item</li> <li>Provides visual and acoustic privacy benefits</li> </ul> <p>Non-contrast COM = 7.5 yds                      Overall dimensions of screen:                      • W=86" D=16.5" H=41.25"</p>	ZYSACTC						<input type="checkbox"/>	<input type="checkbox"/>	<input type="checkbox"/>				89.00#	\$ 2681	N/A	N/A

**A B C D E F G H I J K L**

## HOW TO ORDER

- Indicate the following information on order form:
- Quantity of each item.
  - Model number, including options. See "How To Build a Model Number".
  - Any special service required.

Note: • The  indicates that a choice is required.  
 • The absence of the  indicates that no choice is required.  
 • Alpha-numeric characters in place of  indicate that no other alternatives are available.

## HOW TO BUILD A MODEL NUMBER

- A** Select basic model.
- B** Select armcap type.
 

<b>PACBL</b>	- Black poly armcap; add \$445
<b>NAC</b>	- No armcap
<b>WAC</b>	- Wood armcaps; add \$589
- C** Select power & location.
 

<b>M1</b>	- One power module; add \$248
<b>NP</b>	- No power
- D** Select glide.
 

<b>GFT</b>	- Felt glides
<b>GPL</b>	- Plastic glides

 Glides adjust 7/8"
- E** Select base/leg finish. Refer to the **Product Color Options** page in this price list. Polished aluminum base/leg requires an upcharge. See FINISH INFORMATION.

- F** Select armcap finish. Refer to the **Product Color Options** page in this price list.
- G** Select power module color.
 

<b>WPBL</b>	- Black/Black power module
<b>WPSL</b>	- Silver/White power module
<b>WPWH</b>	- White/white power module
- H** Select medallion finish. Refer to the **Product Color Options** page in this price list.
- I** Select upholstery grade/color. Refer to [ki.com/fabrics](http://ki.com/fabrics).
  - For yardage pricing, see Fabric Yardage Pricing page
- J** Select thread color. Refer to the **Product Color Options** page in this price list.
- K** Select laminate table finish. Refer to the **Product Color Options** page in this price list.
- L** Select 73P edge color. Refer to the **Product Color Options** page in this price list.

## NOTE

Ganging is not available on Zoetry product.

Zoetry is offered in non-contrasting upholstery only, as standard.

## FINISH INFORMATION

Polished Aluminum Upcharge:  
 Note: the Medallion Finish does not require an upcharge.

Lounge Chair with Privacy Screen Mount	
ZYPNC	\$160
ZYPNB	\$160

Lounge Loveseat with Privacy Screen Mount	
ZYPNCC	\$200
ZYPNBB	\$200

Lounge Sofa with Privacy Screen Mount	
ZYPNCCC	\$320
ZYPNCWC	\$320

Tandem Lounge Sofa with Table with Privacy Screen Mount	
ZYPACRC	\$320
ZYPACTC	\$320
ZYPACSC	\$320

Tandem Lounge Opposing Orientation Sofa with Privacy Screen Mount	
ZYPACTCL	\$320
ZYPACTCR	\$320
ZYPACSCCL	\$320
ZYPACSCCR	\$320

## FINISH INFORMATION

### ADDITIONAL LAMINATE OFFERING

KI offers laminates beyond those offered in the standard offering. Laminates that are currently available in the program can be viewed in KI product specification tools. Requests to add laminates to the program can be submitted via the product modification request process. Please note, requests to add laminates to the program must include the laminate manufacturers name, color/pattern number, and finish code. Edge options are limited to standard edge colors. If a matching edge is required, this will need to be requested thru the product modification request process and may be subject to additional costs. Due to varying manufacturing processes and quality issues with some laminates, some requests may be denied. Extended lead times and minimum order quantities may apply on orders containing special laminates. Contact the product modification team for questions or additional information regarding special laminates and pricing.

## SPECIAL SERVICES

### Special Carton Marking

With specially marked information N/C

**Shipping**  
 Ships assembled, FOB High Point, NC 27263, freight prepaid. Freight class 250.

Specifications and prices are subject to change without prior notice.

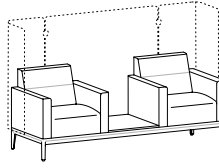
# Zoetry® Privacy Lounge Seating

Tandem Lounge with Table, with Privacy Screen



# Zoetry® Privacy Lounge Seating

Tandem Lounge with Table, with Privacy Screen

MODEL	MODEL NUMBER										Approx. Packaged Weight	Delivered Pricing
	Basic Model	Armcap Type	Power & Location	Glide Option	Base Finish	Armcap Finish	Pwr Color	Medall Finish	Uph. Color	Thread Color		
 <p><b>Zoetry Tandem Lounge Sofa, Standard/Solid Surface Table/Standard, with Privacy Screen Mount</b></p> <ul style="list-style-type: none"> <li>Includes privacy screen mounts installed. PRIVACY SCREENS MUST BE SPECIFIED SEPARATELY.</li> <li>Fully upholstered, featuring 6" molded foam seat cushions</li> <li>8.5" Die-cast aluminum leg</li> <li>Extruded aluminum base</li> <li>Stitching detail on back rest</li> <li>Debris clean-out spaces</li> <li>Field replaceable components</li> <li>Power located in table surface, when power specified</li> <li>Separating arms</li> <li>Corian® Solid Surface table supports personal items</li> <li>Non-contrast COM = 8.25 yds</li> </ul> <p>Overall dimensions of lounge with screen attached:                      • W=86" D=30" H=50"</p>	ZYPACSC	<input type="checkbox"/>	<input type="checkbox"/>	<input type="checkbox"/>	<input type="checkbox"/>	<input type="checkbox"/>	<input type="checkbox"/>		<input type="checkbox"/>	<input type="checkbox"/>	271.00#	\$ 4791
	<p><b>Zoetry Privacy Screen for Tandem Lounge Sofa, Standard/Solid Surface Table/Standard</b></p> <ul style="list-style-type: none"> <li>Fully upholstered privacy screens</li> <li>Includes privacy screens, connecting medallion, and mounting hardware.</li> <li>Correlating lounge products must be specified separately</li> <li>Must be field installed on lounge item</li> <li>Provides visual and acoustic privacy benefits</li> <li>Non-contrast COM = 7.5 yds</li> </ul> <p>Overall dimensions of screen:                      • W=86" D=16.5" H=41.25"</p>	ZYSACSC							<input type="checkbox"/>	<input type="checkbox"/>	<input type="checkbox"/>	90.00#
	<b>A</b>	<b>B</b>	<b>C</b>	<b>D</b>	<b>E</b>	<b>F</b>	<b>G</b>	<b>H</b>	<b>I</b>	<b>J</b>		

## HOW TO ORDER

- Indicate the following information on order form:
- Quantity of each item.
  - Model number, including options. See "How To Build a Model Number".
  - Any special service required.

Note: • The  indicates that a choice is required.  
 • The absence of the  indicates that no choice is required.  
 • Alpha-numeric characters in place of  indicate that no other alternatives are available.

## HOW TO BUILD A MODEL NUMBER

- A** Select basic model.
- B** Select armcap type.
 

<b>PACBL</b>	- Black poly armcap; add \$445
<b>NAC</b>	- No armcap
<b>WAC</b>	- Wood armcaps; add \$589
- C** Select power & location.
 

<b>M1</b>	- One power module; add \$248
<b>NP</b>	- No power
- D** Select glide.
 

<b>GFT</b>	- Felt glides
<b>GPL</b>	- Plastic glides

Glides adjust 7/8"
- E** Select base/leg finish. Refer to the **Product Color Options** page in this price list. Polished aluminum base/leg requires an upcharge. See FINISH INFORMATION.
- F** Select armcap finish. Refer to the **Product Color Options** page in this price list.
- G** Select power module color.
 

<b>WPBL</b>	- Black/Black power module
<b>WPSL</b>	- Silver/White power module
<b>WPWH</b>	- White/white power module
- H** Select medallion finish. Refer to the **Product Color Options** page in this price list.
- I** Select upholstery grade/color. Refer to **ki.com/fabrics**.  
 • For yardage pricing, see Fabric Yardage Pricing page
- J** Select thread color. Refer to the **Product Color Options** page in this price list.

## NOTE

Solid surface color is always Corian® Glacier White. Corian® is a DuPont brand.

Ganging is not available on Zoetry product.

Zoety is offered in non-contrasting upholstery only, as standard.

## FINISH INFORMATION

Polished Aluminum Upcharge:  
 Note: the Medallion Finish does not require an upcharge.

Lounge Chair with Privacy Screen Mount  
 ZYPNC \$160  
 ZYPNB \$160

Lounge Loveseat with Privacy Screen Mount  
 ZYPNCC \$200  
 ZYPNBB \$200

Lounge Sofa with Privacy Screen Mount  
 ZYPNCCC \$320  
 ZYPNCWC \$320

Tandem Lounge Sofa with Table with Privacy Screen Mount  
 ZYPACRC \$320  
 ZYPACTC \$320  
 ZYPACSC \$320

Tandem Lounge Opposing Orientation Sofa with Privacy Screen Mount  
 ZYPACTCL \$320  
 ZYPACTCR \$320  
 ZYPACSCCL \$320  
 ZYPACSCCR \$320

## SPECIAL SERVICES

### Special Carton Marking

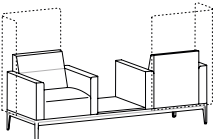
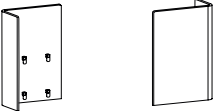
With specially marked information N/C

### Shipping

Ships **assembled, FOB High Point, NC 27263, freight prepaid.** Freight class 250.

Specifications and prices are subject to change without prior notice.



MODEL	MODEL NUMBER											Approx. Packaged Weight	Delivered Pricing	Laminate Grade 2 add to list price	Laminate Grade 3 add to list price	
	Basic Model	Arm-cap Type	Pwr Loc	Glide Option	Base Finish	Arm-cap Finish	Pwr Color	Uph. Color	Thread Color	Table Finish	Edge Color (73P)					
 <p><b>Zoetry Lounge Opposing Orientation Sofa, Standard/Table/Standard, Left-facing, with Privacy Screen Mount</b></p> <ul style="list-style-type: none"> <li>Includes privacy screen mounts installed. PRIVACY SCREENS MUST BE SPECIFIED SEPARATELY.</li> <li>Fully upholstered, featuring 6" molded foam seat cushions</li> <li>8.5" Die-cast aluminum leg</li> <li>Extruded aluminum base</li> <li>Stitching detail on back rest</li> <li>Debris clean-out spaces</li> <li>Field replaceable components</li> <li>Power located in table surface, when power specified</li> <li>Separating arms</li> <li>In-line table supports personal items</li> <li>Opposing Orientation maximizes space utilization while creating separate lines of sight</li> <li>Non-contrast COM = 8.25 yds</li> </ul> <p>Overall dimensions of lounge with screen attached: • W=86" D=33" H=50"</p>	ZYPACTCL	<input type="checkbox"/>	<input type="checkbox"/>	<input type="checkbox"/>	<input type="checkbox"/>	<input type="checkbox"/>	<input type="checkbox"/>	<input type="checkbox"/>	<input type="checkbox"/>	<input type="checkbox"/>	<input type="checkbox"/>	276.00#	\$ 4349	\$ 19	\$ 120	
	 <p><b>Zoetry Privacy Screen for Lounge Opposing Orientation Sofa, Standard/Table/Standard, Left-facing</b></p> <ul style="list-style-type: none"> <li>Fully upholstered privacy screens</li> <li>Includes privacy screens and mounting hardware.</li> <li>Correlating lounge products must be specified separately</li> <li>Must be field installed on lounge item</li> <li>Provides visual and acoustic privacy benefits</li> <li>Non-contrast COM = 5 yds</li> </ul> <p>Dimensions of each individual screen: • W=29.5" D=16.6" H=41.25"</p>	ZYSACTCL						<input type="checkbox"/>	<input type="checkbox"/>				60.00#	\$ 1694	N/A	N/A
		<b>A</b>	<b>B</b>	<b>C</b>	<b>D</b>	<b>E</b>	<b>F</b>	<b>G</b>	<b>H</b>	<b>I</b>	<b>J</b>	<b>K</b>				

**HOW TO ORDER**

- Indicate the following information on order form:
- Quantity of each item.
  - Model number, including options. See "How To Build a Model Number".
  - Any special service required.

Note: • The  indicates that a choice is required.  
• The absence of the  indicates that no choice is required.  
• Alpha-numeric characters in place of  indicate that no other alternatives are available.

**HOW TO BUILD A MODEL NUMBER**

- A** Select basic model.
- B** Select armcap type.
  - PACBL** - Black poly armcap; add \$445
  - NAC** - No armcap
  - WAC** - Wood armcaps; add \$589
- C** Select power & location.
  - M1** - One power module; add \$248
  - NP** - No power
- D** Select glide.
  - GFT** - Felt glides
  - GPL** - Plastic glides

Glides adjust 7/8"
- E** Select base/leg finish.
 

Refer to the **Product Color Options** page in this price list.  
Polished aluminum base/leg requires an upcharge. See FINISH INFORMATION.

- F** Select armcap finish.
 

Refer to the **Product Color Options** page in this price list.
- G** Select power module color.
  - WPBL** - Black/Black power module
  - WP SL** - Silver/White power module
  - WPWH** - White/white power module
- H** Select upholstery grade/color.
 

Refer to **ki.com/fabrics**.  
• For yardage pricing, see Fabric Yardage Pricing page
- I** Select thread color.
 

Refer to the **Product Color Options** page in this price list.
- J** Select laminate table finish.
 

Refer to the **Product Color Options** page in this price list.
- K** Select 73P edge color.
 

Refer to the **Product Color Options** page in this price list.

**FINISH INFORMATION**

- Polished Aluminum Upcharge:  
Note: the Medallion Finish does not require an upcharge.
- Lounge Chair with Privacy Screen Mount
  - ZYPNC \$160
  - ZYPNB \$160
- Lounge Loveseat with Privacy Screen Mount
  - ZYPNCC \$200
  - ZYPNBB \$200
- Lounge Sofa with Privacy Screen Mount
  - ZYPNCCC \$320
  - ZYPNCWC \$320
- Tandem Lounge Sofa with Table with Privacy Screen Mount
  - ZYPACRC \$320
  - ZYPACTC \$320
  - ZYPACSC \$320

- Tandem Lounge Opposing Orientation Sofa with Privacy Screen Mount
- ZYPACTCL \$320
  - ZYPACTCR \$320
  - ZYPACSCCL \$320
  - ZYPACSCR \$320

**NOTE**  
Ganging is not available on Zoetry product.

Zoetry is offered in non-contrasting upholstery only, as standard.

**FINISH INFORMATION**

ADDITIONAL LAMINATE OFFERING

KI offers laminates beyond those offered in the standard offering. Laminates that are currently available in the program can be viewed in KI product specification tools. Requests to add laminates to the program can be submitted via the product modification request process. Please note, requests to add laminates to the program must include the laminate manufacturers name, color/pattern number, and finish code. Edge options are limited to standard edge colors. If a matching edge is required, this will need to be requested thru the product modification request process and may be subject to additional costs. Due to varying manufacturing processes and quality issues with some laminates, some requests may be denied. Extended lead times and minimum order quantities may apply on orders containing special laminates. Contact the product modification team for questions or additional information regarding special laminates and pricing.

**SPECIAL SERVICES**

**Special Carton Marking**

With specially marked information N/C

**Shipping**  
Ships **assembled, FOB High Point, NC 27263, freight prepaid.** Freight class 250.

Specifications and prices are subject to change without prior notice.

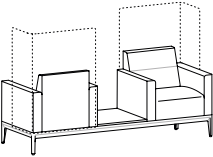
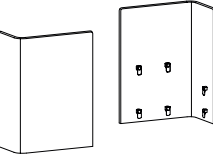
# Zoetry® Privacy Lounge Seating

Tandem Lounge Opposing Orientation Sofa with Privacy Screen



# Zoetry® Privacy Lounge Seating

Tandem Lounge Opposing Orientation Sofa with Privacy Screen

MODEL	MODEL NUMBER											Approx. Packaged Weight	Delivered Pricing	Laminate Grade 2 add to list price	Laminate Grade 3 add to list price	
	Basic Model	Arm-cap Type	Pwr Loc	Glide Option	Base Finish	Arm-cap Finish	Pwr Color	Uph. Color	Thread Color	Table Finish	Edge Color (73P)					
 <p><b>Zoetry Lounge Opposing Orientation Sofa, Standard/Table/Standard, Right-facing, with Privacy Screen Mount</b></p> <ul style="list-style-type: none"> <li>Includes privacy screen mounts installed. PRIVACY SCREENS MUST BE SPECIFIED SEPARATELY.</li> <li>Fully upholstered, featuring 6" molded foam seat cushions</li> <li>8.5" Die-cast aluminum leg</li> <li>Extruded aluminum base</li> <li>Stitching detail on back rest</li> <li>Debris clean-out spaces</li> <li>Field replaceable components</li> <li>Power located in table surface, when power specified</li> <li>Separating arms</li> <li>In-line table supports personal items</li> <li>Opposing Orientation maximizes space utilization while creating separate lines of sight</li> <li>Non-contrast COM = 8.25 yds</li> </ul> <p>Overall dimensions of lounge with screen attached:                      • W=86" D=33" H=50"</p>	ZYPACTCR	<input type="checkbox"/>	<input type="checkbox"/>	<input type="checkbox"/>	<input type="checkbox"/>	<input type="checkbox"/>	<input type="checkbox"/>	<input type="checkbox"/>	<input type="checkbox"/>	<input type="checkbox"/>	<input type="checkbox"/>	276.00#	\$ 4349	\$ 19	\$ 120	
	 <p><b>Zoetry Privacy Screen for Lounge Opposing Orientation Sofa, Standard/Table/Standard, Right-facing</b></p> <ul style="list-style-type: none"> <li>Fully upholstered privacy screens</li> <li>Includes privacy screens and mounting hardware.</li> <li>Correlating lounge products must be specified separately</li> <li>Must be field installed on lounge item</li> <li>Provides visual and acoustic privacy benefits</li> <li>Non-contrast COM = 5 yds</li> </ul> <p>Dimensions of each individual screen:                      • W=29.5" D=16.6" H=41.25"</p>	ZYSACTCR						<input type="checkbox"/>	<input type="checkbox"/>				60.00#	\$ 2673	N/A	N/A
		<b>A</b>	<b>B</b>	<b>C</b>	<b>D</b>	<b>E</b>	<b>F</b>	<b>G</b>	<b>H</b>	<b>I</b>	<b>J</b>	<b>K</b>				

### HOW TO ORDER

- Indicate the following information on order form:
- Quantity of each item.
  - Model number, including options. See "How To Build a Model Number".
  - Any special service required.

Note: • The  indicates that a choice is required.  
 • The absence of the  indicates that no choice is required.  
 • Alpha-numeric characters in place of  indicate that no other alternatives are available.

### HOW TO BUILD A MODEL NUMBER

- A** Select basic model.
- B** Select armcap type.
 

<b>PACBL</b>	- Black poly armcap; add \$445
<b>NAC</b>	- No armcap
<b>WAC</b>	- Wood armcaps; add \$589
- C** Select power & location.
 

<b>M1</b>	- One power module; add \$248
<b>NP</b>	- No power
- D** Select glide.
 

<b>GFT</b>	- Felt glides
<b>GPL</b>	- Plastic glides

 Glides adjust 7/8"
- E** Select base/leg finish. Refer to the **Product Color Options** page in this price list. Polished aluminum base/leg requires an upcharge. See FINISH INFORMATION.
- F** Select armcap finish. Refer to the **Product Color Options** page in this price list.
- G** Select power module color.
 

<b>WPBL</b>	- Black/Black power module
<b>WPSL</b>	- Silver/White power module
<b>WPWH</b>	- White/white power module
- H** Select upholstery grade/color. Refer to [ki.com/fabrics](http://ki.com/fabrics).  
 • For yardage pricing, see Fabric Yardage Pricing page
- I** Select thread color. Refer to the **Product Color Options** page in this price list.
- J** Select laminate table finish. Refer to the **Product Color Options** page in this price list.
- K** Select 73P edge color. Refer to the **Product Color Options** page in this price list.

### NOTE

Ganging is not available on Zoetry product.  
 Zoetry is offered in non-contrasting upholstery only, as standard.

### FINISH INFORMATION

- Polished Aluminum Upcharge:  
 Note: the Medallion Finish does not require an upcharge.
- |   |       |
|---|-------|
| Lounge Chair with Privacy Screen Mount                  |       |
| ZYPNC   | \$160 |
| ZYPNB   | \$160 |
| Lounge Loveseat with Privacy Screen Mount               |       |
| ZYPNCC  | \$200 |
| ZYPNB   | \$200 |
| Lounge Sofa with Privacy Screen Mount                   |       |
| ZYPNCCC   | \$320 |
| ZYPNCWC   | \$320 |
| Tandem Lounge Sofa with Table with Privacy Screen Mount |       |
| ZYPACRC   | \$320 |
| ZYPACTC   | \$320 |
| ZYPACSC   | \$320 |

- Tandem Lounge Opposing Orientation Sofa with Privacy Screen Mount
- |           |       |
|-----------|-------|
| ZYPACTCL  | \$320 |
| ZYPACTCR  | \$320 |
| ZYPACSCCL | \$320 |
| ZYPACSCR  | \$320 |

### FINISH INFORMATION

#### ADDITIONAL LAMINATE OFFERING

KI offers laminates beyond those offered in the standard offering. Laminates that are currently available in the program can be viewed in KI product specification tools. Requests to add laminates to the program can be submitted via the product modification request process. Please note, requests to add laminates to the program must include the laminate manufacturers name, color/pattern number, and finish code. Edge options are limited to standard edge colors. If a matching edge is required, this will need to be requested thru the product modification request process and may be subject to additional costs. Due to varying manufacturing processes and quality issues with some laminates, some requests may be denied. Extended lead times and minimum order quantities may apply on orders containing special laminates. Contact the product modification team for questions or additional information regarding special laminates and pricing.

### SPECIAL SERVICES

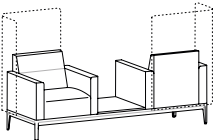
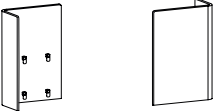
#### Special Carton Marking

With specially marked information N/C

**Shipping**  
 Ships assembled, FOB High Point, NC 27263, freight prepaid. Freight class 250.

Specifications and prices are subject to change without prior notice.



MODEL	MODEL NUMBER									Approx. Packaged Weight	Delivered Pricing	
	Basic Model	Armcap Type	Power & Location	Glide Option	Base Finish	Armcap Finish	Pwr Color	Uph. Color	Thread Color			
 <p><b>Lounge Opposing Orientation Sofa, Standard/Solid Surface Table/Standard, Left-facing, with Privacy Screen Mount</b></p> <ul style="list-style-type: none"> <li>Includes privacy screen mounts installed. PRIVACY SCREENS MUST BE SPECIFIED SEPARATELY.</li> <li>Fully upholstered, featuring 6" molded foam seat cushions</li> <li>8.5" Die-cast aluminum leg</li> <li>Extruded aluminum base</li> <li>Stitching detail on back rest</li> <li>Debris clean-out spaces</li> <li>Field replaceable components</li> <li>Power located in table surface, when power specified</li> <li>Separating arms</li> <li>Corian® Solid Surface in-line table supports personal items</li> <li>Opposing Orientation maximizes space utilization while creating separate lines of sight</li> <li>Non-contrast COM = 8.25 yds</li> </ul> <p>Overall dimensions of lounge with screen attached: • W=86" D=33" H=50"</p>	ZYPACSL	<input type="checkbox"/>	<input type="checkbox"/>	<input type="checkbox"/>	<input type="checkbox"/>	<input type="checkbox"/>	<input type="checkbox"/>	<input type="checkbox"/>	<input type="checkbox"/>	271.00#	\$ 4791	
 <p><b>Privacy Screen for Lounge Opposing Orientation Sofa, Standard/Solid Surface Table/Standard, Left-facing</b></p> <ul style="list-style-type: none"> <li>Fully upholstered privacy screens</li> <li>Includes privacy screens and mounting hardware.</li> <li>Correlating lounge products must be specified separately</li> <li>Must be field installed on lounge item</li> <li>Provides visual and acoustic privacy benefits</li> <li>Non-contrast COM = 5 yds</li> </ul> <p>Dimensions of each individual screen: • W=29.5" D=16.6" H=41.25"</p>	ZYSACSL							<input type="checkbox"/>	<input type="checkbox"/>	60.00#	\$ 1694	

**A B C D E F G H I**

**HOW TO ORDER**

Indicate the following information on order form:

- Quantity of each item.
- Model number, including options. See "How To Build a Model Number".
- Any special service required.

Note:

- The  indicates that a choice is required.
- The absence of the  indicates that no choice is required.
- Alpha-numeric characters in place of  indicate that no other alternatives are available.

**HOW TO BUILD A MODEL NUMBER**

**A** Select basic model.

**B** Select armcap type.

**PACBL** - Black poly armcap; add \$445  
**NAC** - No armcap  
**WAC** - Wood armcaps; add \$589

**C** Select power & location.

**M1** - One power module; add \$248  
**NP** - No power

**D** Select glide.

**GFT** - Felt glides  
**GPL** - Plastic glides  
 Glides adjust 7/8"

**E** Select base/leg finish.

Refer to the **Product Color Options** page in this price list.  
 Polished aluminum base/leg requires an upcharge. See FINISH INFORMATION.

**F** Select armcap finish.

Refer to the **Product Color Options** page in this price list.

**G** Select power module color.

**WPBL** - Black/Black power module  
**WPSL** - Silver/White power module  
**WPWH** - White/white power module

**H** Select upholstery grade/color.

Refer to **ki.com/fabrics**.  
 • For yardage pricing, see Fabric Yardage Pricing page

**I** Select thread color.

Refer to the **Product Color Options** page in this price list.

**NOTE**

Solid surface color is always Corian® Glacier White.  
 Corian® is a DuPont brand.

Ganging is not available on Zoetry product.

Zoety is offered in non-contrasting upholstery only, as standard.

**FINISH INFORMATION**

Polished Aluminum Upcharge:  
 Note: the Medallion Finish does not require an upcharge.

Lounge Chair with Privacy Screen Mount

ZYPNC \$160  
 ZYPNB \$160

Lounge Loveseat with Privacy Screen Mount

ZYPNCC \$200  
 ZYPNBB \$200

Lounge Sofa with Privacy Screen Mount

ZYPNCCC \$320  
 ZYPNCWC \$320

Tandem Lounge Sofa with Table with Privacy Screen Mount

ZYPACRC \$320  
 ZYPACTC \$320  
 ZYPACSC \$320

Tandem Lounge Opposing Orientation Sofa with Privacy Screen Mount

ZYPACTCL \$320  
 ZYPACTCR \$320  
 ZYPACSCCL \$320  
 ZYPACSCCR \$320

**SPECIAL SERVICES**

**Special Carton Marking**

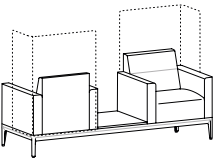
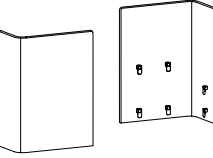
With specially marked information N/C

**Shipping**

Ships **assembled, FOB High Point, NC 27263, freight prepaid.** Freight class 250.

Specifications and prices are subject to change without prior notice.



MODEL	MODEL NUMBER									Approx. Packaged Weight	Delivered Pricing	
	Basic Model	Armcap Type	Power & Location	Glide Option	Base Finish	Armcap Finish	Pwr Color	Uph. Color	Thread Color			
 <p><b>Lounge Opposing Orientation Sofa, Standard/Solid Surface Table/Standard, Right-facing, with Privacy Screen Mount</b></p> <ul style="list-style-type: none"> <li>Includes privacy screen mounts installed. PRIVACY SCREENS MUST BE SPECIFIED SEPARATELY.</li> <li>Fully upholstered, featuring 6" molded foam seat cushions</li> <li>8.5" Die-cast aluminum leg</li> <li>Extruded aluminum base</li> <li>Stitching detail on back rest</li> <li>Debris clean-out spaces</li> <li>Field replaceable components</li> <li>Power located in table surface, when power specified</li> <li>Separating arms</li> <li>Corian® Solid Surface in-line table supports personal items</li> <li>Opposing orientation maximizes space utilization while creating separate lines of sight</li> <li>Non-contrast COM = 8.25 yds</li> </ul> <p>Overall dimensions of lounge with screen attached: • W=86" D=33" H=50"</p>	ZYPACSCR	<input type="checkbox"/>	<input type="checkbox"/>	<input type="checkbox"/>	<input type="checkbox"/>	<input type="checkbox"/>	<input type="checkbox"/>	<input type="checkbox"/>	<input type="checkbox"/>	286.00#	\$ 4791	
 <p><b>Privacy Screen for Lounge Opposing Orientation Sofa, Standard/Solid Surface Table/Standard, Right-facing</b></p> <ul style="list-style-type: none"> <li>Fully upholstered privacy screens</li> <li>Includes privacy screens and mounting hardware.</li> <li>Correlating lounge products must be specified separately</li> <li>Must be field installed on lounge item</li> <li>Provides visual and acoustic privacy benefits</li> <li>Non-contrast COM = 5 yds</li> </ul> <p>Dimensions of each individual screen: • W=29.5" D=16.6" H=41.25"</p>	ZYSACSCR							<input type="checkbox"/>	<input type="checkbox"/>	60.00#	\$ 1694	

**A B C D E F G H I**

**HOW TO ORDER**

- Indicate the following information on order form:
- Quantity of each item.
  - Model number, including options. See "How To Build a Model Number".
  - Any special service required.

Note: • The  indicates that a choice is required.  
• The absence of the  indicates that no choice is required.  
• Alpha-numeric characters in place of  indicate that no other alternatives are available.

**HOW TO BUILD A MODEL NUMBER**

- A** Select basic model.
- B** Select armcap type.
 

<b>PACBL</b>	- Black poly armcap; add \$445
<b>NAC</b>	- No armcap
<b>WAC</b>	- Wood armcaps; add \$589
- C** Select power & location.
 

<b>M1</b>	- One power module; add \$248
<b>NP</b>	- No power
- D** Select glide.
 

<b>GFT</b>	- Felt glides
<b>GPL</b>	- Plastic glides

Glides adjust 7/8"
- E** Select base/leg finish. Refer to the **Product Color Options** page in this price list. Polished aluminum base/leg requires an upcharge. See FINISH INFORMATION.

- F** Select armcap finish. Refer to the **Product Color Options** page in this price list.
- G** Select power module color.
 

<b>WPBL</b>	- Black/Black power module
<b>WPSL</b>	- Silver/White power module
<b>WPWH</b>	- White/white power module
- H** Select upholstery grade/color. Refer to **ki.com/fabrics**.  
• For yardage pricing, see Fabric Yardage Pricing page
- I** Select thread color. Refer to the **Product Color Options** page in this price list.

**NOTE**  
Solid surface color is always Corian® Glacier White.  
Corian® is a DuPont brand.

Ganging is not available on Zoetry product.

Zoety is offered in non-contrasting upholstery only, as standard.

**FINISH INFORMATION**

- Polished Aluminum Upcharge:  
Note: the Medallion Finish does not require an upcharge.
- |   |       |
|---|-------|
| Lounge Chair with Privacy Screen Mount                  |       |
| ZYPNC   | \$160 |
| ZYPNB   | \$160 |
| Lounge Loveseat with Privacy Screen Mount               |       |
| ZYPNCC  | \$200 |
| ZYPNBB  | \$200 |
| Lounge Sofa with Privacy Screen Mount                   |       |
| ZYPNCCC   | \$320 |
| ZYPNCWC   | \$320 |
| Tandem Lounge Sofa with Table with Privacy Screen Mount |       |
| ZYPACRC   | \$320 |
| ZYPACTC   | \$320 |
| ZYPACSC   | \$320 |

Tandem Lounge Opposing Orientation Sofa with Privacy Screen Mount

ZYPACTCL	\$320
ZYPACTCR	\$320
ZYPACSCCL	\$320
ZYPACSCR	\$320

**SPECIAL SERVICES**

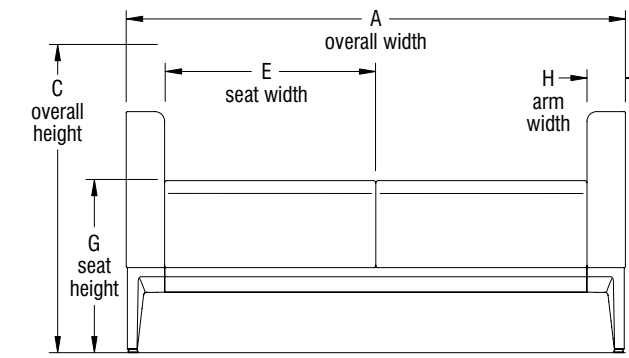
**Special Carton Marking**

With specially marked information N/C

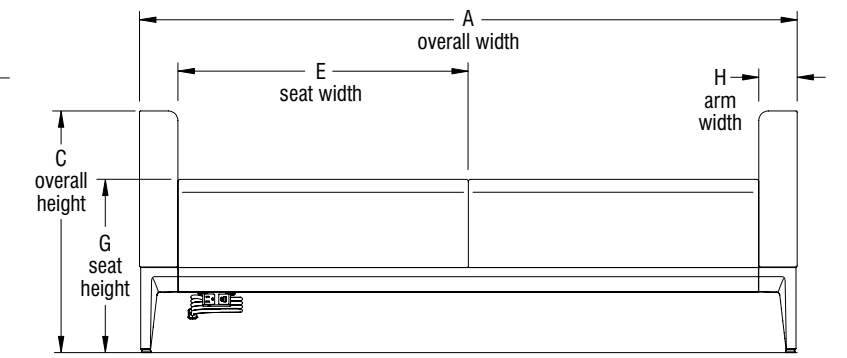
**Shipping**  
Ships assembled, FOB High Point, NC 27263, freight prepaid. Freight class 250.

Specifications and prices are subject to change without prior notice.

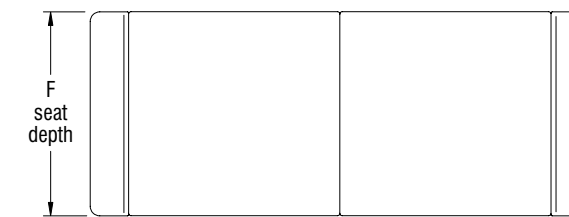
Zoetry Benches Overall Dimensions								
Model/Feature	A Overall Width	B Overall Depth	C Overall Height	D Arm Height	E Seat Width	F Seat Depth	G Seat Height	H Arm Width
ZYBNCC	52"	21 <sup>1</sup> / <sub>4</sub> "	25"	25"	22"	21 <sup>1</sup> / <sub>4</sub> "	18"	4"
ZYBNBB	68"	21 <sup>1</sup> / <sub>4</sub> "	25"	25"	30 <sup>3</sup> / <sub>4</sub> "	21 <sup>1</sup> / <sub>4</sub> "	18"	4"
ZYBNCCC	74"	21 <sup>1</sup> / <sub>4</sub> "	25"	25"	22"	21 <sup>1</sup> / <sub>4</sub> "	18"	4"
ZYBXCC	52"	21 <sup>1</sup> / <sub>4</sub> "	18"	N/A	22"	21 <sup>1</sup> / <sub>4</sub> "	18"	N/A
ZYBXBB	68"	21 <sup>1</sup> / <sub>4</sub> "	18"	N/A	30 <sup>3</sup> / <sub>4</sub> "	21 <sup>1</sup> / <sub>4</sub> "	18"	N/A
ZYBXCCC	74"	21 <sup>1</sup> / <sub>4</sub> "	18"	N/A	22"	21 <sup>1</sup> / <sub>4</sub> "	18"	N/A



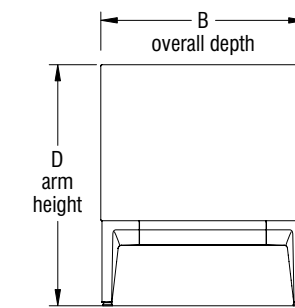
Standard Bench with Arms  
(front view)



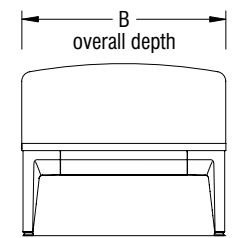
Bariatric Bench with Arms  
(front view)



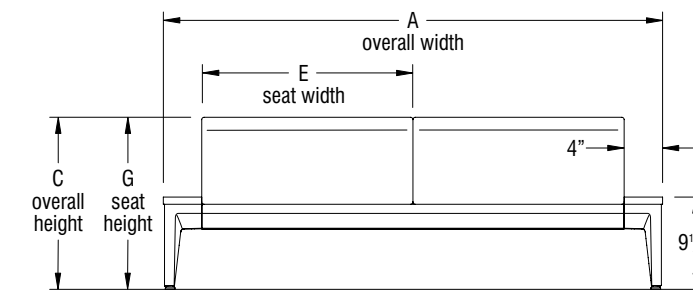
Standard Bench with Arms  
(top view)



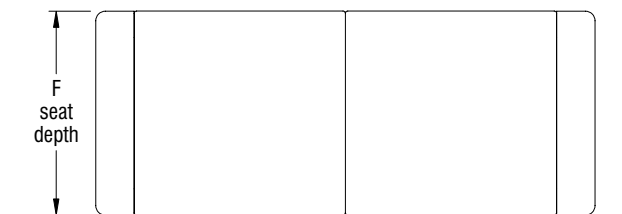
Bench with Arms  
(side view)



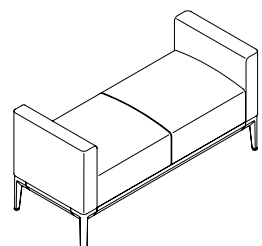
Bench without Arms  
(side view)



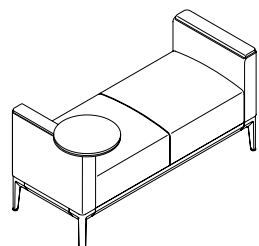
Standard Bench without Arms  
(top view)



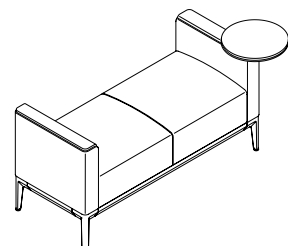
Standard Bench without Arms  
(top view)



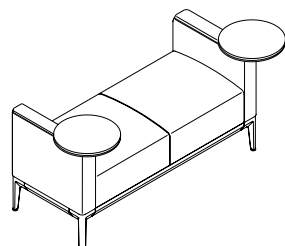
Bench with Arms  
 Two Standard Seats  
 ZYBNCC



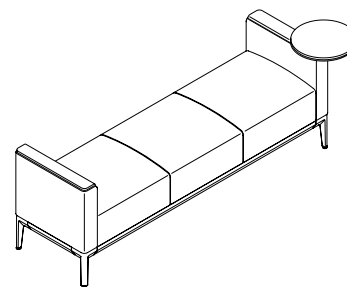
Bench with Arms  
 Two Standard Seats  
 with Removable Swivel Tablet  
 (left-side facing)  
 ZYBNCCTLRA



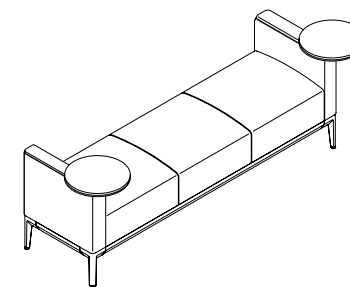
Bench with Arms  
 Two Standard Seats  
 with Removable Swivel Tablet  
 (right-side facing)  
 ZYBNCCTTRA



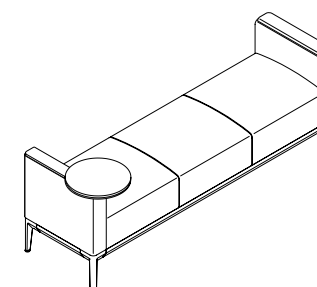
Bench with Arms  
 Two Standard Seats  
 with Two Removable Swivel Tablets  
 ZYBNCCTBRA



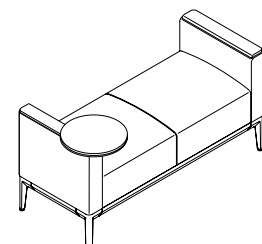
Bench with Arms  
 Three Standard Seats  
 with Removable Swivel Tablet  
 (right-side facing)  
 ZYBNCCCTRA



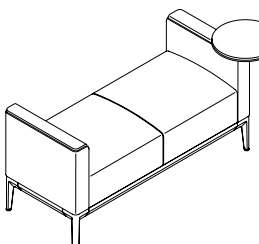
Bench with Arms  
 Three Standard Seats  
 with Two Removable Swivel Tablets  
 ZYBNCCCTBRA



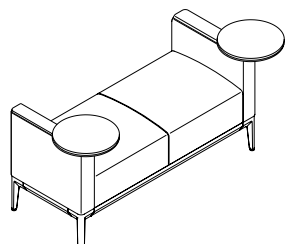
Bench with Arms  
 Three Standard Seats  
 with Non-Removable Swivel Tablet  
 (left-side facing)  
 ZYBNCCCTI NR



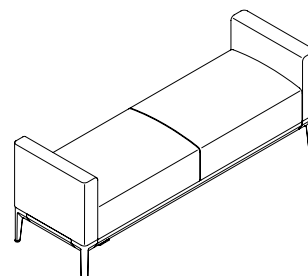
Bench with Arms  
 Two Standard Seats  
 with Non-Removable Swivel Tablet  
 (left-side facing)  
 ZYBNCCTLNR



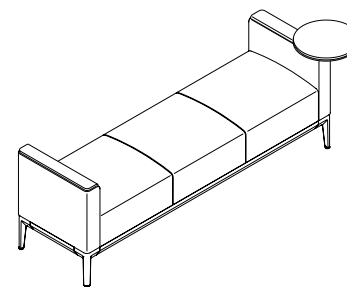
Bench with Arms  
 Two Standard Seats  
 with Non-Removable Swivel Tablet  
 (right-side facing)  
 ZYBNCCTRNR



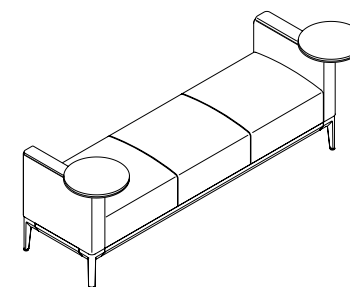
Bench with Arms  
 Two Standard Seats  
 with Two Non-Removable  
 Swivel Tablets  
 ZYBNCCTBNR



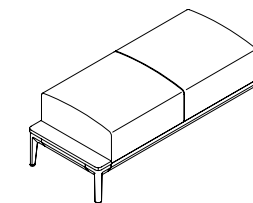
Bench with Arms  
 Two Bariatric Seats  
 ZYBNBB



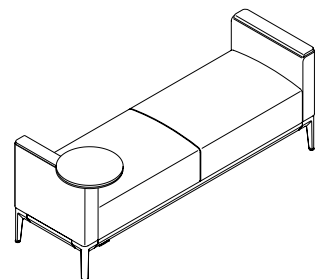
Bench with Arms  
 Three Standard Seats  
 with Non-Removable Swivel Tablet  
 (right-side facing)  
 ZYBNCCCTRNR



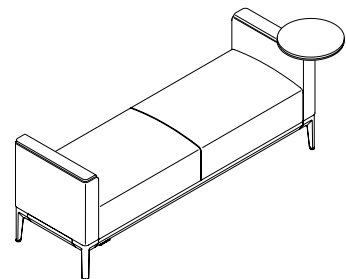
Bench with Arms  
 Three Standard Seats  
 with Two Non-Removable Swivel Tablets  
 ZYBNCCCTBNR



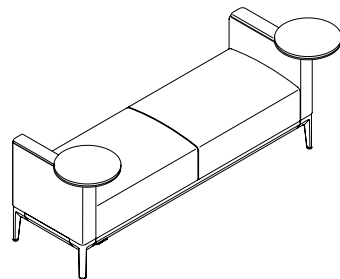
Bench  
 Two Standard Seats  
 ZYBXCC



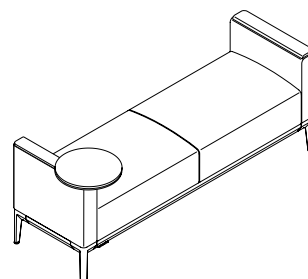
Bench with Arms  
 Two Bariatric Seats  
 with Removable Swivel Tablet  
 (left-side facing)  
 ZYBNBBTLRA



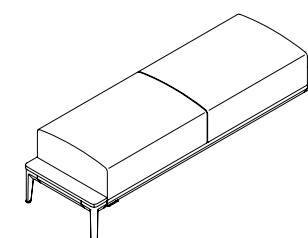
Bench with Arms  
 Two Bariatric Seats  
 with Removable Swivel Tablet  
 (right-side facing)  
 ZYBNBBTRRA



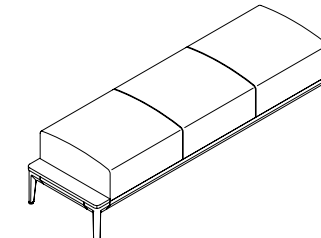
Bench with Arms  
 Two Bariatric Seats  
 with Two Removable Swivel Tablets  
 ZYBNBBTBRA



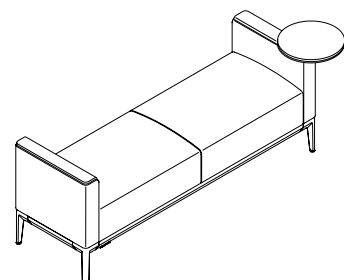
Bench with Arms  
 Two Bariatric Seats  
 with Non-Removable Swivel Tablet  
 (left-side facing)  
 ZYBNBBTLNR



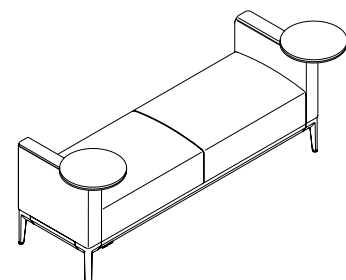
Bench  
 Two Bariatric Seats  
 ZYBXBB



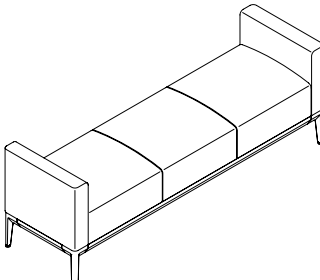
Bench  
 Three Standard Seats  
 ZYBXCC



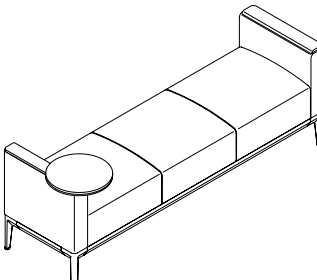
Bench with Arms  
 Two Bariatric Seats  
 with Non-Removable Swivel Tablet  
 (right-side facing)  
 ZYBNBBTRNR



Bench with Arms  
 Two Bariatric Seats  
 with Two Non-Removable  
 Swivel Tablets  
 ZYBNBBTBNR

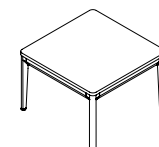


Bench with Arms  
 Three Standard Seats  
 ZYBNCCC

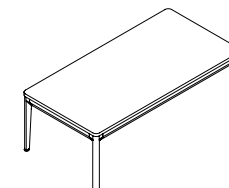


Bench with Arms  
 Three Standard Seats  
 with Removable Swivel Tablet  
 (left-side facing)  
 ZYBNCCCTLRA

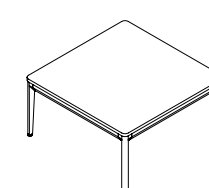
Zoetry Freestanding Occasional Tables



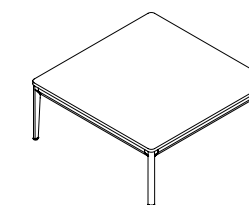
End Table 22" x 22"  
 ZYT2222S  
 ZYT2222T



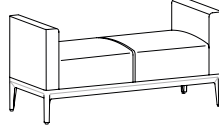
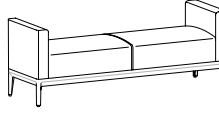
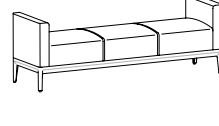
Cocktail Table 22" x 44"  
 ZYT2244S  
 ZYT2244T



Cocktail Table 30" x 30"  
 ZYT3030S  
 ZYT3030T



Cocktail Table 36" x 36"  
 ZYT3636S  
 ZYT3636T

MODEL	MODEL NUMBER									Approx. Packaged Weight	Delivered Pricing
	Basic Model	Armcap Type	Power & Location	Glide Option	Base Finish	Armcap Finish	Power Color	Upholstery Color	Thread Color		
 <p><b>Bench with Arm, 2 Standard Seats</b></p> <ul style="list-style-type: none"> <li>Fully upholstered, featuring 6" seat cushions</li> <li>8.5" die-cast aluminum leg</li> <li>Extruded aluminum base</li> <li>Field replaceable components</li> <li>Non-contrast COM = 3 yds</li> </ul> <p>Overall Dimensions:            • W=52" D=22" H=26"</p>	ZYBNCC	<input type="checkbox"/>	<input type="checkbox"/>	<input type="checkbox"/>	<input type="checkbox"/>	<input type="checkbox"/>	<input type="checkbox"/>	<input type="checkbox"/>	<input type="checkbox"/>	75.00#	\$ 2643
ZYBN											
 <p><b>Bench with Arm, 2 Bariatric Seats</b></p> <ul style="list-style-type: none"> <li>Fully upholstered, featuring 6" seat cushions</li> <li>8.5" die-cast aluminum leg</li> <li>Extruded aluminum base</li> <li>Field replaceable components</li> <li>Non-contrast COM = 4.25 yds</li> </ul> <p>Overall Dimensions:            • W=68" D=22" H=26"</p>	ZYBNBB	<input type="checkbox"/>	<input type="checkbox"/>	<input type="checkbox"/>	<input type="checkbox"/>	<input type="checkbox"/>	<input type="checkbox"/>	<input type="checkbox"/>	<input type="checkbox"/>	90.00#	\$ 2908
ZYBN											
 <p><b>Bench with Arm, 3 Standard Seats</b></p> <ul style="list-style-type: none"> <li>Fully upholstered, featuring 6" seat cushions</li> <li>8.5" die-cast aluminum leg</li> <li>Extruded aluminum base</li> <li>Field replaceable components</li> <li>Non-contrast COM = 4 yds</li> </ul> <p>Overall Dimensions:            • W=74" D=22" H=26"</p>	ZYBNCCC	<input type="checkbox"/>	<input type="checkbox"/>	<input type="checkbox"/>	<input type="checkbox"/>	<input type="checkbox"/>	<input type="checkbox"/>	<input type="checkbox"/>	<input type="checkbox"/>	90.00#	\$ 3561
ZYBN											
	<b>A</b>	<b>B</b>	<b>C</b>	<b>D</b>	<b>E</b>	<b>F</b>	<b>G</b>	<b>H</b>	<b>I</b>		

**HOW TO ORDER**

- Indicate the following information on order form:
- Quantity of each item.
  - Model number, including options. See "How to Build a Model Number".
  - Any special service required.

Note: • The  indicates that a choice is required.  
 • The absence of the  indicates that no choice is required.  
 • Alpha-numeric characters in place of  indicate that no other alternatives are available.

**HOW TO BUILD A MODEL NUMBER**

- A** Select basic model.
- B** Select armcap type.
- NAC** - No armcap  
**PACBL** - Black poly armcap; add \$223  
**WAC** - Wood armcaps; add \$295
- C** Select power & location.
- M1L** - One power module, left-facing; add \$267  
**M1R** - One power module, right-facing; add \$267  
**M2** - Two power modules; add \$645  
**M1C** - One power module, centered; add \$267  
**NP** - No power  
 M1C not available on 3 seat bench.
- D** Select glide.
- GFT** - Felt glides  
**GPL** - Plastic glides  
 Glides adjust 7/8"

- E** Select base/leg finish.  
 Refer to the **Product Color Options** page in this price list.  
 Polished aluminum base/leg requires an upcharge. See FINISH INFORMATION.

- F** Select armcap finish.  
 Refer to the **Product Color Options** page in this price list.

- G** Select power module color.
- WPBL** - Black/Black power module  
**WPWH** - White/white power module

- H** Select upholstery grade/color.  
 Refer to [ki.com/fabrics](http://ki.com/fabrics).  
 • For yardage pricing, see Fabric Yardage Pricing page

- I** Select thread color.  
 Refer to the **Product Color Options** page in this price list.

**NOTE**

Ganging is not available on Zoetry product.

**FINISH INFORMATION**

Polished Aluminum Upcharge:

Benches:	
ZYBNCC	\$200
ZYBNBB	\$200
ZYBNCCC	\$320
ZYBXCC	\$200
ZYBXBB	\$200
ZYBXCC	\$320

**SPECIAL SERVICES**
**Special Carton Marking**

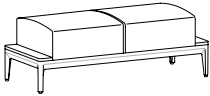
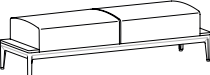
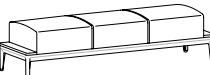
With specially marked information N/C

**Shipping**

Ships **assembled, FOB High Point, NC 27263, freight prepaid.** Freight class 250.

Specifications and prices are subject to change without prior notice.



MODEL	MODEL NUMBER									Approx. Packaged Weight	Delivered Pricing	Laminate Grade 2 add to list price	Laminate Grade 3 add to list price
	Basic Model	Power & Location	Glide Option	Base Finish	Power Color	Upholstery Color	Thread Color	Table Finish	Edge Color (73P)				
 <p><b>Bench, 2 Standard Seats</b></p> <ul style="list-style-type: none"> <li>Upholstered seating, featuring 6" seat cushions</li> <li>8.5" die-cast leg</li> <li>Extruded aluminum base</li> <li>4" laminate on ends, perfect for resting personal items</li> <li>Field replaceable components</li> <li>Non-contrast COM = 2 yds</li> </ul> <p>Overall Dimensions: • W=52" D=22" H=18"</p>	ZYBXCC	<input type="checkbox"/> <input type="checkbox"/> <input type="checkbox"/>	<input type="checkbox"/>	<input type="checkbox"/>	<input type="checkbox"/>	<input type="checkbox"/> <input type="checkbox"/> <input type="checkbox"/>	<input type="checkbox"/> <input type="checkbox"/> <input type="checkbox"/>	<input type="checkbox"/>	<input type="checkbox"/>	70.00#	\$ 2355	\$ 19	\$ 120
ZYBX													
 <p><b>Bench, 2 Bariatric Seats</b></p> <ul style="list-style-type: none"> <li>Upholstered seating, featuring 6" seat cushions</li> <li>8.5" die-cast leg</li> <li>Extruded aluminum base</li> <li>4" laminate on ends, perfect for resting personal items</li> <li>Field replaceable components</li> <li>Non-contrast COM = 3 yds</li> </ul> <p>Overall Dimensions: • W=68" D=22" H=18"</p>	ZYBXBB	<input type="checkbox"/> <input type="checkbox"/> <input type="checkbox"/>	<input type="checkbox"/>	<input type="checkbox"/>	<input type="checkbox"/>	<input type="checkbox"/> <input type="checkbox"/> <input type="checkbox"/>	<input type="checkbox"/> <input type="checkbox"/> <input type="checkbox"/>	<input type="checkbox"/>	<input type="checkbox"/>	85.00#	\$ 2620	\$ 19	\$ 120
ZYBX													
 <p><b>Bench, 3 Standard Seats</b></p> <ul style="list-style-type: none"> <li>Upholstered seating, featuring 6" seat cushions</li> <li>8.5" die-cast leg</li> <li>Extruded aluminum base</li> <li>4" laminate on ends, perfect for resting personal items</li> <li>Field replaceable components</li> <li>Non-contrast COM = 3 yds</li> </ul> <p>Overall Dimensions: • W=74" D=22" H=18"</p>	ZYBXCC	<input type="checkbox"/> <input type="checkbox"/> <input type="checkbox"/>	<input type="checkbox"/>	<input type="checkbox"/>	<input type="checkbox"/>	<input type="checkbox"/> <input type="checkbox"/> <input type="checkbox"/>	<input type="checkbox"/> <input type="checkbox"/> <input type="checkbox"/>	<input type="checkbox"/>	<input type="checkbox"/>	117.00#	\$ 3274	\$ 19	\$ 120
ZYBX													

**A B C D E F G H I**

**HOW TO ORDER**

- Indicate the following information on order form:
- Quantity of each item.
  - Model number, including options. See "How to Build a Model Number".
  - Any special service required.

Note: • The  indicates that a choice is required.  
• The absence of the  indicates that no choice is required.  
• Alpha-numeric characters in place of  indicate that no other alternatives are available.

**HOW TO BUILD A MODEL NUMBER**

- A** Select basic model.
- B** Select power & location.
  - M1C** - One power module, centered; add \$267
  - M1R** - One power module, right-facing; add \$267
  - M1L** - One power module, left-facing; add \$267
  - M2** - Two power modules; add \$645
  - NP** - No power

M1C not available on 3 seat bench.
- C** Select glide.
  - GFT** - Felt glides
  - GPL** - Plastic glides

Glides adjust 7/8"
- D** Select base/leg finish. Refer to the **Product Color Options** page in this price list. Polished aluminum base/leg requires an upcharge. See FINISH INFORMATION.
- E** Select power module color.
  - WPBL** - Black/Black power module
  - WPWH** - White/white power module
- F** Select upholstery grade/color. Refer to [ki.com/fabrics](http://ki.com/fabrics).
  - For yardage pricing, see Fabric Yardage Pricing page
- G** Select thread color. Refer to the **Product Color Options** page in this price list.
- H** Select laminate table finish. Refer to the **Product Color Options** page in this price list.
- I** Select 73P edge color. Refer to the **Product Color Options** page in this price list.

**NOTE**

Ganging is not available on Zoetry product.

**FINISH INFORMATION**

Polished Aluminum Upcharge:

- Benches:
- ZYBNCC \$200
  - ZYBNBB \$200
  - ZYBNCCC \$320
  - ZYBXCC \$200
  - ZYBXBB \$200
  - ZYBXCCC \$320

**FINISH INFORMATION**

ADDITIONAL LAMINATE OFFERING

KI offers laminates beyond those offered in the standard offering. Laminates that are currently available in the program can be viewed in KI product specification tools. Requests to add laminates to the program can be submitted via the product modification request process. Please note, requests to add laminates to the program must include the laminate manufacturers name, color/pattern number, and finish code. Edge options are limited to standard edge colors. If a matching edge is required, this will need to be requested thru the product modification request process and may be subject to additional costs. Due to varying manufacturing processes and quality issues with some laminates, some requests may be denied. Extended lead times and minimum order quantities may apply on orders containing special laminates. Contact the product modification team for questions or additional information regarding special laminates and pricing.

**SPECIAL SERVICES**

**Special Carton Marking**

With specially marked information N/C

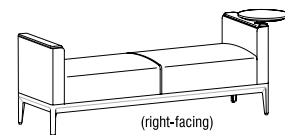
**Shipping**  
Ships assembled, FOB High Point, NC 27263, freight prepaid. Freight class 250.

Specifications and prices are subject to change without prior notice.





Features	MODEL NUMBER											Approx. Packaged Weight	Delivered Pricing	Laminate Grade 2 add to list price	Laminate Grade 3 add to list price
	Basic Model	Arm-cap Type	Power & Location	Glide Option	Base Finish	Arm-cap Finish	Power Color	Uph. Color	Thread Color	Tablet Finish	Edge Color (KN)				
Left-facing	ZYBNBTLRA	<input type="checkbox"/>	<input type="checkbox"/>	<input type="checkbox"/>	<input type="checkbox"/>	<input type="checkbox"/>	<input type="checkbox"/>	<input type="checkbox"/>	<input type="checkbox"/>	<input type="checkbox"/>	<input type="checkbox"/>	95.00#	\$ 3444	\$ 19	\$ 120
Right-facing	ZYBNBBTRRA	<input type="checkbox"/>	<input type="checkbox"/>	<input type="checkbox"/>	<input type="checkbox"/>	<input type="checkbox"/>	<input type="checkbox"/>	<input type="checkbox"/>	<input type="checkbox"/>	<input type="checkbox"/>	<input type="checkbox"/>	95.00#	3444	19	120
Both arms	ZYBNBBTBRA	<input type="checkbox"/>	<input type="checkbox"/>	<input type="checkbox"/>	<input type="checkbox"/>	<input type="checkbox"/>	<input type="checkbox"/>	<input type="checkbox"/>	<input type="checkbox"/>	<input type="checkbox"/>	<input type="checkbox"/>	100.00#	3962	19	120



ZYBN

**Bench with Arm, 2 Bariatric Seats with Removable Swivel Tablet**

- 14" round, laminate tablet with knife edge affixed to either left-facing arm (right-handed), right-facing arm (left-handed) or both arms
  - Tablet arm swivels and can be removed (tablet hole cover available - see Zoetry Accessories section)
  - Fully upholstered, featuring 6" seat cushions
  - 8.5" die-cast aluminum leg with an extruded aluminum base
  - Field replaceable components
  - Non-contrast COM = 4.25 yds
- Overall Dimensions when tablet affixed to either arm:
- W=76.5" D=29" H=29.5"
- Overall Dimensions when tablet affixed to both arms:
- W=85" D=29" H=29.5"

**A** **B** **C** **D** **E** **F** **G** **H** **I** **J** **K**

**HOW TO ORDER**

- Indicate the following information on order form:
1. Quantity of each item.
  2. Model number, including options. See "How To Build a Model Number".
  3. Any special service required.

Note: • The  indicates that a choice is required.  
 • The absence of the  indicates that no choice is required.  
 • Alpha-numeric characters in place of  indicate that no other alternatives are available.

**HOW TO BUILD A MODEL NUMBER**

- A** Select basic model.
  - NAC** - No armcap
  - WAC** - Wood armcaps; add \$320 add \$300 for one tablet; \$312 for both tablets.
- C** Select power & location.
  - M1C** - One power module, centered; add \$267
  - M1R** - One power module, right-facing; add \$267
  - M1L** - One power module, left-facing; add \$267
  - M2** - Two power modules; add \$645
  - NP** - No power
- D** Select glide.
  - GFT** - Felt glides
  - GPL** - Plastic glides
 Glides adjust 7/8"

- E** Select base/leg finish. Refer to the **Product Color Options** page in this price list. Polished aluminum base/leg requires an upcharge. See FINISH INFORMATION.
- F** Select armcap finish. Refer to the **Product Color Options** page in this price list.
- G** Select power module color.
  - WPBL** - Black/Black power module
  - WPWH** - White/white power module
- H** Select upholstery grade/color. Refer to [ki.com/fabrics](http://ki.com/fabrics).
  - For yardage pricing, see Fabric Yardage Pricing page
- I** Select thread color. Refer to the **Product Color Options** page in this price list.

- J** Select tablet finish. Refer to the **Product Color Options** page in this price list.
- K** Select KN edge color. Refer to the **Product Color Options** page in this price list.

**NOTE**

Ganging is not available on Zoetry product.

Zoety is offered in non-contrasting upholstery only, as standard.

**FINISH INFORMATION**

Polished Aluminum Upcharge:

Benches:	
ZYBNCC	\$200
ZYBNBB	\$200
ZYBNCCC	\$320
ZYBXCC	\$200
ZYBXBB	\$200
ZYBXCCC	\$320
ZYBNCCTLRA	\$200
ZYBNCCTRRA	\$200
ZYBNCCTBRA	\$200
ZYBNBTLRA	\$320
ZYBNBBTRRA	\$320
ZYBNBBTBRA	\$320
ZYBNCCCTLRA	\$320
ZYBNCCCTRRA	\$320
ZYBNCCCTBRA	\$320

ZYBNCCTLNR	\$200
ZYBNCCTRNR	\$200
ZYBNCCBTRNR	\$200
ZYBNBTLNR	\$320
ZYBNBBTRNR	\$320
ZYBNBBTNR	\$320
ZYBNCCCTLNR	\$320
ZYBNCCCTRNR	\$320
ZYBNCCCTBNR	\$320

**FINISH INFORMATION**

ADDITIONAL LAMINATE OFFERING

KI offers laminates beyond those offered in the standard offering. Laminates that are currently available in the program can be viewed in KI product specification tools. Requests to add laminates to the program can be submitted via the product modification request process. Please note, requests to add laminates to the program must include the laminate manufacturers name, color/pattern number, and finish code. Edge options are limited to standard edge colors. If a matching edge is required, this will need to be requested thru the product modification request process and may be subject to additional costs. Due to varying manufacturing processes and quality issues with some laminates, some requests may be denied. Extended lead times and minimum order quantities may apply on orders containing special laminates. Contact the product modification team for questions or additional information regarding special laminates and pricing.

**SPECIAL SERVICES**

**Special Carton Marking**

With specially marked information N/C

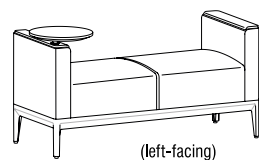
**Shipping**  
 Ships **assembled, FOB High Point, NC 27263, freight prepaid.** Freight class 250.

Specifications and prices are subject to change without prior notice.





Features	MODEL NUMBER											Approx. Packaged Weight	Delivered Pricing	Laminate Grade 2 add to list price	Laminate Grade 3 add to list price
	Basic Model	Armcap Type	Power & Location	Glide Option	Base Finish	Armcap Finish	Power Color	Upholstery Color	Thread Color	Tablet Finish	Edge Color (KN)				
Left-facing	ZYBNCCTLNR	<input type="checkbox"/>	<input type="checkbox"/>	<input type="checkbox"/>	<input type="checkbox"/>	<input type="checkbox"/>	<input type="checkbox"/>	<input type="checkbox"/>	<input type="checkbox"/>	<input type="checkbox"/>	<input type="checkbox"/>	80.00#	\$ 3219	\$ 19	\$ 120
Right-facing	ZYBNCCTRNR	<input type="checkbox"/>	<input type="checkbox"/>	<input type="checkbox"/>	<input type="checkbox"/>	<input type="checkbox"/>	<input type="checkbox"/>	<input type="checkbox"/>	<input type="checkbox"/>	<input type="checkbox"/>	<input type="checkbox"/>	80.00#	3219	19	120
Both arms	ZYBNCCTBNR	<input type="checkbox"/>	<input type="checkbox"/>	<input type="checkbox"/>	<input type="checkbox"/>	<input type="checkbox"/>	<input type="checkbox"/>	<input type="checkbox"/>	<input type="checkbox"/>	<input type="checkbox"/>	<input type="checkbox"/>	85.00#	3752	19	120



ZYBN

**Bench with Arm, 2 Standard Seats with Non-Removable Tablet**

- 14" round, laminate tablet with knife edge affixed to either left-facing arm (right-handed), right-facing arm (left-handed) or both arms
- Tablet arm swivels and cannot be removed
- Fully upholstered, featuring 6" seat cushions
- 8.5" die-cast aluminum leg with an extruded aluminum base
- Field replaceable components
- Non-contrast COM = 3 yds

Overall Dimensions when tablet affixed to either arm:  
 • W=60.5" D=29" H=29.5"  
 Overall Dimensions when tablet affixed to both arms:  
 • W=69" D=29" H=29.5"

**A** **B** **C** **D** **E** **F** **G** **H** **I** **J** **K**

**HOW TO ORDER**

- Indicate the following information on order form:
1. Quantity of each item.
  2. Model number, including options. See "How To Build a Model Number".
  3. Any special service required.

Note: • The  indicates that a choice is required.  
 • The absence of the  indicates that no choice is required.  
 • Alpha-numeric characters in place of  indicate that no other alternatives are available.

**HOW TO BUILD A MODEL NUMBER**

- A** Select basic model.
- B** Select armcap type.
  - NAC** - No armcap
  - WAC** - Wood armcaps; add \$310 add \$300 for one tablet; \$312 for both tablets.
- C** Select power & location.
  - M1R** - One power module, right-facing; add \$267
  - M1L** - One power module, left-facing; add \$267
  - M2** - Two power modules; add \$645
  - NP** - No power

M1C not available on 3 seat bench.
- D** Select glide.
  - GFT** - Felt glides
  - GPL** - Plastic glides

Glides adjust 7/8"
- E** Select base/leg finish. Refer to the **Product Color Options** page in this price list.

- price list. Polished aluminum base/leg requires an upcharge. See FINISH INFORMATION.
- F** Select armcap finish. Refer to the **Product Color Options** page in this price list.
- G** Select power module color.
  - WPBL** - Black/Black power module
  - WPWH** - White/white power module
- H** Select upholstery grade/color. Refer to **ki.com/fabrics**.
  - For yardage pricing, see Fabric Yardage Pricing page
- I** Select thread color. Refer to the **Product Color Options** page in this price list.
- J** Select tablet finish. Refer to the **Product Color Options** page in this price list.
- K** Select KN edge color. Refer to the **Product Color Options** page in this price list.

**NOTE**

Ganging is not available on Zoetry product.

Zoety is offered in non-contrasting upholstery only, as standard.

**FINISH INFORMATION**

Polished Aluminum Upcharge:

Benches:	
ZYBNCC	\$200
ZYBNBB	\$200
ZYBNCCC	\$320
ZYBXCC	\$200
ZYBXBB	\$200
ZYBXCCC	\$320
ZYBNCCTLRA	\$200
ZYBNCCTTRA	\$200
ZYBNCCTBRA	\$200
ZYBNBTLRA	\$320
ZYBNBTRRA	\$320
ZYBNBBTLRA	\$320
ZYBNCCTLRA	\$320
ZYBNCCTRRA	\$320
ZYBNCCTBRA	\$320

ZYBNCCTLNR	\$200
ZYBNCCTRNR	\$200
ZYBNCCTBNR	\$200
ZYBNBTLNR	\$320
ZYBNBTRNR	\$320
ZYBNBBTLNR	\$320
ZYBNCCCTLNR	\$320
ZYBNCCCTRNR	\$320
ZYBNCCCTBNR	\$320

**FINISH INFORMATION**

ADDITIONAL LAMINATE OFFERING

KI offers laminates beyond those offered in the standard offering. Laminates that are currently available in the program can be viewed in KI product specification tools. Requests to add laminates to the program can be submitted via the product modification request process. Please note, requests to add laminates to the program must include the laminate manufacturers name, color/pattern number, and finish code. Edge options are limited to standard edge colors. If a matching edge is required, this will need to be requested thru the product modification request process and may be subject to additional costs. Due to varying manufacturing processes and quality issues with some laminates, some requests may be denied. Extended lead times and minimum order quantities may apply on orders containing special laminates. Contact the product modification team for questions or additional information regarding special laminates and pricing.

**SPECIAL SERVICES**

**Special Carton Marking**

With specially marked information N/C

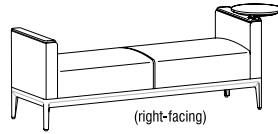
**Shipping**

Ships **assembled, FOB High Point, NC 27263, freight prepaid.** Freight class 250.

Specifications and prices are subject to change without prior notice.



Features	MODEL NUMBER											Approx. Packaged Weight	Delivered Pricing	Laminate Grade 2 add to list price	Laminate Grade 3 add to list price	
	Basic Model	Armcap Type	Power & Location	Glide Option	Base Finish	Armcap Finish	Power Color	Upholstery Color	Thread Color	Tablet Finish	Edge Color (KN)					
Left-facing	ZYBNBTLNR	<input type="checkbox"/> <input type="checkbox"/> <input type="checkbox"/>	<input type="checkbox"/> <input type="checkbox"/> <input type="checkbox"/>	<input type="checkbox"/>	<input type="checkbox"/>	<input type="checkbox"/> <input type="checkbox"/> <input type="checkbox"/>	<input type="checkbox"/>	<input type="checkbox"/> <input type="checkbox"/> <input type="checkbox"/>	<input type="checkbox"/> <input type="checkbox"/> <input type="checkbox"/>	<input type="checkbox"/>	<input type="checkbox"/>		95.00#	\$ 3485	\$ 19	\$ 120
Right-facing	ZYBNBTRNR	<input type="checkbox"/> <input type="checkbox"/> <input type="checkbox"/>	<input type="checkbox"/> <input type="checkbox"/> <input type="checkbox"/>	<input type="checkbox"/>	<input type="checkbox"/>	<input type="checkbox"/> <input type="checkbox"/> <input type="checkbox"/>	<input type="checkbox"/>	<input type="checkbox"/> <input type="checkbox"/> <input type="checkbox"/>	<input type="checkbox"/> <input type="checkbox"/> <input type="checkbox"/>	<input type="checkbox"/>	<input type="checkbox"/>		95.00#	3485	19	120
Both arms	ZYBNBTTNR	<input type="checkbox"/> <input type="checkbox"/> <input type="checkbox"/>	<input type="checkbox"/> <input type="checkbox"/> <input type="checkbox"/>	<input type="checkbox"/>	<input type="checkbox"/>	<input type="checkbox"/> <input type="checkbox"/> <input type="checkbox"/>	<input type="checkbox"/>	<input type="checkbox"/> <input type="checkbox"/> <input type="checkbox"/>	<input type="checkbox"/> <input type="checkbox"/> <input type="checkbox"/>	<input type="checkbox"/>	<input type="checkbox"/>		100.00#	4024	19	120



ZYBN

**Bench with Arm, 2 Bariatric Seats with Non-Removable Swivel Tablet**

- 14" round, laminate tablet with knife edge affixed to either left-facing arm (right-handed), right-facing arm (left-handed) or both arms
- Tablet arm swivels and cannot be removed
- Fully upholstered, featuring 6" seat cushions
- 8.5" die-cast aluminum leg with an extruded aluminum base
- Field replaceable components
- Non-contrast COM = 4.25 yds
- Overall Dimensions when tablet affixed to either arm:
  - W=76.5" D=29" H=29.5"
- Overall Dimensions when tablet affixed to both arms:
  - W=85" D=29" H=29.5"

**HOW TO ORDER**

- Indicate the following information on order form:
- Quantity of each item.
  - Model number, including options. See "How To Build a Model Number".
  - Any special service required.

Note: • The  indicates that a choice is required.  
 • The absence of the  indicates that no choice is required.  
 • Alpha-numeric characters in place of  indicate that no other alternatives are available.

**HOW TO BUILD A MODEL NUMBER**

- A** Select basic model.
  - NAC** - No armcap
  - WAC** - Wood armcaps; add \$320 add \$300 for one tablet; \$312 for both tablets.
- C** Select power & location.
  - M1C** - One power module, centered; add \$267
  - M1R** - One power module, right-facing; add \$267
  - M1L** - One power module, left-facing; add \$267
  - M2** - Two power modules; add \$645
  - NP** - No power

- D** Select glide.
  - GFT** - Felt glides
  - GPL** - Plastic glides
 Glides adjust 7/8"

- E** Select base/leg finish. Refer to the **Product Color Options** page in this price list. Polished aluminum base/leg requires an upcharge. See FINISH INFORMATION.

- F** Select armcap finish. Refer to the **Product Color Options** page in this price list.

- G** Select power module color.
  - WPBL** - Black/Black power module
  - WPWH** - White/white power module

- H** Select upholstery grade/color. Refer to [ki.com/fabrics](http://ki.com/fabrics).
  - For yardage pricing, see Fabric Yardage Pricing page

- I** Select thread color. Refer to the **Product Color Options** page in this price list.

- J** Select tablet finish. Refer to the **Product Color Options** page in this price list.

- K** Select KN edge color. Refer to the **Product Color Options** page in this price list.

**NOTE**

Ganging is not available on Zoetry product.

Zoety is offered in non-contrasting upholstery only, as standard.

**FINISH INFORMATION**

Polished Aluminum Upcharge:

Benches:	
ZYBNCC	\$200
ZYBNBB	\$200
ZYBNCCC	\$320
ZYBXCC	\$200
ZYBXBB	\$200
ZYBXCCC	\$320
ZYBNCCTLRA	\$200
ZYBNCCTRRA	\$200
ZYBNCCTBRA	\$200
ZYBNBTLRA	\$320
ZYBNBTRRA	\$320
ZYBNBBTBRA	\$320
ZYBNCCTLRA	\$320
ZYBNCCTRRA	\$320
ZYBNCCTBRA	\$320

ZYBNCCTLNR	\$200
ZYBNCCTRNR	\$200
ZYBNCCTBNR	\$200
ZYBNBTLNR	\$320
ZYBNBTRNR	\$320
ZYBNBBTNR	\$320
ZYBNCCTLNR	\$320
ZYBNCCTRNR	\$320
ZYBNCCTBNR	\$320

**FINISH INFORMATION**

ADDITIONAL LAMINATE OFFERING

KI offers laminates beyond those offered in the standard offering. Laminates that are currently available in the program can be viewed in KI product specification tools. Requests to add laminates to the program can be submitted via the product modification request process. Please note, requests to add laminates to the program must include the laminate manufacturers name, color/pattern number, and finish code. Edge options are limited to standard edge colors. If a matching edge is required, this will need to be requested thru the product modification request process and may be subject to additional costs. Due to varying manufacturing processes and quality issues with some laminates, some requests may be denied. Extended lead times and minimum order quantities may apply on orders containing special laminates. Contact the product modification team for questions or additional information regarding special laminates and pricing.

**SPECIAL SERVICES**

**Special Carton Marking**

With specially marked information N/C

**Shipping**  
 Ships **assembled, FOB High Point, NC 27263, freight prepaid.** Freight class 250.

Specifications and prices are subject to change without prior notice.





MODEL	MODEL NUMBER				Approx. Packaged Weight	Delivered Pricing	Laminate Grade 2 add to list price	Laminate Grade 3 add to list price
	Basic Model	Tablet Finish	Edge Color (KN)	Armcap Finish				
ZYR Tablet Arm Hole Cover, Black	ZYPT				1.00#	\$ 57	N/A	N/A
ZYR Replacement Removable Swivel Tablet Arm and Top	ZYRTRA		<input type="checkbox"/>		5.00#	\$ 559	\$ 19	\$ 120

**A** **B** **C** **D**

**HOW TO ORDER**

- Indicate the following information on order form:
- Quantity of each item.
  - Model number, including options. See "How To Build a Model Number".
  - Any special service required.

Note:

- The  indicates that a choice is required.
- The absence of the  indicates that no choice is required.
- Alpha-numeric characters in place of  indicate that no other alternatives are available.

**HOW TO BUILD A MODEL NUMBER**

- A** Select basic model.
- B** Select tablet finish. Refer to the **Product Color Options** page in this price list.
- C** Select KN edge color. Refer to the **Product Color Options** page in this price list.

**SPECIAL SERVICES**

**Special Carton Marking**

With specially marked information N/C

**Shipping**

Ships **assembled, FOB High Point, NC 27263, freight prepaid.** Freight class 250.

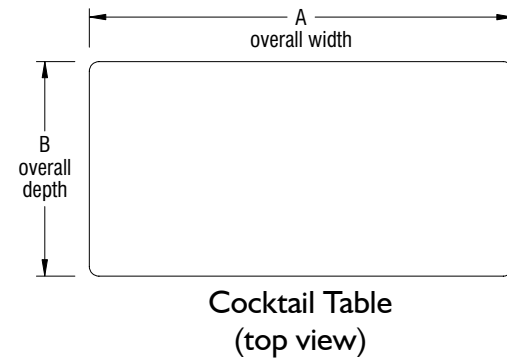
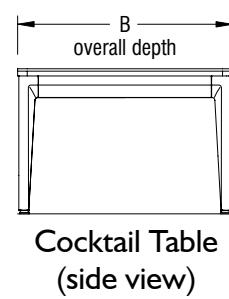
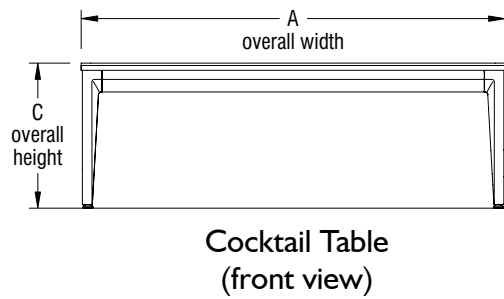
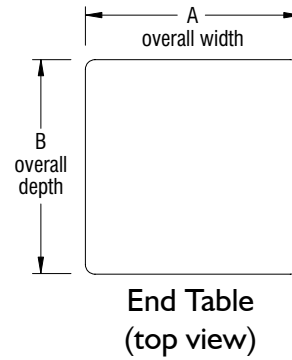
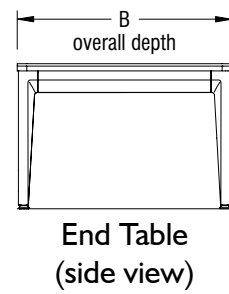
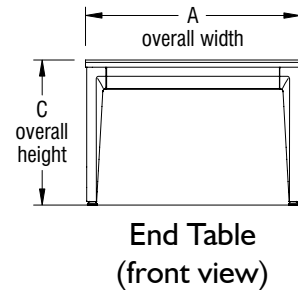
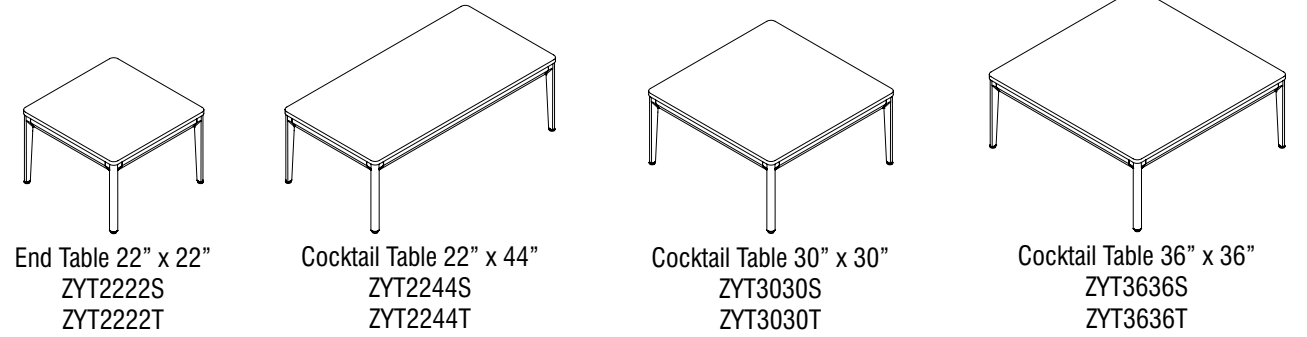
Specifications and prices are subject to change without prior notice.



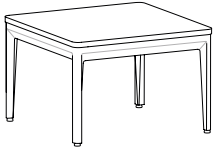
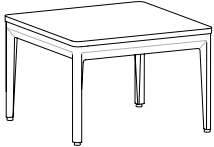
Zoetry Freestanding Occasional Tables

Zoetry Freestanding Occasional Tables Overall Dimensions			
Model/Feature	A Overall Width	B Overall Depth	C Overall Height
ZYT2222T	22 1/4"	22 1/4"	15"
ZYT2222S	22 1/4"	22 1/4"	15"
ZYT2244T	44"	22 1/4"	15"
ZYT2244S	44"	22 1/4"	15"
ZYT3030T	30"	30"	15"
ZYT3030S	30"	30"	15"
ZYT3636T	36 1/4"	36 1/4"	15"
ZYT3636S	36 1/4"	36 1/4"	15"

Zoetry Freestanding Occasional Tables





MODEL	MODEL NUMBER							Approx. Packaged Weight	Delivered Pricing	Laminate Grade 2 add to list price	Laminate Grade 3 add to list price
	Basic Model	Power & Location	Glide Option	Base Finish	Power Color	Table Finish	Edge Color (73P)				
 <p><b>Freestanding End Table, 22" x 22", Laminate</b></p> <ul style="list-style-type: none"> <li>Laminate table top</li> <li>14" die-cast aluminum leg</li> <li>Extruded aluminum base</li> <li>Power located in table surface, when power specified</li> </ul> <p>Overall Dimensions: • W=22" D=22" H=15"</p>	ZYT2222T	<input type="checkbox"/> <input type="checkbox"/> <input type="checkbox"/>	<input type="checkbox"/> <input type="checkbox"/>	<input type="checkbox"/> <input type="checkbox"/>	<input type="checkbox"/> <input type="checkbox"/>	<input type="checkbox"/> <input type="checkbox"/>	<input type="checkbox"/> <input type="checkbox"/>	46.0#	\$ 1202	\$ 19	\$ 120
 <p><b>Freestanding End Table, 22" x 22", Solid Surface</b></p> <ul style="list-style-type: none"> <li>Corian® Solid Surface table top</li> <li>14" die-cast aluminum leg</li> <li>Extruded aluminum base</li> <li>Power located in table surface, when power specified</li> </ul> <p>Overall Dimensions: • W=22" D=22" H=15"</p>	ZYT2222S	<input type="checkbox"/> <input type="checkbox"/> <input type="checkbox"/>	<input type="checkbox"/> <input type="checkbox"/>	<input type="checkbox"/> <input type="checkbox"/>	<input type="checkbox"/> <input type="checkbox"/>	<input type="checkbox"/> <input type="checkbox"/>	<input type="checkbox"/> <input type="checkbox"/>	46.0#	\$ 1648	N/A	N/A

ZYT2

ZYT2

**A B C D E F G**

**HOW TO ORDER**

- Indicate the following information on order form:
- Quantity of each item.
  - Model number, including options. See "How To Build a Model Number".
  - Any special service required.

Note:

- The  indicates that a choice is required.
- The absence of the  indicates that no choice is required.
- Alpha-numeric characters in place of  indicate that no other alternatives are available.

**HOW TO BUILD A MODEL NUMBER**

- A** Select basic model.
- B** Select power & location.
  - NP** - No power
  - MT** - One Power Module; add \$248
- C** Select glide.
  - GFT** - Felt glides
  - GPL** - Plastic glides
  - Glides adjust 7/8"
- D** Select base/leg finish. Refer to the **Product Color Options** page in this price list. Polished aluminum base/leg requires an upcharge. See **FINISH INFORMATION**.
- E** Select power module color.
  - WPBL** - Black/Black Power Module
  - WPSL** - Silver/White Power Module
  - WPWH** - White/White Power Module
- F** Select table finish. Refer to the **Product Color Options** page in this price list.
- G** Select 73P edge color. Refer to the **Product Color Options** page in this price list.

**NOTE**  
Solid surface color is always Corian® Glacier White.  
Corian® is a DuPont brand.

**FINISH INFORMATION**  
Polished Aluminum Upcharge:  
All Freestanding Occasional Tables \$116

**FINISH INFORMATION**  
ADDITIONAL LAMINATE OFFERING



KI offers laminates beyond those offered in the standard offering. Laminates that are currently available in the program can be viewed in KI product specification tools. Requests to add laminates to the program can be submitted via the product modification request process. Please note, requests to add laminates to the program must include the laminate manufacturers name, color/pattern number, and finish code. Edge options are limited to standard edge colors. If a matching edge is required, this will need to be requested thru the product modification request process and may be subject to additional costs. Due to varying manufacturing processes and quality issues with some laminates, some requests may be denied. Extended lead times and minimum order quantities may apply on orders containing special laminates. Contact the product modification team for questions or additional information regarding special laminates and pricing.

**SPECIAL SERVICES**  
**Special Carton Marking**  
With specially marked information N/C

**Shipping**  
Ships **assembled, FOB High Point, NC 27263, freight prepaid.** Freight class 250.

Specifications and prices are subject to change without prior notice.



MODEL	MODEL NUMBER							Approx. Packaged Weight	Delivered Pricing	Laminate Grade 2 add to list price	Laminate Grade 3 add to list price
	Basic Model	Power & Location	Glide Option	Base Finish	Power Color	Table Finish	Edge Color (73P)				
 <p><b>Freestanding Cocktail Table, 22" x 44", Laminate</b></p> <ul style="list-style-type: none"> <li>Laminate table top</li> <li>14" die-cast aluminum leg</li> <li>Extruded aluminum base</li> <li>Power located in table surface, when power specified</li> </ul> <p>Overall Dimensions: • W=44" D=22" H=15"</p>	ZYT2244T	<input type="checkbox"/> <input type="checkbox"/> <input type="checkbox"/>	<input type="checkbox"/> <input type="checkbox"/>	<input type="checkbox"/> <input type="checkbox"/>	<input type="checkbox"/> <input type="checkbox"/>	<input type="checkbox"/> <input type="checkbox"/>	<input type="checkbox"/> <input type="checkbox"/>	62.0#	\$ 1489	\$ 19	\$ 120
	ZYT2										
 <p><b>Freestanding Cocktail Table, 22" x 44", Solid Surface</b></p> <ul style="list-style-type: none"> <li>Corian® Solid Surface table top</li> <li>14" die-cast aluminum leg</li> <li>Extruded aluminum base</li> <li>Power located in table surface, when power specified</li> </ul> <p>Overall Dimensions: • W=44" D=22" H=15"</p>	ZYT2244S	<input type="checkbox"/> <input type="checkbox"/> <input type="checkbox"/>	<input type="checkbox"/> <input type="checkbox"/>	<input type="checkbox"/> <input type="checkbox"/>	<input type="checkbox"/> <input type="checkbox"/>	<input type="checkbox"/> <input type="checkbox"/>	<input type="checkbox"/> <input type="checkbox"/>	98.0#	\$ 2048	N/A	N/A
	ZYT2										

**A B C D E F G**

**HOW TO ORDER**

- Indicate the following information on order form:
- Quantity of each item.
  - Model number, including options. See "How To Build a Model Number".
  - Any special service required.

Note:

- The  indicates that a choice is required.
- The absence of the  indicates that no choice is required.
- Alpha-numeric characters in place of  indicate that no other alternatives are available.

**HOW TO BUILD A MODEL NUMBER**

- A** Select basic model.
- B** Select power & location.
  - NP** - No power
  - MT** - One Power Module; add \$248
- C** Select glide.
  - GFT** - Felt glides
  - GPL** - Plastic glides
  - Glides adjust 7/8"
- D** Select base/leg finish. Refer to the **Product Color Options** page in this price list. Polished aluminum base/leg requires an upcharge. See **FINISH INFORMATION**.
- E** Select power module color.
  - WPBL** - Black/Black Power Module
  - WPSL** - Silver/White Power Module
  - WPWH** - White/White Power Module

- F** Select laminate table finish. Refer to the **Product Color Options** page in this price list.
- G** Select 73P edge color. Refer to the **Product Color Options** page in this price list.

**NOTE**  
Solid surface color is always Corian® Glacier White.  
Corian® is a DuPont brand.

**FINISH INFORMATION**  
Polished Aluminum Upcharge:  
All Freestanding Occasional Tables \$116



**FINISH INFORMATION**  
ADDITIONAL LAMINATE OFFERING

KI offers laminates beyond those offered in the standard offering. Laminates that are currently available in the program can be viewed in KI product specification tools. Requests to add laminates to the program can be submitted via the product modification request process. Please note, requests to add laminates to the program must include the laminate manufacturers name, color/pattern number, and finish code. Edge options are limited to standard edge colors. If a matching edge is required, this will need to be requested thru the product modification request process and may be subject to additional costs. Due to varying manufacturing processes and quality issues with some laminates, some requests may be denied. Extended lead times and minimum order quantities may apply on orders containing special laminates. Contact the product modification team for questions or additional information regarding special laminates and pricing.

**SPECIAL SERVICES**  
**Special Carton Marking**  
With specially marked information N/C

**Shipping**  
Ships **assembled, FOB High Point, NC 27263, freight prepaid.** Freight class 250.  
Specifications and prices are subject to change without prior notice.



MODEL	MODEL NUMBER							Approx. Packaged Weight	Delivered Pricing	Laminate Grade 2 add to list price	Laminate Grade 3 add to list price
	Basic Model	Power & Location	Glide Option	Base Finish	Power Color	Table Finish	Edge Color (73P)				
 <p><b>Freestanding Cocktail Table, 30" x 30", Laminate</b></p> <ul style="list-style-type: none"> <li>Laminate table top</li> <li>14" die-cast aluminum leg</li> <li>Extruded aluminum base</li> <li>Power located in table surface, when power specified</li> </ul> <p>Overall Dimensions: • W=30" D=30" H=15"</p>	ZYT3030T	<input type="checkbox"/> <input type="checkbox"/> <input type="checkbox"/>	<input type="checkbox"/> <input type="checkbox"/>	<input type="checkbox"/> <input type="checkbox"/>	<input type="checkbox"/> <input type="checkbox"/>	<input type="checkbox"/> <input type="checkbox"/>	<input type="checkbox"/> <input type="checkbox"/>	80.0#	\$ 1501	\$ 27	\$ 178
ZYT3											
 <p><b>Freestanding Cocktail Table, 30" x 30", Solid Surface</b></p> <ul style="list-style-type: none"> <li>Corian® Solid Surface table top</li> <li>14" die-cast aluminum leg</li> <li>Extruded aluminum base</li> <li>Power located in table surface, when power specified</li> </ul> <p>Overall Dimensions: • W=30" D=30" H=15"</p>	ZYT3030S	<input type="checkbox"/> <input type="checkbox"/> <input type="checkbox"/>	<input type="checkbox"/> <input type="checkbox"/>	<input type="checkbox"/> <input type="checkbox"/>	<input type="checkbox"/> <input type="checkbox"/>	<input type="checkbox"/> <input type="checkbox"/>	<input type="checkbox"/> <input type="checkbox"/>	80.0#	\$ 2119	N/A	N/A
ZYT3											
	<b>A</b>	<b>B</b>	<b>C</b>	<b>D</b>	<b>E</b>	<b>F</b>	<b>G</b>				

**HOW TO ORDER**

- Indicate the following information on order form:
- Quantity of each item.
  - Model number, including options. See "How To Build a Model Number".
  - Any special service required.

Note: • The  indicates that a choice is required.  
• The absence of the  indicates that no choice is required.  
• Alpha-numeric characters in place of  indicate that no other alternatives are available.

**HOW TO BUILD A MODEL NUMBER**

- A** Select basic model.
- B** Select power & location.  

<b>NP</b>	- No power
<b>MT</b>	- One Power Module; add \$248
- C** Select glide.  

<b>GFT</b>	- Felt glides
<b>GPL</b>	- Plastic glides

 Glides adjust 7/8"
- D** Select base/leg finish.  
 Refer to the **Product Color Options** page in this price list.  
 Polished aluminum base/leg requires an upcharge. See FINISH INFORMATION.
- E** Select power module color.  

<b>WPBL</b>	- Black/Black Power Module
<b>WPSL</b>	- Silver/White Power Module
<b>WPWH</b>	- White/White Power Module

- F** Select laminate table finish.  
 Refer to the **Product Color Options** page in this price list.
- G** Select 73P edge color.  
 Refer to the **Product Color Options** page in this price list.

**NOTE**  
 Solid surface color is always Corian® Glacier White.  
 Corian® is a DuPont brand.

**FINISH INFORMATION**

Polished Aluminum Upcharge:  
 All Freestanding Occasional Tables \$116

**FINISH INFORMATION**

ADDITIONAL LAMINATE OFFERING

KI offers laminates beyond those offered in the standard offering. Laminates that are currently available in the program can be viewed in KI product specification tools. Requests to add laminates to the program can be submitted via the product modification request process. Please note, requests to add laminates to the program must include the laminate manufacturers name, color/pattern number, and finish code. Edge options are limited to standard edge colors. If a matching edge is required, this will need to be requested thru the product modification request process and may be subject to additional costs. Due to varying manufacturing processes and quality issues with some laminates, some requests may be denied. Extended lead times and minimum order quantities may apply on orders containing special laminates. Contact the product modification team for questions or additional information regarding special laminates and pricing.

**SPECIAL SERVICES**



**Special Carton Marking**

With specially marked information N/C

**Shipping**  
 Ships **assembled, FOB High Point, NC 27263, freight prepaid.** Freight class 250.

Specifications and prices are subject to change without prior notice.



MODEL	MODEL NUMBER							Approx. Packaged Weight	Delivered Pricing	Laminate Grade 2 add to list price	Laminate Grade 3 add to list price
	Basic Model	Power & Location	Glide Option	Base Finish	Power Color	Table Finish	Edge Color (73P)				
 <p><b>Freestanding Cocktail Table, 36" x 36", Laminate</b></p> <ul style="list-style-type: none"> <li>Laminate table top</li> <li>14" die-cast aluminum leg</li> <li>Extruded aluminum base</li> <li>Power located in table surface, when power specified</li> </ul> <p>Overall Dimensions: • W=36" D=36" H=15"</p>	ZYT3636T	<input type="checkbox"/> <input type="checkbox"/> <input type="checkbox"/>	<input type="checkbox"/> <input type="checkbox"/>	<input type="checkbox"/> <input type="checkbox"/>	<input type="checkbox"/> <input type="checkbox"/>	<input type="checkbox"/> <input type="checkbox"/>	<input type="checkbox"/> <input type="checkbox"/>	85.0#	\$ 1696	\$ 37	\$ 235
	ZYT3										
 <p><b>Freestanding Cocktail Table, 36" x 36", Solid Surface</b></p> <ul style="list-style-type: none"> <li>Corian® Solid Surface table top</li> <li>14" die-cast aluminum leg</li> <li>Extruded aluminum base</li> <li>Power located in table surface, when power specified</li> </ul> <p>Overall Dimensions: • W=36" D=36" H=15"</p>	ZYT3636S	<input type="checkbox"/> <input type="checkbox"/> <input type="checkbox"/>	<input type="checkbox"/> <input type="checkbox"/>	<input type="checkbox"/> <input type="checkbox"/>	<input type="checkbox"/> <input type="checkbox"/>	<input type="checkbox"/> <input type="checkbox"/>	<input type="checkbox"/> <input type="checkbox"/>	85.0#	\$ 2532	N/A	N/A
	ZYT3										

**A B C D E F G**

**HOW TO ORDER**

- Indicate the following information on order form:
- Quantity of each item.
  - Model number, including options. See "How To Build a Model Number".
  - Any special service required.

Note:

- The  indicates that a choice is required.
- The absence of the  indicates that no choice is required.
- Alpha-numeric characters in place of  indicate that no other alternatives are available.

**HOW TO BUILD A MODEL NUMBER**

- A** Select basic model.
- B** Select power & location.
  - NP** - No power
  - MT** - One Power Module; add \$248
- C** Select glide.
  - GFT** - Felt glides
  - GPL** - Plastic glides
  - Glides adjust 7/8"
- D** Select base/leg finish. Refer to the **Product Color Options** page in this price list. Polished aluminum base/leg requires an upcharge. See **FINISH INFORMATION**.
- E** Select power module color.
  - WPBL** - Black/Black Power Module
  - WPSL** - Silver/White Power Module
  - WPWH** - White/White Power Module

- F** Select laminate table finish. Refer to the **Product Color Options** page in this price list.
- G** Select 73P edge color. Refer to the **Product Color Options** page in this price list.

**NOTE**  
Solid surface color is always Corian® Glacier White.  
Corian® is a DuPont brand.

**FINISH INFORMATION**

Polished Aluminum Upcharge:

All Freestanding Occasional Tables \$116

**FINISH INFORMATION**

ADDITIONAL LAMINATE OFFERING

KI offers laminates beyond those offered in the standard offering. Laminates that are currently available in the program can be viewed in KI product specification tools. Requests to add laminates to the program can be submitted via the product modification request process. Please note, requests to add laminates to the program must include the laminate manufacturers name, color/pattern number, and finish code. Edge options are limited to standard edge colors. If a matching edge is required, this will need to be requested thru the product modification request process and may be subject to additional costs. Due to varying manufacturing processes and quality issues with some laminates, some requests may be denied. Extended lead times and minimum order quantities may apply on orders containing special laminates. Contact the product modification team for questions or additional information regarding special laminates and pricing.

**SPECIAL SERVICES**

**Special Carton Marking**

With specially marked information N/C

**Shipping**  
Ships **assembled, FOB High Point, NC 27263, freight prepaid.** Freight class 250.

Specifications and prices are subject to change without prior notice.



1330 BELLEVUE STREET  
GREEN BAY, WI 54302  
800.424.2432 / KI.COM

KI is a trusted expert for furniture and wall systems around the globe.  
USA | CANADA | MEXICO | UK | EUROPE | ASIA | MIDDLE EAST  
© 2026 Krueger International, Inc. All Rights Reserved.