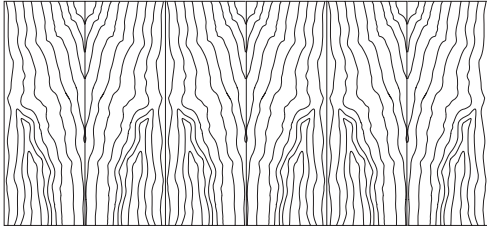


Product & Finish Information Overview:

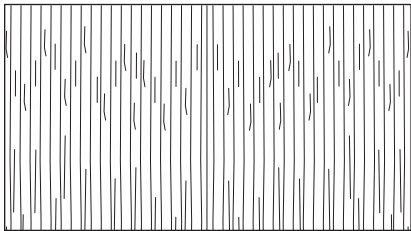
Exterior Wood Materials: Exterior surfaces are made from the finest selected veneers to achieve clarity and consistency in the Anthology Veneer product line. To attain a pleasing, symmetrical pattern, all cherry, maple, walnut veneers in Anthology Veneer are book-matched. All exterior solid lumber is matched to coordinate with the veneer.



Book-Matched Example

Alternating pieces of veneer are flipped over so they face each other like the pages within a book.

Anthology Veneer is available in flat cut cherry, maple, walnut and black oak veneer. A wide range of wood stains have been formulated to enhance the beauty of the veneer. Double Cut veneer is another choice on Anthology Veneer products. This veneer is a processed product that has at least two cuttings to create the final veneers. These cuts of veneer strands are dyed and layered into a block to create variation of patterns from a very tight grain pattern to an exotic figure grain pattern. The diagram below show the tight pattern used on Anthology Veneer. Use the appropriate pricing column when specifying Double Cut veneer.



Protective Top Coat: DuraTex™ offers exceptional hardness along with abrasion and impact resistance, it has been formulated to eliminate hazardous and harmful gases that are normally associated with wood finish.

DuraTex™ Features: Safety - Significantly reduces hazardous formaldehyde emissions which help improve the quality of the of the indoor air we breathe.

Quality - Developed to be tough and durable with special attention to appearance. The DuraTex™ finish preserves the natural beauty of wood.
Durability - Designed to meet a wide range of demanding performance and environmental standards to withstand even the highest wear and tear.

Finish Sheen: All veneer finishes are standard in 35-sheen, but all finishes are available in 15-sheen. Raven is an exception, as that finish is only offered in 15-sheen.

Custom/Special Finishes: JSI, upon request, will accommodate special finishes. A written request is required to proceed with custom finish orders. A sample reference is required for first-time matches and must be included with the written request.

There is a one-time charge of \$412 list per order for any non-standard wood finish.

Orders will be entered noting the special finish. A sample match will be provided to the customer. Written approval is needed before the finish process can be started. Delays in approval may have an impact on lead times.

Every effort will be made to create the requested match; however, an acceptable match may not be possible because of natural variations of wood. These natural variations can also cause minor differences in the final finish product.

Use standard pricing and option pricing for each line item with a special finish, unless additional modifications have been specified. For items available in both Essential and Artisan veneers, apply the Essentials pricing.

Laminates: Anthology Laminate features TFL (thermally fused laminate) chassis and components.

Edges of the worksurface are impact resistant (PVC) on TFL tops. The laminate is offered in 19 wood grain patterns and 7 solid colors. The wood grain laminate features an embossed grain to hide finger prints and light scratches. The solid laminate is smooth to the touch with a semi-matte finish.

Credenza Top Surfaces: Tops have a ¾" top panel thickness and a .5mm edgeband.

TFL features on Surfaces*

- fused to the 45 pound density substrate of the top for a durable wear resistance surface
- tops are laminated on both sides
- available in all the wood grain and solid patterns

Credenza Case Construction: Outside panels are ¾" and joined together with dowels reinforced with screws, and metal fasteners for increased stability. Tops are secured to the chassis with screws through pre-bored stretcher rails and pocket holes.

Cabinet doors have 110° swing hinges to allow adequate access into the interior of the cabinet.

Unfinished back, includes cutout in back side for wire management pass through.

Locking: Locks are available per door set.

When locks are ordered, units are shipped randomly keyed as standard. Key alike units are available upon request for no additional charges. Removable cores for in-field re-keying are standard.



Credenza Finish Information:

Laminate, Solid Wood, and Metal

TFL Laminates

ALB	Alabaster
BEL	Belair
BLK	Black
BRK	Brickdust
BBL	Bridal Blanco
CSK	Cask
CLY	Clay
DWH	Designer White
EGR	Egret
FAW	Fawn
FLN	Flint
FLO	Florence Walnut
LOF	Loft
MES	Mesa
MIN	Mineral
MCH	Mocha
OBK	Outback
PIL	Pilsner
PIN	Pinnacle Walnut
SHD	Shadow
SLG	Slate Grey
UMB	Umber
VAL	Valley
WLH	Walnut Heights
WEA	Weathered Ash
ZEN	Zen Grey

Solid Wood

BAR	Barrel
BRK	Brickdust
BUF	Buff
CSK	Cask
CND	Cinder
CLY	Clay
EGR	Egret
FAW	Fawn
FLX	Flax
FLN	Flint
FLO	Florence Walnut
LOF	Loft
MES	Mesa
MIN	Mineral
MCH	Mocha
OBK	Outback
PIL	Pilsner
PIN	Pinnacle Walnut
RAV	Raven
RYE	Rye
SAB	Sable
SAD	Saddle
SIE	Sienna
TRF	Truffle
UMB	Umber
VAL	Valley
WLH	Walnut Heights

Metal Colors - Classic

ABZ	Aged Bronze
ASL	Arctic Silver
BWH	Bright White
GLD	Gold
MBK	Matte Black
PEW	Pewter
SBZ	Soft Bronze
SNK	Soft Nickel
CHR	Chrome - upcharge applies

Metal Colors - Designer

TBF	Toffee Brown
CAB	Cashmere Beige
SMK	Stormy Sky
DST	Desert Stone
ANL	Antique Linen
POW	Porcelain White
SPR	Spiced Raisin
CAP	Candy Apple
GOH	Golden Honey
MUS	Mustard Seed
OLV	Olive Fog
EVP	Evergreen Pine
EMC	Emerald City
MWH	Midnight Whisper
BLJ	Blue Jean
SPA	Space Cadet
DUP	Dusty Petal
VMA	Vintage Mahogany
CDU	Copper Dust
SPP	Sparkling Peach
EBL	Electric Blue

Veneer

ESS Essentials Veneer

BRK	Brickdust
CSK	Cask
CLY	Clay
FAW	Fawn
FLX	Flax
FLN	Flint
LOF	Loft
MES	Mesa
MIN	Mineral
MCH	Mocha
OBK	Outback
PIL	Pilsner
SIE	Sienna
TRF	Truffle
UMB	Umber
VAL	Valley

ART Artisan Veneer

BAR	Barrel
BUF	Buff
CND	Cinder
EGR	Egret
RAV	Raven
RYE	Rye
SAB	Sable
SAD	Saddle

Paint - Door Fronts ONLY

BKD	Backdrop	ROS	Rose Tan
BFX	Black Fox	SAU	Saucy Gold
BRV	Bravado Red	SVP	Silverplate
BWH	Bright White	SKS	Skyline Steel
BRF	Broccoflower	STM	Storm
BTT	Butternut	TRC	Tricorn Black
CCY	Canyon Clay	UKH	Universal Khaki
CHT	Chatroom	WBL	Windy Blue
DEN	Denim		
GAL	Gale Force		
GRV	Greek Villa		
KGR	Kendal Green		
NWH	Nonchalant White		
NVL	Novel Lilac		
PPL	Patchwork Plum		
PGR	Pewter Green		
QAL	Queen Anne Lilac		
RPT	Redend Point		



Table Top Finish Information - Laminate:

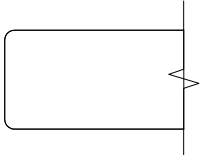
Table Top Models

The Anthology suffix T, H or KH is used to designate laminate material.

Laminate Tops

Anthology features 1 1/8" thick TFL (thermally fused laminate) and 1 3/8" thick HPL (high pressure laminate) table top surfaces with PVC rim.

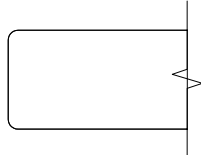
Top Profile



**Eased (R3)
suffix T**

TFL Laminates

- ALB Alabaster
- BBL Bridal Blanco
- BEL Belair
- BLK Black
- BRK Brickdust
- CSK Cask
- CLY Clay
- DWH Designer White
- EGR Egret
- FAW Fawn
- FLN Flint
- FLO Florence Walnut
- LOF Loft
- MES Mesa
- MIN Mineral
- MCH Mocha
- OBK Outback
- PIL Pilsner
- PIN Pinnacle Walnut
- SHD Shadow
- SLG Slate Grey
- UMB Umber
- VAL Valley
- WLH Walnut Heights
- WEA Weathered Ash
- ZEN Zen Grey



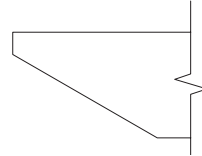
**Eased (R3)
suffix H**

Tier 1 - HPL Laminates

- ALB Alabaster
- BBL Bridal Blanco
- BEL Belair
- BLK Black
- BRK Brickdust
- CSK Cask
- CLY Clay
- DWH Designer White
- EGR Egret
- FAW Fawn
- FLN Flint
- FLO Florence Walnut
- LOF Loft
- MES Mesa
- MIN Mineral
- MCH Mocha
- OBK Outback
- PIL Pilsner
- PIN Pinnacle Walnut
- SHD Shadow
- SLG Slate Grey
- UMB Umber
- VAL Valley
- WLH Walnut Heights
- WEA Weathered Ash
- ZEN Zen Grey

Tier 2 Formica

Tier 2 Wilsonart



**Reverse Bevel (K9)
suffix KH**

Tier 1 - HPL Laminates

- ALB Alabaster
- BBL Bridal Blanco
- BEL Belair
- BLK Black
- BRK Brickdust
- CSK Cask
- CLY Clay
- DWH Designer White
- EGR Egret
- FAW Fawn
- FLN Flint
- FLO Florence Walnut
- LOF Loft
- MES Mesa
- MIN Mineral
- MCH Mocha
- OBK Outback
- PIL Pilsner
- PIN Pinnacle Walnut
- SHD Shadow
- SLG Slate Grey
- UMB Umber
- VAL Valley
- WLH Walnut Heights
- WEA Weathered Ash
- ZEN Zen Grey

Tier 2 Formica

Tier 2 Wilsonart

Tier 2 Laminates require the additional specification of a PVC edge band.
Choose from one of the following JSI standard options



Table Top Finish Information - Veneer:

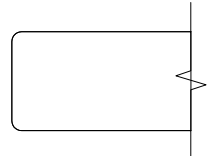
Table Models

The Anthology suffix V or KV is used to designate veneer material.

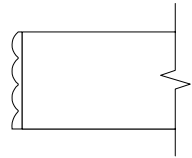
Veneer Tops

Anthology features 1 3/16" thick veneer table top surfaces in several rim and finish options.

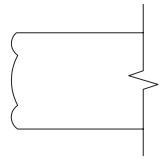
Top Profile



Eased (R3)



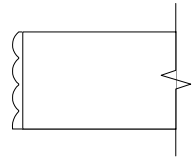
Reeded (H3)



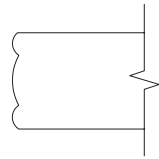
Transitional (C3)
suffix V



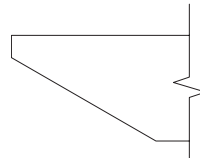
Eased (R3)



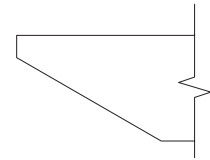
Reeded (H3)



Transitional (C3)
suffix V



Reverse Bevel (K9)
suffix KV



Reverse Bevel (K9)
suffix KV

ESS Essentials Veneer

BRK	Brickdust
CSK	Cask
CLY	Clay
FAW	Fawn
FLX	Flax
FLN	Flint
LOF	Loft
MES	Mesa
MIN	Mineral
MCH	Mocha
OBK	Outback
PIL	Pilsner
SIE	Sienna
TRF	Truffle
UMB	Umber
VAL	Valley

ART Artisan Veneer

BAR	Barrel
BUF	Buff
CND	Cinder
EGR	Egret
RAV	Raven
RYE	Rye
SAB	Sable
SAD	Saddle

ESS Essentials Veneer

BRK	Brickdust
CSK	Cask
CLY	Clay
FAW	Fawn
FLX	Flax
FLN	Flint
LOF	Loft
MES	Mesa
MIN	Mineral
MCH	Mocha
OBK	Outback
PIL	Pilsner
SIE	Sienna
TRF	Truffle
UMB	Umber
VAL	Valley

ART Artisan Veneer

BAR	Barrel
BUF	Buff
CND	Cinder
EGR	Egret
RAV	Raven
RYE	Rye
SAB	Sable
SAD	Saddle



CORPORATE OFFICE
225 CLAY STREET
JASPER, INDIANA 47546



800.457.4511 **TOLL FREE**
812.482.3204 **OFFICE**
812.482.1548 **FAX**



JSIFURNITURE.COM
[EXPLORE PRODUCT](#)



Contact JSI

Base Finish Information:

Laminates

TFL/HPL Laminates

ALB	Alabaster
BEL	Belair
BLK	Black
BRK	Brickdust
BBL	Bridal Blanco
CSK	Cask
CLY	Clay
DWH	Designer White
EGR	Egret
FAW	Fawn
FLN	Flint
FLO	Florence Walnut
LOF	Loft
MES	Mesa
MIN	Mineral
MCH	Mocha
OBK	Outback
PIL	Pilsner
PIN	Pinnacle Walnut
SHD	Shadow
SLG	Slate Grey
UMB	Umber
VAL	Valley
WLH	Walnut Heights
WEA	Weathered Ash
ZEN	Zen Grey

Veneer

ESS Essentials Veneer

BRK	Brickdust
CSK	Cask
CLY	Clay
FAW	Fawn
FLX	Flax
FLN	Flint
LOF	Loft
MES	Mesa
MIN	Mineral
MCH	Mocha
OBK	Outback
PIL	Pilsner
SIE	Sienna
TRF	Truffle
UMB	Umber
VAL	Valley

ART Artisan Veneer

BAR	Barrel
BUF	Buff
CND	Cinder
EGR	Egret
RAV	Raven
RYE	Rye
SAB	Sable
SAD	Saddle

Solid Wood

BAR	Barrel
BRK	Brickdust
BUF	Buff
CSK	Cask
CND	Cinder
CLY	Clay
EGR	Egret
FAW	Fawn
FLX	Flax
FLN	Flint
FLO	Florence Walnut
LOF	Loft
MES	Mesa
MIN	Mineral
MCH	Mocha
OBK	Outback
PIL	Pilsner
PIN	Pinnacle Walnut
RAV	Raven
RYE	Rye
SAB	Sable
SAD	Saddle
SIE	Sienna
TRF	Truffle
UMB	Umber
VAL	Valley
WLH	Walnut Heights

Metal

CLA Classic

ABZ	Aged Bronze
ASL	Arctic Silver
BWH	Bright White
GLD	Gold
MBK	Matte Black
PEW	Pewter
SBZ	Soft Bronze
SNK	Soft Nickel
CHR	Chrome - upcharge applies available on Frame and Outline bases only

DSG Designer

TBF	Toffee Brown
CAB	Cashmere Beige
SMK	Stormy Sky
DST	Desert Stone
ANL	Antique Linen
POW	Porcelain White
SPR	Spiced Raisin
CAP	Candy Apple
GOH	Golden Honey
MUS	Mustard Seed
OLV	Olive Fog
EVP	Evergreen Pine
EMC	Emerald City
MWH	Midnight Whisper
BLJ	Blue Jean
SPA	Space Cadet
DUP	Dusty Petal
VMA	Vintage Mahogany
CDU	Copper Dust
SPP	Sparkling Peach
EBL	Electric Blue



Anthology Specification Overview:

Table tops, bases, and power components are ordered separately

1 Select Top Material

Choose between TFL with eased pvc rim, HPL with eased or reverse bevel pvc rim, and Veneer with eased, reeded, transitional, or reverse bevel veneer edge band.

2 Select Top Size And Shape

Options include, rectangular, soft rectangular, arc rectangular, boat, arc boat, racetrack, and round. Sizes range from 36" -60" depth and 72" -240" width in 6" increments to accommodate various room sizes.

3 Select Base Style And Finish

- Bevel, Bridge, and Fluted Cylinder solid wood bases.
- Conical and Racetrack HPL and Veneer bases.
- Outline TFL and Veneer bases.
- Oblique Metal powdercoat bases.
- Frame and Frame BridgeLine metal powdercoat and chrome bases.
- Racetrack and Racetrack BridgeLine HPL and Veneer bases.

For ease of specification, bases are sold in kits aligned to specific top sizes. The base kit is a complete set of bases, mounting brackets, screws, along with stretcher rails and undersurface metal support as required for applicable top sizes.

4 Select The Power Modules

Options for power include:

Electrolite, Ellora, Ellora Double, M2X, Node, Oasis, Vault Z23 Retractable, and Vault BTC Rotating. A broad selection of performance features support small to large power requirements including USB A+C.

Selected models are available with corded plug, hardwire, or one-, two-, three-, and four-unit kits linked together with a single plug. Kits include power units, jumpers, power infeed, and all applicable parts to simplify specification. Kits are specific to table width.

Anthology tops and bases are designed to be specified together as per the application guidelines listed in the pricing section. They are not to be used with tops and bases from other series.



CORPORATE OFFICE
225 CLAY STREET
JASPER, INDIANA 47546



800.457.4511 **TOLL FREE**
812.482.3204 **OFFICE**
812.482.1548 **FAX**



JSIFURNITURE.COM
[EXPLORE PRODUCT](#)



Contact JSI

Table Top Specification:

Product Specifications:

Top shapes are available in rectangular, soft rectangular, arc rectangular, boat, arc boat, racetrack, and round. Sizes range from 36" – 60" depth and 72" – 240" width in 6" increments.

Tops Are Balanced Construction Available In:

- TFL (thermally fused laminate) 1 1/8" thick particle board core with 3mm PVC Eased (R3) rim.
- HPL (high pressure laminate) 1 3/16" thick particle board core with 3mm PVC Eased (R3) rim.
- HPL (high pressure laminate) 1 3/16" thick MDF core with 1mm PVC Reverse Bevel (K9) rim. Underside of bevel is painted to match PVC rim.
- Veneer 1 3/16" thick particle board core with 3mm veneer edge band in Eased (R3), Reeded (H3), or Transitional (C3) rims.
- Veneer 1 3/16" thick MDF with 1mm edge band Reverse Bevel (K9). Underside of bevel is finished to match surface and edge band.
- Tops are rimmed on all sides.
- TFL and HPL tops are standard with PVC rim to match the top color.
- Veneer tops are standard with edge band stained to match top.
- HPL tops are available with an extended laminate offering (Tier 2) from Formica and Wilsonart. Customer will select the PVC edge color.
- Grain direction for TFL, HPL, and Veneer runs with the width of the top (left to right).
- Great care is taken to align multi-piece laminate woodgrain tops as closely as possible at the seams. However; due to the natural pattern variations and manufacturing tolerances, a perfect grain match cannot be guaranteed.

Pieces:

- 72" – 96" widths – one piece top
- 102" – 120" widths – one- and two-piece tops
- 126" – 192" – two-piece tops
- 198 – 240" – 3 equal piece tops

Multiple piece tops ship with joint connectors and biscuits to align and draw table sections together at the seams. Hardware to attach tops to bases, ship with the base or base kits.



CORPORATE OFFICE
225 CLAY STREET
JASPER, INDIANA 47546



800.457.4511 **TOLL FREE**
812.482.3204 **OFFICE**
812.482.1548 **FAX**



JSIFURNITURE.COM
[EXPLORE PRODUCT](#)



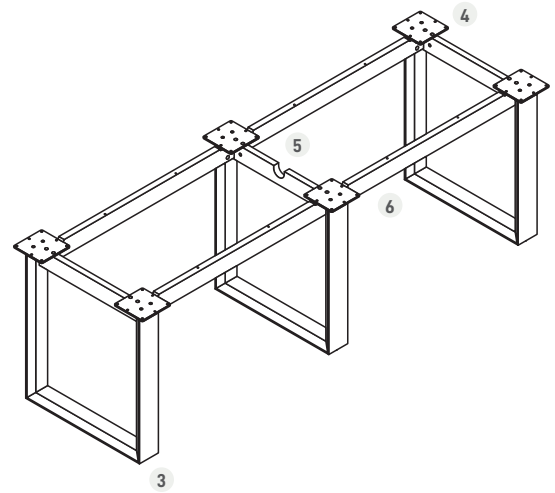
Contact JSI

Base Specification:

Bevel Base Kit

Available in maple, oak, and walnut solid wood. Wood species aligns with respective finish.

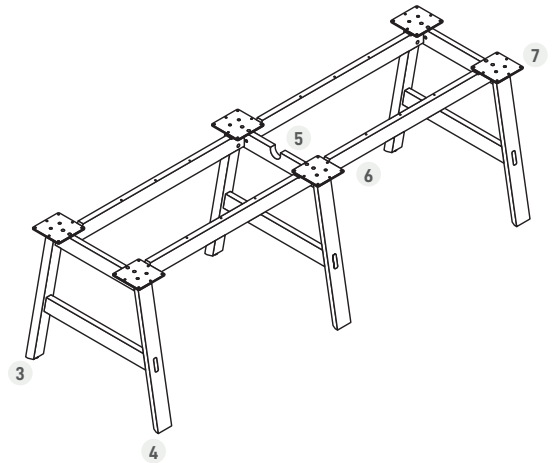
1. Base is 27 7/8" high, 29" with 1 1/8" top.
2. Base kits are specific to top depth and width, and come in two-, three-, and four-base configurations. Supports top sizes 36"-60" depth and 72"-240" width.
3. Base depths are 18", 24", and 30". Individual base dimensions are 4" wide x 1 3/8" thick.
4. Metal mounting plates, with hardwood end and center rails.
5. Center bases have a 2" diameter cord pass through for routing cords base to base under the table top.
6. Veneer side stretcher rails, 3" high x 1 1/8" deep will match base finish.
7. Base includes levelers.
8. Attachment hardware for top ships with base.
9. Order cord management to floor separately.



Bridge Base Kit

Available in maple, oak, and walnut solid wood. Wood species aligns with respective finish.

1. Base is 27 7/8" high, 29" with 1 1/8" top.
2. Base kits are specific to top depth and width, and come in two-, three-, and four-base configurations. Supports top sizes 36"-60" depth and 72"-240" width.
3. Base depths are:
 - 24" at bottom, 14 3/8" at top
 - 30" at bottom, 20 3/8" at top
 - 36" at bottom, 26 3/8" at top
4. Individual base dimensions are 3" wide, 3/8" thick. Horizontal rail is 3" high x 1" thick.
5. Center bases have a 2" diameter cord pass through for routing cords base to base under the table top.
6. Veneer side stretcher rails, 3" high x 1 1/8" deep will match base finish.
7. Metal mounting plates, with hardwood end and center rails.
8. Attachment hardware for top ships with base.
9. Base includes levelers.
10. Order cord management to floor separately.



CORPORATE OFFICE
225 CLAY STREET
JASPER, INDIANA 47546



800.457.4511 **TOLL FREE**
812.482.3204 **OFFICE**
812.482.1548 **FAX**



JSIFURNITURE.COM
[EXPLORE PRODUCT](#)



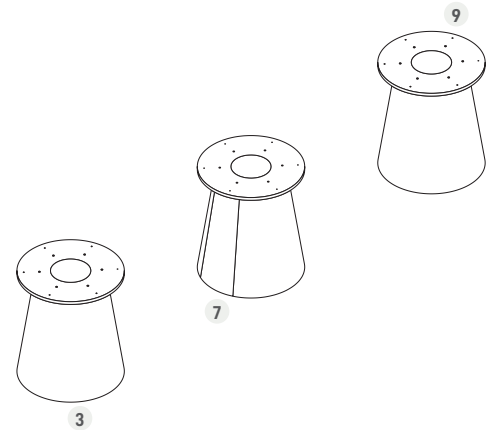
Contact JSI

Base Specification:

Conical Single Base & Conical Base Kit

Available in HPL and Veneer surfaces. Grain runs vertical.

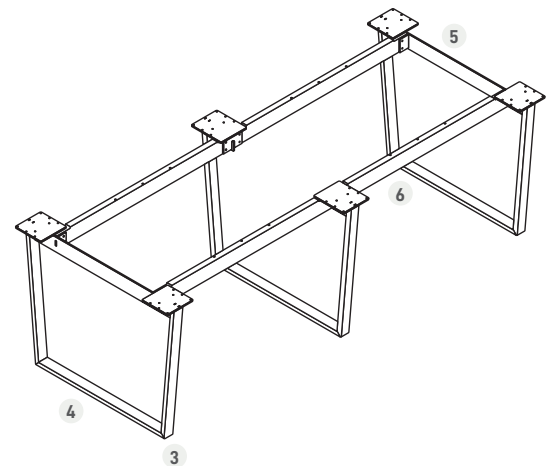
1. Base is 27 7/8" high, 29" with 1 1/8" top.
2. Single bases are for use with round tops from 36" -60". Available with or without access for cable management.
3. Base kits are specific to top depth and width, and come in two-, three-, and four-base configurations. Supports top sizes 42"-60" depth and 102"-240" width. Base kits come standard with a combination of access and non access doors. Access base can be in any base location to accommodate floor power.
 - 2 base kits include 1 access and 1 non access base
 - 3 base kits include 1 access and 2 non access bases
 - 4 base kits include 2 access and 2 non access bases
4. All 20" diameter bases are 20" at bottom and taper to 12" at top. Cable management opening is 6" at top and 9" at bottom.
5. All 24" diameter bases are 24" at bottom and taper to 16" at top. Cable management opening is 9" at the top and bottom.
6. All models have a cord pass through at upper side of base for routing cords base to base under the table top. Opening is 1 5/8" wide x 2 1/4" high (not visible on line art below.)
7. Quick release removable access panel.
8. The counterweight will be included and will ship with the following bases:
 - Single base for 36" -60" round tops.
 - Base kits for 42" -48" depth and 102" -240" width tops.
9. Black particle board mounting pad with a attachment hardware for top ships with base.
10. Base includes levelers.
11. Selected models ship with metal support that runs with width of base where required.



Frame Base Kit

Available in metal powdercoat paint and chrome finishes.

1. Base is 27 7/8" high, 29" with 1 1/8" top.
2. Base kits are specific to top depth and width, and come in two-, three-, and four-base configurations. Supports top sizes 36"-60" depth and 72"-240" width.
3. The bottom and sides of each base are 14 gauge, 2" x 1" rectangle tube.
4. Bases are tapered in design.
 - 18" depth bottom, tapers to 22 7/8" at top.
 - 24" depth bottom, tapers to 28 7/8" at top.
 - 30" depth bottom, tapers to 34 7/8" at top.
5. Metal mounting plates and end rails are painted to match base.
6. Side stretcher rails, 3" high x 1 1/8" deep Black TFL.
7. Base includes levelers.
8. Attachment hardware for top ships with base.
9. Magnetic Metal Wire Manager sold separately.

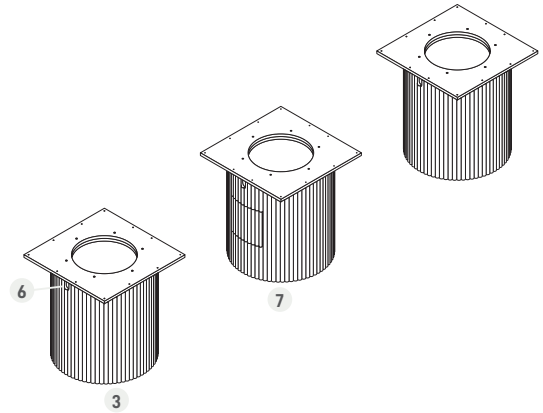


Base Specification:

Fluted Cylinder Single Base & Fluted Cylinder Base Kit

Available in maple, oak, and walnut fluted solid wood. Wood species will align to respective finish
Grain runs vertical.

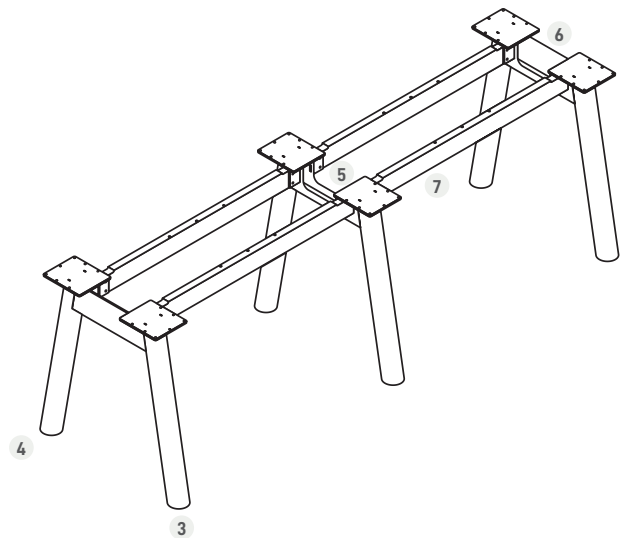
1. Base is 27 7/8" high, 29" with 1 1/8" top.
2. Single bases are for use with round tops from 36" -60". Available with or without access for cable management.
3. Base kits are specific to top depth and width, and come in two-, three-, and four-base configurations. Supports top sizes 42"-60" depth and 102"-240" width. Base kits come standard with a combination of access and non access doors. Access base can be in any base location to accommodate floor power.
 - 2 base kits include 1 access and 1 non access base
 - 3 base kits include 1 access and 2 non access bases
 - 4 base kits include 2 access and 2 non access bases
4. All 18 model bases are 19 1/8" diameter with fluted profile. Cable management opening is 11 1/2" diameter at top 7" diameter at bottom.
5. All 24 model bases are 24 5/8" diameter with fluted profile. Cable management opening is 15" diameter at the top and 9" diameter at bottom.
6. All models have a cord pass through at upper side of base for routing cords base to base under the table top. Opening is 1 5/8" wide x 2 1/4" height.
7. Access base has a 10" x 10" square hinged door.
8. The counterweight will be included and will ship with the following bases:
 - Single base for 36" -60" round tops.
 - Base kits for 42" -48" depth and 102" -240" width tops.
9. Black particle board mounting pad and attachment hardware for top ships with base.
10. Base includes levelers.
11. Selected models ship with metal support that runs with width of base where required.



Oblique Base Kit

Available in metal standard and additional powdercoat finishes.

1. Base is 27 7/8" high, 29" with 1 1/8" top.
2. Base kits are specific to top depth and width, and come in two-, three-, and four-base configurations. Supports top sizes 36"-60" depth and 72"-240" width.
3. Legs are 14 gauge, 3" round tube.
4. Base depths are:
 - 24" models are 27" at bottom, 17 3/8" at top.
 - 30" models are 33" at bottom, 23 3/8" at top.
 - 36" models are 39" at bottom, 29 3/8" at top.
5. Center bases allow cord pass through for routing cords base to base under the table top.
6. Metal mounting plates and end rails are painted to match the base.
7. Side stretcher rails, 3" high x 1 1/8" deep Black TFL.
8. Base includes levelers.
9. Attachment hardware for top ships with base

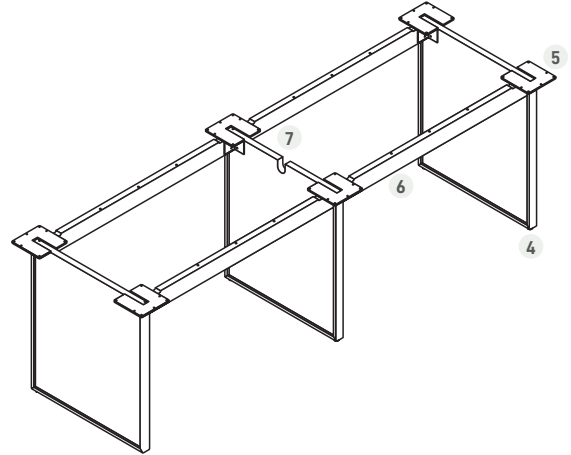


Base Specification:

Outline Base Kit

Available in TFL and Veneer surfaces with powdercoat or chrome metal accent trim.
Grain runs vertical.

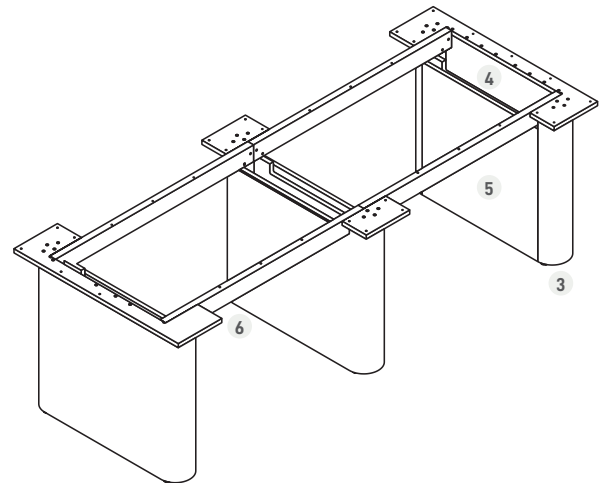
1. Base is 27 7/8" high, 29" with 1 1/8" top.
2. Base kits are specific to top depth and width, and come in two-, three-, and four-base configurations. Supports top sizes 36"-60" depth and 72" -240" width.
3. Individual base depths are 18", 24", and 30". Base width is 1 1/2".
4. Base design features a 1 1/8" thick panel with a 3/4" x 1 1/2", 14-gauge metal accent trim at sides and bottom.
5. Metal mounting plates.
6. Side stretcher rails, 3" high x 1 1/8" deep and match base finish.
7. Center bases have a 1 5/8" wide x 2" high cord pass through for routing cords base to base under the table top.
8. Base includes levelers.
9. Attachment hardware for top ships with base
10. Order cord management to floor separately.



Racetrack Base Kit

Available in HPL and Veneer surfaces. Grain runs vertical.

1. Base is 27 7/8" high, 29" with 1 1/8" top.
2. Base kits are specific to top depth and width, and come in two-, three-, and four-base configurations. Supports top sizes 36"-60" depth and 72" -240" width.
3. Individual base depths are 18", 24", and 30". Base width is 6".
4. Interior clearances for cable management are as follows:
 - Top opening is 3 3/8" wide, bottom opening is 2 1/2" wide.
 - Top and bottom depth opening is:
 - 9 1/2" for 18" base
 - 15 1/2" for 24" base
 - 21 1/2" for 30" base
5. All bases in the kit feature a removable access panel on inside of each base. The center base can have removable access positioned in either direction.
6. Side stretcher rails, 3" high x 1 1/8" deep and match base finish.
7. Attachment hardware for top ships with base
8. Base includes levelers.

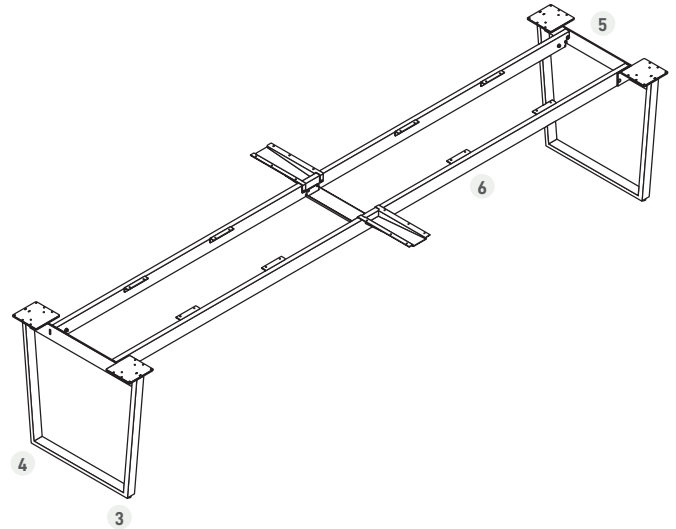


Base Specification:

Frame Bridgeline Base Kit

Available in metal powdercoat paint and chrome finishes.

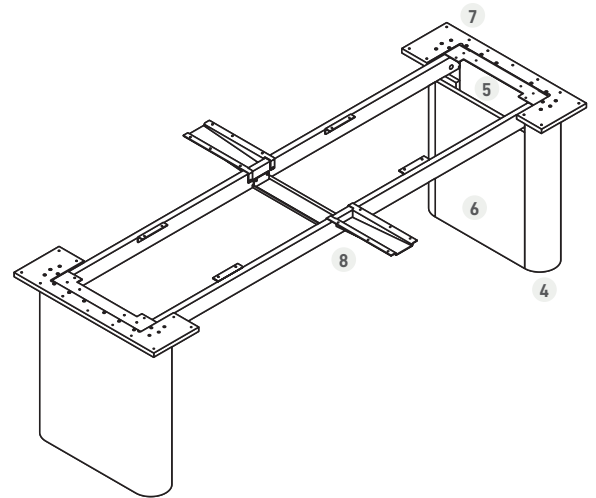
1. Base is 27 7/8" high, 29" with 1 1/8" top.
2. Base kits are specific to top depth and width, and come in two-base configurations. Supports top sizes 48", 54", 60" depth and 120" -192" width.
3. Bottom and sides of each base are 14 gauge, 2" x 1" rectangle tube.
4. Bases are tapered in design.
 - 24" depth bottom, tapers to 28 7/8" at top.
 - 30" depth bottom, tapers to 34 7/8" at top.
5. Metal mounting plates and center support structure are black. End rails are painted to match the base.
6. Two metal side beams are black 14-gauge tube, 3" high x 1" in.
7. Base includes levelers.
8. Attachment hardware for top ships with base.
9. Magnetic metal wire manager sold separately.



Racetrack Bridgeline Base Kit

Available in HPL and Veneer surfaces. Grain runs vertical.

1. BridgeLine Base Kits feature a patent-pending 2 base support structure.
2. Base is 27 7/8" high, 29" with 1 1/8" top.
3. Base kits are specific to top depth and width, and come in 2-base configurations. Supports top sizes 48", 54", 60" depth and 120" -192" width.
4. Individual base depths are 24" and 30". Base width is 6".
5. Interior clearances for cable management are as follows:
 - Top opening is 3 3/8" wide, bottom opening is 2 1/2" wide.
 - Top and bottom depth opening is:
 - 15 1/2" for 24" base
 - 21 1/2" for 30" base
6. Each base in the kit features a removable access door on inside of the base.
7. Mounting pads: metal center support structure and rails are black.
8. Two metal side beams are black 14-gauge tube, 3" high x 1".
9. Base includes levelers.
10. Attachment hardware for top ships with base.



Recommended Seating Capacity:

Recommended Seating Capacity

Applies to rectangular, soft rectangular, arc rectangular, boat, arc boat, racetrack, and round.

Top Width	Depth				
	36"	42"	48"	54"	60"
36	3				
42		4			
48			4		
54				6	
60					8
72 -90	6	6	6		
96	8	8	8		
102 -114		8	8		
120		8	8	8	10
126 -132			8	8	10
138 -144			10	10	10
150 -162			10	10	12
168 -174			12	12	12
180 - 186			12	12	14
192 - 216			14	14	16
222			16	16	16
228 -240			16	16	18

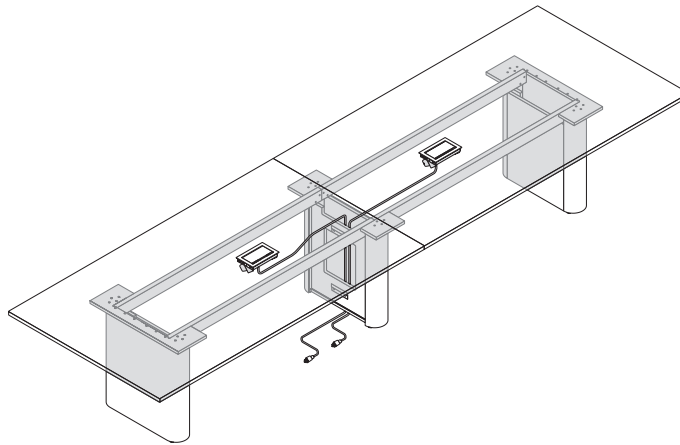
Table Top Power Overview:

Anthology Power Modules offer a broad selection of performance features to support small to large power requirements including USB A+C. Models are available as single specified units. Selected models are available as modular component system kits with a single plug.

Power modules can be integrated into table tops to provide convenient electrical access for devices. There are two main ways to connect them to the building's power:

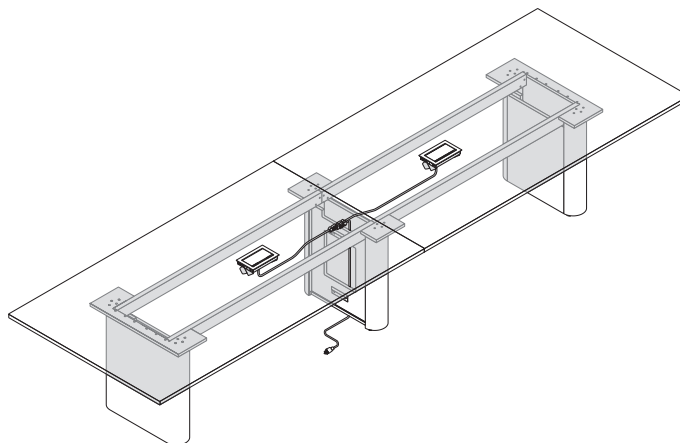
Direct Plug-In:

The power module can be connected directly to a floor monument. There must be one power outlet per single corded unit. Dual corded modules require two outlets per unit. This method requires several floor outlets to power multiple units.



Single Plug-In Modular Component System:

Several power modules are linked with a single-circuit power system. Multiple power unit kits are linked together and connect to a floor monument with a single connection. Linking systems reduces the need for multiple floor outlets and simplify installation.



Power Types & Top Cutout Locations

Pre-determined cutout locations are available based on top size and base style.

Power Types



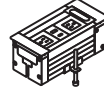
Cutout CA Node



Cutout CB Electrolite



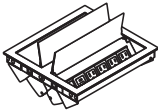
Cutout CD Ellora



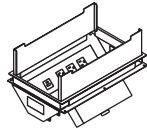
Cutout CE Vault Retractable Z23



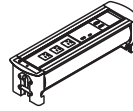
Cutout CF M2X



Cutout CG Ellora Double



Cutout CH Oasis Two Sided



Cutout CJ Vault BTC Rotating

Location Codes

One Cutout Center	Two Cutouts Ends (over bases)	Two Cutouts Mid (between bases)	Three Cutouts Center + Ends	Three Cutouts Center + Mid	Four Cutouts Mid + Ends
CA1C	N/A	N/A	N/A	N/A	N/A
CB1C	CB2E	CB2M	CB3CE	CB3CM	CB4ME
CD1C	CD2E	CD2M	CD3CE	CD3CM	CD4ME
CE1C	CE2E	CE2M	CE3CE	CE3CM	CE4ME
CF1C	CF2E	CF2M	CF3CE	CF3CM	N/A
CG1C	CG2E	CG2M	CG3CE	CG3CM	N/A
CH1C	N/A	CH2M	CH3CE	CH3CM	N/A
CJ1C	CJ2E	CJ2M	CJ3CE	CJ3CM	N/A

Quantity Of Units To Order, For Single Units Or Order One Kit Based On Number Of Cutouts.

1	2	2	3	3	4