

Lok Training Top Shapes

Lok offers 12 training table top shapes. Tables are available in 29" and are always laminate. Compatible bases are: T Base, Cantilever T Base or In Line. Seating capacity below assumes that only one side is used.



Rectangular

- 29"H**
- 20" x 36" Seats 1
 - 20" x 48" Seats 1
 - 20" x 60" Seats 2
 - 20" x 66" Seats 2
 - 20" x 72" Seats 3
 - 20" x 84" Seats 3
 - 20" x 96" Seats 4
 - 24" x 36" Seats 1
 - 24" x 48" Seats 1
 - 24" x 60" Seats 2
 - 24" x 66" Seats 2
 - 24" x 72" Seats 3
 - 24" x 84" Seats 3
 - 24" x 96" Seats 4
 - 30" x 36" Seats 1
 - 30" x 48" Seats 1
 - 30" x 60" Seats 2
 - 30" x 72" Seats 3
 - 30" x 84" Seats 3
 - 30" x 96" Seats 4



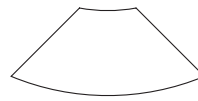
Trapezoid

- 29"H**
- 24" x 48" Seats 1
 - 30" x 48" Seats 1



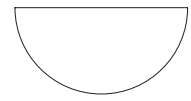
Lecture

- 29"H**
- 24" x 48" Seats 1
 - 24" x 60" Seats 2
 - 30" x 48" Seats 1
 - 30" x 60" Seats 2



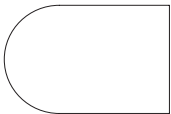
Crescent

- 29"H**
- 24" x 48" Seats 1
 - 30" x 48" Seats 1



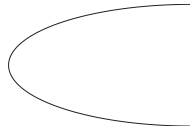
Half Round

- 29"H**
- 24" x 48" Seats 2
 - 30" x 60" Seats 2



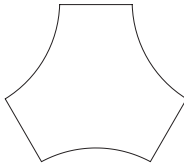
Bullet

- 29"H**
- 30" x 60" Seats 4
 - 30" x 66" Seats 4
 - 30" x 72" Seats 5
 - 36" x 60" Seats 4
 - 36" x 66" Seats 5
 - 36" x 72" Seats 5
 - 48" x 72" Seats 6



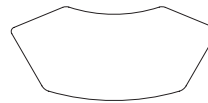
Hive

- 29"H**
- 30" x 60" Seats 4
 - 30" x 66" Seats 4
 - 30" x 72" Seats 5
 - 36" x 60" Seats 4
 - 36" x 66" Seats 5
 - 36" x 72" Seats 5
 - 48" x 72" Seats 6



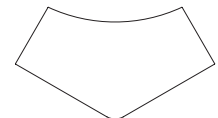
Intersect

- 29"H**
- 24" x 60" Seats 6
 - 30" x 60" Seats 6



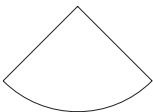
Huddle

- 29"H**
- 30" x 72" Seats 6
 - 36" x 84" Seats 6



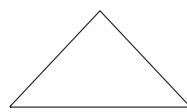
One Twenty

- 29"H**
- 42" x 73" Seats 4
 - 45" x 84" Seats 4



Quarte Round

- 29"H**
- 24" Seats 1
 - 30" Seats 1



Wedge Link

- 29"H**
- 24" Seats 1
 - 30" Seats 1



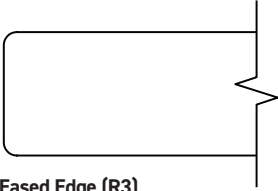
Lok Training Surface Materials

Laminate Tops

Lok training table worksurfaces are offered in both TFL (Thermal Fused Laminate) and HPL (High Pressure Laminate). The tops are 13/16" thick, 3 ply balanced construction.

HPL - Particle board core, HPL face and a phenolic backer sheet complete the balanced construction.

TFL - Particle board core, TFL thermally fused face and matching backer complete the balanced construction.



Eased Edge (R3)

PVC

Standard PVC Edge Colors

JSI supports the 26 standard PVC edge colors listed below. These coordinate with our Standard TFL and HPL (T1) Laminates.

When selecting a Standard TFL or HPL 1 Laminate, the coordinating PVC edge color is automatically applied. When selecting a Graded-In Laminate (HPL 2), you will be prompted to choose between one of those 26 PVC edge colors to be applied to the edge.

ALB	Alabaster	MES	Mesa
BEL	Belair	MIN	Mineral
BLK	Black	MCH	Mocha
BRK	Brickdust	OBK	Outback
BBL	Bridal Blanco	PIL	Pilsner
CSK	Cask	PIN	Pinnacle Walnut
CLY	Clay	SHD	Shadow
DWH	Designer White	SLG	Slate Grey
EGR	Egret	UMB	Umber
FAW	Fawn	VAL	Valley
FLN	Flint	WAL	Walnut Heights
FLO	Florence Walnut	WEA	Weathered Ash
LOF	Loft	ZEN	Zen Grey

JSI's Standard Laminate Program

JSI's Standard Laminate Program consists of 26 solid and wood grain patterns, and establish our standard TFL and HPL (T1) laminate pricing. Each has a coordinating PVC edge color that is automatically used with the Standard Laminates.

Wood Grain Laminate

BEL	Belair	MIN	Mineral
BRK	Brickdust	MCH	Mocha
CSK	Cask	OBK	Outback
CLY	Clay	PIL	Pilsner
EGR	Egret	PIN	Pinnacle Walnut
FAW	Fawn	UMB	Umber
FLN	Flint	VAL	Valley
FLO	Florence Walnut	WLH	Walnut Heights
LOF	Loft	WEA	Weathered Ash
MES	Mesa		

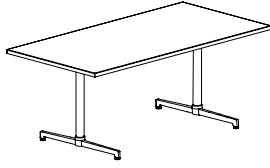
Solid Laminate

ALB	Alabaster
BLK	Black
BBL	Bridal Blanco
DWH	Designer White
SHD	Shadow
SLG	Slate Grey
ZEN	Zen Grey



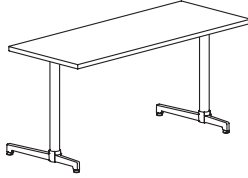
Lok Training Base Styles

Lok provides a choice selection of bases in both function and aesthetics to serve a variety of needs. The training offering includes: T-base, Cantilever T-Base, and In-Line T-Base



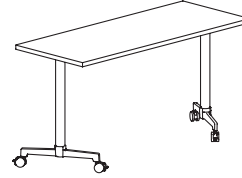
T-Base

- models offered in fixed leg with glide or caster, tilt with caster, or 9 pin adjustable height leg
- compatible with the following top shapes: bullet, crescent, half round, lecture, rectangular, trapezoid, intersect, huddle, hive, one-twenty
- base finish - select single metal finish or two-tone metal finish. See options listed below.



Cantilever T-Base

- models offered in fixed leg with glide or caster, tilt with caster, or 9 pin adjustable height leg
- compatible with the following top shapes: crescent, half round, lecture, rectangular, trapezoid
- base finish - select single metal finish or two-tone metal finish. See options listed below.

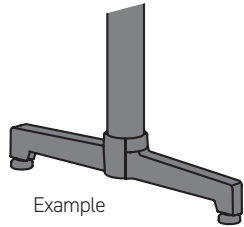


In-Line T-Base

- available in 29" h leg with caster
- compatible with the following top shapes: crescent, half round, lecture, rectangular, trapezoid
- base finish - select single metal finish or two-tone metal finish. See options listed below.
- allows tables to nest inline
- not available on 30"d rectangular tops

Single Metal Finish

- ABZ Aged Bronze Feet & Post
- ASL Arctic Silver Feet & Post
- BWH Bright White Feet & Post
- GLD Gold Feet & Post
- PEW Pewter Feet & Post
- MBK Matte Black Feet & Post
- SBZ Soft Bronze Feet & Post
- SNK Soft Nickel Feet & Post



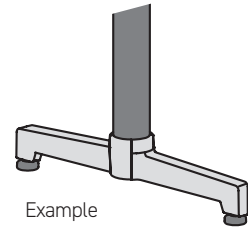
Example

Two - Tone Metal Finish

Two-Tone Aesthetics can be achieved by specifying Polished Aluminum on the foot and a contrasting finish on the post

Polished Aluminum Feet

- ABZ Aged Bronze Post
- ASL Arctic Silver Post
- BWH Bright White Post
- GLD Gold Post
- PEW Pewter Post
- MBK Matte Black Post
- SBZ Soft Bronze Post
- SNK Soft Nickel Post

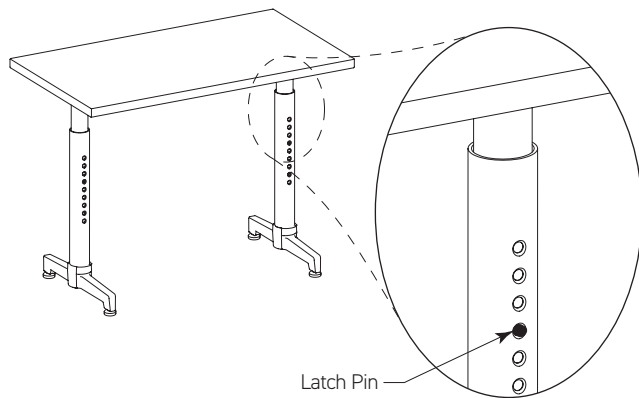


Example

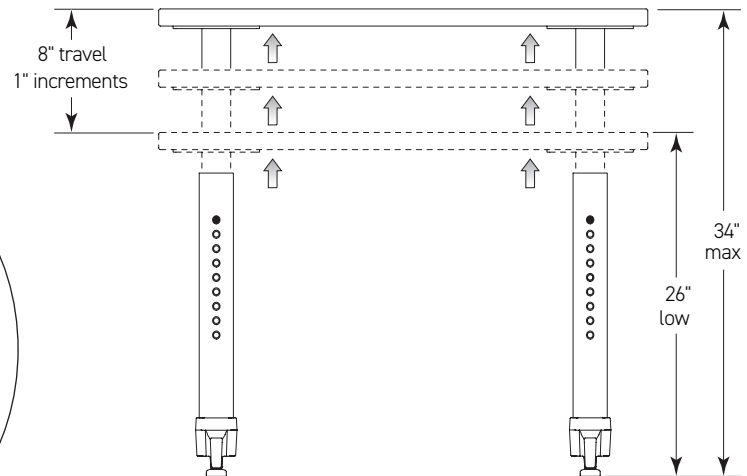
9-Pin Adjustable Height

Pin adjustment located on column offers the ability to adjust tables from 26" to 34" high.

Easy operation by pushing in spring loaded latch pins, slide to desired height position and release pins to lock into place.



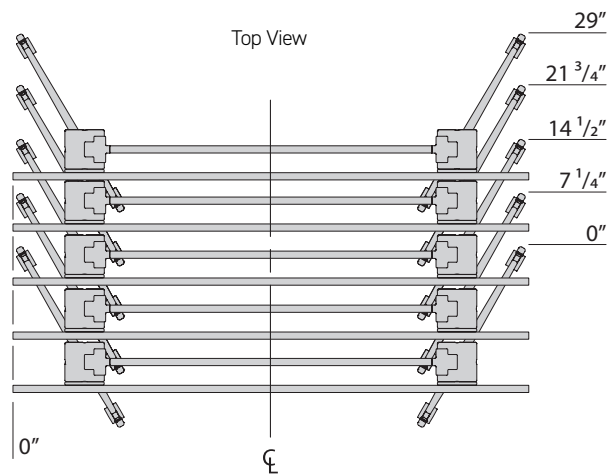
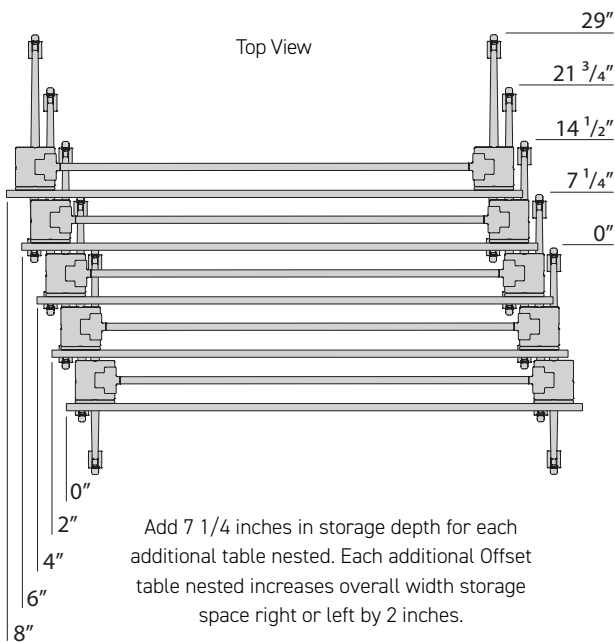
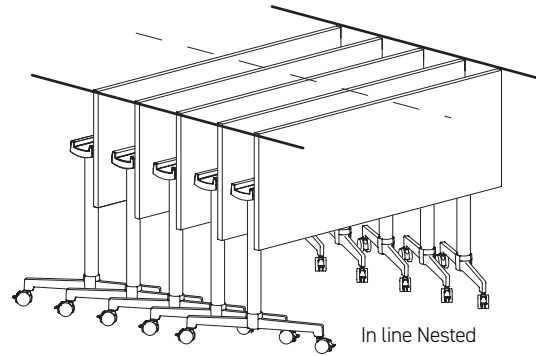
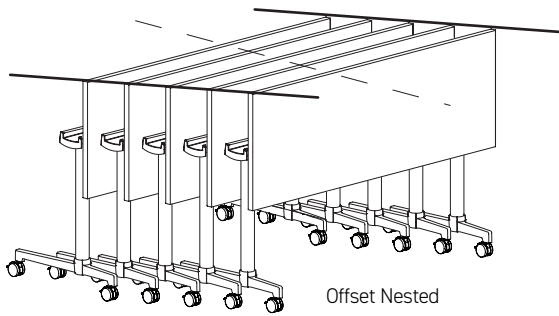
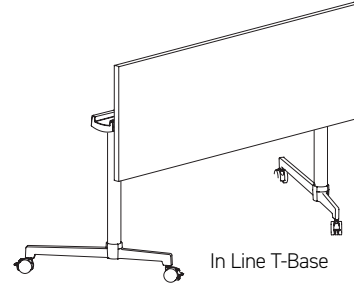
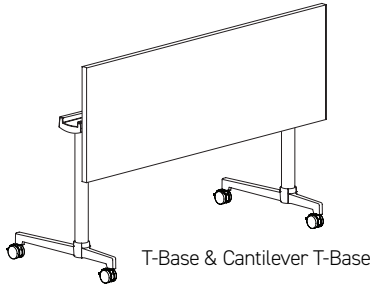
Latch Pin



Lok Training Nesting & Space Planning

Lok In line and Offset Nesting

- adapt to ever changing multi-purpose areas, providing reconfigurability
- modularity, flexibility and ease of use by a single individual with single paddle release
- tilt and lock in position for easy nested storage
- T-Base & Cantilever T-Base allows nesting applications with the offset spacing, while In Line nesting is achieved by the In Line T-Base
- offset or in line nesting limit storage space required to move the tables out of the way
- compact tilted tables easily move to another location
- wire management clips are incorporated into the horizontal top cross beam in 48" or wider tables



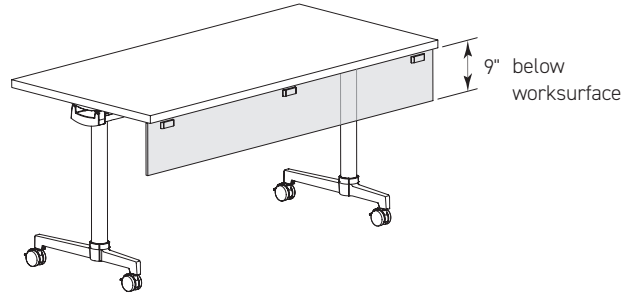
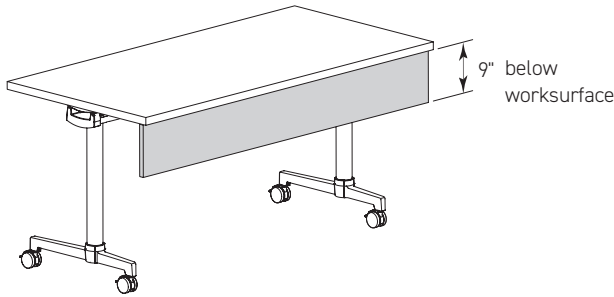
Add 7 1/4 inches in storage depth for each additional table nested. Overall width does not increase on In Line tables.



Lok Training Modesty Panels

Modesty Panels

Full table width panels provide user 9" of privacy and conceal electrical components and wire channels.



Laminate

- 3/4" thick
- 21 standard TFL or Tier 1 HPL with matching PVC edge
- additional graded in laminates, select from standard PVC edges
- supported with concealed hinge or support brackets
- 5/8" space provided between top edge of modesty panel and bottom surface of top to route electrical wires from top of table to under side

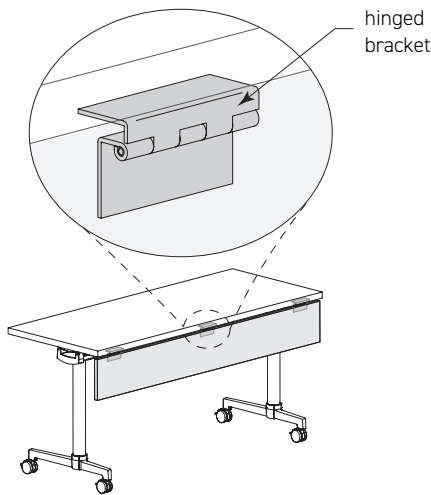
Frosted Acrylic

- 1/2" two sided frosted acrylic
- acrylic panels supported with hinge or bracket with powder-coated cover plate to conceal support hardware
- 5/8" space provided between top edge of modesty panel and bottom surface of top to route electrical wires from top of table to under side
- specify trim cap Aged Bronze, Arctic Silver, Gold, Pewter, Matte Black, Soft Bronze, Soft Nickel

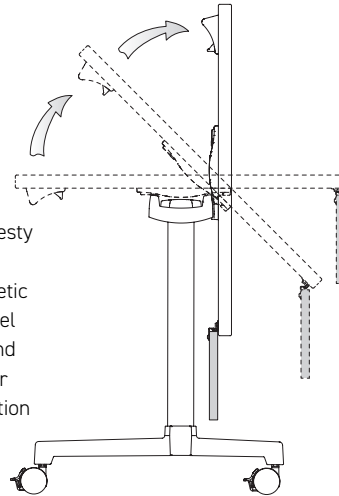
3 Attachment Methods

Acrylic and laminate modesty panels can be specified with 3 different attachment methods. Select from Hinged, Removable, or Fixed - see pages 70-72.

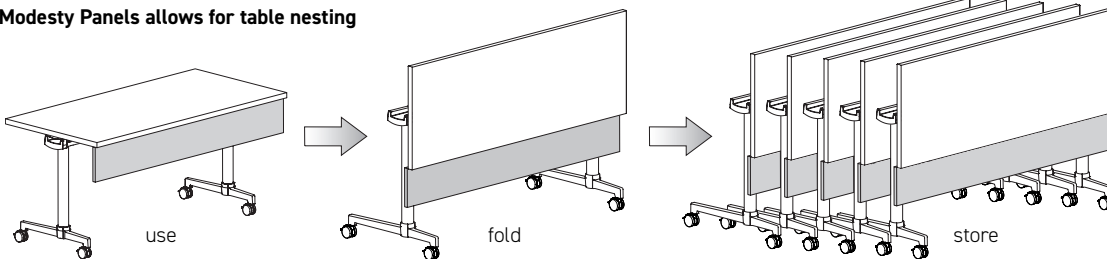
1 Hinged Modesty Panels with Tilt Table Option



When table is tilted, modesty panel folds into place for organized storage. Magnetic hinge holds modesty panel vertical in use position and automatically releases for self-storage in tilted position

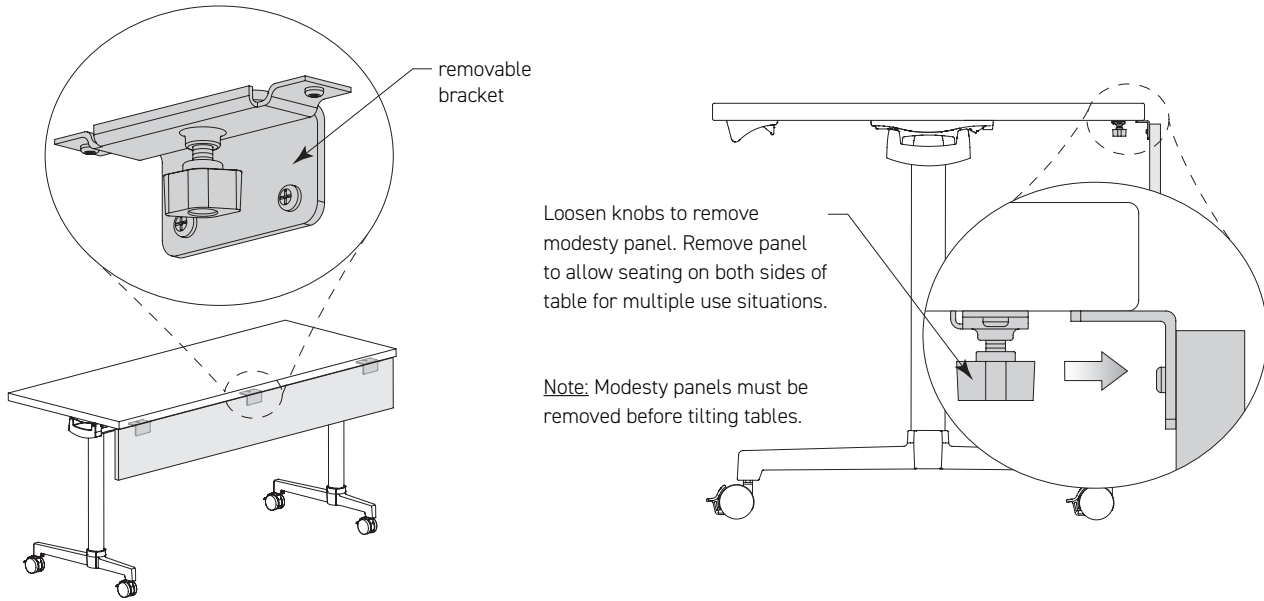


Hinged Modesty Panels allows for table nesting

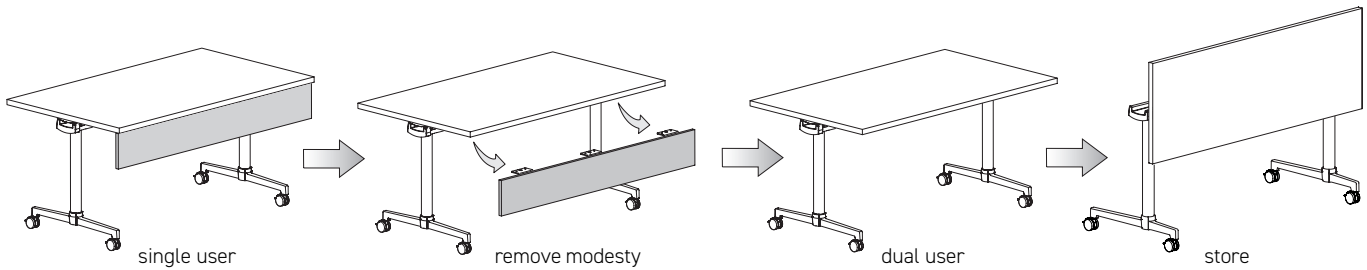


Lok Training Modesty Panel Attachment Methods

2 Removable Modesty Panels with Tilt Table Option

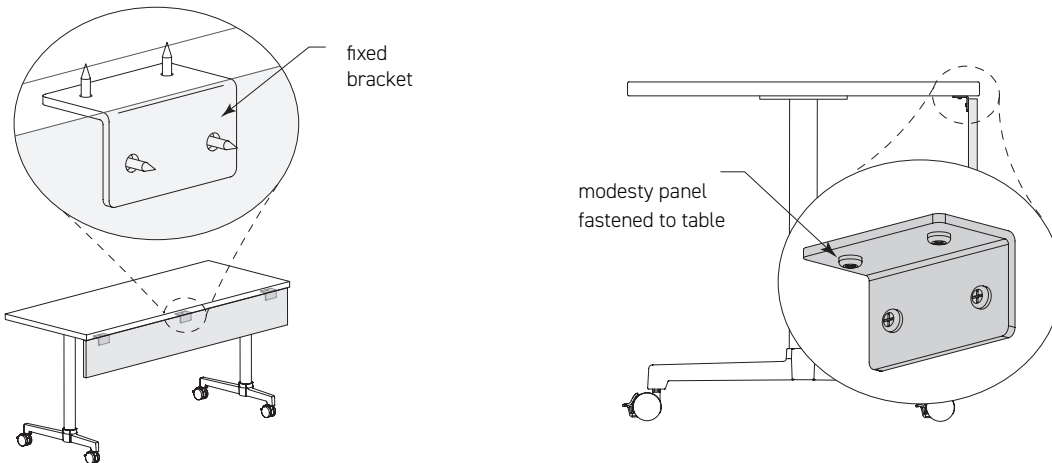


Removable modesty panels allows for single and dual users and storage



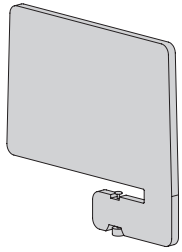
3 Fixed Modesty Panels

Fixed modesty panels are intended to always be attached and should not be specified in conjunction with tilt top tables.

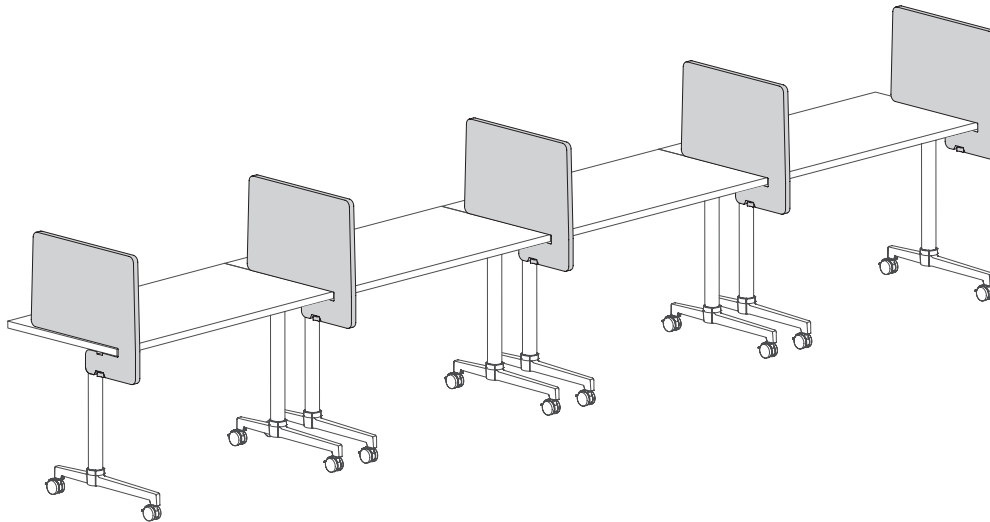
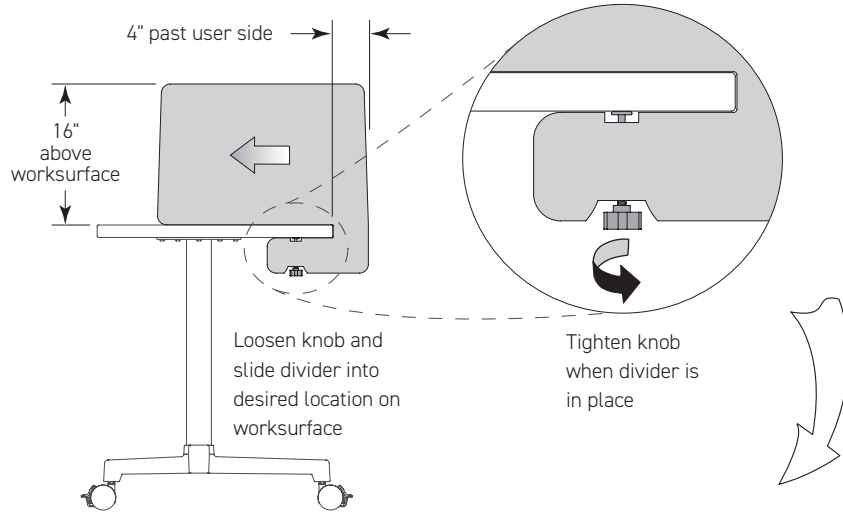


Lok Training Screens

Portable Slide-On Divider Screen



Portable divider panel divides space between seats and acoustic materials muffles sound in high traffic areas



Acoustic

- screen provides 16" above and 4" user side concealment
- 1" tackable acoustic 100% polyester screens in silver or ash grey
 - acoustic rating: 0.45 - 0.90 NRC
 - fire rating: ASTM-E84 / class A
 - colorfastness to light: AACC 16.3 option 3 color change @ 20AFU = 4.5
 - vacuum to remove dust, remove spills immediately using a clean damp cloth or with soap and water
 - carpet or fabric cleaner can be used for difficult spills - always test on an inconspicuous area first
- easily repositioned by user to divide space or as end of table privacy
- can be secured to any surface 1 1/2" - 1 1/2" thickness and 20" or greater depth
- knob on underside of table temporarily clamps screen in position for easy repositioning

HPL

- particle board core
- HPL laminate surfaces - JSI standards
- matching PVC edge

Markerboard

- plywood core
- white marker HPL surfaces
- white PVC edge

Magnetic Markerboard

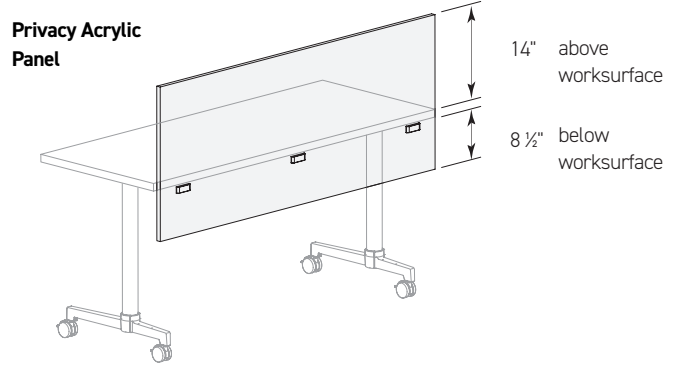
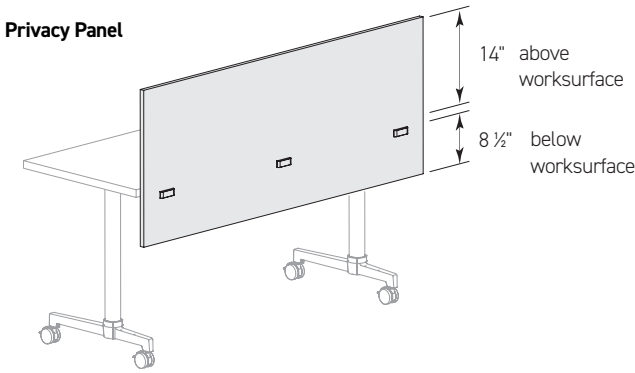
- plywood core
- white magnetic marker HPL surfaces
- white PVC edge



Lok Training Screens

Privacy Panel Screens

Full width panel to provide user privacy concealing electrical components, wire channels and equipment on table top. Screens provide 8 ½" below and 14" above top concealment



Acoustic

- ½" tackable acoustic 100% polyester screens in silver or ash grey
 - acoustic rating: 0.45 – 0.90 NRC
 - fire rating: ASTM-E84 / class A
 - colorfastness to light: AACC 16.3 option 3 color change @ 20AFU = 4.5
 - vacuum to remove dust, remove spills immediately using a clean damp cloth or with soap and water
 - carpet or fabric cleaner can be used for difficult spills – always test on an inconspicuous area first

Acrylic

- ½" two sided frosted acrylic

Screen Mounting

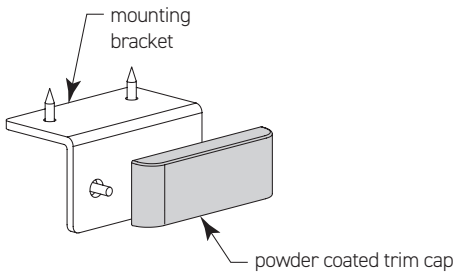
- screens supported by brackets with powder coated cover plates fastened to underside of top
- mounting brackets can be fastened out for routing cables to underside of top or to install monitor arm
- screens available for approach and end of table applications
- linking kits available for shared privacy screen application between two tables approach or end applications
- screens must be removed before tilting

Privacy Panel Colors

ASH	Ash Grey
SIL	Silver Grey

Trim Cap Finishes

ABZ	Aged Bronze
ASL	Arctic Silver
GLD	Gold
MBK	Matte Black
ASL	Arctic Silver
GLD	Gold
MBK	Matte Black
PEW	Pewter
SBZ	Soft Bronze
SNK	Soft Nickel

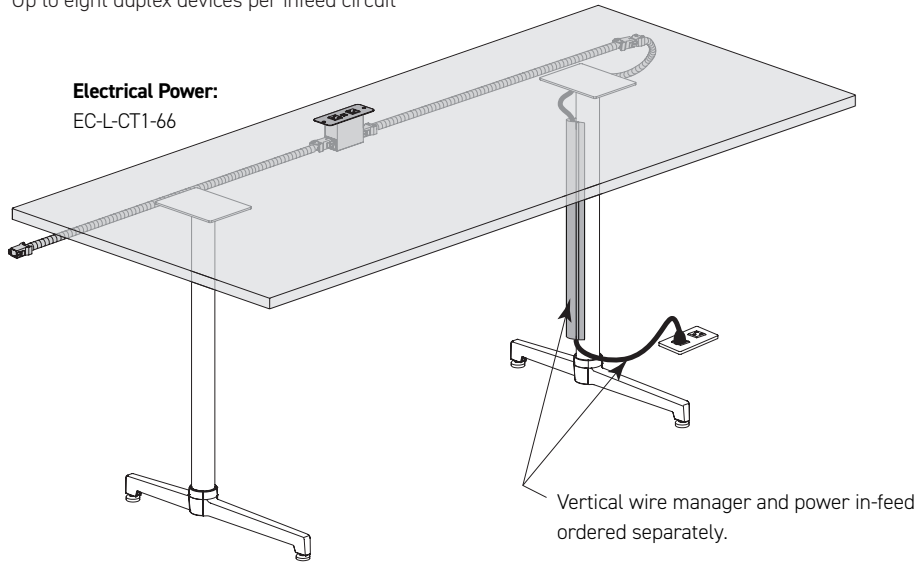


Lok Training Electrical LINK System

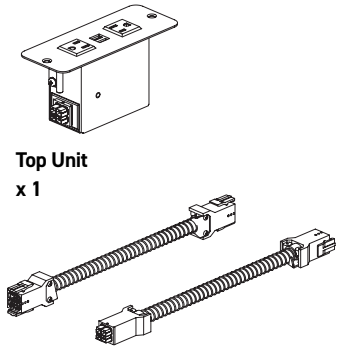
Overview

LINK has in-surface 110 power with USB A charging. Non-direction/non-sequential power cables plug together with red, green, white and black terminal connections. Configure with single or dual circuit units to maximize power flexibility. LINK provides three power infeed models; NEMA 15amp or 20amp three prong plug single circuit, quick disconnect or hardwire to support single or dual circuit applications.

- Two 110 power and dual USB type A charging
- Metal unit - black or white color selection
- Non-directional/non-sequential power
- Three building power connection infeed models to select from
- Up to eight duplex devices per infeed circuit



Components included when LINK Power selected:



Top Unit
x 1

Jumper x 2

- 1 - female to female
- 1 - female to male

Above quantity shows when C (Center) is specified.

When L (Left) / R (Right) are specified, the quantity is double.
Top Unit x 2 and Jumper x 3

Electrical

Power Packages are measured and located out from the center of the table. Shown on rectangular tops, these dimensions are the same from center regardless of table shape. Power in-feed is specified separately to support building electrical connection.

LINK Components:

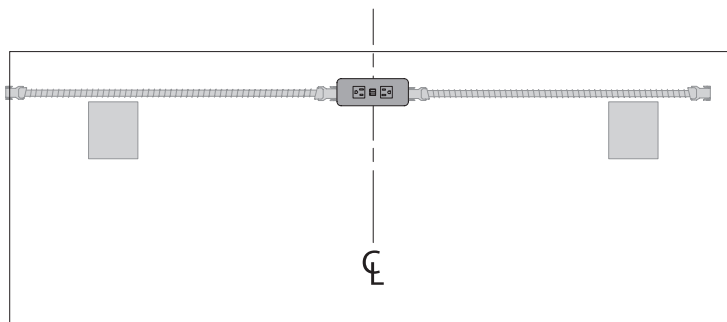
Ganged Tables	Power In-Feed	Power Centers	Jumpers
---------------	---------------	---------------	---------

48" - 96" Tables - CT1

8	1	8	16
7	1	7	14
6	1	6	12
5	1	5	10
4	1	4	8
3	1	3	6
2	1	2	4
1	1	1	2

66" - 96" Tables - LRT2

4	1	8	12
3	1	6	9
2	1	4	6
1	1	2	3



L-CT1-C0 - Single Power in Center Location on top cutout locations



Jumper connection at edge of tables.



CORPORATE OFFICE
225 CLAY STREET
JASPER, INDIANA 47546



800.457.4511 **TOLL FREE**
812.482.3204 **OFFICE**
812.482.1548 **FAX**



JSIFURNITURE.COM



CONTACT JSI

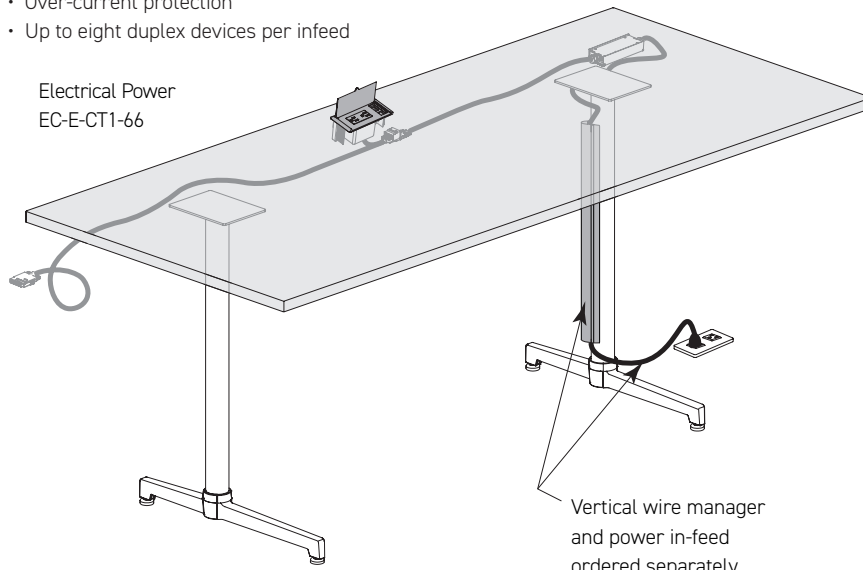
Lok Training Electrical ECONO System

Overview

ECONO electrical system allows up to eight duplex power modules to be daisy-chained together (non-direction/non-sequential) and powered from a single power in-feed. The number of power modules connected is limited to the maximum allowed under UL Standard 962. If too many are connected, the control module disconnects all power to the system and signals red. Power is restored to the system after the extra power module(s) are disconnected, which is indicated by a green light. Econo will not work with GFI or GFCI - Ground Fault Circuit Interrupter Wall or Floor Outlets.

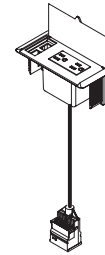
- Two 110 power and two data openings
- Single circuit power with 12 amp total system
- Plastic unit with retractable lid - black or grey color selection
- Over-current protection
- Up to eight duplex devices per infeed

Electrical Power
EC-E-CT1-66



Vertical wire manager and power in-feed ordered separately.

Components included when ECONO Power selected:



Top Unit x 1



Jumper x 1

Above quantity shows when C (Center) is specified.

When L (Left) / R (Right) are specified, the quantity is double. Top Unit x 2 and Jumper x 2

Electrical

Power is measured and located out from the center of the table. Shown on rectangular tops, these dimensions are the same from center regardless of table shape. Power in-feed is specified separately to support building electrical connection.

ECONO Components:

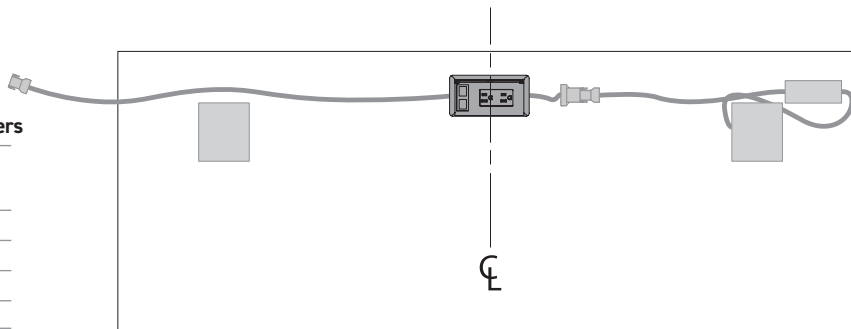
Ganged Tables	Power In-Feed	Power Centers	Jumpers
---------------	---------------	---------------	---------

48" - 96" Tables - CT1

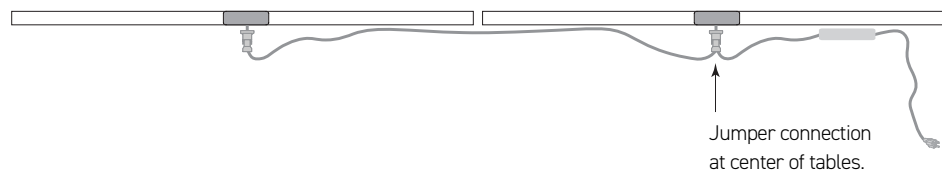
8	1	8	8
7	1	7	7
6	1	6	6
5	1	5	5
4	1	4	4
3	1	3	3
2	1	2	2
1	1	1	1

66" - 96" Tables - LRT2

4	1	8	8
3	1	6	6
2	1	4	4
1	1	2	2



E-CT1-CO - Single Power in Center Location on top cutout locations



Jumper connection at center of tables.

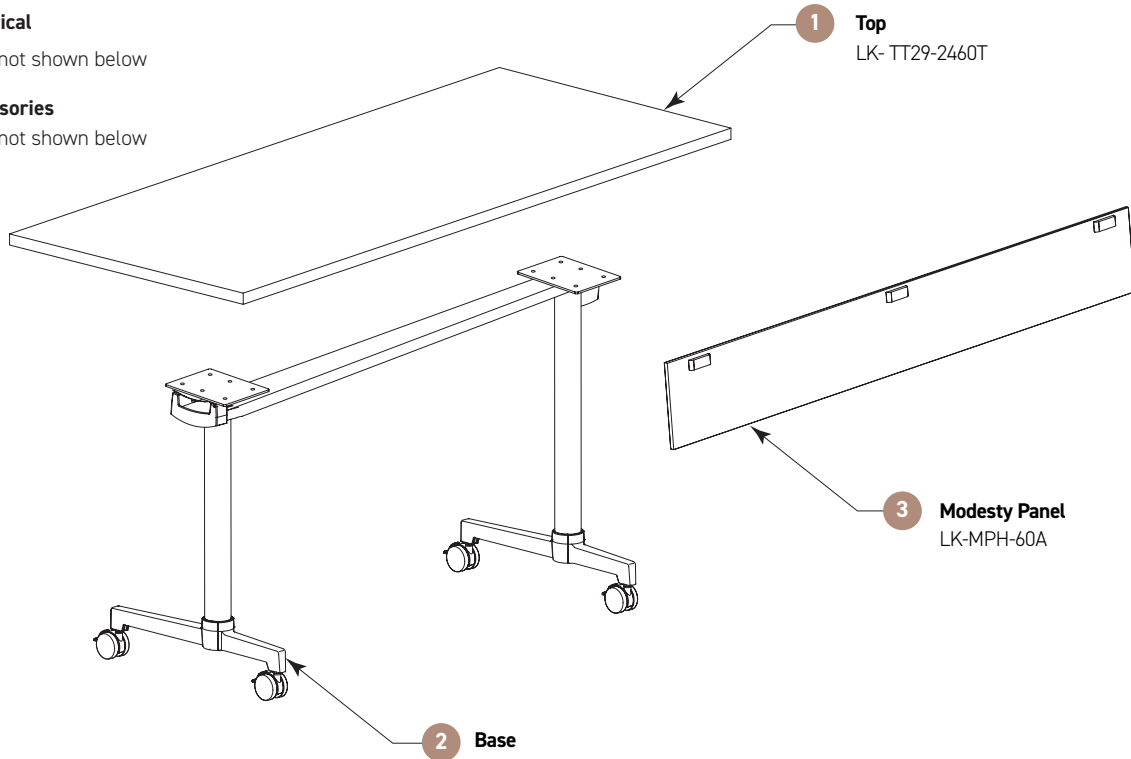


Lok Training Cantilever Tilt Specifying

Overview

Lok Training was created with the simple a la carte, select of top, base, electrical, and screens. Pages with tops list all the necessary details to determine your budget with page references to guide you to the detail selections, including all the available options, colors and finishes. Build it your way in 5 easy steps!

- 1 Specify Top**
 - a. power cut out (optional)
 - b. link (optional)
- 2 Specify Base**
- 3 Specify Modesty Panel**
 - a. (optional)
- 4 Specify Electrical**
 - a. (optional) - not shown below
- 5 Specify Accessories**
 - a. (optional) - not shown below



Model Number Breakdown

LK-CBT-TT29-2460

1 Top

LK-TT29-2460T					
LK	TT	29	2460	T	
Lok Designator	Top Shape - Rectangular	Table Height - 29"	Top Size - 24" x 60"	Top Material - Laminate	

2 Base

LK-CBT-TT29-2460					
LK	CBT	TT	29	2460	
Lok Designator	Base Type - Cantilever T-Base Tilt (with casters option)	29" Table Height	Table Height - 29"	Top Size - 24" x 60"	

3 Modesty Panel

LK-MPH-60A					
LK	MP	H	60	A	
Lok Designator	Panel Type - Modesty	Function - Hinged	Panel Size - 60"	Panel Material - Frosted Acrylic	

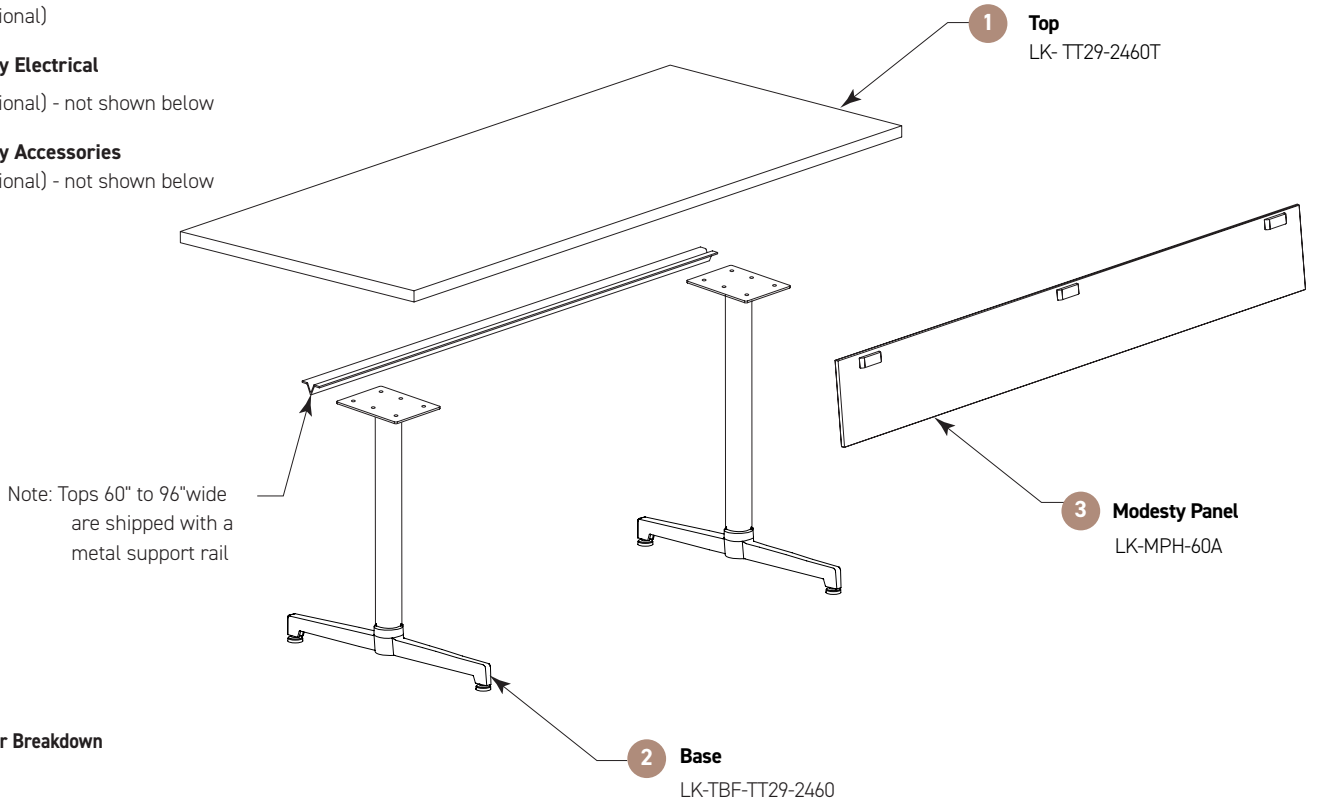


Lok Training Fixed T Specifying

Overview

Lok Training table offer the many configurations and room layouts to support today's diverse learning environments. When planning a space, select the size and shape tops that best fit the space you are planning. Then select the base type that supports the function the space requires, static setting with T-Base and glides, additional knee space with cantilever T-base, easy reconfiguration by adding casters, compact storage with offset or inline tilt/next, special height considerations with pin height adjustment.

- 1 Specify Top**
 - a. power cut out (optional)
 - b. link (optional)
- 2 Specify Base**
- 3 Specify Modesty Panel**
 - a. (optional)
- 4 Specify Electrical**
 - a. (optional) - not shown below
- 5 Specify Accessories**
 - a. (optional) - not shown below



Model Number Breakdown

1 Top

LK-TT29-2460T					
LK	TT	29	2460	T	
Lok Designator	Top Shape - Rectangular	Table Height - 29"	Top Size - 24" x 60"	Top Material - Laminate	

2 Base

LK-TBF-TT29-2460						
LK	TBF	TT	29	2460		
Lok Designator	Base Type - Fixed T-Base (standard with glides)	29" Table Height	Table Height - 29"	Top Size - 24" x 60"		

3 Modesty Panel

LK-MPH-60A					
LK	MP	H	60	A	
Lok Designator	Panel Type - Modesty	Function - Hinged	Panel Size - 60"	Panel Material - Frosted Acrylic	

