

Flux General Information

Laminate Products

Flux Laminate features TFL (thermally fused laminate) chassis, lockers and components. Main worksurfaces are available in a HPL (high pressure laminate).

Eased edges of the worksurface are impact resistant (PVC) on HPL tops. The laminate is offered in wood grain patterns and solid colors. The wood grain laminate features an embossed grain to hide finger prints and light scratches. The solid laminate is smooth to the touch with a semi-matte finish. All Flux Laminate products are indoor-air certified by GreenGuard.

Laminate Worksurface Construction

Worksurfaces have a 3-ply balanced construction. Tops are 1-3/16" thick with coordinating PVC edges. Primary worksurfaces feature 3mm PVC edges on the approach and user sides. Main worksurfaces are offered in HPL. Desk, bridge, return, and primary height credenza worksurfaces are profiled with a 3mm PVC edge on the user side only. Remaining edges are banded with 1mm PVC which creates a seamless appearance when units are mated end-to-end or back-to-back.

HPL Features on Main Worksurfaces*

- fusion of multiple layers create a higher impact resistant surface
- tops are 3-ply balanced construction
- matched to the TFL wood grain and solid patterns

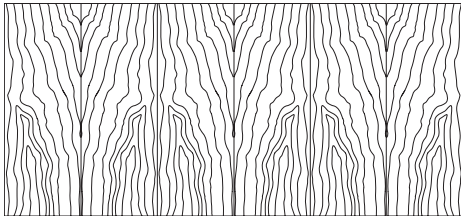
Case Construction

Panels for chassis consist of a 3/8" thick substrate with TFL surfaces and PVC bands on exposed edges. Pedestal and cabinets are constructed with dowels reinforced with screw and interior plates for increased stability. Leveling glides are set into metal housing corner plate to allow for maximum leveling.

*Main Worksurfaces include tops on desks, primary height credenzas, returns, bridges and transaction tops. Refer to pricing pages to confirm availability.

Veneer Products

Exterior wood surfaces are made from the finest selected veneers to achieve clarity and consistency in the Flux Veneer product line. To attain a pleasing, symmetrical pattern, all cherry, maple, black oak and walnut veneers in Flux Veneer are book-matched. All exterior solid lumber is matched to coordinate with the veneer.

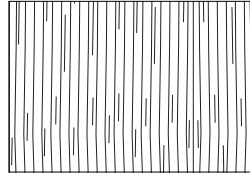


Veneer Book-Matched Example

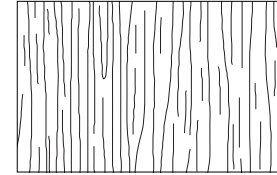
Alternating pieces of veneer are flipped over so they face each other like the pages within a book.

Flux Veneer is available in flat cut cherry, maple, black oak and walnut veneer. A wide range of wood stains have been formulated to enhance the beauty of the veneer.

Double Cut veneer is another choice on Flux Veneer product. This veneer is a processed product that has at least two cuttings to create the final veneers. These cuts of veneer strands are dyed and layered into a block to create a wide variety of patterns, from a very tight grain pattern to an exotic figure grain pattern. Linear grain patterns can be run vertical or horizontal. Please specify the grain direction.



Double Cut Veneer – Tight Grain



Double Cut Veneer – Natural Grain

Veneer Worksurface Construction

Tops are 3-ply balanced construction, 1-3/16" thick with matching 1.5 mm wood edges. Surfaces are available in wood veneer or high pressure laminate. No additional charge for using our coordinating high pressure laminate with a veneer grain pattern with finish wood edges.

Protective Top Coat

DuraTex™ offers exceptional hardness along with abrasion and impact resistance. It has been formulated to eliminate hazardous and harmful gases that are normally associated with wood finishes.

DuraTex™ Features

- Safety - Significantly reduces hazardous formaldehyde emissions which help improve the quality of the of the indoor air we breathe.
- Quality - Developed to be tough and durable with special attention to appearance. The DuraTex™ finish preserves the natural beauty of wood.
- Durability - Designed to meet a wide range of demanding performance and environmental standards to withstand even the highest wear and tear.

Finish Sheen

All veneer finishes are standard in 35-sheen, with the exception of Raven. Raven is only offered in 15-sheen. All other finishes can have their sheen modified with a 15% upcharge added to the list price of each item.

Custom/Special Finishes

JSI, upon request, will accommodate special finishes. A written request is required to proceed with custom finish orders. A sample reference is required for first-time matches and must be included with the written request.

There is a one-time charge of \$412 list per order for any non-standard wood finish. Orders will be entered noting the special finish. A sample match will be provided to the customer. Written approval is needed before the finish process can be started. Delays in approval may have an impact on lead times.

Every effort will be made to create the requested match; however, an acceptable match may not be possible because of natural variations of wood. These natural variations can also cause minor differences in the final finish product.

Use standard pricing and option pricing for each line item with a special finish, unless additional modifications have been specified. For items available in both Essential and Artisan veneers, apply the Essentials pricing.



CORPORATE OFFICE
225 CLAY STREET
JASPER, INDIANA 47546



800.457.4511 **TOLL FREE**
812.482.3204 **OFFICE**
812.482.1548 **FAX**



JSIFURNITURE.COM



CONTACT JSI

Flux General Information

Flux Standard Laminate Offering

The chart below lists the laminates available on Flux.

Laminate Options

TFL - HPL Wood Grain Pattern Laminates

BEL Belair	MIN Mineral
BRK Brickdust	MCH Mocha
CSK Cask	OBK Outback
CLY Clay	PIL Pilsner
EGR Egret	PIN Pinnacle Walnut
FAW Fawn	UMB Umber
FLN Flint	VAL Valley
FLO Florence Walnut	WLH Walnut Heights
LOF Loft	WEA Weathered Ash
MES Mesa	

TFL - HPL Solid Laminates

ALB Alabaster	SHD Shadow
BLK Black	SLG Slate Grey
BBL Bridal Blanco	ZEN Zen Grey
DWH Designer White	

Flux Color Scheme – Accent Colors

Metal Finish Standard

ABZ Aged Bronze	MBK Matte Black
ASL Arctic Silver	PEW Pewter
BWH Bright White	SBZ Soft Bronze
GLD Gold	SNK Soft Nickel

Metal Finish Upcharge

ANL Antique Linen	MWH Midnight Whisper
BLJ Blue Jean	MUS Mustard Seed
CAP Candy Apple	OLV Olive Fog
CAB Cashmere Beige	POW Porcelain White
CDU Copper Dust	SPA Space Cadet
DST Desert Stone	SPP Sparkling Peach
DUP Dusty Petal	SPR Spiced Raisin
EBL Electric Blue	SMK Stormy Sky
EMC Emerald City	TFB Toffee Brown
EVP Evergreen Pine	VMA Vintage Mahogany
GOH Golden Honey	

Flux Standard Veneer Finish Offering

The charts below list the veneer stains and paints available on Flux.

Finish/Stain Colors

ESS Essentials Veneer Collection

BRK Brickdust	MIN Mineral
CSK Cask	MCH Mocha
CLY Clay	OBK Outback
FAW Fawn	PIL Pilsner
FLX Flax	SIE Sienna
FLN Flint	TRF Truffle
LOF Loft	UMB Umber
MES Mesa	VAL Valley

ART Artisan Veneer Collection

BAR Barrel	RAV Raven
BUF Buff	RYE Rye
CND Cinder	SAB Sable
EGR Egret	SAD Saddle

PNT Paint Color

BKD Backdrop	NWH Nonchalant White
BFX Black Fox	SVP Silverplate
BWH Bright White	SKS Skyline Steel
CHT Chatroom	STM Storm
GAL Gale Force	TRC Tricorn Black
GRV Greek Villa	UKH Universal Khaki

Contact Customer Service for any additional veneer species.
Samples available upon request.

Veneer Chassis with Laminate Tops

Worksurface only, no additional upcharge if Flux's coordinating wood grain laminate is specified. Contact Customer Service for any other laminate request. Listed below are finishes with coordinating wood grain HPL laminates.

ESS Essentials Veneer

BRK Brickdust	MIN Mineral
CSK Cask	MCH Mocha
CLY Clay	OBK Outback
FAW Fawn	PIL Pilsner
FLN Flint	UMB Umber
LOF Loft	VAL Valley
MES Mesa	

ART Artisan Veneer

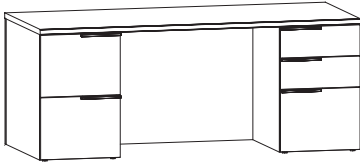
EGR Egret



Flux General Information

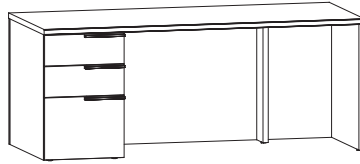
Desk Pedestal Configuration

The following are standard configurations for Flux pedestal desks.



Double Pedestal Desk

Left side: file/file
Right side: box/box/file



Single Pedestal Desk

box/box/file

The 18"w and 15-5/8"w pedestal configuration can be switched from box/box/file to file/file or from file/file to box/box/file. This configuration change applies to desks, open corner credenzas and kneespace credenzas at primary height without legs. This must be specified on the order, with an upcharge per pedestal.

Drawer Information

Flux is standard with a unidirectional V-fold drawer box interior. The box is a durable, miter-fold drawer structure which is glued and doweled. The 1/2"-thick drawer sides are wrapped in a high-grade maple vinyl, with an attached front. The drawer front is attached to the four-sided box.

Wood Drawer Boxes

Optional four corner dovetailed wood drawers are available. Specify and add 10% per unit.

Drawer Suspension

High quality black drawer suspension carries a lifetime warranty. File and box drawers have 100% full extension with over travel. Slides feature steel ball bearings for longer wear and positive, cushioned in/out stops.

Filing Hardware

All file drawers are constructed with a custom design for hanging folders; see filing diagram.

Locking

All desks, credenzas, returns and mobile pedestals feature pedestal front locking to provide maximum security and flexibility in configuration. Units are shipped randomly keyed as standard. Key-alike units are available upon request at no additional charge. Removable cores for in-field re-keying are standard.

Lock face color is controlled by the metal color of the unit.

Blue Jean, Candy Apple, Copper Dust, Desert Stone, Electric Blue, Evergreen Pine, Midnight Whisper, Oliver Fog, Space Cadet, Spiced Raisin, Toffee Brown or Vintage Mahogany = Black Lock Face

Antique Linen, Bright White, Cashmere Beige, Dusty Petal, Emerald City, Golden Honey, Mustard Seed, Porcelain White, Sparkling Peach or Stormy White = Silver Lock Face

Interior compartment

Interior compartment sizes and specification matrix on see Filing Drawer Details.

Special Construction

Flux has an extensive product offering to create many types of configurations. Contact Customer Service if you are having trouble with finding the right units to complete the desired configuration. Requests for special construction need to be approved by JSI engineering.



CORPORATE OFFICE

225 CLAY STREET
JASPER, INDIANA 47546



800.457.4511 **TOLL FREE**

812.482.3204 **OFFICE**

812.482.1548 **FAX**



JSIFURNITURE.COM



CONTACT JSI

Flux General Information

Filing Drawer Details

Desk and credenza pedestal filing drawers come with hardware to accommodate letter or legal files. File orientation options vary by pedestal size, as shown below. Legal and letter files may be arranged side-to-side in any pedestal, or front-to-back in larger pedestals. Select only one orientation for each filing drawer. Reference the following plan views for available options.

File Orientation Variations (top view)

Labels in diagrams: desk, pedestal, interior box, front pull.

- A** Legal - Side-to-Side
- B** Letter - Side-to-Side
- C** Letter - Front-to-Back
- D** Legal - Front-to-Back

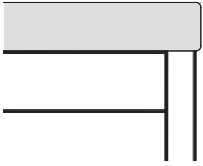
Overall Desk - 84" w through 72" w Desk Pedestal - 36" d x 18" w Interior Box - 22" d x 15 7/16" w	Overall Desk - 84" w through 72" w Desk Pedestal - 30" d x 18" w Interior Box - 22" d x 15 7/16" w	Overall Desk - 84" w through 72" w Desk Pedestal - 24" d x 18" w Interior Box - 16" d x 15 7/16" w
--	--	--

Overall Desk - 66" w through 60" w Desk Pedestal - 36" d x 15 - 5/8" w Interior Box - 22" d x 13" w	Overall Desk - 66" w through 60" w Desk Pedestal - 30" d x 15 - 5/8" w Interior Box - 22" d x 13" w	Overall Desk - 66" w through 60" w Desk Pedestal - 24" d x 15 - 5/8" w Interior Box - 16" d x 13" w
---	---	---

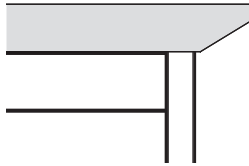
Overall Credenza - 72" w or 36" w Credenza Pedestal - 22" d x 36" w Interior Box - 16" d x 33 - 7/16" w	Overall Credenza - 96" w, 90" w, 84" w, 78" w, 66" w, 60" w, 54" w, 48" w, 42" w or 30" w Credenza Pedestal - 22" d x 30" w Interior Box - 16" d x 27 - 7/16" w	Overall Credenza - 96" w, 90" w, 84" w, 78" w or 72" w Credenza Pedestal - 22" d x 18" w Interior Box - 16" d x 15 - 7/16" w	Overall Credenza - 66" w, 60" w, 54" w, 48" w or 42" w Credenza Pedestal - 22" d x 15 - 5/8" w Interior Box - 16" d x 13" w
---	---	--	---

Flux General Information

Top Edge Profiles



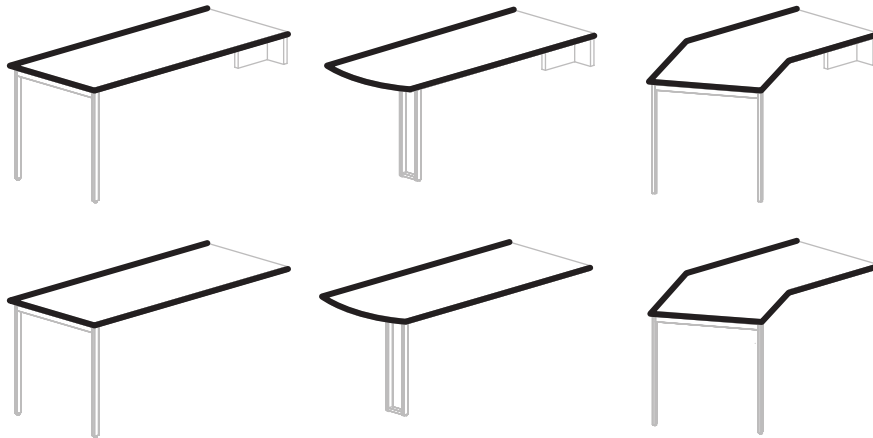
Eased Edge
Standard on worksurface tops



Reverse Bevel Edge
Optional on selected worksurfaces (see below)

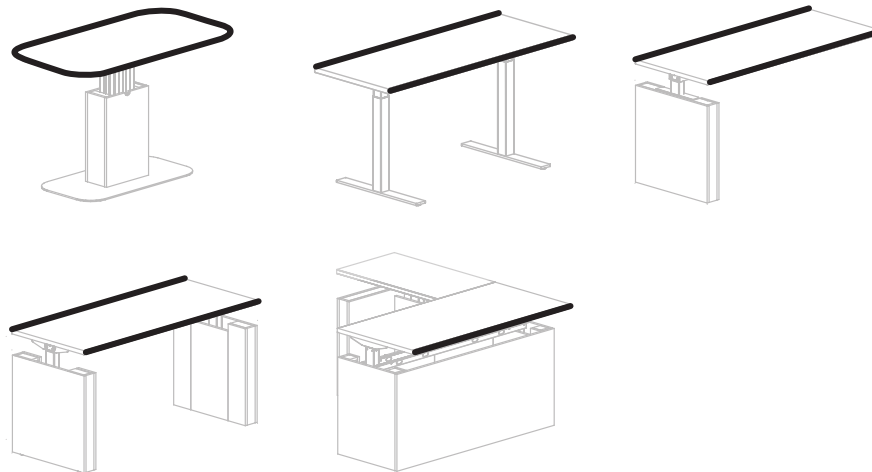
Reverse Bevel Edge Location

Peninsula and Run-off Desks
The reverse bevel edge appears on three sides of the worksurface top, as shown to the right, and increases the depth of the top by 2 ½”.



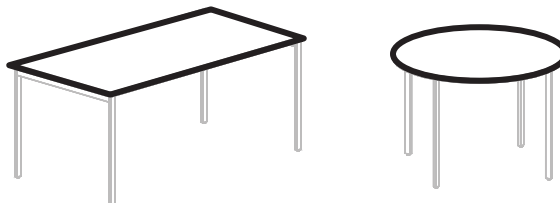
Adjustable Height Desks

The reverse bevel edge location varies according to its worksurface. When it appears on two sides, the depth of the worksurface increases by 2 ½”. When the bevel appears on one side only, it increases the depth by 1 ½”. Dimension changes only happen when there is no overhang.



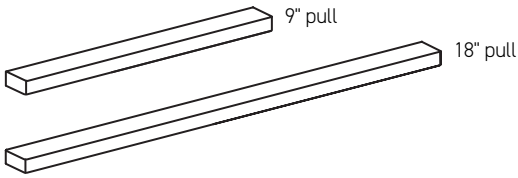
Tables

The reverse bevel edge location varies, as shown to the right, and increases the depth of the top by 2 ½” on the rectangle table.



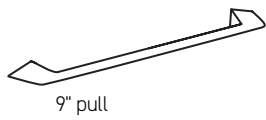
Flux General Information

Pulls and Pull Orientation



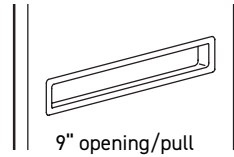
Ledge Pull

- Ledge pull is considered part of the aesthetic of Flux and has unique orientation on the product. See chart below for these locations.
- Ledge pull length is determined by drawer/door width as follows:
 9" pull - drawers/doors 18" wide or less
 18" pull - drawers/doors wider than 18"



Prism Pull

- Prism pull is mounted in the center of drawers on all drawer and lower doors widths. Upper pulls on worksurface towers or wardrobes are mounted on the right door only.



Mail Slot Pull (Lockers Only)

- In addition to Ledge and Prism pulls, mail slot is available on lockers only

Metal Finish Standard

- ABZ Aged Bronze
- ASL Arctic Silver
- BWH Bright White
- GLD Gold

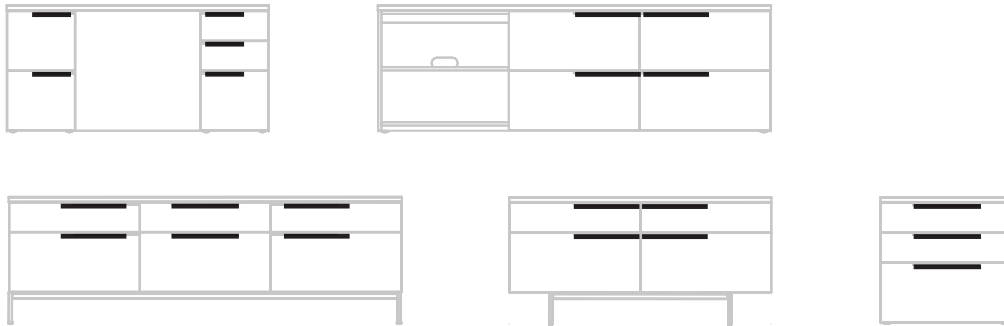
- MBK Matte Black
- PEW Pewter
- SBZ Soft Bronze
- SNK Soft Nickel

Metal Finish Upcharge

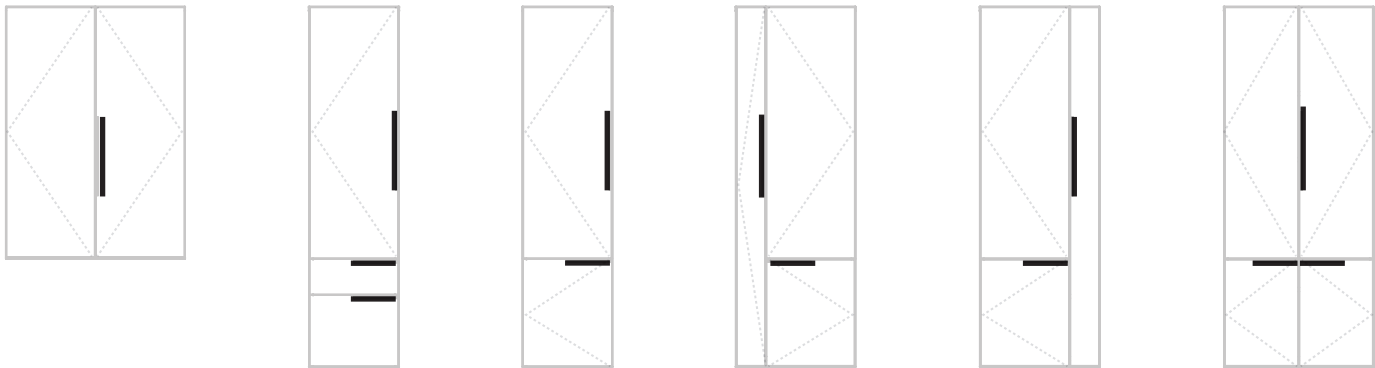
- ANL Antique Linen
- BLJ Blue Jean
- CAP Candy Apple
- CAB Cashmere Beige
- CDU Copper Dust
- DST Desert Stone
- DUP Dusty Petal
- EBL Electric Blue
- EMC Emerald City
- EVP Evergreen Pine
- GOH Golden Honey

- MWH Midnight Whisper
- MUS Mustard Seed
- OLV Olive Fog
- POW Porcelain White
- SPA Space Cadet
- SPP Sparkling Peach
- SPR Spiced Raisin
- SMK Stormy Sky
- TFB Toffee Brown
- VMA Vintage Mahogany

Lower Drawer/Door Ledge Pull Location

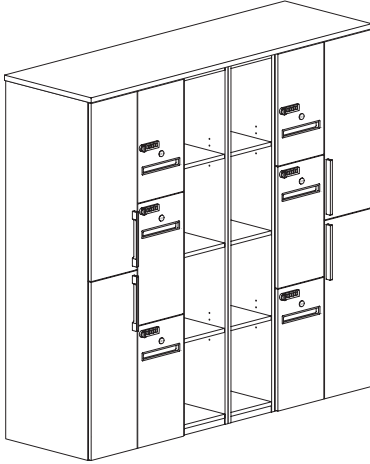


Tower/Wardrobe Ledge Pull Location



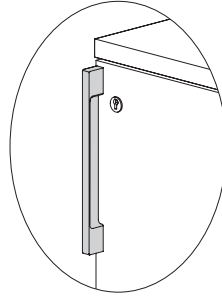
Flux General Information

Locker Pull and Lock Options

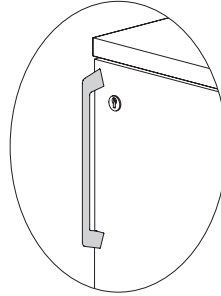


Lockers are available with a variety of pull and lock combinations.

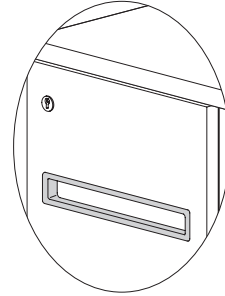
Pulls



Ledge

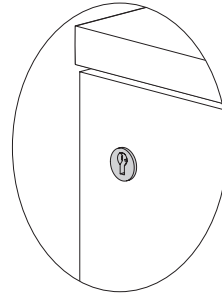


Prism

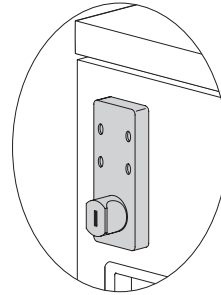


Mail Slot

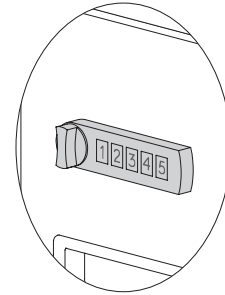
Locks



Standard
Standard lock and key. Black or silver finish. Ordered separately and field installed. Specify finish and number range.; upcharge per lock.

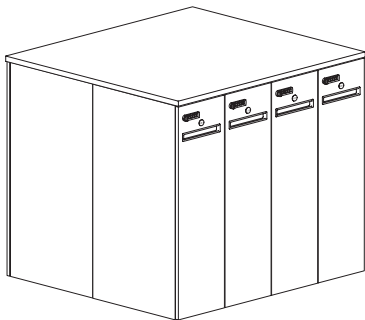


Keyless Radial
Temporary 4-digit code gets programmed by each user interaction. Built-in finger grip does not require additional pull. Prism and Ledge pulls not available. Satin Nickel finish. Master Key available; upcharge per lock.

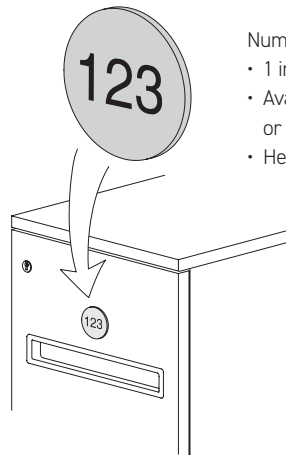


Digital Keypad
Temporary 4-digit code gets programmed by each user interaction (Locker Mode). May be reset to "Station Mode" for repeated use with a single code. Black or Silver finish. Master Key Fob available; upcharge per lock.

Locker Number Plates



Locker number plates are available for identification. Adhesive backed for field installation. Ordered separately. Specify finish and number range



- Number Plate**
- 1 inch diameter aluminum
 - Available in silver with black numbers or black with silver numbers
 - Helvetica font, 1-3 characters



CORPORATE OFFICE
225 CLAY STREET
JASPER, INDIANA 47546



800.457.4511 **TOLL FREE**
812.482.3204 **OFFICE**
812.482.1548 **FAX**



JSIFURNITURE.COM



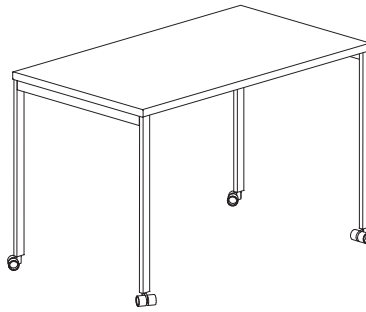
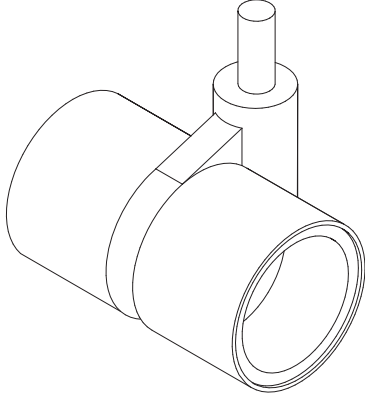
CONTACT JSI

Flux General Information

Caster Option

Flux offers a dual wheel caster option with freestanding and four-star base tables, in place of standard feet.

Casters are gray when paired with Arctic Silver or Soft Nickel metal legs, or black with Aged Bronze, Gold, Matte Black, Soft Bronze or Pewter metal legs



Freestanding tables with legs

Available with 2 locking and 2 non-locking casters



4-star base tables

Available with 4 locking casters



CORPORATE OFFICE
225 CLAY STREET
JASPER, INDIANA 47546



800.457.4511 **TOLL FREE**
812.482.3204 **OFFICE**
812.482.1548 **FAX**



JSIFURNITURE.COM



CONTACT JSI

Flux General Information

Modesty Panel Options

Flux offers optional modesty panels for table desks, adjustable height desks, returns, bridges and credenzas. Reference the diagrams below for the modesty panel location on each unit.

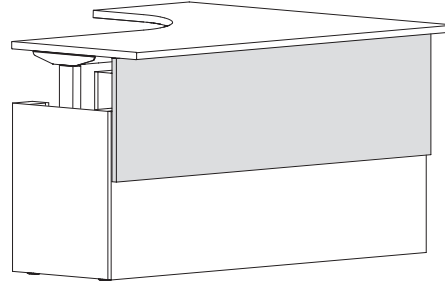
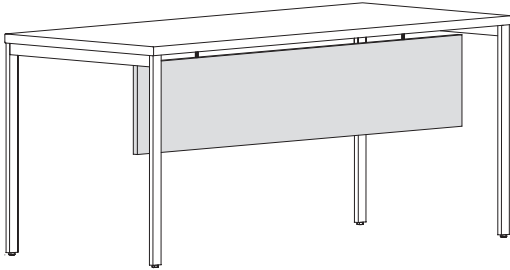
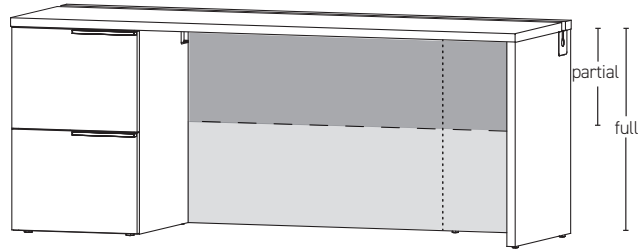
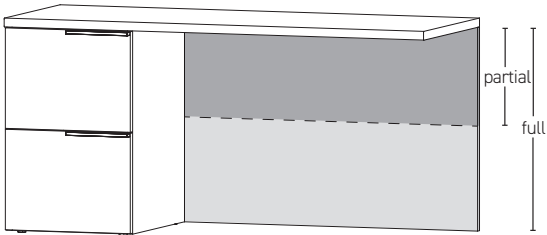


Table Desks

12" suspended modesty panels are available on table desks, peninsula desks, and run-off desks.

Adjustable Height Desks

Modesty panels are available on adjustable height desk shells. The modesty panel mounts in front of the desk and moves with the top.



Returns and Bridges

Partial or full modesty panels are available on return and bridge units.

Credenzas

Partial, full or removable modesty panels are available on credenzas.



CORPORATE OFFICE
225 CLAY STREET
JASPER, INDIANA 47546



800.457.4511 **TOLL FREE**
812.482.3204 **OFFICE**
812.482.1548 **FAX**



JSIFURNITURE.COM

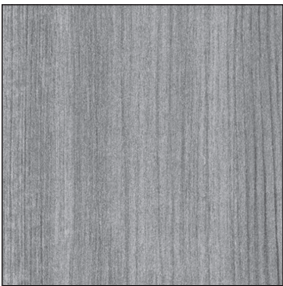
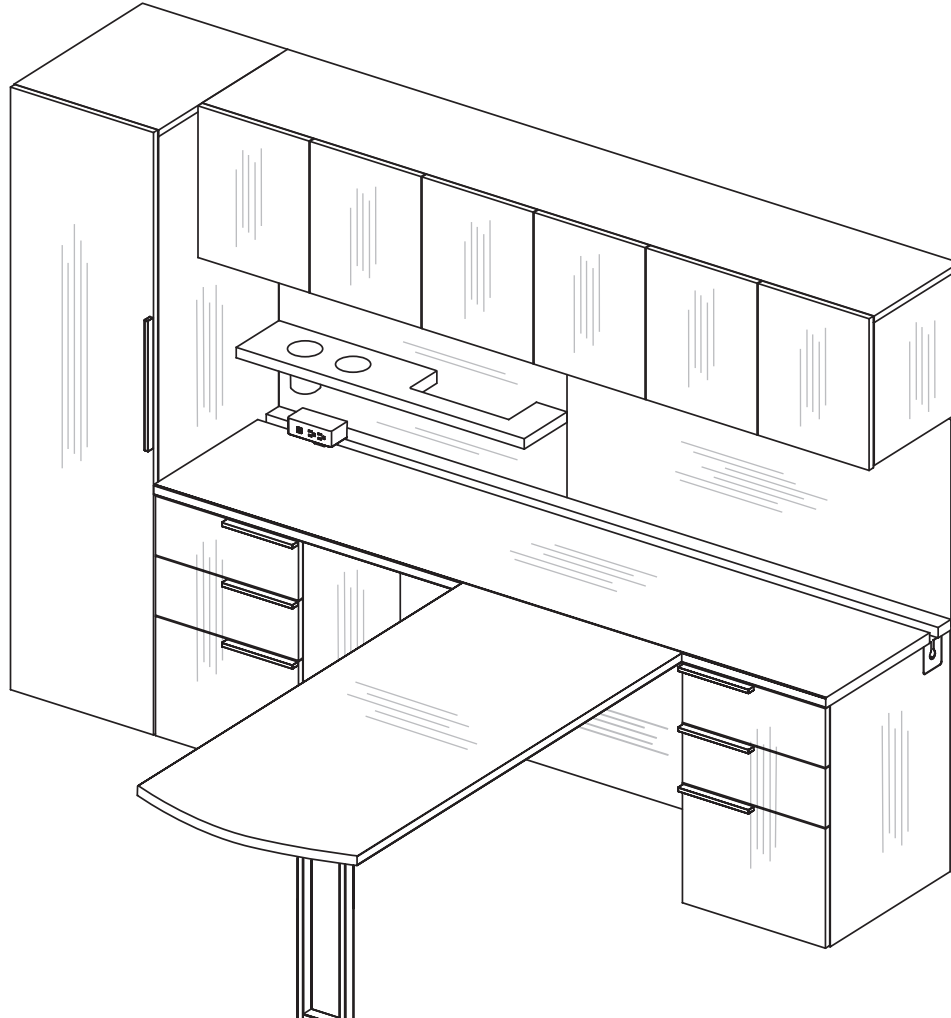


CONTACT JSI

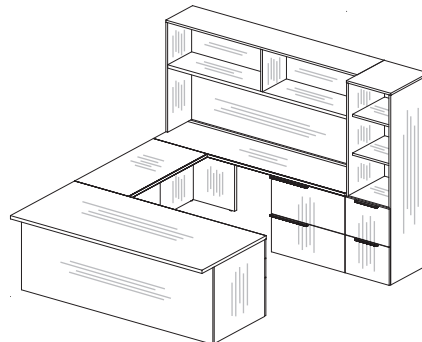
Flux Applied Materials

Laminate Grain Direction

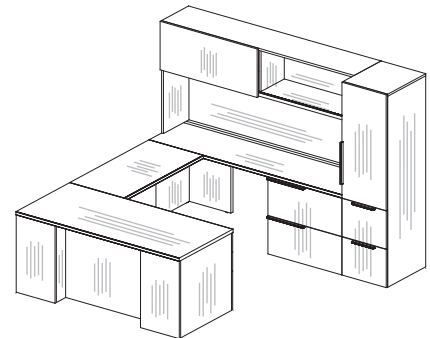
Laminate grain runs vertically as standard on all vertical surfaces except back panels, wall panels, kneespace access panels, and desk fronts wider than 60", which run horizontal. Worksurfaces run long grain except for bridges, returns, and peninsula and run-off tops 60" and shorter, which run short grain. Below are typical examples of laminate grain direction.



Laminate Grain
Laminate grain direction varies according to its casegood surface. Refer to the diagrams on this page for examples of standard direction.



Flush Front Desk U Unit with Open Storage



Breakfront Desk U Unit with Closed Storage



CORPORATE OFFICE
225 CLAY STREET
JASPER, INDIANA 47546



800.457.4511 **TOLL FREE**
812.482.3204 **OFFICE**
812.482.1548 **FAX**



JSIFURNITURE.COM

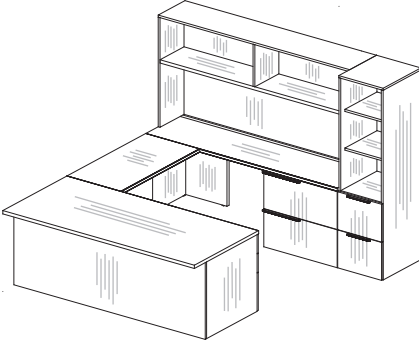


CONTACT JSI

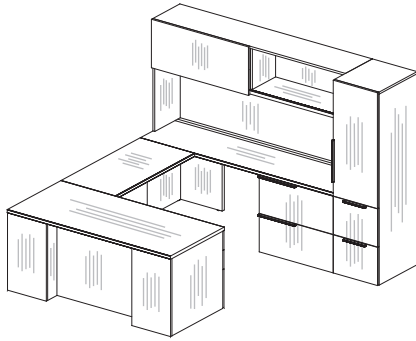
Flux Applied Materials

Vertical Veneer Grain Direction

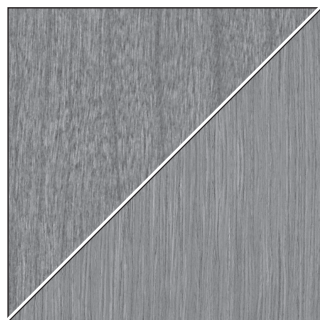
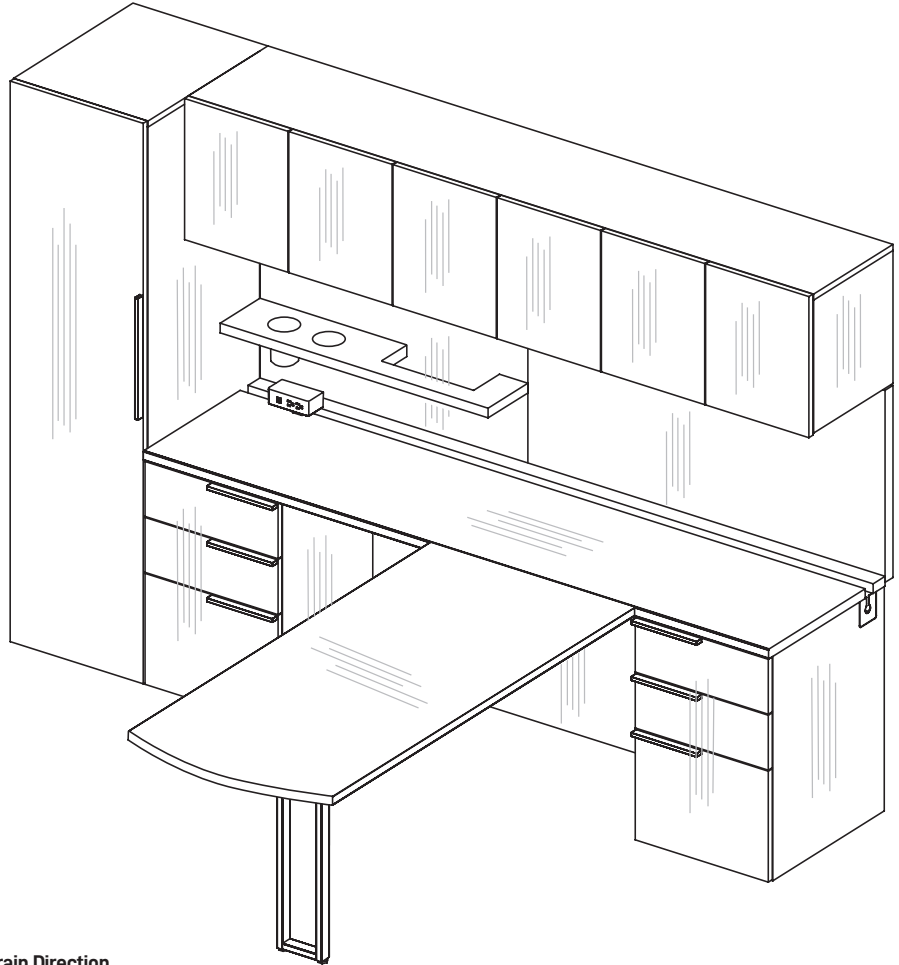
All Flux veneer finishes can run vertical on all vertical surfaces. Worksurfaces run long grain except for bridges, returns, peninsula and run-off tops, which run short grain. Below are typical examples of vertical veneer grain direction.



Flush Front Desk U Unit with Open Storage



Breakfront Desk U Unit with Closed Storage



Vertical Grain Direction

Most veneer finishes run vertical as standard. Some linear grain patterns have an optional grain direction; specify at the time of order placement. See diagrams on this page for examples and exceptions.

Essentials Veneer

- Brickdust
- Cask
- Clay
- Fawn
- Flax
- Flint
- Loft
- Mesa
- Mineral
- Mocha
- Outback
- Pilsner
- Sienna
- Truffle
- Umber
- Valley

Artisan Veneer

- Barrel
- Buff
- Cinder
- Egret
- Raven
- Rye
- Sable
- Saddle



CORPORATE OFFICE
225 CLAY STREET
JASPER, INDIANA 47546



800.457.4511 **TOLL FREE**
812.482.3204 **OFFICE**
812.482.1548 **FAX**



JSIFURNITURE.COM

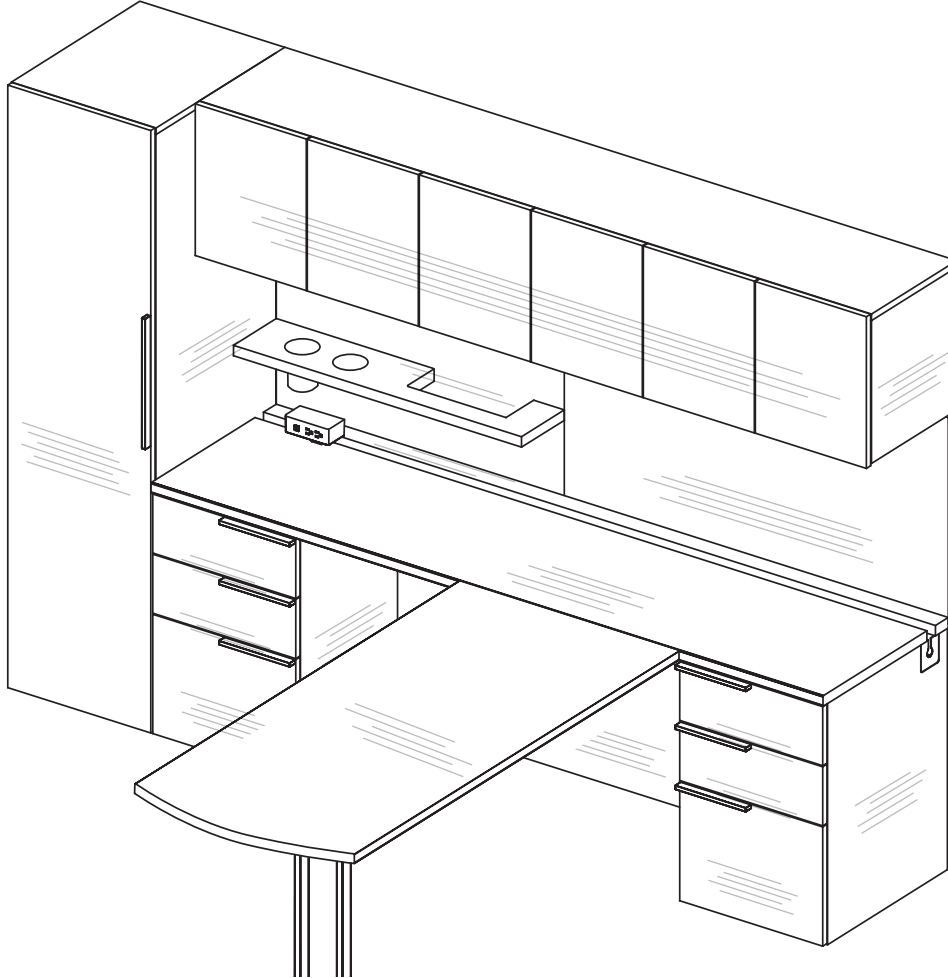


CONTACT JSI

Flux Applied Materials

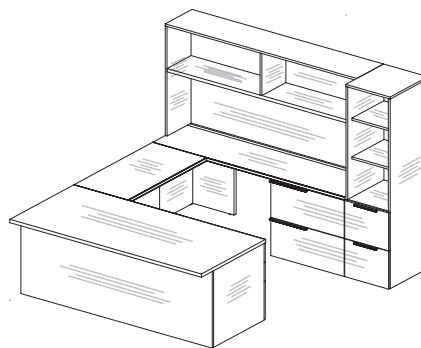
Horizontal Veneer Grain Direction

Linear grain patterns may be specified with a horizontal grain direction on all surfaces. Worksurfaces run long grain except for bridges, returns, peninsula and run-off tops, which run short grain. Below are typical examples of horizontal veneer grain direction.

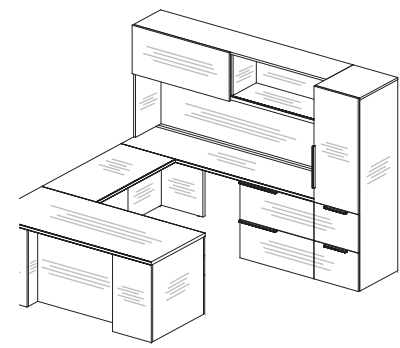


Horizontal Grain Direction

Linear grain patterns may be specified to run horizontal; specify at the time of order placement. Refer to the diagrams on this page for examples.



Flush Front Desk U Unit with Open Storage



Breakfront Desk U Unit with Closed Storage

Essentials Veneer Horizontal Grain Patterns: Fawn, Flint, Loft and Valley



CORPORATE OFFICE
225 CLAY STREET
JASPER, INDIANA 47546



800.457.4511 **TOLL FREE**
812.482.3204 **OFFICE**
812.482.1548 **FAX**



JSIFURNITURE.COM

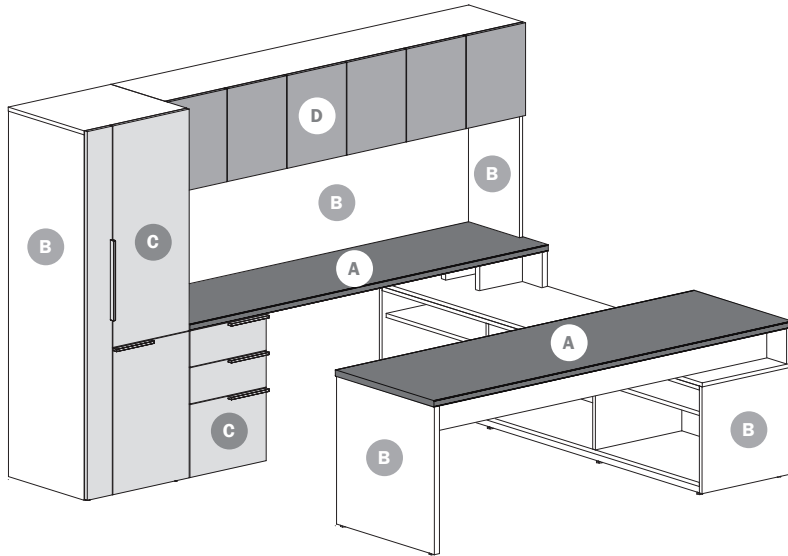


CONTACT JSI

Flux Applied Materials

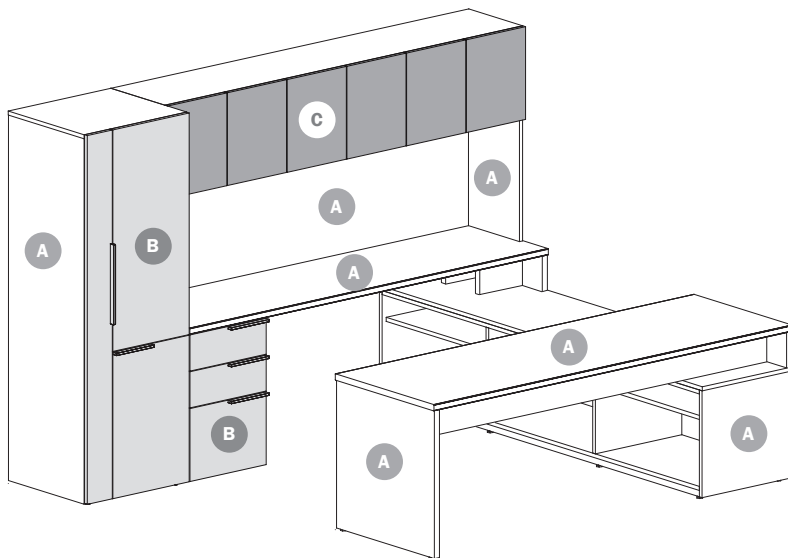
Flux Color Scheme

Flux offers the flexibility to specify contrasting drawer and door fronts, or a contrasting worksurface for laminates, separate from the standard chassis selection. See the options available below, depending on whether laminate or veneer is specified for the chassis.



Laminate Surface Options

- A** = Worksurface
Laminate – see page 5 in the price list for selection
- B** = Chassis
Laminate – see page 5 in the price list for selection
- C** = Drawer and Door Fronts
 1. standard – same as chassis selection
 2. optional – contrasting laminate from standard selection
- D** = Overhead and Worksurface Storage Doors
 1. standard – same as chassis selection
 2. optional
 - a. contrasting laminate from standard selection
 - b. white back painted glass doors in an aluminum frame – see page 31 in the price list
 - c. markerboard laminate with silver PVC edge see page 31 in the price list



Veneer Surface Options

- A** = Worksurface and Chassis
Veneer – see page 5 in the price list for selection
- B** = Drawer and Door Fronts
 1. standard – same as chassis selection
 2. optional – paint color (vertical maple veneer substrate) – see page 5 in the price list for color selection
- C** = Overhead and Worksurface Storage Doors
 1. standard – same as chassis selection
 2. optional
 - a. paint color (vertical maple veneer substrate) see page 5 in the price list for color selection
 - b. white back painted glass doors in an aluminum frame – see page 31 in the price list
 - c. markerboard laminate with silver PVC edge see page 31 in the price list

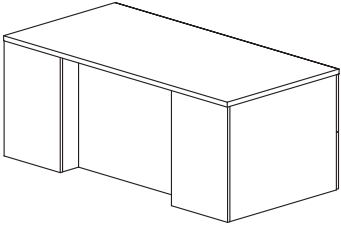


Flux Desk Details

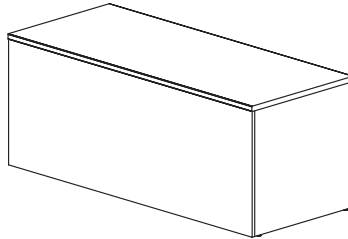
Pedestal Desks

Product Overview

The Flux pedestal desk is available with a break front or flush front. Options for wire management vary depending on the selected desk.

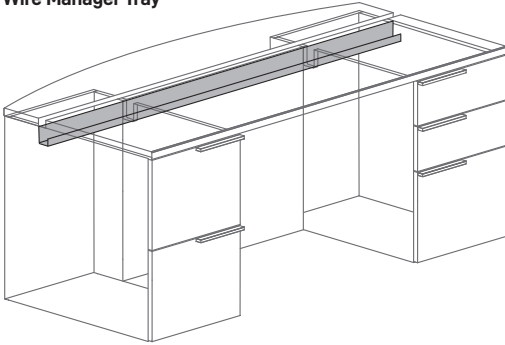


Break Front Desk
Pedestal access door optional



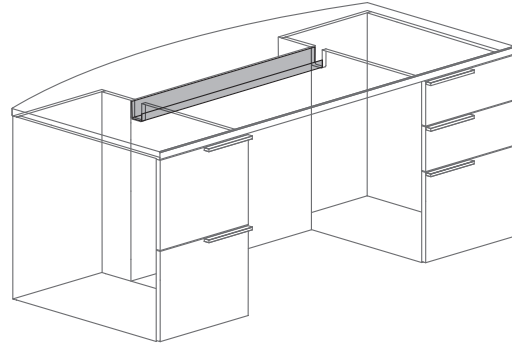
Flush Front Desk

Wire Manager Tray



Desks with a split top have a continuous wire manager tray as a standard feature.

Note: desks do not have side end panel grommets.

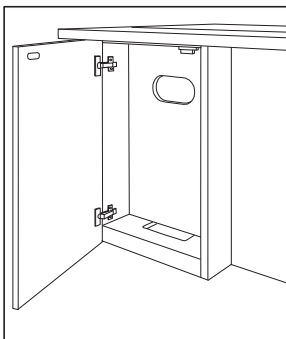


A wire manager tray can be ordered on desks with solid tops by optioning in the pedestal access door (available on break front desks) or by ordering a continuous wire manager tray.

Note: it is recommended that with either of these options, a top grommet be specified.

Pedestal Access Doors

Available on the front of break front desks to conceal cords. Both right and left pedestals of desk will have the access door with this option.



CORPORATE OFFICE
225 CLAY STREET
JASPER, INDIANA 47546



800.457.4511 **TOLL FREE**
812.482.3204 **OFFICE**
812.482.1548 **FAX**



JSIFURNITURE.COM



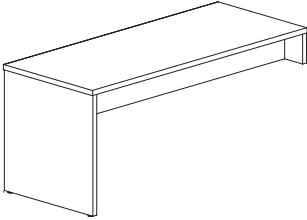
CONTACT JSI

Flux Desk Details

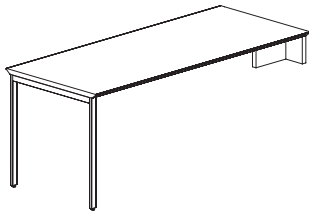
Peninsula Desk with Secondary Credenza Support

Product Overview – Peninsula Desk

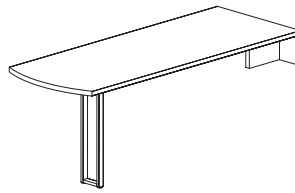
The Flux peninsula desk, which mounts to the top of a secondary height credenza for support, is available in a variety of top shapes and base styles. Edge profile and modesty panel options vary according to the style selected. Below are a few examples of top and base combinations.



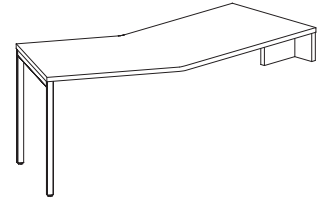
Rectangle Peninsula Table
Desk with End Panel Support
Eased Edge only
Partial Modesty Panel standard



Rectangle Peninsula Table
Desk with End Leg Assembly
Reverse Bevel Edge optional
Partial Modesty Panel optional



Arc End Peninsula Table
Desk with Frame Base
Reverse Bevel Edge optional
Partial Modesty Panel optional

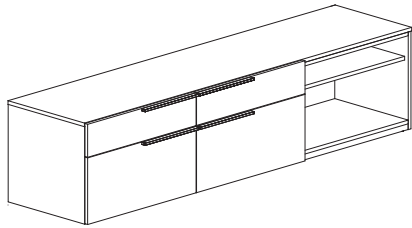


Boomerang Peninsula Table
Desk with End Leg Assembly
Reverse Bevel Edge optional
Partial Modesty Panel optional

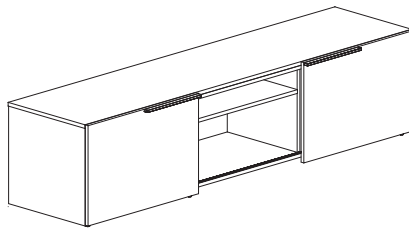
Product Overview – Secondary Height Credenza

The peninsula desk mounts to — and must be specified with — a secondary height credenza with an open compartment or sliding door compartment. See secondary height credenzas on pages 188-211 for pricing.

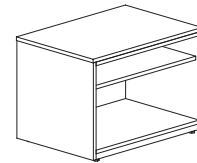
Secondary Credenza Examples



open compartment



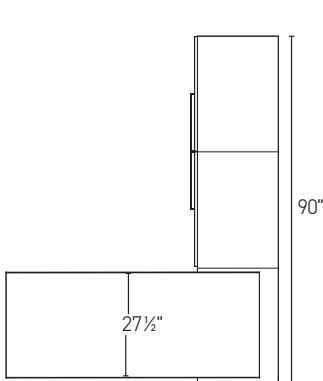
sliding door compartment



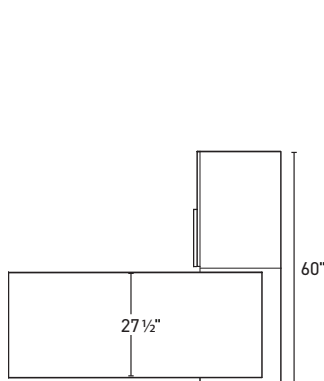
open compartment

Layout Requirements

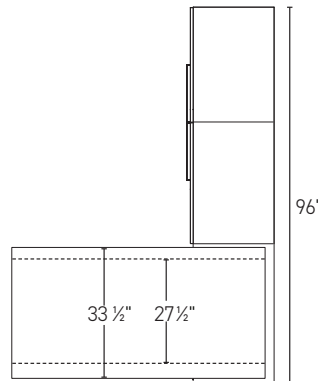
27 1/2" desk can pair with any open compartment. 33 1/2" desk pairs with an open compartment 32" or greater in width.



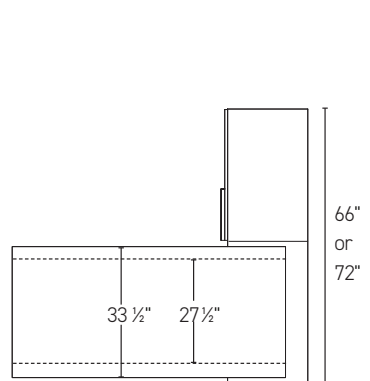
90" w credenza:
use 27 1/2" d desk



60" w credenza:
use 27 1/2" d desk



96" credenza:
use 27 1/2" d or 33 1/2" d desk



66" or 72" credenza:
use 27 1/2" d or 33 1/2" d desk



CORPORATE OFFICE
225 CLAY STREET
JASPER, INDIANA 47546



800.457.4511 **TOLL FREE**
812.482.3204 **OFFICE**
812.482.1548 **FAX**



JSIFURNITURE.COM



CONTACT JSI

Flux Desk Details

Ordering the Secondary Height Credenza

When ordering the credenza, the mounting location for the peninsula desk must be specified as Left (L), Center (C) or Right (R), and the peninsula depth must be specified (22", 27 1/2" or 33 1/2"). A cut out for a power module in the credenza top may be specified by adding the letter E to the order code.

Mounting Code Table

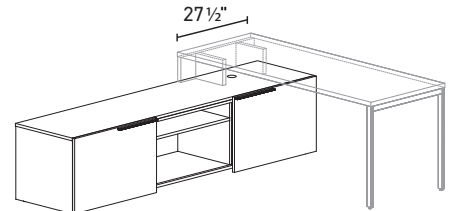
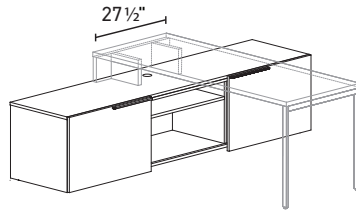
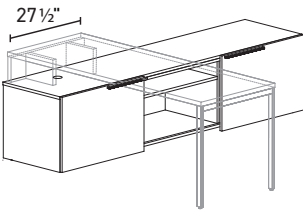
Peninsula Depth	Left Mount	Center Mount	Right Mount	Left Mount with Power	Center Mount with Power	Right Mount with Power
22"	L22	C22	R22	L22E	C22E	R22E
27 1/2"	L28	C28	R28	L28E	C28E	R28E
33 1/2"	L34	C34	R34	L34E	C34E	R34E

Mounting Code Examples

L 28 = mounts Left, with a 27 1/2"-deep peninsula desk

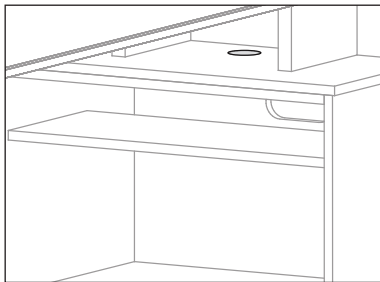
C 28 = mounts Center, with a 27 1/2"-deep peninsula desk

R 28 = mounts Right, with a 27 1/2"-deep peninsula desk

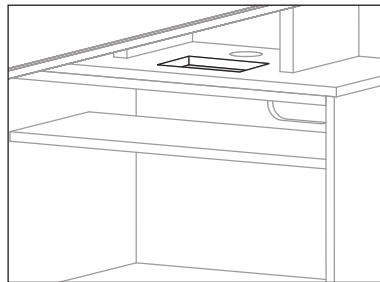


Technology Integration

Each mounting location comes with a 2 1/2" -diameter grommet for wire management. An EC26 power module cut out may also be added, and must be specified when ordering by adding the letter E to the mounting code. The power module must be ordered separately. See page 444 in the price list.



2 1/2"-diameter grommet



EC26 power module cut out

Power Module Cut Out Code

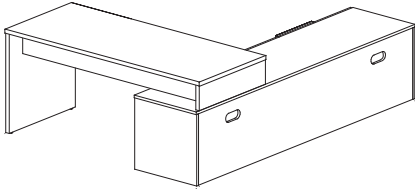
L 28 E

The grommet and EC26 power module locations are predetermined when selecting the peninsula mounting options; additional grommets or EC26 power modules can be specified at other locations on the secondary credenza. See page 45 in the price list.

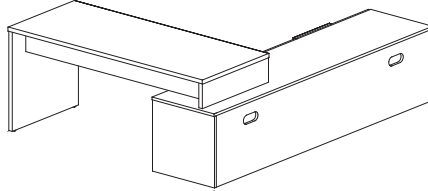
Flux Desk Details

Placement Locations

The peninsula desk may mount flush to the back panel of the credenza, or offset 5" to allow for an overhead hutch. Placement locations can be selected during field installation.



Placement 1 – Flush with Credenza Back
Can be used when no overhead storage is specified in the layout.

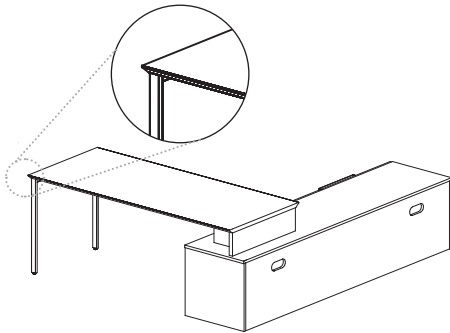


Placement 2 – Offset 5" from Back Panel
Must be used when placing an overhead on the secondary credenza.

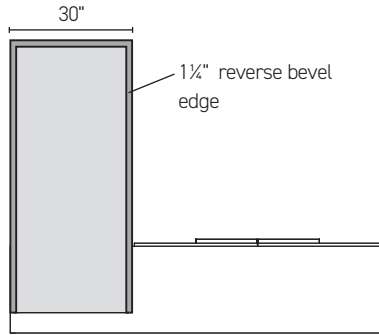
Note: the overall foot print grows by 5"

Reverse Bevel Edge Rules

A reverse bevel edge adds 1½" to the front of the desk top. Overheads that mount on the secondary credenza cannot be used with peninsula desks with reverse bevel edges. For more on edge profiles, see page 8 in the price list.

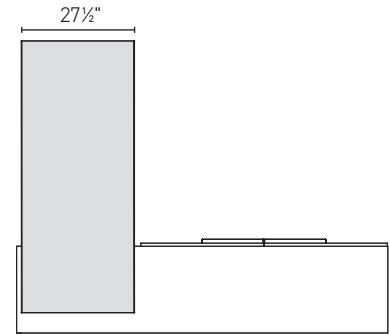


Peninsula desk with reverse bevel edge



Plan view of peninsula with reverse bevel edge

Note: lacks required space for overhead mounting



Plan view of peninsula with standard eased edge

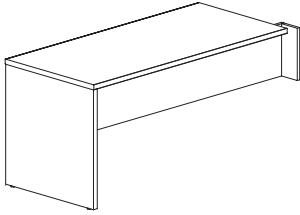
Note: allows room for overhead mounting

Flux Desk Details

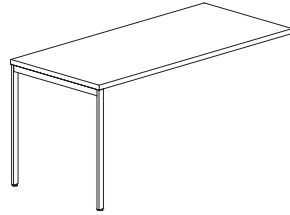
Run-off Desks

Product Overview

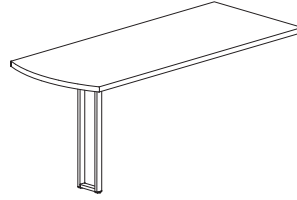
The Flux run-off desk, which mounts perpendicular to primary height credenzas, is available in a variety of top shapes and base styles. Edge profile and modesty panel options vary according to the style selected. Below are a few examples of top and base combinations.



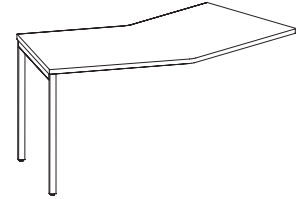
Rectangle Run-off Desk
with End Panel Support
Eased Edge only
Partial Modesty Panel standard



Rectangle Run-off Desk
with End Leg Assembly
Reverse Bevel Edge optional
Partial Modesty Panel optional



Arc End Run-off Desk
with Frame Base
Reverse Bevel Edge optional
Partial Modesty Panel optional

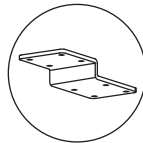
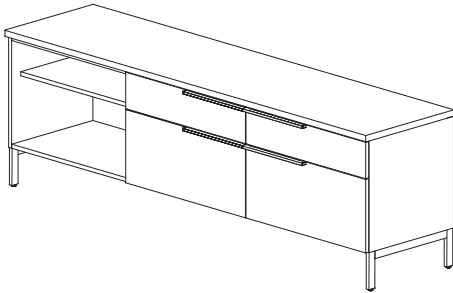


Boomerang Run-off Desk
with End Leg Assembly
Reverse Bevel Edge optional
Partial Modesty Panel optional

Run-off Desk Attachment

The run-off desk mounts perpendicular to primary height units, and ships with two sets of brackets, for two types of credenzas attachments:

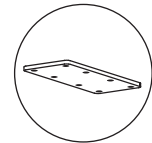
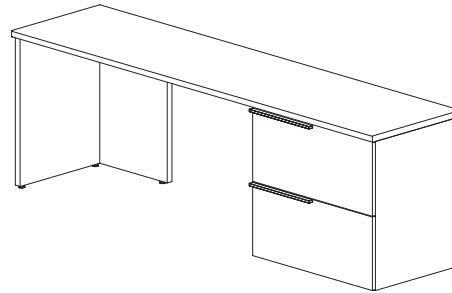
(1) Open Compartment Credenza



"Z" brackets

The run-off desk can be mounted to a credenza with open compartments. It attaches to the underside of the credenza with "Z" brackets. Run-off desks can not be mounted in sliding door compartments.

(2) Open Corner, Shell or Modular Credenza

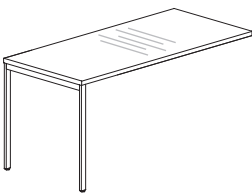


Flat brackets

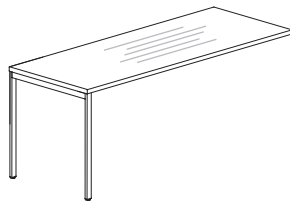
The run-off desk can be mounted to an open corner credenza, credenza shell, or modular credenza. It attaches to the underside of the credenza with flat brackets. Use this type of credenza with run-off desks that have End Panel Supports with standard modesty panels.

Grain Direction

Grain direction runs "short" on run-off tops, though laminate tops longer than 60" run long grain. For more details, please reference grain direction on pages 11-13



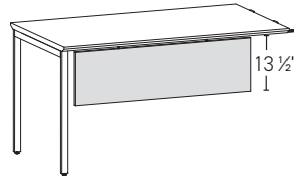
Short Grain
All veneer run-off tops
Laminate tops 60" or shorter



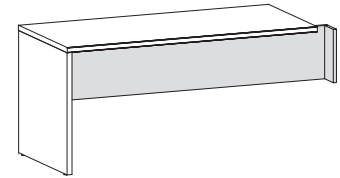
Long Grain
Laminate tops longer than 60"

Modesty Panels

13 1/2"-high hanging modesty panels are available for desks with End Leg Assembly or Frame Base. Desks with an End Panel Support come standard with an integrated modesty panel.



Hanging Modesty Panel
Optional for desks with metal bases



Integrated Modesty Panel
Standard with End Panel Support desks

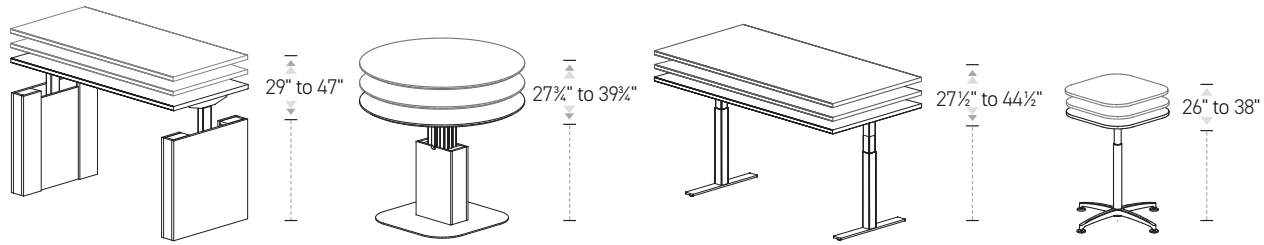


Flux Desk Details

Adjustable Height Desks and Tables

Product Overview

Flux adjustable height desks and tables are available in a variety of top shapes and base styles, with pneumatic or electrical lift mechanisms. Metal finishes, wire management and modesty panel options vary according to the style selected. Below are various styles with adjustable height ranges.



Adjustable Height Desks,
Credenzas and Returns
Electrical lift mechanism
Adjustable range of 18"

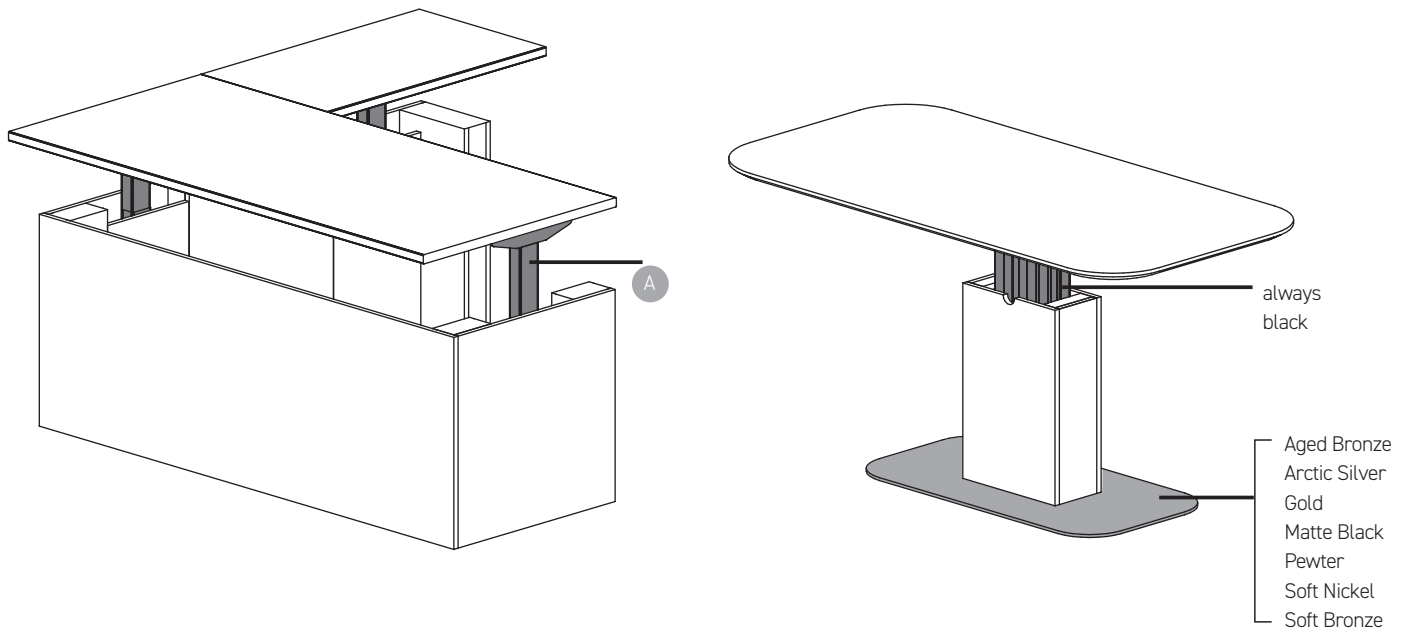
Adjustable Height Table Desks
(meeting tables)
Electrical lift mechanism
Adjustable range of 18"
Round, square or rectangle shapes

Adjustable Height Tables
Electrical or pneumatic lift mechanism
Adjustable range of 17"

Side Tables
Pneumatic lift mechanism
Adjustable range of 12"
Round, square or rectangle shapes
Nest with primary worksurfaces

Color Scheme

The finish on the adjustable lift column **A** will automatically be silver if you select Arctic Silver or Soft Nickel metal. If Aged Bronze, Gold, Matte Black, Soft Bronze or Pewter metal is selected, the lift column **A** will be black.

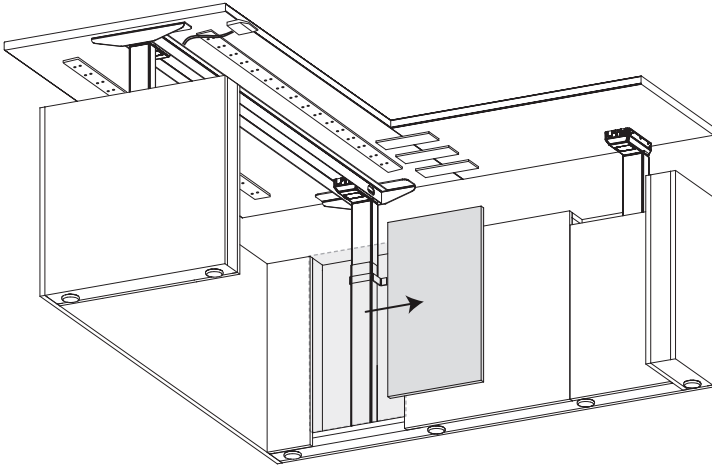


Metal finishes on electric adjustable height tables available in Alloy or Matte Black.
Metal finishes on pneumatic adjustable height tables available in Stardust Silver or Black Sandtex.

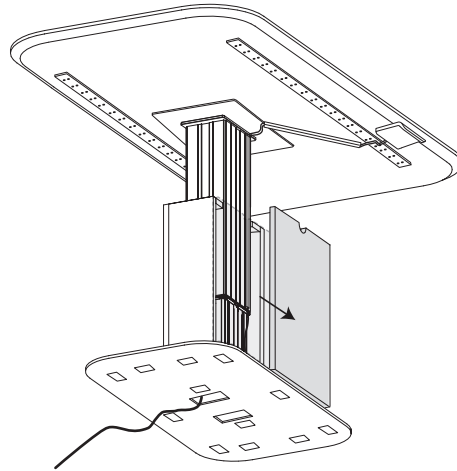
Flux Desk Details

Wire Management

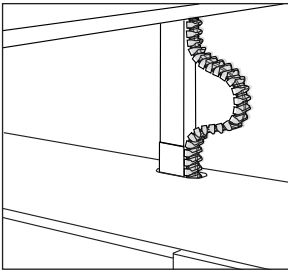
Removable panels allow access to the lift columns and also provide wire management.



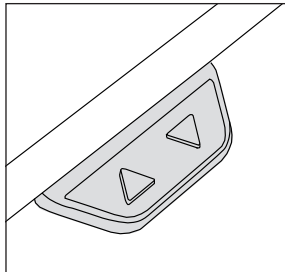
Removable panel shown from underside of adjustable height desk.



Electrical cord exits through the bottom side of the plate. Neoprene leveling pads allow the cord to lay flat.



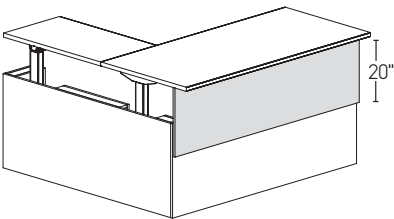
A flexible wire manager is included on adjustable desks, returns and credenzas.



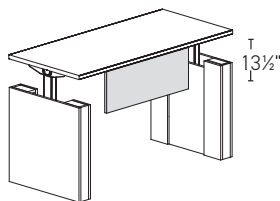
Controller can be mounted anywhere along top perimeter.

Optional Modesty Panel

An optional modesty panel can be added to an adjustable height desk or table desk.



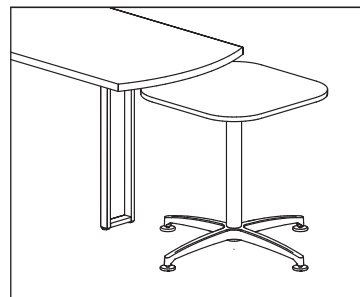
Adjustable Height Desk
Modesty panel mounts to the front of desk with overhang.



Adjustable Height Table Desk
Modesty panel mounts in between the end panels.

Nesting Side Table

Adjustable height side tables are designed to nest with primary height worksurfaces.

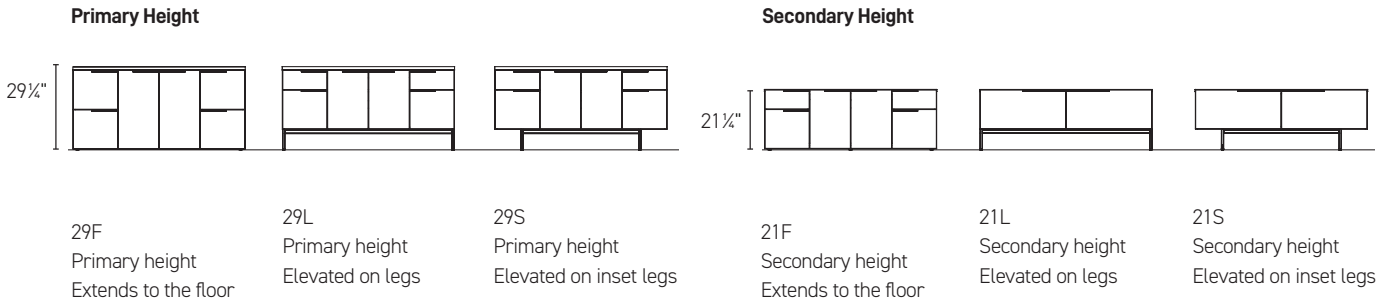


Flux Desk Details

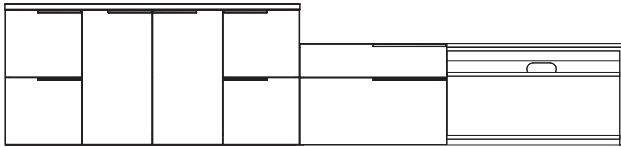
Credenzas

Product Overview

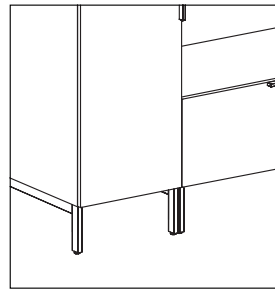
The Flux credenza is available as a 29½" primary height credenza, or as a shorter, 21½" secondary height credenza. Both heights come in three base styles as shown below.



Drawer Alignment



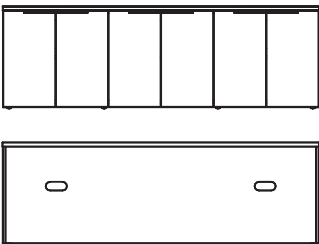
Drawers align between primary and secondary heights.



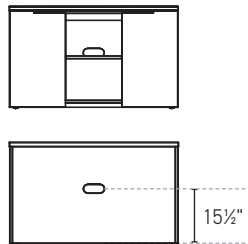
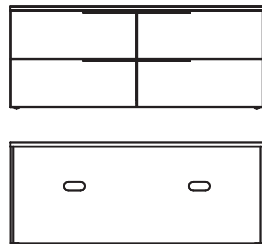
Legs pair up with adjacent units.

Credenza Oval Grommet Rules

Oval grommets for wire management are standard in all storage credenzas. Oval grommets in back panels can be eliminated upon request at no upcharge. Oval grommets are not offered in kneespace credenzas, open corner credenzas, modular pedestals, and pedestals under 18" w.



2 Grommets
Credenzas 60" w or greater with multiple storage compartments or drawer stacks have 2 grommets



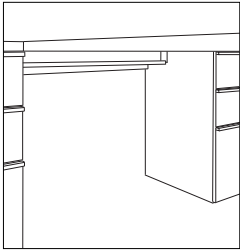
1 Grommet
Credenzas under 60" w have 1 grommet

Flux Product Details

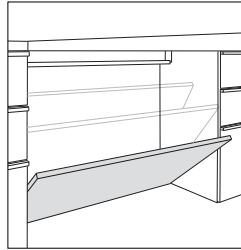
Credenza Options

Modesty Panel

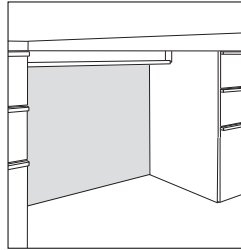
A modesty panel can be added as an option to Kneespace and Open Corner Credenzas. A partial modesty panel, full modesty panel or removable modesty panel are available.



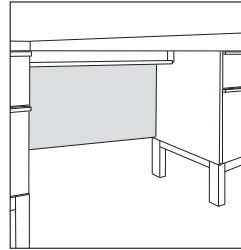
Standard without modesty panel



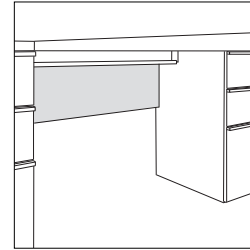
Removable modesty panel



Fixed full height modesty panel



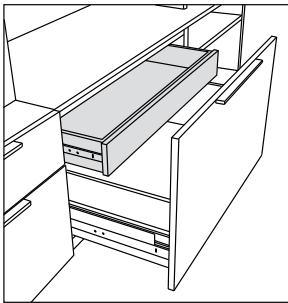
Fixed full height modesty panel with legs



Fixed partial modesty panel

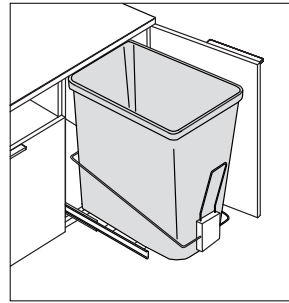
Concealed Drawers

Concealed drawers are available on credenzas with box/lateral file drawer configurations. This offers one continuous front.



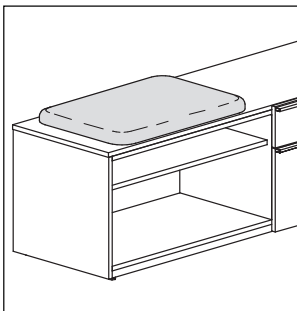
Trash Cans

Primary height credenzas with 18" wide hinge door storage can be outfitted with a trash can.

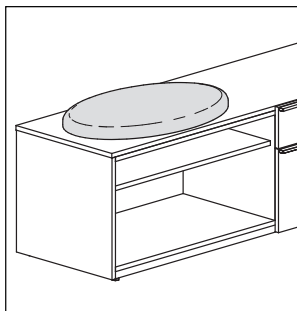


Seat Cushions

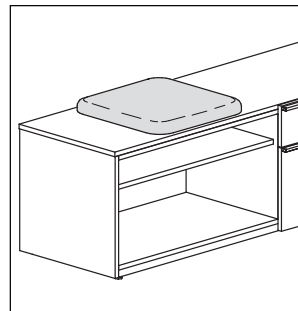
Seat Cushions are available in Rectangle, Oval, Square and Round and can be ordered separately for use on secondary credenzas.



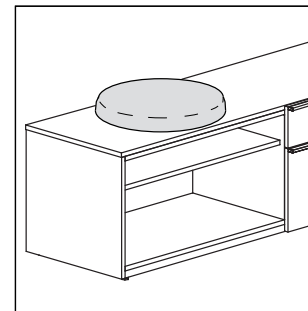
Rectangle seat cushion



Oval seat cushion



Square seat cushion



Round seat cushion



CORPORATE OFFICE
225 CLAY STREET
JASPER, INDIANA 47546



800.457.4511 **TOLL FREE**
812.482.3204 **OFFICE**
812.482.1548 **FAX**



JSIFURNITURE.COM

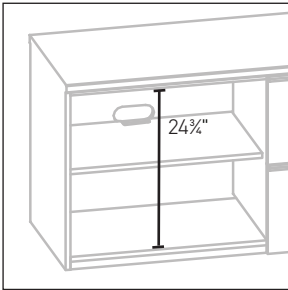


CONTACT JSI

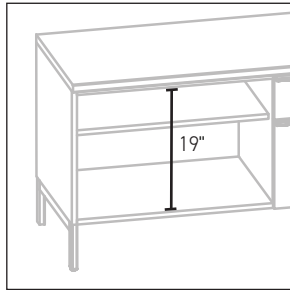
Flux Product Details

Credenza Interior Compartment Heights

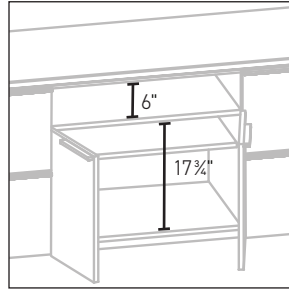
Primary height credenzas (29 1/4" h)



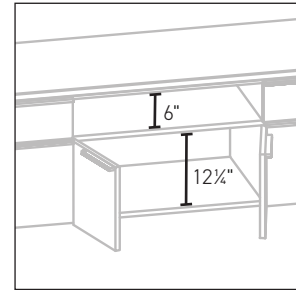
29F side compartment



29L & 29S side compartment

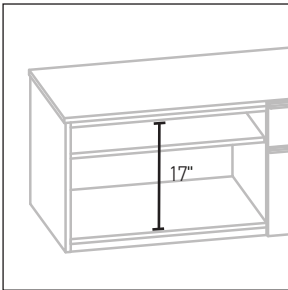


29F middle compartments

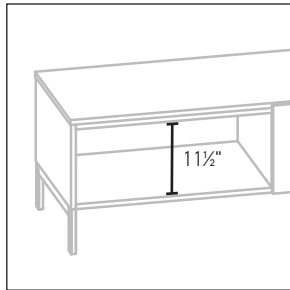


29L & 29S middle compartments

Secondary height credenzas (21 1/4" h)

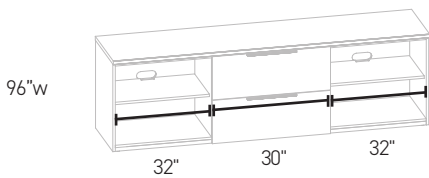


21F side compartment

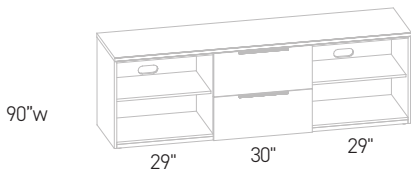
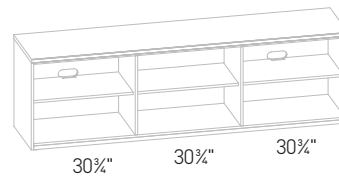
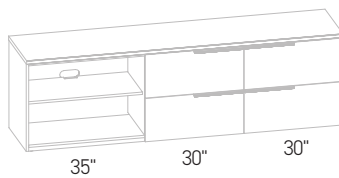


21L & 21S side compartment

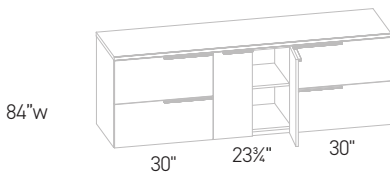
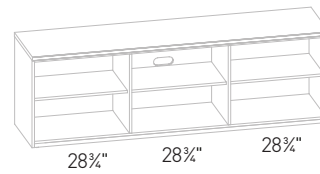
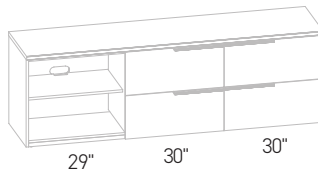
Credenza Interior Compartment Widths



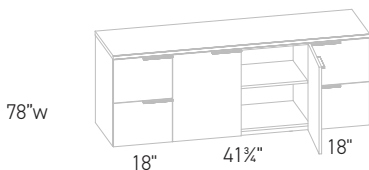
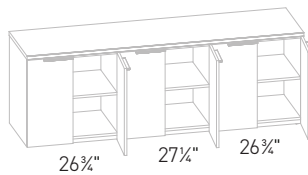
96" w



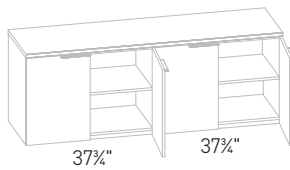
90" w



84" w

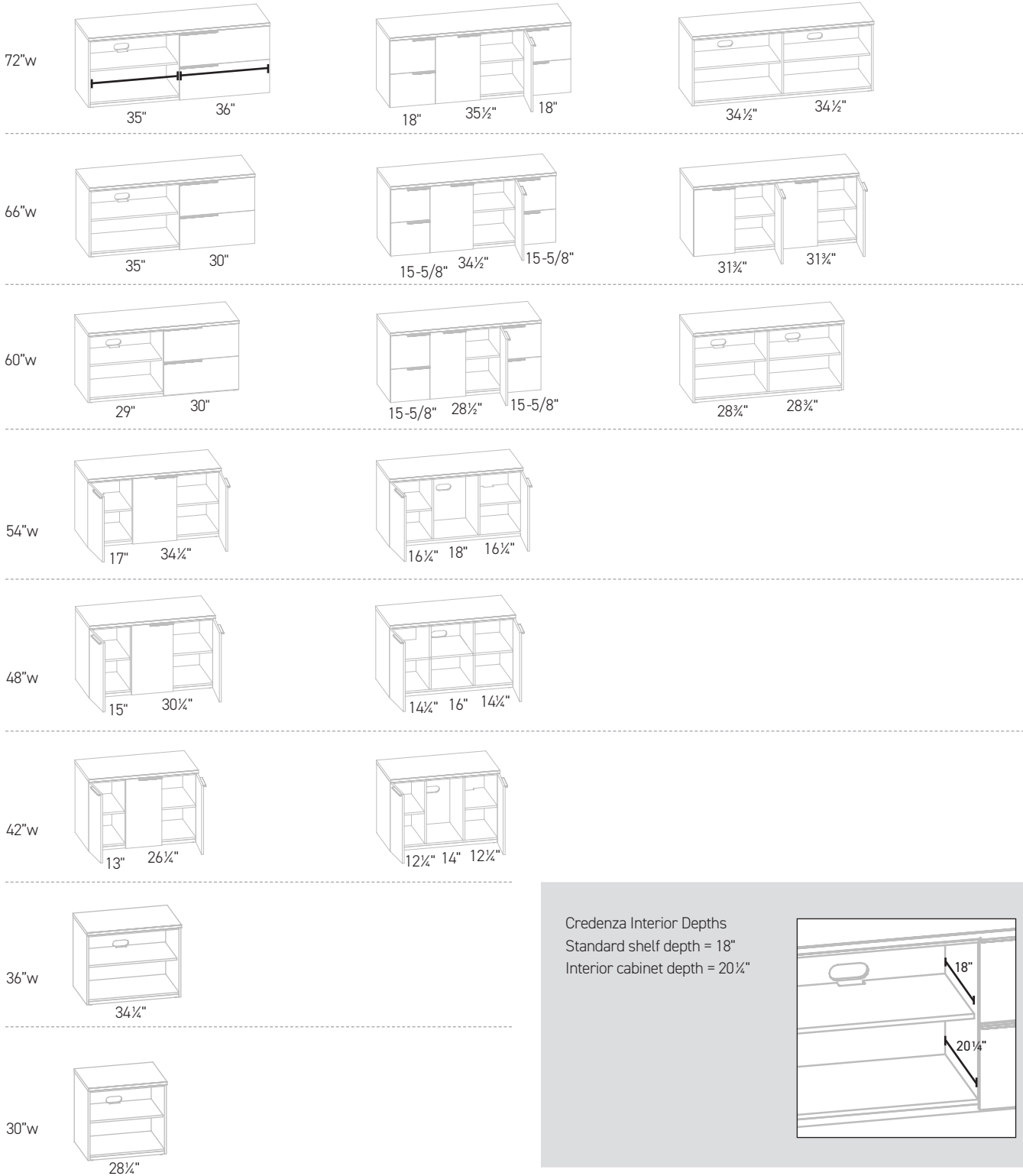


78" w



Flux Product Details

Credenza Interior Compartment Widths (continued)



All dimensions are rounded down to the nearest quarter inch. Call Customer Service if exact dimensions are needed.

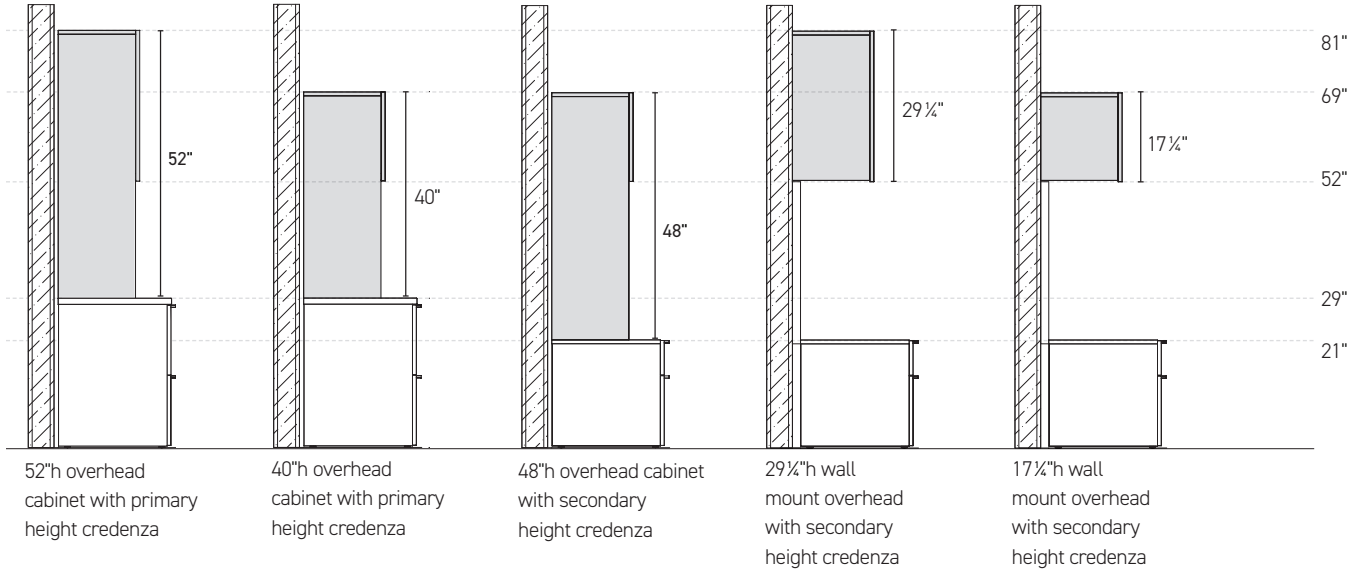
Flux Product Details

Overhead Cabinets, Wall Mount Overheads and Wall Panel Stack-ups

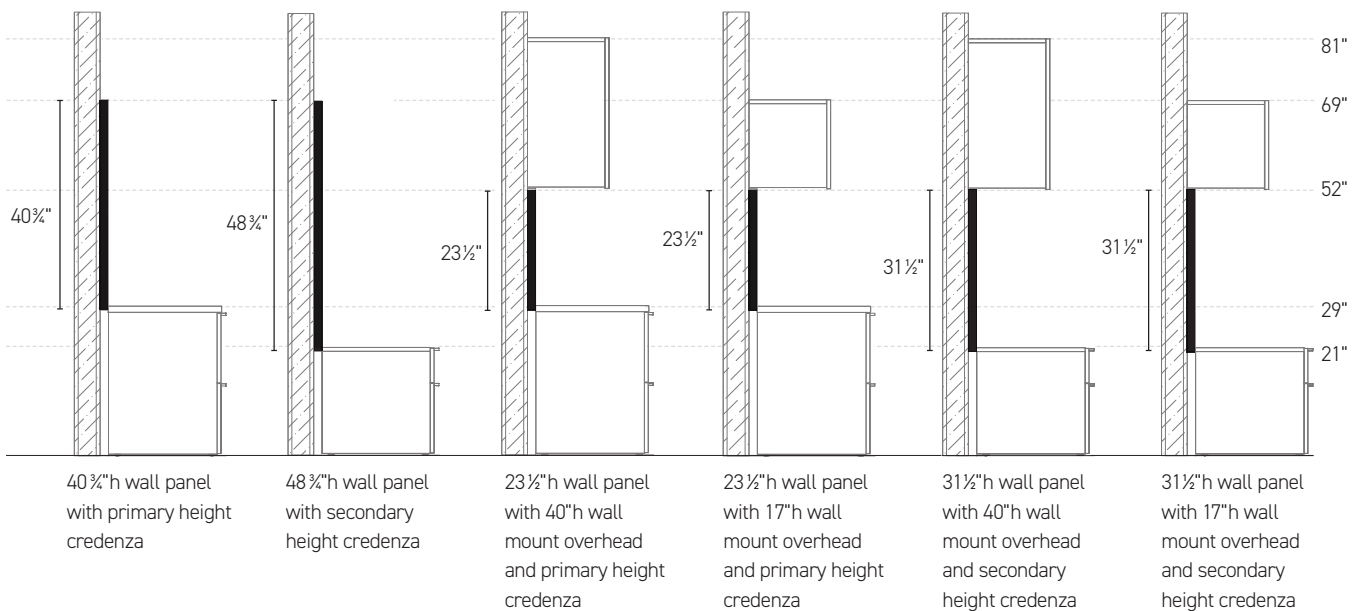
Product Overview

Flux overhead cabinets, wall mount overheads and wall panels, when combined with lower storage, create an overall height of 69½" or 81". Overhead cabinets are available in three heights: 40", 48" or 52". Wall mount overheads are available in two heights: 17" or 29" (add ½" to overall height for self-pull). Wall panels are available in four heights to accommodate various combinations of use to create the overall height of 69½" or 81". Wall panels include laminate, veneer, tackboard, markerboard, magnetic glass, and workwall panels.

Overhead Cabinets (side view)



Wall Panels (side view)



CORPORATE OFFICE
225 CLAY STREET
JASPER, INDIANA 47546



800.457.4511 **TOLL FREE**
812.482.3204 **OFFICE**
812.482.1548 **FAX**



JSIFURNITURE.COM

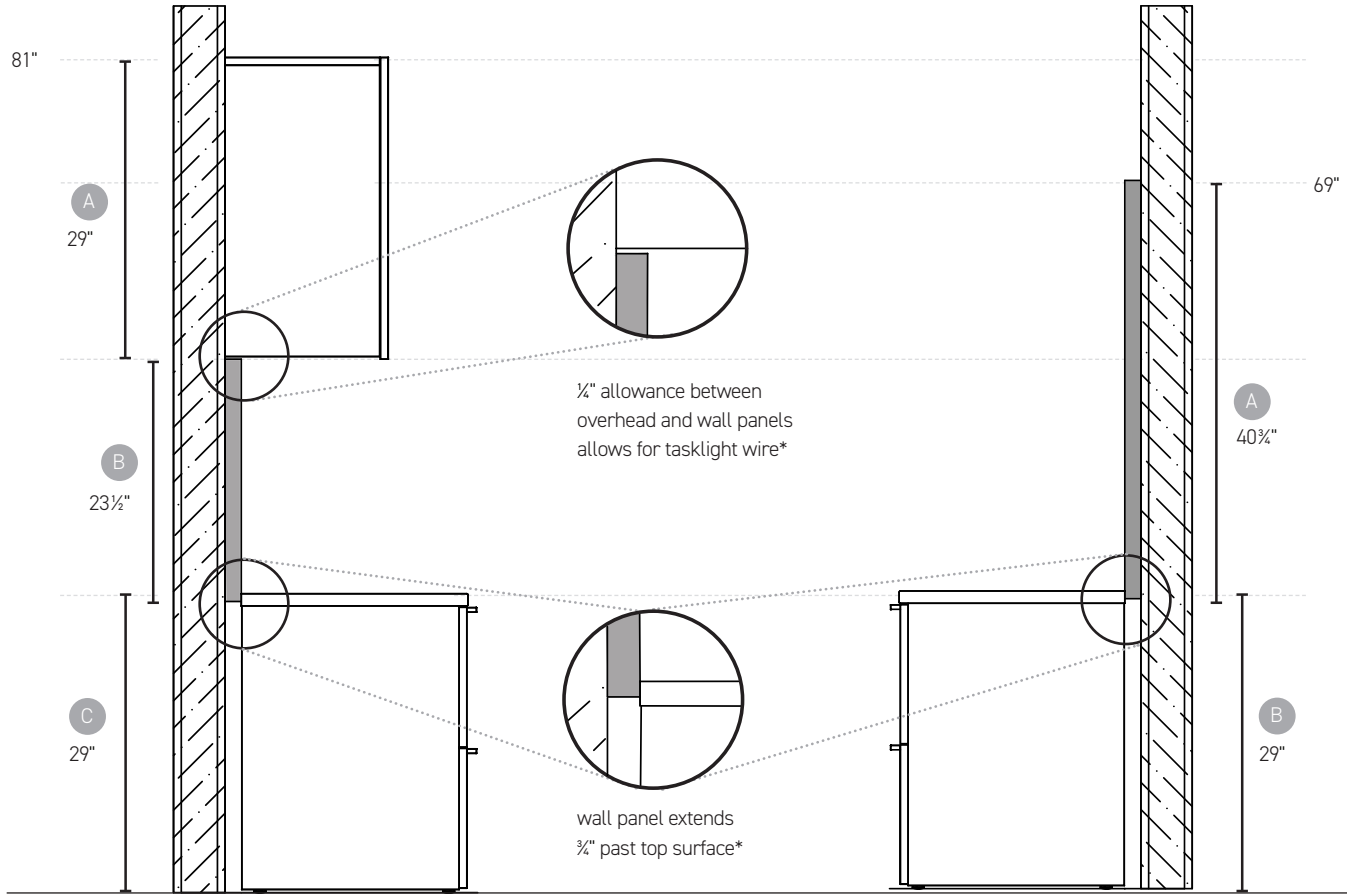


CONTACT JSI

Flux Product Details

Wall Panel Installation

Proper installation when using wall panels will result in proper alignment.



	Height	Notes
A	29.00" wall side	29.25" overall with extended door for self pull
B	23.50" overall	0.75" of panel extends past the credenza
C	29.00" overall	
	81.50"	
	+ .25" between overhead and wall panel	
	- .75" extended panel	
	81.00" finished height	

	Height	Notes
	40.75" overall	0.75" of panel extends past the credenza
	29.00" overall	
	69.75"	
	- .75" extended panel	
	69.00" finished height	

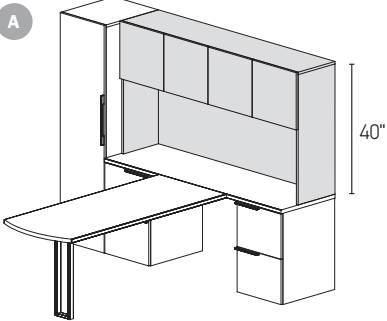
*For correct alignment with other Flux components, these allowances must be factored into mounting of the overheads and wall panels during installation (instructions included).

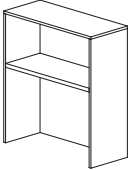
Flux Product Details

40" Overhead Stack-up Options (with Primary Height Credenza)

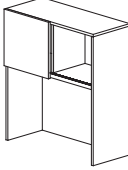
A 40" overhead may be composed of: **A** storage cabinets/towers, **B** wall mount overheads paired with wall panels or **C** tall wall panels, creating an overall unit height of 69" when added to a primary height credenza.

A

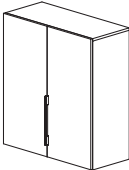




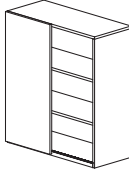
Open Storage Cabinet



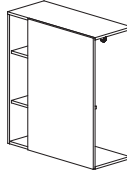
Sliding Door Cabinet



Hinged Door Storage Tower



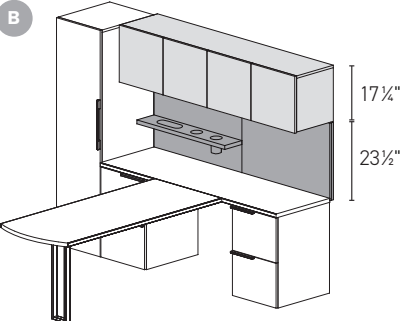
Sliding Door Storage Tower

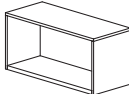


Side Wardrobe with Open Shelf

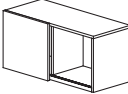
See pages 314-323 and 396-399 in the price list for additional storage cabinet and tower options.

B

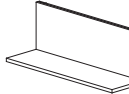




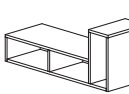
Open Storage



Sliding Door

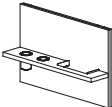


Shelf

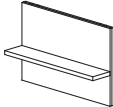


Cubby

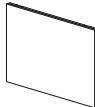
See pages 321-335 in the price list for additional wall mount overhead options.



Panel with Accessory File Shelf



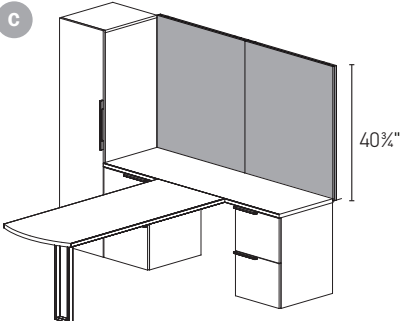
Panel with Mini Shelf




Wall Panel
(lamine, veneer, tack panel, markerboard or glass)


See pages 340-343 and 352-355 in the price list for additional wall mount wall panel options.

C






Markerboard



Glass Markerboard



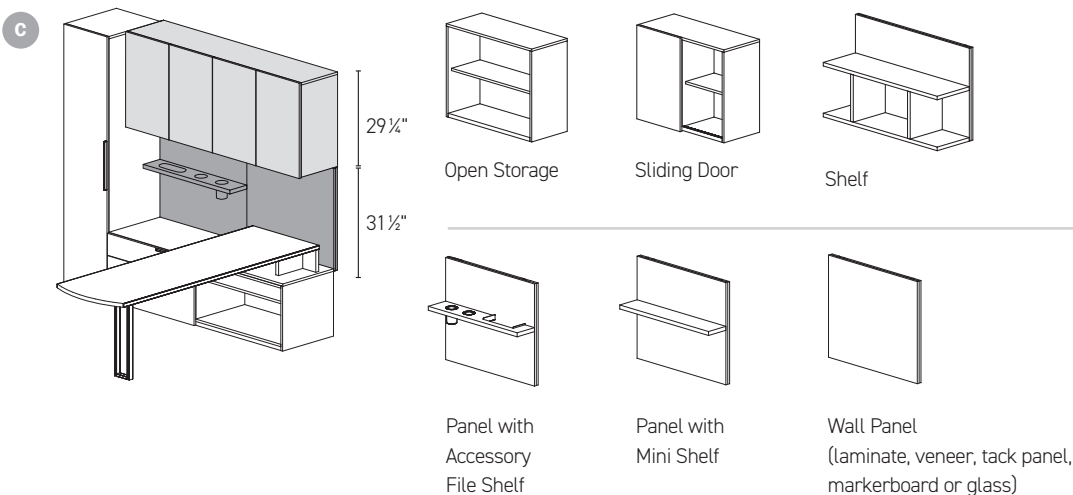
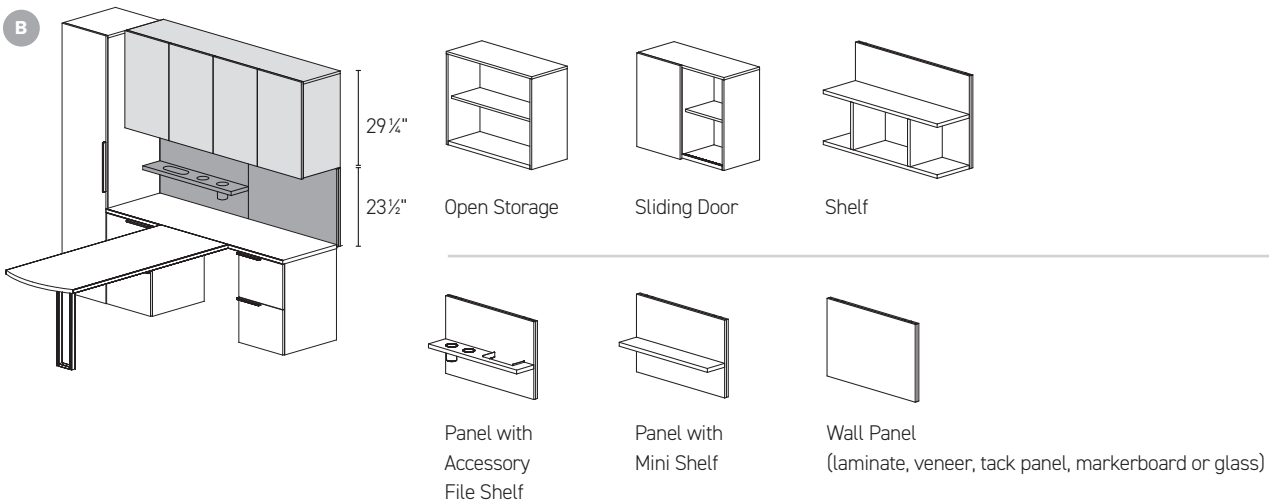
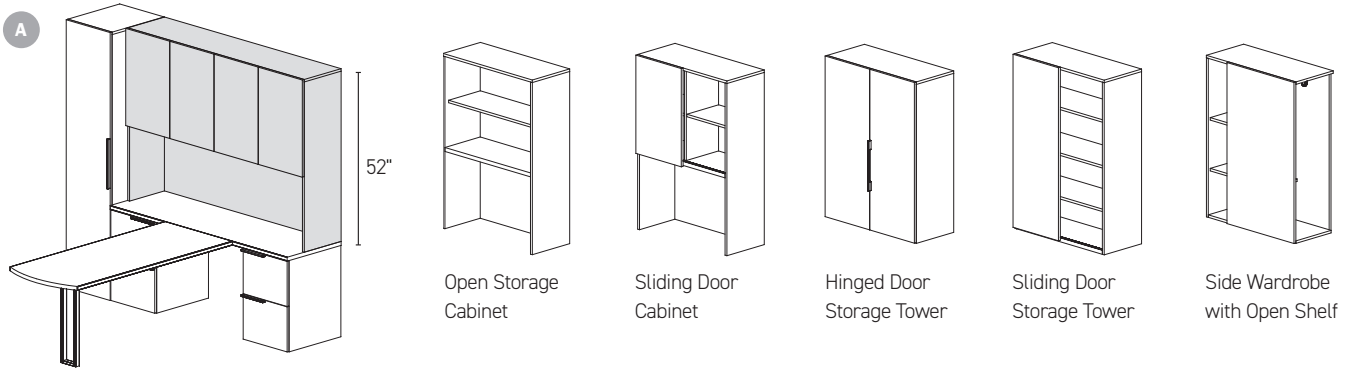
Tack Panel

See pages 336-339 in the price list for additional wall mount wall panel options.

Flux Product Details

Double Height Overhead Stack-up Options (with Primary and Secondary Credenza)

A 52" overhead may be composed of: **A** double height storage cabinets/towers, or **B** double height wall mount overheads and wall panels, creating an overall unit height of 81" when added to a primary height credenza. A 60" overhead composed of **C** double height wall mount overheads and wall panels can create an overall unit height of 81" when added to a secondary height credenza.



Flux Product Details

48" Overhead Stack-up Options (with Secondary Height Credenza)

A 48" overhead may be composed of: **A** storage cabinets/towers, **B** wall mount overheads paired with wall panels or **C** tall wall panels, creating an overall unit height of 69" when added to a secondary height credenza.

A

48"

Open Storage Cabinet Sliding Door Cabinet Hinged Door Storage Tower Open Shelf Storage Tower Side Wardrobe with Open Shelf

See pages 296-305 and 366-367 in the price list for additional storage cabinet and tower options.

B

17 1/4"

31 1/2"

Open Storage Sliding Door Shelf Cubby

Panel with Accessory File Shelf Panel with Mini Shelf Wall Panel (laminated, veneer, tack panel, markerboard or glass)

See pages 321-335 in the price list for additional wall mount overhead options.

See pages 340-343 and 352-355 in the price list for additional wall mount wall panel options.

C

48 3/4"

Laminate or veneer panel Glass Markerboard Tack Panel

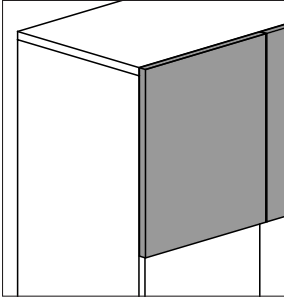
See pages 348-351 in the price list for additional wall mount wall panel options.

Flux Product Details

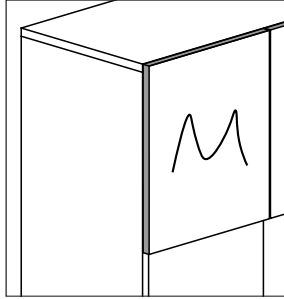
Overhead Options

Overhead Cabinet Doors

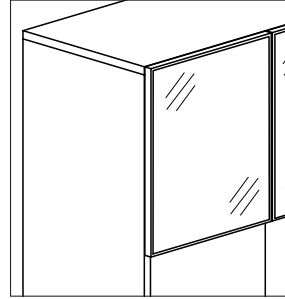
Contrasting door fronts, markerboard laminate fronts and white back painted glass fronts are available on overhead doors.



Contrasting laminate door fronts with any JSI standard laminate, or painted veneer fronts in JSI standard painted finishes.



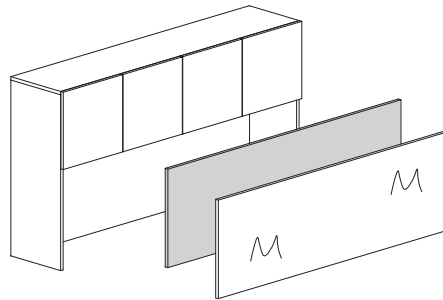
White markerboard laminate with silver vinyl wrapped door edges



White back painted glass in a thin aluminum frame, with markerboard surface (locking not available on overhead with glass doors)

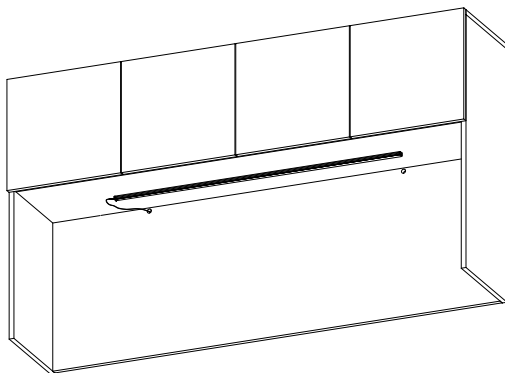
Overhead Cabinet Panels

Tackboard or laminate markerboard panels are available in overhead cabinets. Specify separately. Panels attach with dual lock fasteners.



Tasklights

Flux tasklights are available for overhead cabinets. Specify separately. Grommet holes for wire management are 5/8" diameter for the LED tasklight. Refer to the chart to the right for the recommended tasklight length according to overhead cabinet width.



Overhead Width	Tasklight Model Number	Tasklight Length
96"	TL60LEDF	60"
90"	TL60LEDF	60"
84"	TL45LEDF	45"
78"	TL45LEDF	45"
72"	TL45LEDF	45"
66"	TL45LEDF	45"
60"	TL39LEDF	39"
54"	TL27LEDF	27"
48"	TL27LEDF	27"
42"	TL27LEDF	27"
36"	TL27LEDF	27"
30"	TL27LEDF	27"



CORPORATE OFFICE
225 CLAY STREET
JASPER, INDIANA 47546



800.457.4511 **TOLL FREE**
812.482.3204 **OFFICE**
812.482.1548 **FAX**



JSIFURNITURE.COM

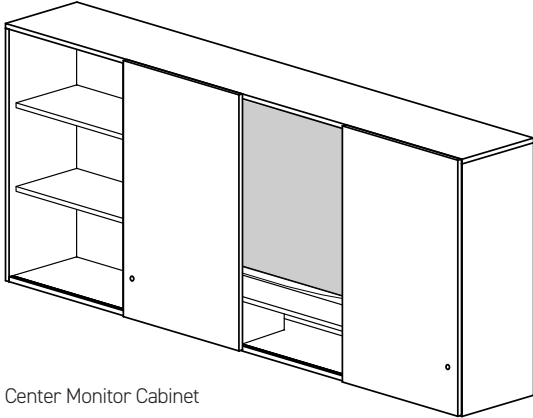


CONTACT JSI

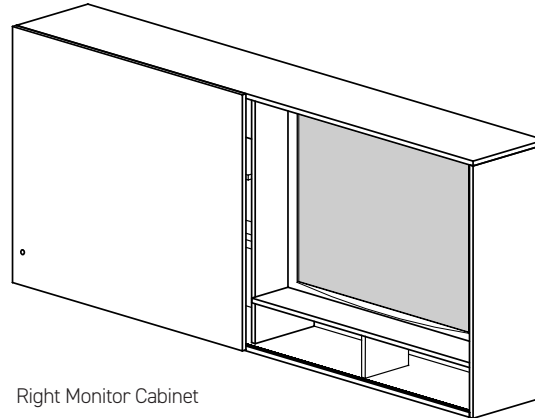
Flux Product Details

Monitor Cabinets

Monitor cabinets allow a dual purpose layout: personal storage compartment and media compartment are available in various widths (96", 90", 84", 78", 72", 66", and 60") and configurations. Monitor cabinets should be used with primary height credenzas.

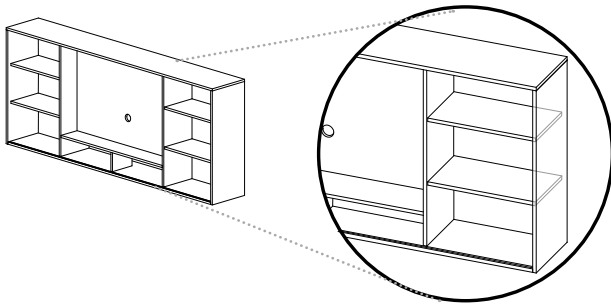


Center Monitor Cabinet



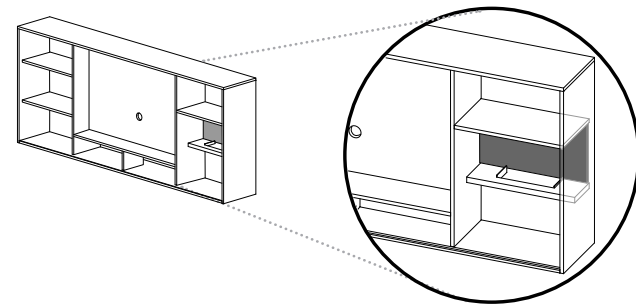
Right Monitor Cabinet

Center Monitor Cabinet Options



Center monitor with dual side shelf storage

Note: doors removed to show interior configurations



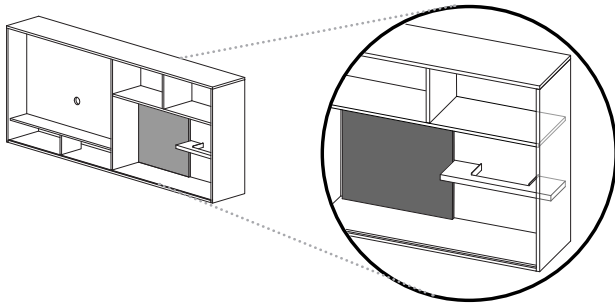
Center monitor with one side shelf storage and other side work-in-process storage (right or left), tackboard above filing shelf

Note: doors removed to show interior configurations

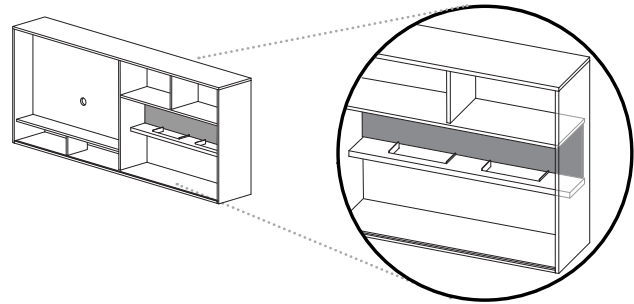


Flux Product Details

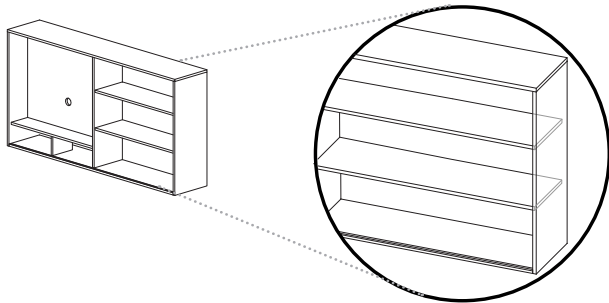
Right or Left Monitor Cabinet Options



Right or left monitor with side work-in-process storage and side tackboard
Available only on 96", 90", and 84" cabinet widths



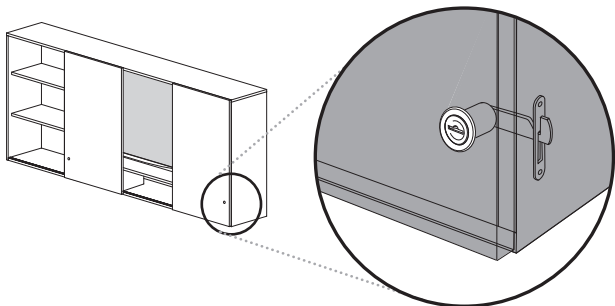
Right or left monitor with work-in-process storage and tackboard above filing shelf



Right or left monitor with side shelf storage
Available only on 78", 72", 66" and 60" cabinet widths

Locking

Locks are standard on all sliding doors on monitor cabinets. Only the personal storage locations lock; monitor sections do not lock.



Compartment Sizes

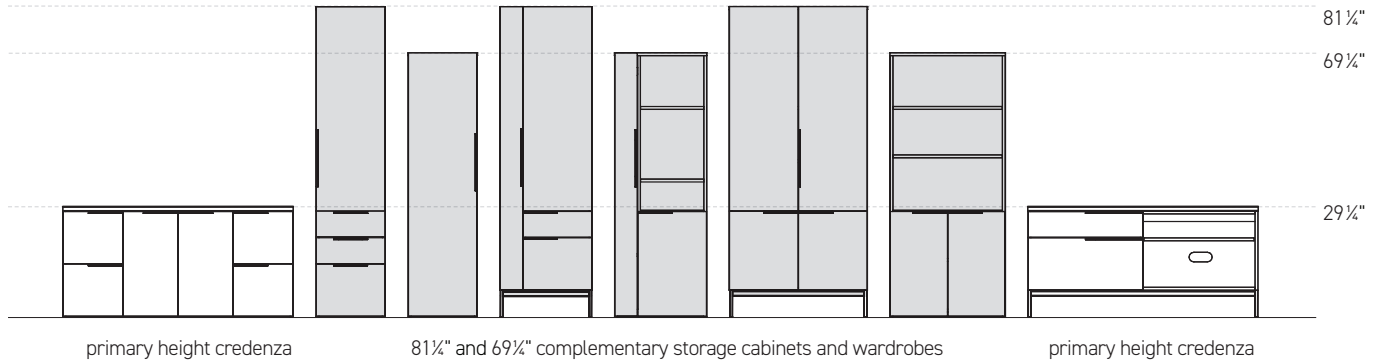
Use the chart below to determine the maximum monitor size allowed.

Cabinet Width	Monitor Section Interior Width	Maximum Monitor Size
95 -7/8"	48"	45"w x 29"h
89 -7/8"	45"	42"w x 29"h
83 -7/8"	42"	39"w x 29"h
77 -7/8"	39"	36"w x 29"h
71 -7/8"	36"	33"w x 29"h
65 -7/8"	33"	30"w x 29"h
59 -7/8"	30"	27"w x 29"h

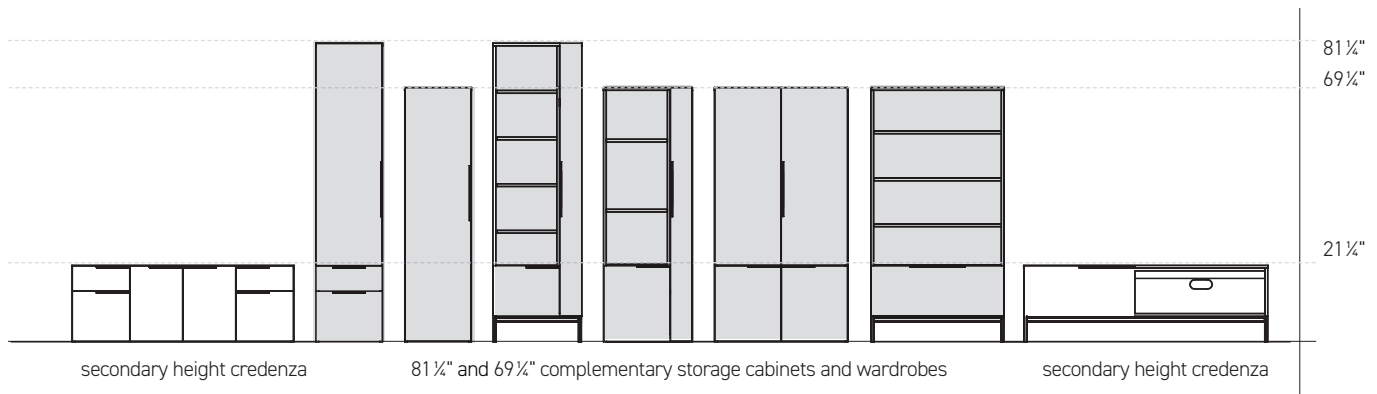
Flux Product Details

Storage Cabinets and Wardrobes

Flux offers a large range of storage cabinets to align with primary height credenzas (18", 24", 30" and 36" widths; with 81 1/4" and 69 1/4" heights).

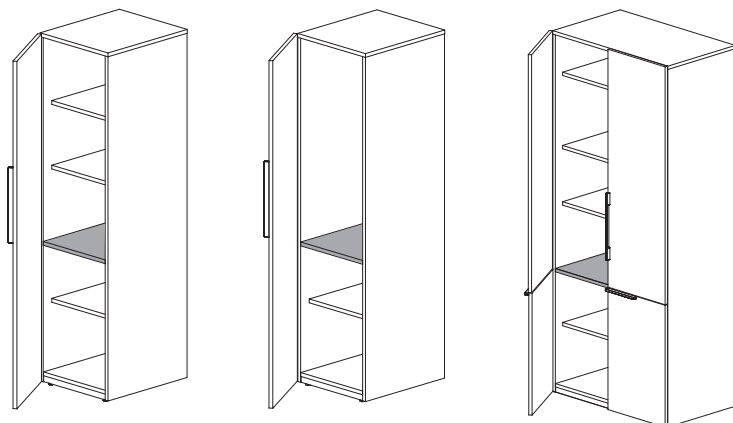


Flux offers a large range of storage cabinets to align with secondary height credenzas (18", 24", 30" and 36" widths; with 81 1/4" and 69 1/4" heights).



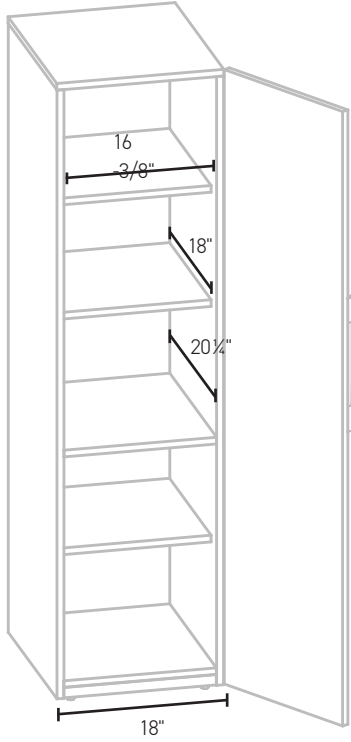
Fixed Shelf

All wardrobe cabinets with doors have a fixed shelf. All other shelves are adjustable.

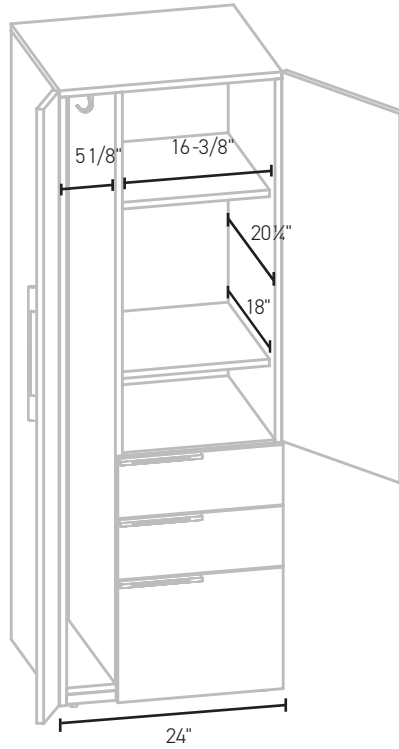


Flux Product Details

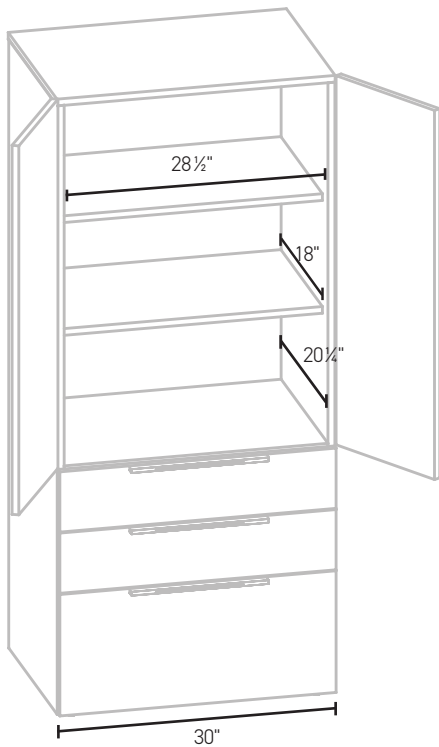
Vertical Storage Interior Dimensions



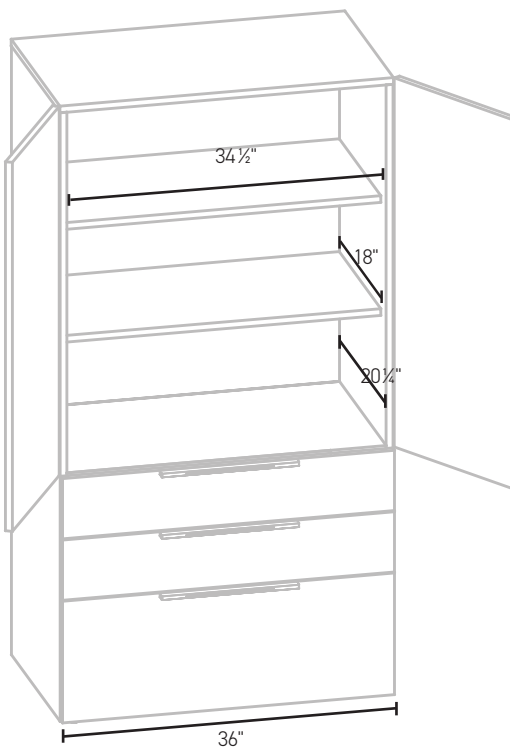
18" w full door storage cabinet



24" w side wardrobe with upper storage compartment



30" w upper storage compartment cabinet



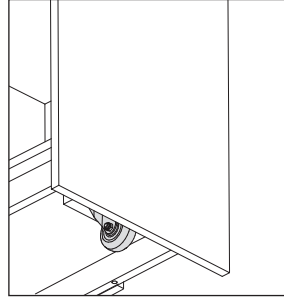
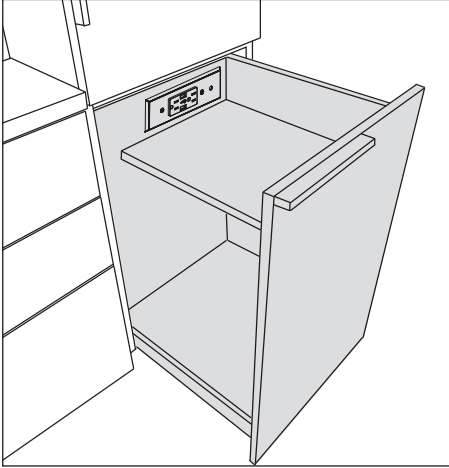
36" w upper storage compartment cabinet

Flux Product Details

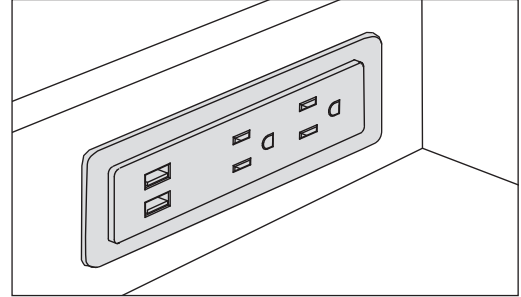
Storage Cabinet and Wardrobe Options

Pantry Drawer

A pantry pull out drawer is a standard offering in storage cabinets and wardrobes without legs. Drawers are equipped with a support caster on the front underside of the drawer.



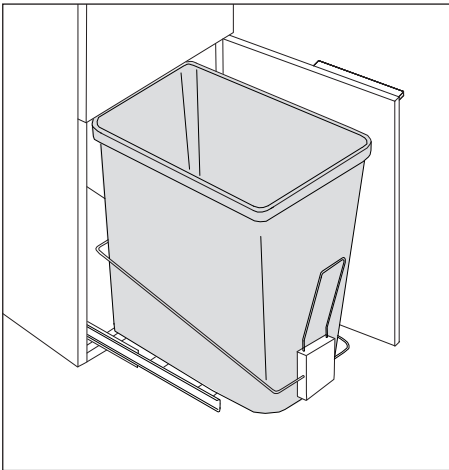
Underside of pantry pull out drawer highlighting support caster.



Optional electrical is available in the inside drawer and must be specified. Includes 2 grounded duplex and 2 USB charging outlets. Specify color.

Trash Cans

Storage Cabinets that work with primary height credenzas without legs, with lower hinge door storage, can be outfitted with a pull out trash can. Trash can is included.



CORPORATE OFFICE
225 CLAY STREET
JASPER, INDIANA 47546



800.457.4511 **TOLL FREE**
812.482.3204 **OFFICE**
812.482.1548 **FAX**



JSIFURNITURE.COM



CONTACT JSI

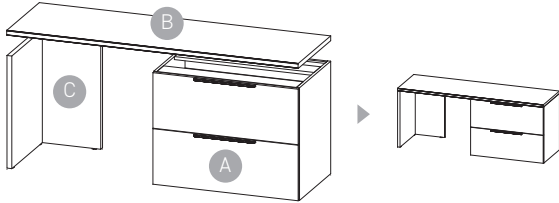
Flux Product Details

Modular Components

Modular items can be created by (1) adding tops to modular units or (2) using a credenza shell with a modular credenza shell pedestal. Hardware is included.

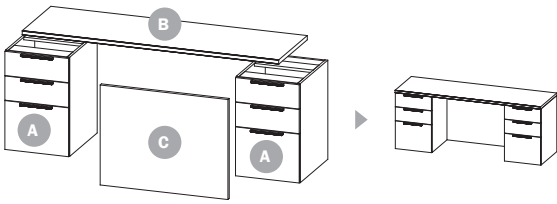
(1) Modular Top Construction

Example 1.1 – Open Corner Credenza



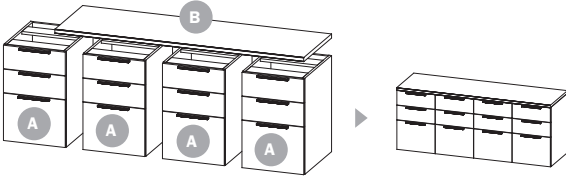
- A** = 36" w x 22" d modular lateral file
 - B** = 72" w x 22" d modular primary height credenza top
 - C** = 18" w x 22" d modular credenza wing end (left)
- (Open spans over 48" require special consideration, consult with Customer Service)

Example 2.1 – Kneespace Credenza



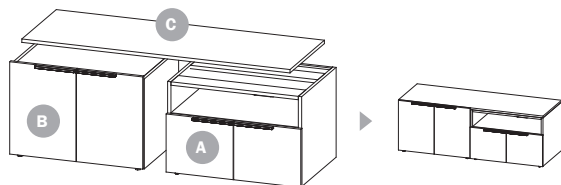
- A** = (qty 2) 18" w x 22" d modular pedestal
 - B** = 72" w x 22" d modular primary height credenza top
 - C** = 28" h x 36" w modular credenza modesty panel
- (Open spans over 48" require special consideration, consult with Customer Service)

Example 3.1 – Storage Credenza



- A** = (qty 4) 18" w x 22" d modular pedestal
- B** = 72" w x 22" d modular primary height credenza top

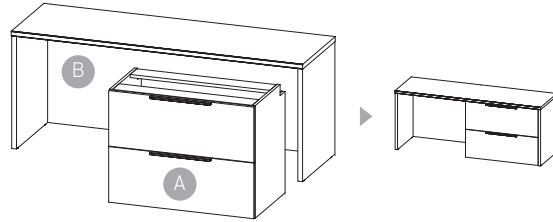
Example 4.1 – Secondary Height Credenza



- A** = 30" w x 22" d modular hinged door storage with open shelf
- B** = 30" w x 22" d modular hinged door storage
- C** = 60" w x 21" d modular secondary height credenza top

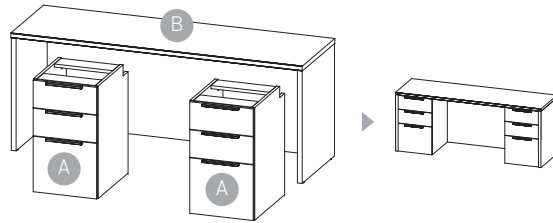
(2) Credenza Shell Construction

Example 1.2 – Open Corner Credenza

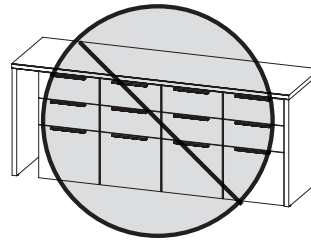


- A** = 36" w x 21" d modular credenza shell lateral file
 - B** = 72" w x 22" d credenza shell
- (Requires attachment to back of credenza and to underside of top)

Example 2.2 – Kneespace Credenza



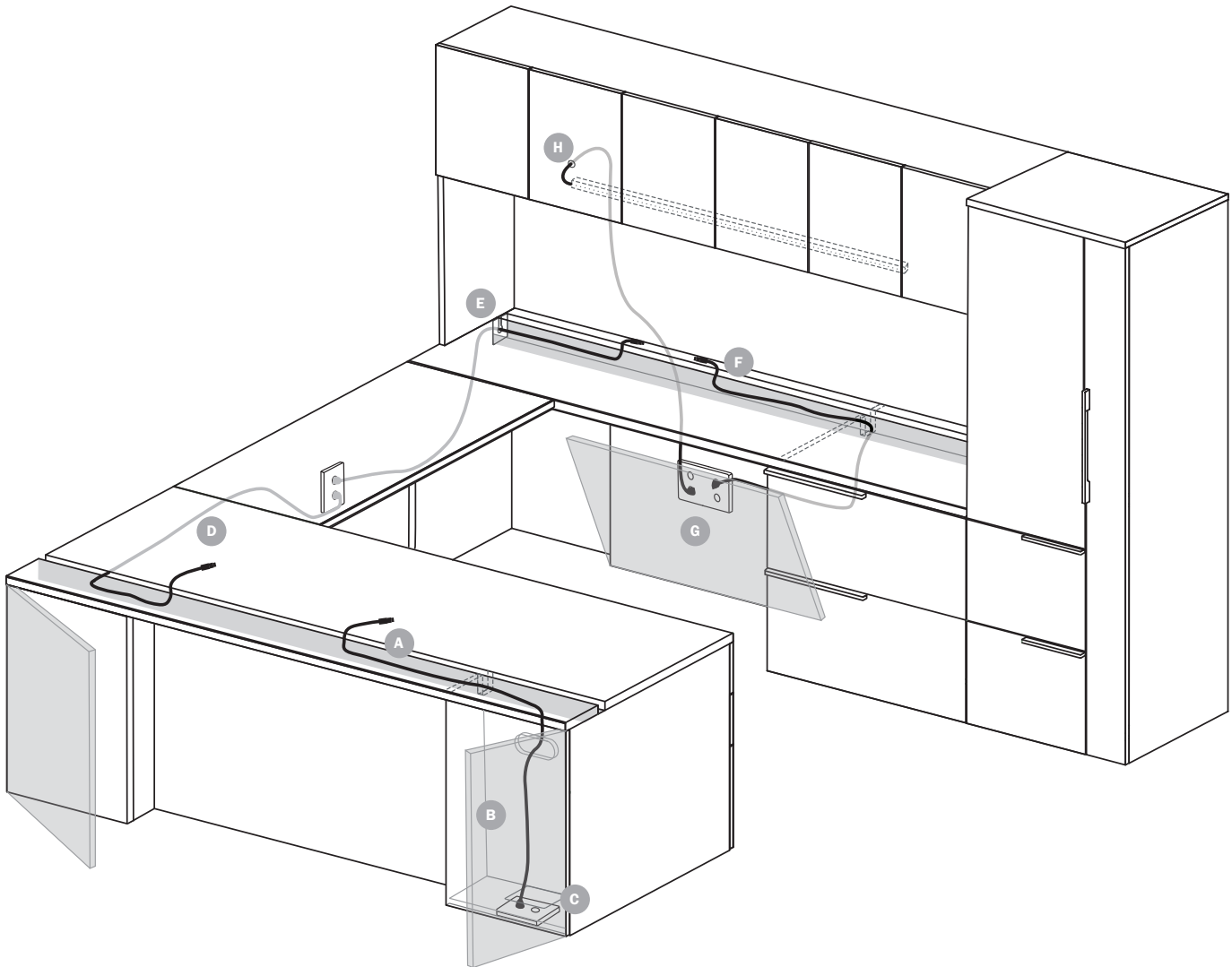
- A** = (qty 2) 18" w x 21" d modular credenza shell pedestal
 - B** = 72" w x 22" d credenza shell
- (Requires attachment to back of credenza and to underside of top)



There is no combination of modular components that will allow a credenza shell to be filled between end panels; kneespace or open corner is required.

Flux Technology

Power Access and Wire Management
Breakfront Pedestal Desk U Unit



Wiring Paths

- A** = Split top allows wires to fall off at any location on the desk top
- B** = Pedestal access doors allow access to wiring or power supply
- C** = Hole in cabinet bottom allows for floor monument access
- D** = Wiring can be routed through the desk, under bridge and back to the credenza
- E** = End panel grommet in credenza allows wiring to exit the layout
- F** = Split top allows wires to fall off at any location on the credenza top
- G** = Optional removable modesty panel allows for access to wall electrical outlet
- H** = 5/8" holes in back panel allow TL—LED tasklight wires to be routed down the exterior of overhead back



CORPORATE OFFICE
225 CLAY STREET
JASPER, INDIANA 47546



800.457.4511 **TOLL FREE**
812.482.3204 **OFFICE**
812.482.1548 **FAX**



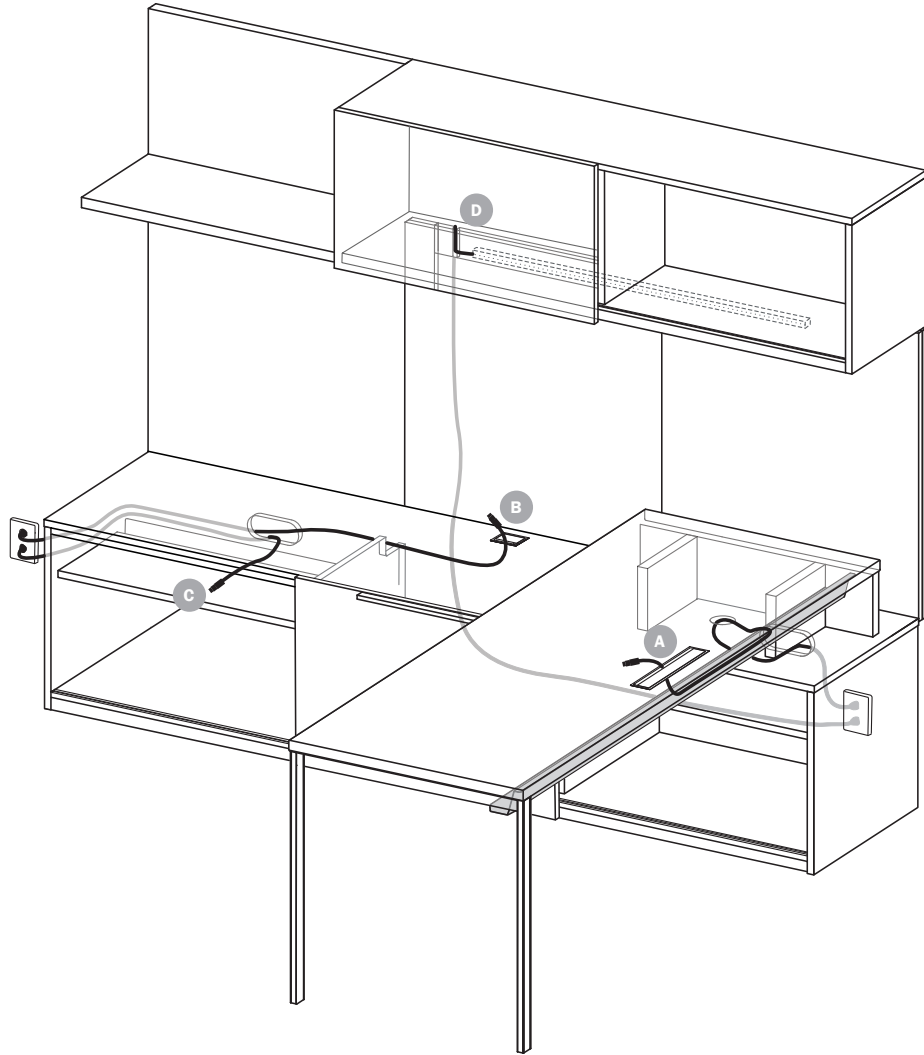
JSIFURNITURE.COM



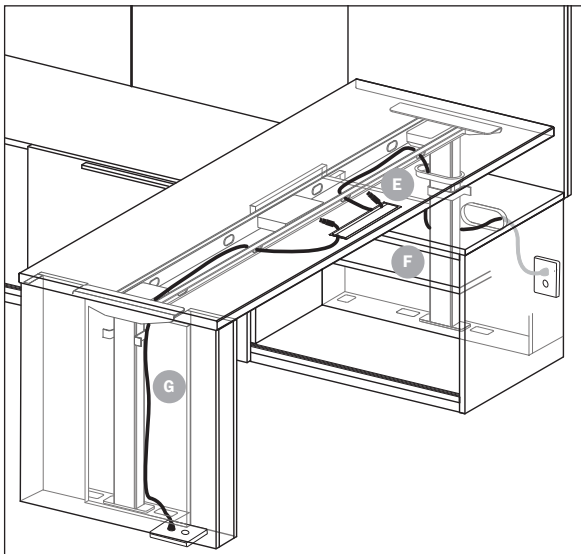
CONTACT JSI

Flux Technology

Power Access and Wire Management
Peninsula Desk with Secondary Storage



Adjustable Height Peninsula Desk with Secondary Storage



Wiring Paths

- A** = Optional 12" grommet allows wiring to run into optional wire channel, through the standard top credenza grommet and out the back panel's oval grommet
- B** = Optional 3" grommet allows wiring to enter the credenza compartment, move through the notched inside panels and out the back panel's oval grommet
- C** = Wiring for equipment can exit out the oval back grommet
- D** = Tasklight wiring can exit back side of the wall panels
- E** = Optional 12" grommet allows wiring to run into the adjustable height support rails then to a standard flexible wire manager into the lift mechanism compartment and out the back panel's oval grommet
- F** = Snap-on panel allows access to the lift mechanism compartment for access to the back oval grommet
- G** = Snap-on panel on the inside peninsula desk end allows access to the interior of the lift mechanism compartment to route wiring to floor monuments



CORPORATE OFFICE
225 CLAY STREET
JASPER, INDIANA 47546



800.457.4511 **TOLL FREE**
812.482.3204 **OFFICE**
812.482.1548 **FAX**



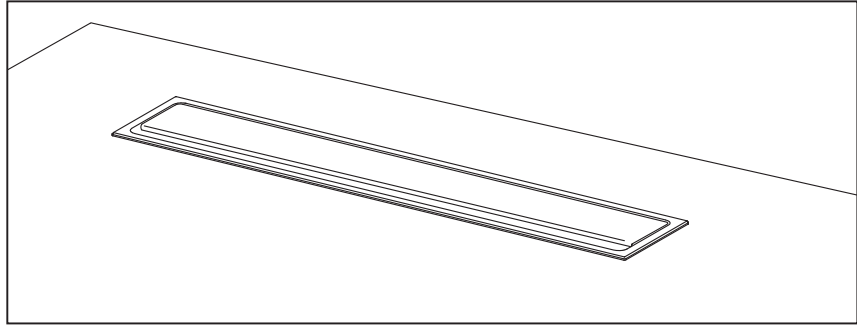
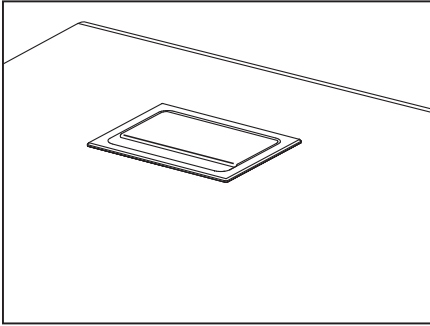
JSIFURNITURE.COM



CONTACT JSI

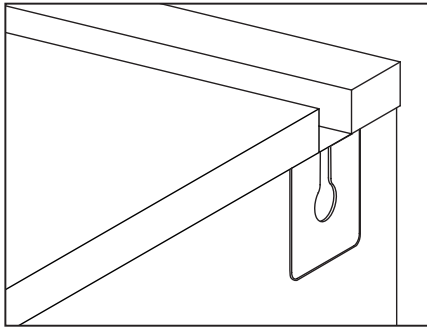
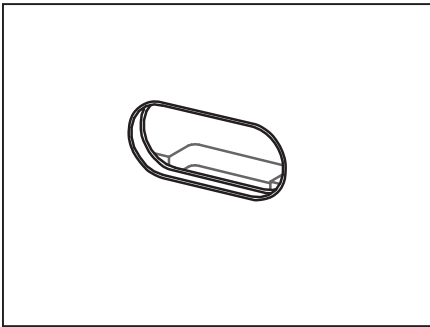
Flux Technology

Grommets and Worksurface Power



Optional Grommets

Flux offers two sizes of optional grommets: 3" (2½") and 12" (11½") grommets, available in arctic silver, soft nickel, matte black or pewter. Grommet locations are predetermined with a code; see the grommet and electrical locations in this section.

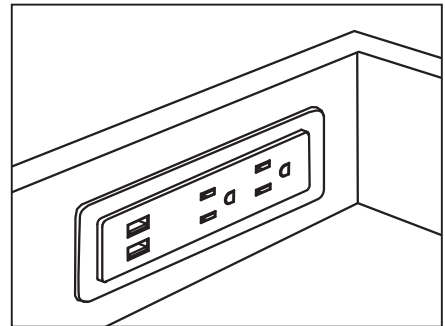
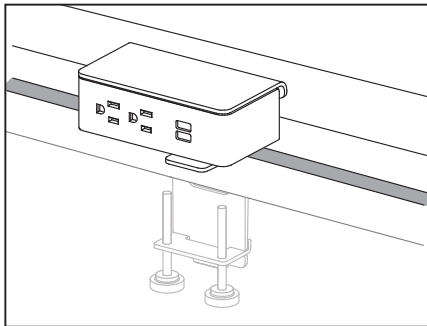
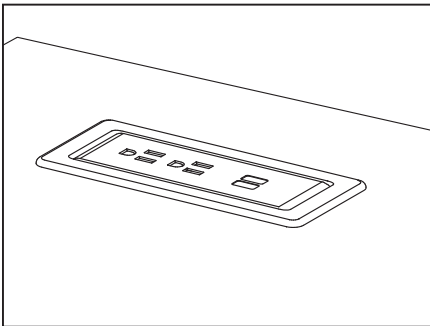


Oval Grommets

Oval grommets with a black trim ring are standard on the back of credenzas. See page 44 in the price list for actual location rules for the credenzas. These grommets can be eliminated at no charge. Must specify at the time of order entry.

Side Grommets

Magnetic side grommets are standard on credenza with split tops, and include an interior wire channel.



Optional EC26 Power Unit

Optional EC26 power unit can be located on tops, available in black or white; two AC 15 Amp 120 volt power outlets, one 2.4A reversible USB-A charging port & one 60 watt USB-C power delivery port. Locations are predetermined with a code; see the grommet and electrical locations in this section.

Optional EC28 Power Unit

Optional EC28 power unit can be clamped on desk or credenza with split tops, available in black or white; two AC 15 Amp 120 volt power outlets, one 2.4A reversible USB-A charging port & one 60 watt USB-C power delivery port; 10 ft. cord.

Optional EC26 Pantry Power Unit

Optional EC26 power unit can be specified in the pantry drawer, available in black or white; two AC 15 Amp 120 volt power outlets, one 2.4A reversible USB-A charging port & one 60 watt USB-C power delivery port.

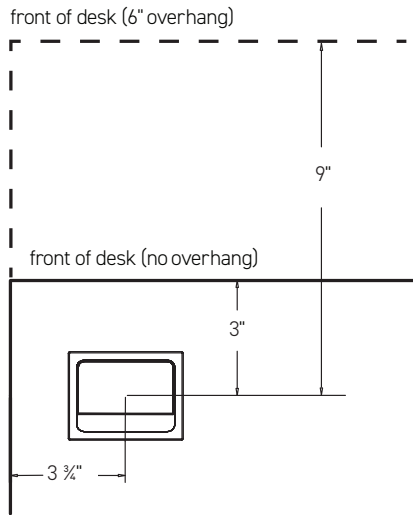


Flux Technology

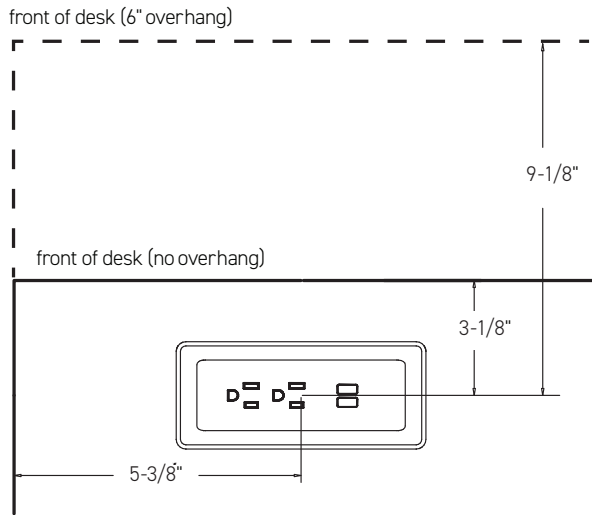
Dimensional Location of Grommets

The grommet locations below show standard dimensions for most products. If exact dimensional information is needed, contact Customer Service.

Desk (top view)



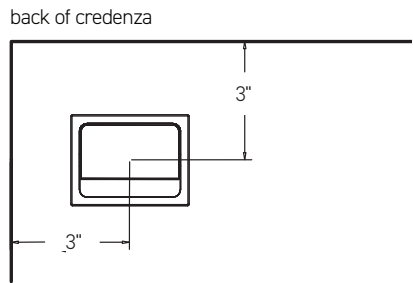
Grommet dimensions
 A and C positions on desk



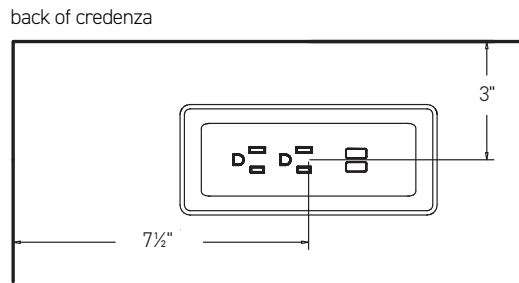
EC26 dimensions
 A and C positions on desk

Grommets or EC26 D position runs parallel to the side of the desk.

Credenza (top view)



Grommet dimensions
 A and C positions on desk

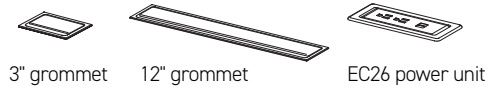


EC26 dimensions
 A and C positions on desk

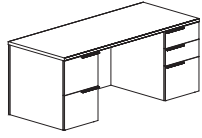
Flux Technology

Location of Grommets and Worksurface Electrical

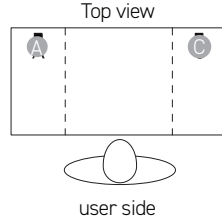
Reference the diagrams below to determine the letter code for specifying a desired grommet or power unit location. Available locations apply to all options listed within each category.



Double Pedestal Desks



user side shown



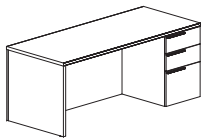
Available options:

- 3" grommet
- EC26 power unit

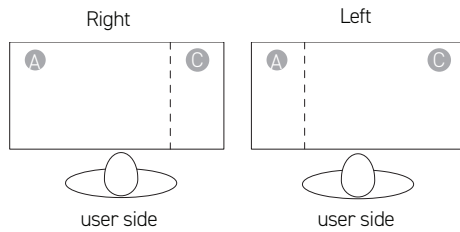
Available location codes:

- **A** or **C**
- Grommets are inset on desks with overhang tops

Single Pedestal Desks



right side, user side shown



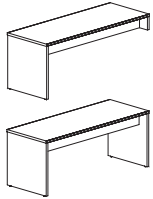
Available options:

- 3" grommet
- EC26 power unit

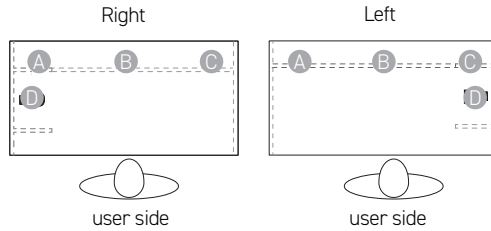
Available location codes:

- **A** or **C**
- Grommets are inset on desks with overhang tops

Peninsula Desks with End Panels



right side, approach view



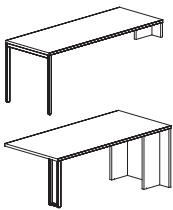
Available options:

- 3" grommet
- 12" grommet
- EC26 power unit

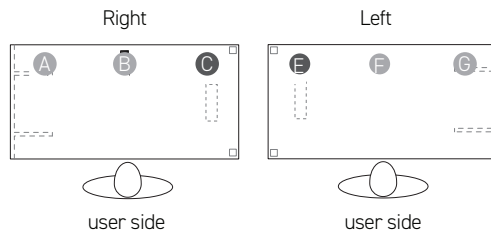
Available location codes:

- **A** **B** **C** or **D**

Peninsula Desks with End Frames or Post Frames



(frame post)
non-handed product – grommets hand units



Dark gray locations (C & E) are not available on peninsula desks with frame post

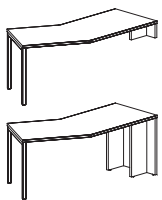
Available options:

- 3" grommet
- 12" grommet
- EC26 power unit

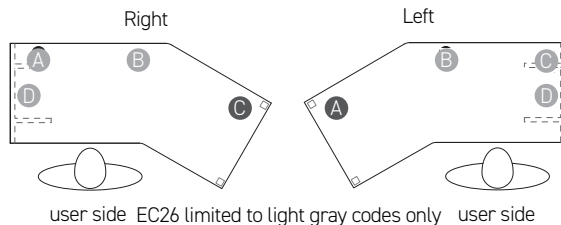
Available location codes:

- **A** **B** or **C** (right)
- **E** **F** or **G** (left)
- Locations apply to rectangular and arc shape tops with end frames

Boomerang Peninsula Desks with End Frames



right side, approach view



Available options:

- 3" grommet
- 12" grommet
- EC26 power unit (limited to 3 locations)

Available location codes:

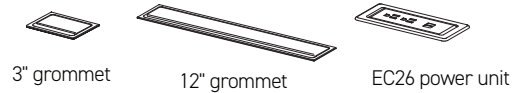
- **A** **B** **C** or **D**
- EC26 power unit may not be located at outer end of bend



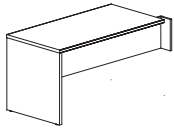
Flux Technology

Location of Grommets and Worksurface Electrical (continued)

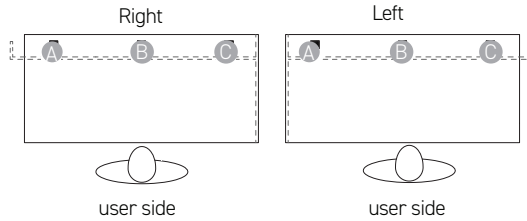
Available locations apply to all options listed within each category.



Rectangle Run-off Desks with End Panels



left side, approach view



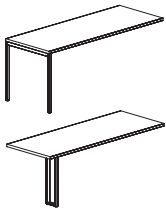
Available options:

- 3" grommet
- 12" grommet
- EC26 power unit

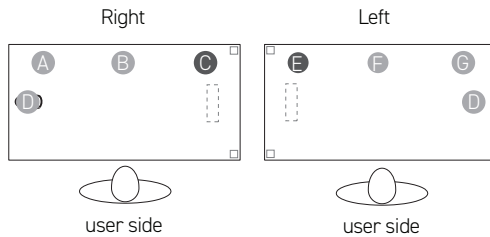
Available location codes:

- **A** **B** or **C**

Run-off Desks with End Frames or Post Frames



(frame post)
non-handed product –
grommets hand units



Dark gray locations (C & E) are not available
on peninsula desks with frame post

Available options:

- 3" grommet
- 12" grommet
- EC26 power unit

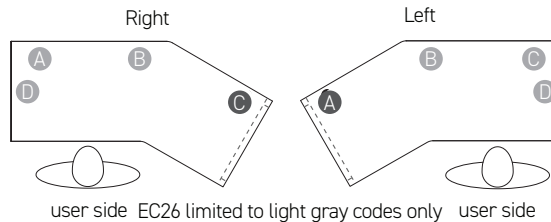
Available location codes:

- **A** **B** **C** or **D** (right)
- **E** **F** **G** or **D** (left)
- Locations apply to rectangular
and arc shape tops with end frames

Boomerang Run-off Desks with End Frames



right side, approach view



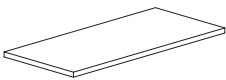
Available options:

- 3" grommet
- 12" grommet
- EC26 power unit (limited to 3 locations)

Available location codes:

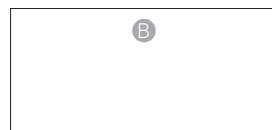
- **A** **B** **C** or **D**
- EC26 power unit may not be
located at outer end of bend

Bridge Tops



non-handed product

Top view



front

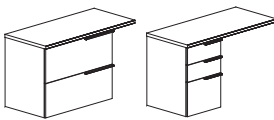
Available options:

- 3" grommet
- EC26 power unit

Available location codes:

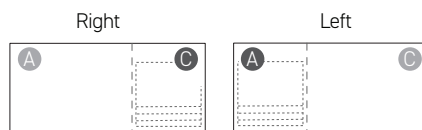
- **B**

Returns



left side, user view

Top view



front

front

EC26 limited to light gray codes only

Available options:

- 3" grommet
- EC26 power unit (one location only)

Available location codes:

- **A** or **C**
- EC26 power unit may not be
located above drawers



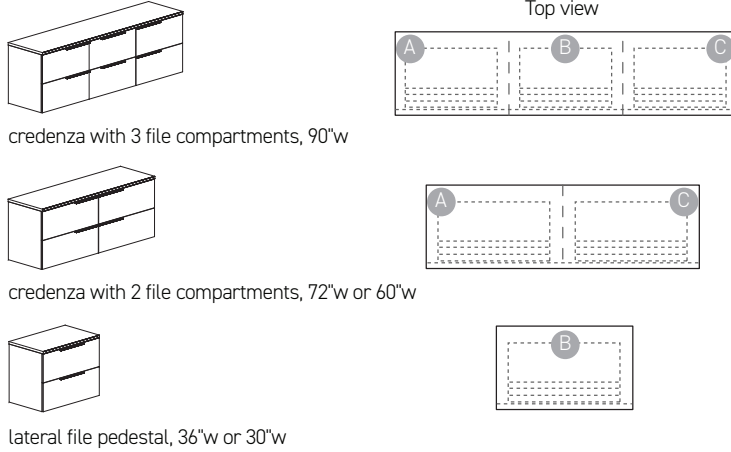
Flux Technology

Location of Grommets and Worksurface Electrical (continued)

Available locations apply to all credenza widths listed (primary or secondary height).
EC26 power units may not be located above drawers.



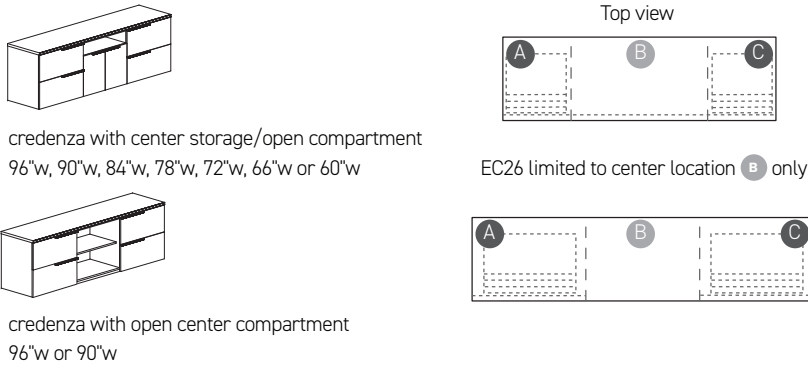
Lateral File Credenzas and Lateral File Pedestals



Available option:
• 3" grommet

Available location codes:
• **A** **B** or **C** (3 compartments)
• **A** or **C** (2 compartments)
• **B** (lateral file pedestal)
• Note: Grommets cannot be specified on secondary credenza at same location as the credenza mounts for a peninsula desk. See page 17 in the price list for additional information.

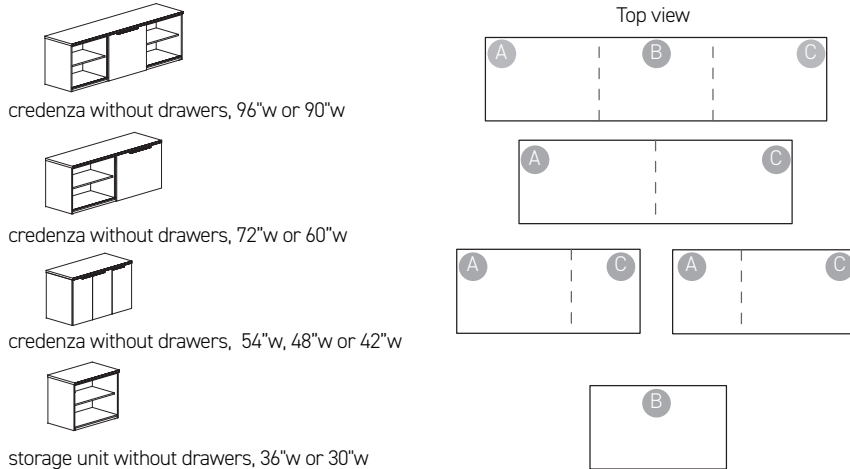
Storage Credenzas with Open Center Compartments



Available options:
• 3" grommet
• EC26 power unit (one location only)

Available location codes:
• **A** **B** or **C**
• EC26 power unit may not be located above drawers; limited to center location **B** only
• Note: Grommets or EC26 power units cannot be specified on secondary credenza at same location as the credenza mounts for a peninsula desk. See page 17 in the price list for additional information.

Credenzas with Open, Sliding or Hinge Door Compartments



Available options:
• 3" grommet
• EC26 power unit

Available location codes:
• **A** **B** or **C** (3 compartments)
• **A** or **C** (2 compartments)
• **B** (1 compartment)
• Note: Grommets or EC26 power units cannot be specified on secondary credenza at same location as the credenza mounts for a peninsula desk. See page 17 in the price list for additional information.

Flux Technology

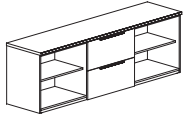
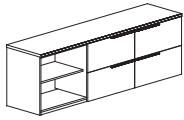
Location of Grommets and Worksurface Electrical (continued)

Available locations apply to all credenza widths listed (primary or secondary height).
EC26 power units may not be located above drawers.

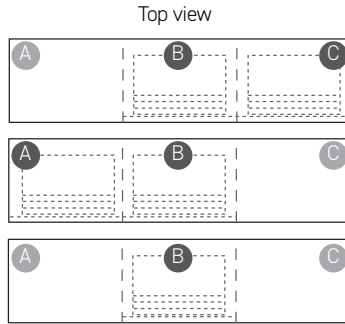


3" grommet EC26 power unit

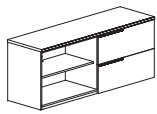
Lateral Storage Credenzas with End Open Compartment(s)



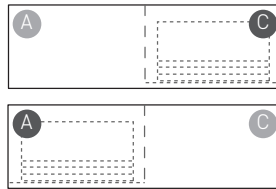
credenza with end open compartment(s)
96" w or 90" w



EC26 limited to open compartments only (light gray codes)



credenza with end open compartment
72" w, 66" w or 60" w



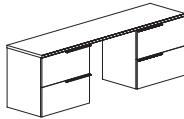
Available options:

- 3" grommet
- EC26 power unit (limited locations)

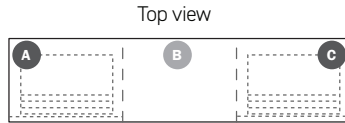
Available location codes:

- A B or C (3 compartments)
- A or C (2 compartments)
- EC26 power unit may not be located above drawers

Kneespace Credenzas



lateral drawer kneespace credenza
96" w or 90" w



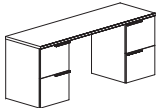
EC26 limited to center location B only

Available options:

- 3" grommet
- EC26 power unit (one location only)

Available location codes:

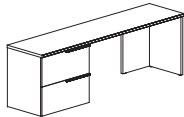
- A B or C
- EC26 power unit may not be located above drawers; limited to center location B only



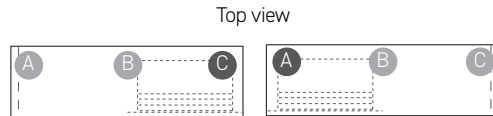
file drawer kneespace credenza
84" w, 78" w, 72" w, 66" w or 60" w



Lateral and File Credenzas



lateral drawer kneespace credenza
96" w, 90" w, 84" w, 78" w or 72" w



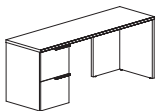
EC26 limited to open compartments only (light gray codes)

Available options:

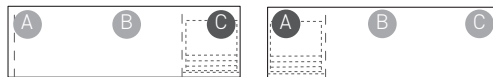
- 3" grommet
- EC26 power unit (limited locations)

Available location codes:

- A B or C
- EC26 power unit may not be located above drawers



file drawer kneespace credenza
84" w, 78" w, 72" w, 66" w or 60" w



CORPORATE OFFICE
225 CLAY STREET
JASPER, INDIANA 47546



800.457.4511 **TOLL FREE**
812.482.3204 **OFFICE**
812.482.1548 **FAX**



JSIFURNITURE.COM

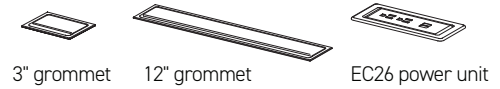


CONTACT JSI

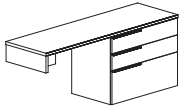
Flux Technology

Location of Grommets and Worksurface Electrical (continued)

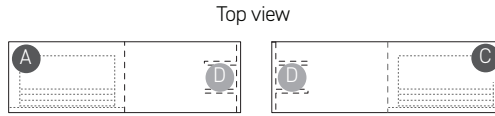
Available locations apply to all options listed within each category.
EC26 power units may not be located above drawers.



Peninsula Credenzas



peninsula credenza , user view
96"w, 90"w, 84"w, 78"w or 72"w



EC26 limited to location **D** only

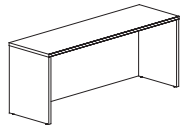
Available options:

- 3" grommet
- EC26 power unit (one location only)

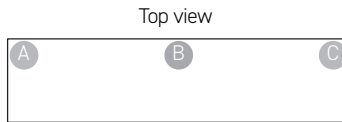
Available location codes:

- **A**, **C** or **D**
- EC26 power unit may not be located above drawers; limited to center location **D** only

Credenza Shells and Return Shells



credenza shell and return
72"w or 66"w

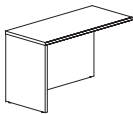


Available option:

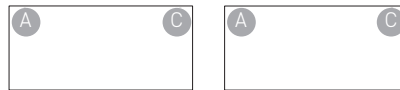
- 3" grommet

Available location codes:

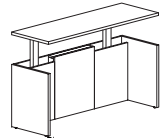
- **A**, **B** or **C** (72"w or 66"w units)
- **A** or **C** (units 60"w or less)



credenza shell and return
60"w, 54"w, 48"w or 42"w



Adjustable Height Credenza Extensions and Return Shells



adjustable height credenza extension
72"w, 66"w, 60"w, 54"w or 48"w

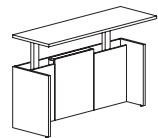


Available option:

- 3" grommet

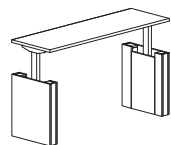
Available location codes:

- Codes apply only to adjustable height credenza extensions and adjustable height return shells.

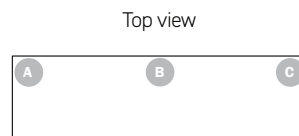


adjustable height return shell
72"w, 66"w, 60"w, 54"w or 48"w

Adjustable Height Credenza



adjustable height credenza
72"w, 66"w, 60"w, 54"w or 48"w



Available option:

- 3" grommet

Available location codes:

- Codes apply only to adjustable height credenza.

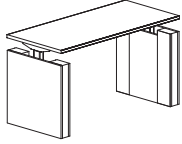
Flux Technology

Location of Grommets and Worksurface Electrical (continued)

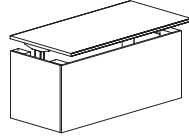
Available locations apply to all options listed within each category.



Adjustable Height Table Desks with End Panels

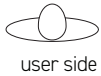
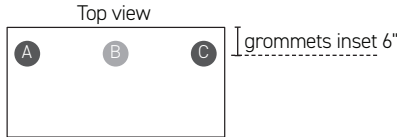


adjustable height table desks with end panels, approach view

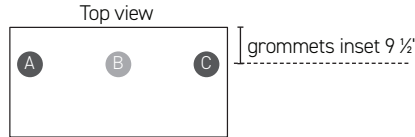


adjustable height table desks with end panels and modesty, approach view

- Available option:
- 3" grommet
 - 12" grommet (one location only)



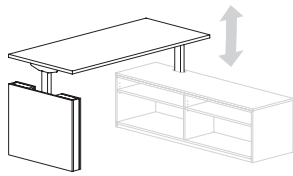
12" grommet limited to location **B** only



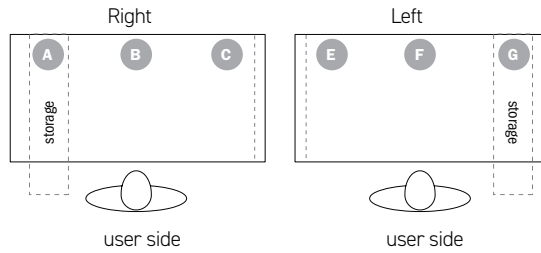
12" grommet limited to location **B** only

- Available location codes:
- **A**, **B** or **C**
 - 12" grommet limited to location **B** only
 - Grommets are inset 6" to accommodate desk overhang
 - Codes apply only to adjustable height table desks with end panels

Adjustable Height Peninsula Desk



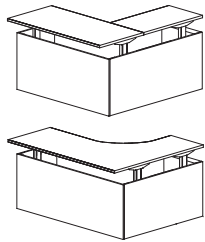
non-handed product - grommets hand units



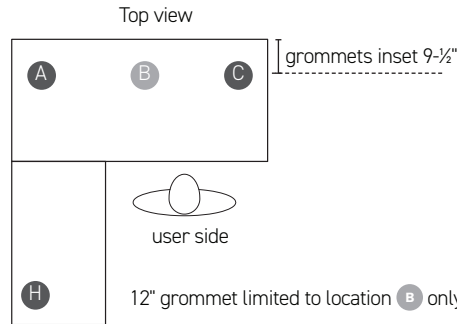
- Available option:
- 3" grommet

- Available location codes:
- **A**, **B** or **C** (right)
 - **E**, **F** or **G** (left)
 - Locations apply to rectangular adjustable height peninsula desk

Adjustable Height L Configuration Desks and Returns



adjustable height L desks, left unit, approach view



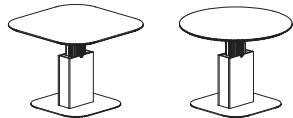
- Available option:
- 3" grommet
 - 12" grommet (one location only)

- Available location codes:
- **A**, **B** or **C** (desk)
 - **H** (return)
 - 12" grommet limited to location **B** only
 - Grommets are inset 6" to accommodate desk overhang

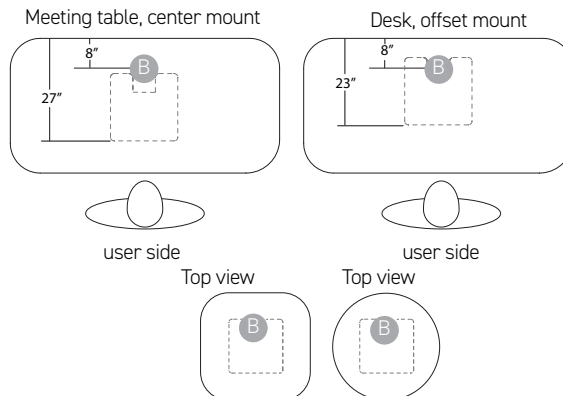
Adjustable Height Table Desks with Center Columns



adjustable height rectangular table desk with center column



adjustable height square and round table desks with center column



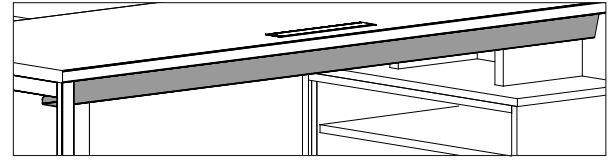
- Available option:
- 3" grommet (grommets are off-center)

- Available location codes:
- **B**
 - Dimensional information for rectangular table desk is for a unit with a 36"d x 72"w top. Base can be mounted for a meeting table or a desk; grommet location remains the same on both mounting locations.

Flux Technology

Metal Wire Manager for Peninsula Desks and Run-off Desks

The wire manager is available in multiple lengths and four finishes: matte black, pewter, arctic silver and soft nickel. Use the charts on the following two pages to determine the appropriate wire manager model number for the selected peninsula or run-off desk.



Recommended Size with Peninsula or Run-off Desk

Laminate/Veneer Model Number	Wire Manager Model Number	
	Eased Edge	Knife Edge
FLT/FLV2848ARCTP	FLB0438MWM	FLB0438MWM
FLT/FLV2848RRTN	FLB0444MWM	FLB0444MWM
FLT/FLV2848RRTP	FLB0444MWM	FLB0444MWM
FLT/FLV2848TD	FLB0444MWM	FLB0438MWM
FLT/FLV2854ARCTP	FLB0444MWM	FLB0444MWM
FLT/FLV2854RDEPL/R	FLB0450MWM	NA
FLT/FLV2854RRTN	FLB0450MWM	FLB0450MWM
FLT/FLV2854RRTP	FLB0450MWM	FLB0450MWM
FLT/FLV2854TD	FLB0450MWM	FLB0444MWM
FLT/FLV2860ARCTP	FLB0450MWM	FLB0450MWM
FLT/FLV2860BMTNL/R	FLB0432MWM	FLB0432MWM
FLT/FLV2860RDEPL/R	FLB0456MWM	NA
FLT/FLV2860RRTN	FLB0456MWM	FLB0456MWM
FLT/FLV2860RRTP	FLB0456MWM	FLB0456MWM
FLT/FLV2860TD	FLB0456MWM	FLB0450MWM
FLT/FLV2866ARCTP	FLB0456MWM	FLB0456MWM
FLT/FLV2866BMTNL/R	FLB0432MWM	FLB0432MWM
FLT/FLV2866DTEPL/R	FLB0456MWM	NA
FLT/FLV2866PARCP	FLB0456MWM	FLB0456MWM
FLT/FLV2866PARCPEP	FLB0456MWM	NA
FLT/FLV2866PBMNEPL/R	FLB0432MWM	NA
FLT/FLV2866PBMNL/R	FLB0432MWM	FLB0432MWM
FLT/FLV2866PDEPL	FLB0462MWM	NA
FLT/FLV2866PDEPPL/R	FLB0462MWM	NA
FLT/FLV2866PDEPR	FLB0462MWM	NA
FLT/FLV2866PDN	FLB0462MWM	FLB0456MWM
FLT/FLV2866PDNEP	FLB0462MWM	NA
FLT/FLV2866PDP	FLB0462MWM	FLB0456MWM
FLT/FLV2866PDPEP	FLB0462MWM	NA
FLT/FLV2866PDTEPL/R	FLB0456MWM	NA
FLT/FLV2866RDEPL/R	FLB0462MWM	NA
FLT/FLV2866RRTN	FLB0462MWM	FLB0462MWM
FLT/FLV2866RRTP	FLB0462MWM	FLB0462MWM
FLT/FLV2866TD	FLB0462MWM	FLB0456MWM
FLT/FLV2872ARCTP	FLB0462MWM	FLB0462MWM
FLT/FLV2872BMTNL/R	FLB0438MWM	FLB0438MWM
FLT/FLV2872DTEPL/R	FLB0462MWM	NA

Laminate/Veneer Model Number	Wire Manager Model Number	
	Eased Edge	Knife Edge
FLT/FLV2872PARCP	FLB0462MWM	FLB0462MWM
FLT/FLV2872PARCPEP	FLB0462MWM	NA
FLT/FLV2872PBMNEPL/R	FLB0438MWM	NA
FLT/FLV2872PBMNL/R	FLB0438MWM	FLB0438MWM
FLT/FLV2872PDEPL	FLB0468MWM	NA
FLT/FLV2872PDEPPL/R	FLB0468MWM	NA
FLT/FLV2872PDEPR	FLB0468MWM	NA
FLT/FLV2872PDN	FLB0468MWM	FLB0462MWM
FLT/FLV2872PDNEP	FLB0468MWM	NA
FLT/FLV2872PDP	FLB0468MWM	FLB0462MWM
FLT/FLV2872PDPEP	FLB0468MWM	NA
FLT/FLV2872PDTEPL/R	FLB0462MWM	NA
FLT/FLV2872RDEPL/R	FLB0468MWM	NA
FLT/FLV2872RRTN	FLB0468MWM	FLB0468MWM
FLT/FLV2872RRTP	FLB0468MWM	FLB0468MWM
FLT/FLV2872TD	FLB0468MWM	FLB0462MWM
FLT/FLV2878DTEPL/R	FLB0468MWM	NA
FLT/FLV2878PARCP	FLB0468MWM	FLB0468MWM
FLT/FLV2878PARCPEP	FLB0468MWM	NA
FLT/FLV2878PBMNEPL/R	FLB0444MWM	NA
FLT/FLV2878PBMNL/R	FLB0444MWM	FLB0444MWM
FLT/FLV2878PDEPL	FLB0474MWM	NA
FLT/FLV2878PDEPPR	FLB0474MWM	NA
FLT/FLV2878PDEPR	FLB0474MWM	NA
FLT/FLV2878PDN	FLB0474MWM	FLB0468MWM
FLT/FLV2878PDNEP	FLB0474MWM	NA
FLT/FLV2878PDP	FLB0474MWM	FLB0468MWM
FLT/FLV2878PDPEP	FLB0474MWM	NA
FLT/FLV2878PDTEPL/R	FLB0468MWM	NA
FLT/FLV2884DTEPL/R	FLB0474MWM	NA
FLT/FLV2884PARCP	FLB0474MWM	FLB0474MWM
FLT/FLV2884PARCPEP	FLB0474MWM	NA
FLT/FLV2884PBMNEPL/R	FLB0450MWM	NA
FLT/FLV2884PBMNL/R	FLB0450MWM	FLB0450MWM
FLT/FLV2884PDEPL	FLB0480MWM	NA
FLT/FLV2884PDEPPL/R	FLB0480MWM	NA
FLT/FLV2884PDEPR	FLB0480MWM	NA



Flux Technology

Recommended Size with Peninsula or Run-off Desk (continued)

Laminate/Veneer Model Number	Wire Manager Model Number	
	Eased Edge	Knife Edge
FLT/FLV2884PDN	FLB0480MWM	FLB0474MWM
FLT/FLV2884PDNEP	FLB0480MWM	NA
FLT/FLV2884PDP	FLB0480MWM	FLB0474MWM
FLT/FLV2884PDPEP	FLB0480MWM	NA
FLT/FLV2884PDTEPL/R	FLB0474MWM	NA
FLT/FLV3448ARCTP	FLB0438MWM	FLB0438MWM
FLT/FLV3448RRTN	FLB0444MWM	FLB0444MWM
FLT/FLV3448RRTP	FLB0444MWM	FLB0444MWM
FLT/FLV3454ARCTP	FLB0444MWM	FLB0444MWM
FLT/FLV3454RDEPL/R	FLB0450MWM	NA
FLT/FLV3454RRTN	FLB0450MWM	FLB0450MWM
FLT/FLV3454RRTP	FLB0450MWM	FLB0450MWM
FLT/FLV3460ARCTP	FLB0450MWM	FLB0450MWM
FLT/FLV3460BMTNL/R	FLB0432MWM	FLB0432MWM
FLT/FLV3460RDEPL/R	FLB0456MWM	NA
FLT/FLV3460RRTN	FLB0456MWM	FLB0456MWM
FLT/FLV3460RRTP	FLB0456MWM	FLB0456MWM
FLT/FLV3466ARCTP	FLB0456MWM	FLB0456MWM
FLT/FLV3466BMTNL/R	FLB0432MWM	FLB0432MWM
FLT/FLV3466DTEPL/R	FLB0456MWM	NA
FLT/FLV3466PARCP	FLB0456MWM	FLB0456MWM
FLT/FLV3466PARCPEP	FLB0456MWM	NA
FLT/FLV3466PBMNEPL/R	FLB0432MWM	NA
FLT/FLV3466PBMNL/R	FLB0432MWM	FLB0432MWM
FLT/FLV3466PDEPL	FLB0462MWM	NA
FLT/FLV3466PDEPPL/R	FLB0462MWM	NA
FLT/FLV3466PDEPR	FLB0462MWM	NA
FLT/FLV3466PDN	FLB0462MWM	FLB0456MWM
FLT/FLV3466PDNEP	FLB0462MWM	NA
FLT/FLV3466PDP	FLB0462MWM	FLB0456MWM
FLT/FLV3466PDPEP	FLB0462MWM	NA
FLT/FLV3466PDTEPL/R	FLB0456MWM	NA
FLT/FLV3466RDEPL/R	FLB0462MWM	NA
FLT/FLV3466RRTN	FLB0462MWM	FLB0462MWM
FLT/FLV3466RRTP	FLB0462MWM	FLB0462MWM
FLT/FLV3466TD	FLB0462MWM	FLB0456MWM
FLT/FLV3472ARCTP	FLB0462MWM	FLB0462MWM
FLT/FLV3472BMTNL/R	FLB0438MWM	FLB0438MWM
FLT/FLV3472DTEPL/R	FLB0462MWM	NA
FLT/FLV3472PARCP	FLB0462MWM	FLB0462MWM
FLT/FLV3472PARCPEP	FLB0462MWM	NA

Laminate/Veneer Model Number	Wire Manager Model Number	
	Eased Edge	Knife Edge
FLT/FLV3472PBMNEPL/R	FLB0438MWM	NA
FLT/FLV3472PBMNL/R	FLB0438MWM	FLB0438MWM
FLT/FLV3472PDEPL	FLB0468MWM	NA
FLT/FLV3472PDEPPL/R	FLB0468MWM	NA
FLT/FLV3472PDEPR	FLB0468MWM	NA
FLT/FLV3472PDN	FLB0468MWM	FLB0462MWM
FLT/FLV3472PDNEP	FLB0468MWM	NA
FLT/FLV3472PDP	FLB0468MWM	FLB0462MWM
FLT/FLV3472PDPEP	FLB0468MWM	NA
FLT/FLV3472PDTEPL/R	FLB0462MWM	NA
FLT/FLV3472RDEPL/R	FLB0468MWM	NA
FLT/FLV3472RRTN	FLB0468MWM	FLB0468MWM
FLT/FLV3472RRTP	FLB0468MWM	FLB0468MWM
FLT/FLV3472TD	FLB0468MWM	FLB0462MWM
FLT/FLV3478DTEPL/R	FLB0468MWM	NA
FLT/FLV3478PARCP	FLB0468MWM	FLB0468MWM
FLT/FLV3478PARCPEP	FLB0468MWM	NA
FLT/FLV3478PBMNEPL/R	FLB0444MWM	NA
FLT/FLV3478PBMNL/R	FLB0444MWM	FLB0444MWM
FLT/FLV3478PDEPL	FLB0474MWM	NA
FLT/FLV3478PDEPPL/R	FLB0474MWM	NA
FLT/FLV3478PDEPR	FLB0474MWM	NA
FLT/FLV3478PDN	FLB0474MWM	FLB0468MWM
FLT/FLV3478PDNEP	FLB0474MWM	NA
FLT/FLV3478PDP	FLB0474MWM	FLB0468MWM
FLT/FLV3478PDPEP	FLB0474MWM	NA
FLT/FLV3478PDTEPL/R	FLB0468MWM	NA
FLT/FLV3484DTEPL/R	FLB0474MWM	NA
FLT/FLV3484PARCP	FLB0474MWM	FLB0474MWM
FLT/FLV3484PARCPEP	FLB0474MWM	NA
FLT/FLV3484PBMNEPL/R	FLB0450MWM	NA
FLT/FLV3484PBMNL/R	FLB0450MWM	FLB0450MWM
FLT/FLV3484PDEPL	FLB0480MWM	NA
FLT/FLV3484PDEPPL/R	FLB0480MWM	NA
FLT/FLV3484PDEPR	FLB0480MWM	NA
FLT/FLV3484PDN	FLB0480MWM	FLB0474MWM
FLT/FLV3484PDNEP	FLB0480MWM	NA
FLT/FLV3484PDP	FLB0480MWM	FLB0474MWM
FLT/FLV3484PDPEP	FLB0480MWM	NA
FLT/FLV3484PDTEPL/R	FLB0474MWM	NA



CORPORATE OFFICE
225 CLAY STREET
JASPER, INDIANA 47546



800.457.4511 **TOLL FREE**
812.482.3204 **OFFICE**
812.482.1548 **FAX**



JSIFURNITURE.COM



CONTACT JSI