



OVERVIEW

The Cascade series provides storage for a wide variety of items. The Mid-Cabinet is a medium width, medium height cabinet in the Cascade grouping, measuring in at 43 5/16" tall, 28 5/8" wide and 19" deep.

MATERIALS

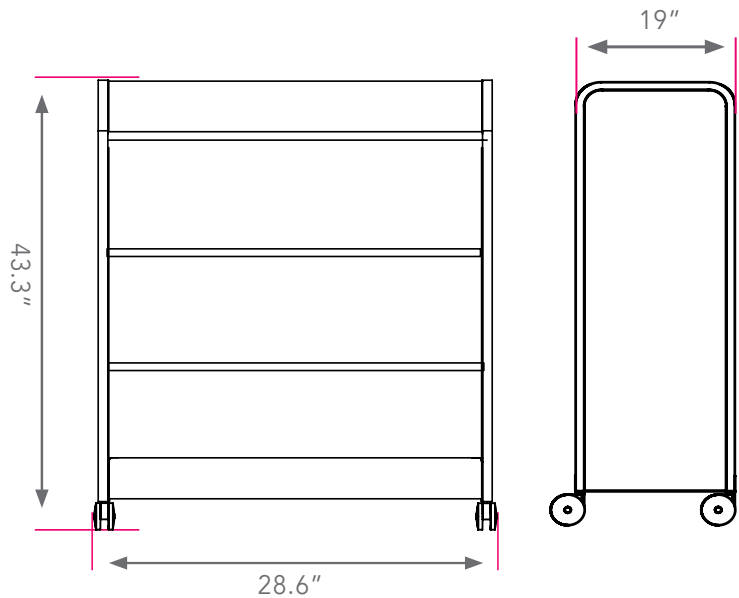
The end panels are made of 18-gauge 1" square tubing, welded flush to an 18-gauge end panel. The inside of each end panel is reinforced by 22-gauge hat channels. These hat channels are dual purpose: added strength and for tote rail shelf mounting. The dome top is 18-gauge formed and welded construction, bolted to each end panel and rear panel with a total of 10 machine screw fasteners. The base is a durable 18-gauge steel construction formed and welded to support the entire weight of the unit squarely. Underneath is a heavy welded hat channel reinforcement. The base shelf is attached to both end panels using 4 machine screw fasteners. The rear panel is 18-gauge steel reinforced with up to three vertical hat channels. Two grommet holes (a lower and upper) are punched for convenient wire management and electronic storage. Casters are 4" in diameter, with 2 locking. Optional glides are 3/8" threaded stem.

Riser shelves are sized perfectly for each cabinet size. These riser shelves are made of 3/4" high density particle board with your choice of laminate and bullet T-Mold color. Shelf is suspended 6 inches above the dome top with 4 riser shelf handles, which measure 1 1/2" diameter and come in Platinum powder coat paint finish (0.03" thickness). These riser shelf handles bolt on from underneath the dome top with a hefty 3" washer.

The optional doors include a secure and reliable locking mechanism, which engages lock rods into the dome top and the base shelf. Doors also come with urethane ergonomic and modern door handles of your color choice. The fully hinged doors articulate 270 degrees, free of obstruction.

DIMENSIONS

Model	Description	D"	W"	H"	WT
Standard Width (SW) Totes					
510016000P	Open w/sixteen 3" SW totes	19	29	43.3	97
520016000P	Doors w/sixteen 3" SW totes	19	29	43.3	113
510V16000P	Open w/sixteen 3" SW totes & riser	19	29	50	117
520V16000P	Doors w/sixteen 3" SW totes & riser	19	29	50	123
510008040P	Open w/eight 3" and four 6" SW totes	19	29	43.3	95
520008040P	Doors w/eight 3" and four 6" SW totes	19	29	43.3	111
510V08040P	Open w/eight 3" and four 6" SW totes & riser	19	29	50	115
520V08040P	Doors w/eight 3" and four 6" SW totes & riser	19	29	50	121
510000080P	Open w/eight 6" SW totes	19	29	43.3	95
520000080P	Doors w/eight 6" SW totes	19	29	43.3	111
510V00080P	Open w/eight 6" SW totes & riser	19	29	50	115
520V00080P	Doors w/eight 6" SW totes & riser	19	29	50	121



STANDARD LAMINATE OPTIONS

Want to specify a different laminate?

No problem. If you have 20 or more tops of the same color -60 or -38 there is no upcharge. Have 20 or less? We can quote for you with the Wilsonart code and – finish style. We can specify other laminates – call to inquire and get a quote.

SUGGESTED LAMINATE OPTIONS *Cascade Riser Shelves*



All 20 of the standard laminates are -60 finish, if you need to match a laminate from a previous year, please let us know on your order (example Pewter Mesh 4878-38, our standard is -60).

When the WilsonArt Laminate code includes a "Y", "K", "-12" "-78", "Aeon" etc, these are special laminates with an upcharge, even when it contains -38 or -60.

STANDARD END PANEL AND RISER EDGE COLOR OPTIONS



FRAME COLOR



END PANEL AND RISER EDGE COLOR OPTIONS WITH ADDITIONAL LEAD TIME

