

# WOODWORKS® Grille – Classics

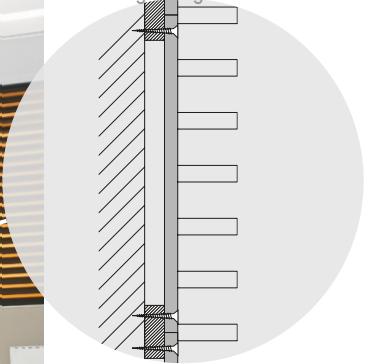
## Solid Wood Wall Panels



**FAST 134**  
Select Items Ship Fast  
[armstrongceilings.com/fast134](http://armstrongceilings.com/fast134)



CAD/Revit® drawings at:  
[armstrongceilings.com/cadrevit](http://armstrongceilings.com/cadrevit)



WoodWorks Grille – Classics wall installation

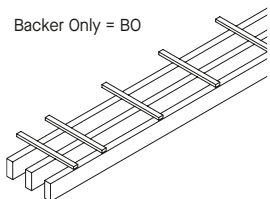
These warm, natural wood walls are offered in a variety of finishes and design options.

### KEY SELECTION ATTRIBUTES

- 10 new standard finishes on solid poplar are tinted to replicate naturally occurring wood tones
- Panels are part of the Sustain® portfolio and meet the most stringent industry sustainability compliance standards today
- Coordinating solid wood trims in 4" and 6" depths
- The natural warmth of wood can contribute to biophilic designs and building certification standards like the WELL™ v2 "Nature and Place" feature
- Select products included in the FAST134 program – ready to ship in 4 weeks or less
- CleanAssure™ family of products – includes disinfectable panels, suspension systems, and trim
- Custom slat sizes and finishes available for every project
- Install in the ceiling, on the wall, or create ceiling-to-wall transitions
- FSC® Certified wood available as a premium quoted option (FSC-C007626)
- Made in the U.S.A. of domestic and global content
- Build America, Buy America (BABA) Act compliant

### DETAILS

Backer Only = BO



# WOODWORKS® Grille – Classics

## Solid Wood Wall Panels



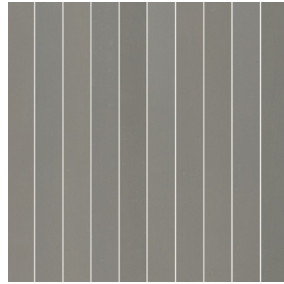
LEED V5		COMMON MATERIALS FRAMEWORK	
Human Health	Declare Label HPD	Climate Health	EPD
	3rd Party CDPH	Ecosystem Health	EPD
		Circular Economy	✓
OCCUPANT EXPERIENCE		Acoustics	✓

### FINISH RANGES ON SOLID POPLAR

Our tinted finishes allow the natural character of the poplar to shine through. The images here reflect the visual range that is likely within our product. Installers will want to lay out panels before installing to achieve preferred aesthetic.



Bleached Grey (GBG)



Classic Grey (GCG)



Carbon Grey (GCB)



Rich Mahogany (GRY)



Antique Oak (GAO)



Red Oak (GRK)



English Chestnut (GEC)



Golden Maple (GGM)



Natural Walnut (GWN)

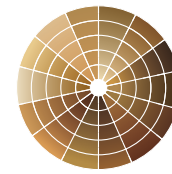


Warm Oak (GWO)



Forest Walnut (GFW)

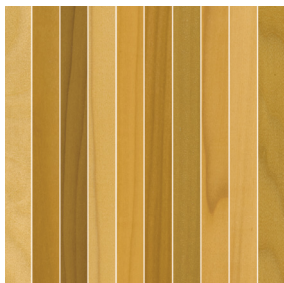
### CUSTOM FINISHES



Custom Wood Species and Finishes Available

Panel backers are black. Made-to-order, custom backer colors available.

### LEGACY FINISHES



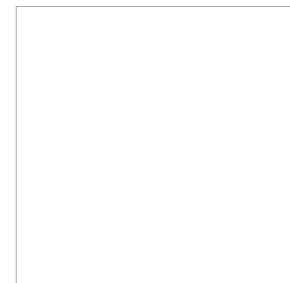
Maple (GMP)



Light Cherry (GLC)



Dark Cherry (GDC)



White (GWH)

Due to printing limitations, shade may vary from actual product.



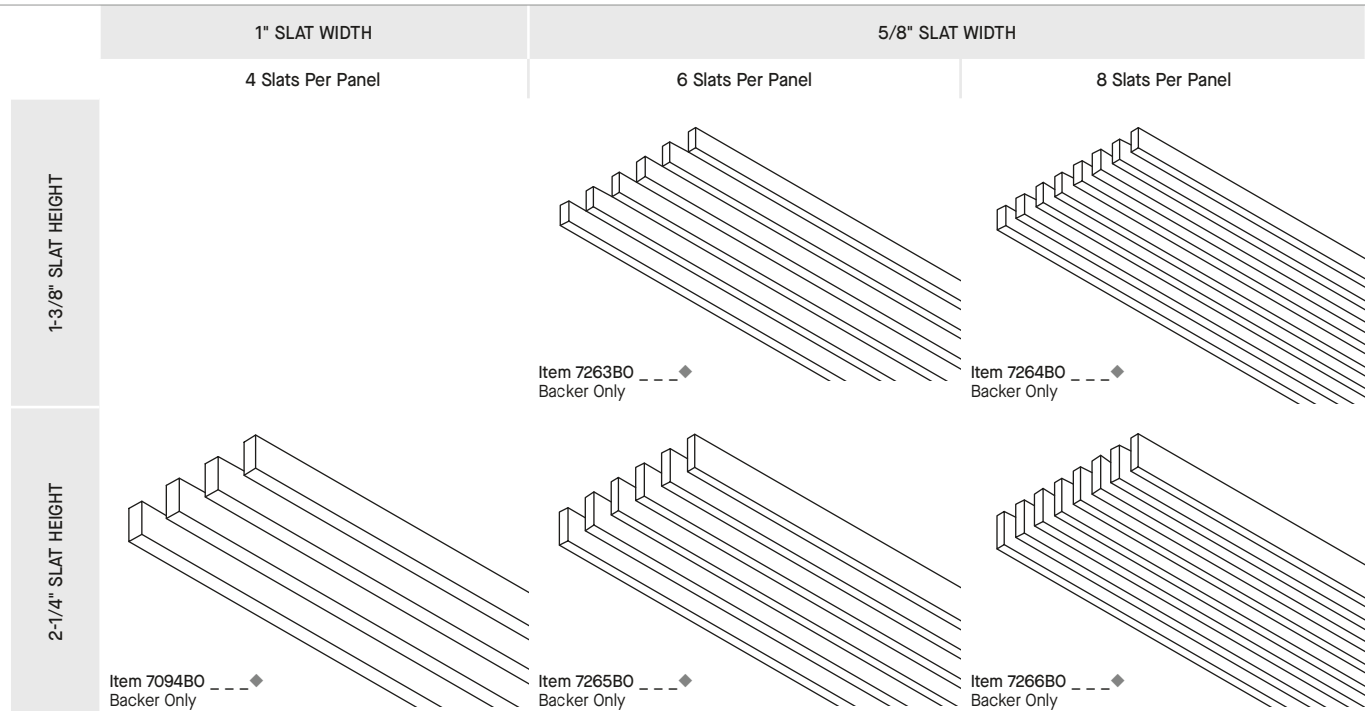
# WOODWORKS® Grille – Classics

## Solid Wood Wall Panels



<b>LEED V5</b>		
COMMON MATERIALS FRAMEWORK	Climate Health	EPD
Human Health	Declare Label	EPD
	HPD	
	3 <sup>rd</sup> Party CDPH	
OCCUPANT EXPERIENCE	Circular Economy	✓
	Acoustics	✓

### STANDARD PANEL CONFIGURATIONS



◆ When specifying or ordering, include the appropriate finish suffix (e.g., 7094BO G B G - 4 slats 2-1/4" in Bleached Grey).

### VISUAL SELECTION

Item No. ◆	Dimensions Nominal W × L × H* (Inches)		Slat Spacing (Nominal)	LBS/SF	% Open Area
	Custom Sizes Available	Custom Slat Sizes Available			
WOODWORKS® Grille – Classics Wall Panels	7263BO ___	12 × 96 × 1-7/8" Backer Only	5/8" W 1-3/8" H 6 slats	1.29	69%
	7264BO ___	12 × 96 × 1-7/8" Backer Only	5/8" W 1-3/8" H 8 slats	1.68	58%
	7265BO ___	12 × 96 × 2-3/4" Backer Only	5/8" W 2-1/4" H 6 slats	2.03	69%
	7266BO ___	12 × 96 × 2-3/4" Backer Only	5/8" W 2-1/4" H 8 slats	2.67	58%
	7094BO ___	12 × 96 × 2-3/4" Backer Only	1" W 2-1/4" H 4 slats	2.16	67%

### PERFORMANCE

CleanAssure™ Disinfectable Panels		
Fog	Spray	Wipe
•	•	•
•	•	•
•	•	•
•	•	•

**FAST**  
4 WEEKS  
or Less

FAST134 program items ready to ship from manufacturer in 4 weeks or less.  
Up-to-date lead times and product options (sizes and colors) at [armstrongceilings.com/fast134](http://armstrongceilings.com/fast134)

◆ When specifying or ordering, include the appropriate finish suffix (e.g., 7094BO G B G - 4 slats 2-1/4" in Bleached Grey).  
NOTE: For additional color and size options, or curved applications options with flexible backers (special order), call TechLine at 877 276 7876.  
\* Actual panel length is 95"  
NOTE: Panel backers are black. Custom backer colors available.



# WOODWORKS® Grille – Classics

## Solid Wood Wall Panels



Declare.

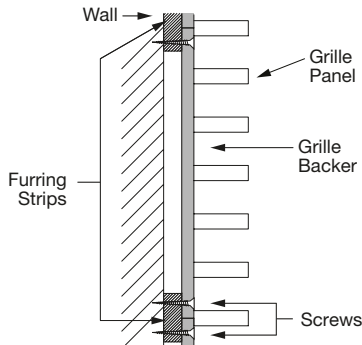
COMMON MATERIALS FRAMEWORK		Climate Health	EPD
Human Health	Declare Label	Ecosystem Health	EPD
	HPD		
	3 <sup>rd</sup> Party CDPH	Circular Economy	✓
OCCUPANT EXPERIENCE		Acoustics	✓

### ACCESSORIES

Item No. ◆	Description	Dimensions Nominal W x L x H (Inches)	Color	Pcs/ Ctn
5672 _ _ _	Junction – 1-3/8"	1-1/2 x 96 x 2"	All finishes	Bulk
5674 _ _ _	End Cap – 1-3/8"	3/4 x 96 x 2"	All finishes	Bulk
5675 _ _ _	End Cap – 2-1/4"	3/4 x 96 x 2-3/4"	All finishes	Bulk
7170 _ _ _	End Cap – 3-1/4"	3/4 x 96 x 3-3/4"	All finishes	Bulk
7171 _ _ _	End Cap – 4-1/4"	3/4 x 96 x 4-3/4"	All finishes	Bulk
7172 _ _ _	End Cap – 5-1/4"	3/4 x 96 x 5-3/4"	All finishes	Bulk
5687	Backer Clip	3/8 x 11/16 x 7/8"	N/A	250 pcs/pail
5457GAL1 _ _ _	End-Stain	N/A	All finishes	1 Gallon
5457QT1 _ _ _	End-Stain	N/A	All finishes	1 Quart
5671 _ _ _	Ledger	1 x 96 x 1/4"	All finishes	Bulk
7891	12-Gauge Soft Hanger Wire	144" Length	N/A	140
6459BL	Uptight Clip	5-1/2" x 1-3/4"	Black	25
RC2BL	RC2 Radius Clip	N/A	Black	205
7290GBL	WoodWorks Grille Flat Backer	7/8 x 12 x 1/2"	Black	18

◆ When specifying or ordering, include the 3-letter finish suffix that coordinates with your WoodWorks® wall: (e.g., 5671 G M P).  
NOTE: For integration with Axiom® trim (Black recommended for use with solid wood).

### SYSTEM INSTALLATION DETAILS



**Wall Backer Assembly**  
Slat sizes over 2-1/4" are not recommended for wall applications. Contact TechLine for details at 877 276-7876.

### PHYSICAL DATA

**Material**  
Slats, Backers, and Tegal panels – solid Poplar.

**Surface Finish**  
Clear or tinted semi-gloss coating on all finishes except White (GWH), which has a lacquer finish.

**Fire Performance**  
Class C: ASTM E84 surface burning characteristics. Flame Spread Index 200 or less. Smoke Developed Index 450 or less.

Fire performance will vary between wood species.  
Flame stop coating is available as a custom option. Contact ASQuote@armstrongceilings.com for details.

**Application Considerations**  
Variation among panels may occur due to the natural characteristics of the wood and grain.

**Design Considerations**  
Custom slat and panel sizes available. Panel backers are black; consider installing panels on a dark wall or backdrop. Custom backer colors available.

For installations where slat alignment is critical, please see the WoodWorks Grille – Forté product line.

**Site Conditions**  
It is very important that panels are climatized prior to installation. Relative humidity between 25% and 55%, and temperatures between 50°F and 86°F, must be maintained.

**Installation Consideration**  
When junction accessory is not used, the result will be a 1" gap between slat lengths.

**Seismic Restraint**  
WoodWorks Grille – Classics panels have been engineered, tested, and approved for application in all seismic areas when installed per Armstrong Ceilings & Walls installation instructions.

**FAST134 Program Considerations**  
Size of Job Matters: Big jobs, over 2500 SF or 50 pieces for shapes/vertical elements will have longer lead times.  
Location Matters: Transit time not included. We are ready to ship in 1 week on FAST1 items. However, transit to the states west of Wyoming may add time.

Distributor Truck Schedule Matters: We rely on distribution to help move products around the country. When speed matters, work with your local distributor to ensure FAST134 service.

Stock vs Made-to-Order Matters: FAST3 & FAST4 items are made-to-order and will ship direct to distributor. FAST1 (stocked items) will go through distribution and depend on distributor truck schedules.

**Design & Pre-Construction Service**  
For complimentary design and pre-construction assistance, contact ProjectWorks® or visit [armstrongceilings.com/projectworks](http://armstrongceilings.com/projectworks)

**Cleaning and Disinfecting**  
Cleaning and CDC approved disinfecting options available on [armstrongceilings.com/cleaning](http://armstrongceilings.com/cleaning)

**Warranty**  
Details at [armstrongceilings.com/warranty](http://armstrongceilings.com/warranty)

**Weight**  
7263BO - 1.29 LBS/SF  
7264BO - 1.68 LBS/SF  
7265BO - 2.03 LBS/SF  
7266BO - 2.67 LBS/SF  
7094BO - 2.16 LBS/SF

TechLine / 877 276-7876  
[armstrongceilings.com/woodworksgrille](http://armstrongceilings.com/woodworksgrille)  
BPCS-6814-226

LEED® is a registered trademark of the U.S. Green Building Council; Declare® and Living Building Challenge® (LBC) are registered trademarks of the International Living Future Institute®; WELL™ and WELL Building Standard™ are trademarks of the International WELL Building Institute; Revit® is a registered trademark of Autodesk, Inc.; FSC® is a registered trademark of Forest Stewardship Council®, A.C., license code FSC-C007626; all other trademarks used herein are the property of AWI Licensing LLC and/or its affiliates © 2026 AWI Licensing LLC

**Armstrong®**  
World Industries

PARTITIONS & WALLS