

USG ALTA™ STRUCTURAL SUSPENSION SYSTEM



USG ALTA™
(computer-generated image)

INSTRUCTIONS FOR USE:

1. Select desired models from this Revit File.
2. Use the **Copy** command and **Paste** it into your current project.
3. The **finish** parameter allows the user to specify the appearance using the Material Browser, go to the Appearance tab to re-path the image files.
4. The **length** parameter determines the width of the module. It can be adjusted from 2' to 8' per module to control the density of the baffles.
5. The **offset** parameter determines the distance of the face of underside of the main tees that are attached to the underside of structure or reference plane.

The **USG ALTA™ Structural Suspension System** is comprised of Main Tees (SGX40), Cross Tees (SGX240 or SGX440), Perimeter Tees (SGXWM40), Intersection Brackets, and a series of accessory components designed for specific project requirements.

FEATURES AND BENEFITS

- 2" flanged structural tee system
- 6005 T5 aluminum body with anodized surface
- Standard threaded upper and lower channels
- Superior load carrying capacity, up to 1,200 lbs.

MODULE SIZE ¹	MAX SAFE WORKING UNIFORM LOAD (LBS/FT ²) ¹	POINT LOAD AT L/360 (LBS) ²	ALLOWABLE POINT LOAD (LBS) ³	POINT LOAD AT YIELD (LBS) ⁵
4' x 4'	75	288	529	883
4' x 6'	50	128	352	589

NOTES:

1. **ALLOWABLE LOAD** - ASSUMES POINT LOADS SPACED MIN 4FT CENTERS ON SECTION SUSPENDED BETWEEN HANGERS ON A 4' X 4' SYSTEM OR 6FT CENTERS ON A 4' X 6' SYSTEM.
2. **MAXIMUM SAFE WORKING UNIFORM LOAD**– THIS VALUE IS THE MAX AREA PER HANGER DIVIDED INTO THE MAX LOAD SAFE CAPACITY OF THE HARDWARE, IN THIS CASE 1,200 LBS.
3. **POINT LOAD AT L/360**– THIS IS THE PREDICTED LOAD AT DEFLECTION OF LENGTH, IN INCHES, DIVIDED BY 360. DEFLECTION LIMIT IS 0.133" @ L=48" AND 0.20" @ L=72".
4. **ALLOWABLE POINT LOAD**– RECOMMENDED MAX LOAD WITH A FACTOR OF SAFETY OF 1.67 APPLIED FROM MATERIAL YIELD.
5. **POINT LOAD AT YIELD**– PREDICTED LOAD, IN LBS., WHEN MATERIAL STARTS TO YIELD AND FURTHER DEFORMATION WILL BE NO LONGER ELASTIC.

Sheet List

Sheet Number	Sheet Name
PB-00	USG ALTA™ SYSTEM Data Center Grid
PB-01	DATA CENTER PANELS Revit System Families
PB-02	USG ALTA™ SYSTEM SGX40 System Grids
PB-03	USG ALTA™ SYSTEM SGX Accessories
PB-04	USG ALTA™ SYSTEM 3D Asset - Ceiling Tile
PB-05	USG ALTA™ SYSTEM 3D Asset - Ceiling Tile
PB-06	USG ALTA™ SYSTEM 3D Asset - Ceiling Tile
PB-07	USG ALTA™ SYSTEM 3D Asset - Ceiling Tile
PB-08	USG ALTA™ SYSTEM Details
PB-09	USG ALTA™ SYSTEM Details
PB-10	USG ALTA™ SYSTEM Details
PB-11	USG ALTA™ SYSTEM Details
PB-12	USG ALTA™ SYSTEM Details



USG ALTA™ Structural Suspension System

DISCLAIMER: THE USG PRODUCT DETAILS CONTAINED HEREIN ARE INTENDED FOR USE AS PRODUCT REFERENCE MATERIAL BY ARCHITECTS, ENGINEERS, OTHER DESIGN PROFESSIONALS, CONTRACTORS, BUILDING CODE OFFICIALS, OR OTHER COMPETENT CONSTRUCTION INDUSTRY TRADE PROFESSIONALS HAVING AN INTEREST IN THE SELECTION, SPECIFICATION AND USE OF PRODUCTS MANUFACTURED BY THE SUBSIDIARIES OF USG CORPORATION. THE DRAWINGS ARE INTENDED SOLELY AS TECHNICAL SUPPORT INCIDENT TO THE SALE AND USE OF USG PRODUCTS AND NOT INTENDED TO BE A SUBSTITUTE FOR THE DESIGN REVIEW AND APPROVAL OF THE LICENSED DESIGN PROFESSIONALS FOR THE PROJECT. THESE MATERIALS MAY BE PRINTED AND/OR TRANSFERRED ELECTRONICALLY SOLELY AS NEEDED BY THE USER, BECAUSE CAD ELECTRONIC FILES AND BIM (BUILDING INFORMATION MODELING) FILES CAN BE MODIFIED BY OTHER PARTIES, WITHOUT NOTICE OR INDICATION OF SUCH MODIFICATIONS, MODIFICATION OF USG PRODUCT CAD AND BIM DRAWINGS IS THE SOLE RESPONSIBILITY OF THE DESIGN PROFESSIONAL. ©2023 USG CORPORATION.

ISSUE RECORD:

02/26/2025

REV: DATE:

1 05/21/2025
2 03/19/2026

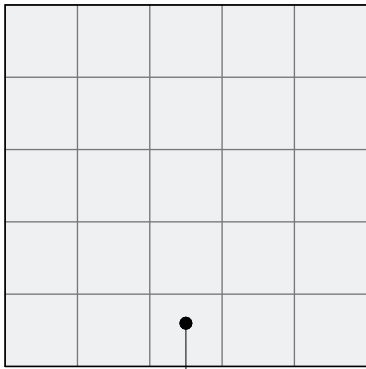
SCALE: 1" = 1'-0"

SHEET INFORMATION:

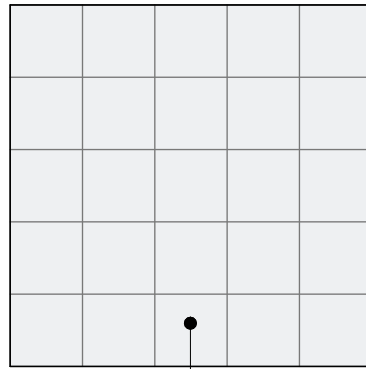
USG ALTA™ SYSTEM
Data Center Grid

PB-00

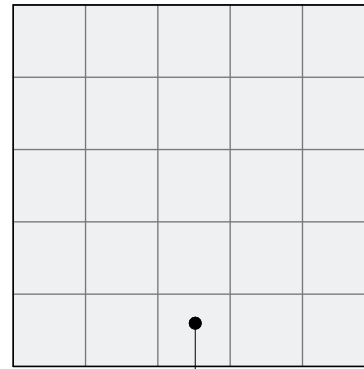
USG DATA CENTER ACOUSTICAL PANELS - REVIT CEILING SYSTEM FAMILIES



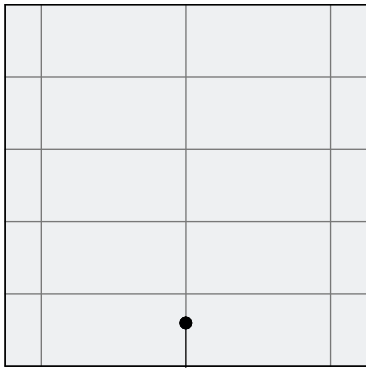
USG - Data Center Acoustical Panel - 24" x 24" - SQ 1" - Flat White 050



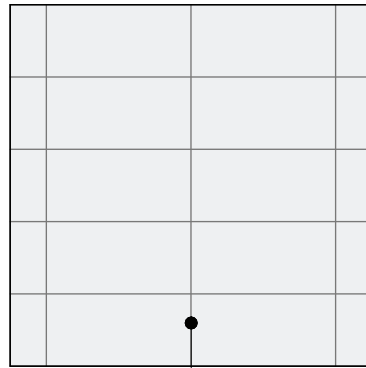
USG - Data Center Acoustical Panel - 24" x 24" - SQ 7/8" - Flat White 050



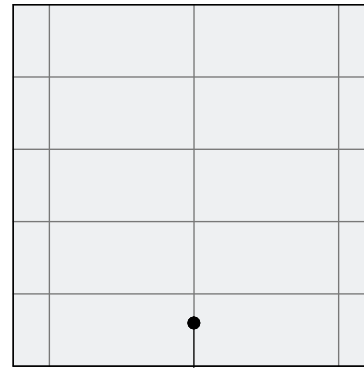
USG - Data Center Acoustical Panel - 24" x 24" - SQ 3/4" - Flat White 050



USG - Data Center Acoustical Panel - 24" x 48" - SQ 1" - Flat White 050



USG - Data Center Acoustical Panel - 24" x 48" - SQ 7/8" - Flat White 050



USG - Data Center Acoustical Panel - 24" x 48" - SQ 3/4" - Flat White 050

INSTRUCTIONS FOR USE:

1. Select desired ceiling panels from this Revit view.
2. Use the **Copy** command and **Paste** it into your current project.
3. Using the Material Browser, go to the Appearance tab to re-path the image files included with you Revit file download.

FEATURES AND BENEFITS

- Excellent integrated ceiling system to support complete structural suspension requirements.
- Panels sized for USG ALTA™ Structural Suspension System. Other Data Center module sizes available via RTQ.
- Balanced acoustics with a wide range of options. Sound absorption NRC up to 0.95 and sound attenuation CAC up to 40.
- Panels support Hot-Aisle and Cold-Aisle containment performance needs.
- USG Mars™ and Halcyon™ Data Center Panels are highly light-reflective (0.90 LR) and nondirectional.
- USG Sheetrock® Brand Data Center Panels are durable, face-laminated gypsum panels with extraordinary dimensional stability.
- Impact and scratch resistant with washable and scrubbable finish.
- USG Mars™ Data Center Panels are part of the Ecoblueprint™ portfolio — meeting today's sustainability standards. For sustainability documentation go to USG.com or CGCInc.com.

Low Emissions (VOC)

Third party (GREENGUARD Gold) certified for low-emitting performance, meets California Department of Public Health's (CDPH) Standard Method v1.2 - 2017 (CA Section 01350). 'Certificates of Compliance' for Low VOC Emissions are available on usg.com and at spot.ul.com.



United States Gypsum Company
550 West Adams Street
Chicago, IL 60661 USA

USG ALTA™ - Structural Suspension System Data Center Acoustical Panels

DISCLAIMER: THE USG PRODUCT DETAILS CONTAINED HEREIN ARE INTENDED FOR USE AS PRODUCT REFERENCE MATERIAL BY ARCHITECTS, ENGINEERS, OTHER DESIGN PROFESSIONALS, CONTRACTORS, BUILDING CODE OFFICIALS, OR OTHER COMPETENT CONSTRUCTION INDUSTRY TRADE PROFESSIONALS HAVING AN INTEREST IN THE SELECTION, SPECIFICATION AND USE OF PRODUCTS MANUFACTURED BY THE SUBSIDIARIES OF USG CORPORATION. THE DRAWINGS ARE INTENDED SOLELY AS TECHNICAL SUPPORT INCIDENT TO THE SALE AND USE OF USG PRODUCTS AND NOT INTENDED TO BE A SUBSTITUTE FOR THE DESIGN REVIEW AND APPROVAL OF THE LICENSED DESIGN PROFESSIONALS FOR THE PROJECT. THESE MATERIALS MAY BE PRINTED AND/OR TRANSFERRED ELECTRONICALLY SOLELY AS NEEDED BY THE USER. BECAUSE CAD ELECTRONIC FILES AND BIM (BUILDING INFORMATION MODELING) FILES CAN BE MODIFIED BY OTHER PARTIES, WITHOUT NOTICE OR INDICATION OF SUCH MODIFICATIONS, MODIFICATION OF USG PRODUCT CAD AND BIM DRAWINGS IS THE SOLE RESPONSIBILITY OF THE DESIGN PROFESSIONAL. ©2023 USG CORPORATION.

ISSUE RECORD:

02/26/2025

REV: DATE:

1 05/21/2025

2 03/19/2026

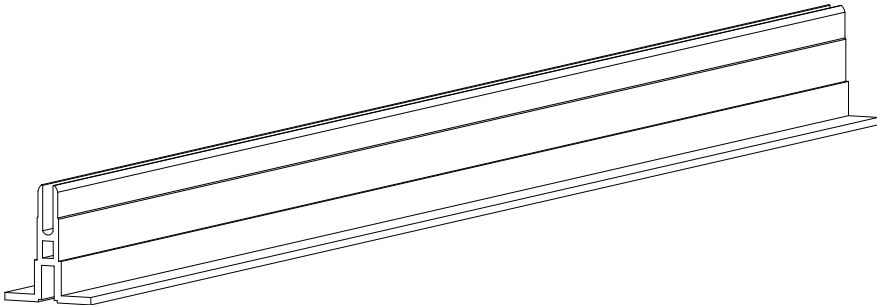
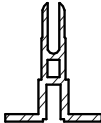
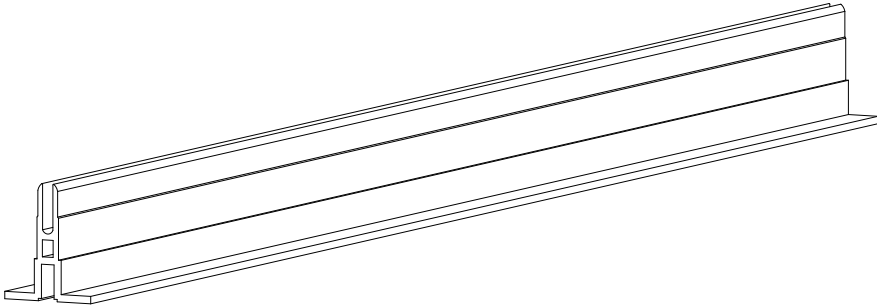
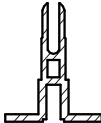
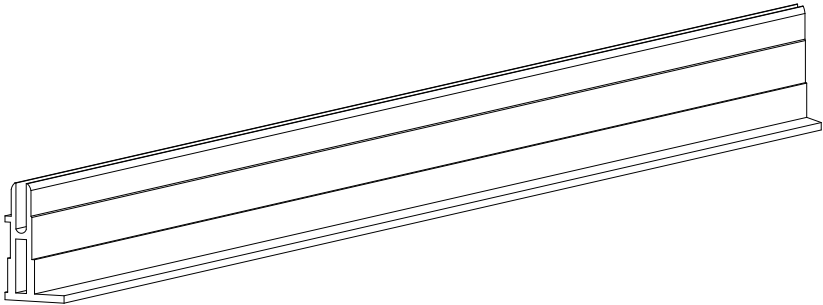
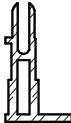
SCALE: 3/16" = 1'-0"

SHEET INFORMATION:

DATA CENTER PANELS
Revit System Families

PB-01

USG ALTA™ STRUCTURAL SUSPENSION SYSTEM

SGX40 SYSTEM	MAIN TEE	ITEM: SGX40 LENGTH: 12'		
	CROSS TEE	ITEM: SGX240 LENGTH: 22" ITEM: SGX440 LENGTH: 46"		
	PERIMETER TEE	ITEM: SGXWM40 LENGTH: 12'		



United States Gypsum Company
550 West Adams Street
Chicago, IL 60661 USA

USG ALTA™ - Structural Suspension System
SGX40 System Grids

DISCLAIMER: THE USG PRODUCT DETAILS CONTAINED HEREIN ARE INTENDED FOR USE AS PRODUCT REFERENCE MATERIAL BY ARCHITECTS, ENGINEERS, OTHER DESIGN PROFESSIONALS, CONTRACTORS, BUILDING CODE OFFICIALS, OR OTHER COMPETENT CONSTRUCTION INDUSTRY TRADE PROFESSIONALS HAVING AN INTEREST IN THE SELECTION, SPECIFICATION AND USE OF PRODUCTS MANUFACTURED BY THE SUBSIDIARIES OF USG CORPORATION. THE DRAWINGS ARE INTENDED SOLELY AS TECHNICAL SUPPORT INCIDENT TO THE SALE AND USE OF USG PRODUCTS AND NOT INTENDED TO BE A SUBSTITUTE FOR THE DESIGN REVIEW AND APPROVAL OF THE LICENSED DESIGN PROFESSIONALS FOR THE PROJECT. THESE MATERIALS MAY BE PRINTED AND/OR TRANSFERRED ELECTRONICALLY SOLELY AS NEEDED BY THE USER, BECAUSE CAD ELECTRONIC FILES AND BIM (BUILDING INFORMATION MODELING) FILES CAN BE MODIFIED BY OTHER PARTIES, WITHOUT NOTICE OR INDICATION OF SUCH MODIFICATIONS, MODIFICATION OF USG PRODUCT CAD AND BIM DRAWINGS IS THE SOLE RESPONSIBILITY OF THE DESIGN PROFESSIONAL. ©2023 USG CORPORATION.

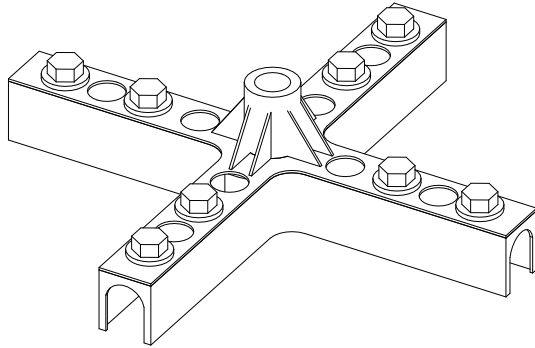
ISSUE RECORD:	
02/26/2025	
REV:	DATE:
1	05/21/2025
2	03/19/2026
SCALE: 3" = 1'-0"	

SHEET INFORMATION:
USG ALTA™ SYSTEM
SGX40 System Grids

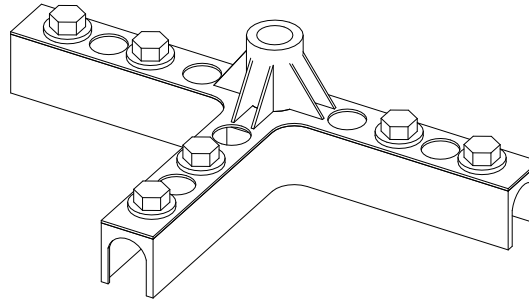
PB-02

USG ALTA™ STRUCTURAL SUSPENSION SYSTEM

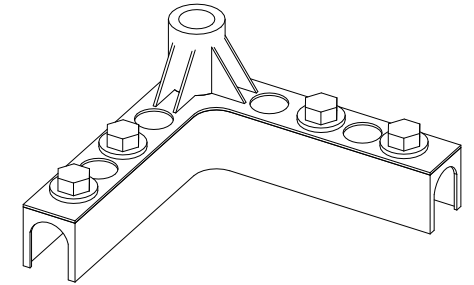
SGX ACCESSORIES



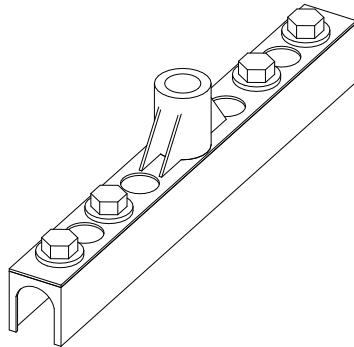
SGXIB4W - 4 WAY INTERSECTION BRACKET



SGXIB3W - 3 WAY INTERSECTION BRACKET



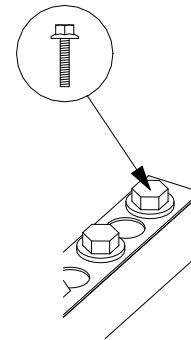
SGXIBC - 2 WAY INTERSECTION BRACKET



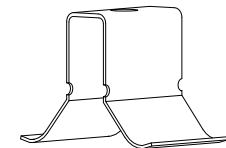
SGXSHS - SPLICE HANGER SUPPORT



SGXACLW-TURNBUCKLE



SGXACB-1/4" BOLT



SGXACHC1 - HOLD DOWN CLIP



United States Gypsum Company
550 West Adams Street
Chicago, IL 60661 USA

USG ALTA™ - Structural Suspension System
SGX Accesories

DISCLAIMER: THE USG PRODUCT DETAILS CONTAINED HEREIN ARE INTENDED FOR USE AS PRODUCT REFERENCE MATERIAL. BY ARCHITECTS, ENGINEERS, OTHER DESIGN PROFESSIONALS, CONTRACTORS, BUILDING CODE OFFICIALS, OR OTHER COMPETENT CONSTRUCTION INDUSTRY TRADE PROFESSIONALS HAVING AN INTEREST IN THE SELECTION, SPECIFICATION AND USE OF PRODUCTS MANUFACTURED BY THE SUBSIDIARIES OF USG CORPORATION. THE DRAWINGS ARE INTENDED SOLELY AS TECHNICAL SUPPORT INCIDENT TO THE SALE AND USE OF USG PRODUCTS AND NOT INTENDED TO BE A SUBSTITUTE FOR THE DESIGN REVIEW AND APPROVAL OF THE LICENSED DESIGN PROFESSIONALS FOR THE PROJECT. THESE MATERIALS MAY BE PRINTED AND/OR TRANSFERRED ELECTRONICALLY SOLELY AS NEEDED BY THE USER. BECAUSE CAD ELECTRONIC FILES AND BIM (BUILDING INFORMATION MODELING) FILES CAN BE MODIFIED BY OTHER PARTIES, WITHOUT NOTICE OR INDICATION OF SUCH MODIFICATIONS, MODIFICATION OF USG PRODUCT CAD AND BIM DRAWINGS IS THE SOLE RESPONSIBILITY OF THE DESIGN PROFESSIONAL. ©2023 USG CORPORATION.

ISSUE RECORD:

02/26/2025	
REV:	DATE:
1	04/30/2025
2	03/19/2026

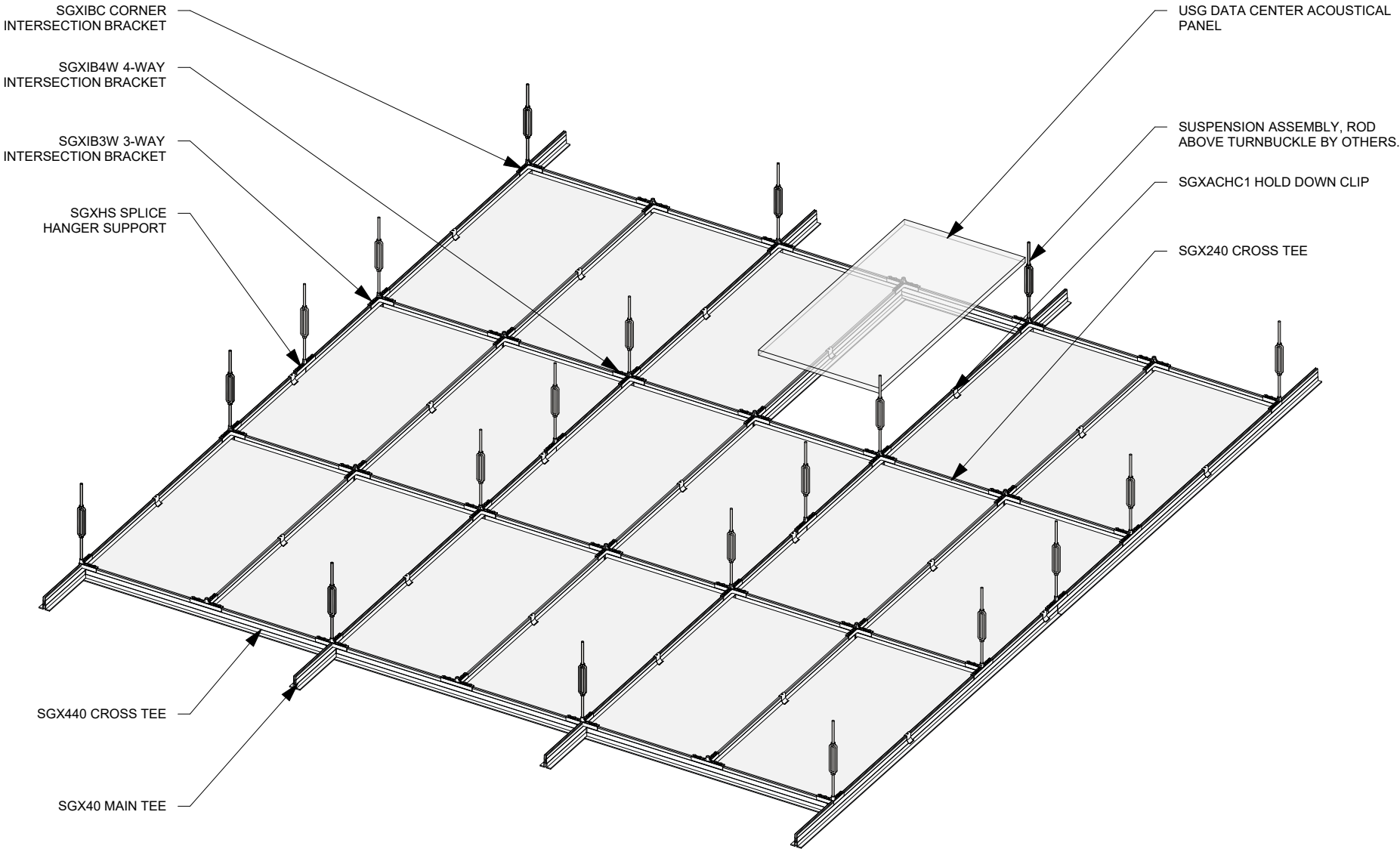
SCALE: 3" = 1'-0"

SHEET INFORMATION:

USG ALTA™ SYSTEM
SGX Accessories

PB-03

USG ALTA™ STRUCTURAL SUSPENSION SYSTEM



United States Gypsum Company
 550 West Adams Street
 Chicago, IL 60661 USA

USG ALTA™ - Structural Suspension System

4'-0" x 4'-0" Hanger Rod Spacing, Field View

DISCLAIMER: THE USG PRODUCT DETAILS CONTAINED HEREIN ARE INTENDED FOR USE AS PRODUCT REFERENCE MATERIAL BY ARCHITECTS, ENGINEERS, OTHER DESIGN PROFESSIONALS, CONTRACTORS, BUILDING CODE OFFICIALS, OR OTHER COMPETENT CONSTRUCTION INDUSTRY TRADE PROFESSIONALS HAVING AN INTEREST IN THE SELECTION, SPECIFICATION AND USE OF PRODUCTS MANUFACTURED BY THE SUBSIDIARIES OF USG CORPORATION. THE DRAWINGS ARE INTENDED SOLELY AS TECHNICAL SUPPORT INCIDENT TO THE SALE AND USE OF USG PRODUCTS AND NOT INTENDED TO BE A SUBSTITUTE FOR THE DESIGN REVIEW AND APPROVAL OF THE LICENSED DESIGN PROFESSIONALS FOR THE PROJECT. THESE MATERIALS MAY BE PRINTED AND/OR TRANSFERRED ELECTRONICALLY SOLELY AS NEEDED BY THE USER, BECAUSE CAD ELECTRONIC FILES AND BIM (BUILDING INFORMATION MODELING) FILES CAN BE MODIFIED BY OTHER PARTIES, WITHOUT NOTICE OR INDICATION OF SUCH MODIFICATIONS, MODIFICATION OF USG PRODUCT CAD AND BIM DRAWINGS IS THE SOLE RESPONSIBILITY OF THE DESIGN PROFESSIONAL. ©2023 USG CORPORATION.

ISSUE RECORD:
 02/26/2025

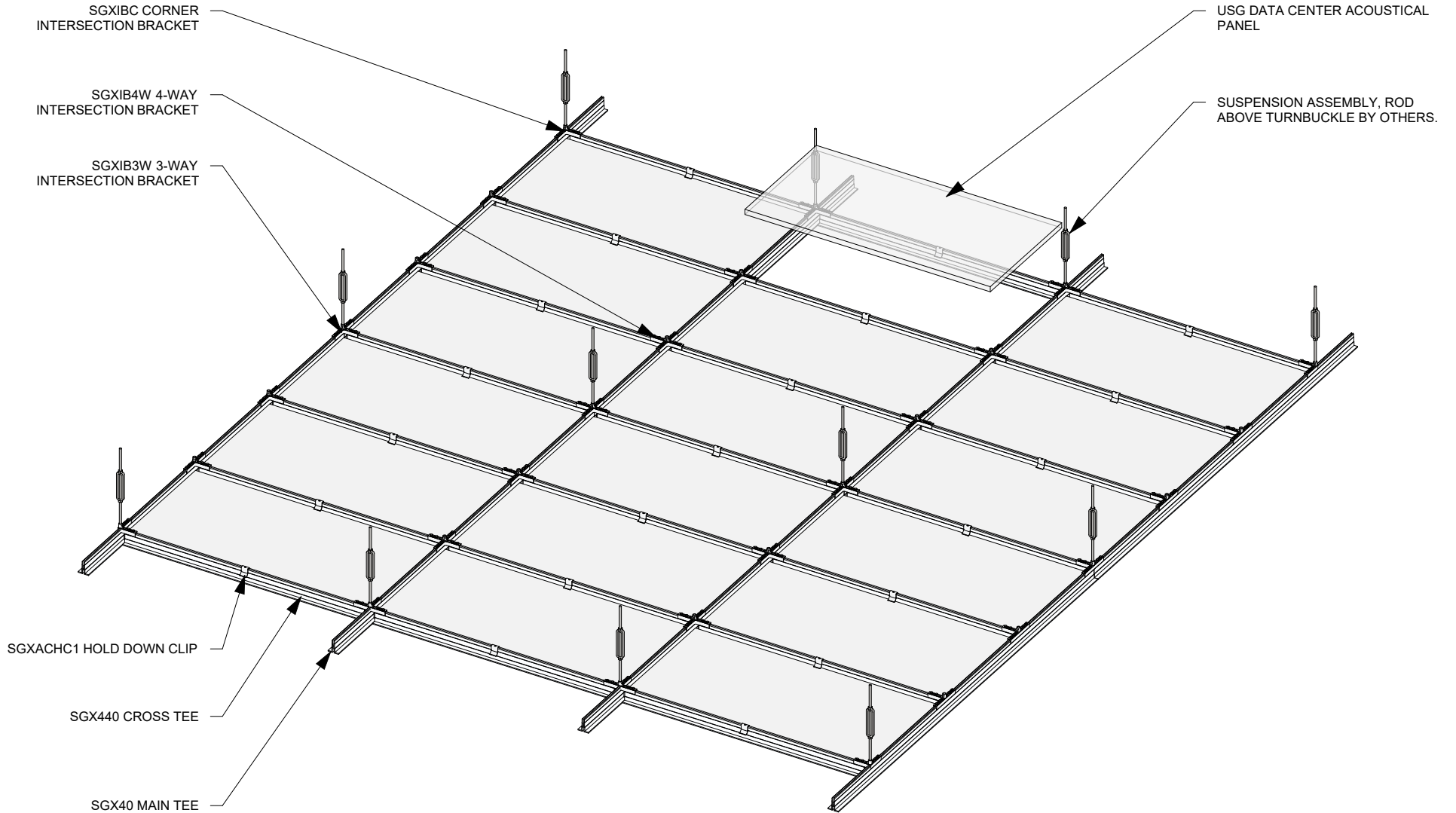
REV:	DATE:
1	05/21/2025
2	03/19/2026

SCALE:

SHEET INFORMATION:
 USG ALTA™ SYSTEM 3D
 Asset - Ceiling Tile

PB-04

USG ALTA™ STRUCTURAL SUSPENSION SYSTEM



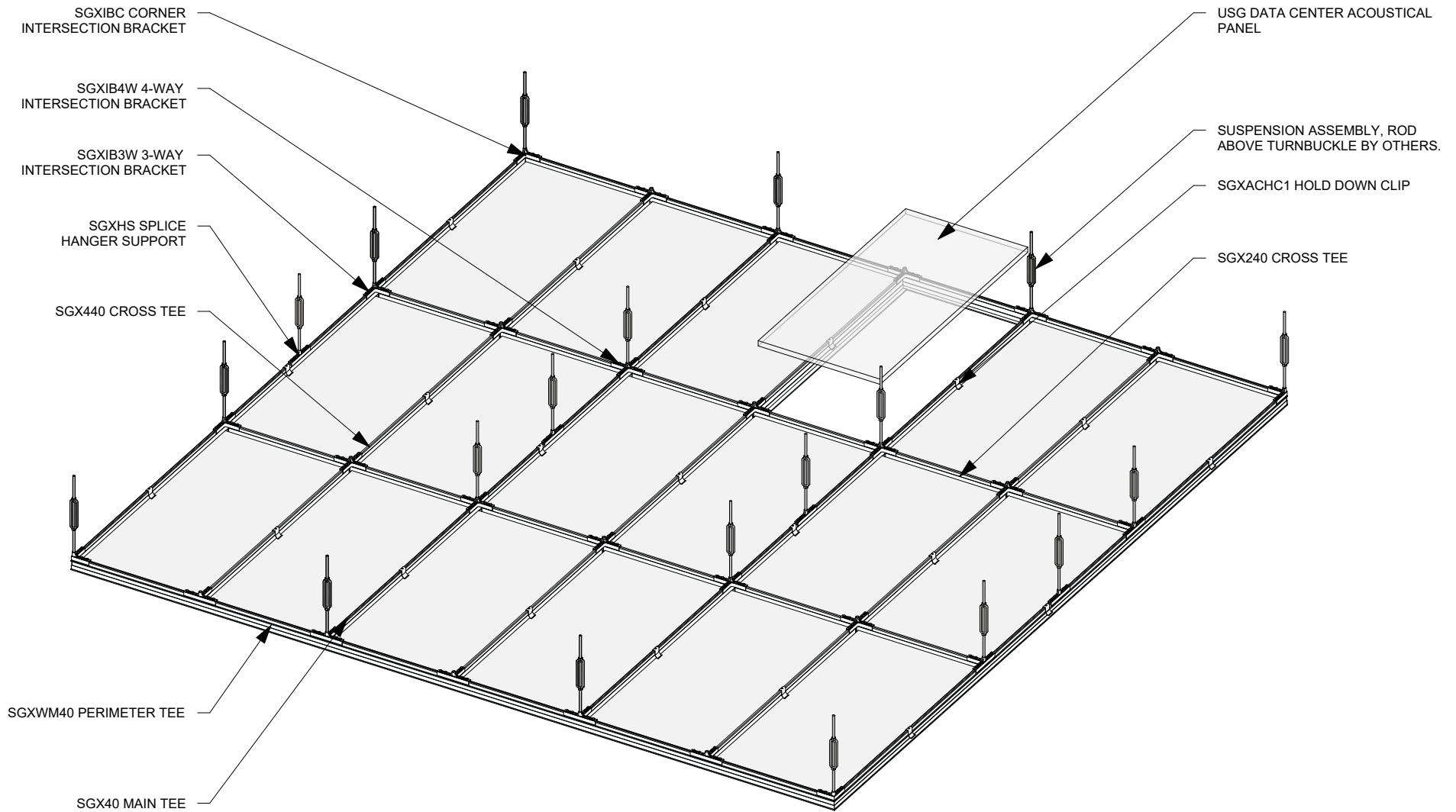
USG ALTA™ - Structural Suspension System 6'-0" x 4'-0" Hanger Rod Spacing, Field View

DISCLAIMER: THE USG PRODUCT DETAILS CONTAINED HEREIN ARE INTENDED FOR USE AS PRODUCT REFERENCE MATERIAL BY ARCHITECTS, ENGINEERS, OTHER DESIGN PROFESSIONALS, CONTRACTORS, BUILDING CODE OFFICIALS, OR OTHER COMPETENT CONSTRUCTION INDUSTRY TRADE PROFESSIONALS HAVING AN INTEREST IN THE SELECTION, SPECIFICATION AND USE OF PRODUCTS MANUFACTURED BY THE SUBSIDIARIES OF USG CORPORATION. THE DRAWINGS ARE INTENDED SOLELY AS TECHNICAL SUPPORT INCIDENT TO THE SALE AND USE OF USG PRODUCTS AND NOT INTENDED TO BE A SUBSTITUTE FOR THE DESIGN REVIEW AND APPROVAL OF THE LICENSED DESIGN PROFESSIONALS FOR THE PROJECT. THESE MATERIALS MAY BE PRINTED AND/OR TRANSFERRED ELECTRONICALLY SOLELY AS NEEDED BY THE USER, BECAUSE CAD ELECTRONIC FILES AND BIM (BUILDING INFORMATION MODELING) FILES CAN BE MODIFIED BY OTHER PARTIES, WITHOUT NOTICE OR INDICATION OF SUCH MODIFICATIONS, MODIFICATION OF USG PRODUCT CAD AND BIM DRAWINGS IS THE SOLE RESPONSIBILITY OF THE DESIGN PROFESSIONAL. ©2023 USG CORPORATION.

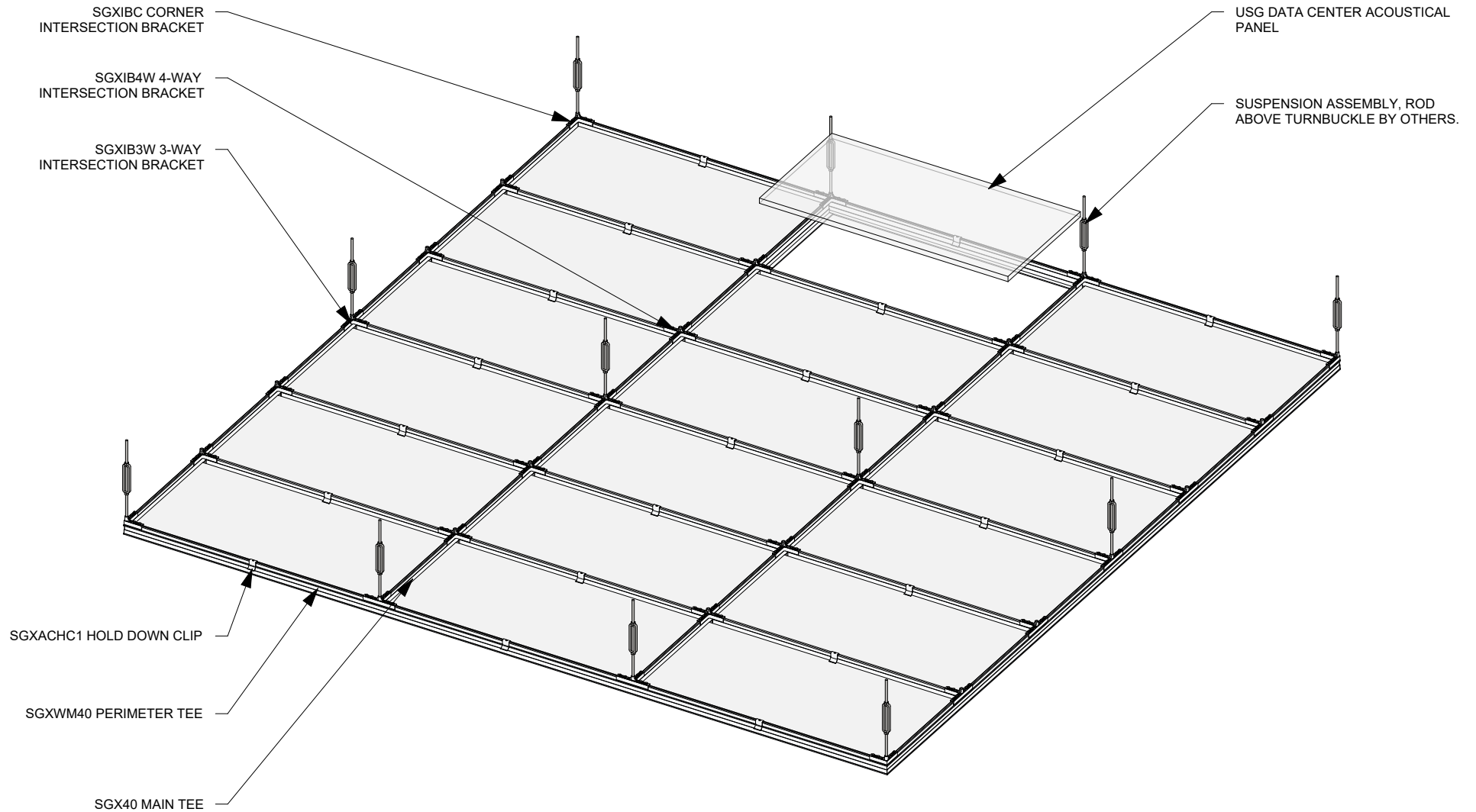
ISSUE RECORD:	
02/26/2025	
REV:	DATE:
1	05/21/2025
2	03/19/2026
SCALE:	

SHEET INFORMATION:
USG ALTA™ SYSTEM 3D Asset - Ceiling Tile
PB-05

USG ALTA™ STRUCTURAL SUSPENSION SYSTEM



USG ALTA™ STRUCTURAL SUSPENSION SYSTEM



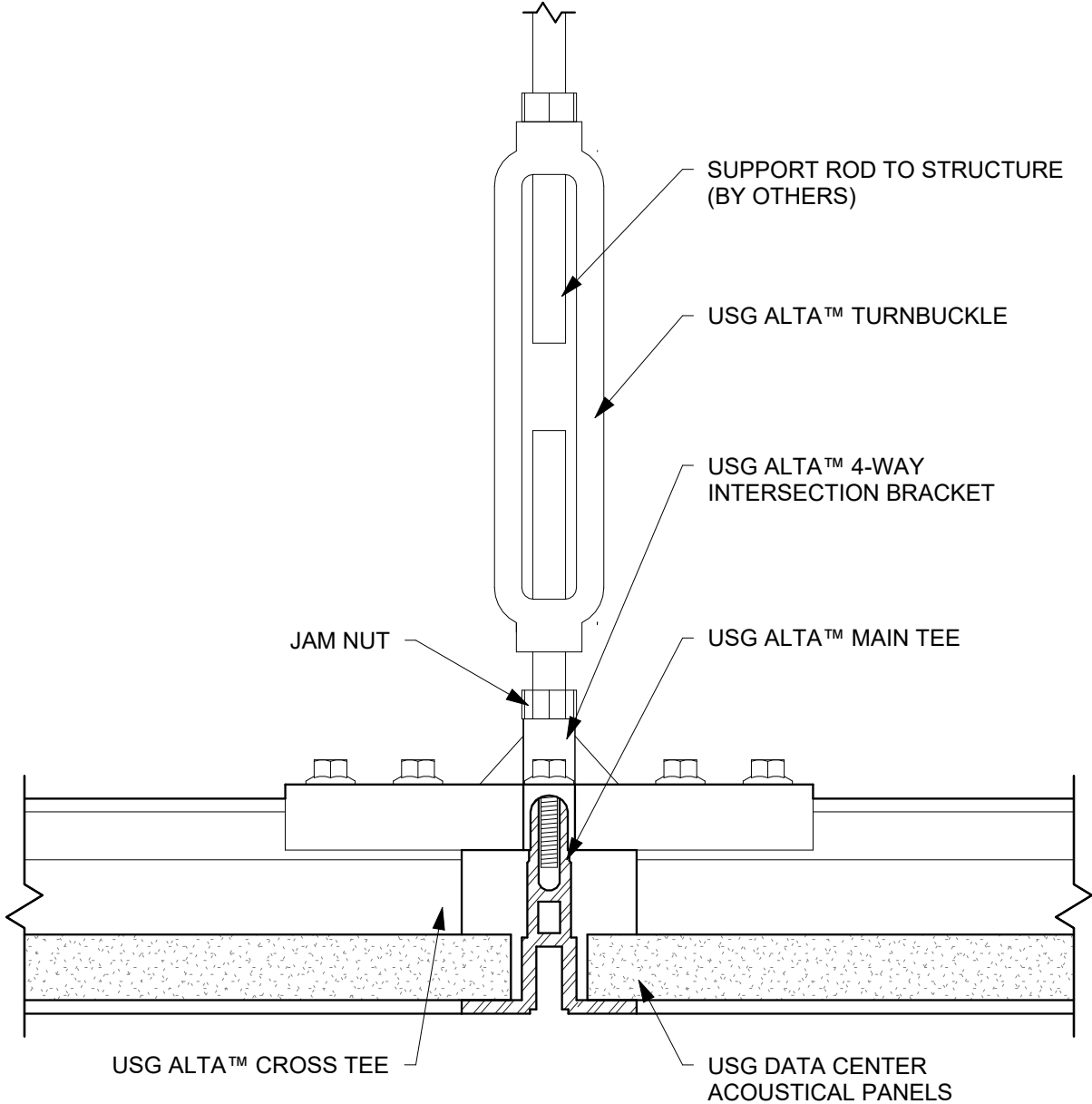
USG ALTA™ - Structural Suspension System 6'-0" x 4'-0" Hanger Rod Spacing with Perimeter Profile

DISCLAIMER: THE USG PRODUCT DETAILS CONTAINED HEREIN ARE INTENDED FOR USE AS PRODUCT REFERENCE MATERIAL BY ARCHITECTS, ENGINEERS, OTHER DESIGN PROFESSIONALS, CONTRACTORS, BUILDING CODE OFFICIALS, OR OTHER COMPETENT CONSTRUCTION INDUSTRY TRADE PROFESSIONALS HAVING AN INTEREST IN THE SELECTION, SPECIFICATION AND USE OF PRODUCTS MANUFACTURED BY THE SUBSIDIARIES OF USG CORPORATION. THE DRAWINGS ARE INTENDED SOLELY AS TECHNICAL SUPPORT INCIDENT TO THE SALE AND USE OF USG PRODUCTS AND NOT INTENDED TO BE A SUBSTITUTE FOR THE DESIGN REVIEW AND APPROVAL OF THE LICENSED DESIGN PROFESSIONALS FOR THE PROJECT. THESE MATERIALS MAY BE PRINTED AND/OR TRANSFERRED ELECTRONICALLY SOLELY AS NEEDED BY THE USER, BECAUSE CAD ELECTRONIC FILES AND BIM (BUILDING INFORMATION MODELING) FILES CAN BE MODIFIED BY OTHER PARTIES, WITHOUT NOTICE OR INDICATION OF SUCH MODIFICATIONS, MODIFICATION OF USG PRODUCT CAD AND BIM DRAWINGS IS THE SOLE RESPONSIBILITY OF THE DESIGN PROFESSIONAL. ©2023 USG CORPORATION.

ISSUE RECORD:	
02/26/2025	
REV:	DATE:
1	05/21/2025
2	03/19/2026
SCALE:	

SHEET INFORMATION:
USG ALTA™ SYSTEM 3D Asset - Ceiling Tile
PB-07

USG ALTA™ STRUCTURAL SUSPENSION SYSTEM



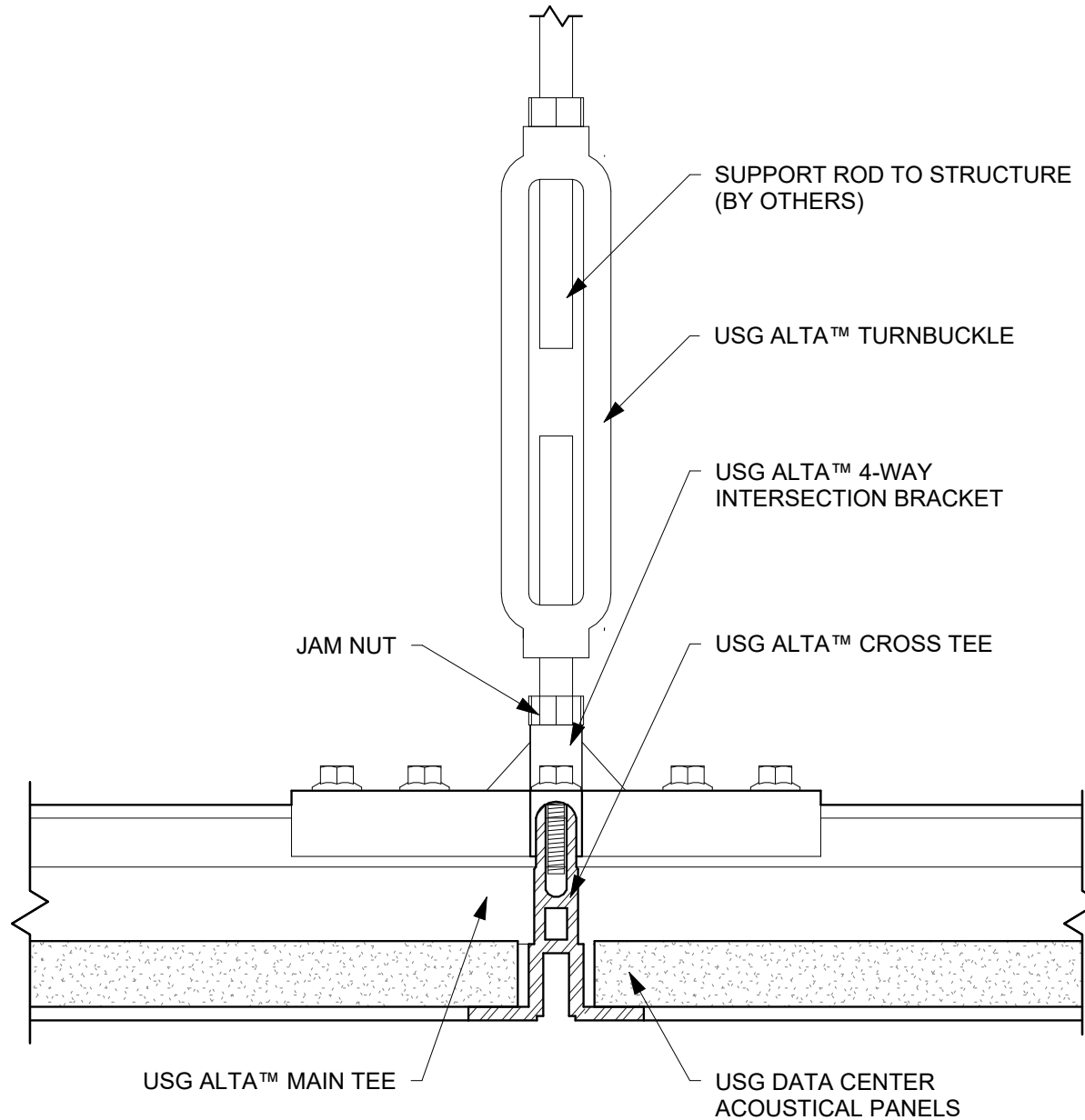
USG ALTA™ - Structural Suspension System
4 Way Connection Detail at Main Tee

DISCLAIMER: THE USG PRODUCT DETAILS CONTAINED HEREIN ARE INTENDED FOR USE AS PRODUCT REFERENCE MATERIAL BY ARCHITECTS, ENGINEERS, OTHER DESIGN PROFESSIONALS, CONTRACTORS, BUILDING CODE OFFICIALS, OR OTHER COMPETENT CONSTRUCTION INDUSTRY TRADE PROFESSIONALS HAVING AN INTEREST IN THE SELECTION, SPECIFICATION AND USE OF PRODUCTS MANUFACTURED BY THE SUBSIDIARIES OF USG CORPORATION. THE DRAWINGS ARE INTENDED SOLELY AS TECHNICAL SUPPORT INCIDENT TO THE SALE AND USE OF USG PRODUCTS AND NOT INTENDED TO BE A SUBSTITUTE FOR THE DESIGN REVIEW AND APPROVAL OF THE LICENSED DESIGN PROFESSIONALS FOR THE PROJECT. THESE MATERIALS MAY BE PRINTED AND/OR TRANSFERRED ELECTRONICALLY SOLELY AS NEEDED BY THE USER, BECAUSE CAD ELECTRONIC FILES AND BIM (BUILDING INFORMATION MODELING) FILES CAN BE MODIFIED BY OTHER PARTIES, WITHOUT NOTICE OR INDICATION OF SUCH MODIFICATIONS, MODIFICATION OF USG PRODUCT CAD AND BIM DRAWINGS IS THE SOLE RESPONSIBILITY OF THE DESIGN PROFESSIONAL. ©2023 USG CORPORATION.

ISSUE RECORD:	
02/26/2025	
REV:	DATE:
1	05/21/2025
2	03/19/2026
SCALE: 6" = 1'-0"	

SHEET INFORMATION:
USG ALTA™ SYSTEM
 Details
PB-08

USG ALTA™ STRUCTURAL SUSPENSION SYSTEM



USG ALTA™ - Structural Suspension System 4 Way Connection Detail at Cross Tee

DISCLAIMER: THE USG PRODUCT DETAILS CONTAINED HEREIN ARE INTENDED FOR USE AS PRODUCT REFERENCE MATERIAL BY ARCHITECTS, ENGINEERS, OTHER DESIGN PROFESSIONALS, CONTRACTORS, BUILDING CODE OFFICIALS, OR OTHER COMPETENT CONSTRUCTION INDUSTRY TRADE PROFESSIONALS HAVING AN INTEREST IN THE SELECTION, SPECIFICATION AND USE OF PRODUCTS MANUFACTURED BY THE SUBSIDIARIES OF USG CORPORATION. THE DRAWINGS ARE INTENDED SOLELY AS TECHNICAL SUPPORT INCIDENT TO THE SALE AND USE OF USG PRODUCTS AND NOT INTENDED TO BE A SUBSTITUTE FOR THE DESIGN REVIEW AND APPROVAL OF THE LICENSED DESIGN PROFESSIONALS FOR THE PROJECT. THESE MATERIALS MAY BE PRINTED AND/OR TRANSFERRED ELECTRONICALLY SOLELY AS NEEDED BY THE USER, BECAUSE CAD ELECTRONIC FILES AND BIM (BUILDING INFORMATION MODELING) FILES CAN BE MODIFIED BY OTHER PARTIES, WITHOUT NOTICE OR INDICATION OF SUCH MODIFICATIONS, MODIFICATION OF USG PRODUCT CAD AND BIM DRAWINGS IS THE SOLE RESPONSIBILITY OF THE DESIGN PROFESSIONAL. ©2023 USG CORPORATION.

ISSUE RECORD:
 02/26/2025

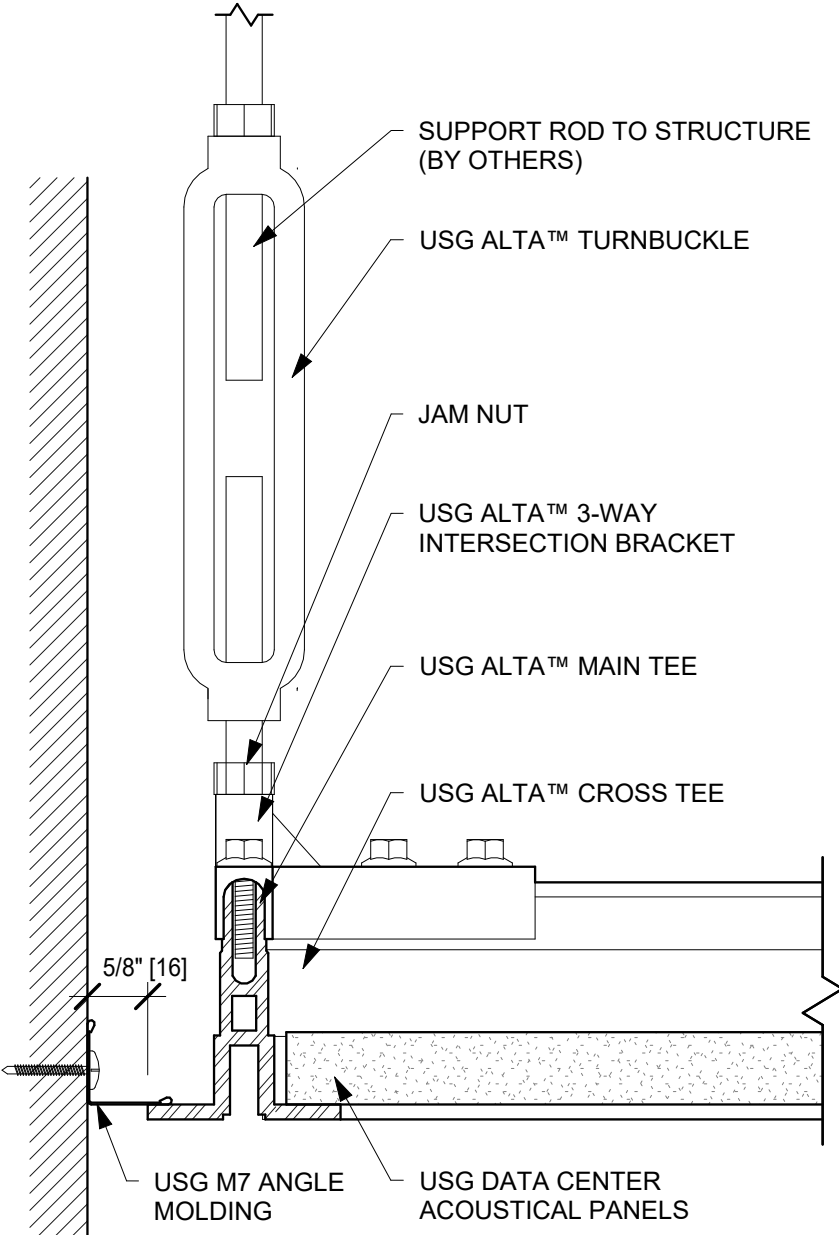
REV:	DATE:
1	05/21/2025
2	03/19/2026

SCALE: 6" = 1'-0"

SHEET INFORMATION:
 USG ALTA™ SYSTEM
 Details

PB-09

USG ALTA™ STRUCTURAL SUSPENSION SYSTEM



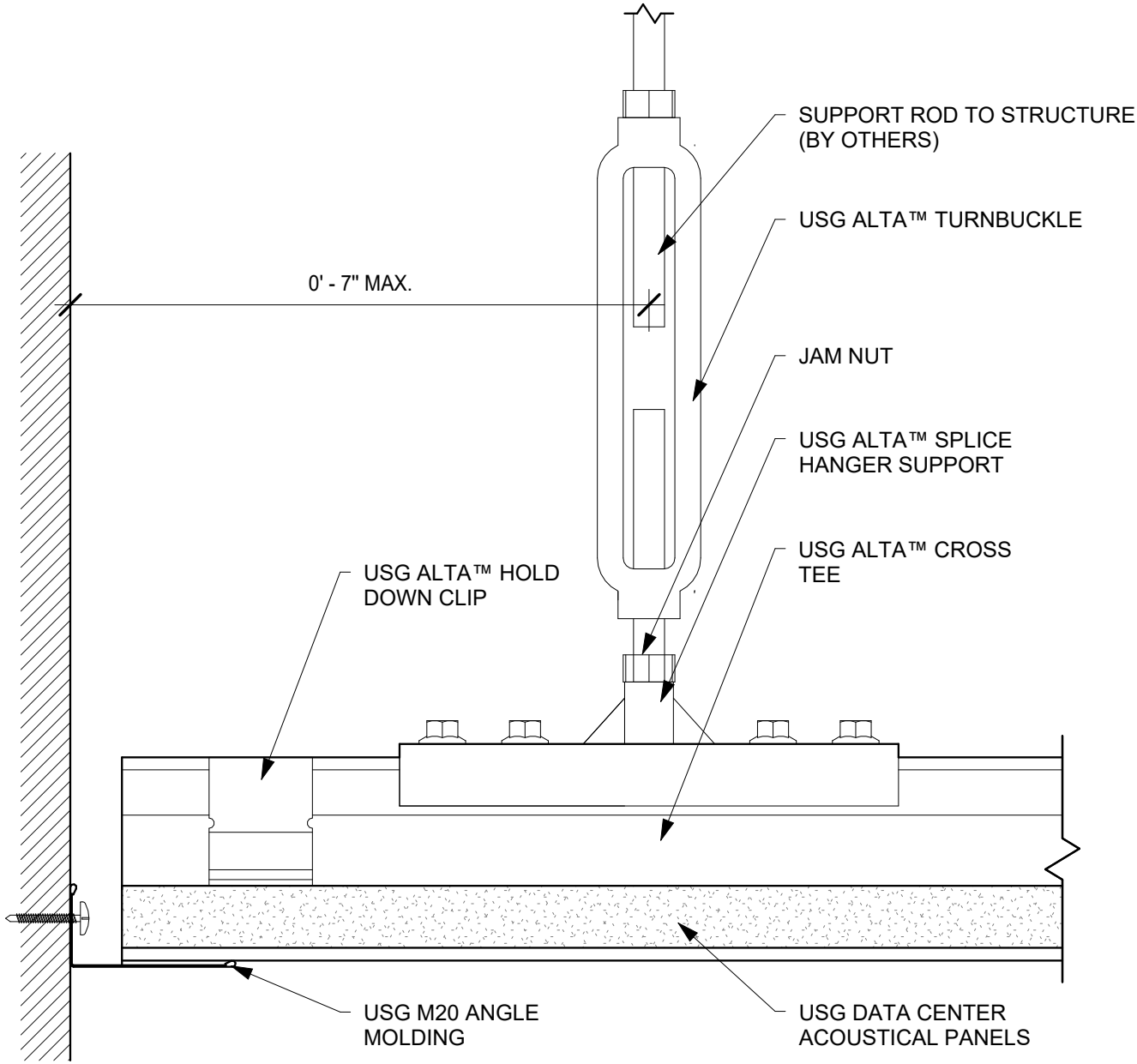
USG ALTA™ - Structural Suspension System
Perimeter Detail at M7 Trim

DISCLAIMER: THE USG PRODUCT DETAILS CONTAINED HEREIN ARE INTENDED FOR USE AS PRODUCT REFERENCE MATERIAL BY ARCHITECTS, ENGINEERS, OTHER DESIGN PROFESSIONALS, CONTRACTORS, BUILDING CODE OFFICIALS, OR OTHER COMPETENT CONSTRUCTION INDUSTRY TRADE PROFESSIONALS HAVING AN INTEREST IN THE SELECTION, SPECIFICATION AND USE OF PRODUCTS MANUFACTURED BY THE SUBSIDIARIES OF USG CORPORATION. THE DRAWINGS ARE INTENDED SOLELY AS TECHNICAL SUPPORT INCIDENT TO THE SALE AND USE OF USG PRODUCTS AND NOT INTENDED TO BE A SUBSTITUTE FOR THE DESIGN REVIEW AND APPROVAL OF THE LICENSED DESIGN PROFESSIONALS FOR THE PROJECT. THESE MATERIALS MAY BE PRINTED AND/OR TRANSFERRED ELECTRONICALLY SOLELY AS NEEDED BY THE USER. BECAUSE CAD ELECTRONIC FILES AND BIM (BUILDING INFORMATION MODELING) FILES CAN BE MODIFIED BY OTHER PARTIES, WITHOUT NOTICE OR INDICATION OF SUCH MODIFICATIONS, MODIFICATION OF USG PRODUCT CAD AND BIM DRAWINGS IS THE SOLE RESPONSIBILITY OF THE DESIGN PROFESSIONAL. ©2023 USG CORPORATION.

ISSUE RECORD:	
02/26/2025	
REV:	DATE:
1	05/21/2025
2	03/19/2026
SCALE: 6" = 1'-0"	

SHEET INFORMATION:
USG ALTA™ SYSTEM
Details
PB-10

USG ALTA™ STRUCTURAL SUSPENSION SYSTEM



USG ALTA™ - Structural Suspension System
Perimeter Detail at M20 Trim

ISSUE RECORD:

02/26/2025	
REV:	DATE:
1	05/21/2025
2	03/19/2026

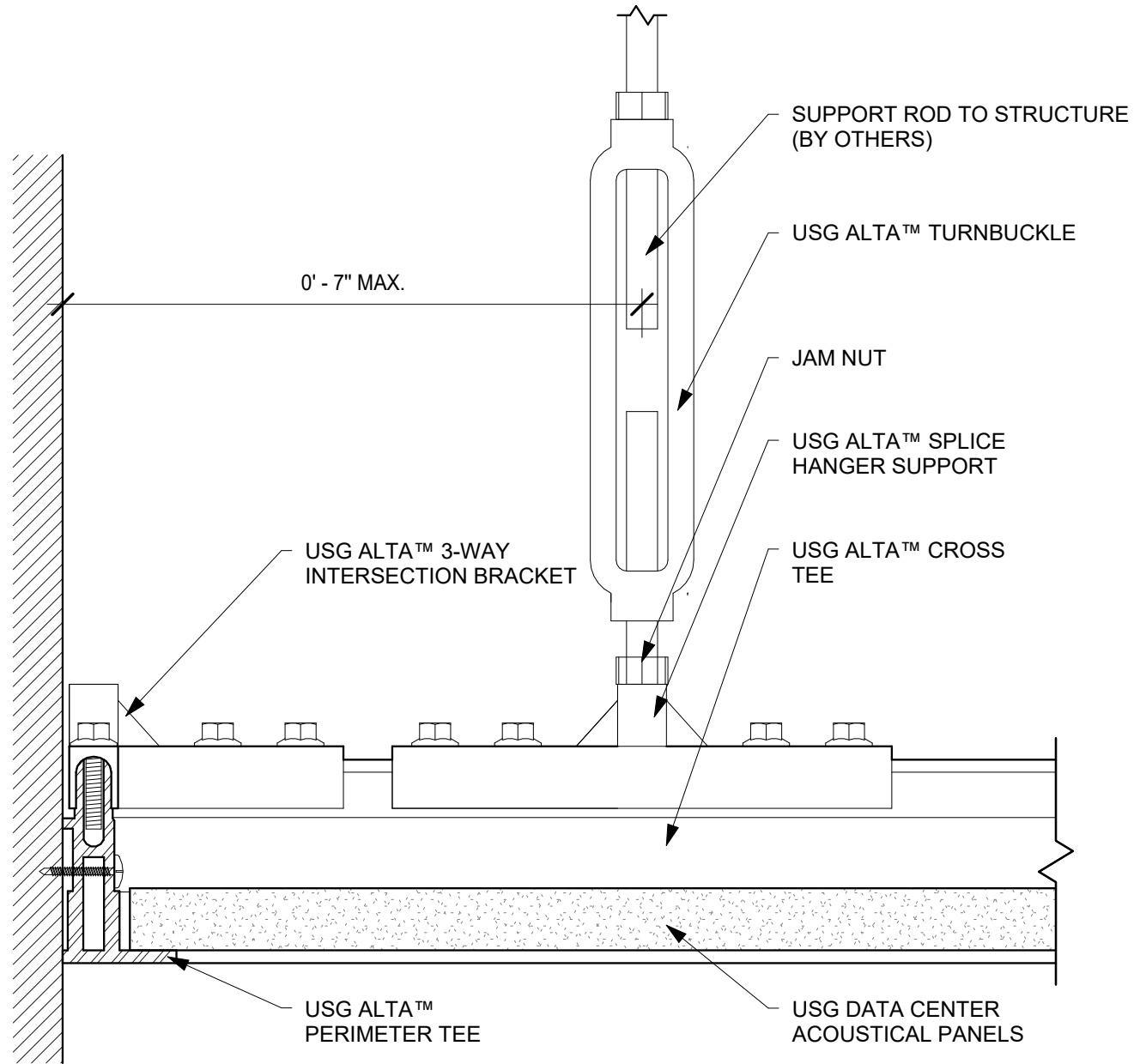
SCALE: 6" = 1'-0"

SHEET INFORMATION:
USG ALTA™ SYSTEM
Details

PB-11

DISCLAIMER: THE USG PRODUCT DETAILS CONTAINED HEREIN ARE INTENDED FOR USE AS PRODUCT REFERENCE MATERIAL BY ARCHITECTS, ENGINEERS, OTHER DESIGN PROFESSIONALS, CONTRACTORS, BUILDING CODE OFFICIALS, OR OTHER COMPETENT CONSTRUCTION INDUSTRY TRADE PROFESSIONALS HAVING AN INTEREST IN THE SELECTION, SPECIFICATION AND USE OF PRODUCTS MANUFACTURED BY THE SUBSIDIARIES OF USG CORPORATION. THE DRAWINGS ARE INTENDED SOLELY AS TECHNICAL SUPPORT INCIDENT TO THE SALE AND USE OF USG PRODUCTS AND NOT INTENDED TO BE A SUBSTITUTE FOR THE DESIGN REVIEW AND APPROVAL OF THE LICENSED DESIGN PROFESSIONALS FOR THE PROJECT. THESE MATERIALS MAY BE PRINTED AND/OR TRANSFERRED ELECTRONICALLY SOLELY AS NEEDED BY THE USER, BECAUSE CAD ELECTRONIC FILES AND BIM (BUILDING INFORMATION MODELING) FILES CAN BE MODIFIED BY OTHER PARTIES, WITHOUT NOTICE OR INDICATION OF SUCH MODIFICATIONS, MODIFICATION OF USG PRODUCT CAD AND BIM DRAWINGS IS THE SOLE RESPONSIBILITY OF THE DESIGN PROFESSIONAL. ©2023 USG CORPORATION.

USG ALTA™ STRUCTURAL SUSPENSION SYSTEM



United States Gypsum Company
 550 West Adams Street
 Chicago, IL 60661 USA

USG ALTA™ - Structural Suspension System Perimeter Grid at Wall

DISCLAIMER: THE USG PRODUCT DETAILS CONTAINED HEREIN ARE INTENDED FOR USE AS PRODUCT REFERENCE MATERIAL BY ARCHITECTS, ENGINEERS, OTHER DESIGN PROFESSIONALS, CONTRACTORS, BUILDING CODE OFFICIALS, OR OTHER COMPETENT CONSTRUCTION INDUSTRY TRADE PROFESSIONALS HAVING AN INTEREST IN THE SELECTION, SPECIFICATION AND USE OF PRODUCTS MANUFACTURED BY THE SUBSIDIARIES OF USG CORPORATION. THE DRAWINGS ARE INTENDED SOLELY AS TECHNICAL SUPPORT INCIDENT TO THE SALE AND USE OF USG PRODUCTS AND NOT INTENDED TO BE A SUBSTITUTE FOR THE DESIGN REVIEW AND APPROVAL OF THE LICENSED DESIGN PROFESSIONALS FOR THE PROJECT. THESE MATERIALS MAY BE PRINTED AND/OR TRANSFERRED ELECTRONICALLY SOLELY AS NEEDED BY THE USER, BECAUSE CAD ELECTRONIC FILES AND BIM (BUILDING INFORMATION MODELING) FILES CAN BE MODIFIED BY OTHER PARTIES, WITHOUT NOTICE OR INDICATION OF SUCH MODIFICATIONS, MODIFICATION OF USG PRODUCT CAD AND BIM DRAWINGS IS THE SOLE RESPONSIBILITY OF THE DESIGN PROFESSIONAL. ©2023 USG CORPORATION.

ISSUE RECORD:

03/12/2026	
REV:	DATE:
1	05/21/2025
2	03/19/2026

SCALE: 6" = 1'-0"

SHEET INFORMATION:

**USG ALTA™ SYSTEM
 Details**

PB-12