



USG LEVELROCK® BRAND SAM-CSD™ SOUND ATTENUATION MAT

Premium sound mat product

- STC and IIC values help meet or exceed code requirements for sound attenuation
- For use over corrugated steel deck
- Specially engineered fabric eliminates the need to pre-fill the flutes
- Robinson tested for system durability
- Installed by USG Levelrock authorized applicators
- GREENGUARD Gold Certification; qualifies as a low VOC emitting material (meets CA 01350)

DESCRIPTION

Designed for use over corrugated steel deck, USG Levelrock® Brand SAM-CSD™ Sound Attenuation Mat combines an engineered polymer resin with a durable tear-resistant backing that eliminates the need to pre-fill the flutes. Just 3/8 in. (10 mm) thick, USG Levelrock SAM-CSD sound attenuation mat can be easily installed directly over the corrugated steel deck while providing an economical method of improving the IIC and STC ratings.

USG Levelrock SAM-CSD sound attenuation mat requires a minimum of 1-3/8 in. (35 mm) topping of USG Levelrock® CSD® Early Exposure™ or CSD Early Exposure FR Floor Underlayment.

LIMITATIONS

1. Do not use in exterior applications.
2. Do not use as a wear surface.
3. Do not use mechanical fasteners to install the sound attenuation mat as mechanical fasteners conduct impact sound, compromising acoustical isolation.
4. Do not install where continuous exposure to moisture is a possibility.
5. Structure shall be designed so that deflection does not exceed L/240 from combined dead and live loads and L/360 from live load. Furthermore, the design criteria for metal deck selection is so the live load deflection does not exceed L/480. Certain floor coverings such as marble, limestone, travertine and wood may have more restrictive deflection limits. Consult the appropriate floor covering manufacturer.
6. For wood subfloors, do not install on plywood/OSB subfloors lacking tongue and groove edges without back-blocking.

INSTALLATION

USG Levelrock SAM-CSD sound attenuation mat is designed for use over corrugated steel deck. The subfloor must be clean and free of construction debris and dirt. The building temperature should be maintained between 40 °F (4 °C) and 110 °F (43 °C). In addition, the subfloor must meet the design criteria listed in the *USG Levelrock® CSD® Early Exposure™ Design Guidelines* (IG1741).

Orient the mat so that the seams are perpendicular to the corrugated steel deck. Install USG Levelrock SAM-CSD mat with the smooth backing side up. Cut the sound mat with a sharp utility knife. USG Levelrock SAM-CSD mat has a flap on one edge to cover the seams. This flap has an adhesive strip with a peel-able backing. Remove the backing from the adhesive strip and place the flap over the adjoining long edge. Press into place to ensure that the flap is firmly bonded. Use a premium grade duct tape to seal off any area that may be unbounded. The sound mat must lay flat, uniform and even. Do not use mechanical fasteners as this will compromise the sound performance of the mat.

USG Levelrock™ Perimeter Isolation Strip must be installed between the sound attenuation mat and walls or floor protrusions. The perimeter isolation strip must be installed so that there is no leakage of USG Levelrock CSD Early Exposure or CSD Early Exposure FR Floor Underlayment as any breach will compromise the sound system performance. See *USG Levelrock Perimeter Isolation Strip Submittal* (IG1874) or the *USG Levelrock Applicator Best Practices Manual* (IG1763) for further information.

INSTALLATION CONT.

Priming USG Levelrock SAM-CSD sound attenuation mat is not required prior to installing USG Levelrock Floor Underlayments provided the sound mat is clean and free from construction debris, dirt and dust.

Protect USG Levelrock underlayment floors poured over USG Levelrock SAM-CSD sound attenuation mat from heavy trade traffic loads (i.e. loaded drywall carts, heavy tool cabinets, etc.) with plywood.

For further details on installation requirements, specifications and the most up-to-date product information, please visit usg.com.

PRODUCT DATA

	USG Levelrock™ SAM-CSD™ Sound Attenuation Mat
Width	39.5 in. (1 m)
Roll length	100 lf. (30.5 m)
Coverage per roll	330 sq. ft. (30.7 m ²)
Mat thickness	3/8 in. (10 mm)
Roll diameter	26 in. (660 mm)
Weight per roll	41 lbs. (18.6 kg)

TEST DATA
SOUND

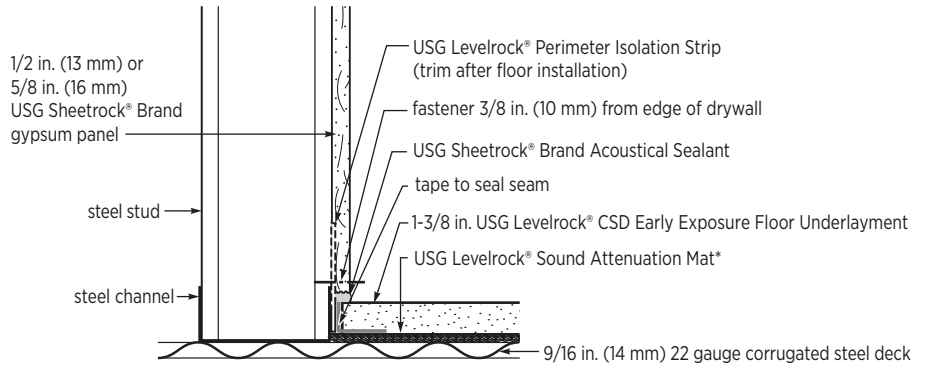
For fire ratings and IIC and STC sound test data, refer to the *USG Levelrock® and USG Durock™ Fire & Sound Rating Guide* (IG1685) at usg.com. Published acoustical and durability performance is based on testing USG Levelrock Floor Underlayments with USG Levelrock sound attenuation products.

UL DESIGNATION TYPE SAM

UL Classified for use in floor-ceiling assemblies with the UL Designation Type SAM.

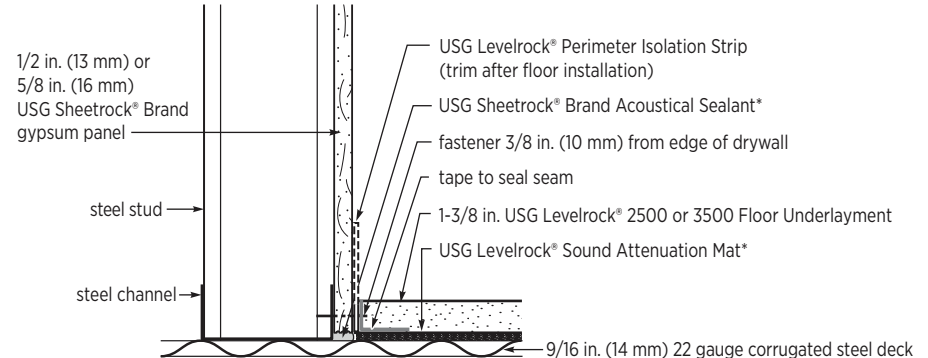
ASSEMBLIES

CORRUGATED STEEL DECK, STEEL FRAME—
USG LEVELROCK INSTALLED BEFORE DRYWALL



* Sound attenuation mat should be installed perpendicular to the flutes.

CORRUGATED STEEL DECK, STEEL FRAME—
USG LEVELROCK INSTALLED AFTER DRYWALL



* Sound attenuation mat should be installed perpendicular to the flutes.

EXTENDED WARRANTY

An extended warranty may apply when using USG Levelrock SAM-CSD Sound Attenuation Mat in a system application. Please contact USG for further details.

SUBMITTAL APPROVALS

Job Name	
Contractor	Date

PRODUCT INFORMATION

See usg.com for the most up-to-date product information.

GREENGUARD INFORMATION

GREENGUARD Certified products are certified to GREENGUARD standards for low chemical emissions into indoor air during product usage. For more information, visit ul.com/gg.

CAUTION

Dust may cause irritation to eyes, skin, nose, throat and upper respiratory tract. Wear eye protection. If eye contact occurs, flush thoroughly with water for 15 minutes. Remove contact lenses and continue rinsing. If on skin: Wash with plenty of water. If irritation persists, call physician. For more information call Product Safety: 800-507-8899 or see the SDS at usg.com.

KEEP OUT OF REACH OF CHILDREN.

TRADEMARKS

The trademarks USG, CSD, EARLY EXPOSURE, LEVELROCK, SAM-CSD, IT'S YOUR WORLD. BUILD IT., the USG logo, the design elements and colors and related marks are trademarks of USG Corporation or its affiliates.

NOTE

The information in this document is subject to change without notice. USG Corp. and/or its affiliates assume no responsibility for any errors that may inadvertently appear in this document. Consult your USG sales office or representative for information.

NOTICE

We shall not be liable for consequential, incidental or special damages, directly or indirectly sustained, nor for any loss caused by application of these goods not in accordance with current printed instructions or for other than the intended use. Our liability is expressly limited to the replacement of defective goods or a refund of the purchase price, at USG's option, and does not include costs of labor, floor-covering materials, or any other costs associated with material replacement. Any claim shall be deemed waived unless made in writing to us within thirty (30) days from date it was or reasonably should have been discovered. For all applicable warranty information, please refer to *USG Levelrock® Brand & USG Durock™ Brand Performance Flooring Products Two-Year Limited Warranty for USG Levelrock Applicators (IG1727)* located at usg.com. For all terms and conditions see usg.com/terms-and-conditions.

SAFETY FIRST!

Follow good safety/industrial hygiene practices during installation. Wear appropriate personal protective equipment. Read applicable SDSs and literature before specification and installation.



800.USG.4YOU
800 (874.4968)
usg.com

Manufactured for
United States Gypsum Company
550 West Adams Street
Chicago, IL 60661

IG1919-USA-ENG/rev. 9-25
© 2025 USG Corporation and/or
its affiliates. All rights reserved.
Printed in U.S.A.

