



Purist® | K-T14421-3

Rite-Temp® bath and shower trim kit with push-button diverter and cross handle, 2.5 gpm

Features

- Cross handles
- Push-button diverter
- 90° spout
- Completes Purist design solution with KOHLER fixtures and accessories
- Rite-Temp® pressure-balancing technology maintains water temperature within +/- 3°F



Available Colors/Finishes

Color tiles intended for reference only.

- CP Polished Chrome
- SN Vibrant Polished Nickel
- AF Vibrant French Gold
- BN Vibrant Brushed Nickel
- BV Vibrant Brushed Bronze
- BL Matte Black
- 2MB Vibrant Brushed Moderne Brass
- TT Vibrant Titanium
- BGP Vibrant Brushed Graphite



1-800-4KOHLER (1-800-456-4537)
Kohler Co. reserves the right to make revisions without notice to product specifications.
For the most current specification sheet, go to www.kohler.com USA or www.kohler.ca Canada.
5-12-2026 23:10 - US-CA

THE BOLD LOOK
OF **KOHLER**

Codes/Standards

ASME A112.18.1/CSA B125.1
DOE - Energy Policy Act 1992

Technical Information

All product dimensions are nominal.

Handle

Handle Style/ Type: Cross

Spout

Spout Reach: 7-3/4" (198 mm)

Flow Rate

Shower/Rainhead Rated 2.5 gpm (9.5 l/min)

Maximum Flow:

Handshower Rated Maximum 2.5 gpm (9.5 l/min)

Flow:

Valves

Required Valves: Diverter, Pressure Balance

Material

- Premium material construction for durability and reliability
 - KOHLER finishes resist corrosion and tarnishing
-

Recommended Products/Accessories

K-23723 Faucet cleaner

Required Products/Accessories

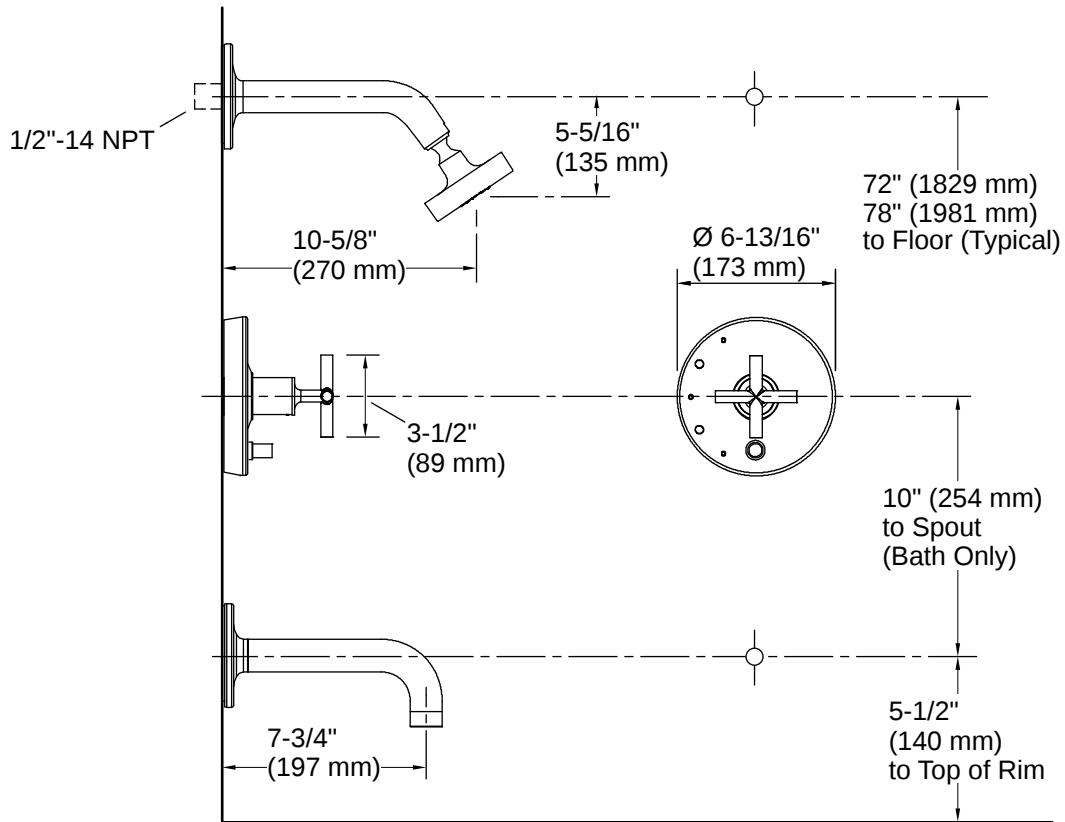
- K-11748 Series Rite-Temp® Valves
-

Warranty

See website for detailed warranty information.

KOHLER® Faucet Lifetime Limited Warranty





Installation

- NPT connection

Installation Notes

Install this product according to the installation instructions.

Avoid cross-flow conditions. Do not install shut-off device on either valve outlet.

Cap the shower outlet if deck-mount spout, diverter, or handshower is connected to the spout outlet.

