

Composed® | K-T73087-4

Floor-mount bath filler trim with handshower

Features

- Metal construction
- Adjustable handshower sprayface rotates to select wide coverage or forceful utility spray
- MasterClean™ sprayface features an easy-to-clean surface that withstands mineral buildup and maximizes spray performance
- Complete range of faucets, accessories and showering components to coordinate a full bathroom



Sustainability



Available Colors/Finishes

Color tiles intended for reference only.

- SN Vibrant Polished Nickel
- BN Vibrant Brushed Nickel
- BV Vibrant Brushed Bronze
- BL Matte Black
- 2MB Vibrant Brushed Moderne Brass
- TT Vibrant Titanium
- BGP Vibrant Brushed Graphite



Codes/Standards



ASME A112.18.1/CSA B125.1
DOE - Energy Policy Act 1992
EPA WaterSense®
California Energy Commission (CEC)

Technical Information

All product dimensions are nominal.

Handle

Handle Style/ Type: Lever

Spout

Spout Reach: 8-1/4" (210 mm)

Flow Rate

Faucet Flow Rate: 7.5 gpm (28.4 l/min)

Handshower Rated Maximum Flow: 1.75 gpm (6.6 l/min)

Valves

Required Valves: Thermostatic, Volume Control

Material

- KOHLER finishes resist corrosion and tarnishing

Recommended Products/Accessories

- K-23723 Faucet cleaner
- K-73146 Double robe hook
- K-73144 24" double towel bar
- K-73145 Towel arm
- K-73148 Vertical toilet paper holder
- K-73141 18" towel bar
- K-73142 24" towel bar
- K-73147 Pivoting toilet paper holder

Required Products/Accessories

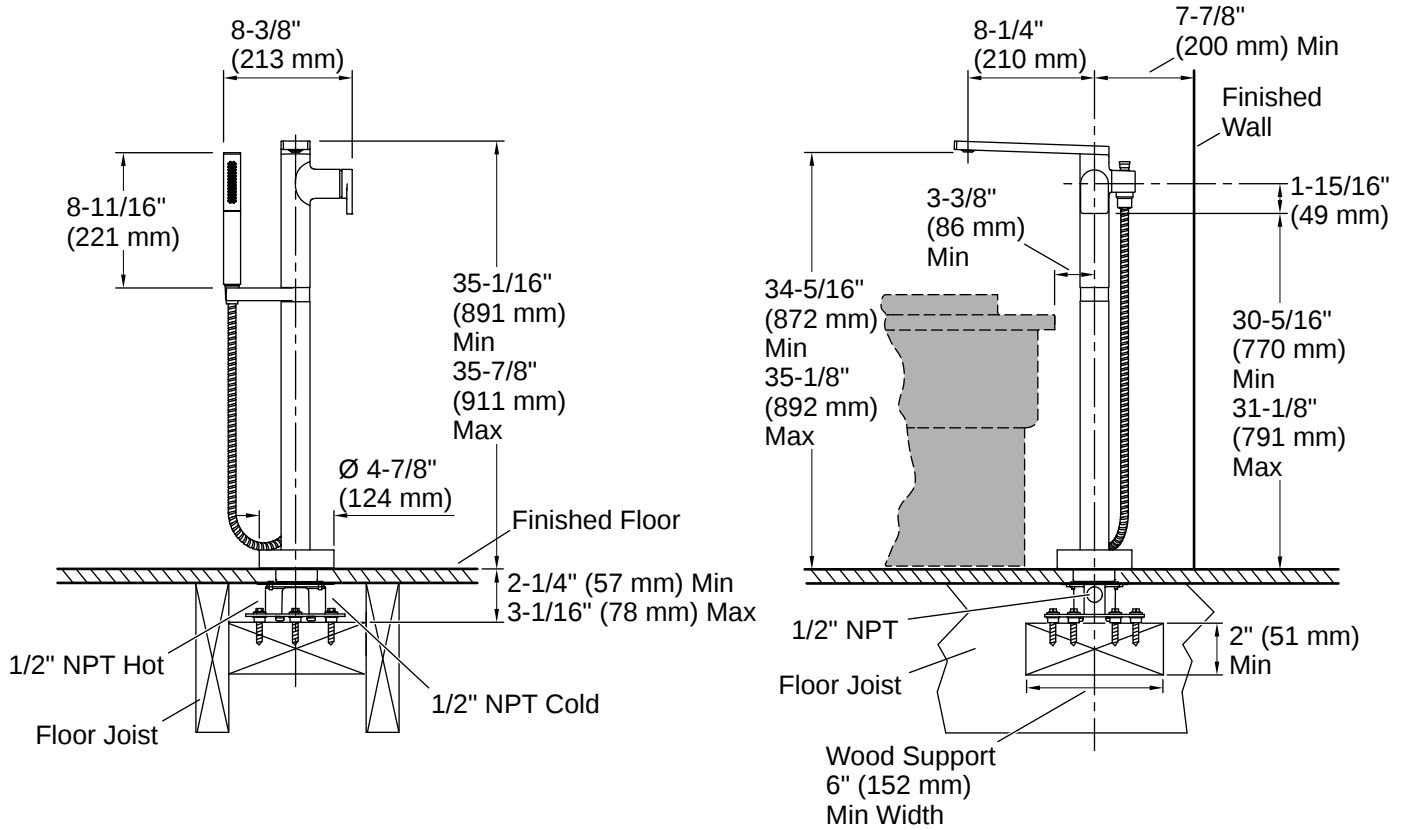
- K-97339 Mounting block for select floor-mount bath fillers

Warranty

See website for detailed warranty information.

KOHLER® Faucet Lifetime Limited Warranty





Installation Notes

Install this product according to the installation instructions.

Adequate floor space is required. The wood support must be a minimum of 2" (51 mm) thick by 6" (152 mm) wide. 2x6 lumber is NOT adequate for this application.

Concrete can be used as the floor support. Requires a 3/16" masonry drill bit and six 1/4" x 1-3/4" concrete screws, which are not included.

