



Pinstripe® Pure | K-TLS13134-4A

Rite-Temp® shower trim kit with lever handle, without showerhead

Features

- Includes faceplate with handle, shower arm and flange
- A single handle controls both on/off activation and temperature setting
- Supplied with ADA-compliant metal Pure design lever handle
- For use with any KOHLER showerhead (sold separately)
- Complements Pinstripe faucets and accessories



Available Colors/Finishes

Color tiles intended for reference only.

- CP Polished Chrome
- SN Vibrant Polished Nickel
- BN Vibrant Brushed Nickel



1-800-4KOHLER (1-800-456-4537)
Kohler Co. reserves the right to make revisions without notice to product specifications.
For the most current specification sheet, go to www.kohler.com USA or www.kohler.ca Canada.
4-15-2026 3:11 - US-CA

THE BOLD LOOK
OF **KOHLER**

Codes/Standards

ASME A112.18.1/CSA B125.1

Technical Information

All product dimensions are nominal.

Handle

Handle Style/ Type: Lever

Valves

Required Valve: Pressure Balance

Material

- Premium material construction with metal handle ensures reliability and durability
 - KOHLER finishes resist corrosion and tarnishing
-

Recommended Products/Accessories

K-23723 Faucet cleaner

Required Products/Accessories

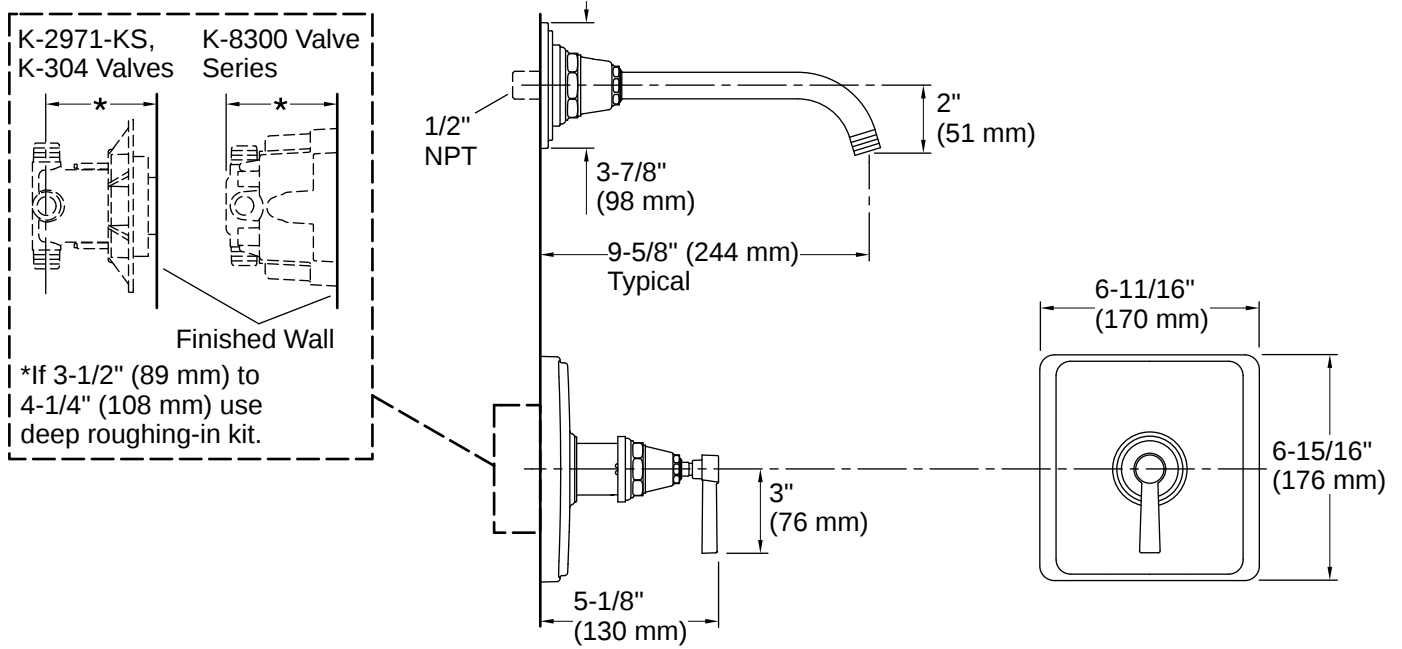
- K-8304 Series Rite-Temp® Valve & Cartridge Kits
- or
- K-8300 Series Rite-Temp® Valve Body Rough-ins
- or
- K-8300 Series Rite-Temp® Valve Body Rough-ins
 - K-8305 Series Rite-Temp® Cartridges
- or
- K-8300 Series Rite-Temp® Valve Body Rough-ins (QTY 2)
 - K-8305 Series Rite-Temp® Cartridges
-

Warranty

See website for detailed warranty information.

KOHLER® Faucet Lifetime Limited Warranty





Installation

- Trim only; requires valve to complete installation (sold separately)

Installation Notes

Install this product according to the installation instructions.

NOTICE: Risk of product damage. Long screws for installing trim can damage the K-2971-KS valve. Consult the trim installation guide to verify if the thin wall installation kit (88526) is needed.

