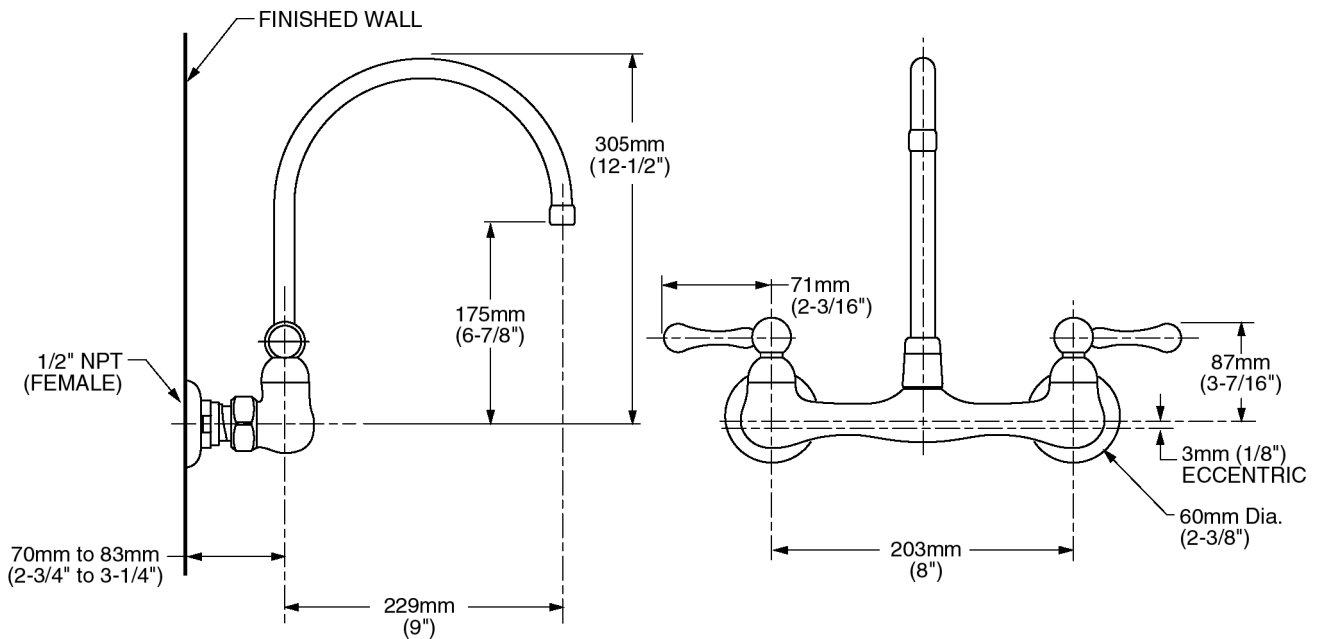


7293.152 Shown.

MODEL NUMBER:

- ☐ **7293.152 Wall-Mount Sink Faucet**
Gooseneck swivel spout. Brass Lever Handles.
- ☐ **7293.252 Wall-Mount Sink Faucet**
Same as above. Porcelain Lever Handles.



GENERAL DESCRIPTION:

Durable brass construction throughout. Amarilis 1/4 turn washerless ceramic disc valve cartridges. One-half inch NPT female inlets with brass coupling nuts. Brass gooseneck swivel spout. 2.2gpm/8.3L/min. maximum flow rate.

PRODUCT FEATURES:

- Ceramic Disc Valve Cartridges:** Assures a lifetime of drip-free performance.
- Solid Brass Construction:** Durable - Excellent in high use applications. Ideal for prolonged contact with water.
- Low Lead:** Meets NSF Standard 61/Section 9 & Prop 65 lead requirements.

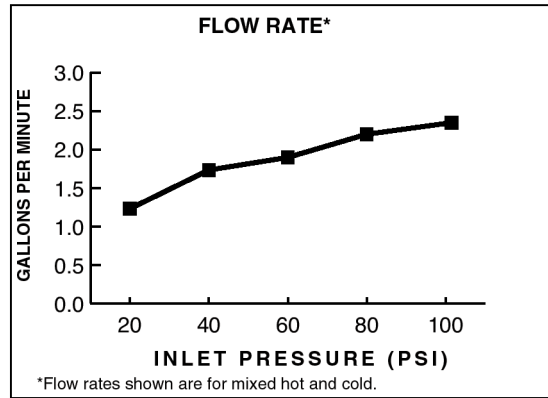
SUGGESTED SPECIFICATION:

Wall-mount sink faucet shall be cast brass construction with all brass coupling nuts. Shall also feature 1/4 turn washerless ceramic disc valve cartridges. Fitting shall be American Standard Model #7293.____.____.


CODES AND STANDARDS

These products meet or exceed the following codes and standards:

- ANSI A117.1**
- ASME A112.18.1**
- CSA B 125**
- NSF 61/Section 9**



Product Number	Description	Finish
		Polished Chrome 002
7293.152	Wall-mount sink faucet. Brass Gooseneck spout. Brass Lever Handles.	
7293.252	Wall-mount sink faucet. Brass Gooseneck spout. Porcelain Lever Handles.	

 Meets the American Disabilities Act Guidelines and **ANSI A117.1** Requirements for the physically challenged.