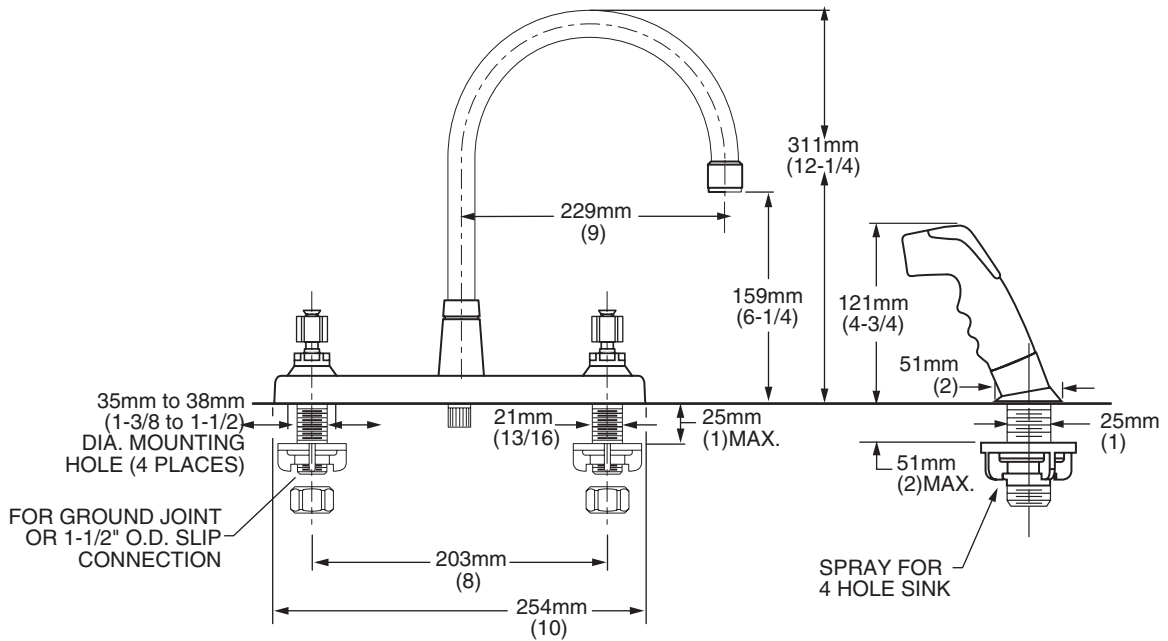


6274.000 Shown. Handles must be ordered separately.

MODEL NUMBER:

- ❑ 6274.000 Top-Mount Kitchen Faucet
Handspray. Less handles.
- ❑ 6275.000 Top-Mount Kitchen Faucet
Less spray. Less handles.

Handles must be ordered separately.



GENERAL DESCRIPTION:

Durable cast brass construction. Amarilis 1/4 turn washerless ceramic disc valve cartridges - reversible for use with either lever or round handles. One-half inch male inlet shanks with brass coupling nuts. Brass swing spout. Brass escutcheon plate (escutcheon size 10"L x 2-1/8"W). 2.2gpm/8.3L/min. maximum flow rate.

PRODUCT FEATURES:

Brass Construction: Durable - Excellent in high use applications. Ideal for prolonged contact with water.

Ceramic Disc Valve Cartridges: Assures a lifetime of drip-free performance.

Low Lead: Meets NSF Standard 61/Section 9 & Prop 65 lead requirements.

Wide Selection of Handle Styles: Full range of interchangeable handle styles.

SUGGESTED SPECIFICATION:

Two handle top-mount kitchen faucet shall feature cast brass construction with all brass inlet shanks and coupling nuts. Shall also feature 1/4 turn washerless ceramic disc valve cartridges that are reversible for use with round or lever handles. Fitting shall be American Standard Model #627_.000.____ and handle kit # 0000.____.



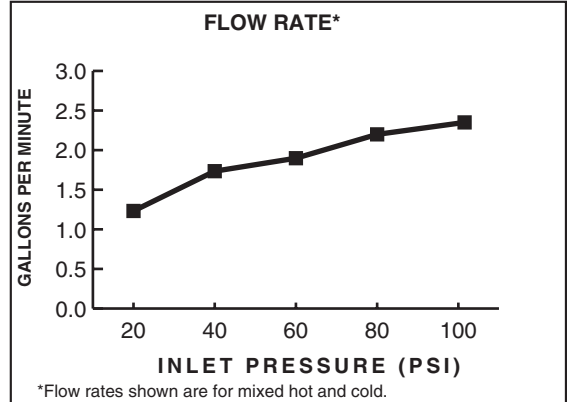
HERITAGE

TWO-HANDLE TOP-MOUNT KITCHEN FAUCET WITH BRASS GOOSENECK SPOUT

CODES AND STANDARDS

These products meet or exceed the following codes and standards:

- ASME A112.18.1
- CSA B 125
- NSF 61/Section 9



Product Number	Description	Finish
		Polished Chrome
		002
6274.000	Kitchen faucet. Gooseneck swing spout. Handspray. Less handles.	
6275.000	Kitchen faucet. Gooseneck swing spout. Less handspray. Less handles.	

Handles must be ordered separately.

To order **Less Handles** - Specify: 4 digit style number followed by three zeros and 3 digit finish number.
 Example 6274.000.002 = Kitchen faucet with hand spray in Polished Chrome finish.

The above fittings will accept the following Amarelis-Series handles.

172H 172V	152H 152V	142H 142V	102H 102V	112H

Meets the American Disabilities Act Guidelines and **ANSI A117.1** Requirements for the physically challenged.