

**3375.502 Shown**

**MODEL NUMBER:**

- 3375.502 Bath/Shower Fitting**  
 I.P.S. tub spout. Easy Clean showerhead.  
 Metal Lever handles.
  
- 3375.302 Bath/Shower Fitting**  
 I.P.S. tub spout. Easy Clean showerhead.  
 Acrylic Knob handles.



**GENERAL DESCRIPTION:**

Cast brass valve body on 8 inch centers. 1/4 turn washerless ceramic disc valve cartridges - reversible for use with either lever or knob handles. 1/2" N.P.T. female threaded inlets and outlets. Easy clean showerhead with 2.5 gpm/9.5L/min. flow restrictor.

**PRODUCT FEATURES:**

**Brass Construction:** Durable - Ideal for prolonged contact with water. Provides the finest surface for application of all finishes.

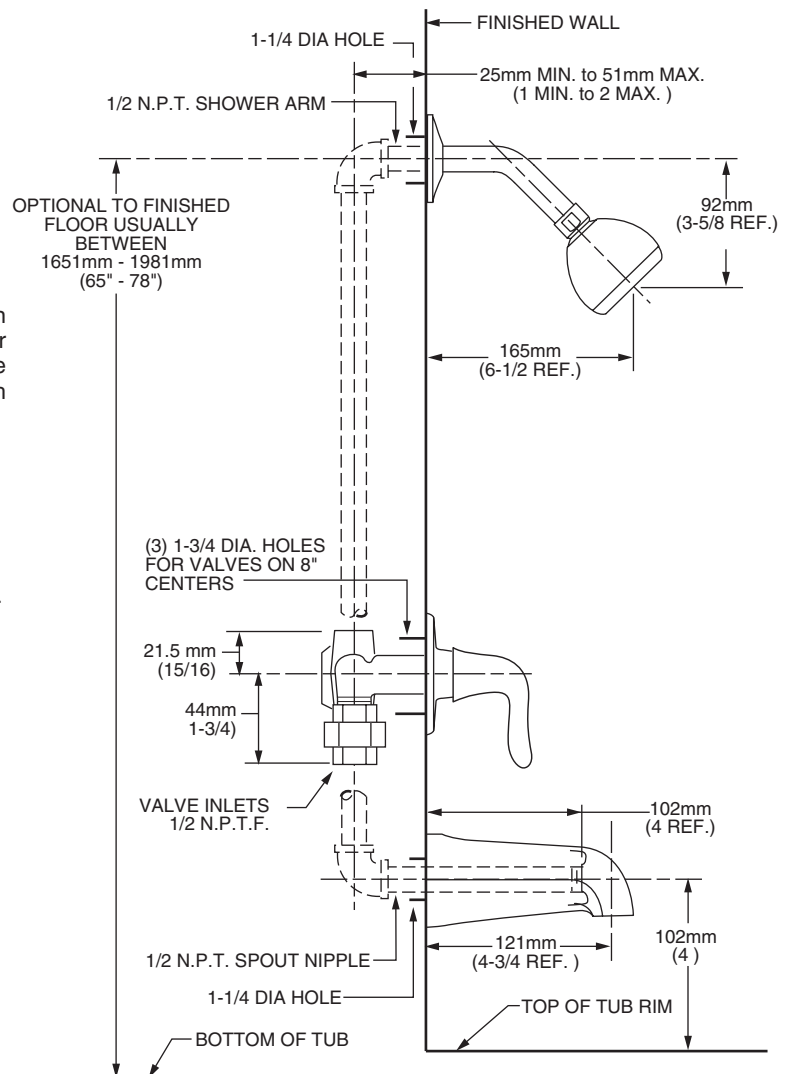
**Ceramic Disc Valve Cartridges:** Assures a lifetime of smooth handle operation and drip-free performance.

**Integral Unions:** No soldering required.

**Exclusive Handle Alignment System:** Allows fine tuning of handle position.

**Choice of Finishes:** Wide range of durable finishes.

**Exclusive Plaster Guard:** Plaster guard can be used to test for leaks prior to handle installation.



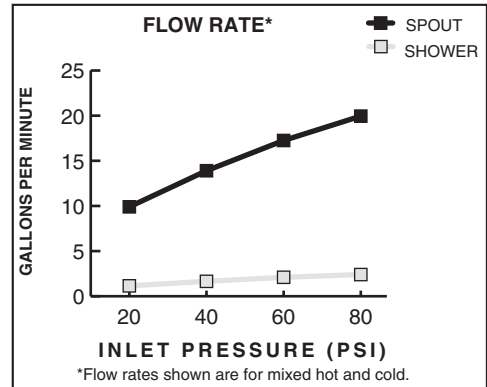
**SUGGESTED SPECIFICATION:**




Three handle bath/shower fitting shall feature cast brass construction. Shall also feature 1/4 turn washerless ceramic disc valve cartridges that are reversible for use with lever or knob handles. Fitting shall be American Standard Model # 3375.\_\_\_\_.

**CODES AND STANDARDS**


These products meet or exceed the following codes and standards:

**ASME A112.18.1  
CSA B 125**



|  | Product Number  | Description  | Finish Options  |                    |                      |
|--|---|--|-----------------|--------------------|----------------------|
|  |   |  | Polished Chrome | PVD Polished Brass | Chrome PVD Brass Mix |
|  |   |  | 002             | 099                | 299                  |
|  |  3375.502  | Three handle Bath/Shower. I.P.S. tub spout. Easy Clean Showerhead. Metal Lever handles.  |                 |                    |                      |
|  |  3375.302 | Three handle Bath/Shower. I.P.S. tub spout. Easy Clean showerhead. Acrylic Knob handles. |                 | N/A                | N/A                  |

**N/A = NOT AVAILABLE**

 Meets the American Disabilities Act Guidelines and **ANSI A117.1** Requirements for the physically challenged.