

2555.602

2555.652

**GENERAL DESCRIPTION:**

Cast brass valve body. Washerless 47mm ceramic disc valve cartridge cycles from "Off" to "Cold" to "Hot". Hot limit safety stop. Pressure balancing cartridge maintains constant output temperature in response to changes in relative hot and cold supply pressures. 1/2" NPT threaded inlets/outlets with screwdriver stops. 4-1/2" easy clean "Rain" showerhead has 2.5gpm/9.5L/min. flow restrictor. Cast brass shower arm. Integral diverter. Durable brass wall escutcheon. Metal lever handle. Rough-in plaster guard designed for use as thin-wall mounting adaptor. Brass tub spout.

**PRODUCT FEATURES:**

**Solid Brass Construction:** Durable, ideal material for prolonged contact with water.

**Ceramic Disc Valve Cartridge:** Assures a lifetime of drip-free performance.

**Pressure Balancing Valve:** Maintains output temperature in response to changes in relative hot and cold supply pressure. Diaphragm system engineered to eliminate cross flow and spool "thumping". Avoids failure due to mineral deposits - ideal for use with hard water.

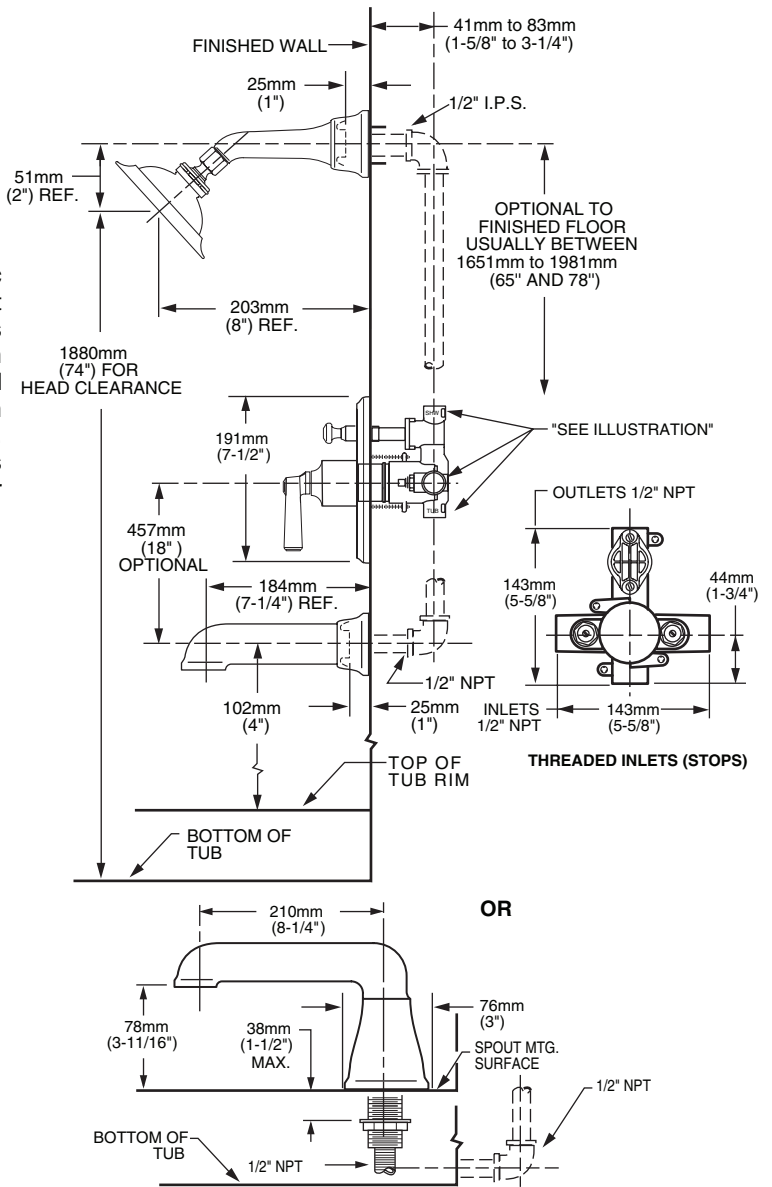
**Built-in Diverter:** Easy to use, integrated in valve body and includes positive shut-off. Allows spout and showerhead in any desired installation location.

**Adjustable Hot Limit Safety Stop:** Limits the amount of hot water allowed to mix with cold. Reduces the risk of accidental scalding.

**Integral Plaster Guard and Mounting Plate:** Plaster guard designed to protect valve during installation and to serve as a mounting plate for thin wall installations.

**MODEL NUMBER:**

- 2555.602 Pressure Balance Bath/Shower**  
 Built-in diverter. "Rain" showerhead. Brass tub spout.  
 For wall mount installation.
- 2555.652 Pressure Balance Bath/Shower**  
 Built-in diverter. "Rain" showerhead. Brass tub spout.  
 For deck mount installation.



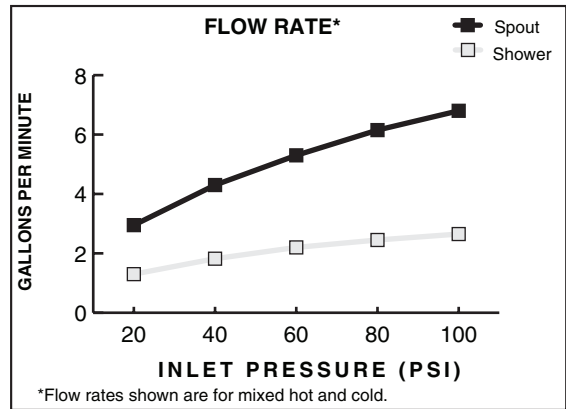
**SUGGESTED SPECIFICATION:**

Bath/shower fitting shall be cast brass construction with all brass spout and showerhead. Shall also feature washerless ceramic disc valve cartridge which allows user to control water temperature. Fitting shall be equipped with a pressure balancing mechanism and hot limit safety stop. Fitting shall be American Standard Model # 2555.\_\_\_\_.\_\_\_\_.


**CODES AND STANDARDS**

These products meet or exceed the following codes and standards:

- ANSI A117.1**
- ASME A112.18.1**
- CSA B 125**
- ASSE 1016**



Product Number	Description	Finish Options*		
		Polished Chrome	PVD Polished Brass	PVD Satin Nickel
		002	099	295
2555.602	Pressure Balance Bath/Shower w/built-in diverter. "Rain" showerhead. Brass tub spout for wall mount installation.			
2555.652	Pressure Balance Bath/Shower w/built-in diverter. "Rain" showerhead. Brass tub spout for deck mount installation..			

 Meets the American Disabilities Act Guidelines and **ANSI A117.1** Requirements for the physically challenged.

**\*EverClean™ Finish:**

- Offered on Polished Chrome (002), Polished Brass (099) and Satin Nickel (295) finish.
- One wipe effortlessly removes spots.
- Eliminates the need for cleaners and scrubbing.