

American Standard

AMARILIS

SPREAD LAVATORY FAUCETS

with EverClean™ Finish

Congratulations on purchasing your American Standard faucet with EverClean finish found only on American Standard faucets.

EverClean Finish

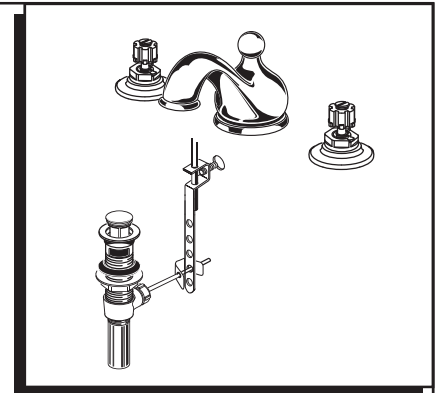
- One wipe effortlessly removes spots
- Eliminates the need for cleaners and scrubbing
- Permanent surface protectant remains beautiful for the life of the faucet
- EverClean™ available on: Polished Chrome, Satin Nickel, Stainless Steel, Polished Brass (or any combination of these finishes)

To ensure that your installation proceeds smoothly-please read these instructions carefully before you begin.

Installation Instructions

3801 SERIES

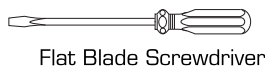
3841 SERIES



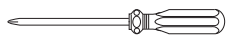
Certified to comply with ANSI A112.18.1M
U.S. Patent No. 5,819,789

43167 REV. 1.1

Required Tools

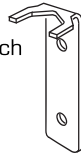


Flat Blade Screwdriver



Phillips Screwdriver

*Wrench



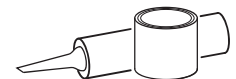
*Supplied with Fitting



Adjustable Wrench



Channel Locks

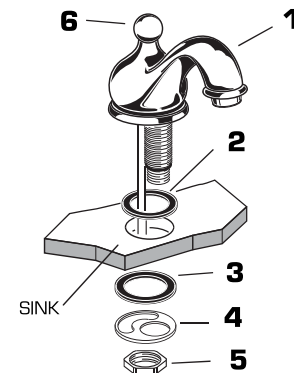


Plumbers' Putty or Caulking

1 SPOUT ASSEMBLY

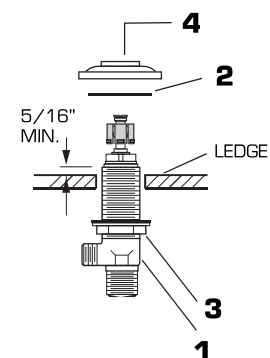
CAUTION Turn off hot and cold water supplies before beginning.

- Insert SPOUT (1) shank through center hole of SINK, making sure RUBBER RING (2) is properly positioned.
- Assemble RUBBER WASHER (3), BRASS WASHER (4) and LOCKNUT (5) onto threads of SPOUT (1) from underside of SINK.
- Insert LIFT ROD (6) through SPOUT (1) and slot of BRASS WASHER (4).
- Align SPOUT (1) and tighten LOCKNUT (5). Be sure slot in BRASS WASHER (4) is positioned to the rear as shown.



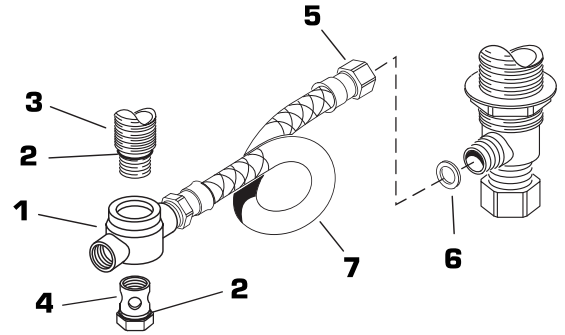
2 VALVE INSTALLATION

- Insert VALVE BODY (1) through hole from underside of SINK. Thread of VALVE BODY (1) should extend at least 5/16 inch above SINK top. If necessary, adjust LOCKNUT (3).
- Place RUBBER RING (2) into ESCUTCHEON (4) and screw ESCUTCHEON (4) onto VALVE BODY (1) until snug against internal stop.
- Set VALVE BODIES (1) so that their outlets are facing toward center of SINK. Tighten LOCKNUT (3) using wrench supplied with faucet.
- Refer to separate "Instruction Sheet" for assembly of handles.



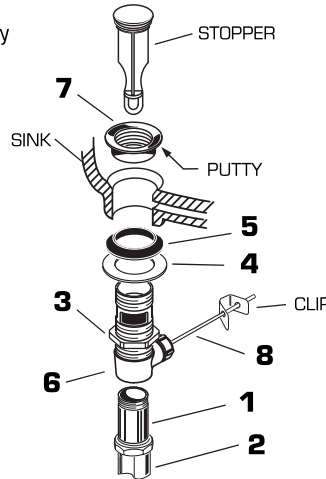
3 TEE AND HOSE INSTALLATION

- Before connecting TEE (1) make certain that O-RINGS (2) are properly seated on SPOUT SHANK (3) and SCREW (4).
- Push SCREW (4) into TEE (1) and tighten SCREW (4) onto SHANK (3) to secure SPOUT connection.
- Place WASHERS (6) inside COUPLING NUTS (5) of HOSE (7) and connect HOSE (7) to each valve outlet. Tighten COUPLING NUTS (5).
- Connect HOT water supply to the left valve and the COLD water to the right valve using sealant and appropriate connectors and coupling nuts.

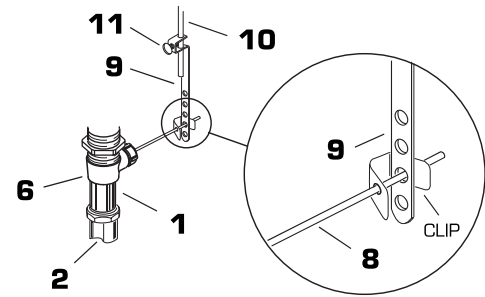


4 INSTALL POP-UP DRAIN

- Push TAILPIECE (1) down into TRAP (2) (threaded end up).
- Thread LOCKNUT (3), WASHER (4) and GASKET (5) onto DRAIN BODY (6).
- Apply a bead of PUTTY to underside of FLANGE (7).
- Feed DRAIN BODY (6) up through SINK and thread FLANGE (7) fully onto BODY (6).
- Tighten LOCKNUT (3) firmly, keeping the PIVOT ROD (8) pointed towards the back of the SINK.
- Drop STOPPER into DRAIN BODY (6).
- Pull TAILPIECE (1) up and thread tightly into DRAIN BODY (6).
- Position EXTENSION ROD (9) onto POP-UP ROD (10) and tighten THUMBSCREW (11).



- Remove one end of CLIP from PIVOT ROD (8) by squeezing ends together while sliding.
- Insert PIVOT ROD (8) into second or third hole in EXTENSION (9) and reassemble CLIP. (EXTENSION may need to be bent.)
- Adjust STOPPER height by repositioning EXTENSION (9) and tightening THUMBSCREW (11).

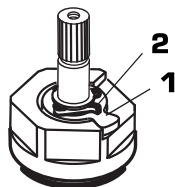


5 TEST INSTALLED FAUCET

- Remove AERATOR.
- With handle in OFF position, turn on water supplies and check all connections for leaks.
- Operate both handles to flush water lines thoroughly. Check spout mounting and hose connections for leaks.
- Operate LIFT ROD and check DRAIN for leaks.
- Turn handles into OFF position and replace AERATOR.

6 SERVICE

- To change direction of handle rotation, proceed as follows:
 - Turn valve to OFF position.
 - Remove INSERT and HANDLE SCREW.
 - Slip HANDLE with ADAPTER off.
 - Remove SPRING CLIP (1).
 - Lift STOP WASHER (2), turn 90° and replace.
 - Replace SPRING CLIP (1).
 - Replace ADAPTER, HANDLE, SCREW, and INSERT.
- AERATOR may accumulate dirt causing distorted and reduced water flow. Remove AERATOR and rinse clean.
- If spout drips, operate handles several times from OFF to ON position. Do not force - handles turn only 90°.



- Plastic SCREEN (3) in CARTRIDGE (4) may accumulate dirt causing reduced water flow. To clean, first turn off hot and cold water supplies, then:
 - Remove INSERT and HANDLE SCREW.
 - Slip HANDLE with ADAPTER off.
 - Unscrew CARTRIDGE (3) with wrench.
 - Thoroughly rinse plastic SCREEN (4) at base of CARTRIDGE (3).
 - Replace CARTRIDGE (3) until flange is tight against valve body.
 - Turn valves OFF.
 - Replace ADAPTER, HANDLE, SCREW, and INSERT.

