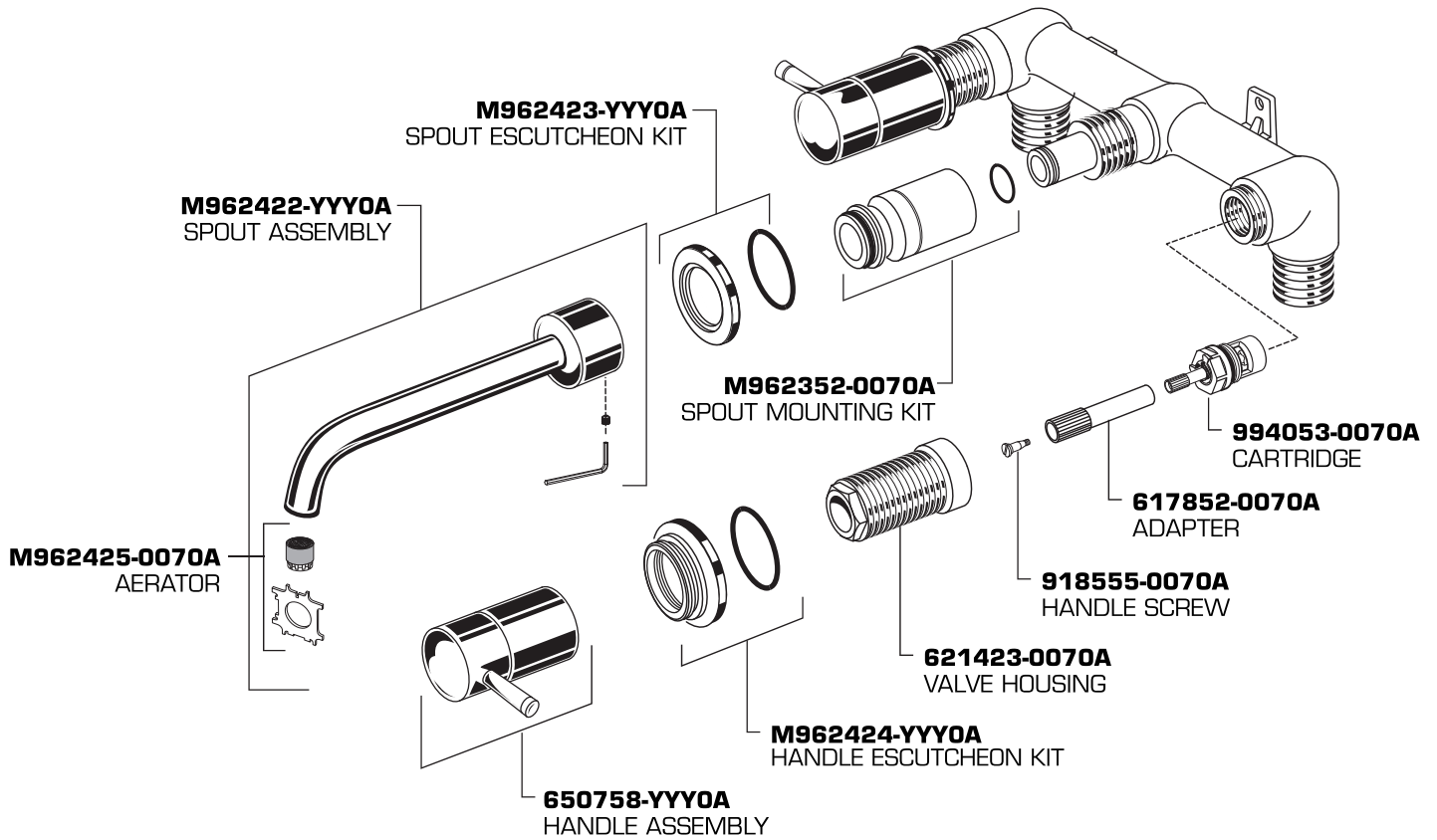


*American Standard*

# ONE WALL MOUNT LAVATORY FAUCET

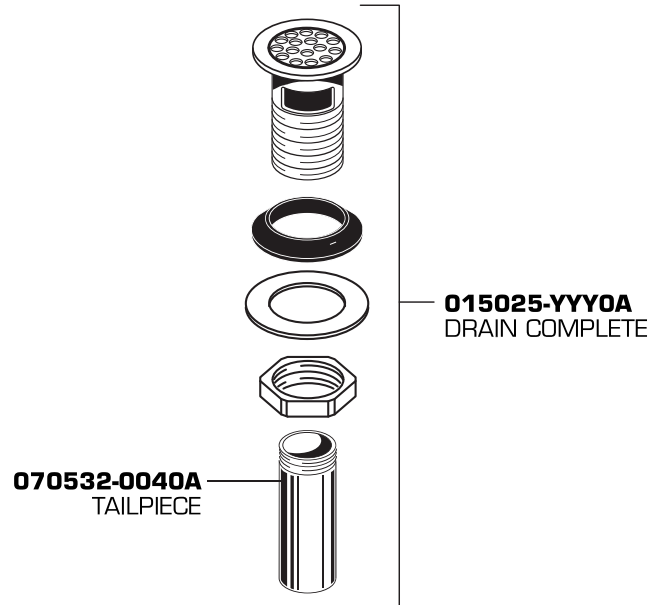
MODEL NUMBER

**2064.451**



Replace the "YYY" with appropriate finish code

CHROME	002
SATIN NICKEL	295



**HOT LINE FOR HELP**  
 For toll-free information and answers to your questions, call:  
 1-800-442-1902  
 Weekdays 8:00 a.m. to 8:00 p.m. EST  
 IN CANADA 1-800-387-0369 (TORONTO 1-905-306-1093)  
 Weekdays 8:00 a.m. to 7:00 p.m. EST  
 IN MEXICO 01-800-839-12-00

Product names listed herein are trademarks of American Standard Inc.  
 © American Standard Inc. 2006

M968852