

ONE

SPREAD LAVATORY FAUCET with EverClean™ Finish & SpeedConnect™ Drain

Congratulations on purchasing your American Standard faucet with EverClean finish and SpeedConnect drain, two features found only on American Standard faucets.

EverClean Finish

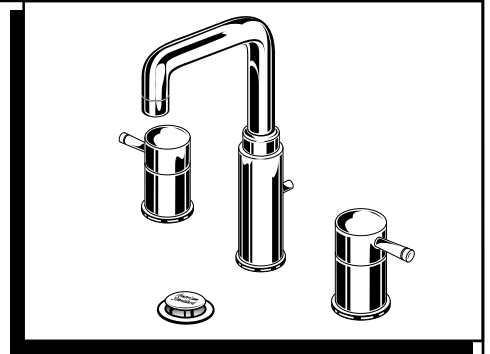
- One wipe effortlessly removes spots.
- Eliminates the need for cleaners and scrubbing.
- Permanent surface protectant remains beautiful for the life of the faucet.
- EverClean™ available on: Polished Chrome, Satin Nickel, Stainless Steel, Polished Brass (or any combination of these finishes)

SpeedConnect Drain*

- Fewer parts, installs in less time.
- Never needs adjustment.
- Guaranteed to seal properly the first time, every time.

*Your new American Standard faucet is designed to work only with the SpeedConnect drain.

To ensure that your installation proceeds smoothly-please read these instructions carefully before you begin.



Certified to comply with ANSI A112.18.1

M968850

Required tools



Screwdriver



Channel Locks



Adjustable Wrench



Tubing Cutter

1 INSTALL FAUCET

CAUTION

Turn off hot and cold water supplies before beginning.

- Seat SEAL (1) into under side of ESCUTCHEON RING (2).
- Seat ESCUTCHEON RING (2) with collar facing up into groove in faucet base.
- Feed FAUCET SUPPLIES (3), MOUNTING STUD (4) and DRAIN CABLE ASSEMBLY (8) through ESCUTCHEON RING (2) and the mounting hole of lavatory or mounting surface. *Figure A.*
- From below, push GASKET (7) and RETAINING WASHER (5) onto MOUNTING STUD (4). Secure Faucet with MOUNTING NUT (6), pulling faucet to front of sink, so SUPPLIES (3) rests against mounting hole. Before final tightening, make sure collar on MOUNTING NUT (6) is seated into RETAINING WASHER (5). *Figure B.*
- Adjust Faucet so that it is centered. Tighten MOUNTING NUT (6) to complete faucet mounting.

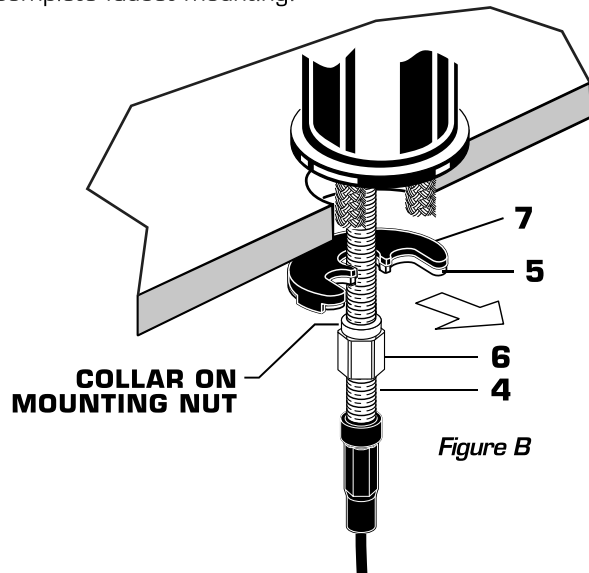


Figure B

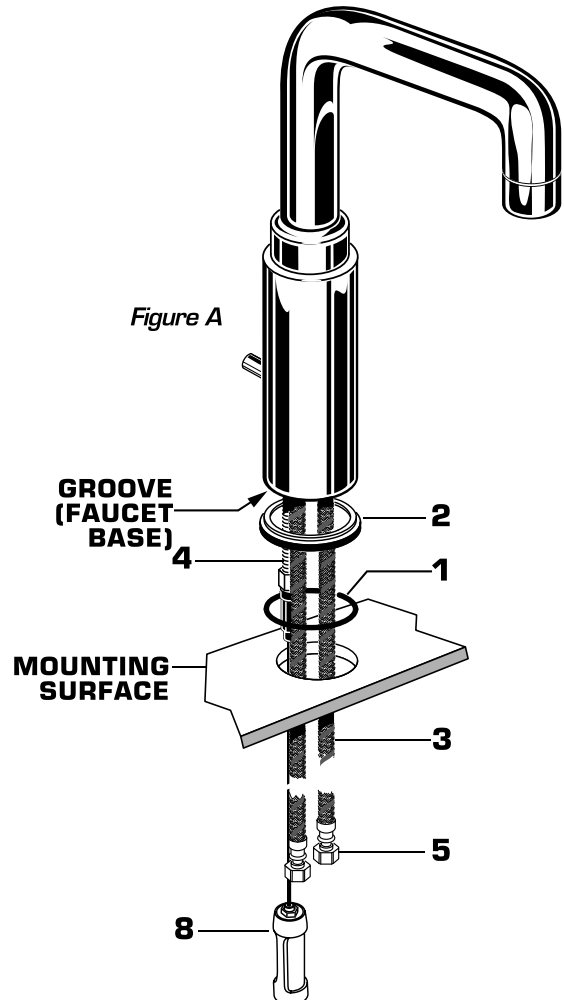
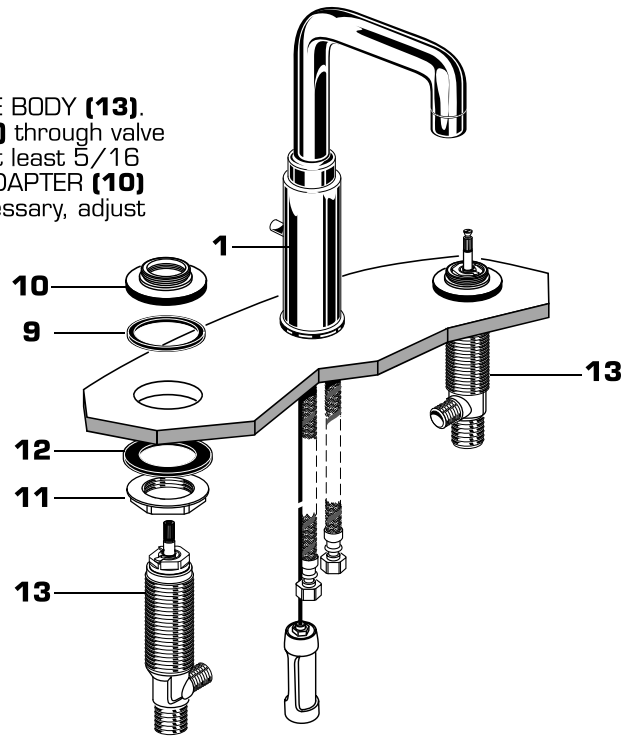
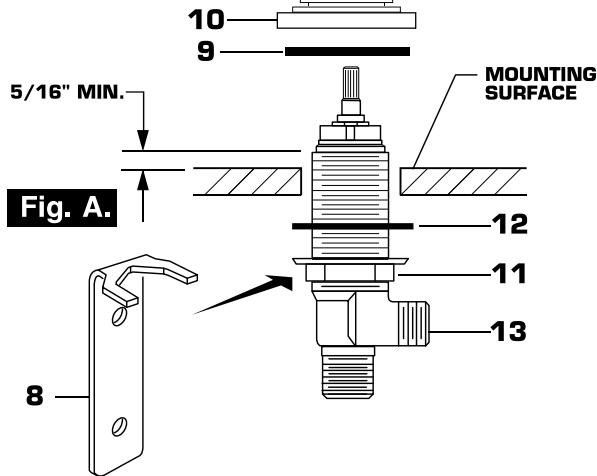


Figure A

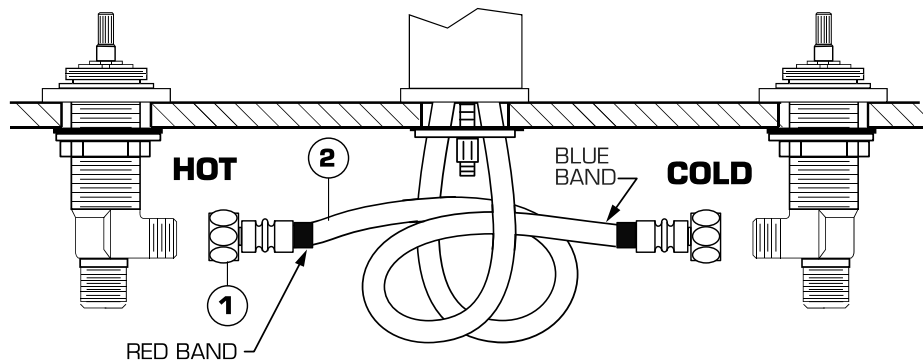
2 VALVE INSTALLATION

- Place RUBBER RING (9) into DECK ADAPTER (10).
- Install LOCKNUT (11) and RUBBER WASHER (12) onto VALVE BODY (13). From under side of mounting surface, install VALVE BODY (13) through valve mounting holes. Threads of VALVE BODY (13) should extend at least 5/16" of a inch above mounting surface top. **Fig. A.** Thread DECK ADAPTER (10) onto VALVE BODY (13) until snug against internal stop. If necessary, adjust LOCKNUT (11).



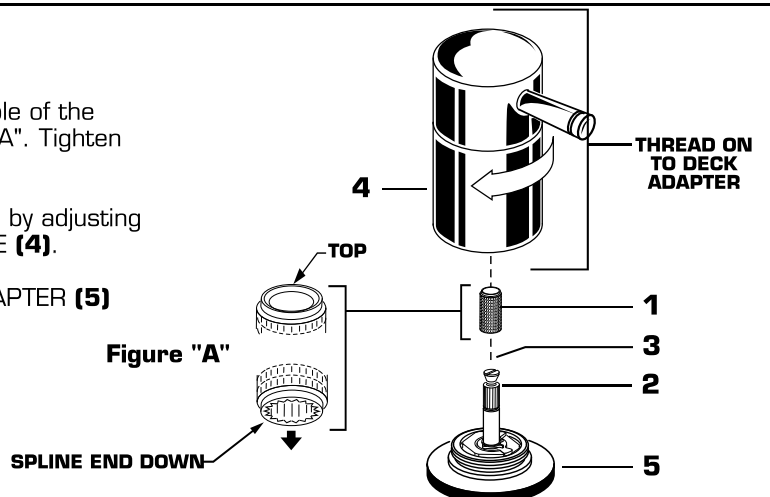
3 VALVE OUTLET SUPPLY CONNECTION

- Connect Red Banded Hose to Left Valve and Blue Banded Hose to Right Valve.
 - Attach COUPLING NUTS (1) of SUPPLY HOSES (2) and tighten making water tight connection.
- Important: Loop SUPPLY HOSES (2) as illustrated so they do not kink.*



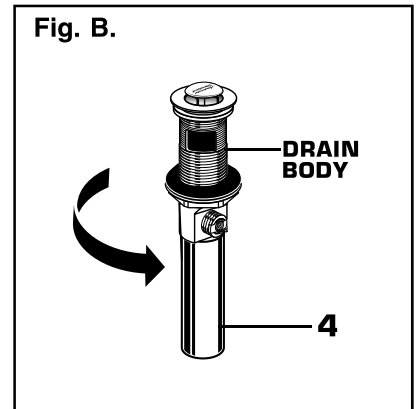
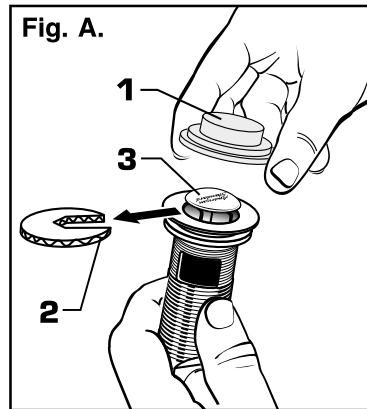
4 INSTALL HANDLES

- Push ADAPTER (1) on VALVE STEM (2), so that the hole of the ADAPTER (1) without a spline is facing up. See figure "A". Tighten STEM SCREW (3) to secure ADAPTER (1).
- Find correct position of LEVER HANDLE ASSEMBLY (4) by adjusting male teeth on ADAPTER (1) to female teeth in HANDLE (4).
- Thread LEVER HANDLE ASSEMBLY (4) onto DECK ADAPTER (5) until snug against mounting surface.



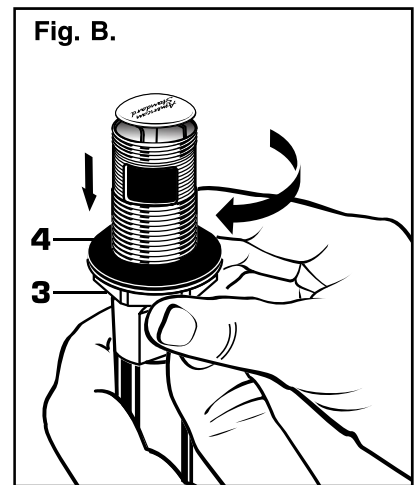
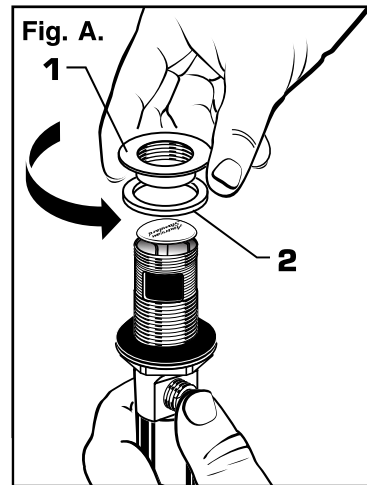
5 POP-UP DRAIN

- Remove CLEAR PLASTIC COVER (1).
- Remove CARDBOARD SPACER (2) from under DRAIN POP-UP (3).
- Tighten TAILPIECE (4) on DRAIN BODY before installing DRAIN BODY. Fig. B.



6 REMOVE FLANGE

- Thread FLANGE (1) counter-clockwise and remove FLANGE (1) and FOAM GASKET (2) from drain body. Fig. A.
- Thread LOCKNUT (3) clock-wise to bottom of drain body. Push GASKET (4) down against LOCKNUT (3). Fig. B.

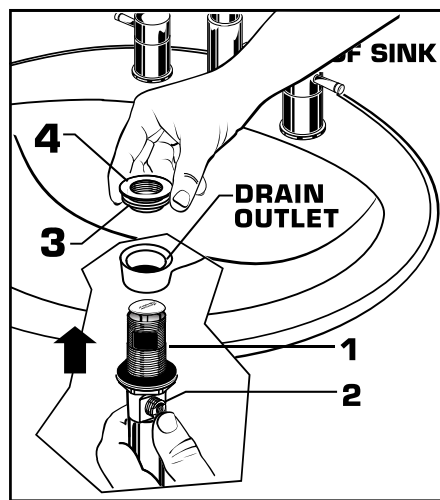


7 INSTALL DRAIN FROM BELOW FIXTURE

- From under side of SINK install DRAIN BODY (1) up through drain outlet.

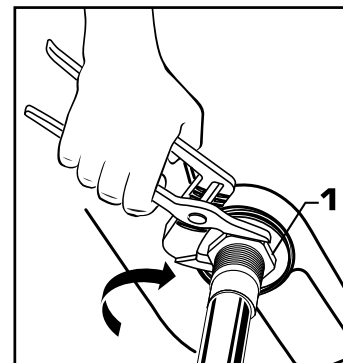
Note: No plumber's putty or caulk is required. The CABLE ATTACHMENT POINT (2) must face towards the rear of the SINK.

- Install FOAM GASKET (3) and FLANGE (4) onto drain body from above SINK and tighten FLANGE (4) firmly.



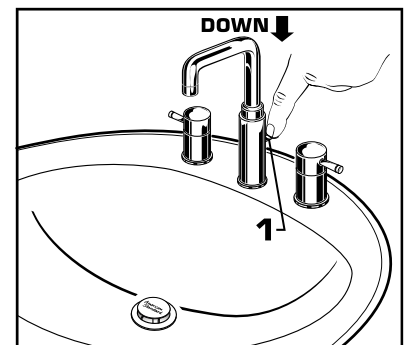
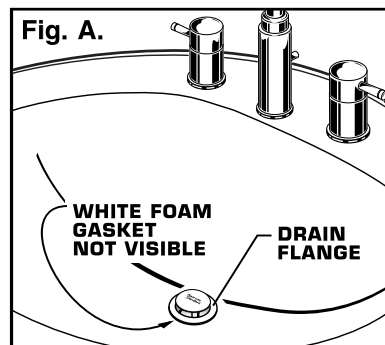
8 TIGHTEN LOCKNUT

- Tighten LOCKNUT (1) firmly with Adjustable Wrench or Channel Locks.



9 FLANGE GASKET AND POP-UP KNOB

- Check DRAIN FLANGE in SINK to ensure that WHITE FOAM GASKET (3) is fully compressed and not visible. Fig. A.
- POP-UP KNOB (1) must be fully down. Fig. B.

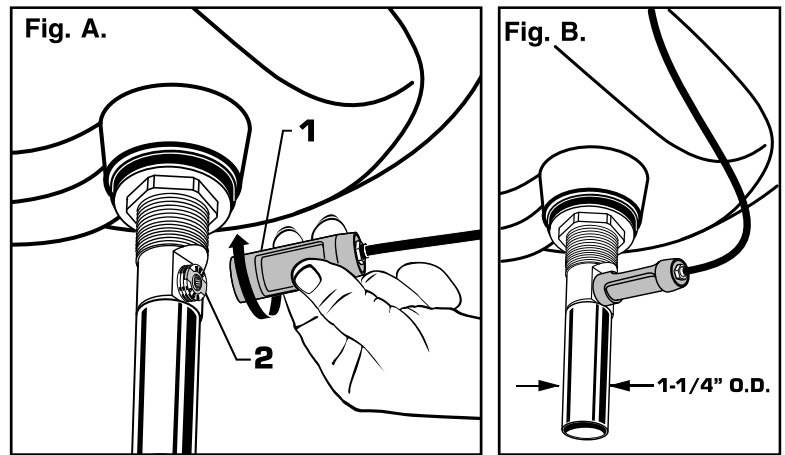


10 ATTACH CABLE CONNECTOR

- Thread CABLE CONNECTOR (1) clockwise onto DRAIN BODY CONNECTION (2) and hand tighten. Fig. A.

Your new POP-UP DRAIN installation is now complete. Fig. B.

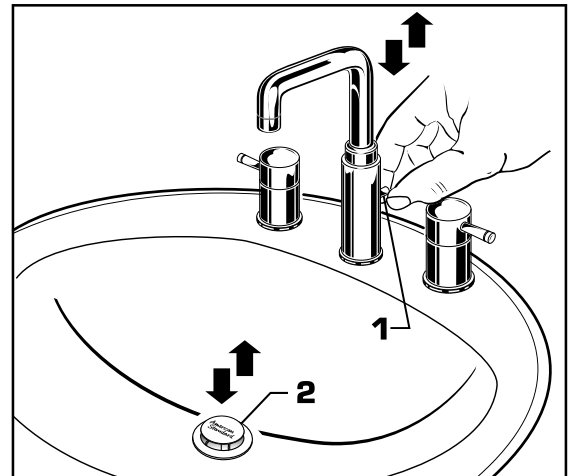
Note: Tailpiece on pop-up drain is 1-1/4" O.D. Fig. B.



11 CHECK OPERATION OF POP-UP

- Operate LIFT KNOB (1) to verify that STOPPER (2) opens and closes.

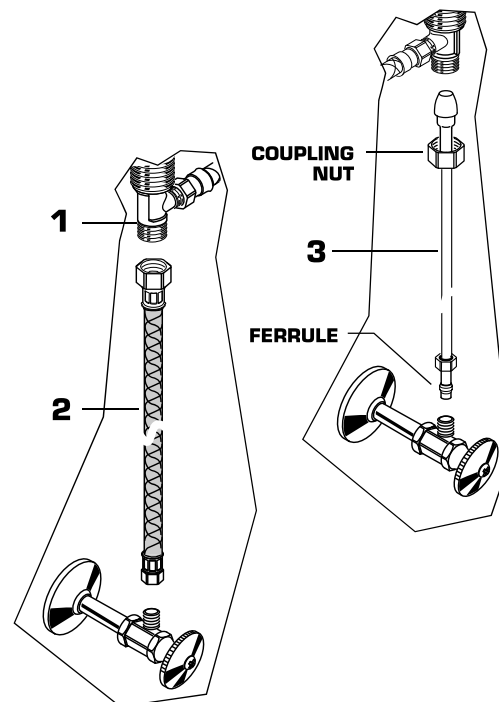
Note: If STOPPER (2) does not open and close properly then refer to the "troubleshooting section" of these instructions.



12 MAKE WATER SUPPLY AND WASTE CONNECTIONS

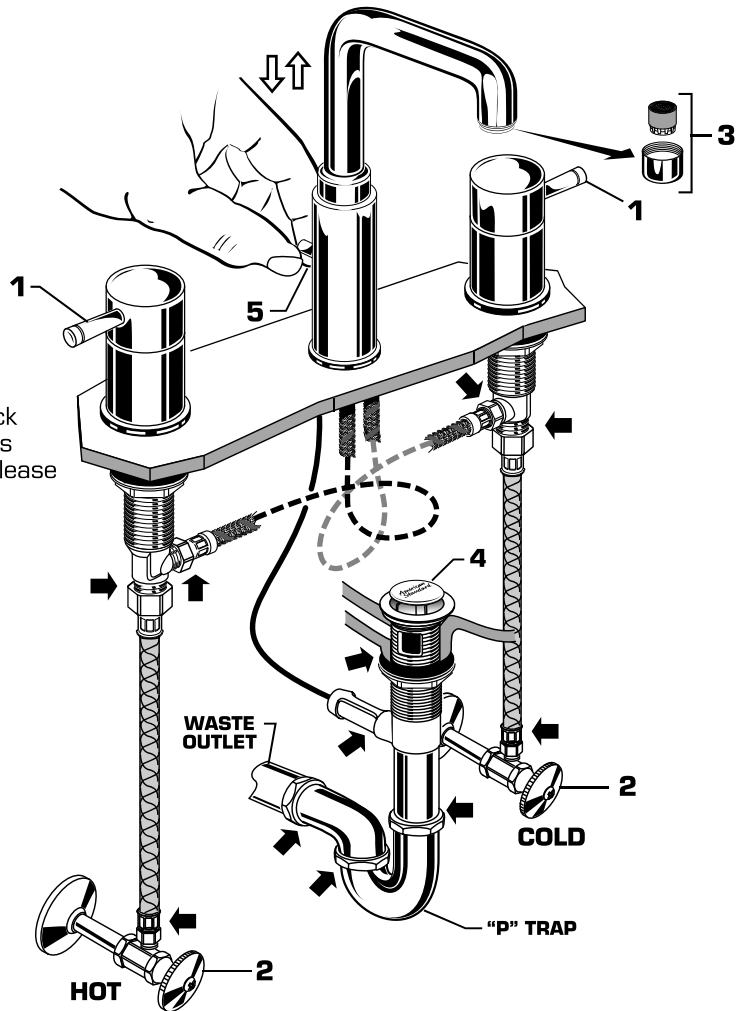
NOTE: FLEXIBLE SUPPLIES OR BULL-NOSE RISERS MUST BE PURCHASED SEPARATELY.

- Connect water supply to FAUCET (1) with 1/2" IPS FLEXIBLE SUPPLIES (2) or 3/8" O.D. BULL-NOSE RISERS (3). Use adjustable wrench to tighten connections.
- Do not over tighten. Be careful not to kink copper supply when bending. Use tubing cutter to cut to proper length.



13 TEST INSTALLED FITTING

- With HANDLES (1) in OFF position, turn on WATER SUPPLIES (2) and check all connections for leaks. ➡
- Remove AERATOR (3).
- Operate both HANDLES (1) to flush water lines thoroughly.
- Replace AERATOR (3).

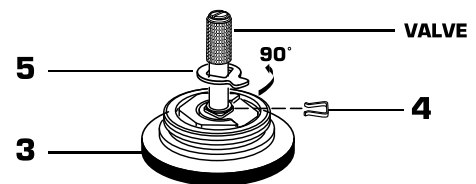
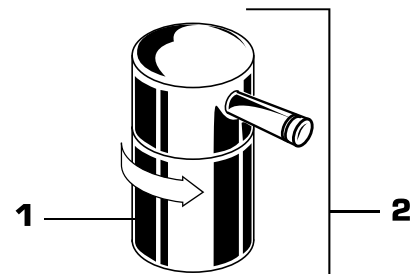


14 CHECK DRAIN CONNECTIONS

- Operate POP-UP KNOB (5) and fill Sink with water. Check that DRAIN STOPPER (4) makes a good seal and retains water in Sink. If STOPPER (4) does not seal properly, please refer to "Troubleshooting Guide" in these instructions.
- Release POP-UP KNOB (5) down and check all drain connections and "P" trap for leaks. ➡ Tighten if necessary.

15 SERVICE

- To change direction of handle rotation, proceed as follows:
 - Turn valve to OFF position.
 - Thread counter-clock wise HANDLE BASE (1) to remove HANDLE ASSEMBLY (2) from ESCUTCHEON BASE (3).
 - Use a flat blade screw driver to remove SPRING CLIP (4).
 - Lift STOP WASHER (5), turn 90° and replace.
 - Replace SPRING CLIP (4).
 - Reinstall HANDLE ASSEMBLY (2).
- If spout drips, operate handles several times from OFF to ON position. Do not force - handles turn only 90°.



16 CARE INSTRUCTIONS:

DO: SIMPLY RINSE THE PRODUCT CLEAN WITH CLEAR WATER. DRY WITH A SOFT COTTON FLANNEL CLOTH.

DO NOT: CLEAN THE PRODUCT WITH SOAPS, ACID, POLISH, ABRASIVES, HARSH CLEANERS, OR A CLOTH WITH A COARSE SURFACE.

M968850

SpeedConnect™ Drain Troubleshooting Guide

If sink does not hold water even though Stopper is in the “down” position:

- Follow CABLE ADJUSTMENT PROCEDURE.

If Stopper does not raise up fully or sink drains too slowly:

- Follow CABLE ADJUSTMENT PROCEDURE.

If you need to remove the Stopper:

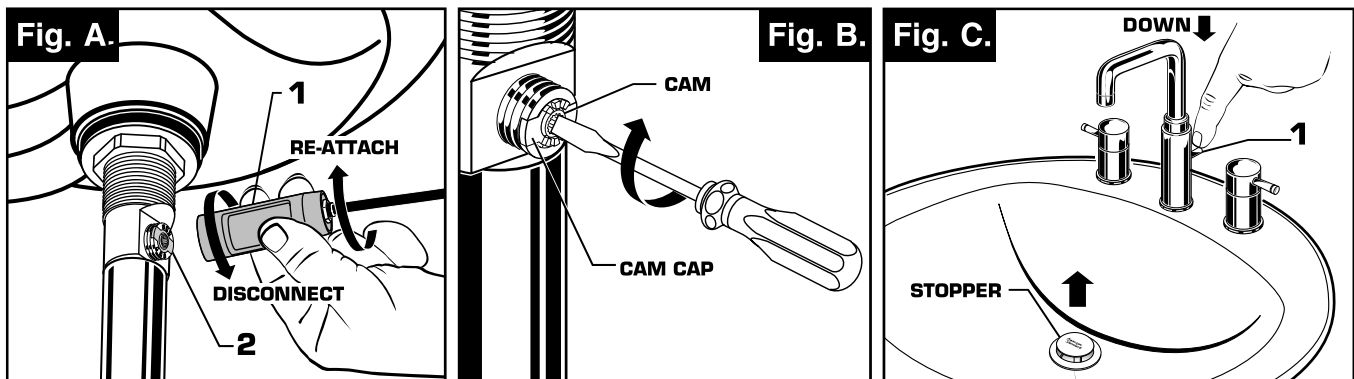
- Follow STOPPER REMOVAL PROCEDURE.

If you would like the ability to remove your Stopper simply by lifting it out of the drain:

- Follow STOPPER INSTALLATION PROCEDURE for “Unlocked” mode.

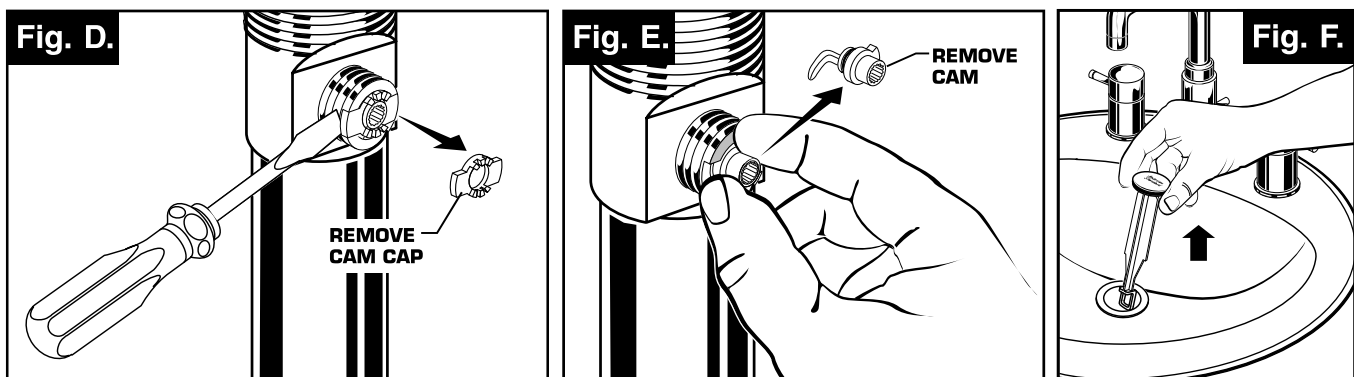
CABLE ADJUSTMENT PROCEDURE

- Disconnect the Cable from the Drain by threading the Cable Connector **(1)** counter-clockwise. **Fig. A.**
- Look at the area on the Drain Body where the Cable was attached and locate the component labeled as “Cam” in the illustration. **Fig. B.**
- Use a small screwdriver to rotate the Cam in the clockwise direction as far as it will go. At this point the Stopper should be in the UP position. **Fig. B, C.**
- Push DOWN on the Lift-Knob to make sure it is fully down. **Fig. C.**
- Re-attach the Cable to the Drain Body Connection **(2)** by threading the Cable Connector **(1)** clockwise onto the Drain Body Connection **(2)** and hand-tighten. **Fig. A.**



STOPPER REMOVAL PROCEDURE

- Disconnect the Cable from the Drain by threading the Cable Connector **(1)** counter-clockwise. **Fig. A.**
- Look at the area on the Drain Body where the Cable was attached and locate the component labeled as “Cam” and “Cam Cap” in the illustration. **Fig. B.**
- Use fingers or small screwdriver under either side of the Cam Cap to pry it out from the Drain. **Fig. D.**
- Remove the Cam by pulling it straight out while wiggling gently to loosen the Rubber Seal. **Fig. E.**
- The Stopper can now be removed by lifting it out of the Drain. **Fig. F.**

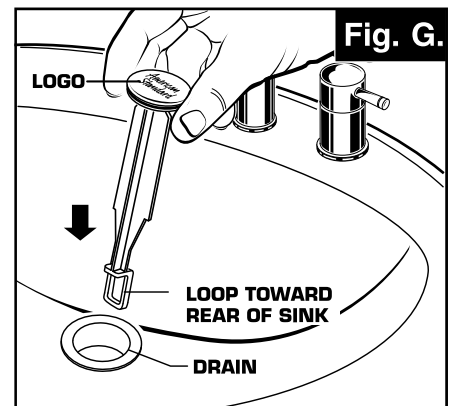


STOPPER INSTALLATION PROCEDURE

The Stopper can be installed two ways, “Locked” Mode (Stopper cannot be removed) or “Unlock” Mode (Stopper is removable).

Locked Mode:

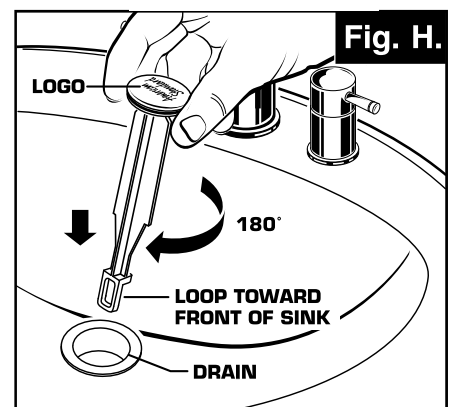
- Look at the Plastic Loop at the bottom of the Stopper and notice that the Loop is on one side of the Stopper. **Fig. G.**
- To install the stopper in “Locked” mode, insert the Stopper into the Drain so that the Plastic Loop is facing toward the **rear** of the Sink and the American Standard logo is facing **front**. Rotate Stopper slightly if necessary so that the Stopper slides all the way down. **Fig. G.**
- Re-install the Cam into the Drain, rotating the Cam if necessary to make sure it is fully inserted. **Fig. J.**
- Re-install the Cam Cap, making sure the guide teeth are facing outward. If the Cam Cap does not “snap” into place, then rotate the Cam to make sure it is fully inserted. **Fig. K.**
- Re-attach Cable. See “CABLE ADJUSTMENT PROCEDURE” in Troubleshooting Guide to complete installation. Stopper will be in “Locked” mode and not be removable.



**Locked Mode
(Vandal Proof)**

Unlocked Mode:

- Look at the Plastic Loop at the bottom of the Stopper and notice that the Loop is on one side of the Stopper. **Fig. H.**
- To install the stopper in “Unlocked” mode, insert the Stopper into the Drain so that the Plastic Loop is facing toward the **front** of the Sink and the American Standard logo is facing **rear**. Rotate Stopper slightly if necessary so that the Stopper slides all the way down. **Fig. H.**
- Re-install the Cam into the Drain, rotating the Cam if necessary to make sure it is fully inserted. **Fig. J.**
- Re-install the Cam Cap, making sure the guide teeth are facing outward. If the Cam Cap does not “snap” into place, then rotate the Cam to make sure it is fully inserted. **Fig. K.**
- Re-attach Cable. See “CABLE ADJUSTMENT PROCEDURE” in “Troubleshooting Guide” to complete installation. Stopper will be in “Unlocked” mode and removable.



Unlocked Mode

