

American Standard

Installation Instructions 4508.400

PRINCETON

Bidet Faucet and Transfer Valve with EverClean™ Finish & SpeedConnect™ Drain

Congratulations on purchasing your American Standard faucet with EverClean finish and Speed Connect drain, two features found only on American Standard faucets.

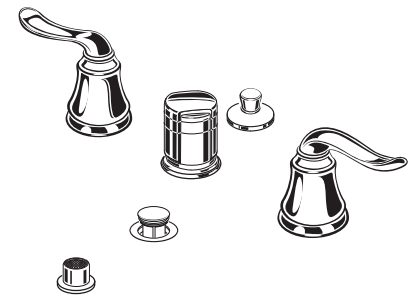
EverClean Finish

- One wipe effortlessly removes spots
- Eliminates the need for cleaners and scrubbing
- Permanent surface protectant remains beautiful for the life of the faucet
- EverClean™ available on: Polished Chrome, Satin Nickel, Stainless Steel, Polished Brass (or any combination of these finishes)

SpeedConnect Drain*

- Fewer parts, installs in less time
- Never needs adjustment
- Guaranteed to seal properly the first time, every time.

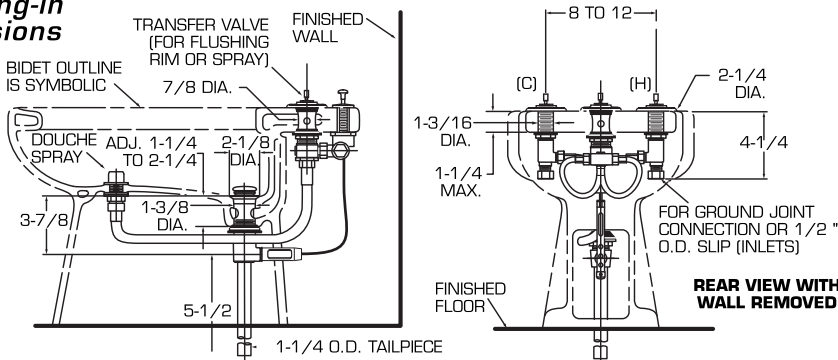
Certified to comply with ANSI A112.18.1
M968845 Rev. 1.1



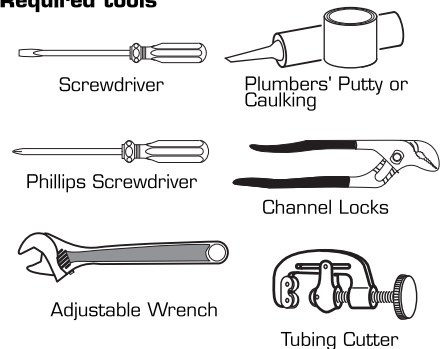
*Your new American Standard faucet is designed to work only with the SpeedConnect drain. Helpful tips for removing your current drain can be found in the Troubleshooting section of these instructions.

To ensure that your installation proceeds smoothly-please read these instructions carefully before you begin.

Roughing-in Dimensions



Required tools



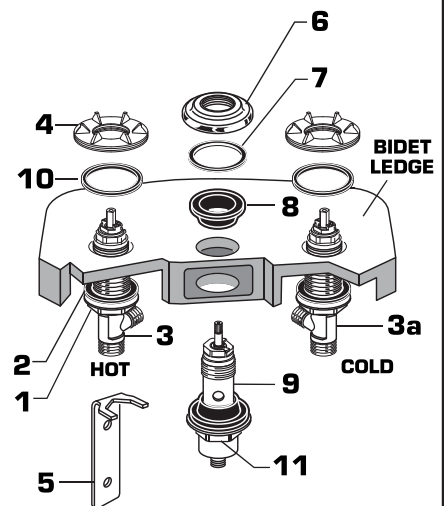
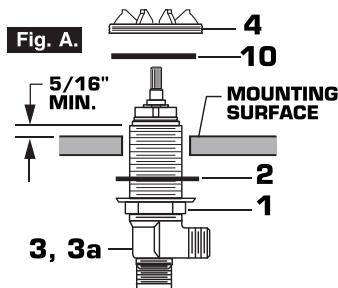
1

BIDET FAUCET INSTALLATION

CAUTION

Turn off hot and cold water supplies before beginning.

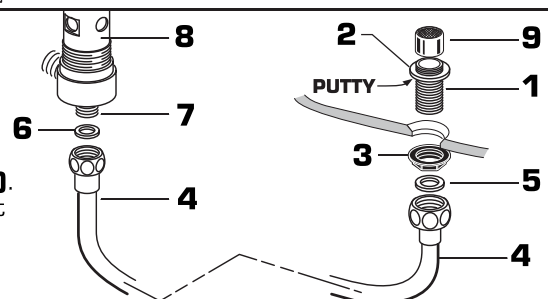
- Place RUBBER RING (10) into ESCUTCHEON (4).
- Install LOCKNUT (1) and RUBBER WASHER (2) onto VALVE BODIES (3, 3a). From under side of mounting surface, install VALVE BODY (3, 3a) through valve mounting holes. Threads of VALVE BODY (3, 3a) should extend at least 5/16 of an inch above mounting surface top. **Fig. A.** Thread DECK ADAPTER (4) onto VALVE BODIES (3, 3a) until snug against internal stop. If necessary, adjust LOCKNUT (1).
- Tighten LOCKNUTS (1) with WRENCH (5) (supplied) to secure VALVE BODIES (3, 3a).
- Remove ESCUTCHEON (6), WASHER (7) and UPPER GASKET (8) from TRANSFER VALVE (9). Insert TRANSFER VALVE (9) into the center forward hole of BIDET.
- Replace UPPER GASKET (8) and WASHER (7) and ESCUTCHEON (6) until it locks against internal stop. Position the side threaded outlet rearward and secure MOUNTING NUT (11).



2

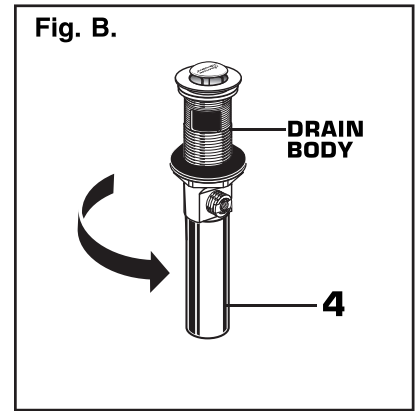
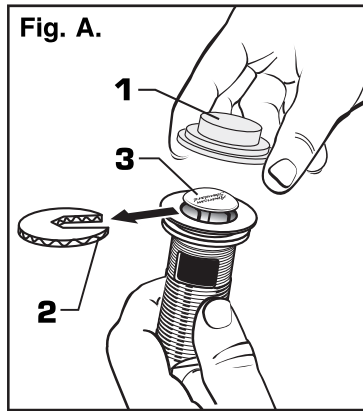
SPRAY INSTALLATION

- Assemble SPRAY BODY (1) to BIDET. Using putty, seal underside of SPRAY BODY FLANGE (2) and secure with NUT (3).
- Thread SPRAY HOSE (4) with SEAL WASHER (5) to SPRAY BODY (1). Connect other end of HOSE (4) with SEAL WASHER (6) to side outlet NIPPLE (7) of the TRANSFER VALVE (8).
- Thread SPRAY CAP (9) onto SPRAY BODY (1).



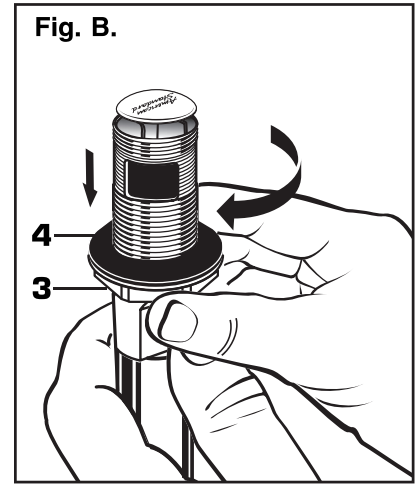
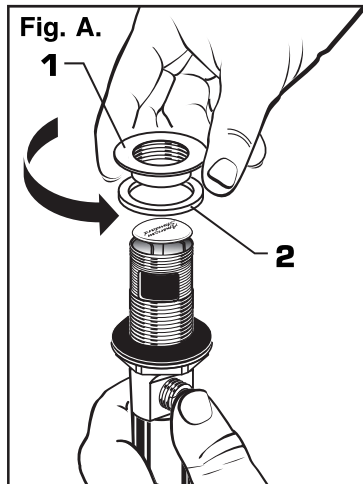
3 POP-UP DRAIN

- Remove CLEAR PLASTIC COVER (1).
- Remove CARDBOARD SPACER (2) from under DRAIN POP-UP (3).
- Tighten TAILPIECE (4) on DRAIN BODY before installing DRAIN BODY. Fig. B.



4 REMOVE FLANGE

- Thread FLANGE (1) counter-clockwise and remove FLANGE (1) and FOAM GASKET (2) from drain body. Fig. A.

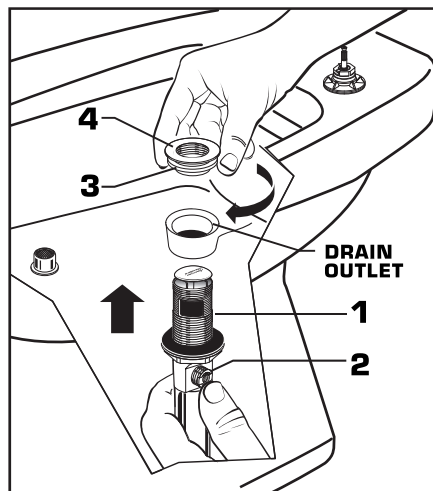


5 INSTALL DRAIN FROM BELOW FIXTURE

- From under side of BIDET install DRAIN BODY (1) up through drain outlet.

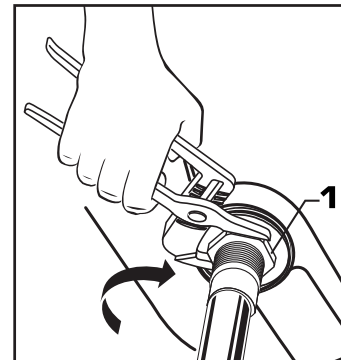
Note: No plumber's putty or caulk is required. The CABLE ATTACHMENT POINT (2) must face towards the rear of the BIDET.

- Install FOAM GASKET (3) and FLANGE (4) onto drain body from above BIDET and tighten FLANGE (4) firmly.



6 TIGHTEN LOCKNUT

- Tighten LOCKNUT (1) firmly with Adjustable Wrench or Channel Locks.

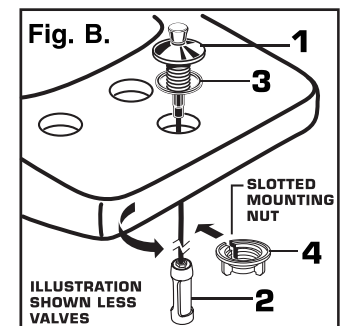
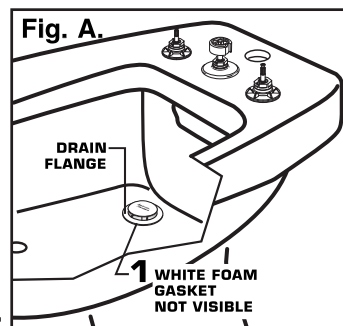


7 FLANGE GASKET

- Check DRAIN FLANGE in BIDET to ensure that WHITE FOAM GASKET (1) is fully compressed and not visible. Fig. A.

POP-UP ROD ASSEMBLY

- Insert LIFT ROD GUIDE (1) and CABLE CONNECTOR (2) through rear hole, making sure SEAL WASHER (3) is properly seated. Fig. B.
- From below slip slot in MOUNTING NUT (4) over CABLE (5). Thread NUT (4) onto lift rod guide shank to secure ROD GUIDE (1) to bidet. Hand tighten only. Fig. B.

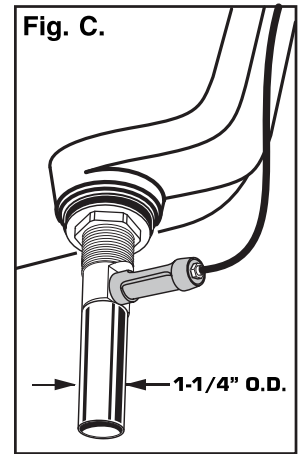
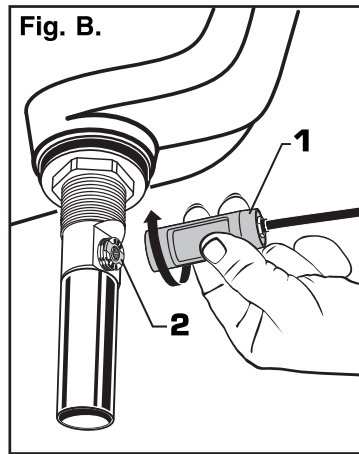
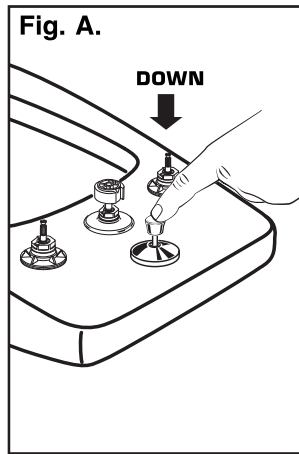


8 ATTACH CABLE CONNECTOR

- POP-UP KNOB (1) must be fully down. Fig. A.
- Thread CABLE CONNECTOR (1) clockwise onto DRAIN BODY CONNECTION (2) and hand tighten. Fig. B.

Your new POP-UP DRAIN installation is now complete. Fig. C.

Note: Tailpiece on pop-up drain is 1-1/4" O.D. Fig. C.



9 CHECK OPERATION OF POP-UP

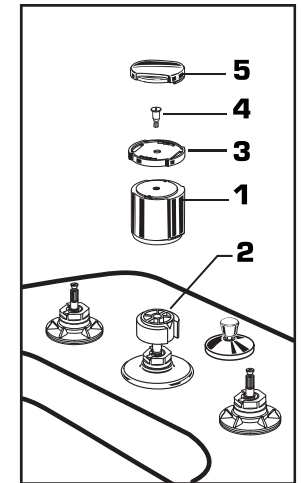
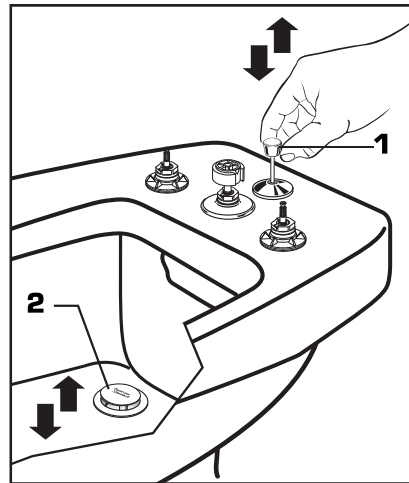
- Operate LIFT KNOB (1) to verify that STOPPER (2) opens and closes.

Note: If STOPPER (2) does not open and close properly then refer to the "troubleshooting section" of these instructions.

INSTALL DIVERTER KNOB

- Push DIVERTER KNOB (1) onto HANDLE ADAPTER (2).
- Push on RING (3) and tighten with SCREW (4).
- Press on KNOB CAP (5).

Note: Screwdriver gap is for disassembling and should point downwards.



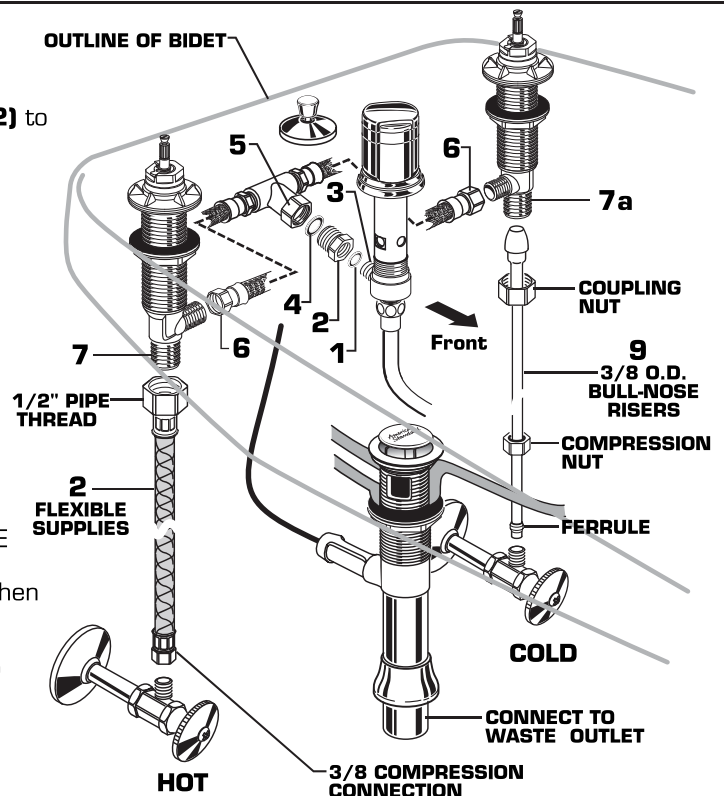
10 TEE AND HOSE CONNECTION

- Insert SEAL (1) into ADAPTER (2) and tighten ADAPTER (2) to side of TRANSFER VALVE (3).
- Install SEAL (4) into coupling nut of TEE (5) and tighten connection to ADAPTER (2).
- Connect HOSE COUPLING NUTS (6) to Hot and Cold valve bodies and securely tighten.

WATER SUPPLY CONNECTION

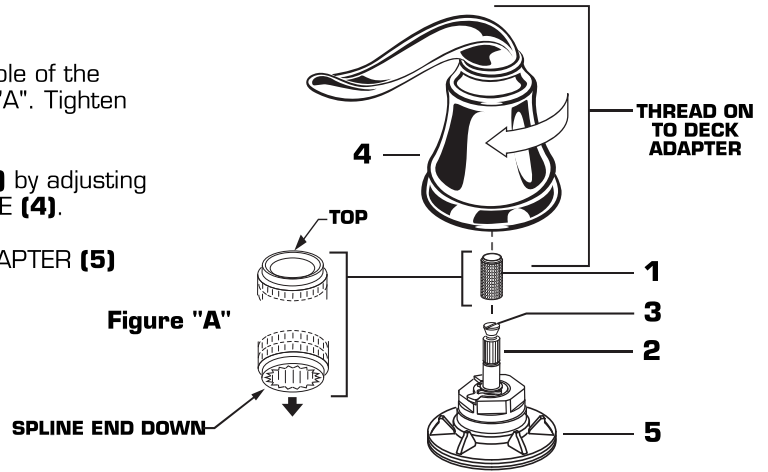
NOTE: FLEXIBLE SUPPLIES OR BULL-NOSE RISERS NOT INCLUDED AND MUST BE PURCHASED SEPARATELY.

- Connect water supply to VALVE BODIES (7, 7a) with 1/2" IPS FLEXIBLE SUPPLIES (8) or 3/8" O.D. BULL-NOSE RISERS (9). Use adjustable wrench to tighten connections. Do not over tighten. Be careful not to kink copper supply when bending. Use tubing cutter to cut to proper length.
- Connect HOT water supply to inlet of left SHANK and COLD water supply to right SHANK using sealant, appropriate connectors, and COUPLING NUTS.
- Connect 1-1/4" O.D. tailpiece on POP-UP DRAIN to waste outlet.



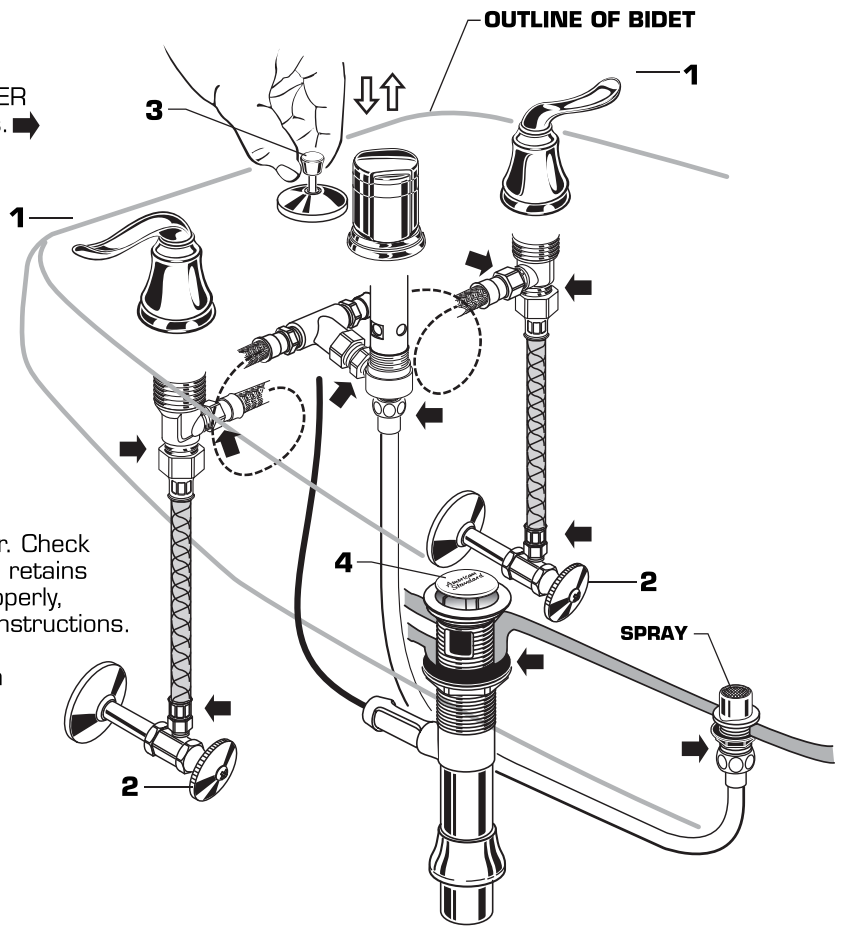
11 INSTALL HANDLES

- Push ADAPTER (1) on VALVE STEM (2), so that the hole of the ADAPTER (1) without a spline is facing up. See figure "A". Tighten STEM SCREW (3) to secure ADAPTER (1).
- Find correct position of LEVER HANDLE ASSEMBLY (4) by adjusting male teeth on ADAPTER (1) to female teeth in HANDLE (4).
- Thread LEVER HANDLE ASSEMBLY (4) onto DECK ADAPTER (5) until snug against mounting surface.



12 TEST INSTALLED FITTING

- With HANDLES (1) in OFF position, turn on WATER SUPPLIES (2) and check all connections for leaks. ➡
- Operate both HANDLES (1) to flush water lines thoroughly.
- Rotate TRANSFER VALVE (5) from rim wash to spray several times to check operation.



13 CHECK DRAIN CONNECTIONS

- Pull up POP-UP KNOB (3) and fill Bidet with water. Check that DRAIN STOPPER (4) makes a good seal and retains water in Bidet. If STOPPER (4) does not seal properly, please refer to "Troubleshooting Guide" in these instructions.
- Push POP-UP KNOB (3) down and check all drain connections and "P" trap for leaks. ➡ Tighten if necessary.

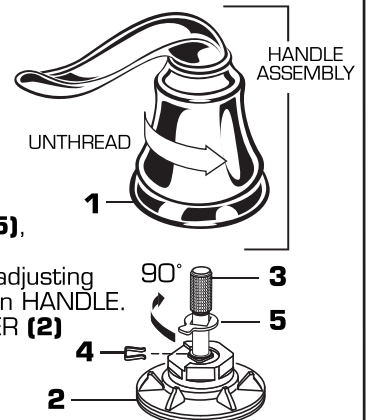
14 EverClean™ Finish Care Instructions

American Standard's EverClean finish will wipe clean with a soft, dry cloth. A soft cloth with clean water may also be used, if desired. No additional cleaning products are required.

DO NOT USE: Soaps, acid, polish, abrasives, harsh cleaners, or a cloth with a coarse surface.

15 SERVICE

- To change direction of handle rotation, proceed as follows:
 - Turn valve to OFF position. Unthread HANDLE BASE (1) from DECK ADAPTER (2).
 - Pull HANDLE ASSEMBLY off VALVE STEM (3).
 - Remove SPRING CLIP (4). Lift STOP WASHER (5), turn 90° and replace. Replace SPRING CLIP (4).
 - Find correct position of HANDLE ASSEMBLY by adjusting male teeth on VALVE STEM (3) to female teeth in HANDLE.
 - Thread HANDLE ASSEMBLY onto DECK ADAPTER (2) until snug against mounting surface.
- If spout drips, operate handles several times from OFF to ON position. Do not force - handles turn only 90°.



M968845 Rev. 1.1

SpeedConnect™ Drain Troubleshooting Guide

If sink does not hold water even though Stopper is in the “down” position:

- Follow CABLE ADJUSTMENT PROCEDURE.

If Stopper does not raise up fully or sink drains too slowly:

- Follow CABLE ADJUSTMENT PROCEDURE.

If you need to remove the Stopper:

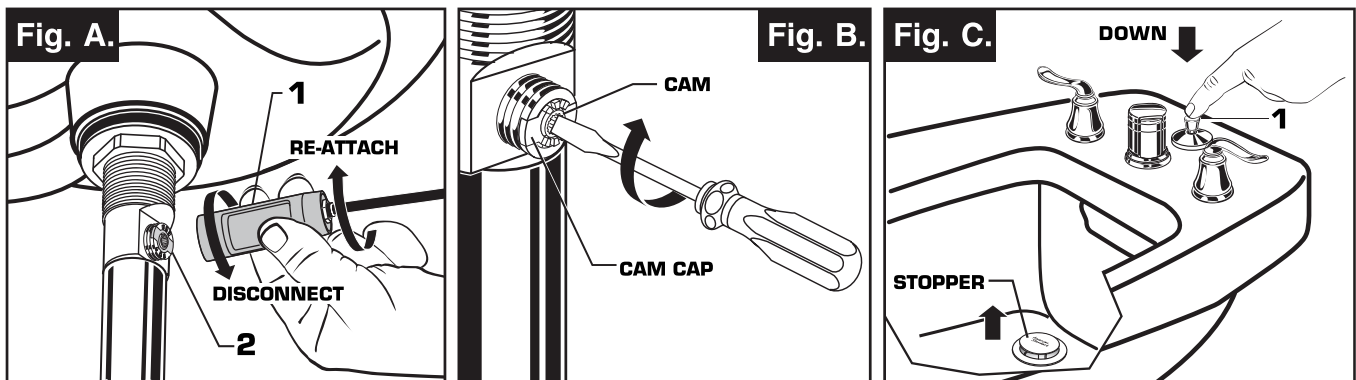
- Follow STOPPER REMOVAL PROCEDURE.

If you would like the ability to remove your Stopper simply by lifting it out of the drain:

- Follow STOPPER INSTALLATION PROCEDURE for “Unlocked” mode.

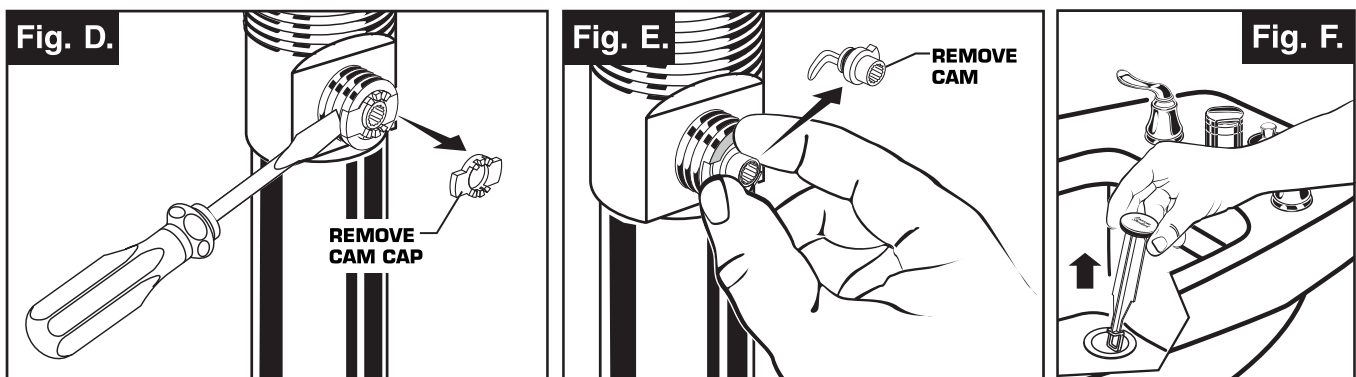
CABLE ADJUSTMENT PROCEDURE

- Disconnect the Cable from the Drain by threading the Cable Connector **(1)** counter-clockwise. **Fig. A.**
- Look at the area on the Drain Body where the Cable was attached and locate the component labeled as “Cam” in the illustration. **Fig. B.**
- Use a small screwdriver to rotate the Cam in the clockwise direction as far as it will go. At this point the Stopper should be in the UP position. **Fig. B, C.**
- Push DOWN on the Lift-Knob to make sure it is fully down. **Fig. C.**
- Re-attach the Cable to the Drain Body Connection **(2)** by threading the Cable Connector **(1)** clockwise onto the Drain Body Connection **(2)** and hand-tighten. **Fig. A.**



STOPPER REMOVAL PROCEDURE

- Disconnect the Cable from the Drain by threading the Cable Connector **(1)** counter-clockwise. **Fig. A.**
- Look at the area on the Drain Body where the Cable was attached and locate the component labeled as “Cam” and “Cam Cap” in the illustration. **Fig. B.**
- Use fingers or small screwdriver under either side of the Cam Cap to pry it out from the Drain. **Fig. D.**
- Remove the Cam by pulling it straight out while wiggling gently to loosen the Rubber Seal. **Fig. E.**
- The Stopper can now be removed by lifting it out of the Drain. **Fig. F.**

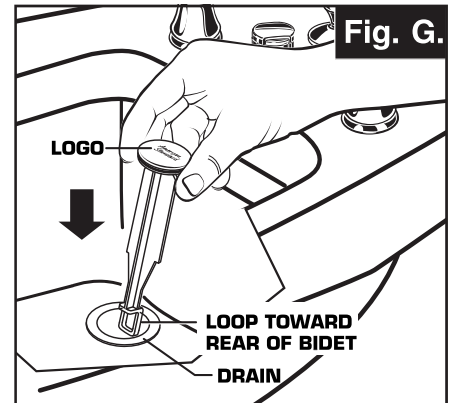


STOPPER INSTALLATION PROCEDURE

The Stopper can be installed two ways, “Locked” Mode (Stopper cannot be removed) or “Unlock” Mode (Stopper is removable).

Locked Mode:

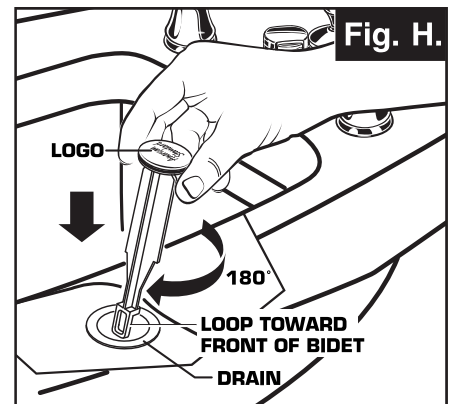
- Look at the Plastic Loop at the bottom of the Stopper and notice that the Loop is on one side of the Stopper. **Fig. G.**
- To install the stopper in “Locked” mode, insert the Stopper into the Drain so that the Plastic Loop is facing toward the **rear** of the Sink and the American Standard logo is facing **front**. Rotate Stopper slightly if necessary so that the Stopper slides all the way down. **Fig. G.**
- Re-install the Cam into the Drain, rotating the Cam if necessary to make sure it is fully inserted. **Fig. J.**
- Re-install the Cam Cap, making sure the guide teeth are facing outward. If the Cam Cap does not “snap” into place, then rotate the Cam to make sure it is fully inserted. **Fig. K.**
- Re-attach Cable. See “CABLE ADJUSTMENT PROCEDURE” in Troubleshooting Guide to complete installation. Stopper will be in “Locked” mode and not be removable.



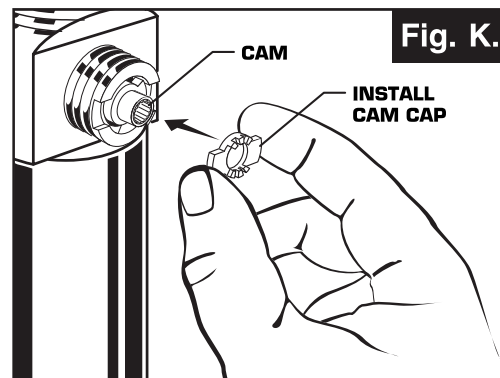
**Locked Mode
(Vandal Proof)**

Unlocked Mode:

- Look at the Plastic Loop at the bottom of the Stopper and notice that the Loop is on one side of the Stopper. **Fig. H.**
- To install the stopper in “Unlocked” mode, insert the Stopper into the Drain so that the Plastic Loop is facing toward the **front** of the Sink and the American Standard logo is facing **rear**. Rotate Stopper slightly if necessary so that the Stopper slides all the way down. **Fig. H.**
- Re-install the Cam into the Drain, rotating the Cam if necessary to make sure it is fully inserted. **Fig. J.**
- Re-install the Cam Cap, making sure the guide teeth are facing outward. If the Cam Cap does not “snap” into place, then rotate the Cam to make sure it is fully inserted. **Fig. K.**
- Re-attach Cable. See “CABLE ADJUSTMENT PROCEDURE” in Troubleshooting Guide to complete installation. Stopper will be in “Unlocked” mode and removable.



Unlocked Mode



PRINCETON

Bidet Faucet and Vacuum Breaker with EverClean™ Finish & SpeedConnect™ Drain

Congratulations on purchasing your American Standard faucet with EverClean finish and SpeedConnect drain, two features found only on American Standard faucets.

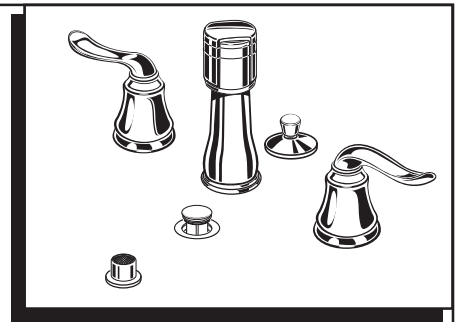
EverClean Finish

- One wipe effortlessly removes spots
- Eliminates the need for cleaners and scrubbing
- Permanent surface protectant remains beautiful for the life of the faucet
- EverClean™ available on: Polished Chrome, Satin Nickel, Stainless Steel, Polished Brass (or any combination of these finishes)

*Your new American Standard faucet is designed to work only with the SpeedConnect drain. Helpful tips for removing your current drain can be found in the Troubleshooting section of these instructions.

To ensure that your installation proceeds smoothly-please read these instructions carefully before you begin.

Installation Instructions 4508.401

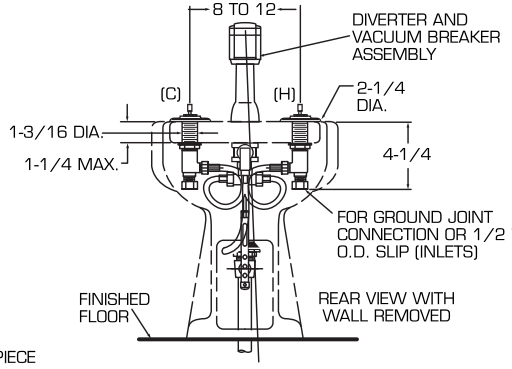
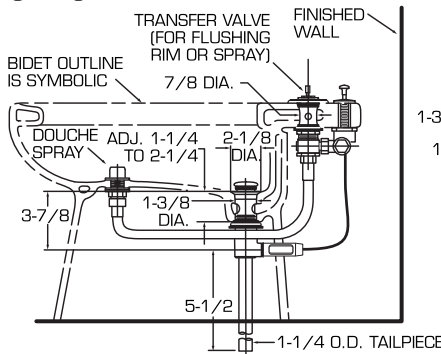


Certified to comply with ANSI A112.18.1 M968846 Rev. 1.1

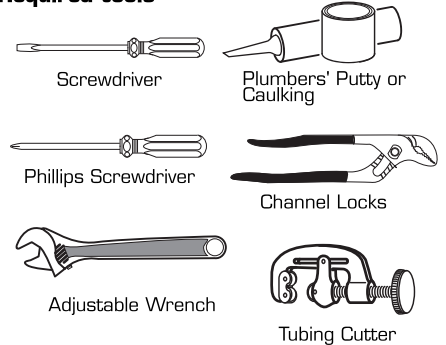
SpeedConnect Drain*

- Fewer parts, installs in less time
- Never needs adjustment
- Guaranteed to seal properly the first time, every time.

Roughing-in Dimensions



Required tools

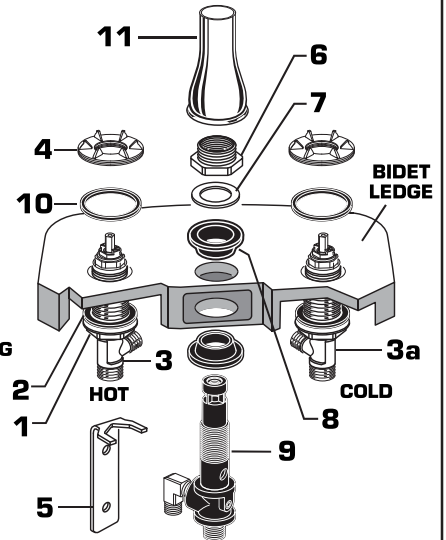
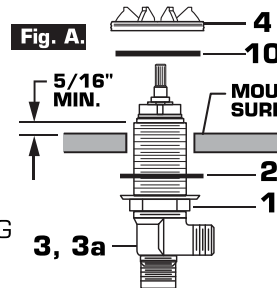


1 BIDET FAUCET INSTALLATION

CAUTION

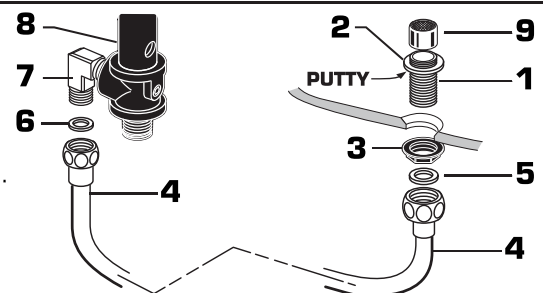
Turn off hot and cold water supplies before beginning.

- Place RUBBER RING (10) into ADAPTER (4).
- Install LOCKNUT (1) and RUBBER WASHER (2) onto VALVE BODIES (3, 3a). From under side of mounting surface, install VALVE BODY (3, 3a) through valve mounting holes. Threads of VALVE BODY (3, 3a) should extend at least 5/16 of an inch above mounting surface top. Fig. A. Thread ADAPTER (4) onto VALVE BODIES (3, 3a) until snug against internal stop. If necessary, adjust LOCKNUT (1).
- Tighten LOCKNUTS (1) with WRENCH (5) (supplied) to secure VALVE BODIES (3, 3a).
- Remove MOUNTING NUT (6), WASHER (7) and UPPER GASKET (8) from TRANSFER VALVE (9). Insert TRANSFER VALVE (9) into the center forward hole of BIDET.
- Replace UPPER GASKET (8) and WASHER (7). Position the side threaded outlet rearward and secure MOUNTING NUT (6). Thread ESCUTCHEON (11) onto TRANSFER VALVE (9) until it seats against the BIDET LEDGE.



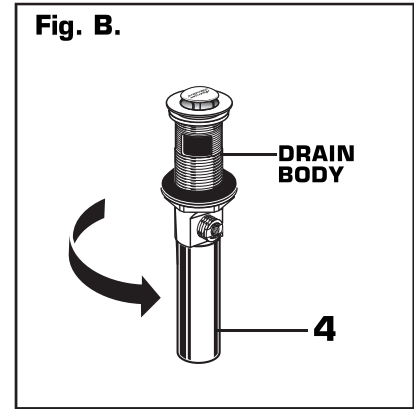
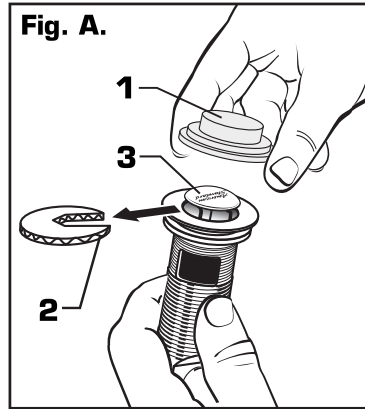
2 SPRAY INSTALLATION

- Assemble SPRAY BODY (1) to BIDET. Using putty, seal underside of SPRAY BODY FLANGE (2) and secure with NUT (3).
- Thread SPRAY HOSE (4) with SEAL WASHER (5) to SPRAY BODY (1). Connect other end of HOSE (4) with SEAL WASHER (6) to side outlet NIPPLE (7) of the TRANSFER VALVE (8).
- Thread SPRAY CAP (9) onto SPRAY BODY (1).



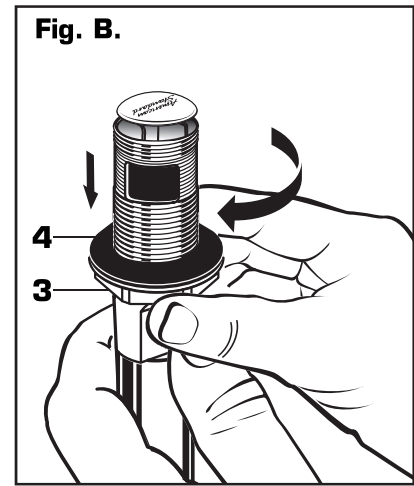
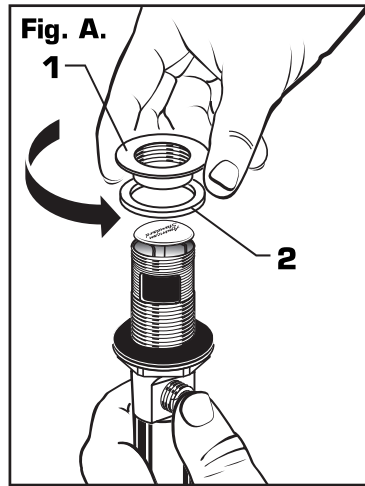
3 POP-UP DRAIN

- Remove CLEAR PLASTIC COVER (1).
- Remove CARDBOARD SPACER (2) from under DRAIN POP-UP (3).
- Tighten TAILPIECE (4) on DRAIN BODY before installing DRAIN BODY. **Fig. B.**



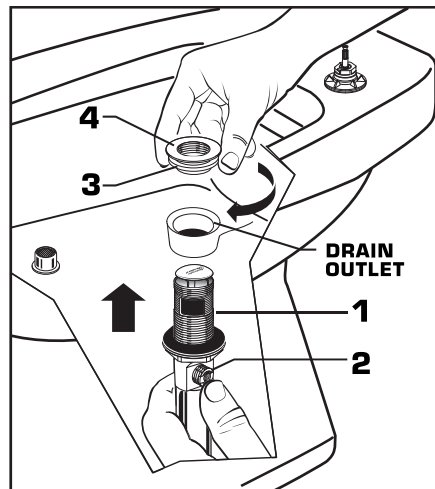
4 REMOVE FLANGE

- Thread FLANGE (1) counter-clockwise and remove FLANGE (1) and FOAM GASKET (2) from drain body. **Fig. A.**
- Thread LOCKNUT (3) clock-wise to bottom of drain body. Push GASKET (4) down against LOCKNUT (3). **Fig. B.**



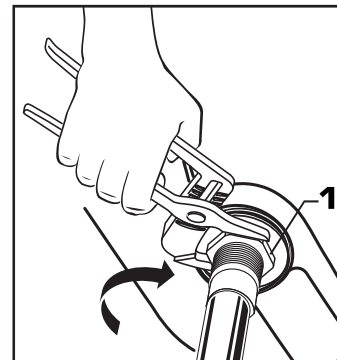
5 INSTALL DRAIN FROM BELOW FIXTURE

- From under side of BIDET install DRAIN BODY (1) up through drain outlet.
- Note:** No plumber's putty or caulk is required. The CABLE ATTACHMENT POINT (2) must face towards the rear of the BIDET.
- Install FOAM GASKET (3) and FLANGE (4) onto drain body from above BIDET and tighten FLANGE (4) firmly.



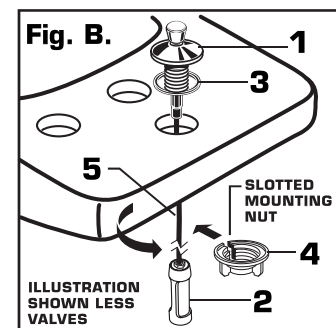
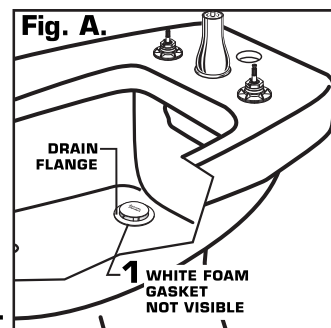
6 TIGHTEN LOCKNUT

- Tighten LOCKNUT (1) firmly with Adjustable Wrench or Channel Locks.



7 FLANGE GASKET

- Check DRAIN FLANGE in BIDET to ensure that WHITE FOAM GASKET (1) is fully compressed and not visible. **Fig. A.**
- POP-UP ROD ASSEMBLY**
- Insert LIFT ROD GUIDE (1) and CABLE CONNECTOR (2) through rear hole, making sure SEAL WASHER (3) is properly seated. **Fig. B.**
 - From below slip slot in MOUNTING NUT (4) over CABLE (5). Thread NUT (4) onto lift rod guide shank to secure ROD GUIDE (1) to bidet. Hand tighten only. **Fig. B.**

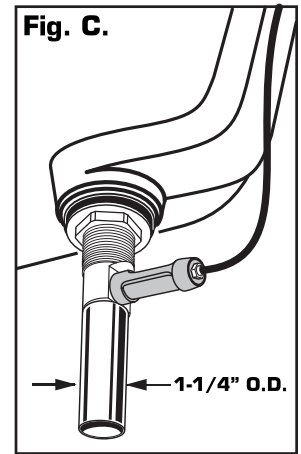
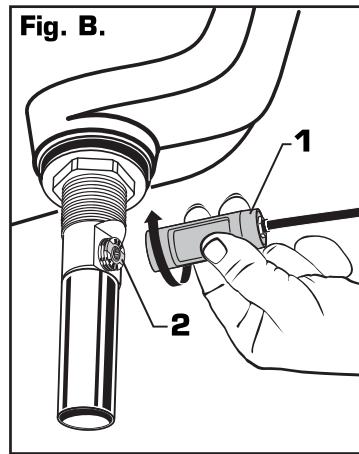
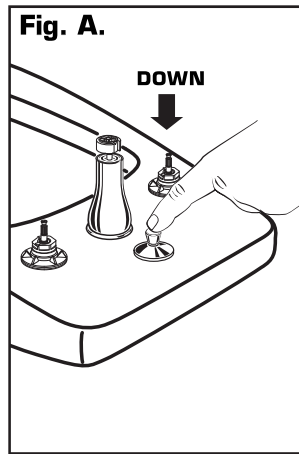


8 ATTACH CABLE CONNECTOR

- POP-UP KNOB (1) must be fully down. **Fig. A.**
- Thread CABLE CONNECTOR (1) clockwise onto DRAIN BODY CONNECTION (2) and hand tighten. **Fig. B.**

Your new POP-UP DRAIN installation is now complete. **Fig. C.**

Note: Tailpiece on pop-up drain is 1-1/4" O.D. **Fig. C.**



9 CHECK OPERATION OF POP-UP

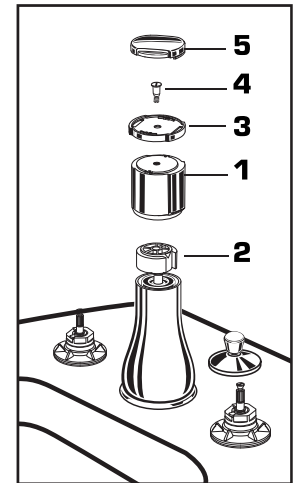
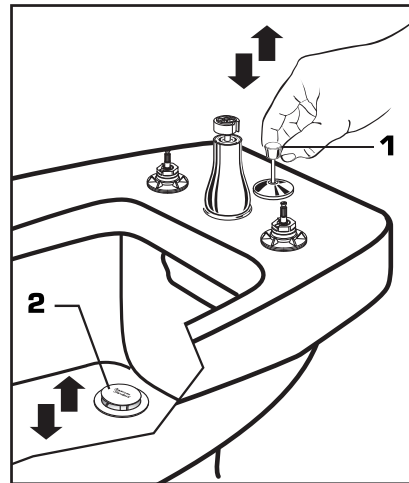
- Operate LIFT KNOB (1) to verify that STOPPER (2) opens and closes.

Note: If STOPPER (2) does not open and close properly then refer to the "troubleshooting section" of these instructions.

INSTALL DIVERTER KNOB

- Push DIVERTER KNOB (1) onto HANDLE ADAPTER (2).
- Push on RING (3) and tighten with SCREW (4).
- Press on KNOB CAP (5).

Note: Screwdriver gap is for disassembling and should point downwards.



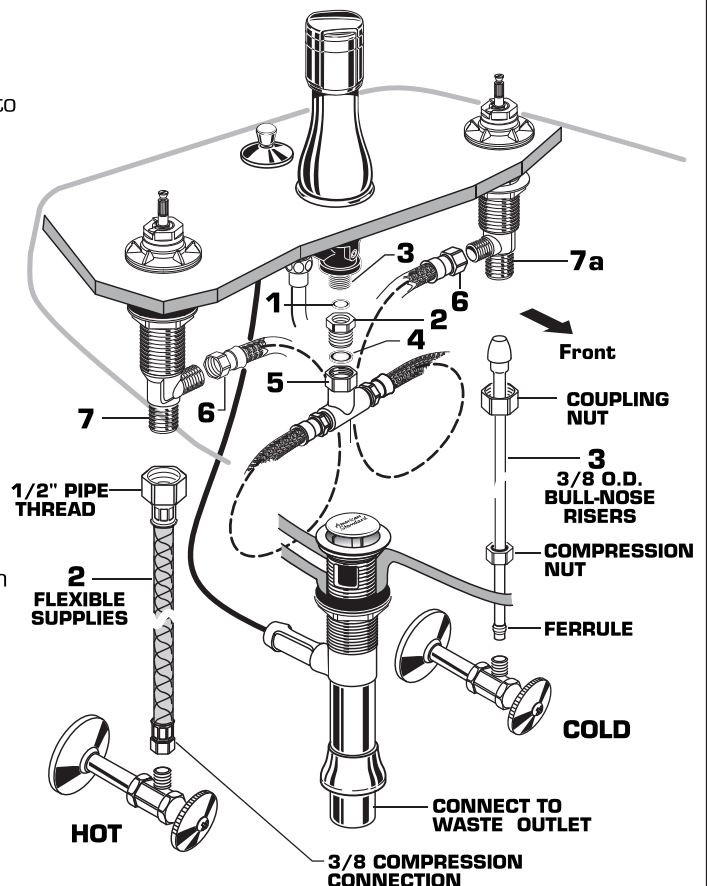
10 TEE AND HOSE CONNECTION

- Insert SEAL (1) into ADAPTER (2) and tighten ADAPTER (2) to bottom of TRANSFER VALVE (3).
- Install SEAL (4) into coupling nut of TEE (5) and tighten connection to ADAPTER (2).
- Connect HOSE COUPLING NUTS (6) to Hot and Cold valve bodies and securely tighten.

WATER SUPPLY CONNECTION

NOTE: FLEXIBLE SUPPLIES OR BULL-NOSE RISERS NOT INCLUDED AND MUST BE PURCHASED SEPARATELY.

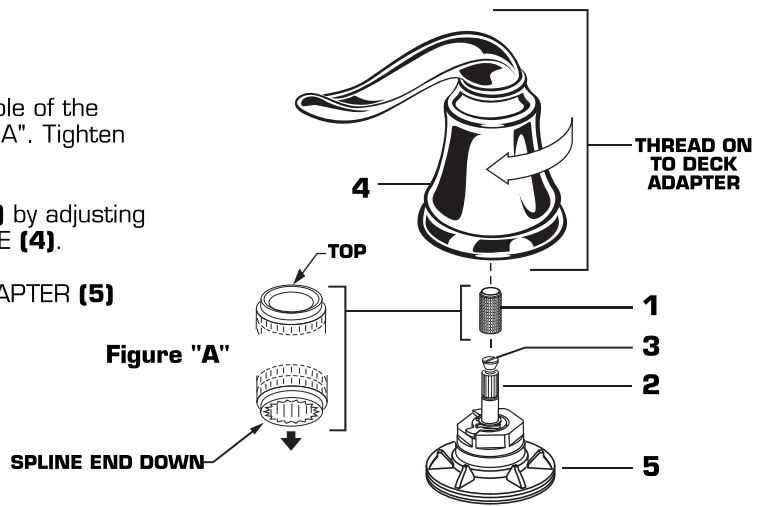
- Connect water supply to VALVE BODIES (7, 7a) with 1/2" IPS FLEXIBLE SUPPLIES (2) or 3/8" O.D. BULL-NOSE RISERS (3). Use adjustable wrench to tighten connections. Do not over tighten. Be careful not to kink copper supply when bending. Use tubing cutter to cut to proper length.
- Connect HOT water supply to inlet of left SHANK and COLD water supply to right SHANK using sealant, appropriate connectors, and COUPLING NUTS.
- Connect 1-1/4" O.D. tailpiece on POP-UP DRAIN to waste outlet.



M968846 Rev. 1.1

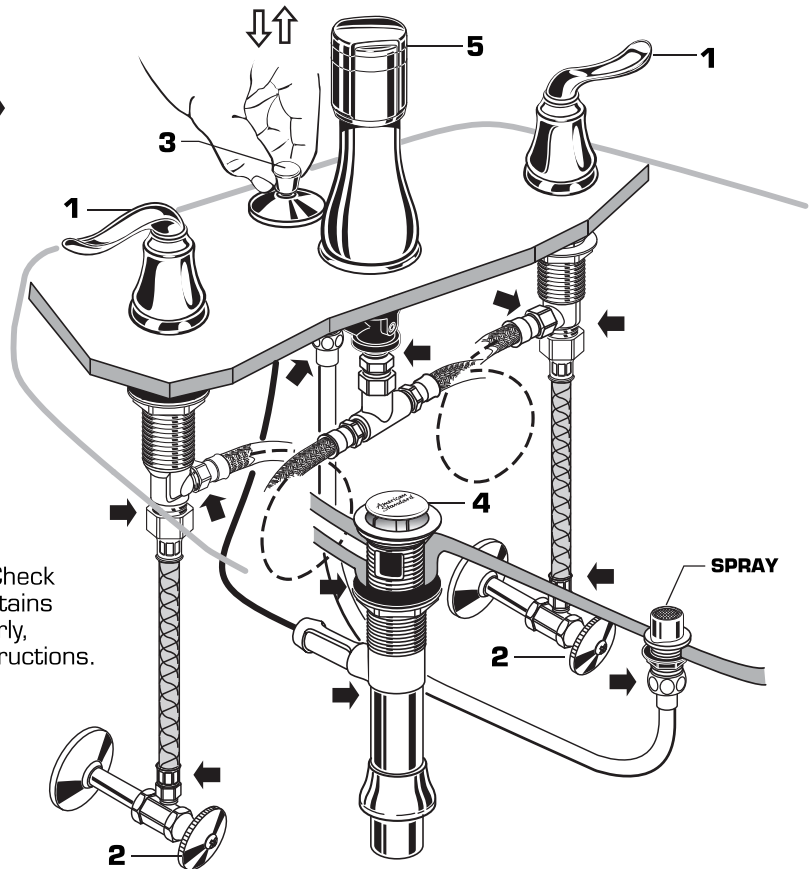
11 INSTALL HANDLES

- Push ADAPTER (1) on VALVE STEM (2), so that the hole of the ADAPTER (1) without a spline is facing up. See figure "A". Tighten STEM SCREW (3) to secure ADAPTER (1).
- Find correct position of LEVER HANDLE ASSEMBLY (4) by adjusting male teeth on ADAPTER (1) to female teeth in HANDLE (4).
- Thread LEVER HANDLE ASSEMBLY (4) onto DECK ADAPTER (5) until snug against mounting surface.



12 TEST INSTALLED FITTING

- With HANDLES (1) in OFF position, turn on WATER SUPPLIES (2) and check all connections for leaks. ➡
- Operate both HANDLES (1) to flush water lines thoroughly.
- Rotate TRANSFER VALVE (5) from rim wash to spray several times to check operation.



13 CHECK DRAIN CONNECTIONS

- Pull up POP-UP KNOB (3) and fill Bidet with water. Check that DRAIN STOPPER (4) makes a good seal and retains water in Bidet. If STOPPER (4) does not seal properly, please refer to "Troubleshooting Guide" in these instructions.
- Push POP-UP KNOB (3) down and check all drain connections and "P" trap for leaks. ➡ Tighten if necessary.

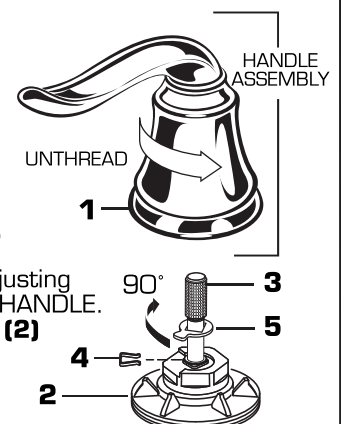
14 EverClean™ Finish Care Instructions

American Standard's EverClean finish will wipe clean with a soft, dry cloth. A soft cloth with clean water may also be used, if desired. No additional cleaning products are required.

DO NOT USE: Soaps, acid, polish, abrasives, harsh cleaners, or a cloth with a coarse surface.

15 SERVICE

- To change direction of handle rotation, proceed as follows:
 - Turn valve to OFF position. Unthread HANDLE BASE (1) from DECK ADAPTER (2).
 - Pull HANDLE ASSEMBLY off VALVE STEM (3).
 - Remove SPRING CLIP (4). Lift STOP WASHER (5), turn 90° and replace. Replace SPRING CLIP (4).
 - Find correct position of HANDLE ASSEMBLY by adjusting male teeth on VALVE STEM (3) to female teeth in HANDLE.
 - Thread HANDLE ASSEMBLY onto DECK ADAPTER (2) until snug against mounting surface.
- If spout drips, operate handles several times from OFF to ON position. Do not force - handles turn only 90°.



M968846 Rev. 1.1

SpeedConnect™ Drain Troubleshooting Guide

If sink does not hold water even though Stopper is in the “down” position:

- Follow CABLE ADJUSTMENT PROCEDURE.

If Stopper does not raise up fully or sink drains too slowly:

- Follow CABLE ADJUSTMENT PROCEDURE.

If you need to remove the Stopper:

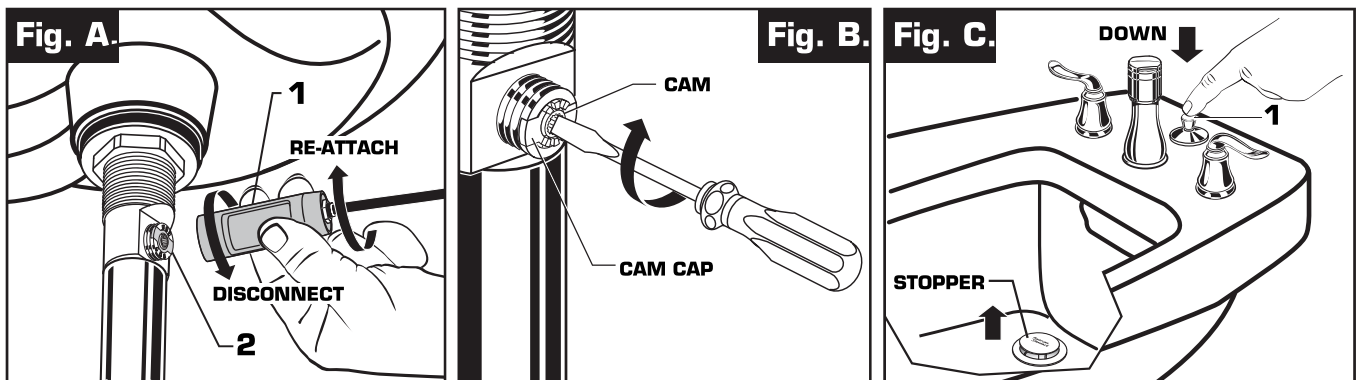
- Follow STOPPER REMOVAL PROCEDURE.

If you would like the ability to remove your Stopper simply by lifting it out of the drain:

- Follow STOPPER INSTALLATION PROCEDURE for “Unlocked” mode.

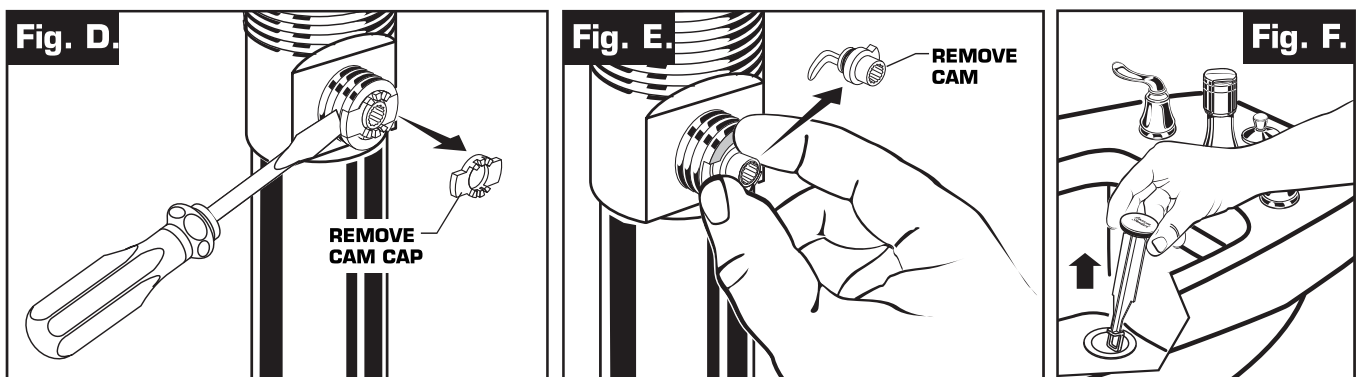
CABLE ADJUSTMENT PROCEDURE

- Disconnect the Cable from the Drain by threading the Cable Connector **(1)** counter-clockwise. **Fig. A.**
- Look at the area on the Drain Body where the Cable was attached and locate the component labeled as “Cam” in the illustration. **Fig. B.**
- Use a small screwdriver to rotate the Cam in the clockwise direction as far as it will go. At this point the Stopper should be in the UP position. **Fig. B, C.**
- Push DOWN on the Lift-Knob to make sure it is fully down. **Fig. C.**
- Re-attach the Cable to the Drain Body Connection **(2)** by threading the Cable Connector **(1)** clockwise onto the Drain Body Connection **(2)** and hand-tighten. **Fig. A.**



STOPPER REMOVAL PROCEDURE

- Disconnect the Cable from the Drain by threading the Cable Connector **(1)** counter-clockwise. **Fig. A.**
- Look at the area on the Drain Body where the Cable was attached and locate the component labeled as “Cam” and “Cam Cap” in the illustration. **Fig. B.**
- Use fingers or small screwdriver under either side of the Cam Cap to pry it out from the Drain. **Fig. D.**
- Remove the Cam by pulling it straight out while wiggling gently to loosen the Rubber Seal. **Fig. E.**
- The Stopper can now be removed by lifting it out of the Drain. **Fig. F.**

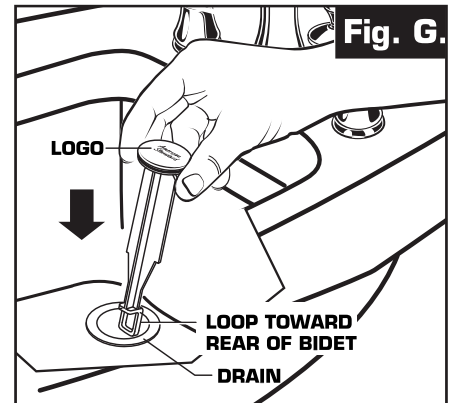


STOPPER INSTALLATION PROCEDURE

The Stopper can be installed two ways, “Locked” Mode (Stopper cannot be removed) or “Unlock” Mode (Stopper is removable).

Locked Mode:

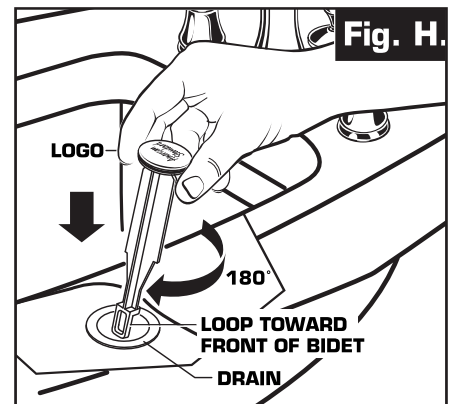
- Look at the Plastic Loop at the bottom of the Stopper and notice that the Loop is on one side of the Stopper. **Fig. G.**
- To install the stopper in “Locked” mode, insert the Stopper into the Drain so that the Plastic Loop is facing toward the **rear** of the Sink and the American Standard logo is facing **front**. Rotate Stopper slightly if necessary so that the Stopper slides all the way down. **Fig. G.**
- Re-install the Cam into the Drain, rotating the Cam if necessary to make sure it is fully inserted. **Fig. J.**
- Re-install the Cam Cap, making sure the guide teeth are facing outward. If the Cam Cap does not “snap” into place, then rotate the Cam to make sure it is fully inserted. **Fig. K.**
- Re-attach Cable. See “CABLE ADJUSTMENT PROCEDURE” in Troubleshooting Guide to complete installation. Stopper will be in “Locked” mode and not be removable.



**Locked Mode
(Vandal Proof)**

Unlocked Mode:

- Look at the Plastic Loop at the bottom of the Stopper and notice that the Loop is on one side of the Stopper. **Fig. H.**
- To install the stopper in “Unlocked” mode, insert the Stopper into the Drain so that the Plastic Loop is facing toward the **front** of the Sink and the American Standard logo is facing **rear**. Rotate Stopper slightly if necessary so that the Stopper slides all the way down. **Fig. H.**
- Re-install the Cam into the Drain, rotating the Cam if necessary to make sure it is fully inserted. **Fig. J.**
- Re-install the Cam Cap, making sure the guide teeth are facing outward. If the Cam Cap does not “snap” into place, then rotate the Cam to make sure it is fully inserted. **Fig. K.**
- Re-attach Cable. See “CABLE ADJUSTMENT PROCEDURE” in Troubleshooting Guide to complete installation. Stopper will be in “Unlocked” mode and removable.



Unlocked Mode

