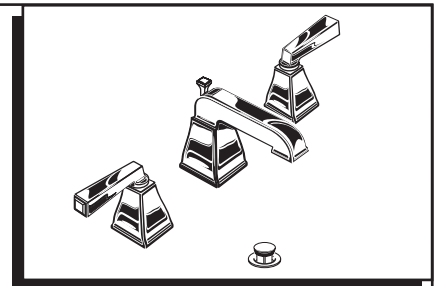


# American Standard

## Installation Instructions 2555.801



Certified to comply with ANSI A112.18.1M

M968787 REV. 1.1

### TOWNSQUARE

#### SPREAD LAVATORY FAUCETS with EverClean™ Finish

Congratulations on purchasing your American Standard faucet with EverClean finish found only on American Standard faucets.

#### EverClean Finish

- One wipe effortlessly removes spots
- Eliminates the need for cleaners and scrubbing
- Permanent surface protectant remains beautiful for the life of the faucet
- EverClean™ available on: Polished Chrome, Satin Nickel, Stainless Steel, Polished Brass (or any combination of these finishes)

To ensure that your installation proceeds smoothly-please read these instructions carefully before you begin.

#### TOOLS REQUIRED



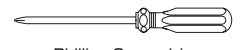
Channel Locks



Adjustable Wrench



Plumbers' Putty or Caulking

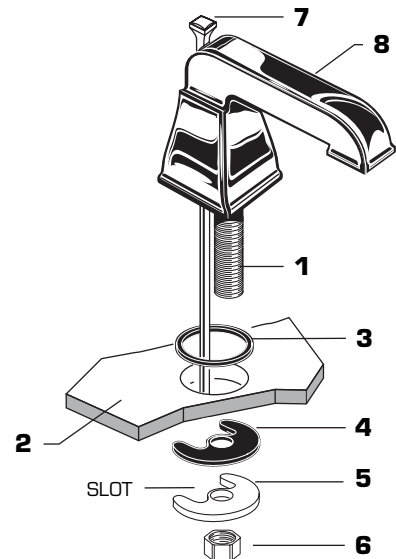


Phillips Screwdriver

## 1 SPOUT ASSEMBLY

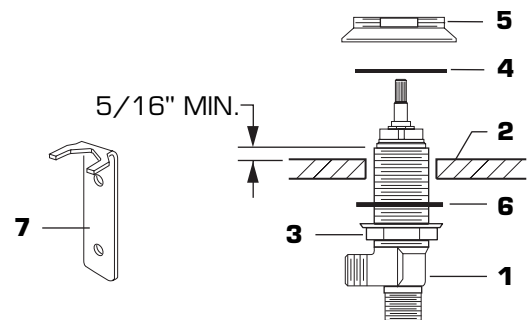
**CAUTION** Turn off hot and cold water supplies before beginning.

- Insert SPOUT SHANK (1) through center hole of SINK (2). Make sure RING WASHER (3) is properly positioned into SPOUT BASE.
- Assemble RUBBER WASHER (4), BRASS WASHER (5) and LOCKNUT (6) onto threads of SPOUT SHANK (1) from underside of SINK (2).
- Insert LIFT ROD (7) through SPOUT (8) and slot of BRASS WASHER (5).
- Align SPOUT (8) and tighten LOCKNUT (6). Be sure slot in BRASS WASHER (5) is positioned to the rear as shown.



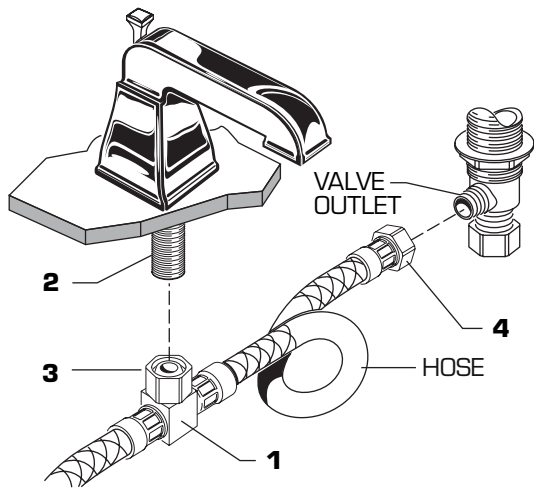
## 2 VALVE INSTALLATION

- Insert VALVE BODY (1) through hole from underside of SINK (2). Threads of VALVE BODY (1) should extend at least 5/16 inch above SINK (2) top. If necessary, adjust LOCKNUT (3). Make sure RUBBER WASHER (6) is installed.
- Place RUBBER RING (4) into DECK ADAPTER (5) and screw DECK ADAPTER (5) onto VALVE BODY (1) until snug against internal stop.
- Set VALVE BODIES (1, 1A) so that their outlets are facing toward center of sink and then tighten LOCKNUT (3) using WRENCH (7) supplied with faucet.



### 3 TEE AND HOSE INSTALLATION

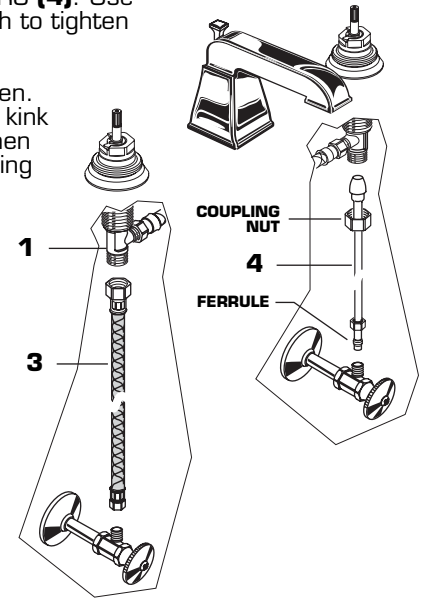
- Connect TEE (1) to SPOUT SHANK (2). Tighten COUPLING NUT (3).
- Connect COUPLING NUTS (4) of HOSE to each valve outlet and tighten securely.



### 4 MAKE WATER SUPPLY CONNECTIONS

NOTE: FLEXIBLE SUPPLIES OR BULL-NOSE RISERS MUST BE PURCHASED SEPARATELY.

- Connect water supply to FAUCET (1) with 1/2" IPS FLEXIBLE SUPPLIES (3) or 3/8" O.D. BULL-NOSE RISERS (4). Use adjustable wrench to tighten connections.
- Do not over tighten. Be careful not to kink copper supply when bending. Use tubing cutter to cut to proper length.



### 5 INSTALL HANDLES

- Turn VALVE to OFF position.
- **Figure A:** Install STEM ADAPTERS (7) onto VALVE STEMS (8).
- **Figure B:** With colored side up, place FRICTION RING (6) over DECK ADAPTER (10). Loosely screw FRICTION NUT (5) onto DECK ADAPTER (10). Do not tighten. Align flats on FRICTION NUT (5) with RIBS (9) in HANDLE BASE (4).
- **Figure C:** Screw HANDLE BASE (4) with FRICTION NUT (5) onto DECK ADAPTER (10) until snug against mounting surface and aligned properly.
- **Figure D:** Install LEVER HANDLE (3) onto HANDLE ADAPTER (7) and align. Check alignment, if not satisfactory remove and align. Insert HANDLE SCREW (2) and tighten. Press in INDEX BUTTON (1).

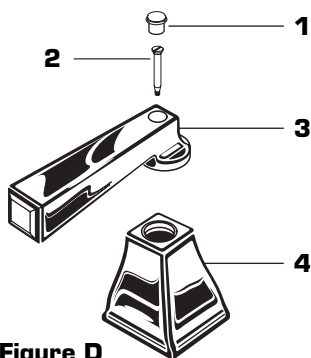


Figure D

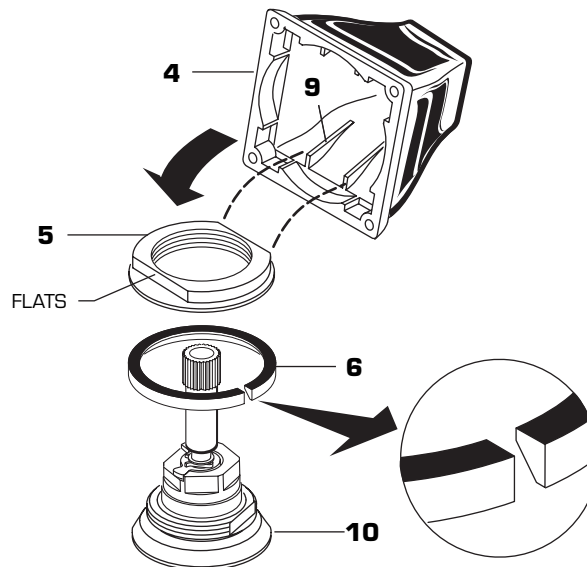


Figure B

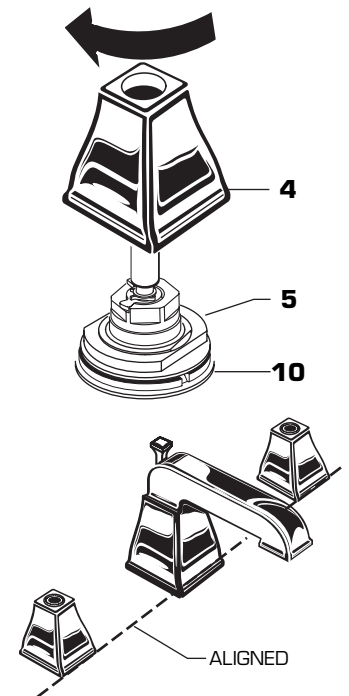


Figure C

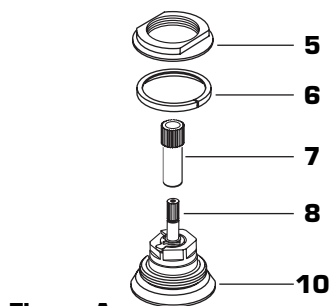
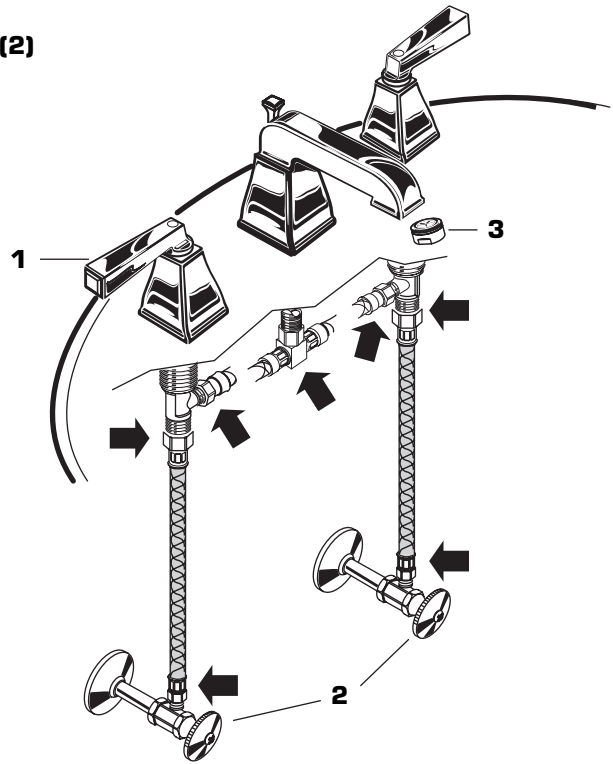


Figure A

# 6

## TEST INSTALLED FITTING

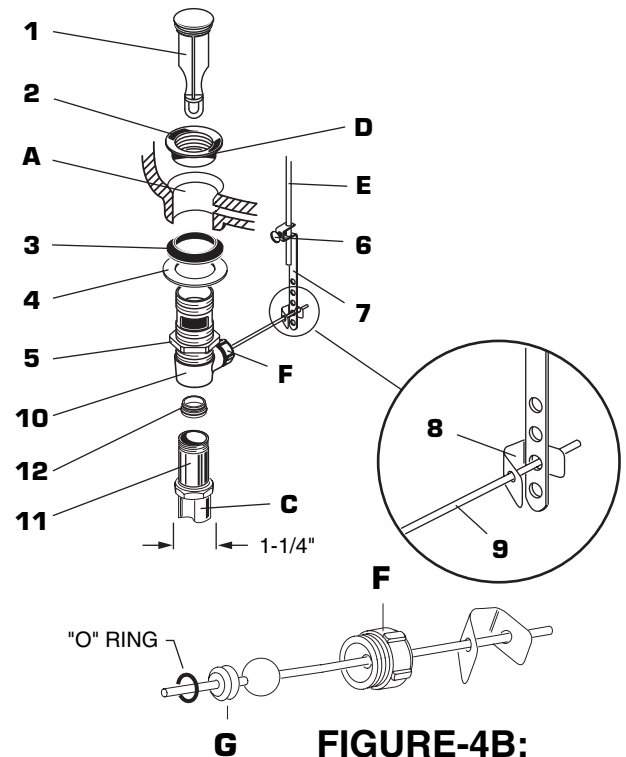
- With HANDLES **(1)** in OFF position, turn on WATER SUPPLIES **(2)** and check all connections for leaks. ➔
- Remove AERATOR **(3)**.
- Operate both HANDLES to flush water lines thoroughly.
- Replace AERATOR **(3)**.



# 7

## INSTALL POP-UP DRAIN

- Push Tail piece **(11)** down into Trap **(C)** (threaded end up).
- Thread Locknut **(5)**, Washer **(4)** and Gasket **(3)** (Bevel side up) onto Drain Body **(10)**.
- Apply a bead of Putty **(D)** to underside of Flange **(2)**.
- Feed Drain Body **(10)** up through Sink **(A)** and thread the Flange **(2)** fully onto Drain Body **(10)**.
- Tighten Locknut **(5)** firmly, keeping the pivot rod hole pointed towards the back of the sink.
- Assemble Pivot Rod **(9)** as shown in Figure-4B. Notice the position of the Concave Washer **(G)**.
- Insert Pivot Rod **(9)** into Drain Body **(10)** and tighten Pivot Nut **(F)**.
- Push TAILPIECE INSERT **(12)** into TAILPIECE **(11)** and push TAILPIECE up and thread tightly into DRAIN BODY **(10)**.
- Position Extension Rod **(7)** onto Pop-Up Rod **(E)** and tighten Thumbscrew **(6)**.
- Remove one end of Clip **(8)** from Pivot Rod **(9)** by squeezing ends together while sliding.
- Insert Pivot Rod **(9)** into second or third hole in Extension Rod **(7)** and reassemble Clip **(8)**.
- Drop Stopper **(1)** into Drain Body **(10)**.
- Adjust stopper height by repositioning Extension Rod **(7)** and tightening Thumbscrew **(6)**.

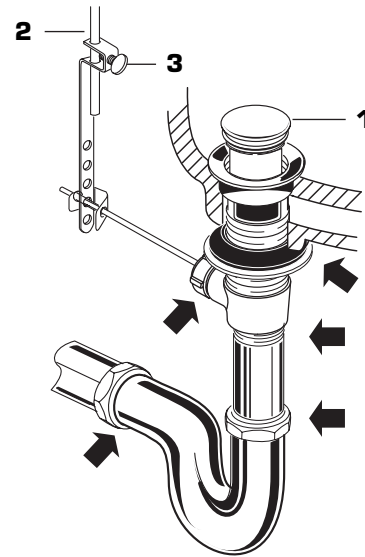


**FIGURE-4B:**

## 8

### CHECK DRAIN CONNECTIONS

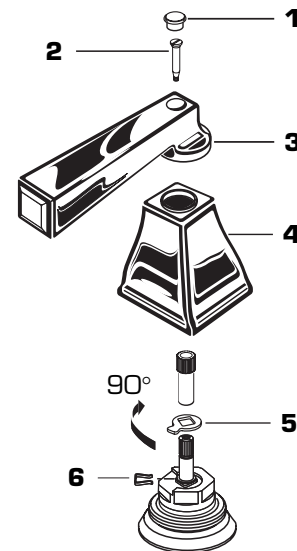
- Operate Lift Rod and fill lavatory with water. Check that DRAIN STOPPER (1) makes a good seal and retains water in lavatory. Adjust stopper height by repositioning Lift Rod (2) and tightening Thumbscrew (3).
- Release DRAIN STOPPER (1) and check all drain connections and "P" trap for leaks. Tighten if necessary.



## 9

### SERVICE

- To change direction of handle rotation, proceed as follows:
  - Turn valve to OFF position.
  - Pull out INDEX CAP (1) and remove HANDLE SCREW (2).
  - Pull off HANDLE (3) and unscrew ESCUTCHEON BASE (4).
  - Remove SPRING CLIP (6).
  - Lift STOP WASHER (5), turn 90° and replace.
  - Replace SPRING CLIP (6).
  - Reinstall ESCUTCHEON (4) and HANDLE ASSEMBLY.
- If spout drips, operate handles several times from OFF to ON position. Do not force - handles turn only 90°.



## 10

### EverClean™ Finish Care Instructions

**American Standard's EverClean finish will wipe clean with a soft, dry cloth. A soft cloth with clean water may also be used, if desired. No additional cleaning products are required.**

**DO NOT USE: Soaps, acid, polish, abrasives, harsh cleaners, or a cloth with a coarse surface.**