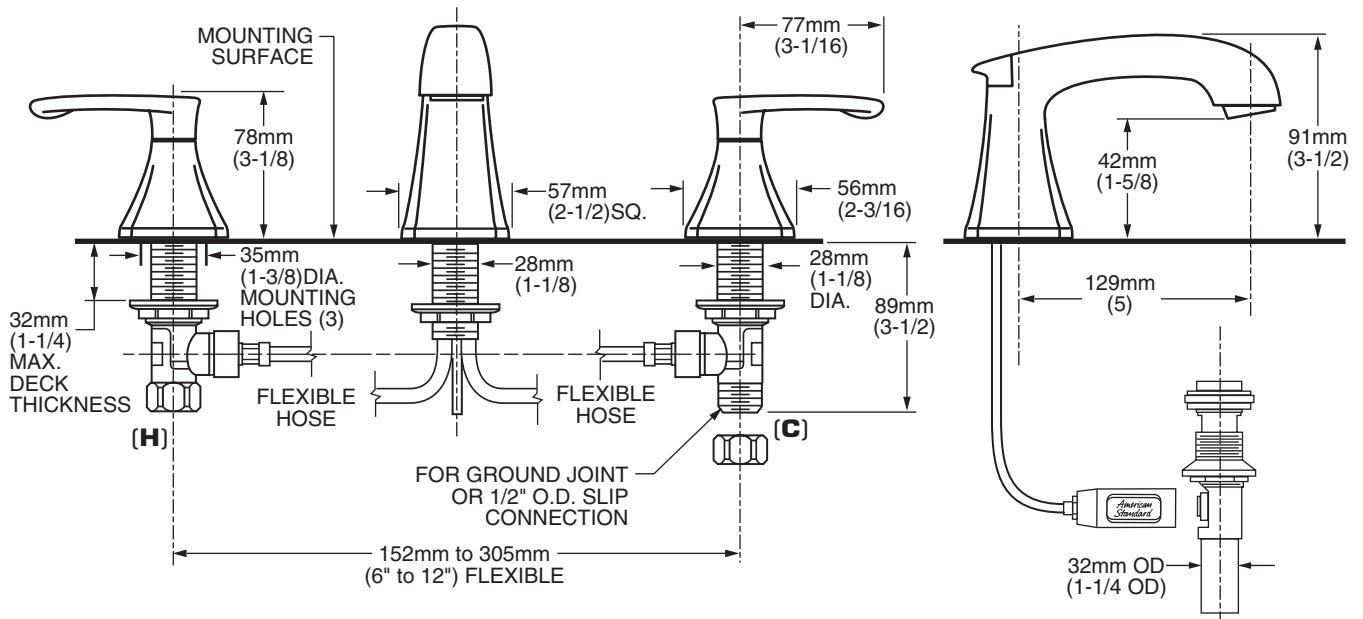


**MODEL NUMBER:**

- **7005.801 Widespread Lavatory**  
Metal Speed Connect™ Pop-up drain.  
Metal Lever handles.



**GENERAL DESCRIPTION:**

Cast brass valve bodies with flexible hose connections for 6" to 12" (152mm to 305mm) installations. 1/4 turn washerless ceramic disc valve cartridges. Metal spout with metal color-matched underbody. One-half inch male inlet shanks with brass coupling nuts. 20" (500mm) long flexible stainless steel drain cable is pre-assembled to faucet body. Metal Speed Connect™ drain body with 1-1/4 inch (32mm) tail piece. 2.2 gpm/8.3L/min. maximum flow rate.

**PRODUCT FEATURES:**

- Ceramic Disc Valve Cartridges:** Assures a lifetime of drip-free performance.
- Cast Brass Valve Bodies:** Durable. Ideal for prolonged contact with water.
- Low Lead:** Meets NSF Standard 61/Section 9 & Prop 65 lead requirements.
- Exclusive Speed Connect Metal Drain:**
  - Fewer Parts - installs in less time.
  - No adjustments required - seals the first time, every time.
  - Flexible stainless steel cable - installs effortlessly in tight spaces.
- Choice of Finishes:** Available in Polished Chrome, Satin Nickel (PVD) or Blackened Bronze (PVD).

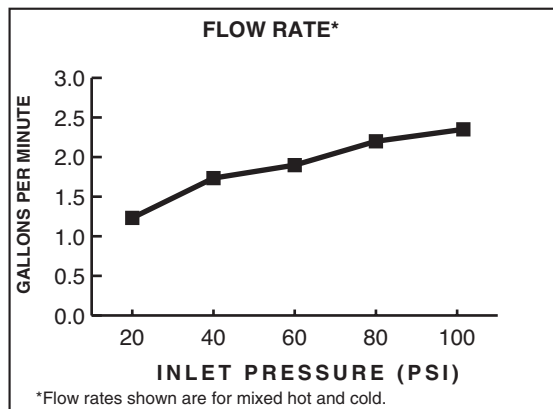
**SUGGESTED SPECIFICATION:**

Two handle widespread lavatory faucet shall feature cast brass valve bodies with flexible hose connections for 6" to 12" installations. Shall also feature 1/4 turn washerless ceramic disc valve cartridges. Shall also feature a metal drain body with stainless steel cable actuation. Fitting shall be American Standard Model #7005.801.\_\_\_\_\_.


**CODES AND STANDARDS**

These products meet or exceed the following codes and standards:

- ANSI A117.1**
- ASME A112.18.1**
- CSA B 125**
- NSF 61/Section 9**



Product Number	Description	Finish Options		
		Polished Chrome	PVD Blackened Bronze	PVD Satin Nickel
		002	068	295
7005.801	Lavatory faucet with Metal Speed Connect™ Pop-up drain. Metal Lever handles.			

 Meets the American Disabilities Act Guidelines and **ANSI A117.1** Requirements for the physically challenged.