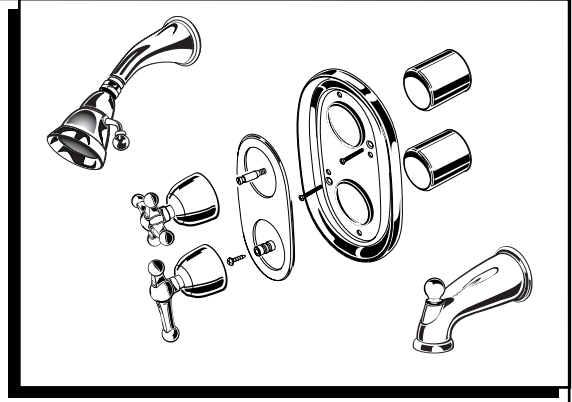


## ENFIELD BATH/SHOWER TRIM KITS

## Installation Instructions

**T373.742**  
**T373.741**  
**T373.740**



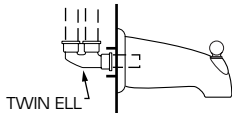
*Thank you for selecting American-Standard...the benchmark of fine quality for over 100 years.*

*To ensure that your installation proceeds smoothly—please read these instructions carefully before you begin.*

Certified to comply with ANSI A112.18.1  
M968294 REV 1.1

### ATTENTION:

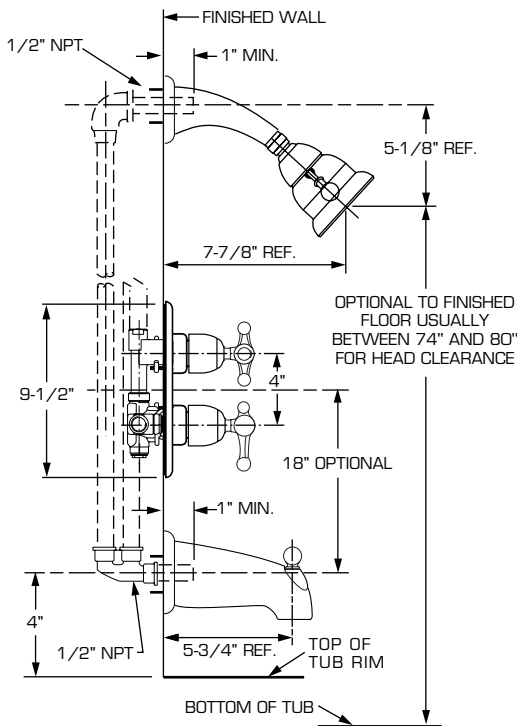
If TRIM T373.742 or diverter tub spout is used make sure TWIN ELL (B) P/N 8888.120 is connected to valve body as indicated in roughing-in sketch.



TWIN ELL P/N 8888.120 can be ordered as shown in the American Standard List Price Book

### ROUGHING-IN DIMENSIONS Installation for Bath/Shower, Shower only, or Valve only Trim.

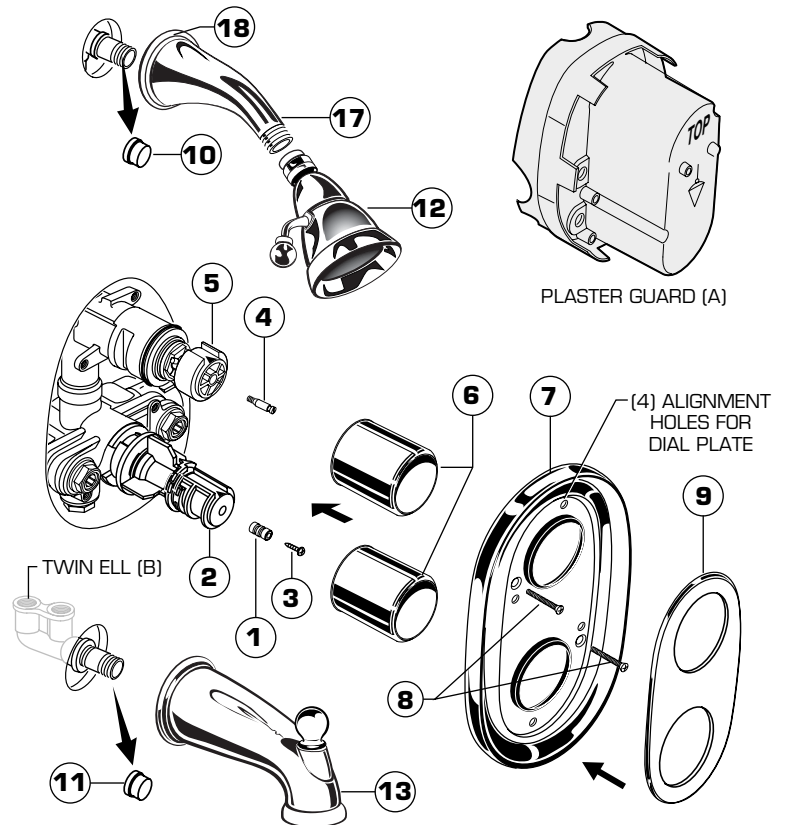
- Dimensions are for reference.



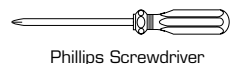
## 1 INSTALL TRIM

**CAUTION: Protect finish on SHOWER ARM, SHOWER HEAD and TUB SPOUT when installing.**

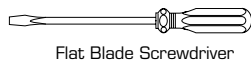
- When finished tiling the wall, remove PLASTER GUARD (A) and turn off water supply.
- Attach STEM ADAPTER (1) to TEMPERATURE CONTROL (2) valve stem with SELF TAPPING SCREW (3). Attach HANDLE SCREW (4) to VOLUME CONTROL ADAPTER (5).
- Push CAPS (6) onto TEMPERATURE CONTROL (2) and VOLUME CONTROL ADAPTER (5).
- Mount ESCUTCHEON (7) to valve body with SCREWS (8).
- Push DIAL PLATE (9) over CAPS (6) and into the four alignment holes in ESCUTCHEON (7) and snap into place.
- Remove PIPE CAP (10) and PIPE CAP (11) from shower pipe and tub filler pipe.
- Install SHOWER ARM (17) with SHOWER ARM ESCUTCHEON (18), SHOWER HEAD (12) and TUB FILLER SPOUT (13) by threading onto pipe nipples. Use teflon tape or pipe sealant on pipe threads.



### Required Tools



Phillips Screwdriver



Flat Blade Screwdriver



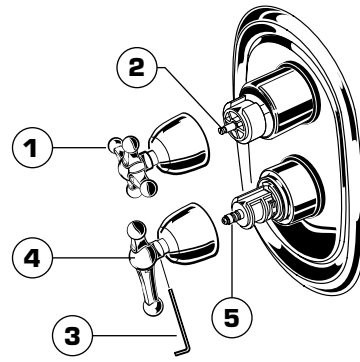
Adjustable Wrench



Channel Locks

## 2 INSTALL HANDLES

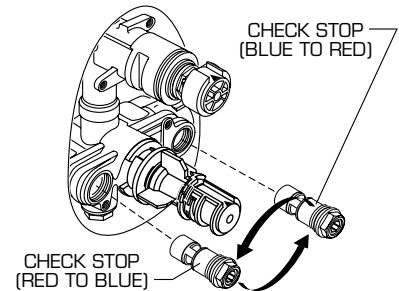
- Align CROSS HANDLE (1) and push onto VOLUME CONTROL ADAPTER (2). Tighten set screw in CROSS HANDLE (1) securely with HEX WRENCH (3) supplied.
- Align LEVER HANDLE (4) and push onto TEMPERATURE CONTROL ADAPTER (5). Tighten set screw in LEVER HANDLE (4) securely with HEX WRENCH (3) supplied.



## 3 TRANSPOSED SUPPLY PIPING OR BACK TO BACK INSTALLATION

Should the hot and cold water supply pipes have been transposed making adjustment impossible, proceed as follows:

- Shut off water supply.
- Remove handle and rim
- Remove check stops and re-install them transposed.
- Important note: RED CHECK STOP is now on the right of the mixer body and the BLUE CHECK STOP is now on the left.
- Turn the water supply back on and perform the temperature adjustment in step 2.

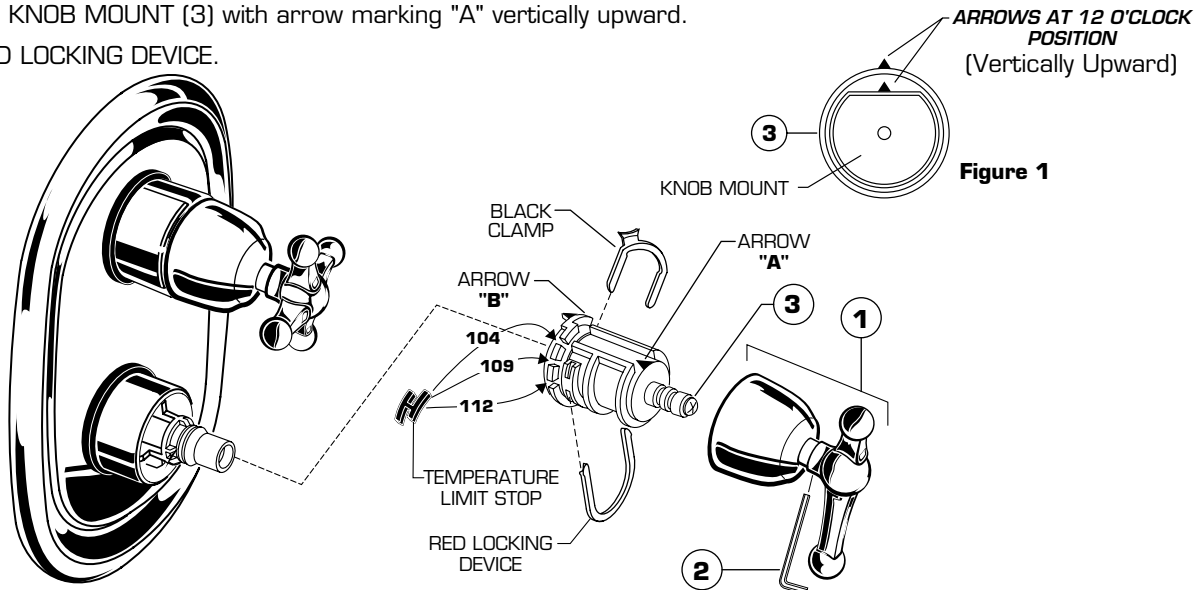


## 4 TEMPERATURE ADJUSTMENT

- Loosen set screw in LEVER HANDLE ASSEMBLY (1) with HEX WRENCH (2) supplied and pull off LEVER HANDLE ASSEMBLY (1).
- Check that arrow marking B points vertically upward. If not, push the BLACK CLAMP on the SECURING RING to the right, pull off KNOB MOUNT (3) and reinstall KNOB MOUNT (3) with arrow "B" vertically upward. See Figure 1.

### SET HOT LIMIT STOP

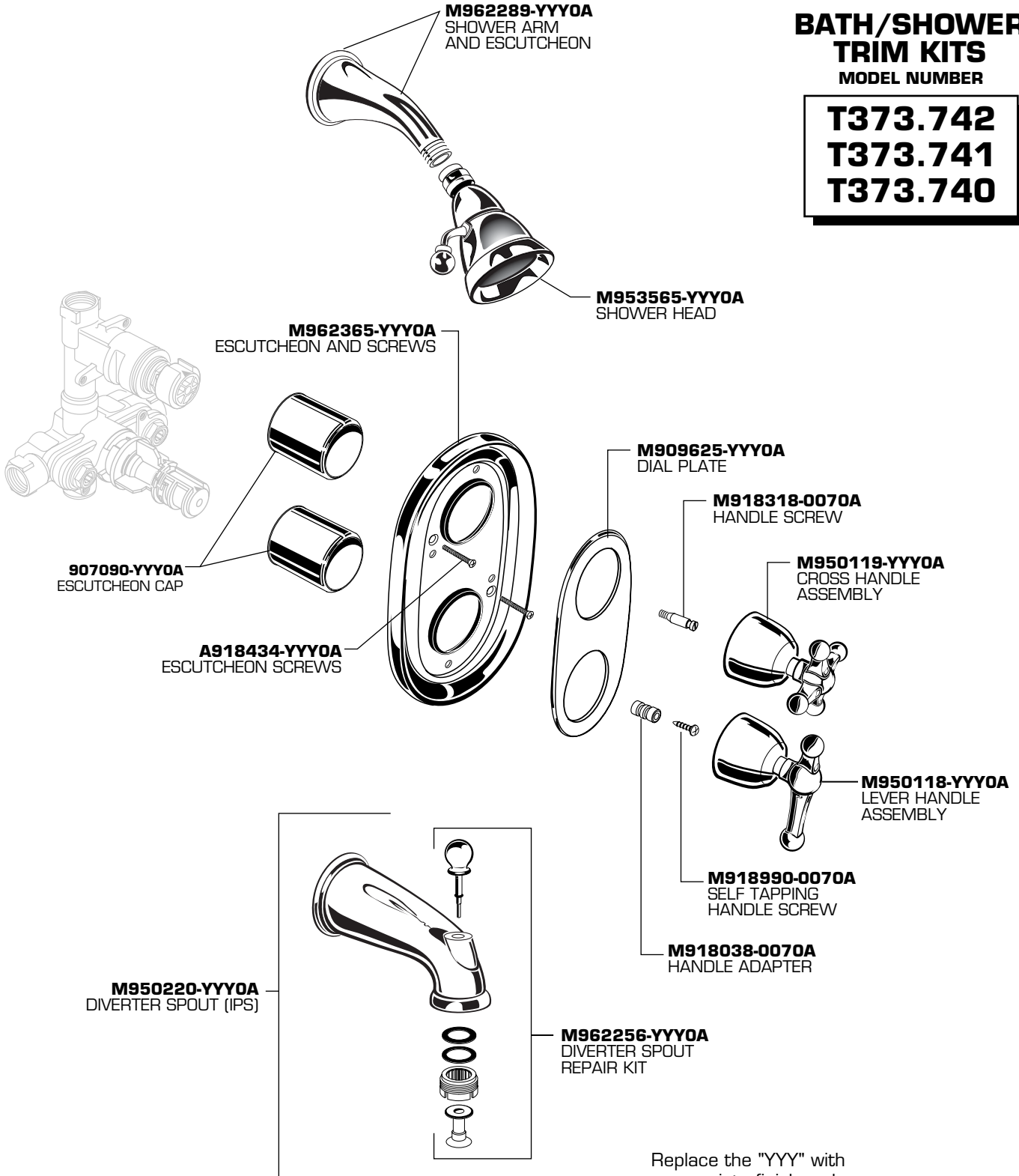
- The maximum mixed water temperature is set at 109 F at the factory. This setting can be changed if desired.
- Remove the TEMPERATURE LIMIT STOP (H shaped Black Plastic part). Reinstall it at the desired notch as indicated in the diagram to limit the maximum mixed water temperature to 104 F or 112 F.
- For 100 F adjustment, turn the water supply on. Turn KNOB MOUNT (3) until the spout temperature is 100 F. Check that arrow "A" on the KNOB MOUNT (3) still points vertically upward after adjusting the thermostat to 100 F. If not, pull out the RED LOCKING DEVICE. Remove KNOB MOUNT (3) by pulling it towards you while standing directly in front of the valve.
- Reinstall the KNOB MOUNT (3) with arrow marking "A" vertically upward.
- Reinstall RED LOCKING DEVICE.



### CARE INSTRUCTIONS:

- DO: SIMPLY RINSE THE PRODUCT CLEAN WITH CLEAR WATER. DRY WITH A SOFT COTTON FLANNEL CLOTH.**
- DO NOT: CLEAN THE PRODUCT WITH SOAPS, ACID, POLISH, ABRASIVES, HARSH CLEANERS, OR A CLOTH WITH A COARSE SURFACE**

**T373.742**  
**T373.741**  
**T373.740**



Replace the "YYY" with  
appropriate finish code

CHROME	002
POLISHED NICKEL	008
BLACKENED BRONZE	068
POLISHED BRASS	099
SATIN	295



**HOT LINE FOR HELP**  
For toll-free information and answers to your questions, call:  
1-800-442-1902  
Weekdays 8:00 a.m. to 8:00 p.m. EST

IN CANADA 1-800-387-0369 (TORONTO 1-905-306-1093)  
Weekdays 8:00 a.m. to 7:00 p.m. EST

Product names listed herein are trademarks of American Standard Inc.  
© American Standard Inc. 2003