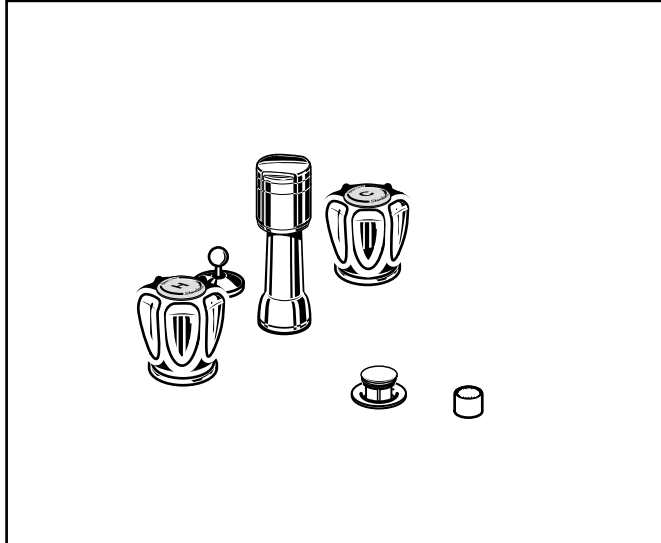


American Standard



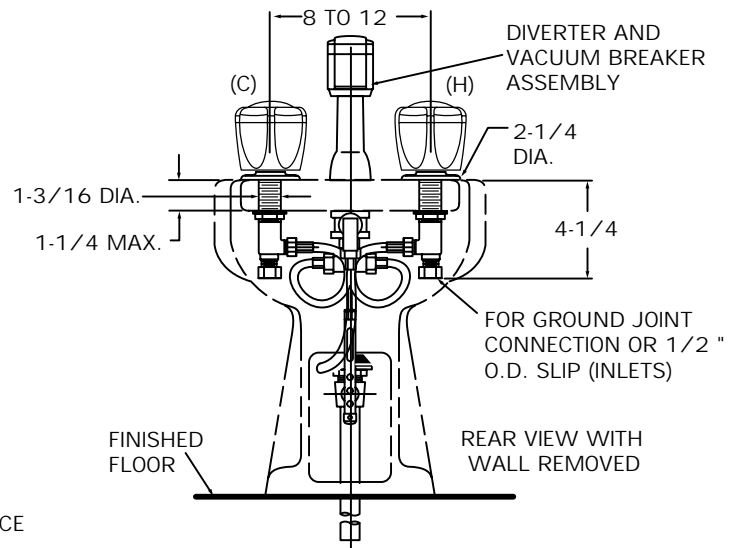
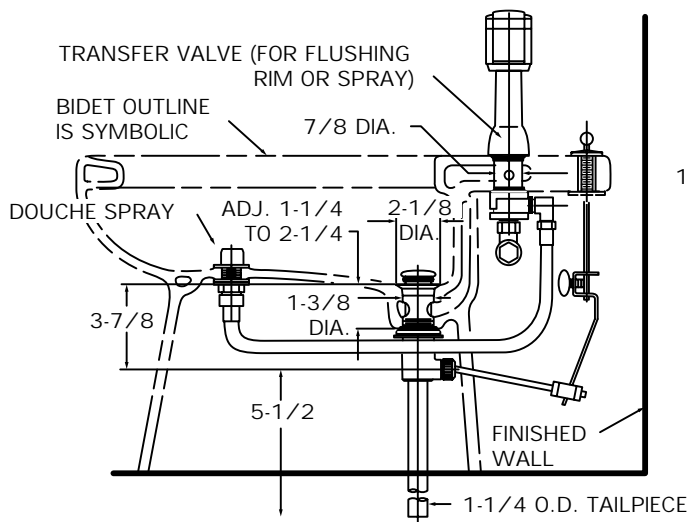
3475.301 Shown.

COLONY SOFT

FIXTURE-MOUNTED BIDET FITTING

MODEL NUMBER:

- 3475.301 Fixture-Mounted Bidet Fitting**
Vacuum breaker. Pop-up drain. Acrylic handles.
- 3475.300 Fixture-Mounted Bidet Fitting**
Less vacuum breaker. Pop-up drain. Acrylic handles.



GENERAL DESCRIPTION:

Cast brass valve bodies. Amarillis 1/4 turn washerless ceramic disc valve cartridge - reversible for use with either lever or round handles. Diverter controls water flow between douche spray and flushing rim. Douche spray has built-in spray height adjustment.

PRODUCT FEATURES:

Brass Construction: Durable - Excellent in high use applications. Ideal for prolonged contact with water. Provides the finest surface for application of all colors and finishes.

Ceramic Disc Valve Cartridges: Assures a lifetime of drip-free performance.

Choice of Finishes: Available in a wide range of durable finishes.

SUGGESTED SPECIFICATION:

Two handle deck-mount bidet fitting with matching pop-up drain shall feature solid brass construction. Shall also feature 1/4 turn ceramic disc valve cartridges that are reversible for use with either cross or lever handles. Fitting shall be American Standard Model # 3475.30X.



COLONY SOFT

FIXTURE-MOUNTED BIDET FITTING

CODES AND STANDARDS

These products meet or exceed the following codes and standards:

- ASME A112.18.1M
- CSA B 125
- ASSE 1001

Product Number	Description	Finish
		002
3475.301	Fixture-mounted bidet fitting. Vacuum breaker. Pop-up drain. Acrylic handles.	Polished Chrome
3475.300	Fixture-mounted bidet fitting. Less vacuum breaker. Pop-up drain. Acrylic handles.	