

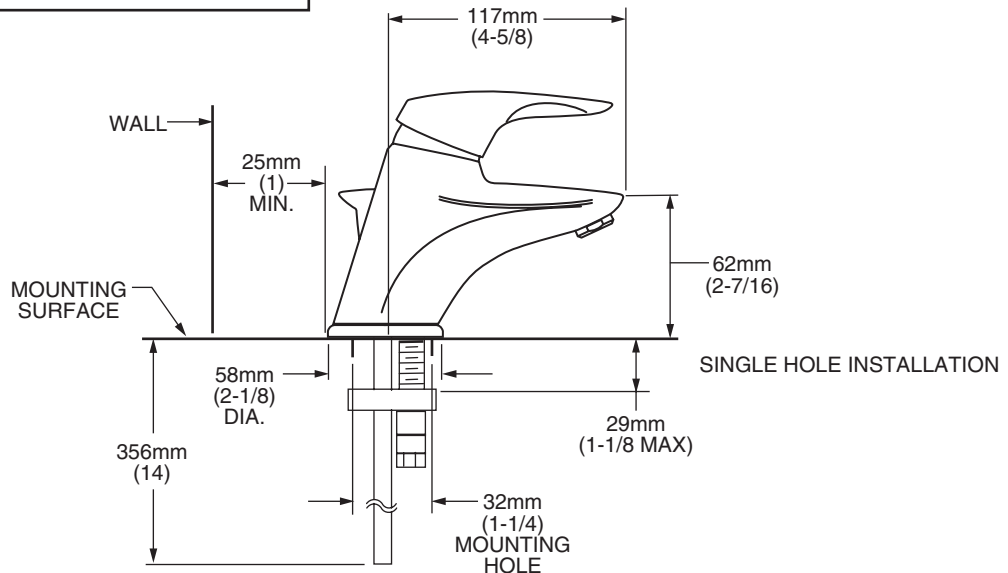
2000.101X Shown.

MODEL NUMBER:

- 2000.101 Lavatory Faucet**
Pop-up drain. 3/8" copper inlets. Escutcheon plate.
- 2000.100 Lavatory Faucet**
Less drain. Less hole and pop-up rod. 3/8" copper inlets. Escutcheon plate.
- 2000.101X Lavatory Faucet**
Pop-up drain. 3/8" copper inlets. Less escutcheon plate.

AVAILABLE ACCESSORY:

- 2000.102P Escutcheon Plate Only**



GENERAL DESCRIPTION:

Cast brass body and brass escutcheon (on applicable models) with all metal handle. Washerless 47mm ceramic disc valve cartridge. Equipped with a hot limit safety stop. 14" long, 3/8" O.D. copper supplies. 2.2 gpm/8.3L/min. maximum flow rate.

PRODUCT FEATURES:

- Cast Brass body and Copper Waterway:** Highest quality faucet materials for durability & long life.
- Ceramic Disc Valve Cartridge:** Assures a lifetime of drip-free performance.
- Adjustable Hot Limit Safety Stop:** Limits the amount of hot water allowed to mix with cold. Reduces the risk of accidental scalding.
- Wide Comfort Zone:** Gives more sensitive temperature control.
- Low Lead:** Meets NSF Standard 61/Section 9 & Prop 65 lead requirements.
- Choice of Finishes:** Available in Polished Chrome or Satin Nickel (PVD).

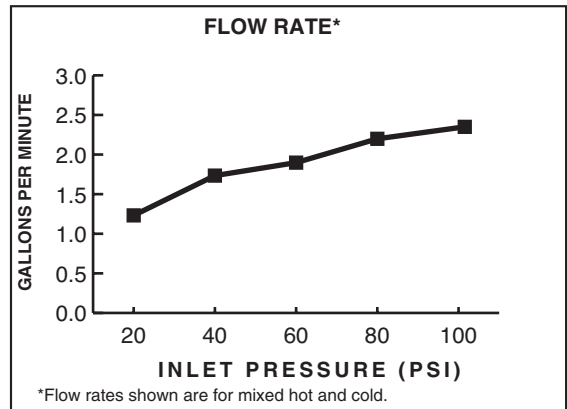
SUGGESTED SPECIFICATION:

Single control lavatory fitting shall feature a cast brass body with all metal handle. Shall also feature washerless ceramic disc valve cartridge. Fitting shall be equipped with a hot limit safety stop. Fitting shall be American Standard Model # 2000.____.____.

CODES AND STANDARDS


These products meet or exceed the following codes and standards:

- ANSI A117.1
- ASME A112.18.1
- CSA B 125
- NSF 61/Section 9



Product Number	Description	Finish Options*	
		Polished Chrome	PVD Satin Nickel
		002	295
2000.101	Lavatory faucet. Pop-up drain. Escutcheon plate.		
2000.100	Lavatory faucet. Less drain, less pop-up hole and rod. Escutcheon plate.		N/A
2000.101X	Lavatory faucet. Pop-up drain. Less escutcheon.		
2000.102P	Escutcheon plate only.		

N/A = NOT AVAILABLE

 Meets the American Disabilities Act Guidelines and **ANSI A117.1** Requirements for the physically challenged.

***EverClean™ Finish:**

- Offered on Polished Chrome (002) and Satin Nickel (295) finish.
- One wipe effortlessly removes spots.
- Eliminates the need for cleaners and scrubbing.