

American Standard

# Installation Instructions 2555.201

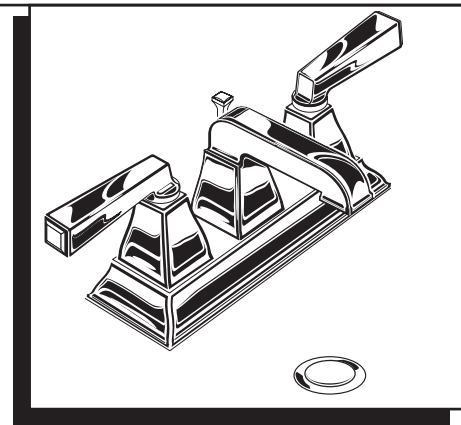
## TOWNSQUARE

CenterSet Faucet  
with EverClean™ Finish

Congratulations on purchasing your American Standard faucet with EverClean finish found only on American Standard faucets.

### EverClean Finish

- One wipe effortlessly removes spots
- Eliminates the need for cleaners and scrubbing
- Permanent surface protectant remains beautiful for the life of the faucet
- EverClean™ available on: Polished Chrome, Satin Nickel, Stainless Steel, Polished Brass (or any combination of these finishes)



Certified to comply with ASME A112.18.1M  
Certifié ASME A112.18.1M

M968786 REV. 1.1

To ensure that your installation proceeds smoothly—please read these instructions carefully before you begin.

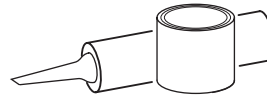
### TOOLS REQUIRED



Channel Locks



Adjustable Wrench



Plumbers' Putty or Caulking



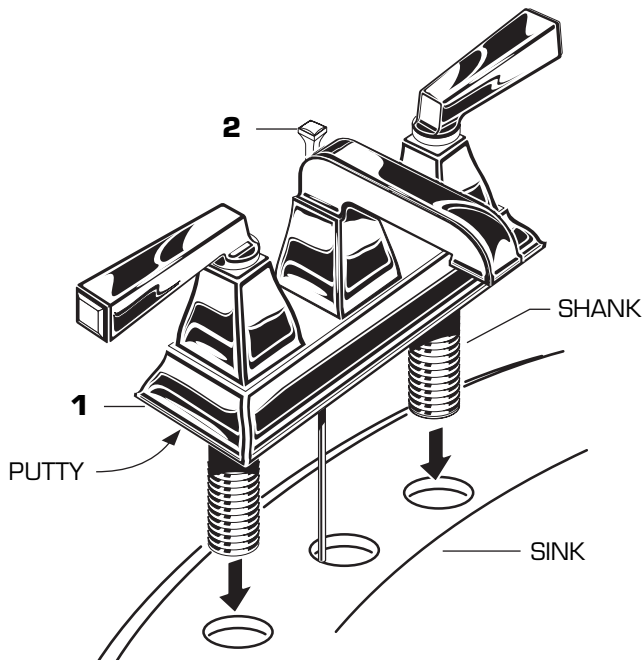
Phillips Screwdriver

## 1 INSTALL FAUCET

### CAUTION

Turn off hot and cold water supplies before beginning.

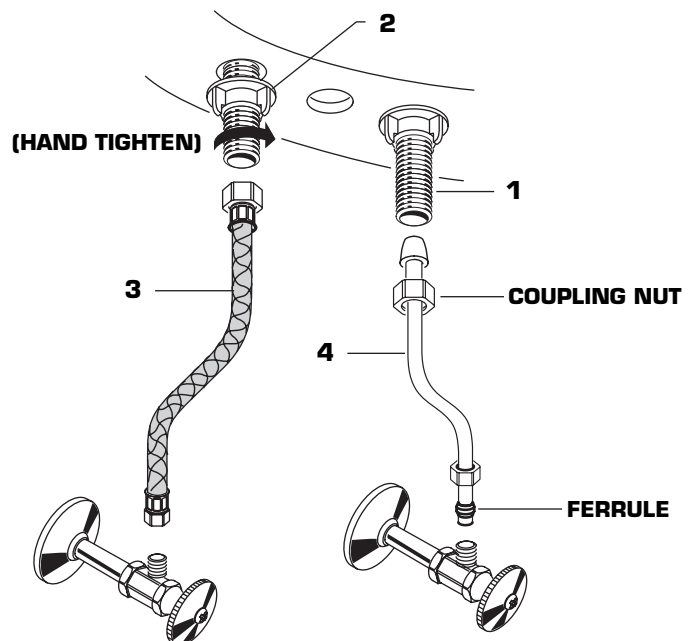
- Apply a bead of PUTTY along the edge of the underside of the BODY (1). Insert LIFT ROD (2) through hole in BODY (1).
- Insert faucet SHANKS through holes of SINK. Place faucet as far forward as possible.



## 2 SECURE FAUCET AND MAKE WATER SUPPLY CONNECTIONS

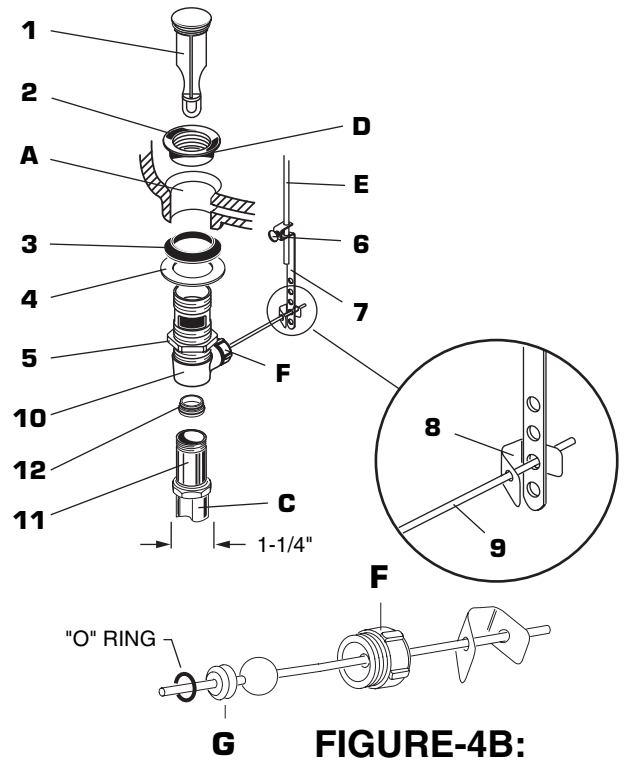
**NOTE: FLEXIBLE SUPPLIES OR BULL-NOSE RISERS MUST BE PURCHASED SEPARATELY.**

- Secure FAUCET (1) with ATTACHMENT NUTS (2) supplied. (HAND TIGHTEN).
- Connect water supply to FAUCET (1) with 1/2" IPS FLEXIBLE SUPPLIES (3) or 3/8" O.D. BULL-NOSE RISERS (4). Use adjustable wrench to tighten connections. Do not over tighten. Be careful not to kink copper supply when bending. Use tubing cutter to cut to proper length.



### 3 INSTALL POP-UP DRAIN

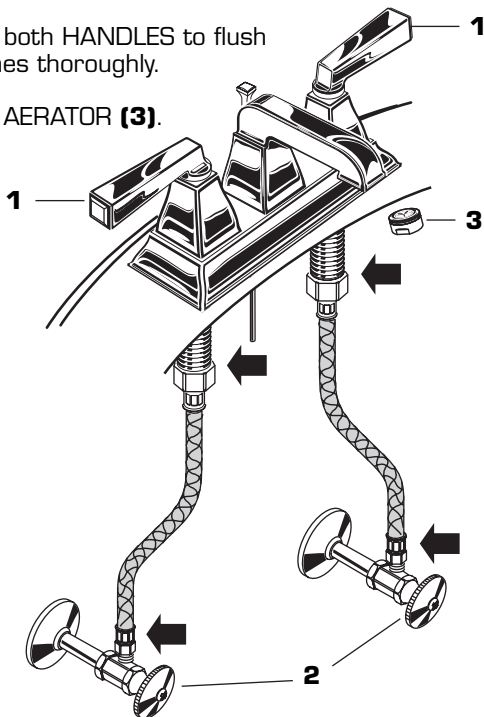
- Push Tail piece (11) down into Trap (C) (threaded end up).
- Thread Locknut (5), Washer (4) and Gasket (3) (Bevel side up) onto Drain Body (10).
- Apply a bead of Putty (D) to underside of Flange (2).
- Feed Drain Body (10) up through Sink (A) and thread the Flange (2) fully onto Drain Body (10).
- Tighten Locknut (5) firmly, keeping the pivot rod hole pointed towards the back of the sink.
- Assemble Pivot Rod (9) as shown in Figure-4B. Notice the position of the Concave Washer (G).
- Insert Pivot Rod (9) into Drain Body (10) and tighten Pivot Nut (F).
- Push TAILPIECE INSERT (12) into TAILPIECE (11) and push TAILPIECE up and thread tightly into DRAIN BODY (10).
- Position Extension Rod (7) onto Pop-Up Rod (E) and tighten Thumbscrew (6).
- Remove one end of Clip (8) from Pivot Rod (9) by squeezing ends together while sliding.
- Insert Pivot Rod (9) into second or third hole in Extension Rod (7) and reassemble Clip (8).
- Drop Stopper (1) into Drain Body (10).
- Adjust stopper height by repositioning Extension Rod (7) and tightening Thumbscrew (6).



**FIGURE-4B:**

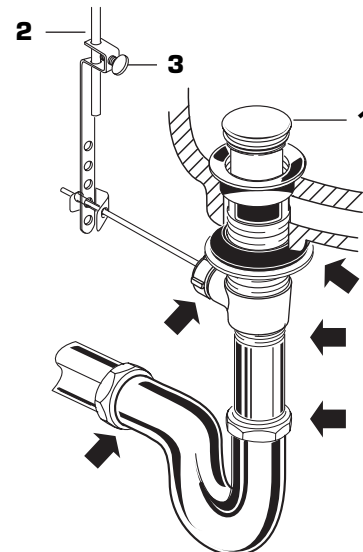
### 4 TEST INSTALLED FITTING

- With HANDLES (1) in OFF position, turn on WATER SUPPLIES (2) and check all connections for leaks.
- Remove AERATOR (3).
- Operate both HANDLES to flush water lines thoroughly.
- Replace AERATOR (3).



### 5 CHECK DRAIN CONNECTIONS

- Operate Pop-Up and fill lavatory with water. Check that DRAIN STOPPER (1) makes a good seal and retains water in lavatory. Adjust stopper height by repositioning Pop-Up Rod (2) and tightening Thumbscrew (3).
- Release DRAIN STOPPER (1) and check all drain connections and "P" trap for leaks. Tighten if necessary.



### 6 EverClean™ Finish Care Instructions

American Standard's EverClean finish will wipe clean with a soft, dry cloth. A soft cloth with clean water may also be used, if desired. No additional cleaning products are required.

**DO NOT USE:** Soaps, acid, polish, abrasives, harsh cleaners, or a cloth with a coarse surface.