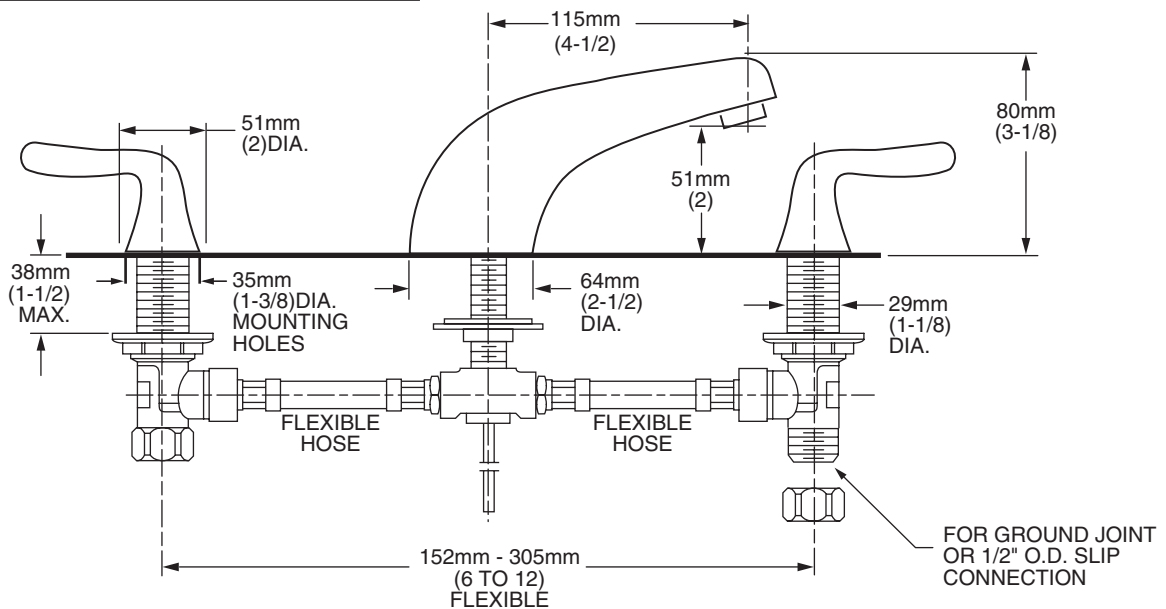


**MODEL NUMBER:**

- ☐ **3875.501** Widespread Lavatory  
50/50 drain.



**GENERAL DESCRIPTION:**

Cast brass valve bodies with reinforced flexible hose connections for 6" to 12" (152mm to 305mm) installations. 1/4 turn washerless ceramic disc valve cartridges. Cast brass spout. One-half inch brass male inlets with brass coupling nuts. 2.2 gpm/8.3L/min. maximum flow rate.

**PRODUCT FEATURES:**

**Brass Construction:** Durable. Ideal for prolonged contact with water.

**Ceramic Disc Valve Cartridges:** Smooth handle operation and assures a lifetime of drip-free performance.

**Low Lead:** Meets NSF Standard 61/Section 9 & Prop 65 lead requirements.

**Choice of Finishes**

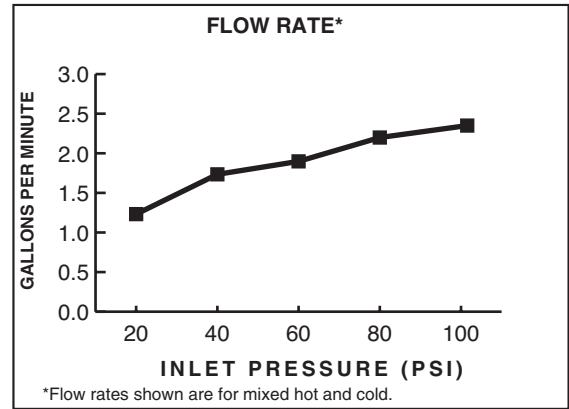
**SUGGESTED SPECIFICATION:**

Two handle widespread lavatory faucet shall feature cast brass valve bodies with reinforced flexible hose connections for 6" to 12" installations. Shall also feature 1/4 turn washerless ceramic disc valve cartridges. Fitting shall be American Standard Model # 3875.\_\_\_\_.


**CODES AND STANDARDS**

These products meet or exceed the following codes and standards:

- ANSI A117.1**
- ASME A112.18.1**
- CSA B 125**
- NSF 61/Section 9**



Product Number	Description	Finish Options	
		Polished Chrome	PVD Polished Brass
3875.501	Lavatory faucet. With Lever Handles. 50/50 drain.	002	099

 Meets the American Disabilities Act Guidelines and **ANSI A117.1** Requirements for the physically challenged.