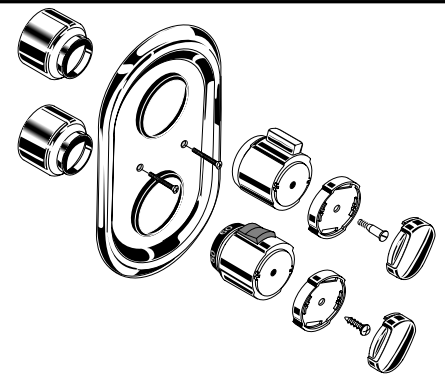


American Standard

CERATHERM

**TRIM KIT for CENTRAL THERMOSTAT  
with VOLUME CONTROL**

**Installation  
Instructions  
T050.210**



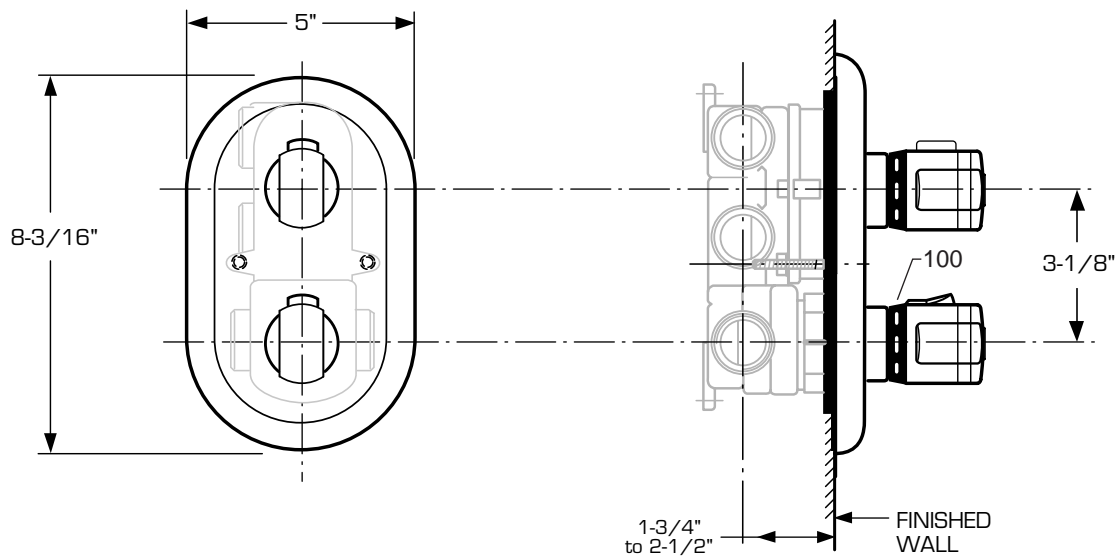
Thank you for selecting American-Standard...the benchmark of fine quality for over 100 years.

To ensure that your installation proceeds smoothly—please read these instructions carefully before you begin.

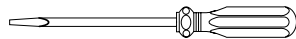
Certified to comply with ANSI A112.18.1M  
ASSE 1016

M968418

**ROUGHING-IN DIMENSIONS**



**Recommended Tools**



Flat Blade Screwdriver



Phillips Screwdriver

**CARE INSTRUCTIONS:**

- To keep your new faucet looking new, please follow these simple care instructions:

**DO:** ■ Simply rinse the faucet clean with clear water.  
■ Dry the faucet with a soft cotton cloth.

**DO NOT:**

- Do not use any abrasive cleaners, cloths, or paper towels.
- Do not use any cleaning agents containing acids, polish abrasives, or harsh cleaners or soaps.

- Regular and routine cleaning will reduce the need for heavy cleaning and polishing. If heavy cleaning is required, the following procedures are recommended:

- Remove as much surface dirt and film using clear water and soft cotton cloth (as described above).

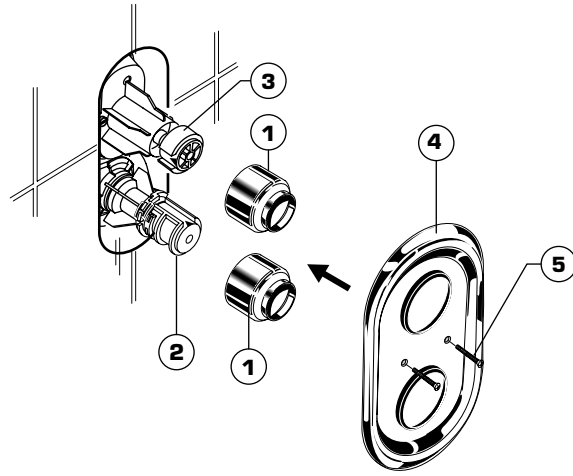
- Use any of the following to remove tough surface film and build-up:
  - Mild liquid detergents
  - Clear ammonia free liquid glass cleaners
  - Non-acidic, non-abrasive gentle liquid or fully dissolved powder cleansers mixed according to manufacturers directions.
  - Non-abrasive liquid polishers

- Once clean, rinse faucet again with clear water to thoroughly remove cleaner or polish and blot dry with a soft cotton cloth.

**Failure to follow these care instructions may damage the Faucet's finish.**

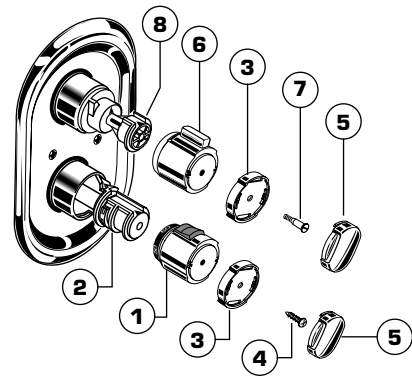
# 1 TRIM INSTALLATION

- Push CAPS (1) onto TEMPERATURE-CONTROL KNOB (2) and VOLUME-CONTROL KNOB (3) until fully seated.
- Push on ESCUTCHEON (4) and attach with SCREWS (5) to valve body.



# 2 HANDLE INSTALLATION

- Push TEMPERATURE-CONTROL KNOB (1) with the red stop onto KNOB MOUNT (2). Push RING (3) onto TEMPERATURE-CONTROL KNOB (1) and attach with SCREW (4).
- Push VOLUME-CONTROL KNOB (6) onto HANDLE ADAPTER (8). Push RING (3) onto VOLUME-CONTROL KNOB (6) and attach with SCREW (7).
- Press on KNOB CAPS (5).

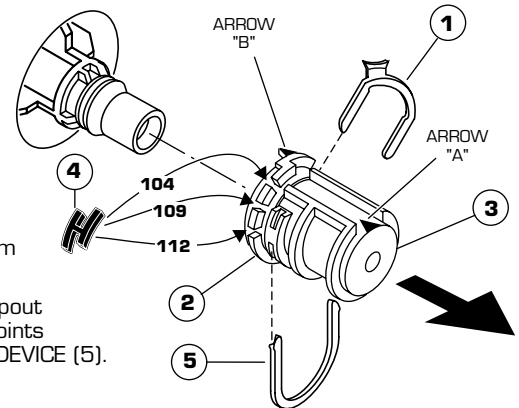


# 3 TEMPERATURE CALIBRATION

- Check that arrow marking B points vertically upwards. If not, push the BLACK CLAMP (1) on the SECURING RING (2) to the right, pull off KNOB MOUNT (3) and reinstall KNOB MOUNT (3) with arrow "B" pointing upwards.

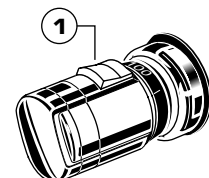
## SET HOT LIMIT STOP

- The maximum mixed water temperature is set at 109 F at the factory. This setting can be changed if desired.
- Remove the TEMPERATURE LIMIT STOP (4) (H shaped Black Plastic part). Reinstall it at the desired notch as indicated in the diagram to limit the maximum mixed water temperature to 104 F or 112 F.
- For 100 F adjustment, turn the water supply on. Turn KNOB MOUNT (3) until the spout temperature is 100 F. Check that arrow marking A on the KNOB MOUNT (3) still points upward after adjusting the thermostat to 100 F. If not, pull out the RED LOCKING DEVICE (5). Remove KNOB MOUNT (3) without turning by sliding out as indicated by the arrow.
- Reinstall the KNOB MOUNT (3) so that the arrow marking A points upwards.
- Reinstall RED LOCKING DEVICE (5).



# 4 OPERATING THE VALVE

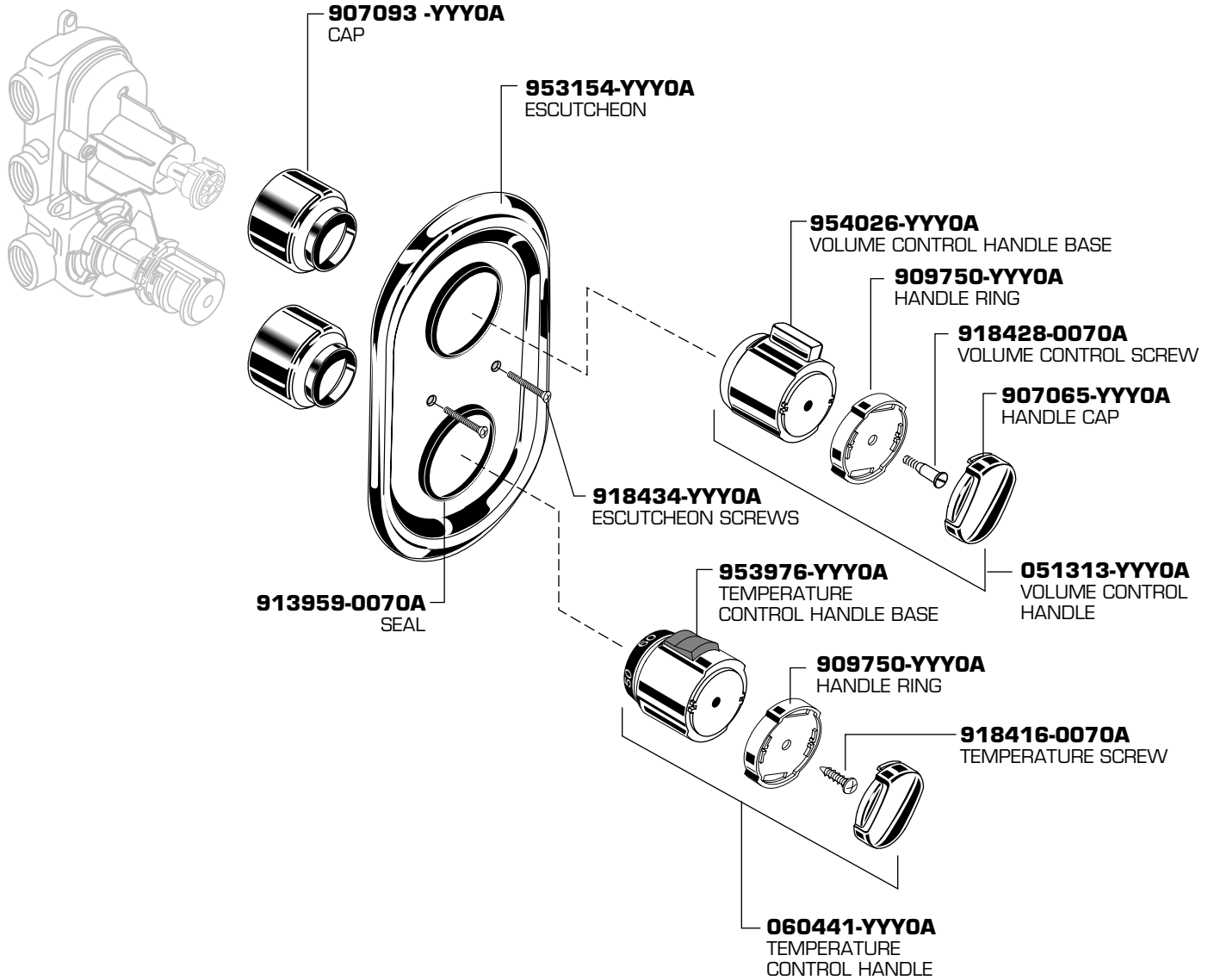
- If a temperature over 100 F is desired, pull the RED STOP BUTTON (1) away from the body of the MIXER UNIT and turn the TEMPERATURE KNOB.
- This will increase the mixed water temperature up to the maximum limit previously selected in step 3.



TRIM KIT for CENTRAL THERMOSTAT WITH VOLUME CONTROL

MODEL NUMBER

**T050.210**



Replace the "YYY" with appropriate finish code

CHROME	002
POLISHED BRASS	099
SATIN	295
CHR/POL. BRASS (MIXAGE)	299



HOT LINE FOR HELP  
For toll-free information and answers to your questions, call:  
1-800 442-1902  
Weekdays 8:00 a.m. to 8:00 p.m. EST

IN CANADA 1-800-387-0369 (TORONTO 1-905-306-1093)  
Weekdays 8:00 a.m. to 7:00 p.m. EST

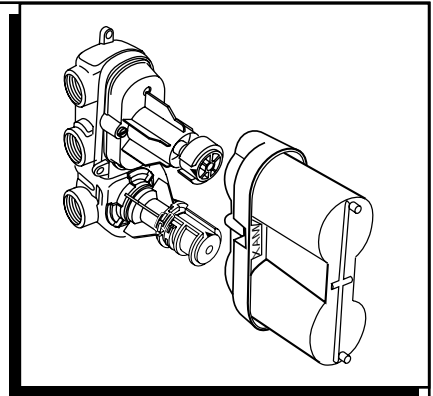
Product names listed herein are trademarks of American Standard Inc.  
© American Standard Inc. 2003

CERATHERM

CENTRAL THERMOSTAT  
with VOLUME CONTROL

Thank you for selecting American-Standard...the benchmark of fine quality for over 100 years.

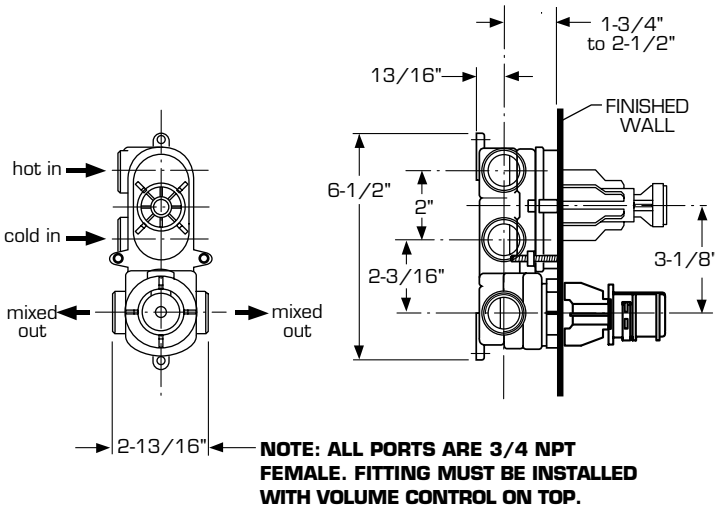
To ensure that your installation proceeds smoothly—please read these instructions carefully before you begin.



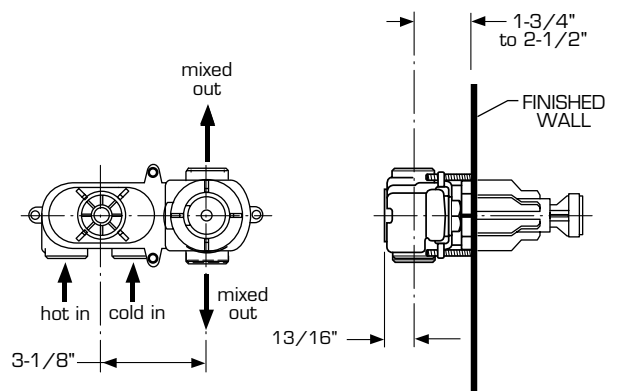
Certified to comply with ANSI A112.18.1M  
ASSE 1016

M968257

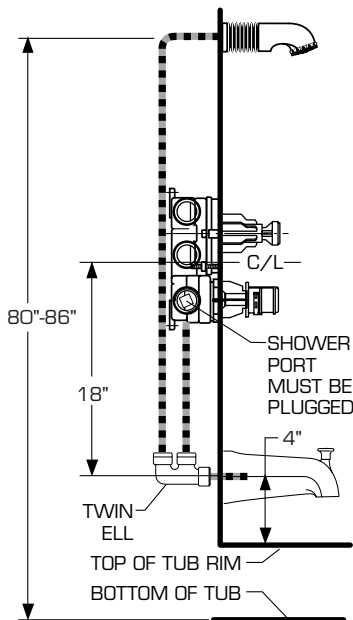
ROUGHING-IN DIMENSIONS  
VERTICAL



HORIZONTAL



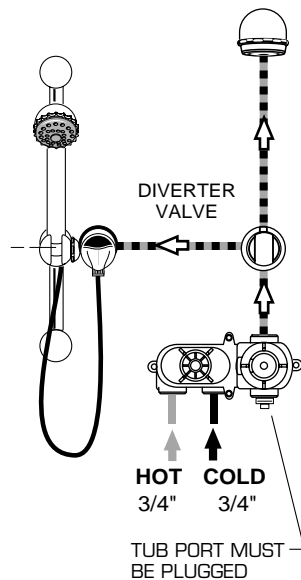
THERMOSTATIC BATH/  
SHOWER INSTALLATION  
USING A TWIN ELL, DIVERTER  
SPOUT AND FIXED SHOWER



THERMOSTATIC VALVE INSTALLED IN THE VERTICAL POSITION

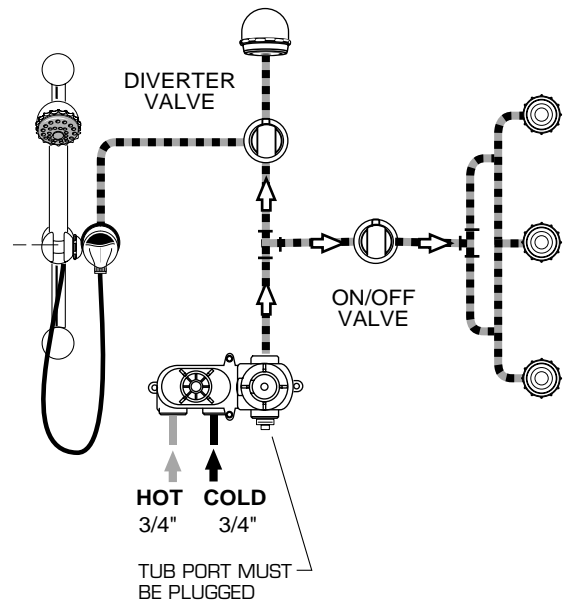
IMPORTANT: WHEN NOT USING A DIVERTER SPOUT A SEPARATE DIVERTER VALVE MUST BE USED.

THERMOSTATIC SHOWER INSTALLATION  
USING A DIVERTER VALVE, FIXED  
SHOWER HEAD AND ADJUSTABLE  
HAND HELD SHOWER



THERMOSTATIC VALVE INSTALLED IN THE HORIZONTAL POSITION

THERMOSTATIC SHOWER INSTALLATION USING A  
DIVERTER VALVE, FIXED SHOWER HEAD, ADJUSTABLE  
HAND HELD SHOWER, ON/OFF VALVE AND THREE  
BODY SPRAYS



THERMOSTATIC VALVE INSTALLED IN THE HORIZONTAL POSITION

# 1

## ROUGHING-IN THE VALVE

### CAUTION

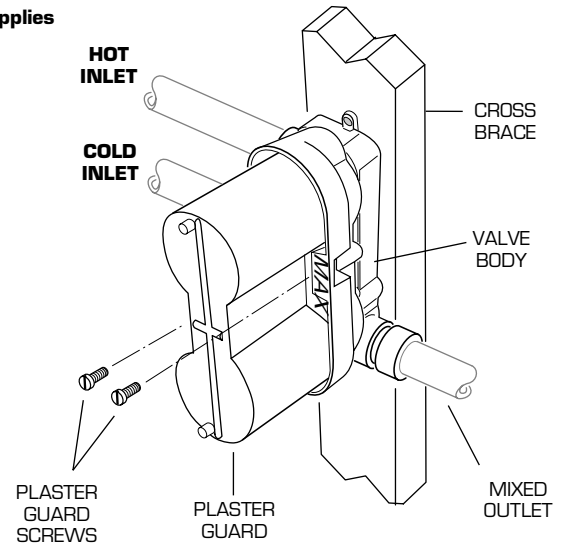
Turn off hot and cold water supplies before beginning.

- Decide on desired configuration.
- Prepare water supplies per ROUGHING-IN DIMENSIONS.
- Install VALVE at indicated height and depth.
- Connect HOT water supply to inlet marked with the RED DOT and COLD water supply to inlet marked with the BLUE DOT.
- Assemble the CONNECTING PIPE to one of the MIXED OUTLETS of the VALVE.  
**Note:** The tub port is fitted with a plug at the factory.
- Important! Install any required shut off or diverter valves into the piping system.

### WARNING

DO NOT SOLDER DIRECTLY TO THE VALVE BODY; THIS WILL DAMAGE THE TEMPERATURE CONTROL ELEMENT.

- Secure VALVE body to cross brace of wall structure.



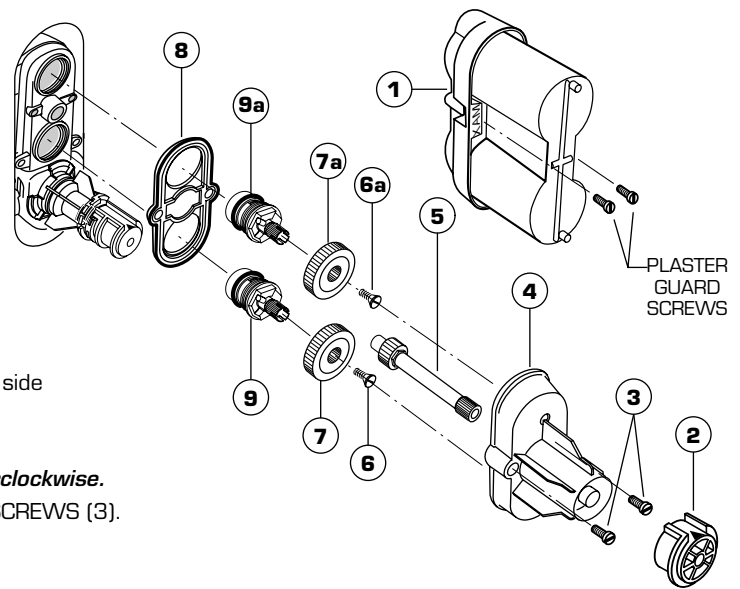
# 2

## FLUSHING THE VALVE

### CAUTION

Turn off hot and cold water supplies before beginning.

- Water should be flushed through the piping to prevent clogging of the *Thermal Element*.
- Remove PLASTER GUARD (1).
- Turn ADAPTER (2) on volume control clockwise until it reaches the stop.
- Pull off ADAPTER (2).
- Remove CLUTCH COVER SCREWS (3) and CLUTCH COVER (4).
- Pull out CLUTCH DRIVE SHAFT (5).
- Loosen the SCREWS (6) in the center of the GEARS (7). Remove the GEARS (7) and BACK PLATE (8).
- Remove the COLD CARTRIDGE (9) using a 22mm socket wrench.
- Turn on **MAIN COLD WATER SUPPLY** to flush line.
- Reassemble COLD CARTRIDGE (9) and repeat flushing steps for HOT side (9a).
- Replace BACK PLATE (8). Assemble both GEARS (7) with the flat side facing BACK PLATE (8) and tighten SCREWS (6).



### IMPORTANT:

- Close both CARTRIDGES (9, 9a) by rotating GEARS (7) counterclockwise.
- Replace CLUTCH DRIVE SHAFT (5) and CLUTCH COVER (4) with SCREWS (3).
- Turn VOLUME CONTROL HANDLE 180° to synchronize the HOT and COLD CARTRIDGES.
- Turn on water supply and check for leaks.

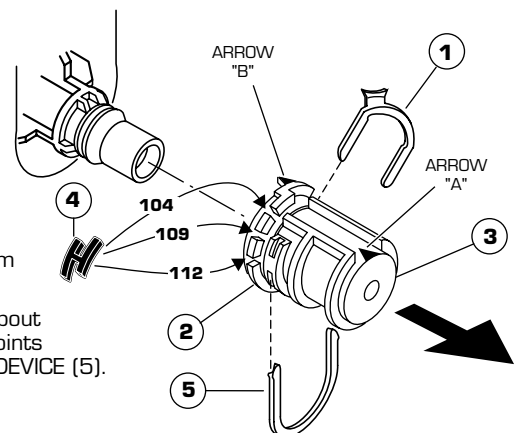
# 3

## TEMPERATURE CALIBRATION

- Check that arrow marking B points vertically upwards. If not, push the BLACK CLAMP (1) on the SECURING RING (2) to the right, pull off KNOB MOUNT (3) and reinstall KNOB MOUNT (3) with arrow "B" pointing vertically upwards.

### SET HOT LIMIT STOP

- The maximum mixed water temperature is set at 109° F at the factory. This setting can be changed if desired.
- Remove the TEMPERATURE LIMIT STOP (4) (H shaped Black Plastic part). Reinstall it at the desired notch as indicated in the diagram to limit the maximum mixed water temperature to 104° F or 112° F.
- For 100° F adjustment, turn the water supply on. Turn KNOB MOUNT (3) until the spout temperature is 100° F. Check that arrow marking A on the KNOB MOUNT (3) still points upward after adjusting the thermostat to 100° F. If not, pull out the RED LOCKING DEVICE (5). Remove KNOB MOUNT (3) without turning by sliding out as indicated by the arrow.
- Reinstall the KNOB MOUNT (3) so that the arrow marking A points upwards.
- Reinstall RED LOCKING DEVICE (5).



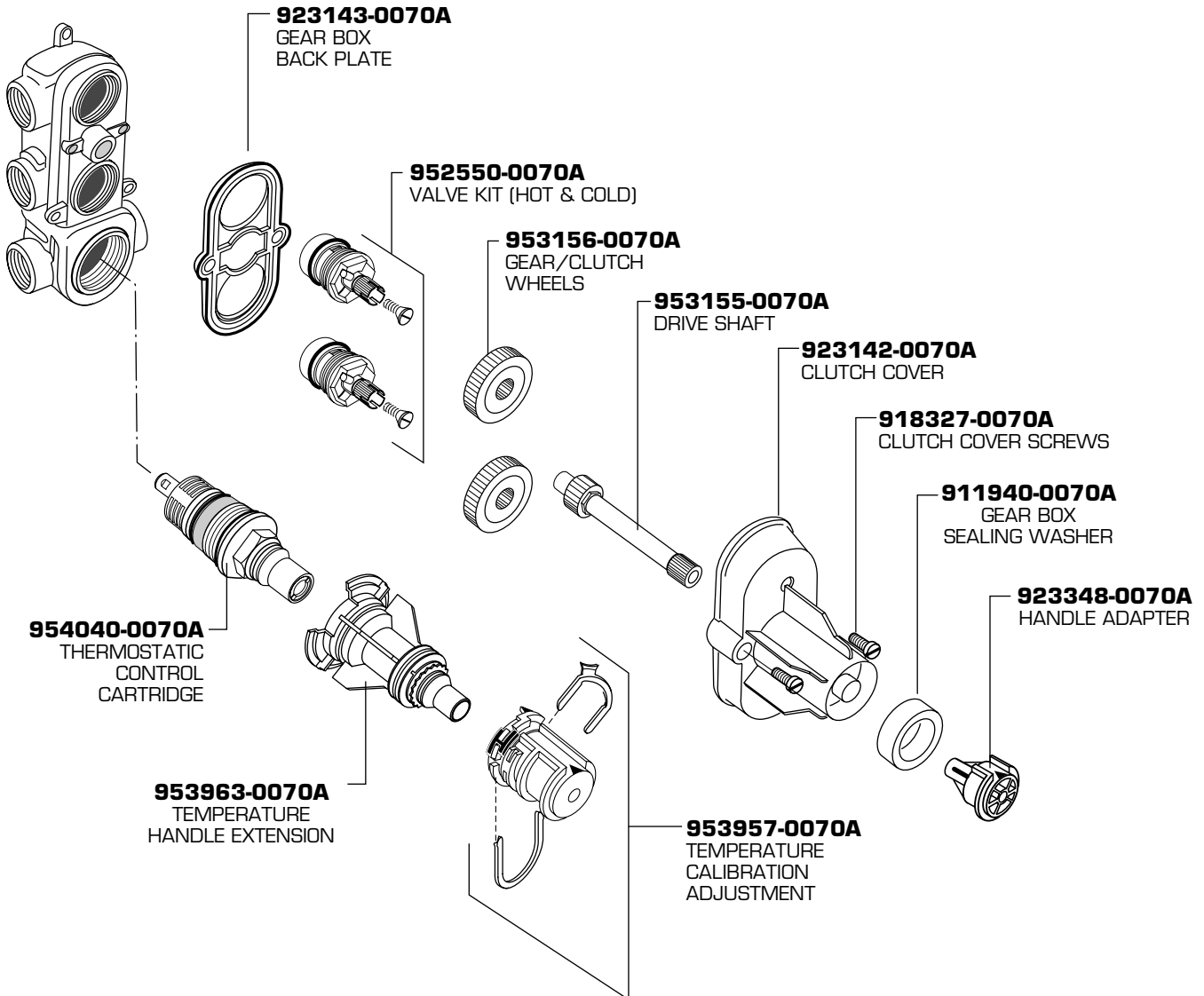
*American Standard*

CERATHERM

**CENTRAL THERMOSTAT  
WITH VOLUME CONTROL**

MODEL NUMBER

**R540**



**HOT LINE FOR HELP**

For toll-free information and answers to your questions, call:

1-800-442-1902

Weekdays 8:00 a.m. to 8:00 p.m. EST

IN CANADA 1-800-387-0369 (TORONTO 1-905-306-1093)

Weekdays 8:00 a.m. to 7:00 p.m. EST

Product names listed herein are trademarks of American Standard Inc.  
© American Standard Inc. 2003

M968257