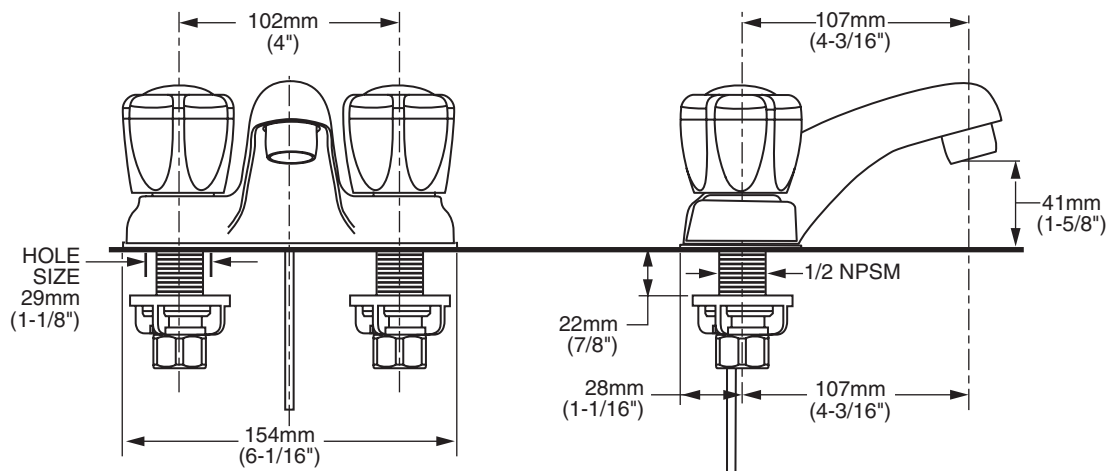


2275.400 Shown.

MODEL NUMBER:

- 2275.400 Centerset Lavatory Faucet**
Clear Acrylic Handles. 50/50 Pop-up drain.
- 2275.405 Centerset Lavatory Faucet**
Clear Acrylic Handles. Less drain. With pop-up hole, plug button and rod.



GENERAL DESCRIPTION:

Centerset lavatory faucet on 4" centers. 1/4 turn washerless ceramic disc valve cartridges. Durable cast brass waterways with one-half inch male inlet shanks. Metal body. 2.2 gpm/8.3L/min. maximum flow rate. Clear Acrylic Handles are faceted on the inside.

PRODUCT FEATURES:

Cast Brass Waterways with "City Shanks": Strong and durable. Integral tabs on casting provide a wobble-free installation.

Ceramic Disc Valve Cartridges: Assures a lifetime of smooth handle operation and drip-free performance. Reversible for use on either "hot" or "cold" side.

Low Lead: Meets NSF Standard 61/Section 9 & Prop 65 lead requirements.

Longer Spout: Provides extended reach into lavatory.

Simple Installation: Fast and easy one person installation. Faucet drops in from top. Quick spin nuts secure faucet in place.

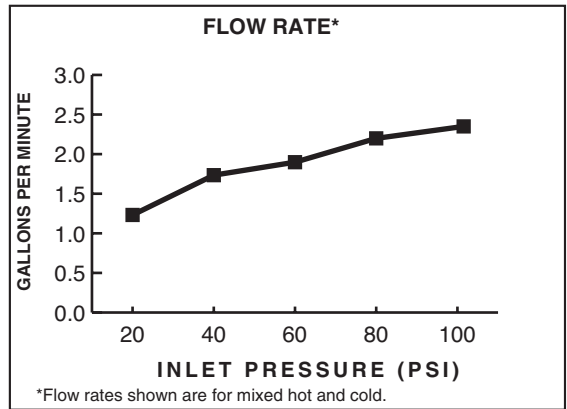
SUGGESTED SPECIFICATION:

Two-handle 4" centerset lavatory faucet shall feature a cast brass waterway. Shall also feature 1/4 turn washerless ceramic disc valve cartridges. Fitting shall be American Standard Model # 2275.40 ____.

CODES AND STANDARDS

These products meet or exceed the following codes and standards:

- ASME A112.18.1**
- CSA B125**
- NSF 61/Section 9**



Product Number	Description	Finish Options
		Polished Chrome
		002
2275.400	Centerset lavatory. Clear Acrylic Handles. 50/50 Pop-up drain.	
2275.405	Centerset lavatory. Clear Acrylic Handles. Less drain. With pop-up hole and rod.	