

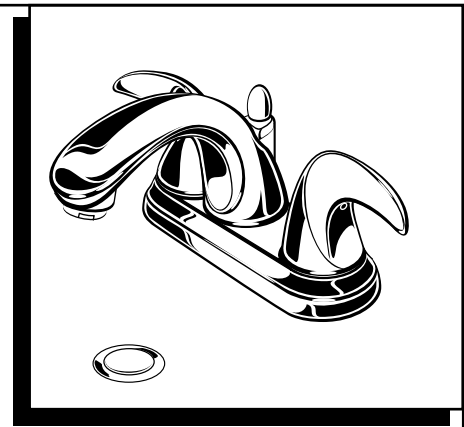
American Standard

Installation Instructions 6013

SWAN Center Set Faucet with POP-UP DRAIN

Thank you for selecting American-Standard...the benchmark of fine quality for over 100 years.

To ensure that your installation proceeds smoothly—please read these instructions carefully before you begin.



Certified to comply with ANSI A112.18.1

M968468

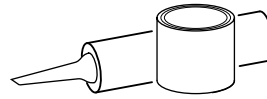
TOOLS REQUIRED



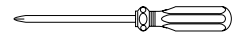
Channel Locks



Adjustable Wrench



Plumbers' Putty or Caulking



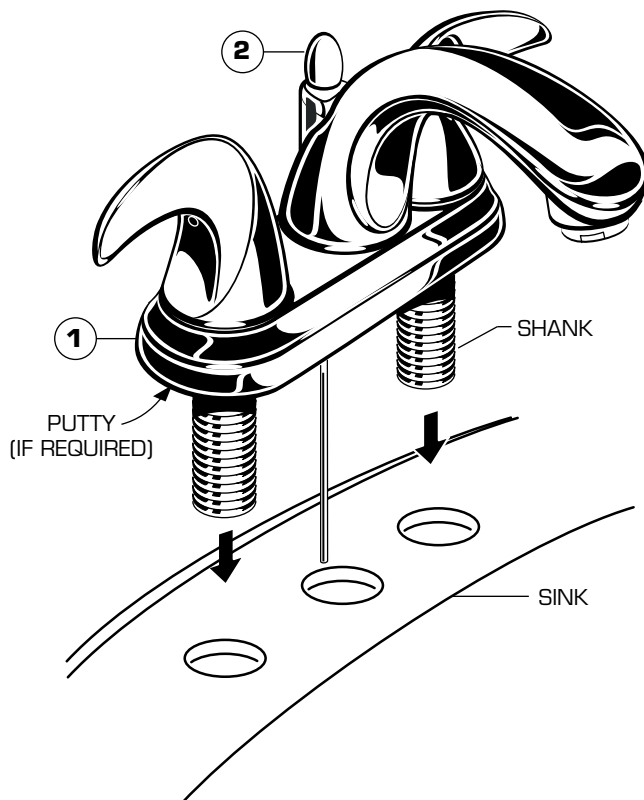
Phillips Screwdriver

1 INSTALL FAUCET

CAUTION

Turn off hot and cold water supplies before beginning.

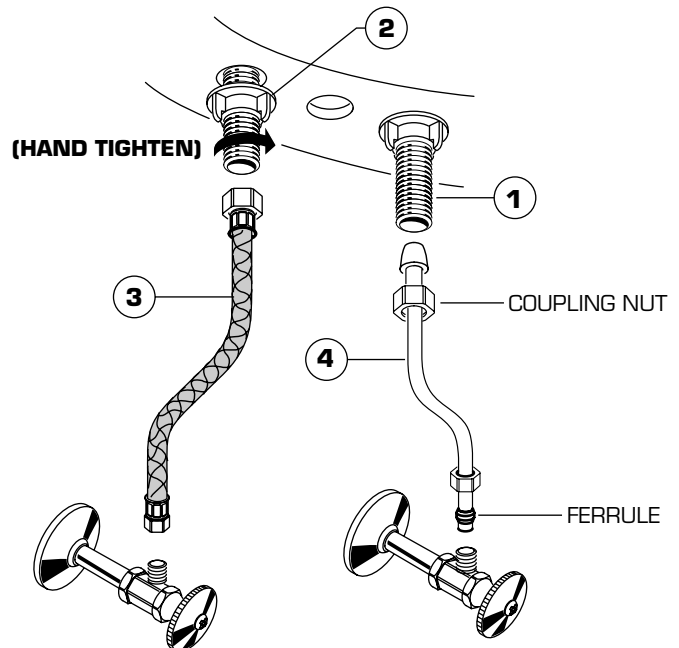
- **Note:** Putty is not required unless mounting surface is uneven. Apply a bead of PUTTY along the edge of the underside of the BODY (1) if required.
- Insert LIFT ROD (2) through hole in BODY (1).
- Insert faucet SHANKS through holes of SINK. Place faucet as far forward as possible.



2 SECURE FAUCET AND MAKE WATER SUPPLY CONNECTIONS

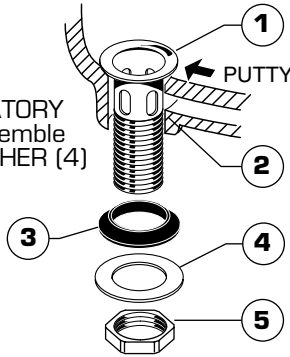
NOTE: FLEXIBLE SUPPLIES OR BULL-NOSE RISERS MUST BE PURCHASED SEPARATELY.

- Secure FAUCET (1) with ATTACHMENT NUTS (2) supplied. (HAND TIGHTEN).
- Connect water supply to FAUCET (1) with 1/2" IPS FLEXIBLE SUPPLIES (3) or 3/8" O.D. BULL-NOSE RISERS (4). Use adjustable wrench to tighten connections. Do not over tighten. Be careful not to kink copper supply when bending. Use tubing cutter to cut to proper length.



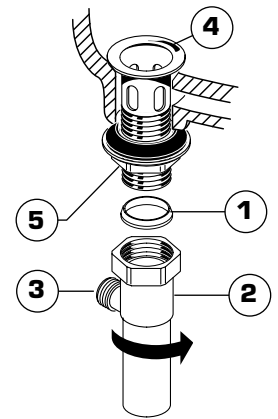
3 INSTALL POP-UP DRAIN

- Apply a bead of putty to underside of FLANGE (1).
- Drop FLANGE (1) into LAVATORY DRAIN (2). From below assemble RUBBER GASKET (3), WASHER (4) and LOCK NUT (5). Do not tighten fully.



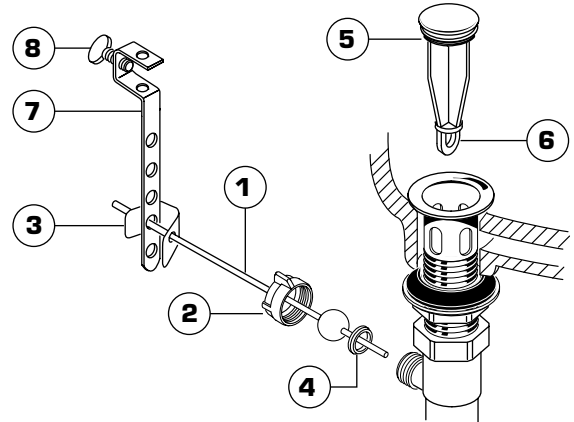
3a

- Place SEAL (1) with small end facing up into TAILPIECE (2) and tighten against DRAIN BODY (4). PIVOT ROD OPENING (3) in TAILPIECE (2) should face the rear of the lavatory. Tighten LOCK NUT (5) with channel locks. Do not over tighten.



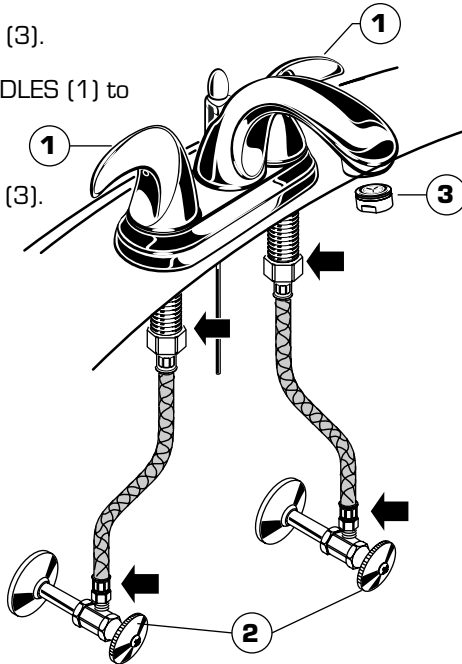
3b

- Assemble PIVOT ROD (1), PIVOT NUT (2), CLIP (3) and SEAL (4) as shown. Hand tighten PIVOT NUT (2). Drop STOPPER (5) into drain. (For vandal proof drain rotate stopper so PIVOT ROD (1) goes through EYE (6) of STOPPER (5).) Make connection to "P" TRAP.
- Remove one end of CLIP (3) from PIVOT ROD (1) by squeezing ends together while sliding.
- Insert PIVOT ROD (1) into second or third hole in EXTENSION (7) and reassemble CLIP (3). (EXTENSION (7) may need to be bent.)
- Adjust STOPPER (5) height by repositioning EXTENSION (7) and tightening THUMBSCREW (8).



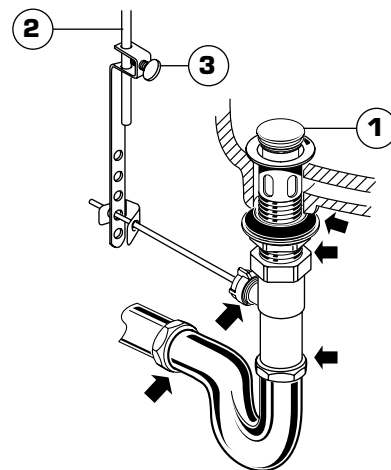
4 TEST INSTALLED FITTING

- With HANDLES (1) in OFF position, turn on WATER SUPPLIES (2) and check all connections for leaks.
- Remove AERATOR (3).
- Operate both HANDLES (1) to flush water lines thoroughly.
- Replace AERATOR (3).



5 CHECK DRAIN CONNECTIONS

- Operate Pop-Up and fill lavatory with water. Check that DRAIN STOPPER (1) makes a good seal and retains water in lavatory. Adjust stopper height by repositioning Pop-Up Rod (2) and tightening Thumbscrew (3).
- Release DRAIN STOPPER (1) and check all drain connections and "P" trap for leaks. Tighten if necessary.



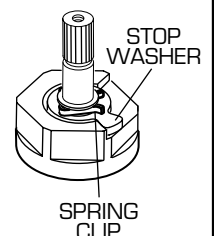
6 CARE INSTRUCTIONS:

DO: SIMPLY RINSE THE PRODUCT CLEAN WITH CLEAR WATER. DRY WITH A SOFT COTTON FLANNEL CLOTH.
DO NOT: CLEAN THE PRODUCT WITH SOAPS, ACID, POLISH, ABRASIVES, HARSH CLEANERS, OR A CLOTH WITH A COARSE SURFACE.

M968468

7 SERVICE

- To change direction of handle rotation, proceed as follows:
 - Turn valve to OFF position.
 - Remove INDEX BUTTON and HANDLE SCREW.
 - Pull HANDLE with ADAPTER off.
 - Remove SPRING CLIP (1).
 - Lift STOP WASHER (2), turn 90° and replace.
 - Replace SPRING CLIP (1).
 - Replace ADAPTER, HANDLE, SCREW, and INDEX BUTTON.



- AERATOR may accumulate dirt causing distorted and reduced water flow. Remove AERATOR and rinse clean.