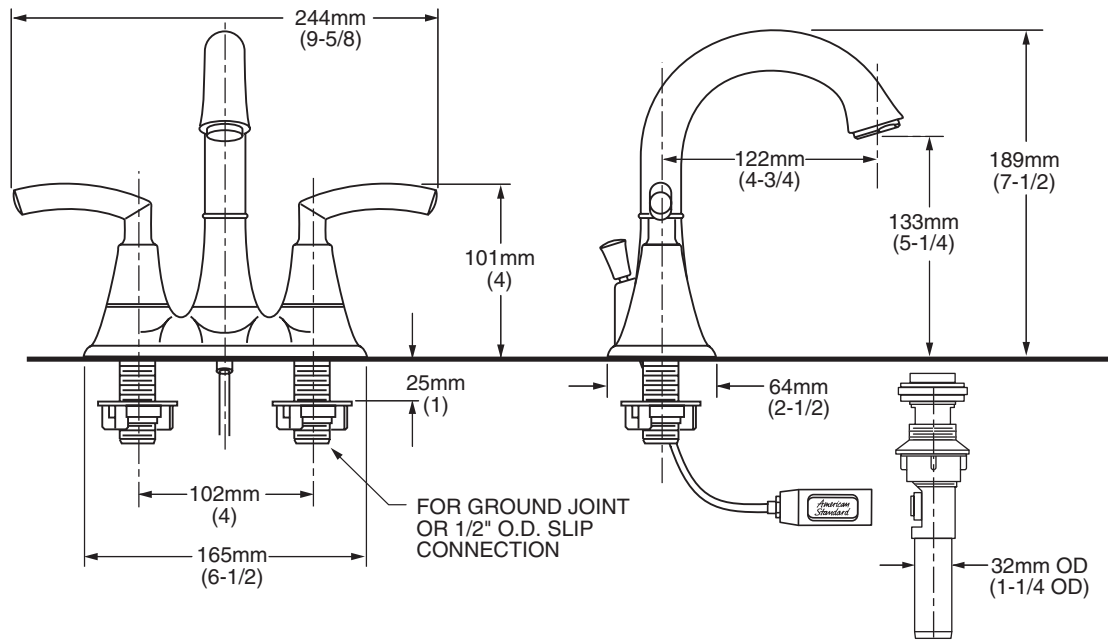


7034 Shown



GENERAL DESCRIPTION:

Durable cast brass spout and metal lever handles. Cast brass waterway with one-half inch male inlet shanks. 1/4 turn washerless ceramic disc valve cartridges. 20 inch (500mm) long flexible stainless steel drain cable is pre-assembled to faucet body. Non-Metallic Speed Connect™ drain body with 1-1/4" (32mm) tail piece. 2.2gpm / 8.3 L/min maximum flow rate.

PRODUCT FEATURES:

Cast Brass Spout and Waterway: Durable. Ideal for prolonged contact with water.

Ceramic Disc Valve Cartridges: Assure a lifetime of smooth handle operation and drip-free performance.

Low Lead: Meets NSF Standard 61/Section 9 & Prop 65 lead requirements.

Exclusive Speed Connect Drain:

- 1/3 the parts, installs in 1/3 the time.
- No tools or plumbers putty required for installation.
- No adjustments required - seals the first time, every time.
- Flexible stainless steel cable - installs effortlessly in tight spaces.

Lifetime Finish: Won't peel, tarnish or scratch.

Lifetime Warranty: On function and finish.

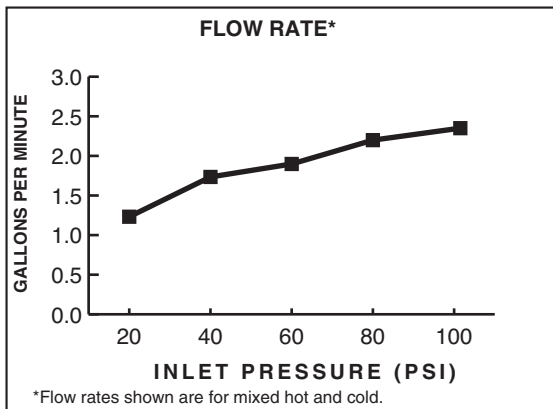
SUGGESTED SPECIFICATION:

4" centerset lavatory faucet shall feature a cast brass spout and waterway with 1/2" male inlet shanks. Shall feature 1/4 turn washerless ceramic disc valve cartridges. Shall also feature a plastic drain body with stainless steel cable actuation. Fitting shall be American Standard Model # 7034.____.


CODES AND STANDARDS

These products meet or exceed the following codes and standards:

- ANSI A117.1**
- ASME A112.18.1**
- CSA B 125**
- NSF 61/Section 9**



Product Number	Description
7034	Lavatory faucet with Non-Metallic Speed Connect™ Pop-up drain. Metal Lever handles. Chrome finish.

 Meets the American Disabilities Act Guidelines and **ANSI A117.1** Requirements for the physically challenged.