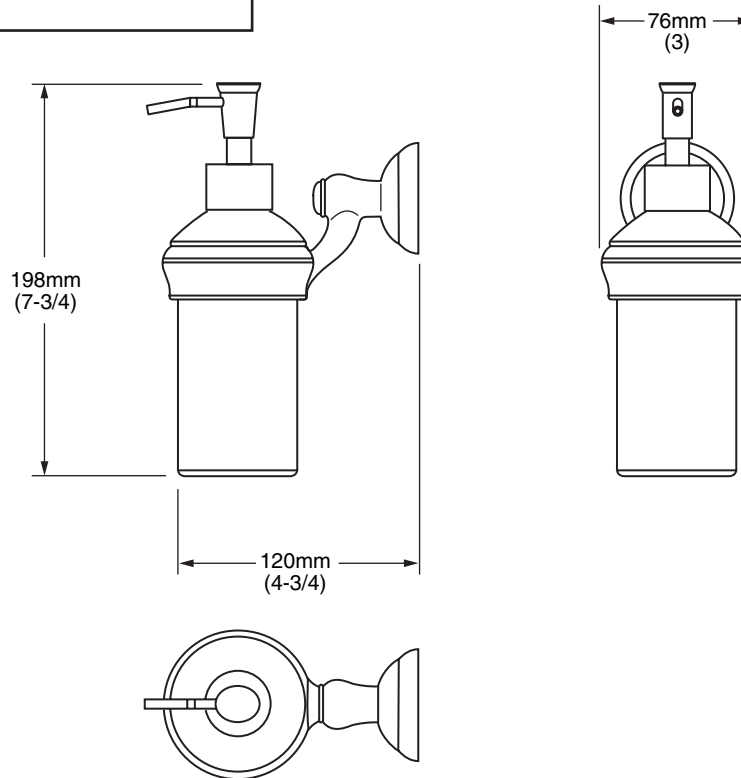


**MODEL NUMBER:**

■ 6751 SOAP/LOTION DISPENSER

**Available Finishes**

	Polished Chrome (no finish suffix needed)
S	Satin Nickel



**PRODUCT FEATURES:**

**Heavy duty construction:** Highest quality materials for durability & long life.

**Concealed Mounting:** No exposed set screws.

**Materials of Construction:** Body - zinc. Escutcheon - brass. Index button - porcelain. Soap/Lotion bottle - clear glass. Pump - zinc.

**Easy to Install**

**Choice of Finishes:** Chrome and Satin Nickel.

**SUGGESTED SPECIFICATION:**

Soap/Lotion Dispenser shall feature heavy-duty construction. Shall feature concealed mounting. Soap/Lotion bottle shall be clear glass. Soap/Lotion Dispenser shall be American Standard Model # 6751\_.