

American Standard



Installation Instructions

6750
6751
6761

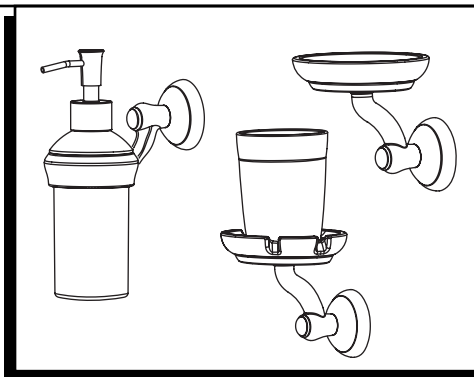
SOAP DISH SOAP/LOTION DISPENSER TUMBLER/TOOTHBRUSH HOLDER

Thank you for selecting American-Standard...the benchmark of fine quality for over 100 years.

To ensure that your installation proceeds smoothly—please read these instructions carefully before you begin.

Certified to comply with ANSI A112.18.1

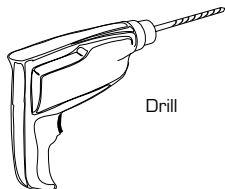
M968407B



Recommended Tools



Tape Measure



Drill



Regular Screwdriver



Phillips Screwdriver

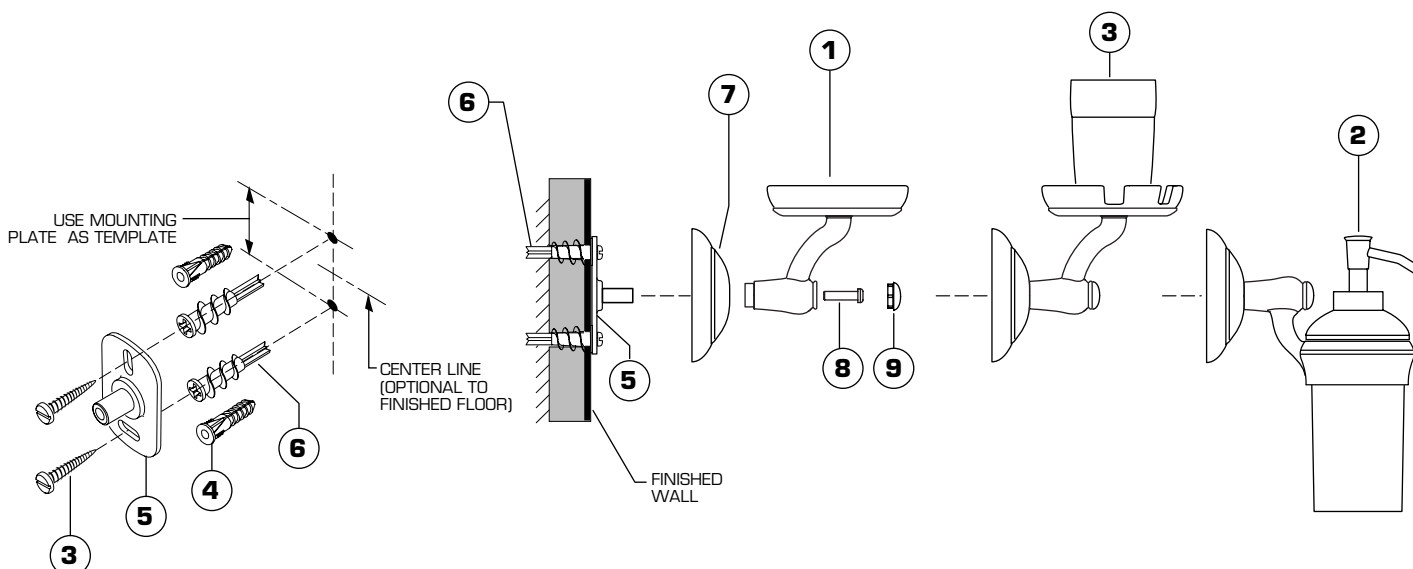
CARE INSTRUCTIONS:

DO: SIMPLY RINSE THE PRODUCT CLEAN WITH CLEAR WATER. DRY WITH A SOFT COTTON FLANNEL CLOTH.

DO NOT: CLEAN THE PRODUCT WITH SOAPS, ACID, POLISH, ABRASIVES, HARSH CLEANERS, OR A CLOTH WITH A COARSE SURFACE.

1 SOAP DISH, SOAP/LOTION DISPENSER, TUMBLER/TOOTHBRUSH HOLDER MOUNTING & INSTALLATION

- The SOAP DISH (1), SOAP/LOTION DISPENSER (2) and TUMBLER/TOOTHBRUSH HOLDER (3) work best if secured to a wall stud or cross brace within the wall, using the SCREWS (3) supplied.
- Determine desired height and location (optional) and mark a center line. Using the MOUNTING PLATE (5) as a template mark the two spots for the mounting holes. If MOUNTING PLATE (5) is secured to a stud or cross brace drill small pilot holes for SCREWS (3).
- **For installations on drywall**, use DRYWALL ANCHORS (6) and SCREWS (3) for securing MOUNTING PLATE (5) to wall. Place #2 Phillips screwdriver or cordless screwdriver into recess of anchor. Press into drywall while turning the anchor clockwise until it is seated flush with the wall. Place MOUNTING PLATE (5) over DRYWALL ANCHORS (6) and insert SCREWS (3) with #2 Phillips screwdriver. See illustration below. Secure MOUNTING PLATE (5) to wall with SCREWS (3).
- **For installations on tiled walls**, If TILE ANCHORS (4) and SCREWS (3) are used for securing MOUNTING PLATE (5), then drill two 1/4" diameter holes a minimum of 1-1/4" deep. Insert the two TILE ANCHORS (4) flush with face of the finished wall. Secure MOUNTING PLATE (5) to wall with SCREWS (3).
- Install the WALL ESCUTCHEON (7) on the MOUNTING PLATE (5). Place the SOAP DISH (1), SOAP/LOTION DISPENSER (2) or TUMBLER/TOOTHBRUSH HOLDER (3) into the ESCUTCHEON (7). Align and secure with MOUNTING SCREW (8). Tighten fully.
- Push INDEX BUTTON (9) into SOAP DISH (1), SOAP/LOTION DISPENSER (2) and TUMBLER/TOOTHBRUSH HOLDER (3). See illustration.



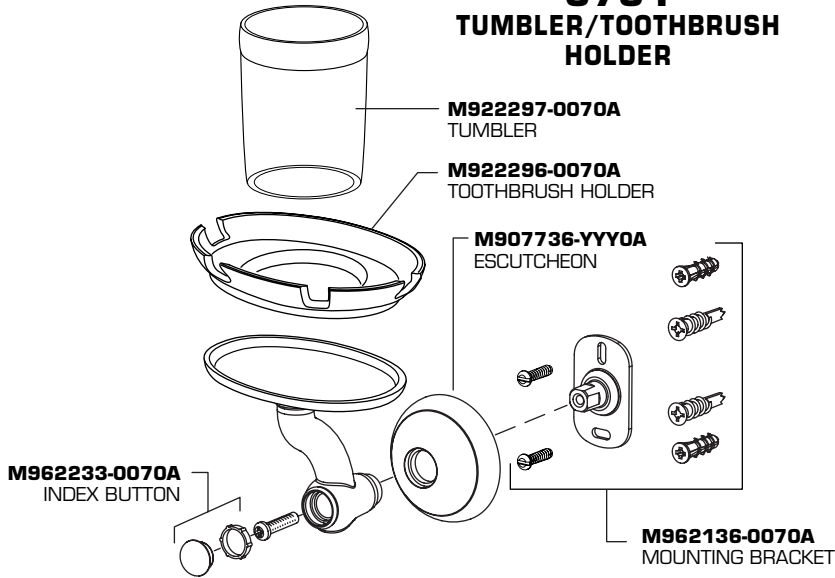
NOTE; For best installation results use:

- No Anchors, Screws (3) directly secured to reinforcement studs
- ANCHORS (4) for tile or plaster walls
- E-Z ANCHORS (6) for dry wall

American Standard



6761 TUMBLER/TOOTHBRUSH HOLDER



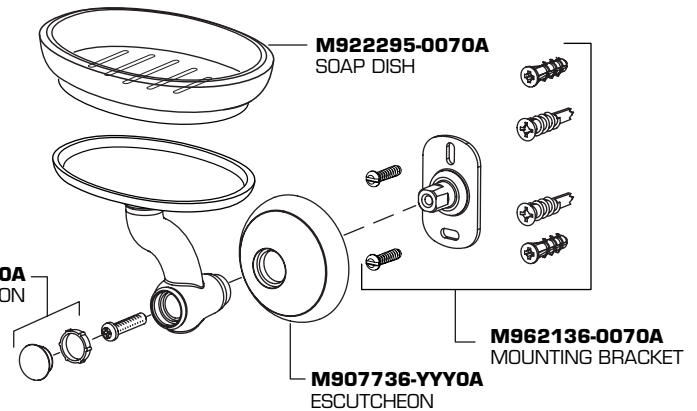
ACCESSORIES

SOAP DISH SOAP/LOTION DISPENSER TUMBLER/TOOTHBRUSH HOLDER

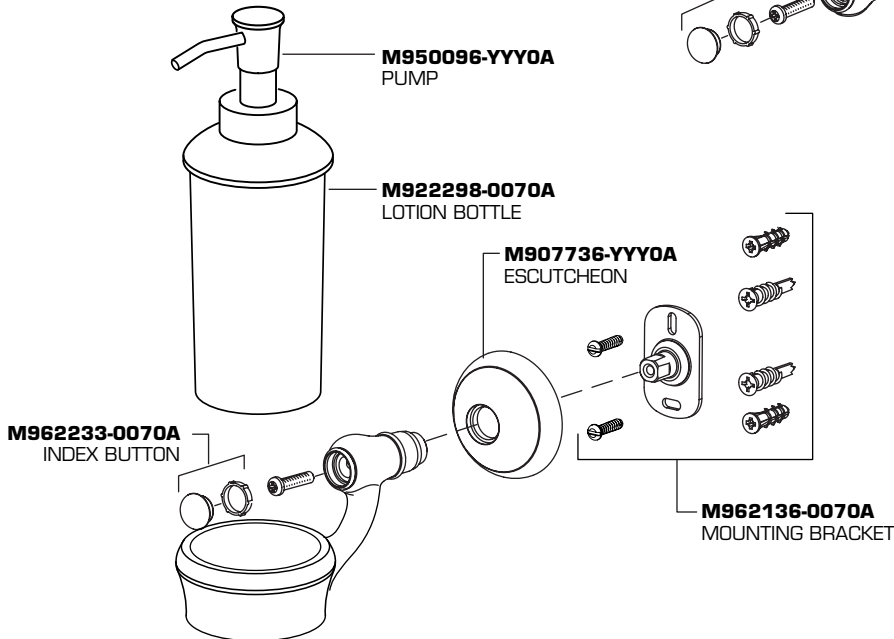
MODEL NUMBERS

6750
6751
6761

6750 SOAP DISH



6751 SOAP/LOTION DISPENSER



Replace the "YYY" with appropriate finish code

CHROME	002
SATIN	295



HOT LINE FOR HELP
For toll-free information and answers to your questions, call:
1-800-442-1902
Weekdays 8:00 a.m. to 8:00 p.m. EST

IN CANADA 1-800-387-0369 (TORONTO 1-905-306-1093)
Weekdays 8:00 a.m. to 7:00 p.m. EST

Product names listed herein are trademarks of American Standard Inc.
© American Standard Inc. 2003

M968407B